

CARE AND MAINTENANCE

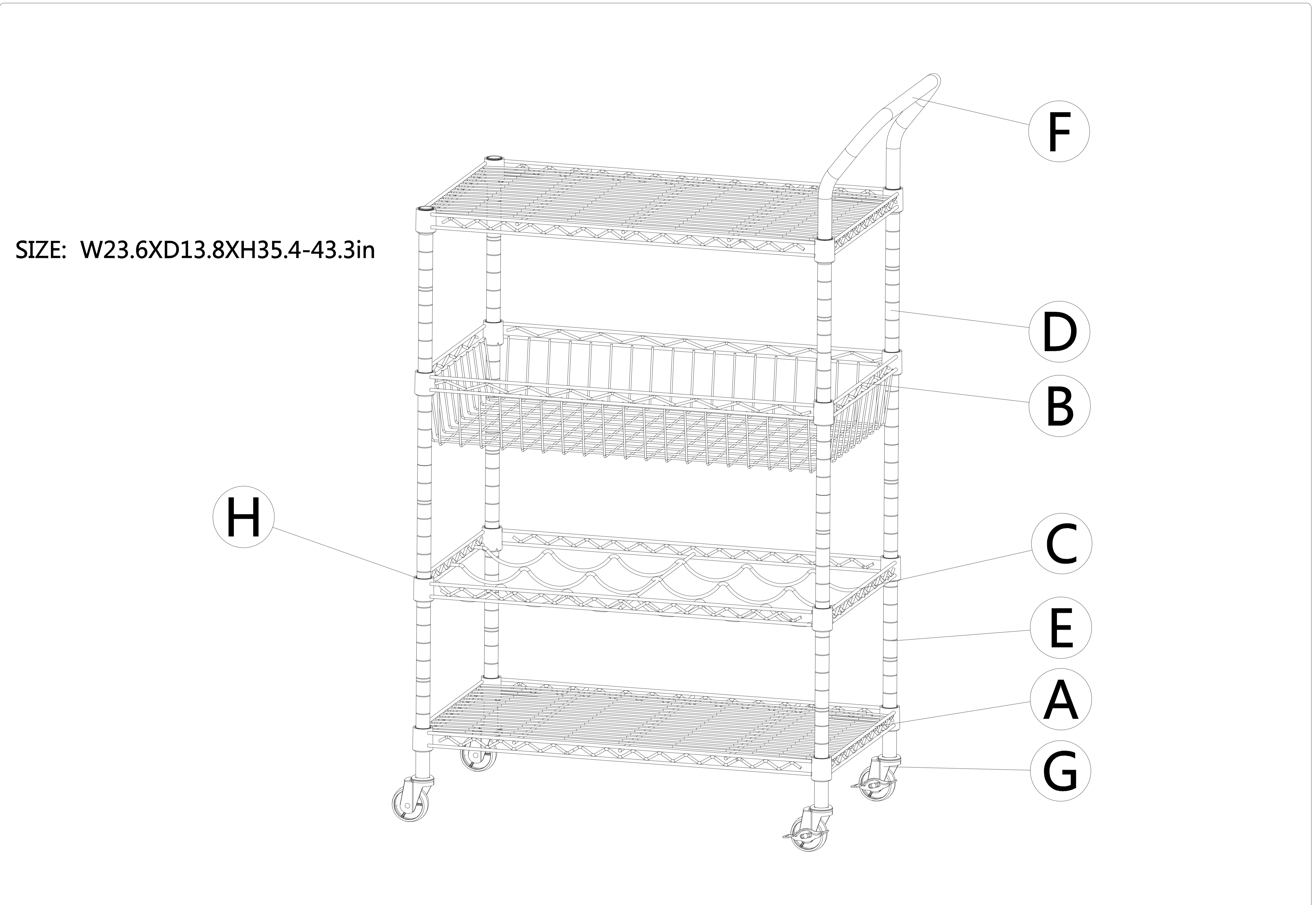
Never use abrasive or acid-based cleaners on the shelf rack.

Clean shelves and rods with a solution of mild detergent and water .Use a soft cloth or sponge to wipe parts.Rinse and dry thoroughly.Keep surfaces dry and clean for a longer lasting finish.

NOTICE

Please read and understand these instructions before attempting to assemble,operate or install the product.

- Two adults required for a assembly.
- Do not allow children to climb or play in or around the shelves .
- Each shelf holds up to 110 Ibs.When items are evenly distributed.
- Assemble on a soft surface,such as carpeting to avoid scratching the finish .



No.	A	B	C	D	E	F	G	H
Name	Wire Shelf	Wire Basket	Wine Shelf	Upper- Pole	Lower- Pole	Upper-Handle	2" PP Screw casters	Plastic Clip
Parts								
Quantity	2PCS	1PC	1PC	4PCS	4PCS	1PC	4PCS	32PCS

PREPARATION

1.Before beginning assembly of product,make sure all parts are present.Compare parts with package contents list and hardware contents .If any parts is missing or damaged,do not attempt to assemble the product .

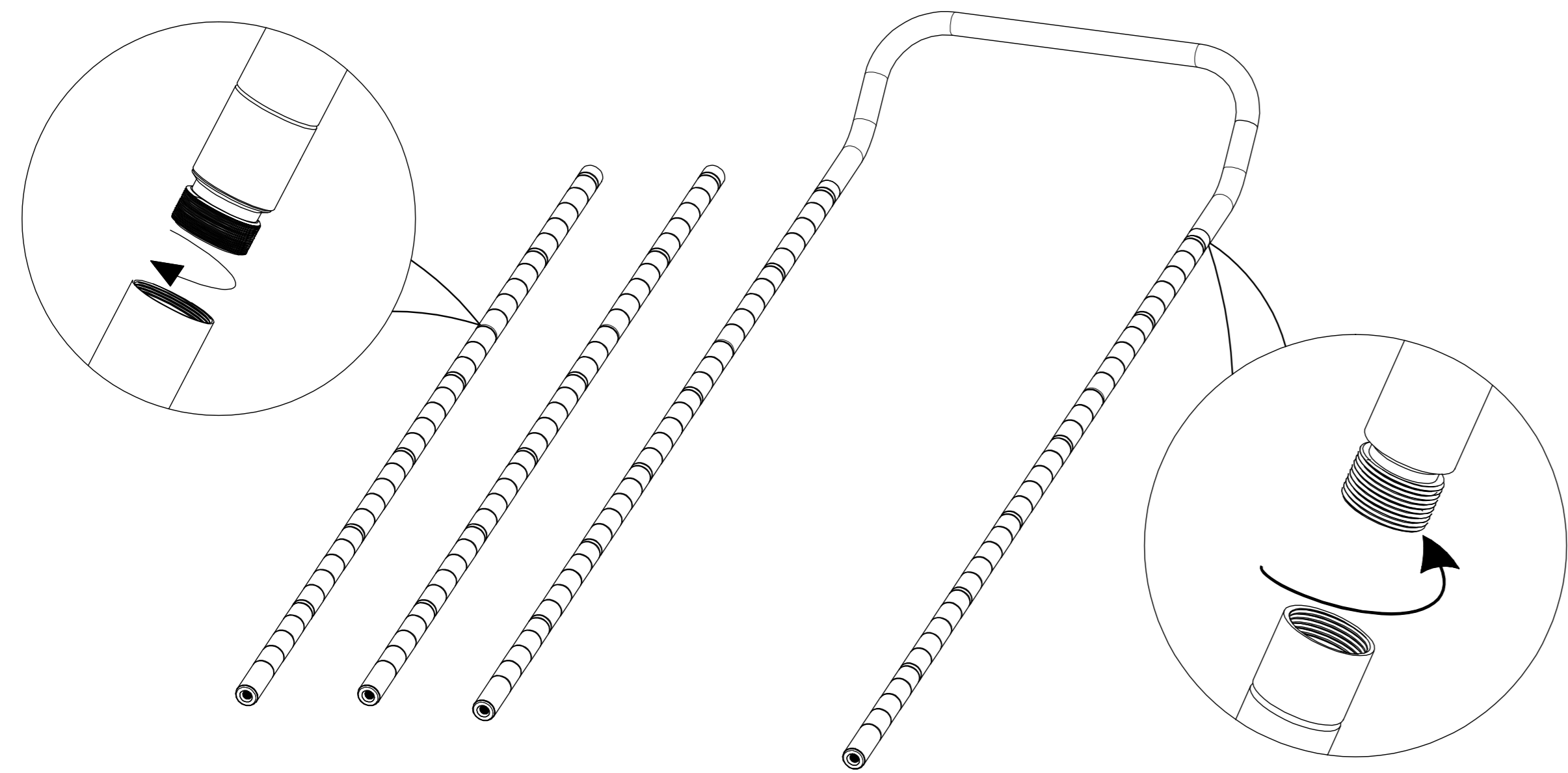
2.Estimated Assembly Time :Approximately 15-20 minutes.

3.Helpful Tools(not included):Rubber Mallet.

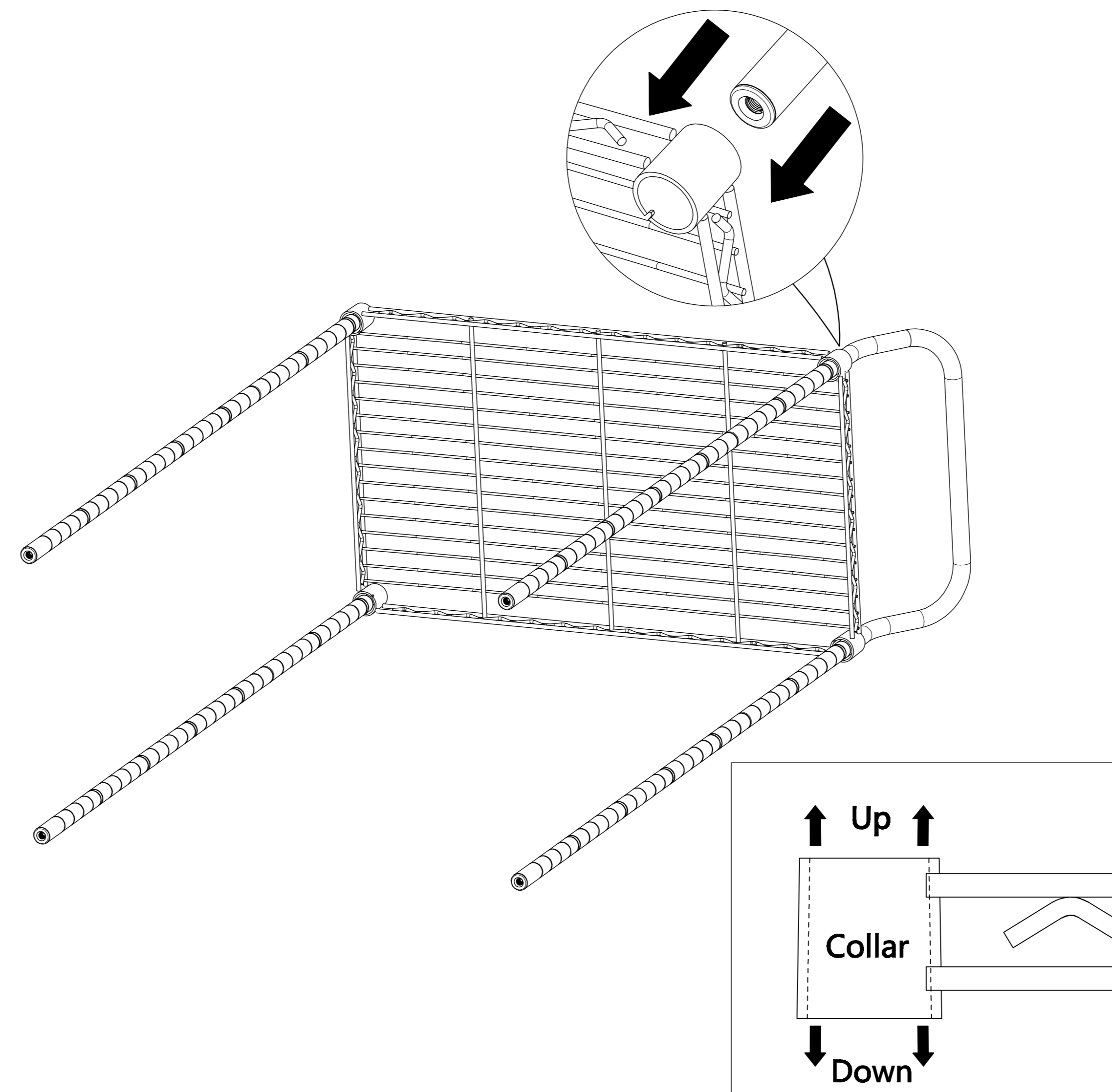
4.Tools Required for Assembly (included): Wrench.

Assembly Steps:

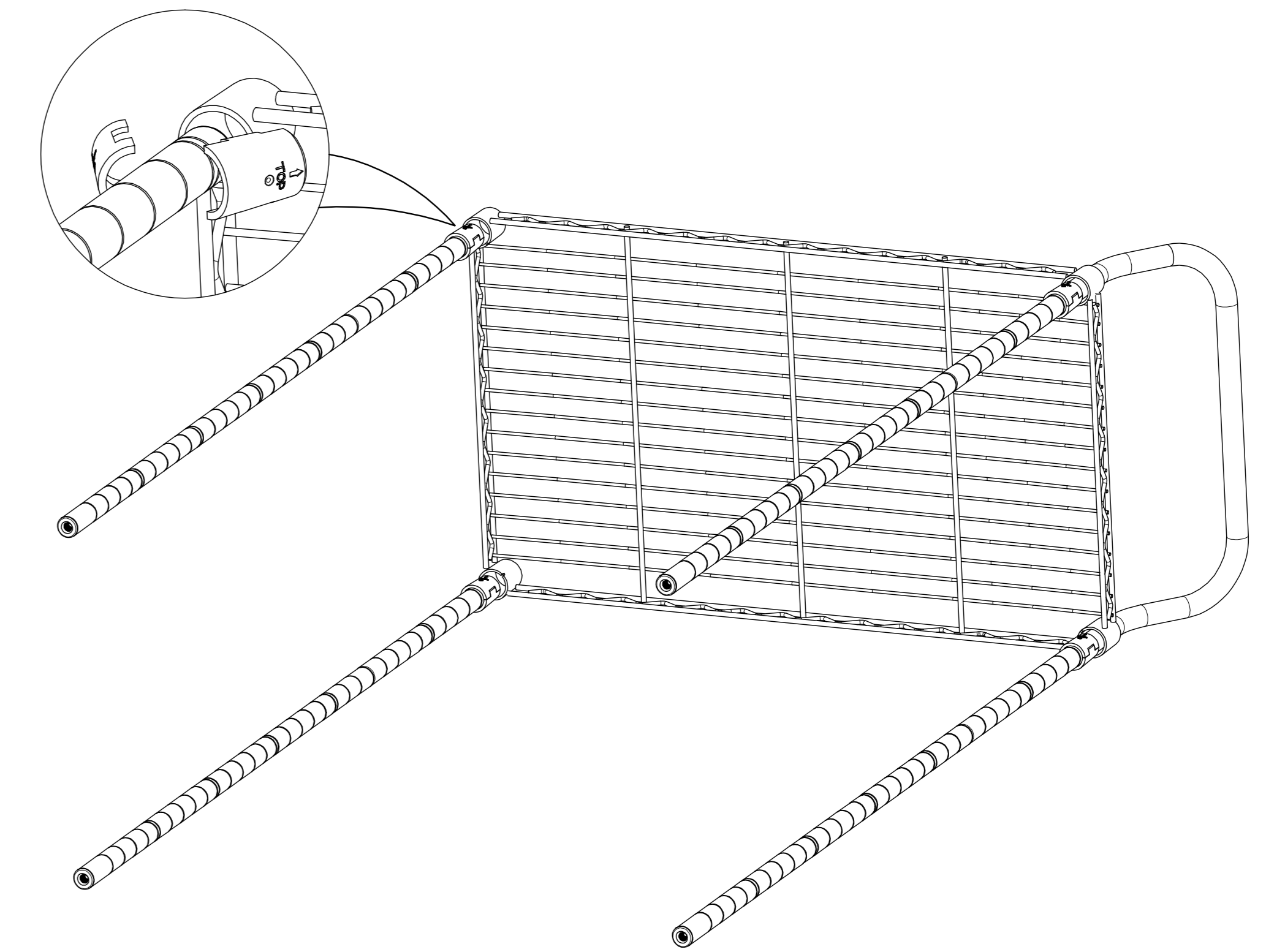
- 1** First connect the Lower-pole(E) into the Upper-pole(D) and the Upper-handle(F) by screw connectors which is already assembled on upper-pole.



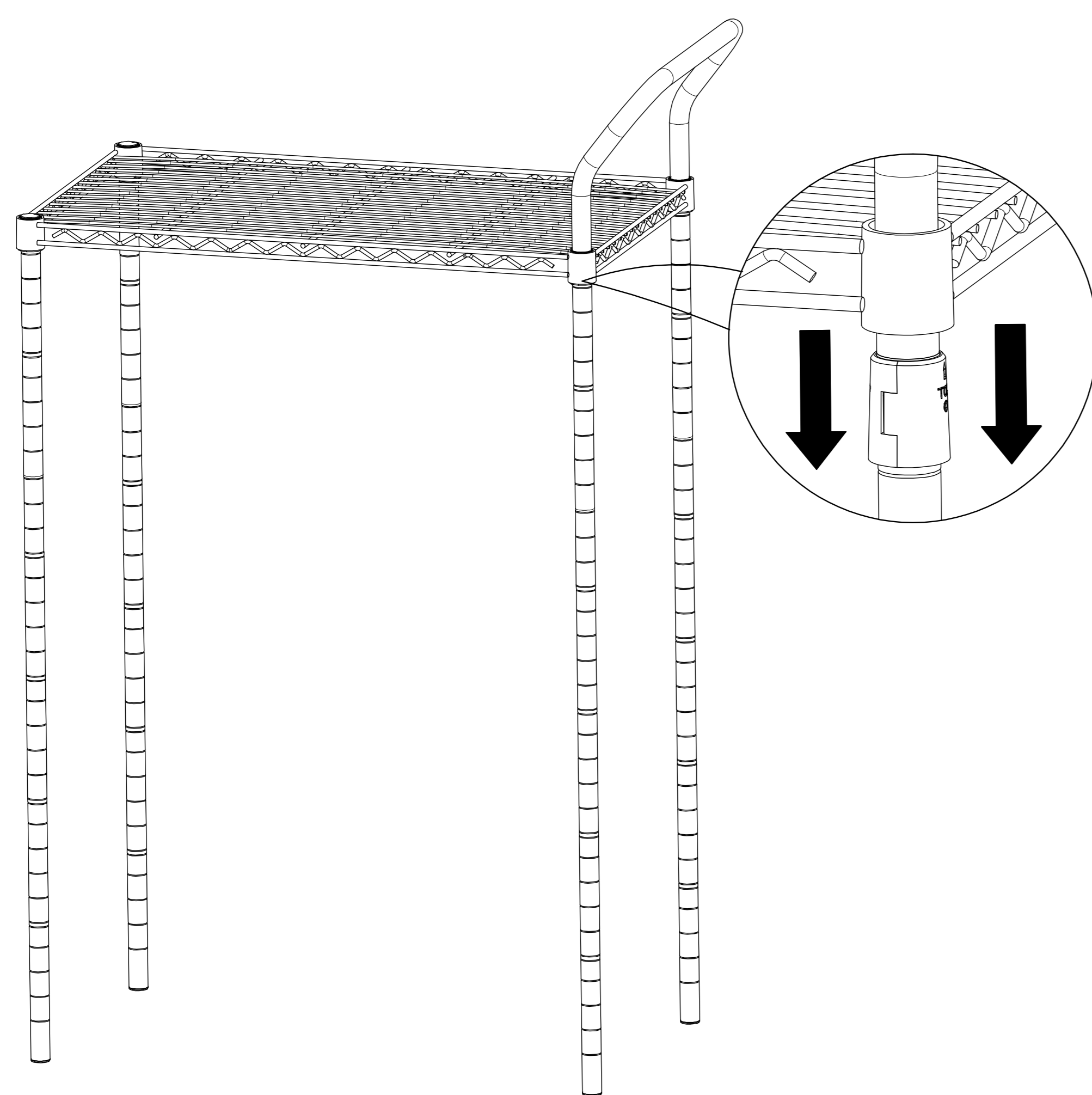
- 2** Put a piece of Wire Shelf(A) the correct way up, make the pole with upper-handle inserted into the shelf corner from the top to the bottom as the photo.



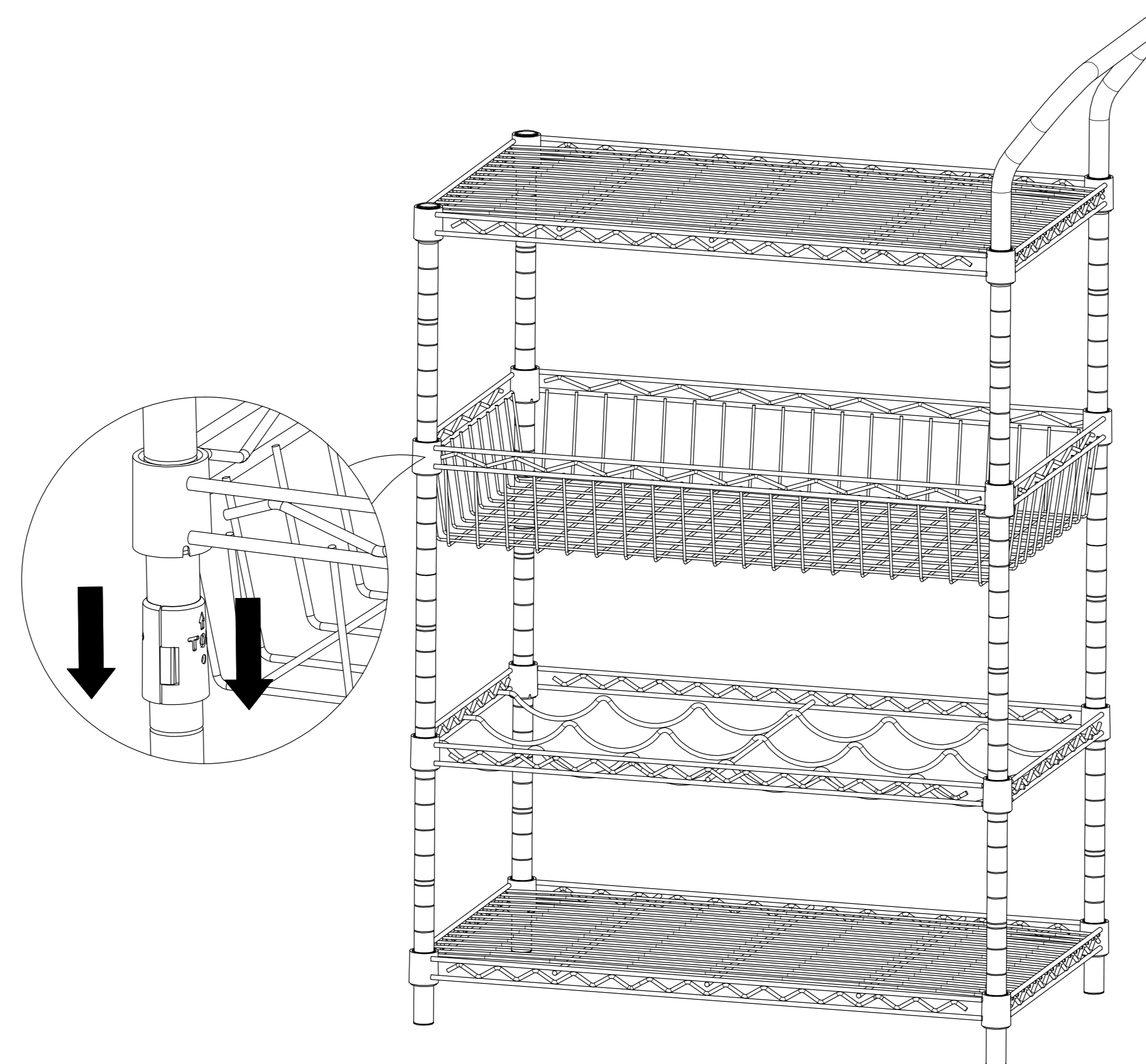
- 3** Then hold the wire shelf up and snap the Plastic Clips(H) onto the post grooves under the wire shelf as the photo.



- 4** Pressing down the wire shelf to make it tight.



- 5** Repeat the step ②&③&④ to assemble the Wine Shelf(C) and the Wire Basket(B).



- 6** Finally, screw 2" PP Casters(G) into the bottom of the pole as photo. Pushing firmly down on every shelf at corners by rubber mallet to ensure the shelf in place cover the Plastic Clips(H).

