

BROTHER CHAIR



INSTRUCTION MANUAL

ASSEMBLY INSTRUCTIONS:

- Our clear, easy-to-follow, step-by-step instructions will guide you through the project from start to finish.
- Do not skip any steps. It is of utmost importance to assemble all of the parts according to the directions.
- Item identification: For ease of identification, all parts are labeled to correspond to the step number in which the part is used.


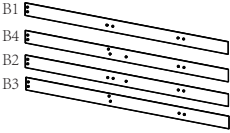
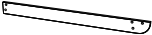


IMPORTANT:

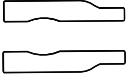
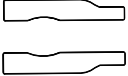

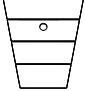
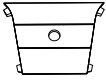

- Read following instructions carefully before using the chair.
- Be aware that some parts are heavy and have sharp edges.
- Do not overtighten screws (Insert all screws before tighten screws).
- Firmly secure all bolts, screws and nuts before use.
- Please do not exceed the weight limitations of this item.
- Reconfirm that all bolts, screws, and nuts are secure every 90 days.

CARE & SAFETY:

- Always use on firm level ground.
- Keep all children and pets away from assembly area. Children and pets should be supervised while the product is being assembled.
- The assembled product should be located at least 6 feet (2 m) from any obstruction such as fence, garage, house, overhanging branches, laundry lines or electrical wires.
- Do not use or store this item in the proximity of open flame or flammable/combustible chemicals.
- In case of fire, do not attempt to extinguish any burning polypropylene with water.
- Be very careful when folding chair to avoid smashing your hands or fingers.
- Please contact Customer Service if you have any problems or discover any missing parts.

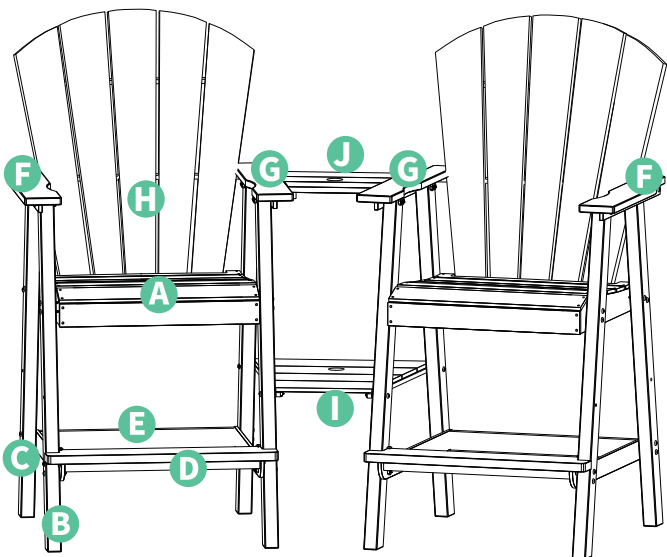
ASSEMBLY PARTS

Item No.	Reference Image	Qty
A		x2
B		x2
C		x4
D		x2
E		x2





Item No.	Reference Image	Qty
F		x1
G		x1
H		x2
I		x1
J		x1
		x2

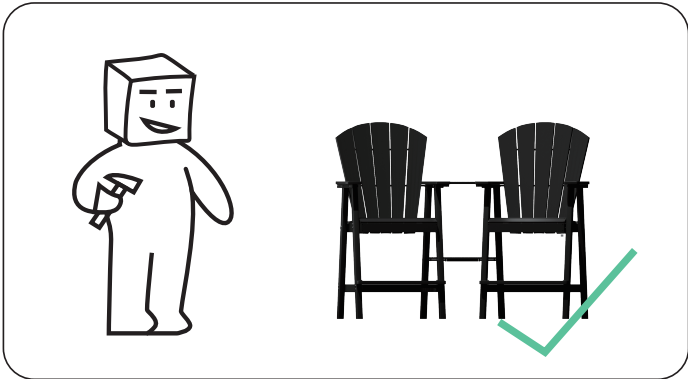
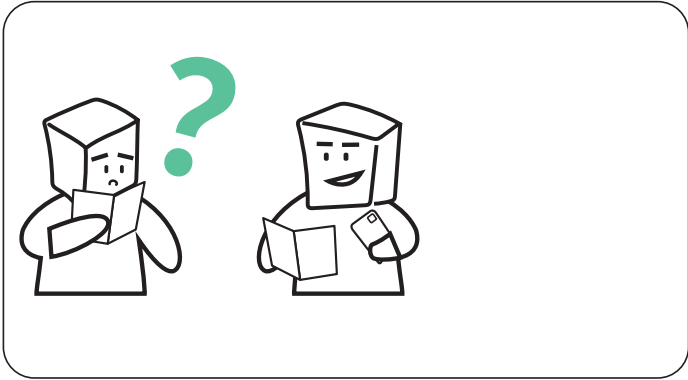
LEFT CHAIR

RIGHT CHAIR



M6*70 BOLT	M6*60 SCREW	M6.3*80 SCREW	M6*60 BOLT	M6*45 BOLT
 1	 2	 3	 4	 5
16PCS	4PCS	12PCS	16PCS	12PCS

M6*40 SCREW	M6 NUT	WRENCH	ALLEN WRENCH
 6	 7	 8	 9
8PCS	32PCS	1PCS	1PCS



STEP1



B₁ x1



C x1

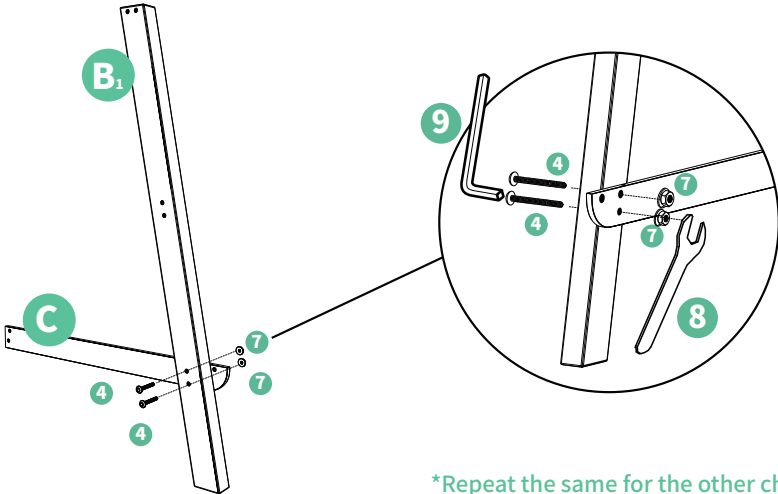


4 x2



7 x2

LEFT CHAIR



*Repeat the same for the other chair.

STEP2



B₂ x1



C x1

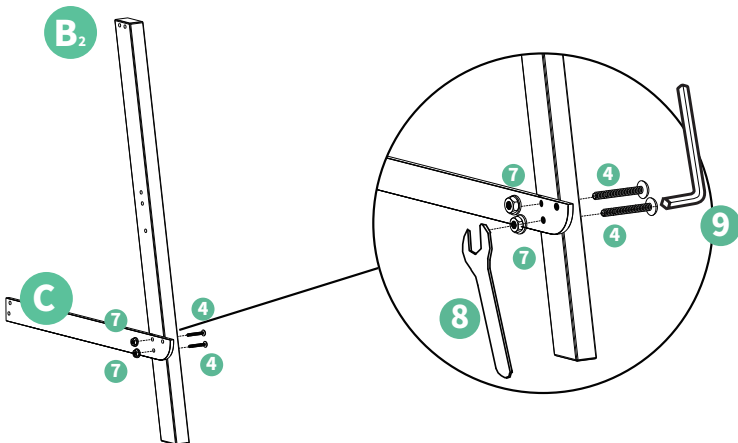


4 x2



7 x2

LEFT CHAIR



*Repeat the same for the other chair.

STEP3

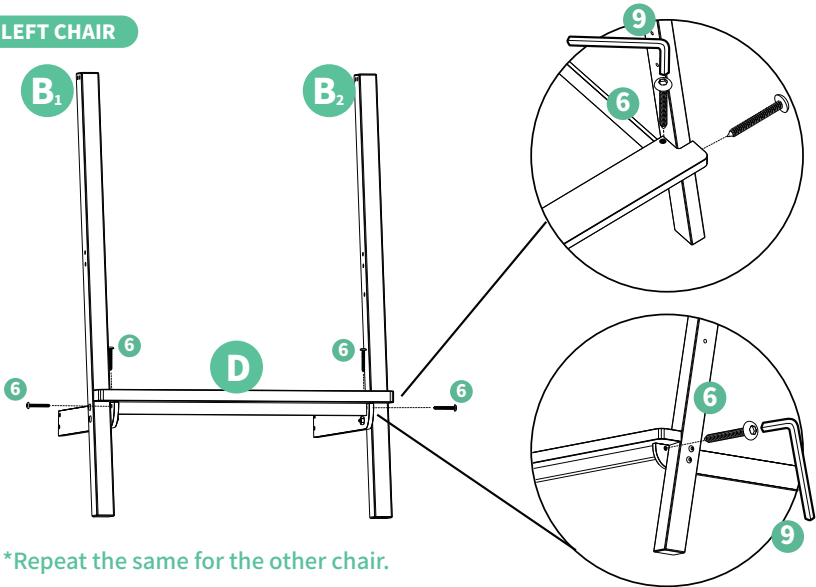


D x1



6 x4

LEFT CHAIR



*Repeat the same for the other chair.

STEP4



B₃ x1



B₄ x1

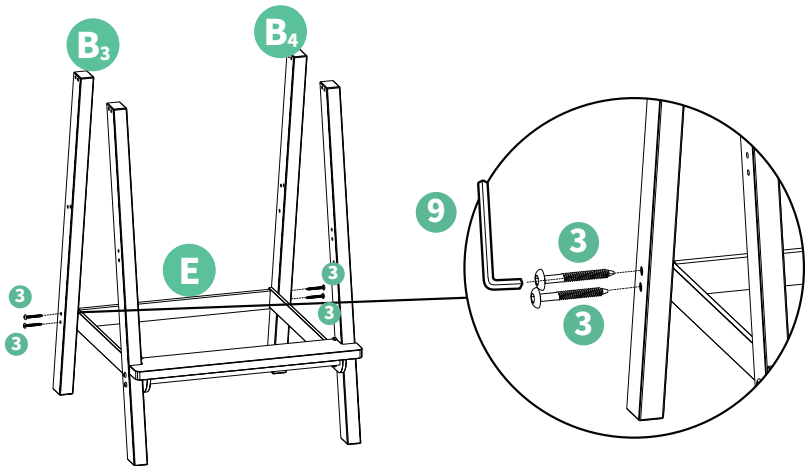


E x1



3 x4

LEFT CHAIR



*Repeat the same for the other chair.

STEP 5



A x1



4 x4

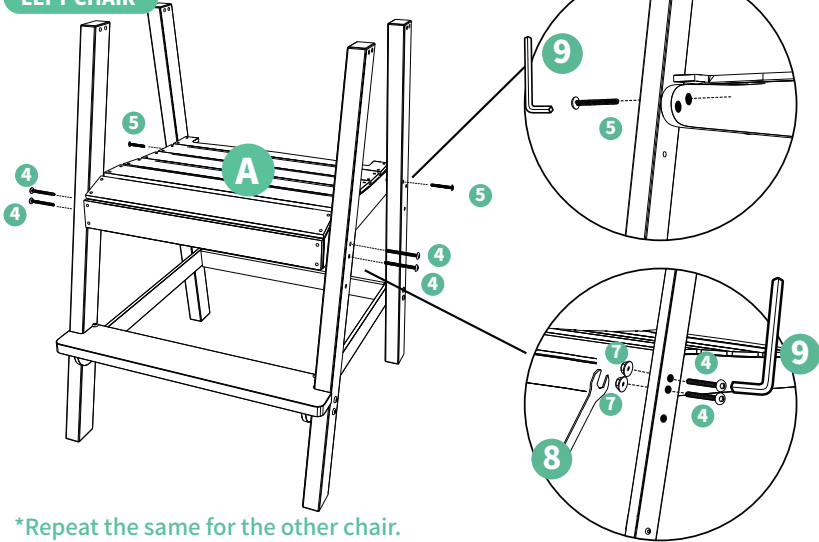


5 x2



7 x4

LEFT CHAIR



*Repeat the same for the other chair.

STEP 6



F x1



G x1



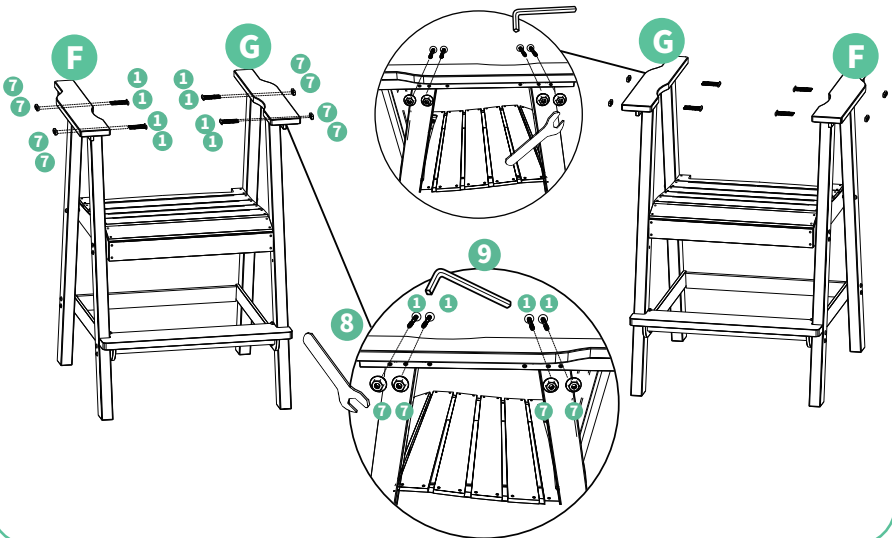
1 x16



7 x16

LEFT CHAIR

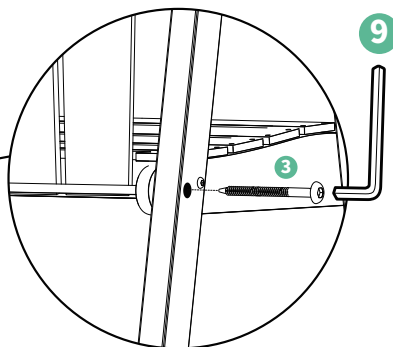
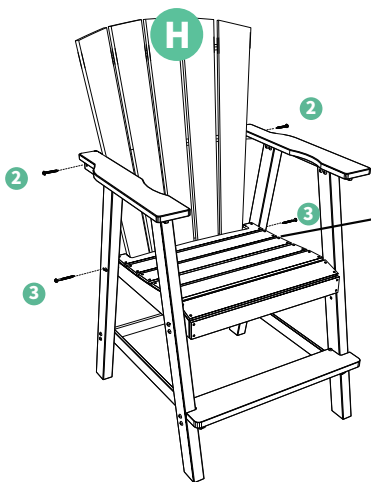
RIGHT CHAIR



STEP 7

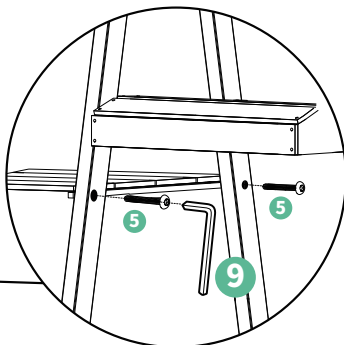
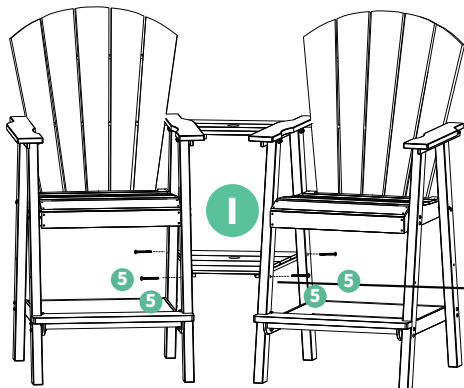


LEFT CHAIR



*Repeat the same for the other chair.

STEP 8



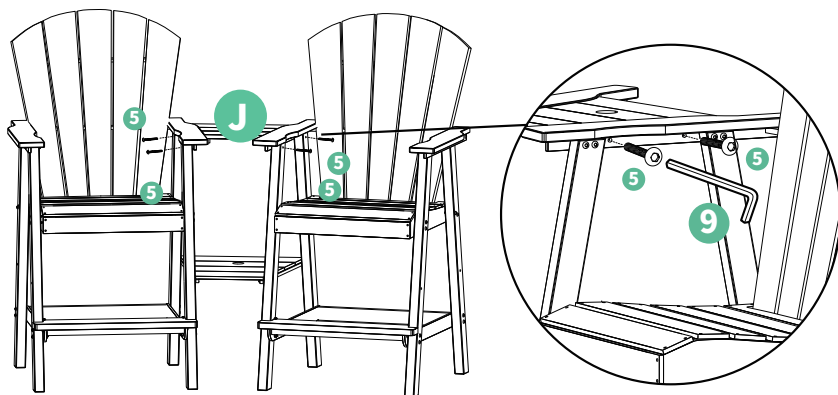
STEP 9



J x1



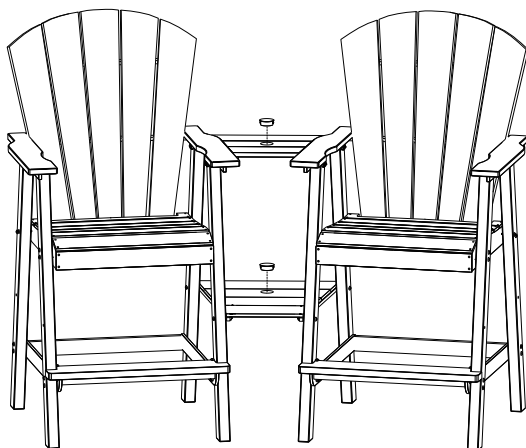
5 x4



STEP 10



x2



INSTALLATION COMPLETED



**PAY ATTENTION
DO NOT EXCEED THE MAXIMUM
LOAD OF 380LBS**