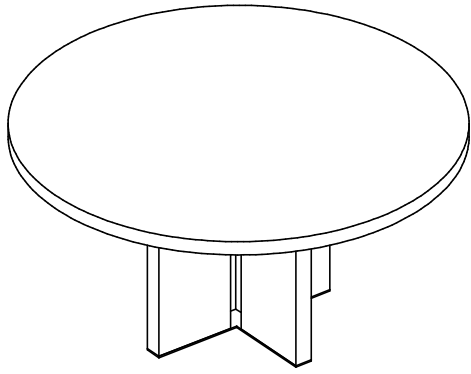
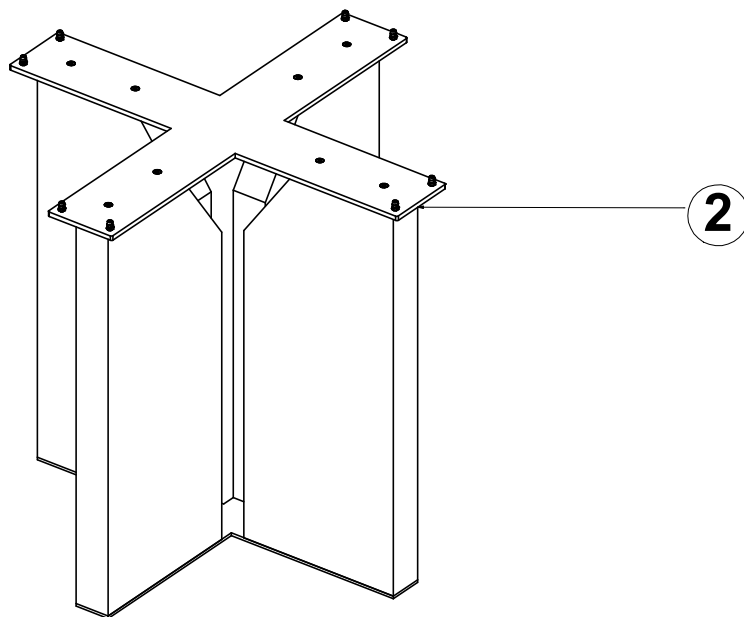
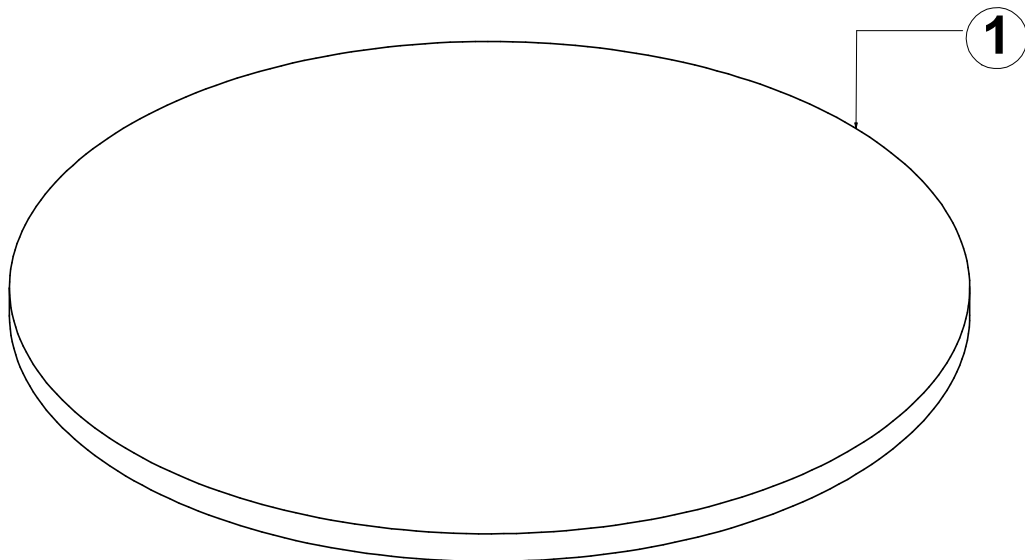


ASSEMBLY INSTRUCTION FOR ERNEST: ROUND DINING TABLE

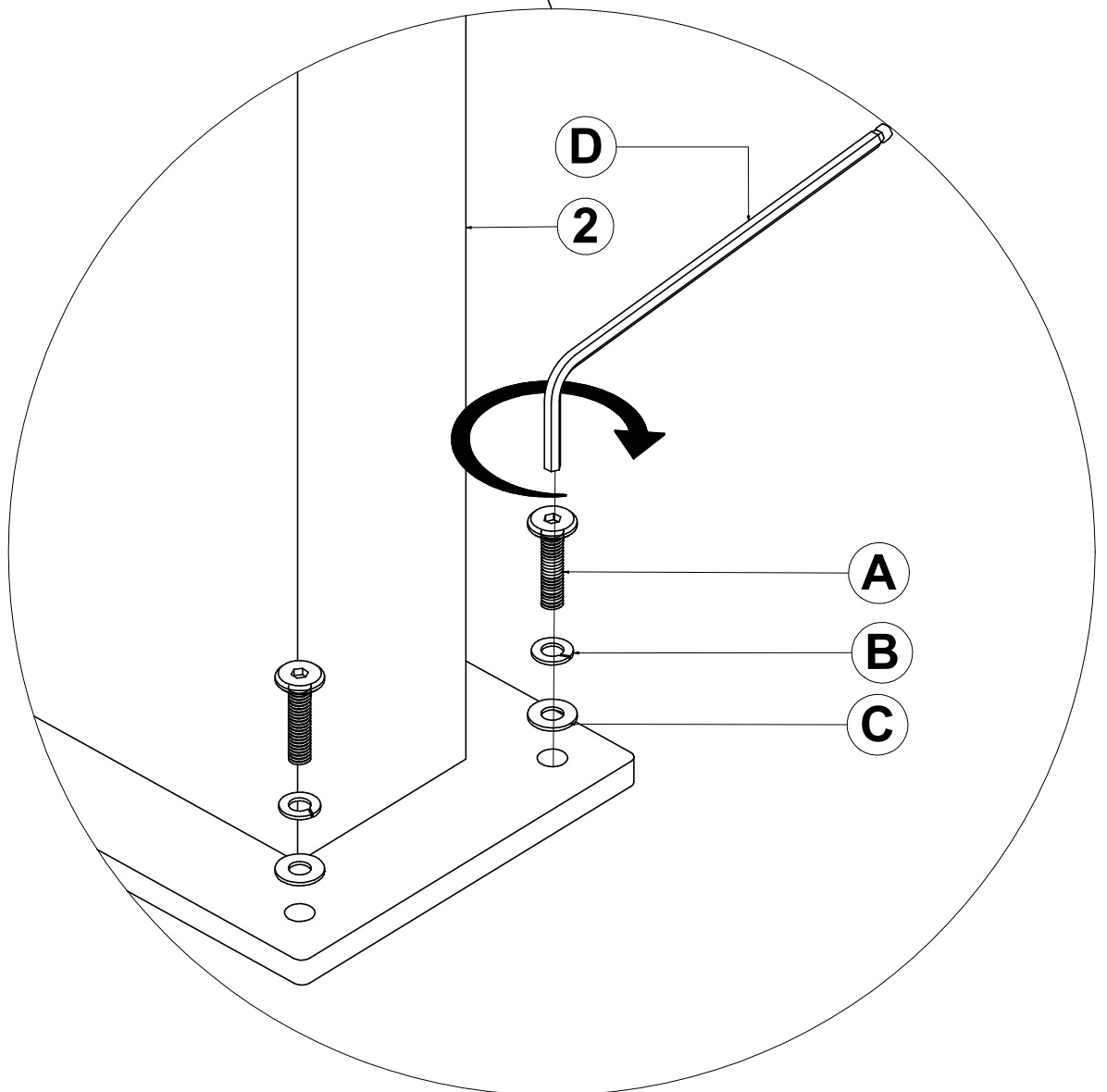
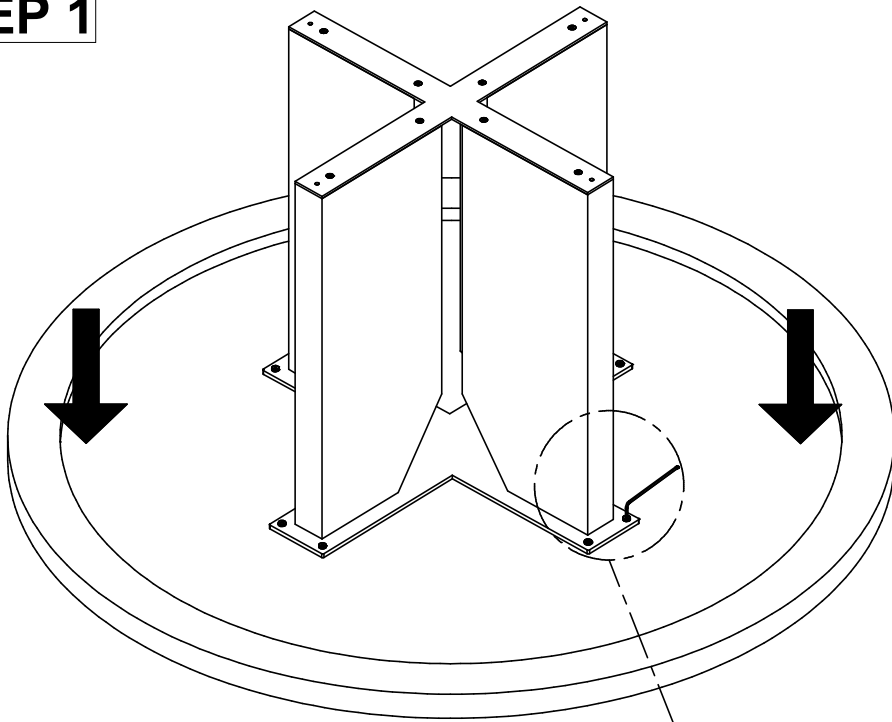


HARDWARE LIST

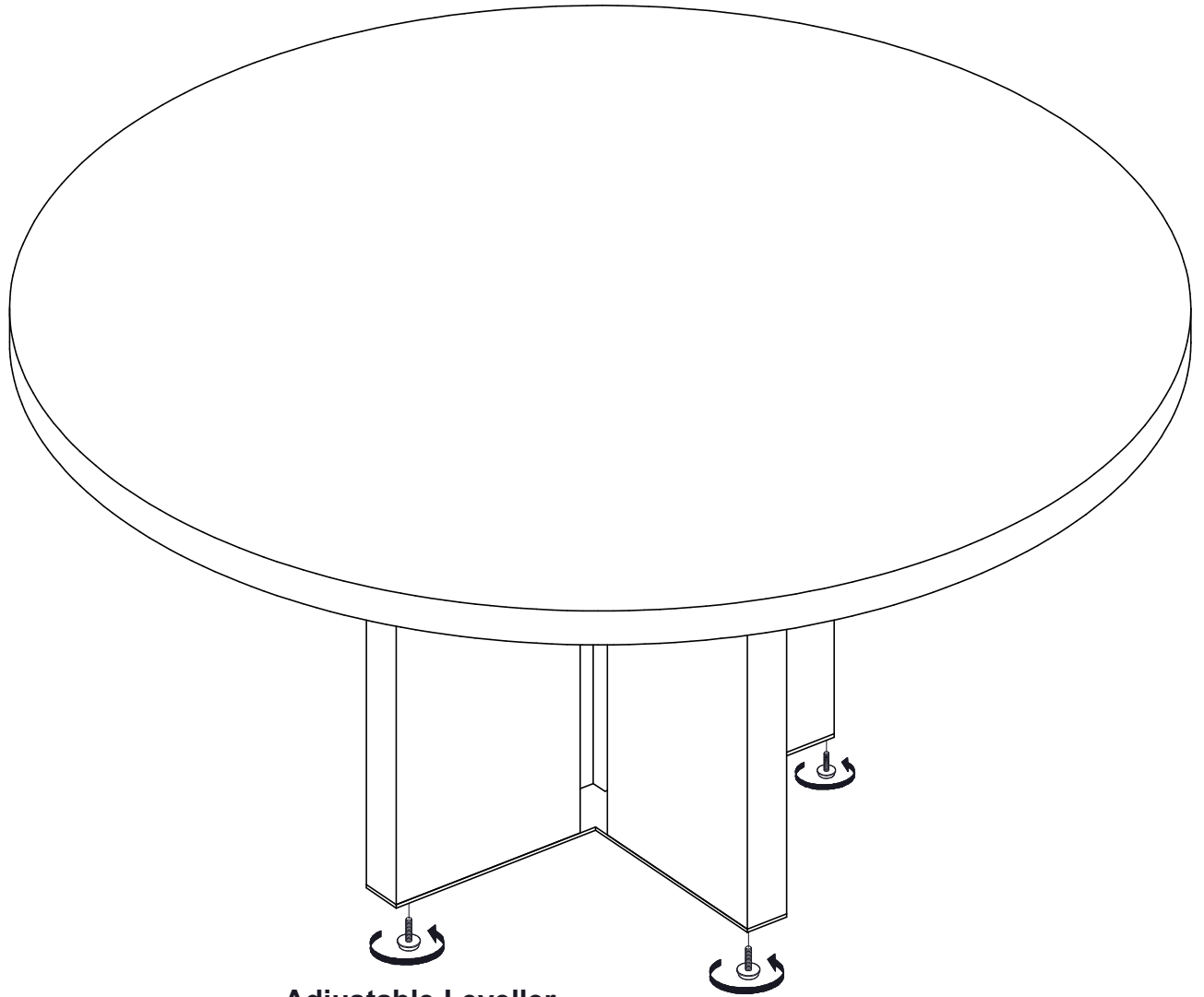
A		BOLT M6 X 25	6mm x 25mm	8
B		LOCK WASHER	Ø6mm x 10mm	8
C		FLAT WASHER	Ø6mm x 13mm	8
D		ALLEN KEY	4mm	1



STEP 1



STEP 2



Adjustable Leveller