

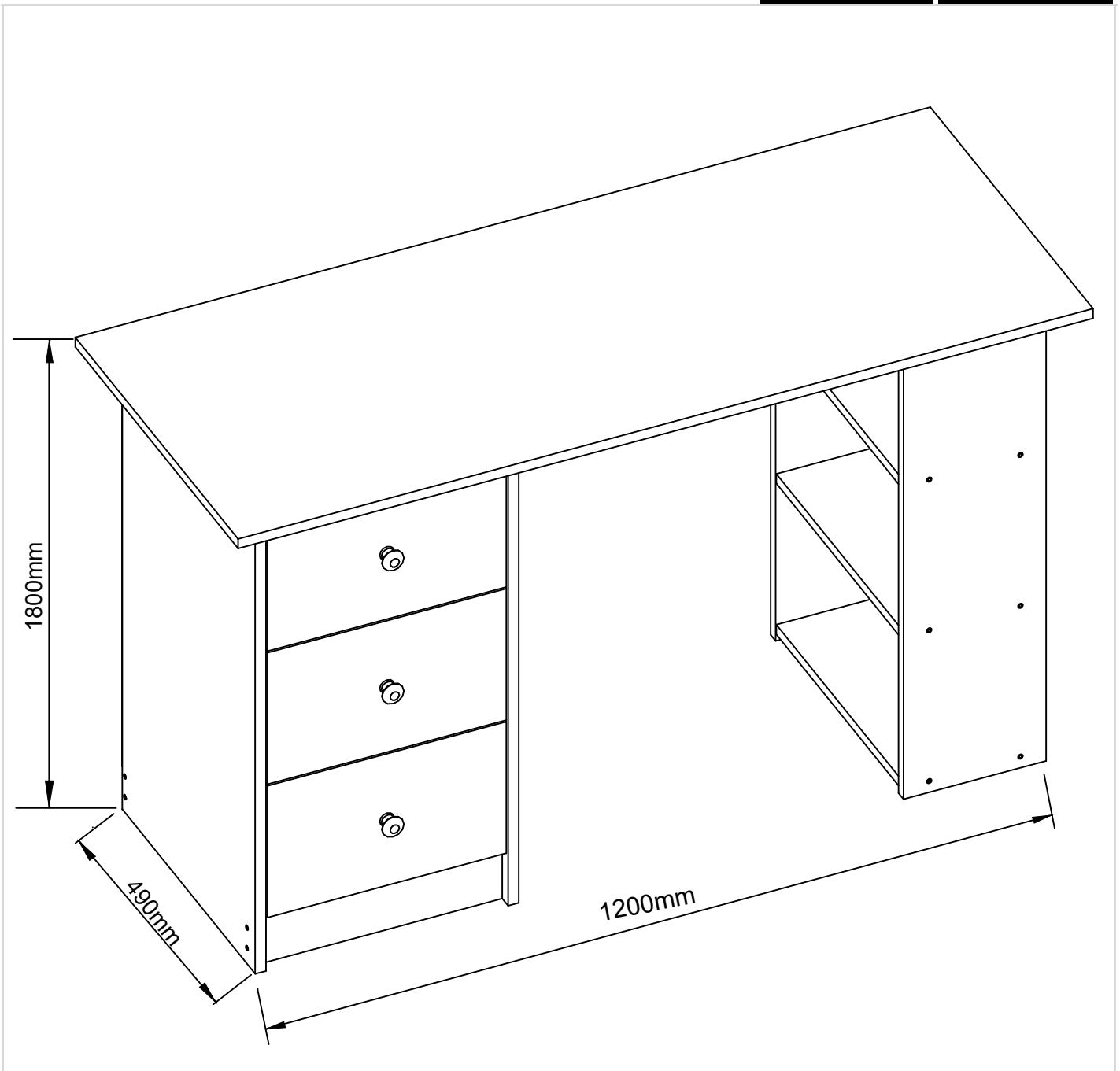
# GLOBAL PROCUREMENT AND MARKETING LIMITED

## DESK WITH THREE DRAWERS AND THREE SHELVES

Assembly Instructions – Please keep for future reference

DESCAMGRA

DESCAMGRY



Dimensions	No. people	Assembly Time	SKU #
Width: 120cm Depth: 49cm Height: 72cm		60 mins (approx.)	DESLAN

*thank you*

For purchasing this  
**GPM Limited**  
product

### Important

- PLEASE READ THESE INSTRUCTIONS FULLY BEFORE STARTING ASSEMBLY
- PLEASE DO NOT THROW THE PACKAGING AWAY UNTIL YOU ARE SATISFIED WITH PURCHASE, GOODS NEED TO BE RETURNED IN ORIGINAL PACKAGING.

If you need help or have damaged or missing parts, please email [aftersales@gpmfurniture.co.uk](mailto:aftersales@gpmfurniture.co.uk)

# ⚠ Safety and Care Advice

**Important** – Please read these instructions fully before starting assembly

- Check you have all the components and tools listed on pages 4 and 5.
- Remove all fittings from the plastic bags and separate them into their groups.
- Keep children and animals away from the work area, small parts could choke if swallowed.
- Make sure you have enough space to lay out the parts before starting.
- Do not stand or put weight on the product, this could cause damage.
- Assemble the item as close to its final position (in the same room) as possible.
- Assemble on a soft, level surface to avoid damaging the unit or your floor.
- We do not recommend the use of power drill/drivers for inserting screws, as this could damage the unit. Only use hand screwdrivers.
- Dispose of all packaging carefully and responsibly.



use of power drill/drivers for inserting screws, as this could damage the unit.

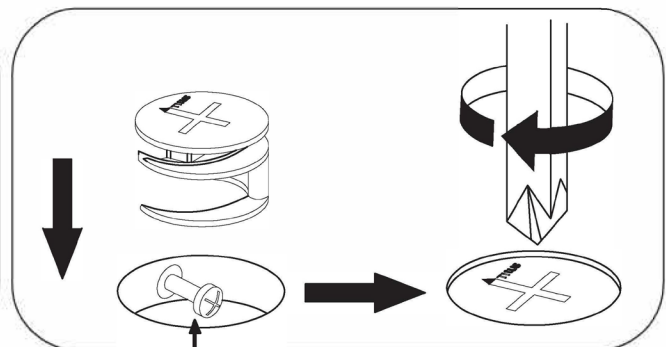
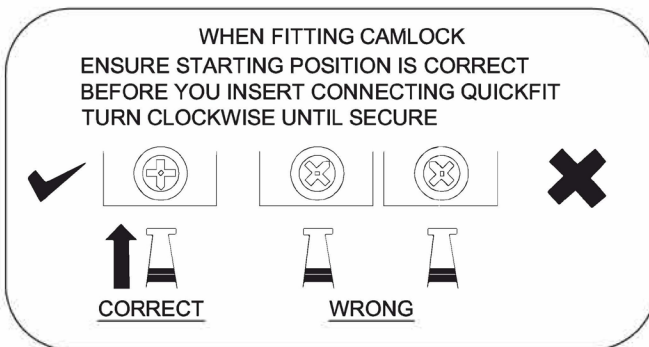
Only use hand screwdrivers.

- Dispose of all packaging carefully and responsibly.

## Care and Maintenance

- Only clean using a damp cloth and mild detergent, do not use bleach or abrasive cleaners.
- From time to time check that there are no loose screws on this unit.
- This product should not be discarded with household waste. Take to your local authority waste disposal centre.

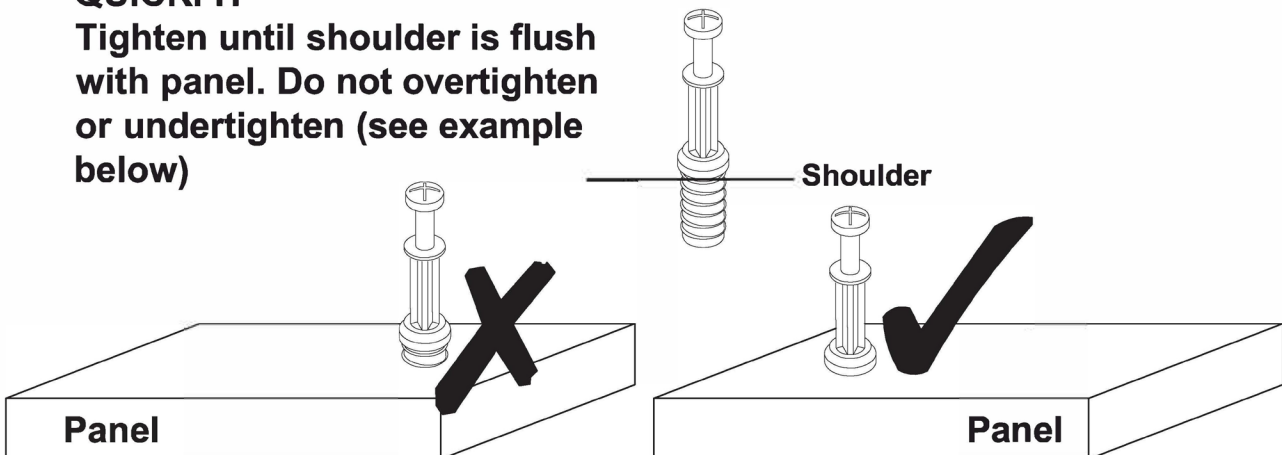
## SPECIAL TIPS FOR FITTING CAM-LOCKS AND QUICKFIT



**Quickfit head needs to be in centre**

### QUICKFIT

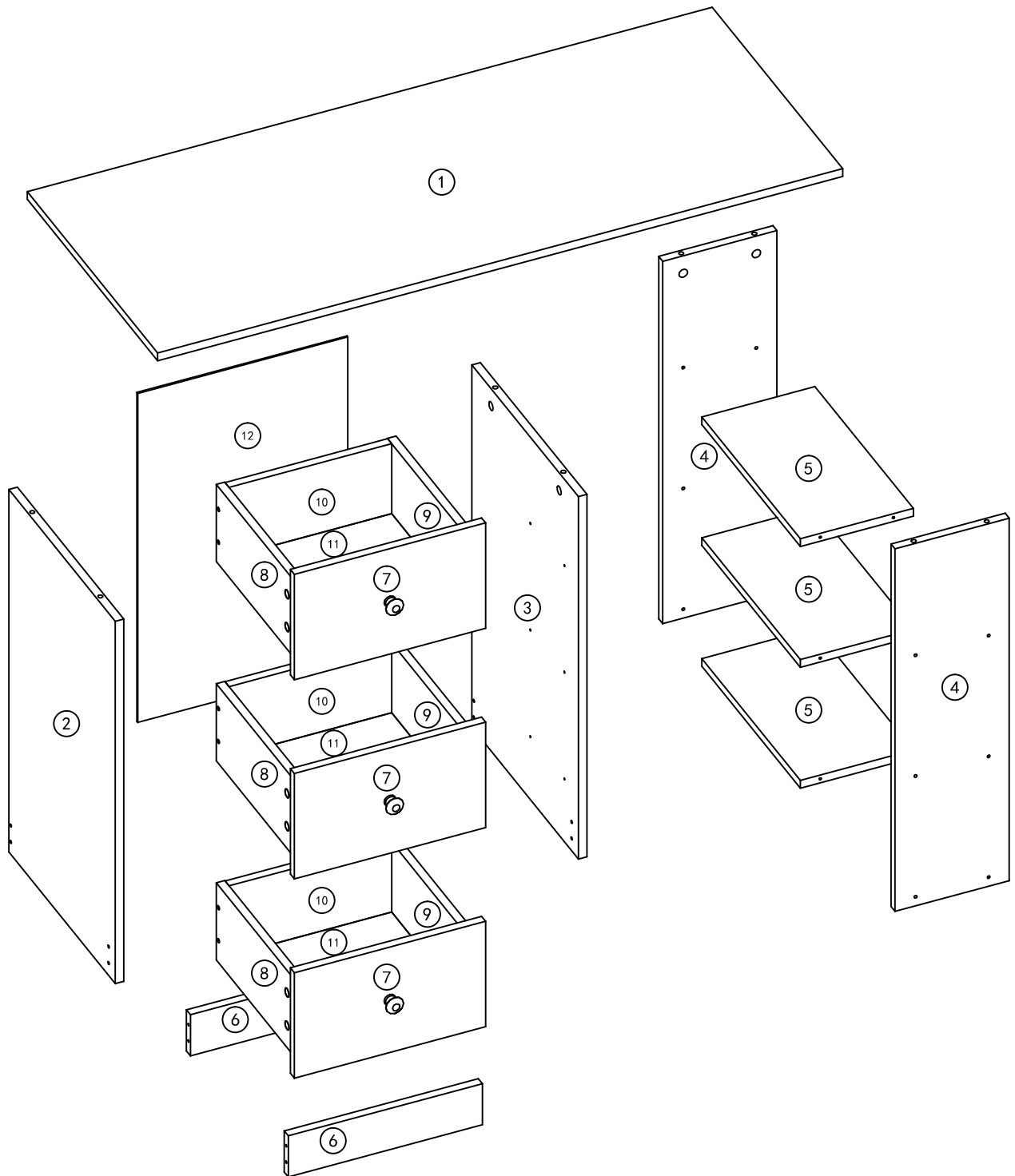
**Tighten until shoulder is flush with panel. Do not overtighten or undertighten (see example below)**



**If you are unhappy with the product and wish to return it, please follow the retailer's returns procedure.**

# Exploded View

If you have damaged or missing components,  
email: [aftersales@gpmfurniture.co.uk](mailto:aftersales@gpmfurniture.co.uk)



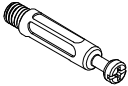


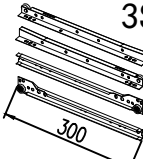



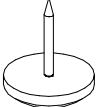
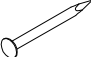
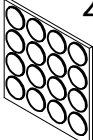
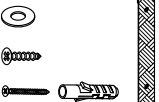


# Components - Fixings

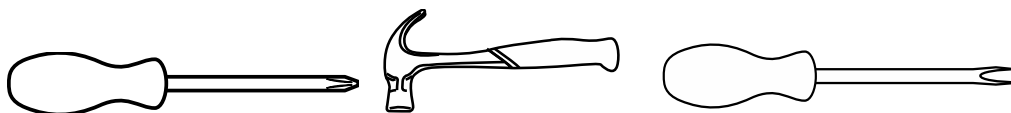
If you have damaged or missing components,  
email: [aftersales@gpmfurniture.co.uk](mailto:aftersales@gpmfurniture.co.uk)

**Please check that you have all the components listed below before constructing your item.**

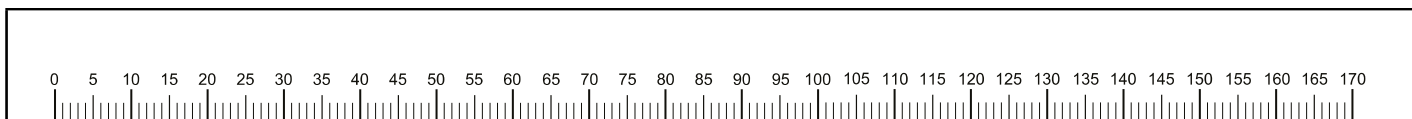
**Note:** The quantities below are the correct amount to complete the assembly. In some cases more fittings may be supplied than are required.

<b>A</b> 20PCS 	<b>B</b> 20PCS $\Phi 15*11$ 	<b>C</b> 20PCS M5*40 	<b>D</b> 3SET  DR DL CR CL 300	<b>E</b> 3PCS  M4*18
<b>F</b> 12PCS M3.5*35 	<b>G</b> 24PCS M3.5*14 	<b>H</b> 8PCS 	<b>J</b> 12PCS 	<b>K</b> 20PCS 
<b>L</b> 2PCS 				

## Tools Required



**Ruler** – Use this to measure your screws (mm)






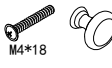
**Important** – Please read these instructions fully before starting assembly

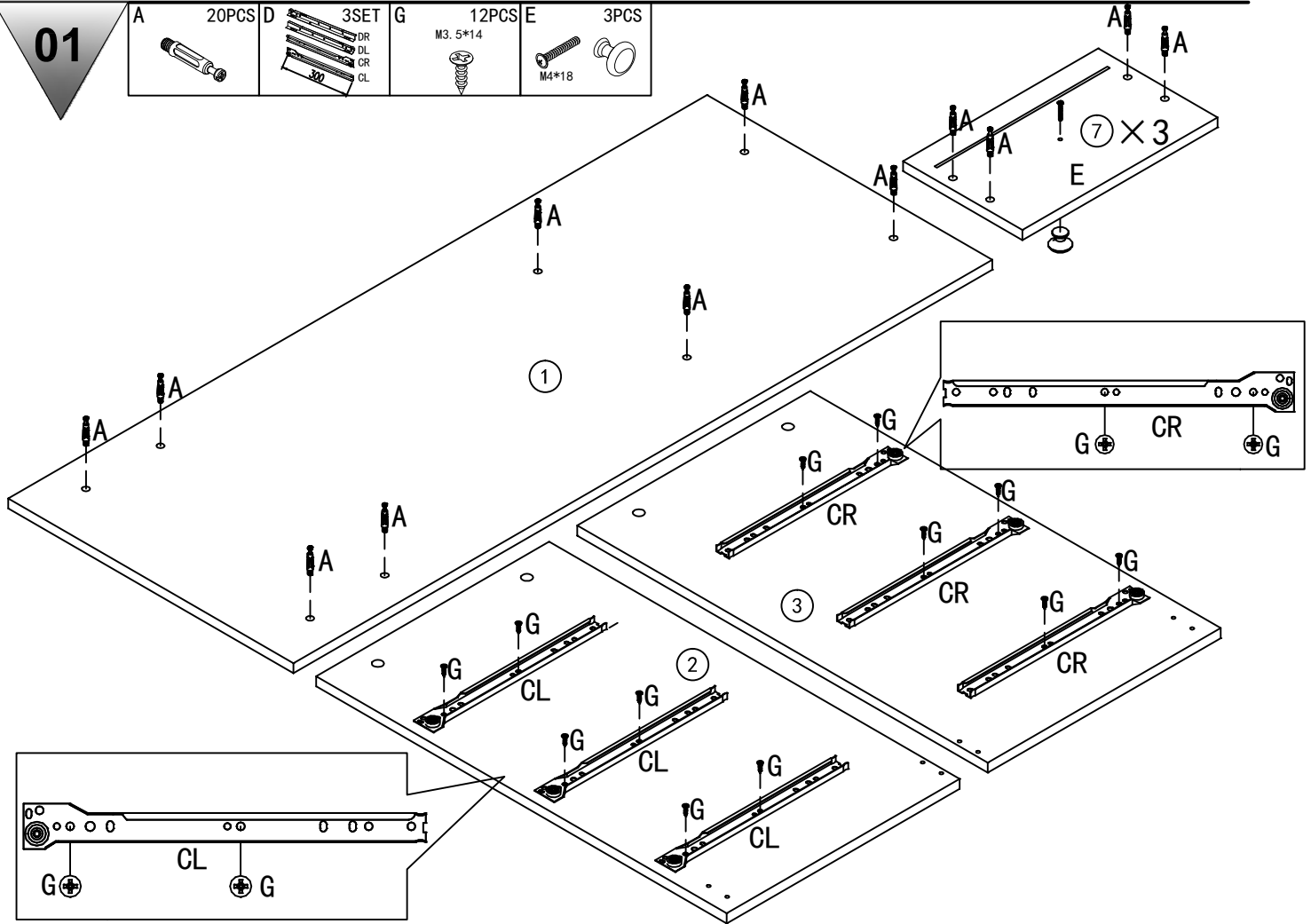
If you need help or have damaged or missing parts, please email [aftersales@gpmfurniture.co.uk](mailto:aftersales@gpmfurniture.co.uk)

# Assembly Instructions


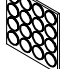
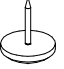
If you have damaged or missing components,  
email: [aftersales@gpmfurniture.co.uk](mailto:aftersales@gpmfurniture.co.uk)

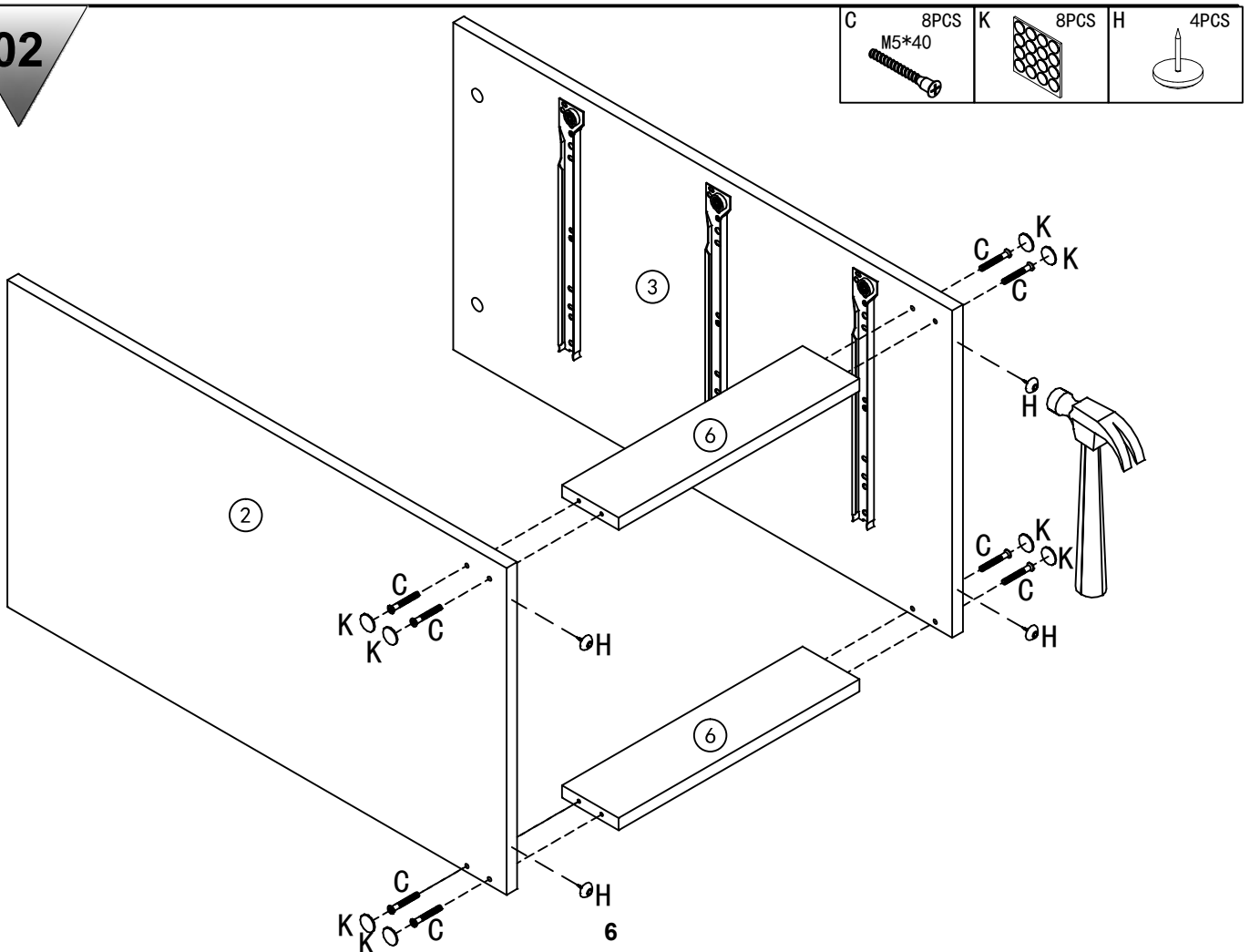
01

A	20PCS	D	3SET	G	12PCS	E	3PCS
							


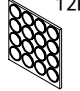


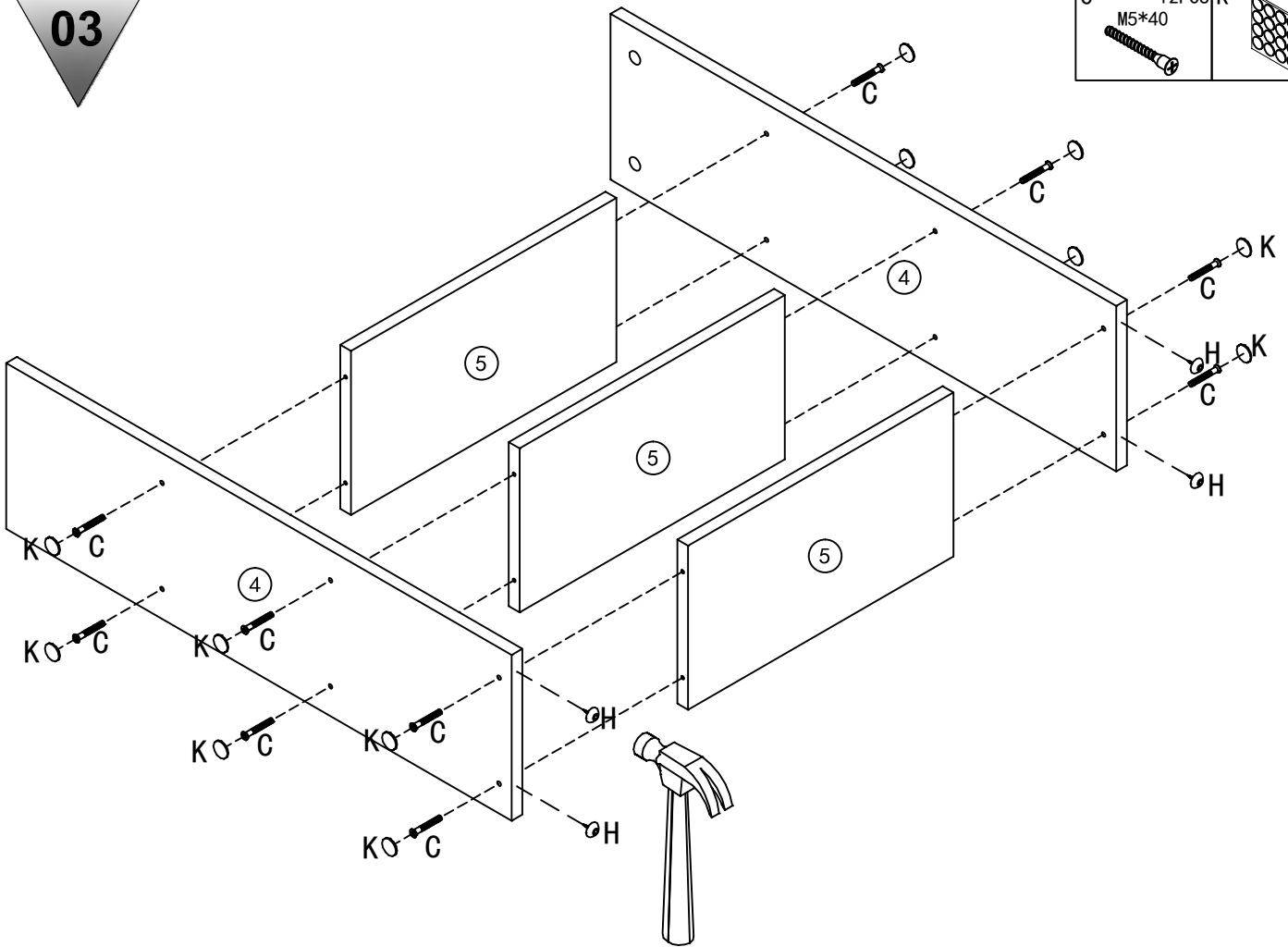
02

C	8PCS	K	8PCS	H	4PCS
					



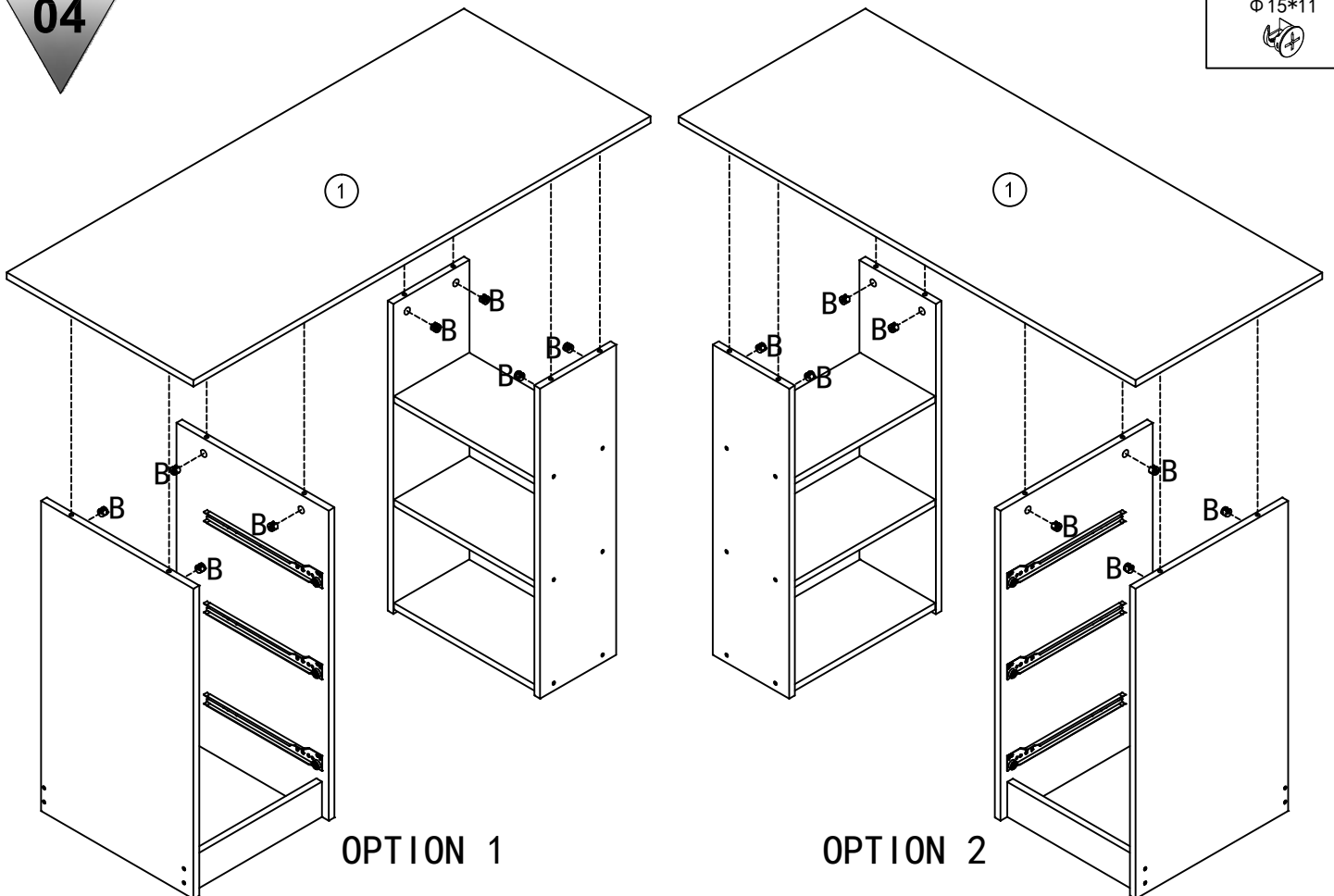
03

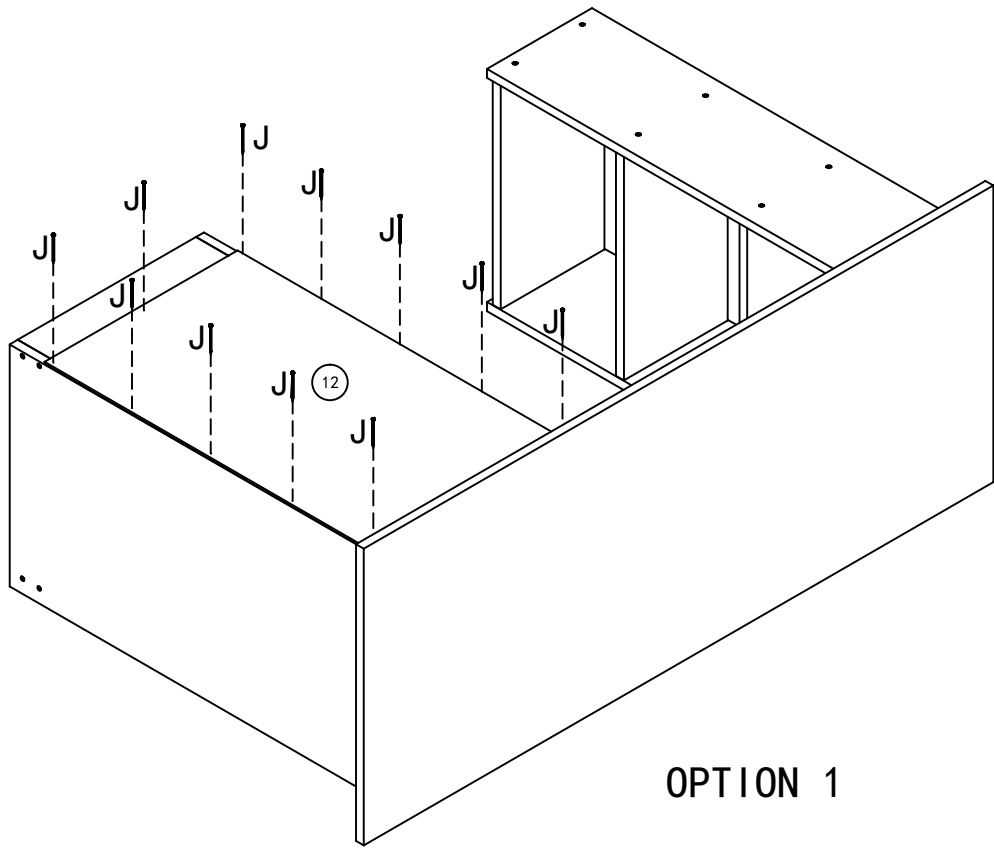
C	12PCS	K	12PCS
	M5*40		



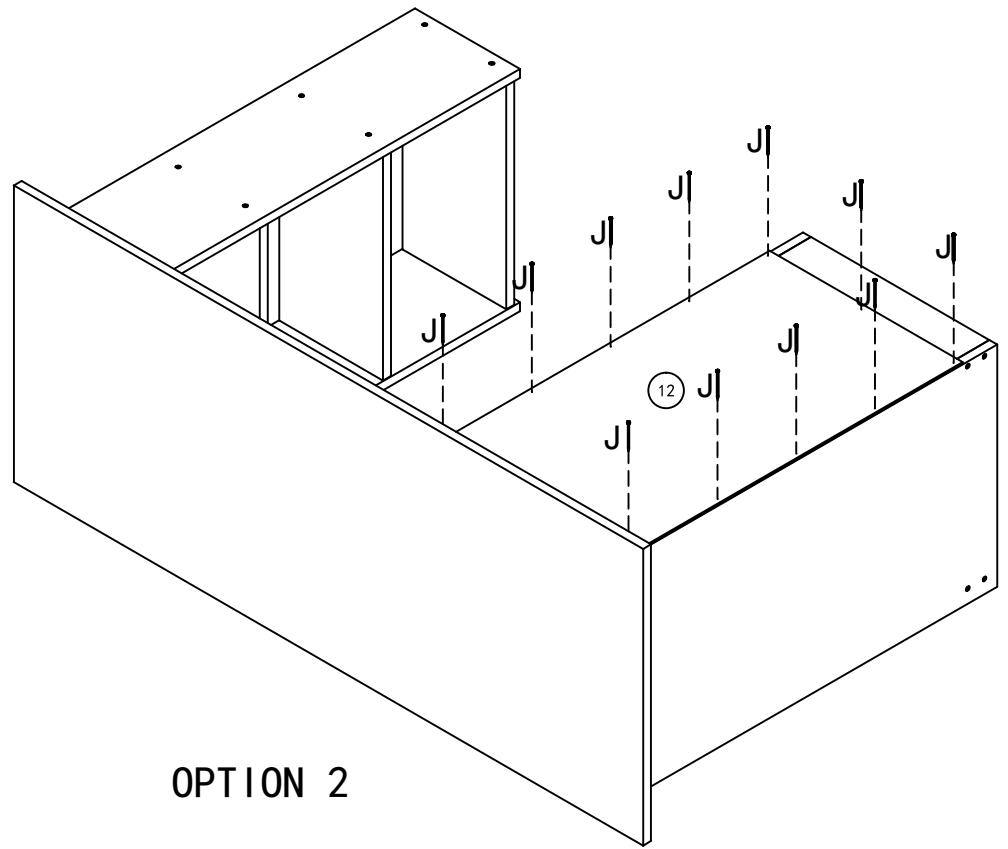
04

B	8PCS
	Φ 15*11
	









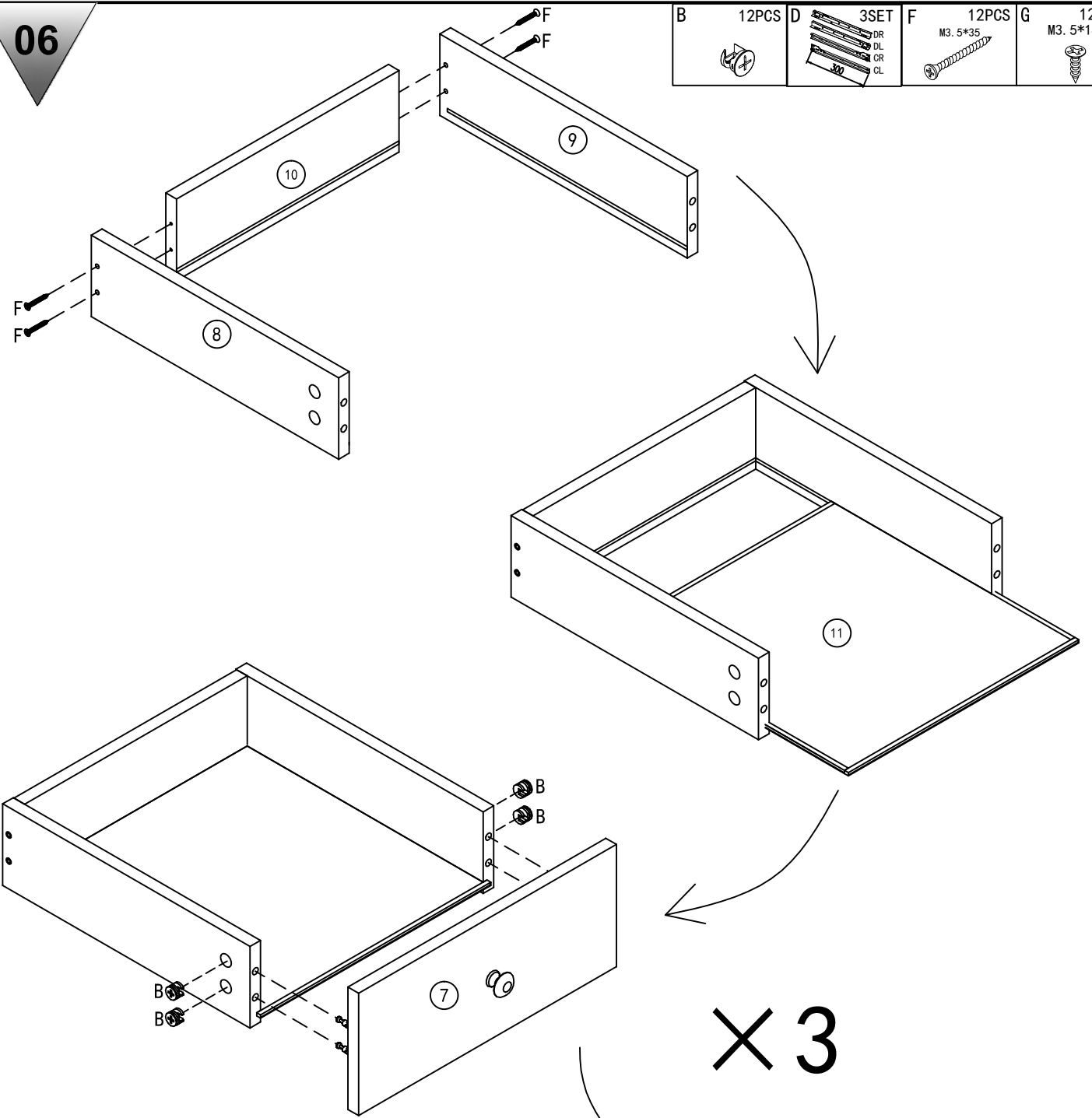
OPTION 1



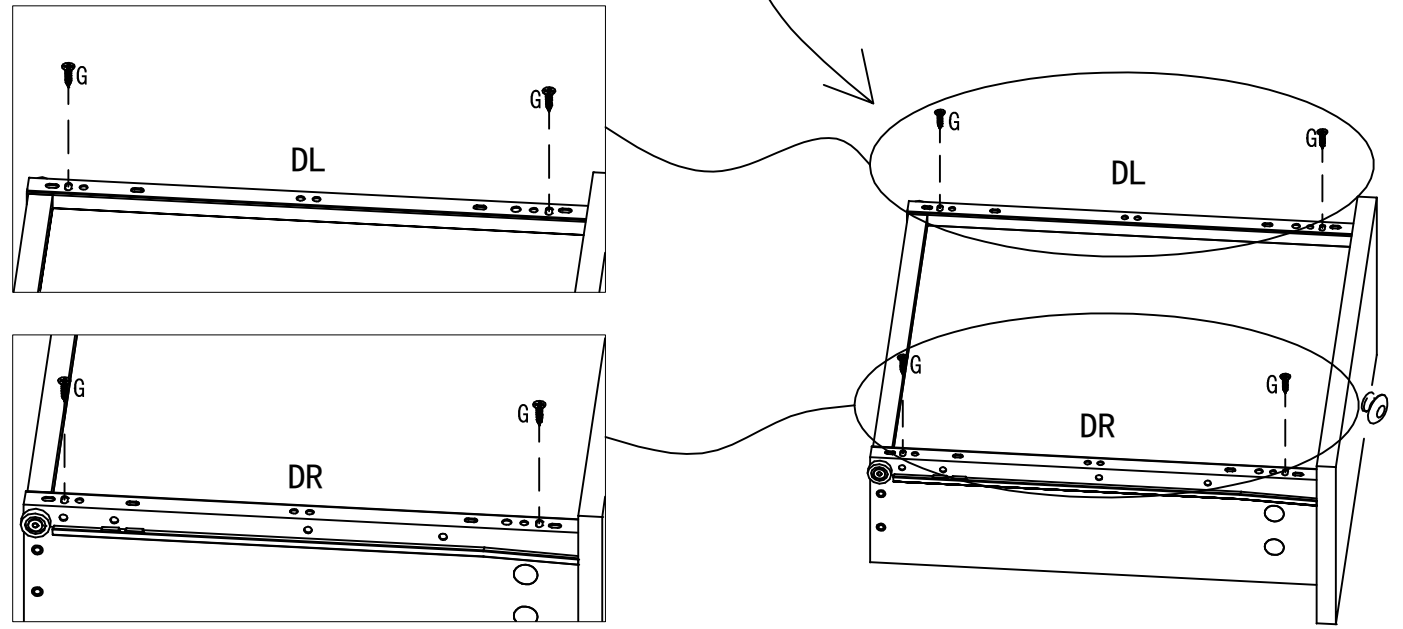
OPTION 2

06

<b>B</b> 12PCS 	<b>D</b> 3SET DR DL OR CL 	<b>F</b> 12PCS M3.5*35 	<b>G</b> 12PCS M3.5*14 
---	--	--	--

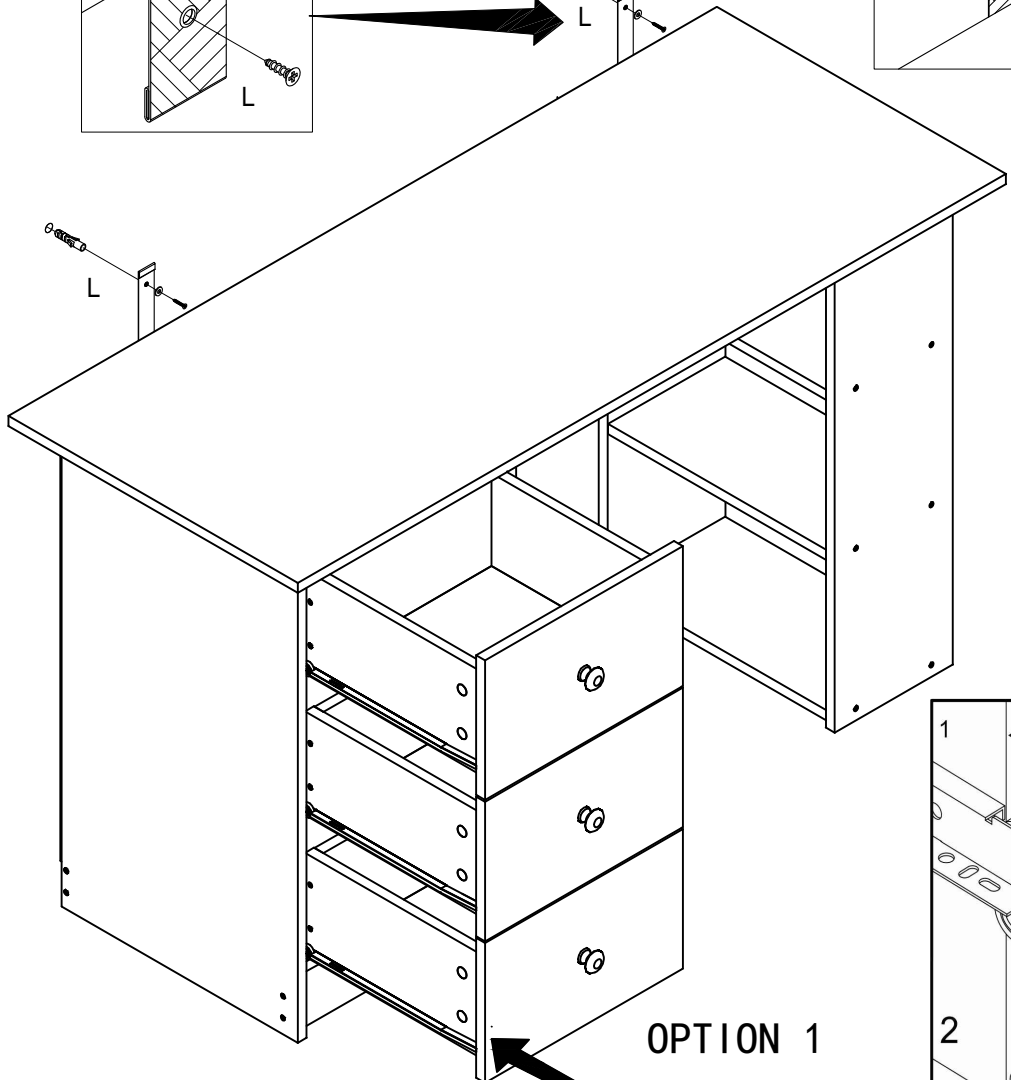
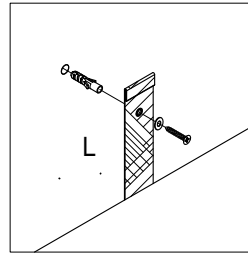
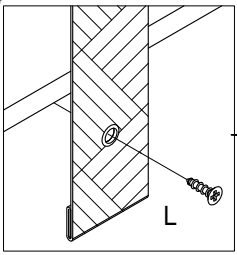
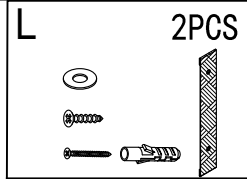


x3

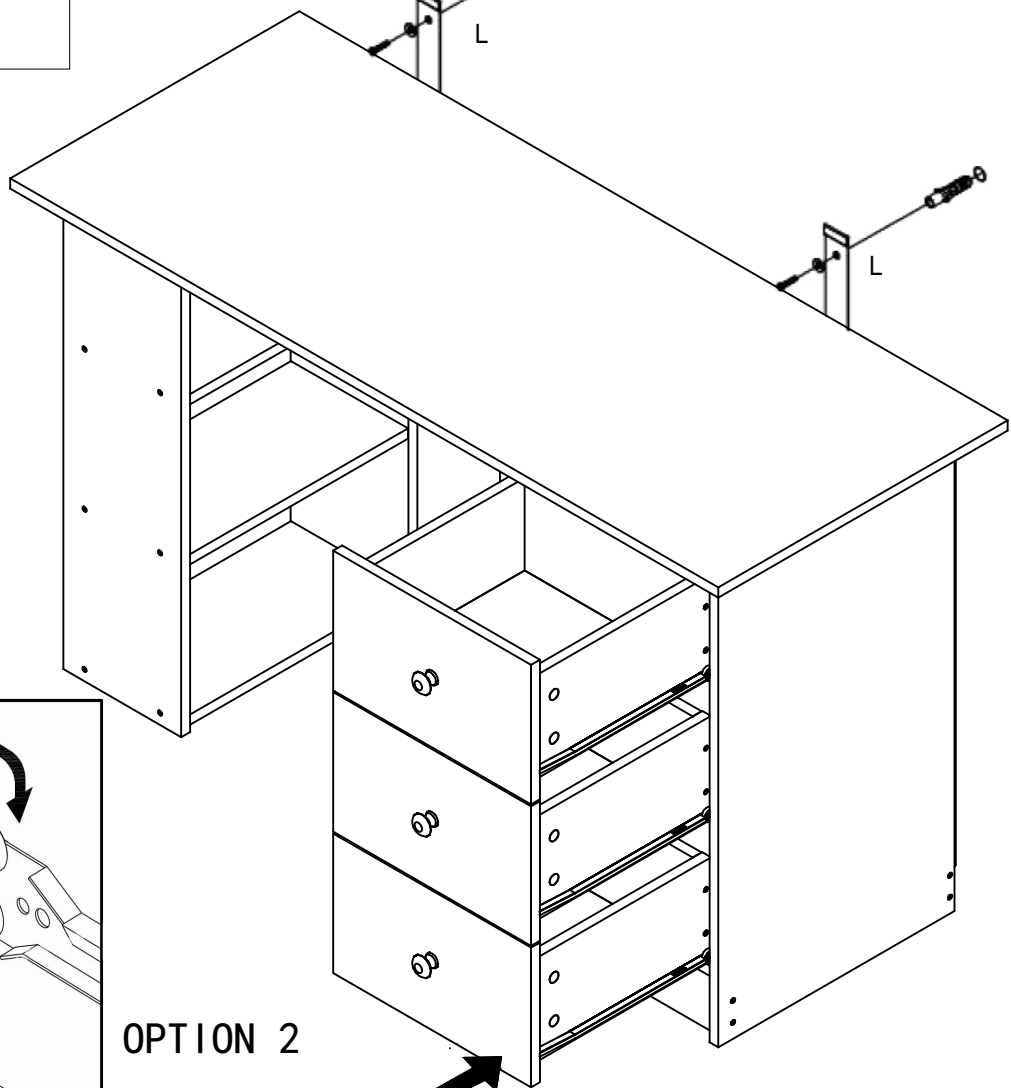


07

L 2PCS



OPTION 1



OPTION 2

