

User Manual

Pet Bathtub



1.Warning

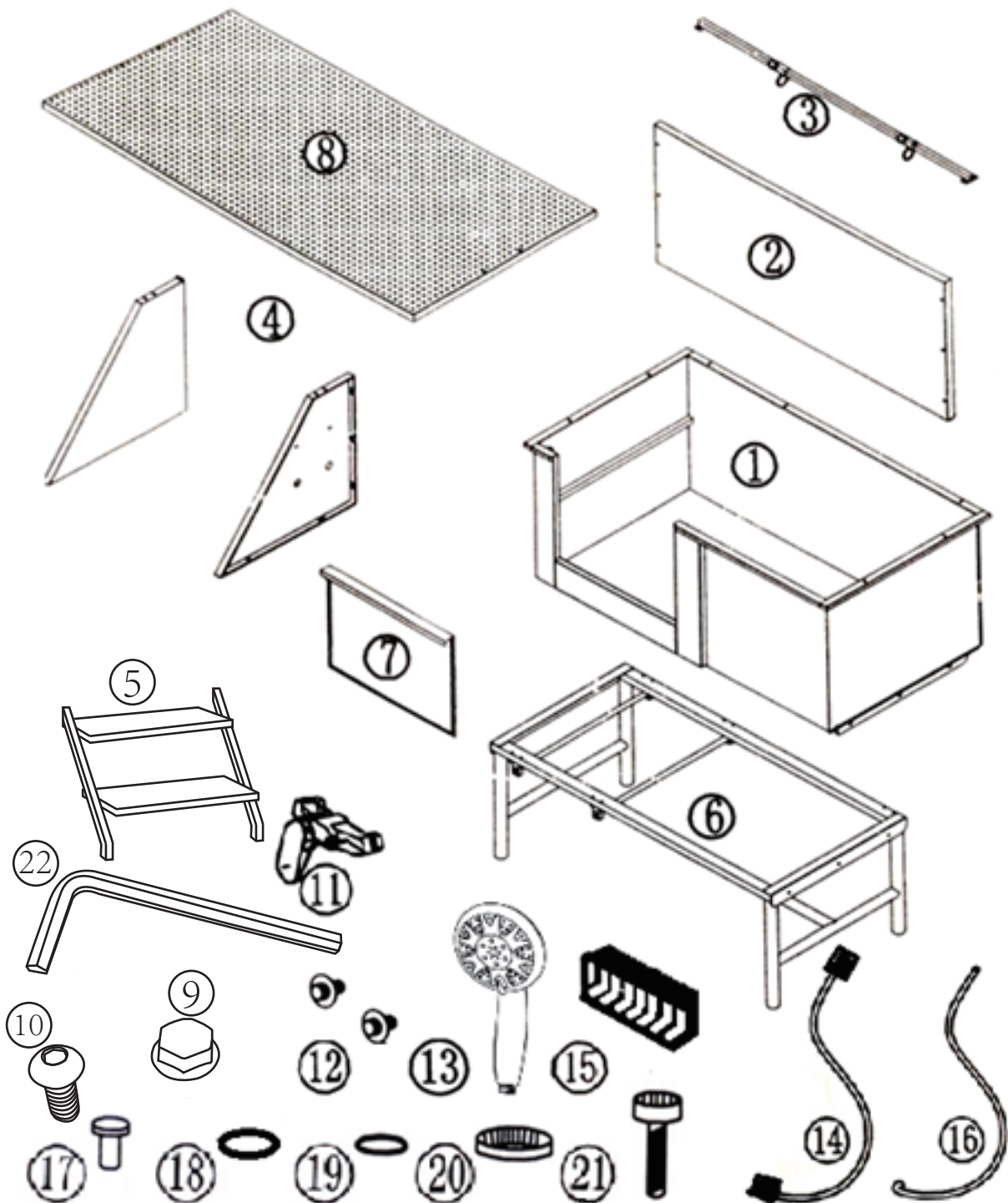
Please completely clean the bathtub and keep it dry after use. Clean with neutral soaps or detergents, and don't use abrasive or corrosive detergents and bleach. Don't use metal cleaning supplies such as stainless steel scrubbers or bristles to avoid scratches on the bathtub.

2.Specifications

Size: 27"*50"*58"

Weight: 137lbs

3.Parts list

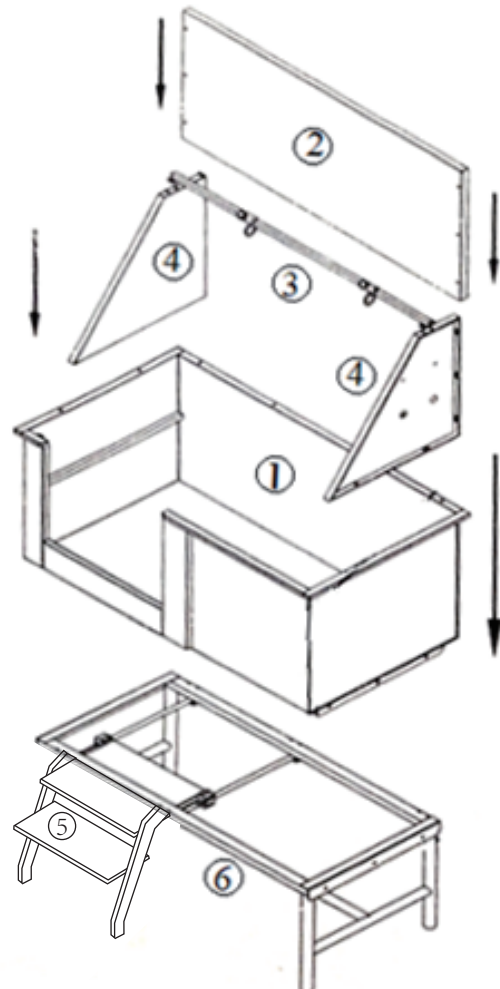


Item#	Part Description	Qty	Item#	Part Description	Qty
1	bathtub	1	12	Faucet water pipe connection screws	2
2	Back plate	1	13	Shower head	1
3	Pet grooming arm	1	14	Shower hose	1
4	Left and right plates	2	15	Soap basket	1
5	Step ladder	1	16	Cold and hot water inlet pipe	2
6	Bathtub base	1	17	Sewage filter	1
7	Sliding door	1	18	Pad	1
8	Drain shelf	1	19	Rubber pad	1
9	9. 5/16"-18 flange nuts	24	20	Drain protector	1
10	10. 5/16"-18 x 5/8" round head hex socket screws	24	21	Sewer hose	1
11	Faucet	1	22	Hex wrench	1

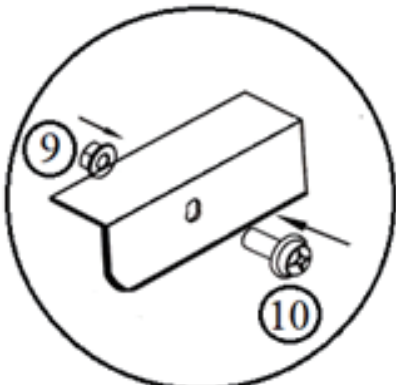
4. Installation

The main body of the bathtub

1. As the picture shows, place the bathtub on the base and tighten all screws. (The picture below shows how to tight screws.)
2. Place the back, left and right plates onto the bathtub and tighten screws (The picture below shows how to tight screws.)
3. Tighten screws to joint right, left and back plates (The picture below shows how to tight screws.)
4. Place the pet grooming arm at the top of the right and left plates and tighten screws to fix it (The picture below shows how to tight screws.)
5. Slide the step ladder to the bottom of the bathtub

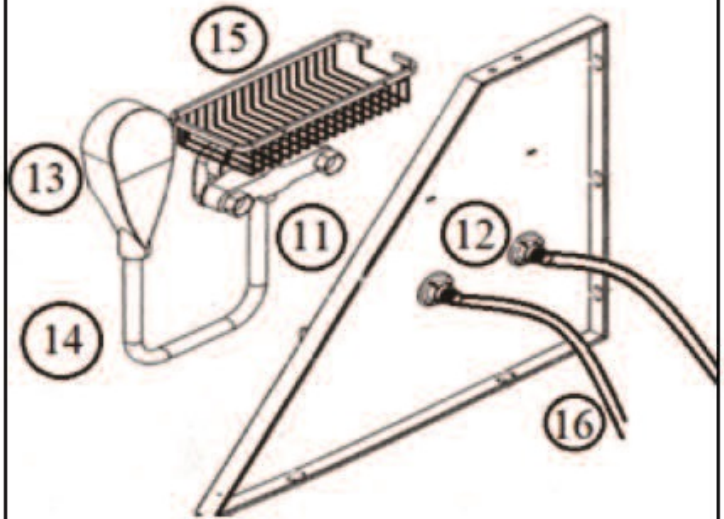


The way to install a screw (altogether 24 holes)



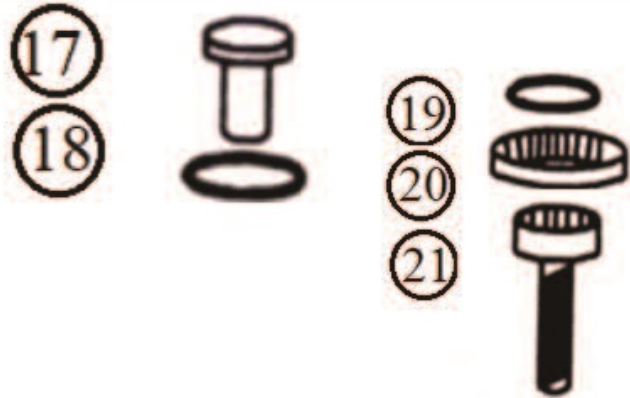
Install the soap basket, shower head, and faucet

6. Loosen screws on the soap basket, adjust the position of where to install the basket and then tighten screws
7. Install the faucet to the water inlet from the two holes on the right plate, then set up the faucet water pipe connection screw on the other side and tighten it
8. Connect hot and cold water inlet pipe to the faucet water pipe, and tighten screws to avoid leaking
9. Connect the shower head to shower hose and the shower hose to the faucet



Sewer

10. Place the pad and then install sewage filter in the order the picture shows
11. Outside of the bathtub, install rubber pad, drain protector and then sewer hose (Raw material is recommended to avoid leaking.)



After the installation, please adjust the feet to stabilize the bathtub.

Keep the end of the drain pipe at a lower place so that sewage can be discharged smoothly.

5. Notes

Thanks for supporting our product, and we will try our best to provide better service for you. Should you have any concern, please don't hesitate to contact us. We are always here to solve your issues and our email is ld01@ledelinc.com.