

# ACT3052 - Dual Handle Monobloc

Product Finish: Brushed Brass

EAN13 barcode: 5060879991590



## Product features:

- Quarter turn handle action for precise flow control
- Custom designed for lower to mid pressures
- Antisplash spout supplied as standard
- Supplied complete with flexible tail pipes for fast simple fitting
- Traditional styling

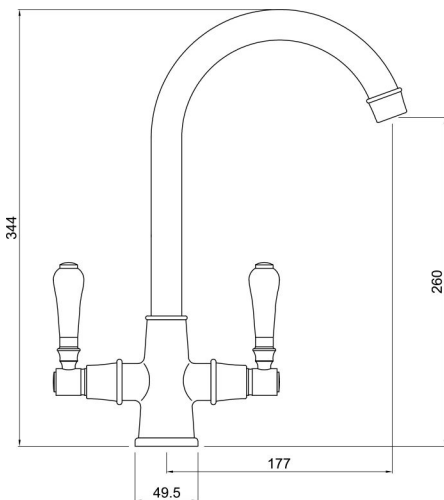
## Additional information / Parts included:

1 x metal horseshoe, 1 x rubber horseshoe, 1 x fixing nut, 1 x rubber seal

## Primary WRAS fittings number (see [www.wras.co.uk](http://www.wras.co.uk)):

None

## Product dimensions:



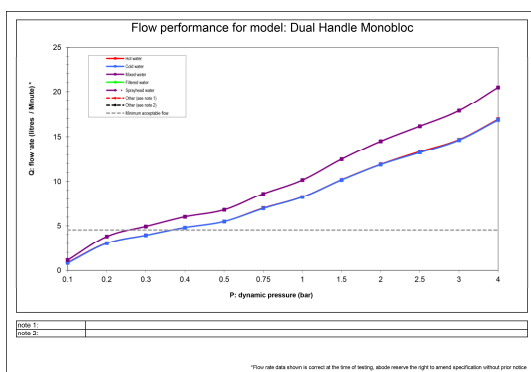
- Overall Height / projection: 344 mm
- Exit reach: 177 mm
- Exit height: 260 mm
- Centre distance(s): n/a
- Base diameter(s): 49.5 x n/amm
- Recommended hole diameter: Ø 35 mm
- Max. surface depth: 60 mm
- Spout diameter: 24 mm
- Spout aerator size: M22 x F

## Packaged properties:

Box length: 410 mm  
Box width: 245 mm  
Tap only weight: 1.30 kg

Box depth: 60 mm  
Units per outer: 10  
Boxed weight: 1.82 kg

## Product flow characteristics:



- Min / Max water pressure: 0.30 / 5.5 bar
- Recommended / Max water temperature: 46°C / 70°C
- Part G - Mixed flow rate at 3 bar (litres / min): 17.85

- Control valve type: 1/2" ceramic disc, quarter turn operation
- Flow characteristics: Single Flow
- Non return valve(s): None

- Aerator type: Honeycomb
- Spout connection method: Grub Screw Rear of body

- Tail pipe inlet / outlet size: M10 / 1/2" BSP Female
- Inlet pipe type / length: Flexible stainless braided hose / 350 mm

## Care instructions summary:

- Clean the mixers and showers regularly as required, using soap, do not use any other cleaners.
- Regular cleaning will prevent the build up of lime scale and dirt
- After cleaning rinse thoroughly with clean water to remove any cleaner residue
- Residues of sink & worktop cleaners can also cause damage, so rinse with clean water after using, avoid contact with any abrasives

## Warranty Summary (Full details available on request):

- Materials and workmanship defects warranted for 5 years
- Valves and working parts warranted for 5 years
- Surface warranty defects warranted for 1 year
- O-rings, hoses & gaskets warranted for 1 year