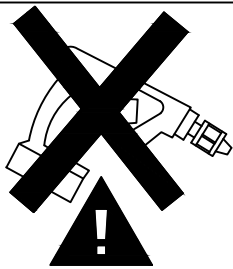
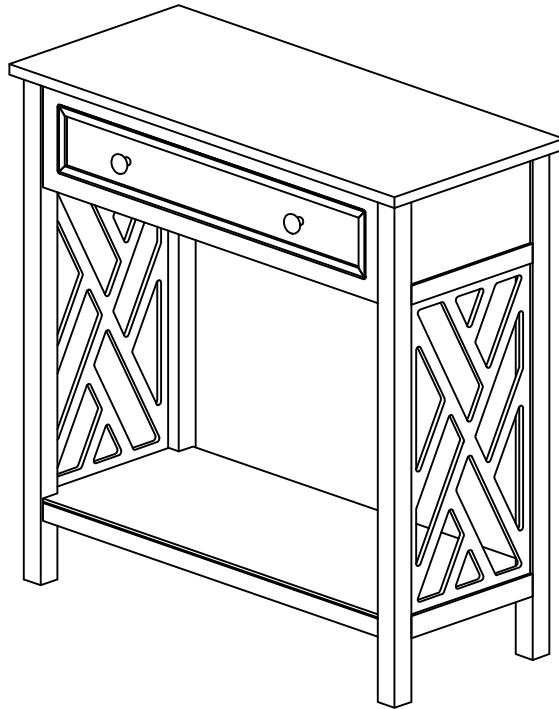
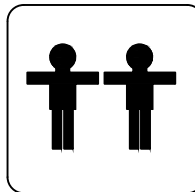


ASSEMBLY INSTRUCTION

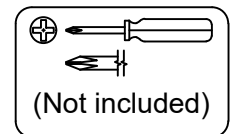
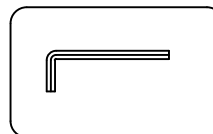
CONSOLE TABLE WITH 1 DRAWER



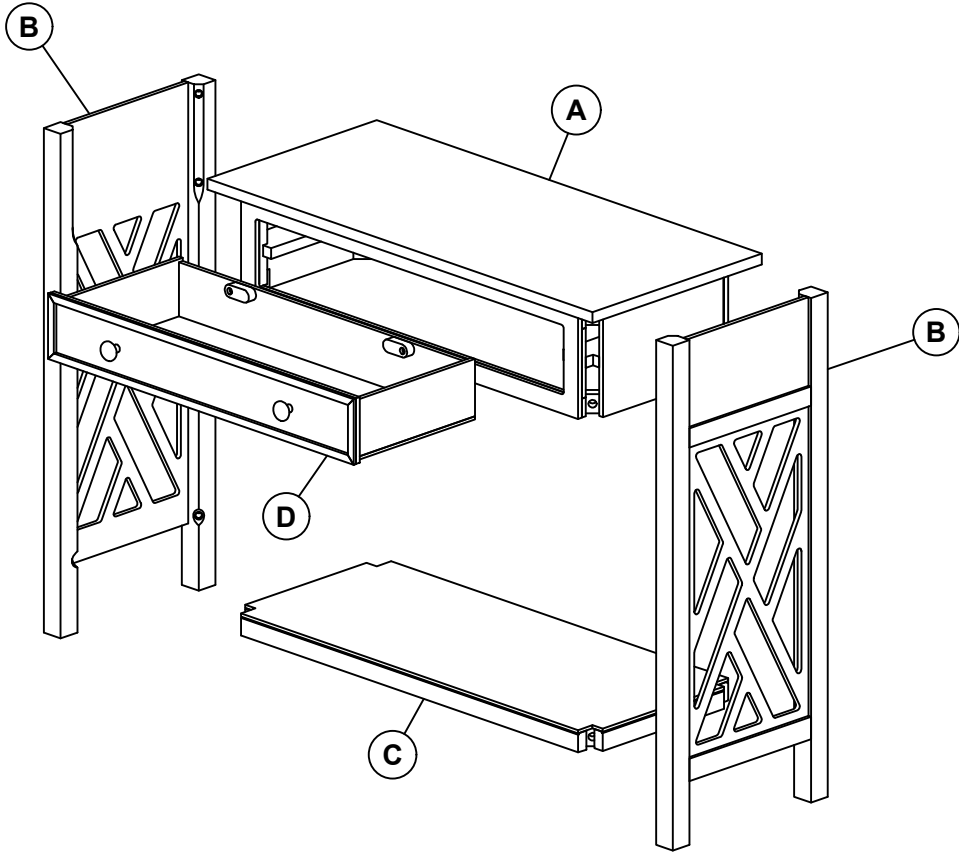
. Use of power tool to assemble this product will invalidate any claim and damage this product making it unsafe !!!
. Please assemble on a clean soft surface to avoid damage.




Tools Required

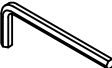


Part list - Console Table



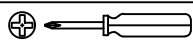
Identifying the hardware-Identify the hardware using the illustrations below

E  **12**
M6x45MM BOLT

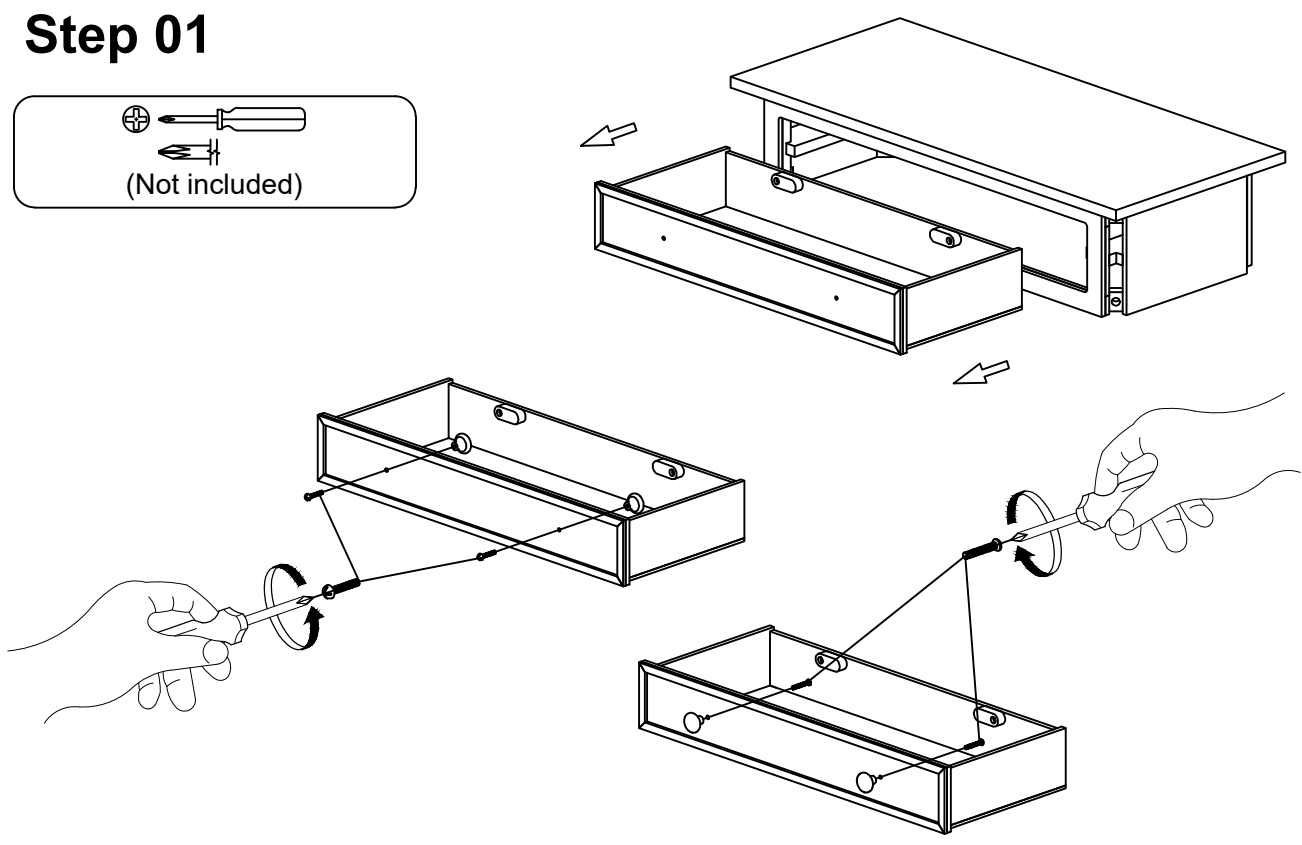
F  **01**

G  **01**
ANTI-TIP

Step 01



(Not included)



Step 02

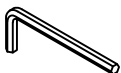
E



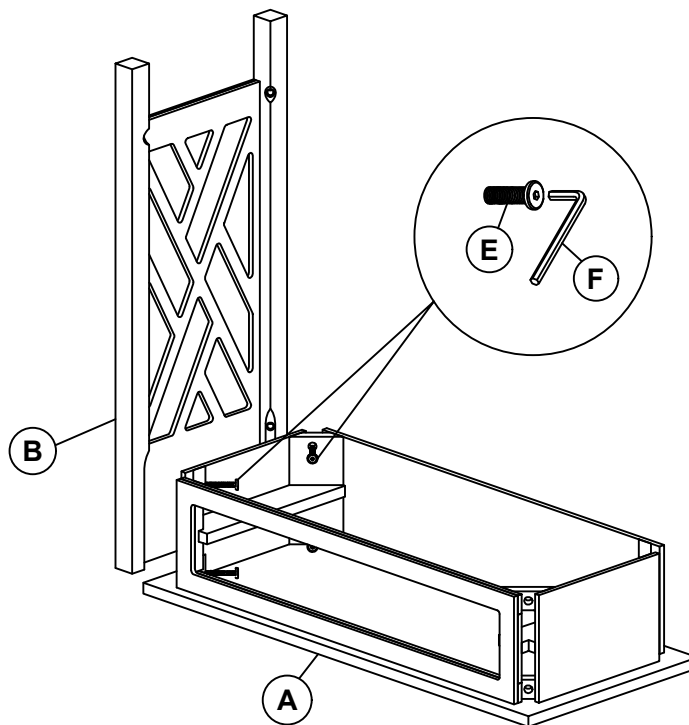
M6x45MM BOLT

08

F




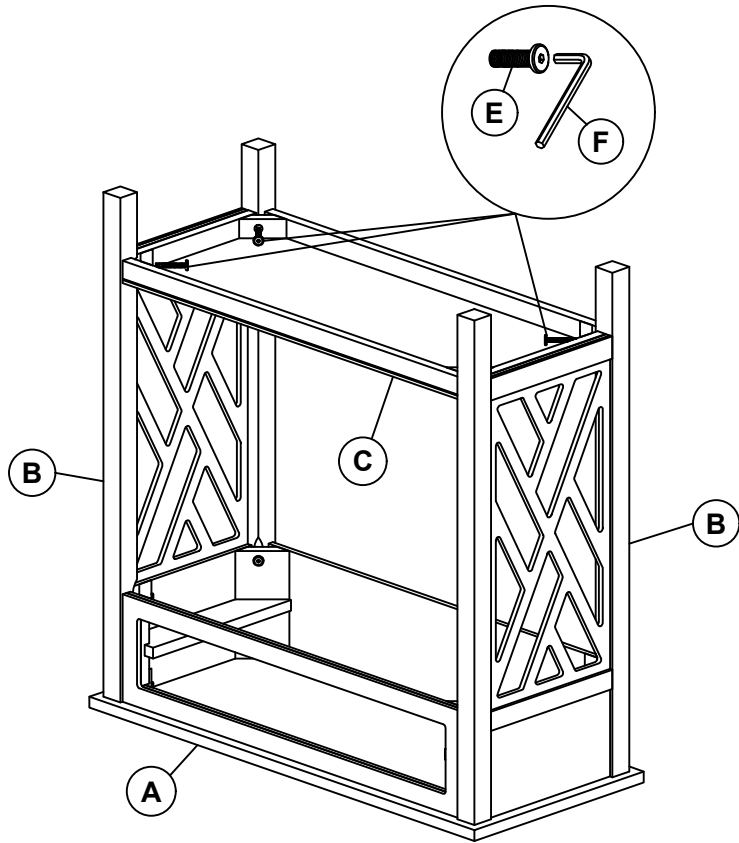
01



Step 03

E  **04**
M6x45MM BOLT

F  **01**



Step 04

