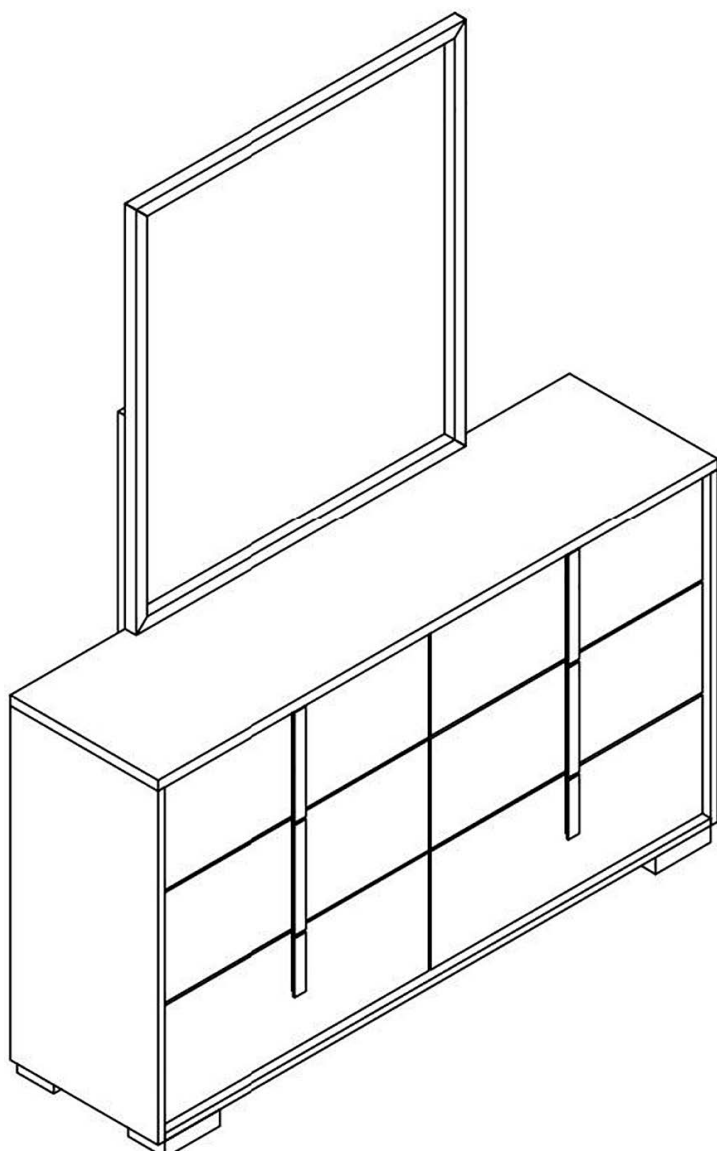


INSTALLATION & ASSEMBLY



[TOOLS REQUIRED]



Screwdriver
(Not Included)



2 - People

Enjoying this product ? We'd love your 5-star review!

If you have any issues, our support team is happy to help.



CHECK BEFORE STARTING

Are you missing anything?

Please double check all hardware and parts match the assembly guide before putting the product together. If damaged, we suggest you put the item back in the box and start your claim or return

Should we send any_replacements?

If there are any manufacturer defects or missing pieces please contact us for replacements. If purchased online, please contact the website of where you purchased it from, DIRECTLY

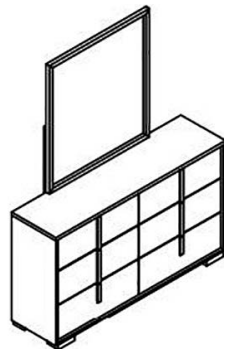
IMPORTANT INFO before assembly:

- **If there's a problem with the parts do not attempt to assemble the product**
- Place all parts on a clean and smooth surface such as a rug/carpet to avoid parts from being scratched
- When tightening screws to product do not overtighten until product is fully setup
- If product is too heavy for a single person to carry do not attempt and ask for assistance
- DO NOT DRAG or PUSH item to desired location. Must be carried when moving
- If item is not working as intended please review the assembly guide to see if any steps were missed or incorrectly built. If there's a problem with part please contact seller for additional assistance
- Please keep all hardware and small parts away from pets/infants
- Please wear gloves or protective gear to protect from getting cuts
- It is normal for new furnitruue to have an off gassing smell. Please air out furniture near a window for a few hours or a day before placing it in its desired location
- All products may have a slight color and texture variation due to different shipments, natural materials, screen-resolutions, or lighting in home. Images are rendered by different devices or websites

Please keep instruction for future reference

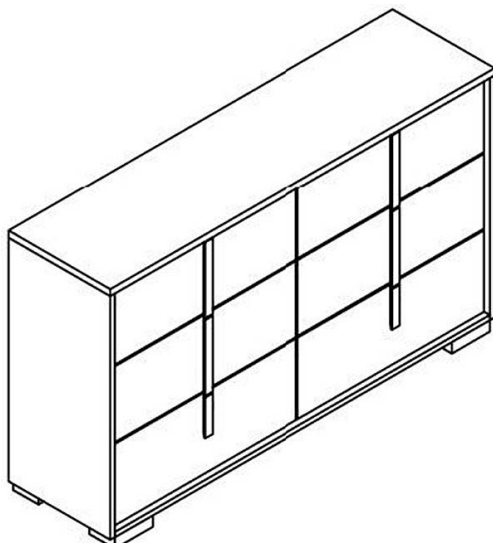
Check the quantity and irregularity of parts and hardware before you start

If assembly guide is misplaced, please visit our website for copy

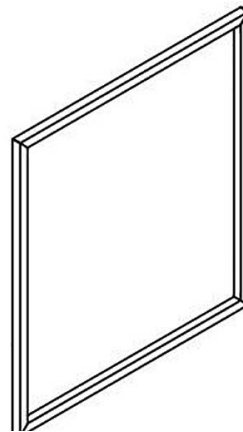


Part List

NO	DESCRIPTION	QTY
A.	Dresser	1PC
B.	Mirror	1PC
C.	Mirror Support	2PCS



1. DRESSER




2. MIRROR

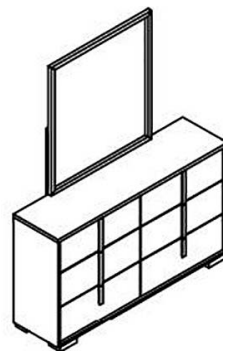
X 2

3. MIRROR SUPPORT

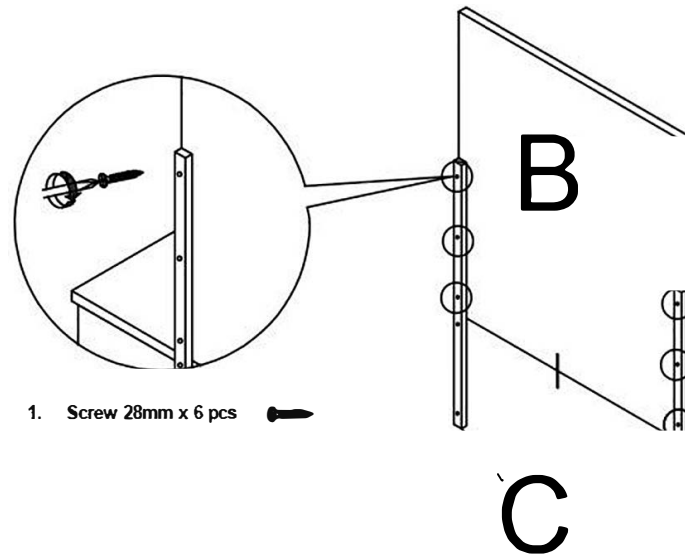
Hardware List


NO	DESCRIPTION	QTY
1.	SCREW 28mm 	10 PCS
Hardware Located in Mirror Box		

If any parts/hardware listed are damaged or missing
Please contact seller for additional assistance

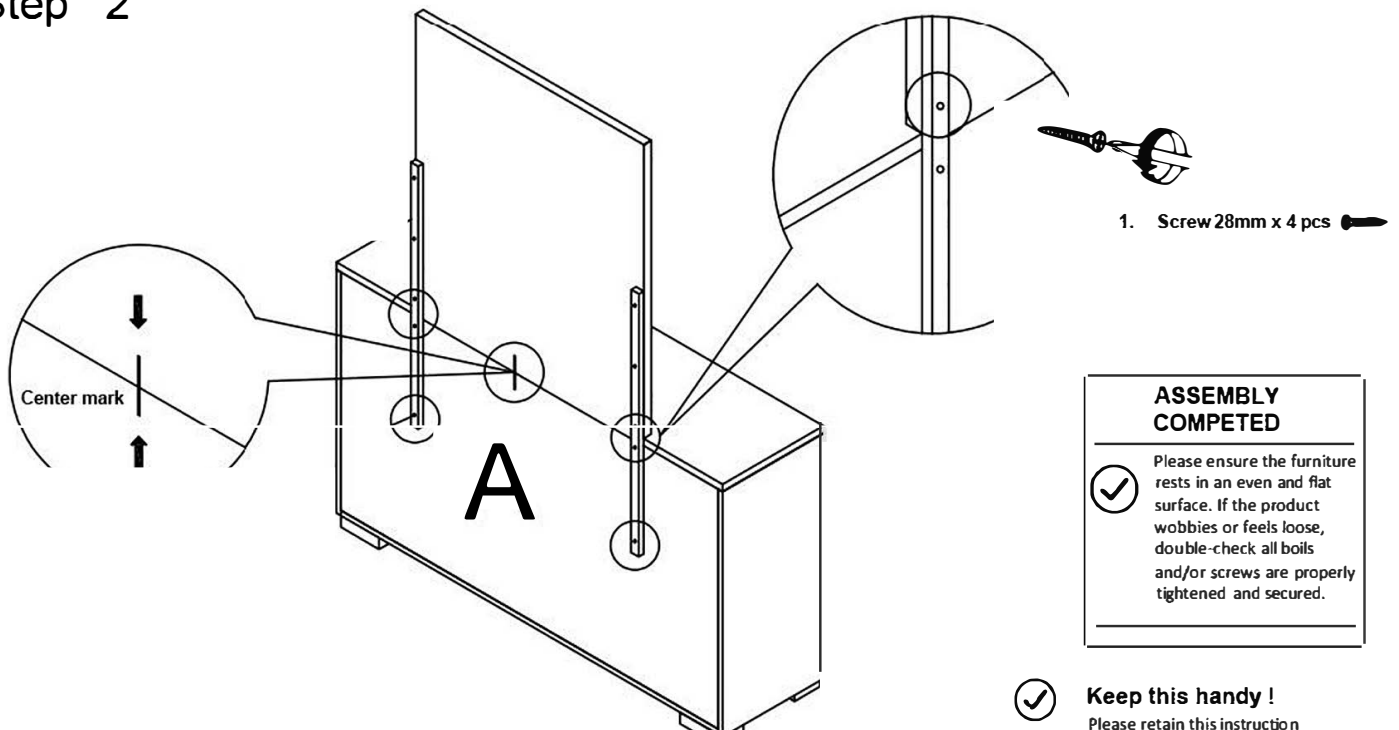


Step 1




1. Screw 28mm x 6 pcs 

Step 2



1. Screw 28mm x 4 pcs 

ASSEMBLY COMPLETED

 Please ensure the furniture rests in an even and flat surface. If the product wobbles or feels loose, double-check all bolts and/or screws are properly tightened and secured.



Keep this handy !

Please retain this instruction manual and any order-related information for future reference.



Lift, don't drag!

To avoid damage to product please always LIFT the product when transporting or adjusting the placement.

Place the mirror with support on the top of dresser (B).
Then align center as shown and tighten with screw.

This product is intended for **RESIDENTIAL USE ONLY** and not for commercial use.