

### Features

- Freestanding design creates a striking focal point in your bathing area
- Oval basin creates a spacious bathing experience
- Center offset toe-tap drain
- 17-1/4" (438 mm) depth offers a deep soaking experience
- Integral lumbar support on both ends
- Wide ledge on one side is ideal for deck-mount faucet and/or handshower
- Textured bottom surface
- Built-in integral overflow

### Material

- Acrylic

### Recommended Products/Accessories

- K-23726 Drain treatment
- K-23733 Vikrell® cleaner



### Codes/Standards

- CSA B45.5/IAPMO Z124
- ASTM E162
- ASTM E662
- IAPMO Certification


### STERLING® Vikrell® or Acrylic Baths and Shower Bases Ten-Year Limited Warranty

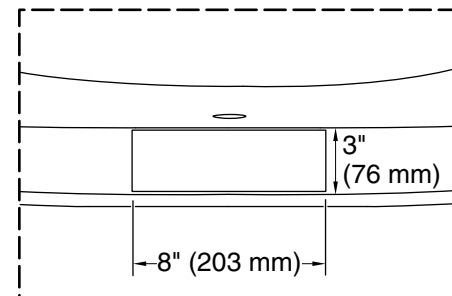
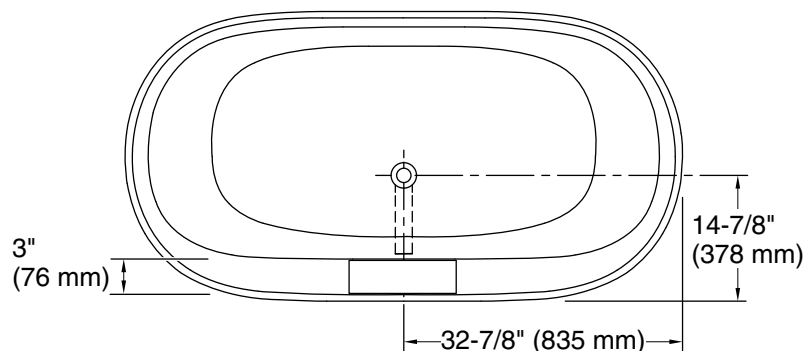
See website for detailed warranty information.

### Available Colors/Finishes

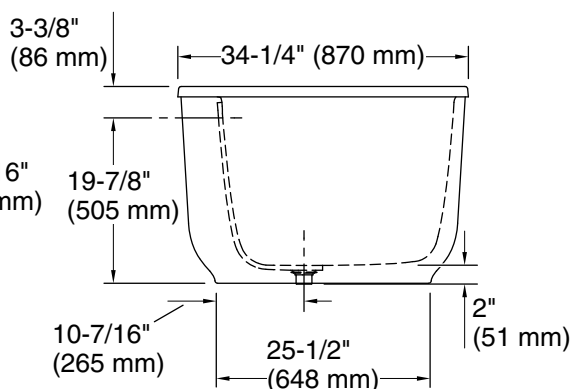
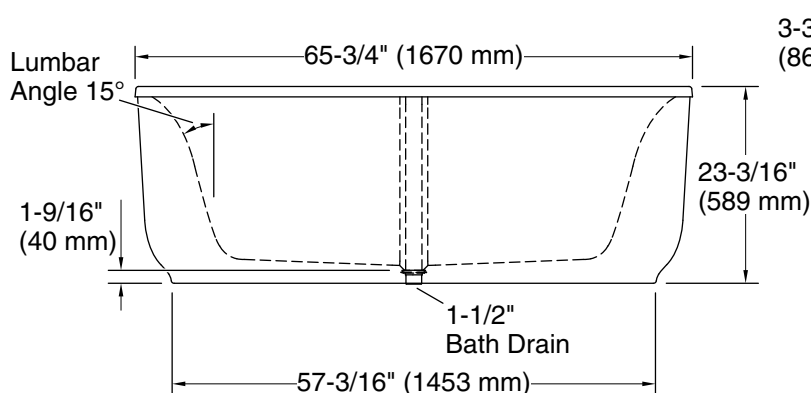
*Color tiles intended for reference only.*

Color	Code	Description
-------	------	-------------

	0	White
---	---	-------



Recommended Faucet Area Location



### Technical Information

All product dimensions are nominal.

Drain location:	Center
Basin area, bottom:	45-1/4" x 22-1/2" (1149 mm x 571 mm)
Basin area, top:	59" x 26-3/4" (1499 mm x 679 mm)
Weight:	115 lbs (52.2 kg)
Water depth:	17-1/4" (438 mm)
Water capacity:	79 gal (299 L)

### Notes

Install this product according to the installation instructions.

Measure your actual product for rough-in details.

The hot water supply should be 70% of the capacity of the bath or greater. Installations will vary.

This bath is designed for freestanding installation only.

If installing a rim-mount faucet, make sure there is no interference above or below the deck before drilling any holes.