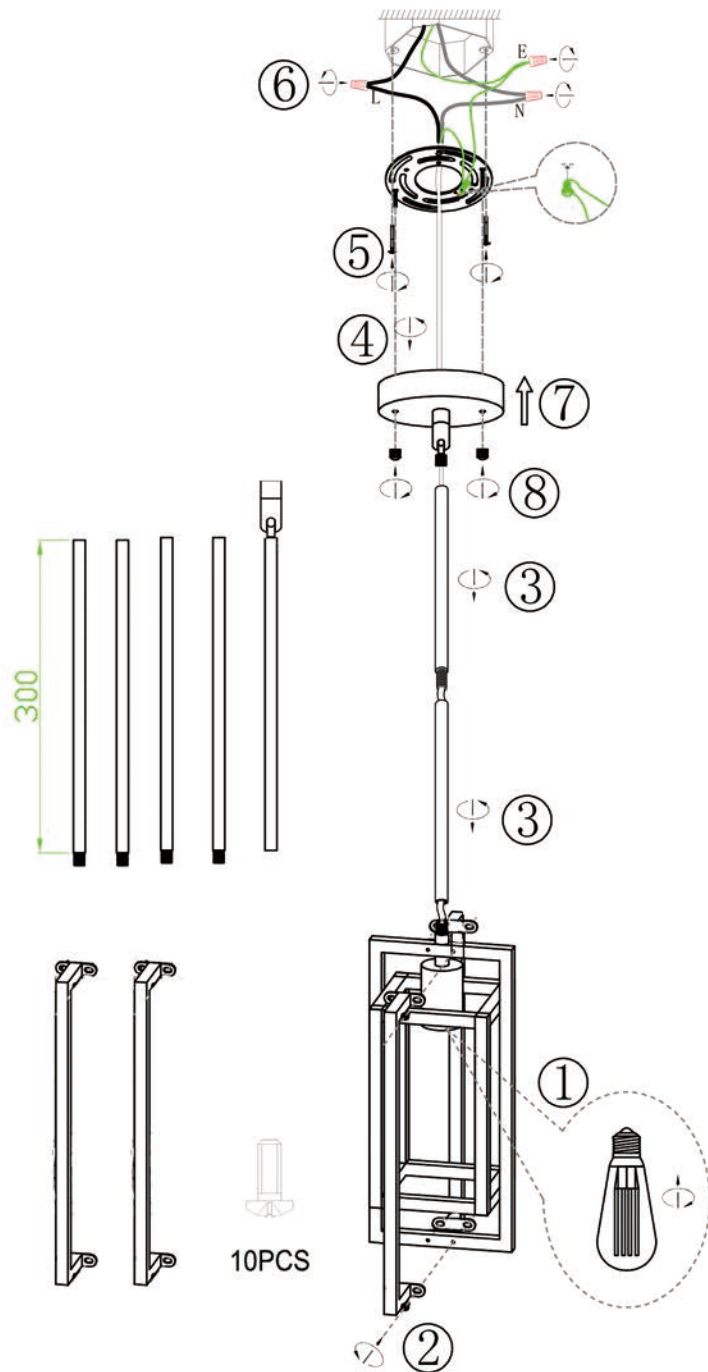


Installation steps:

1. Install light source (not including light bulb)
2. Fasten the tube to the frame with screws
3. Round tube tightened on the frame (length can be spliced)
4. Tighten the canopy onto the round pipe
5. Secure the mounting bracket to the junction box with screws
6. Connect the main line and ground cable of the lamp body to the cables reserved on the junction box
- 7-8. Cover the canopy on the mounting bracket, and then tighten the decorative nuts to secure it



Notice:

1. Before installation, please check whether the parts are complete and whether the lamps are in good condition.
2. Cut off the power supply before installation, and then perform wiring.
3. Install the lamp body first, and then install the power supply.
4. Installation and maintenance must be carried out by professional and technical personnel.