

Features

- Catalyzed conversion varnish provides a durable moisture-resistant finish.
- Two doors.
- Frameless construction with full-overlay doors.
- Three-way adjustable slow-close door hinges for easy cabinet access.
- Wall-hung design offers a clean, streamlined look.
- Coordinates with the K-99688 Jute bar pull (sold separately).
- Combines with Ceramic/Impressions®, Solid/Expressions®, and Iron/Impressions® vanity tops (sold separately) for a complete vanity.
- Customize your storage with optional accessories such as shelves, trays, drawer dividers, and medicine cabinets (sold separately).



Material

- Solid wood and veneers.
- Wood is a living material, and its beauty is enhanced by natural variations in grain, color, and pattern. No two pieces of wood are exactly the same, and the color will change with age, temperature, and exposure to light.
- The nature of wood grain can cause variations in stain depth. Our expert craftspeople hand-apply the stain to blend these variations.

Codes/Standards

EPA TSCA Title VI
CARB P2

KOHLER® One-Year Limited Warranty

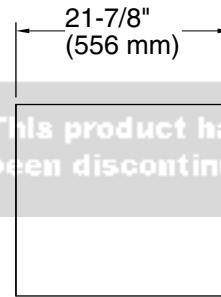
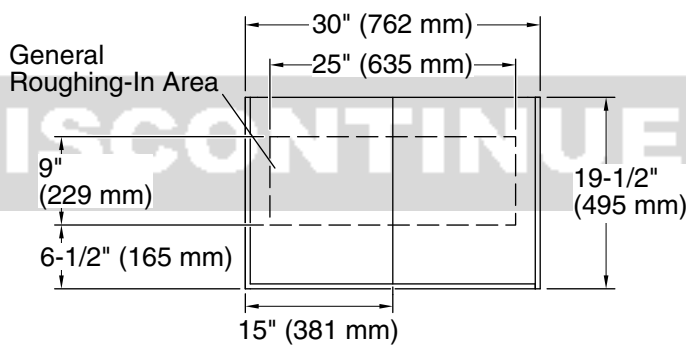
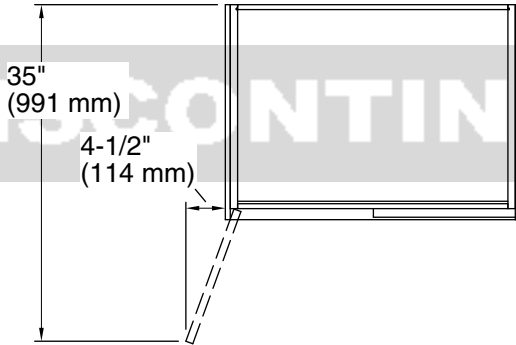
See website for detailed warranty information.

Recommended Products/Accessories

- K-5456 31" vanity top with single Verticyl® rectangular cutout
- K-5422 31" vanity top with single Verticyl® oval cutout
- K-5437 Bathroom Vanity Top
- K-99686 Cabinet knob
- K-99689 3" cabinet pull
- K-2779-1 31" Vitreous china vanity top with integrated rectangular sink
- K-2779-8 31" Vitreous china vanity top with integrated rectangular sink
- K-23736 Furniture polish

Optional Products/Accessories

- K-99665 Framed Mirror
- K-99681 Electrical outlets for KOHLER Tailored® vanities
- K-99682 General storage package for KOHLER Tailored® vanities
- K-99683 Makeup storage package for KOHLER Tailored® vanities
- K-99684 Drawer divider package for KOHLER Tailored® vanities
- K-99668 Lap Drawer
- K-99676 Filler strip for KOHLER Tailored® vanities



Technical Information

All product dimensions are nominal.

Vanity type: Wall-mount

Notes

Install this product according to the installation guide.

Decorative cabinet hardware is not supplied. Refer to the KOHLER bath accessories line for recommended cabinet hardware to complement your vanity.

Select the type of fastener based upon the wall material. Two 500 lb (227 kg) minimum load bearing fasteners are recommended.