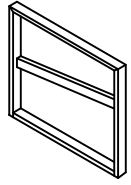
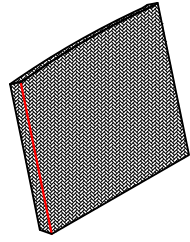


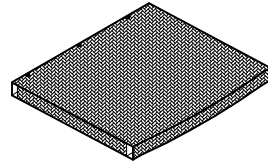
SINGLE SOFA



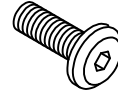
A*2PCS



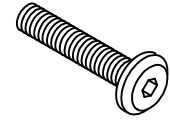
B*1PC



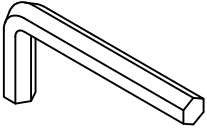
C*1PC



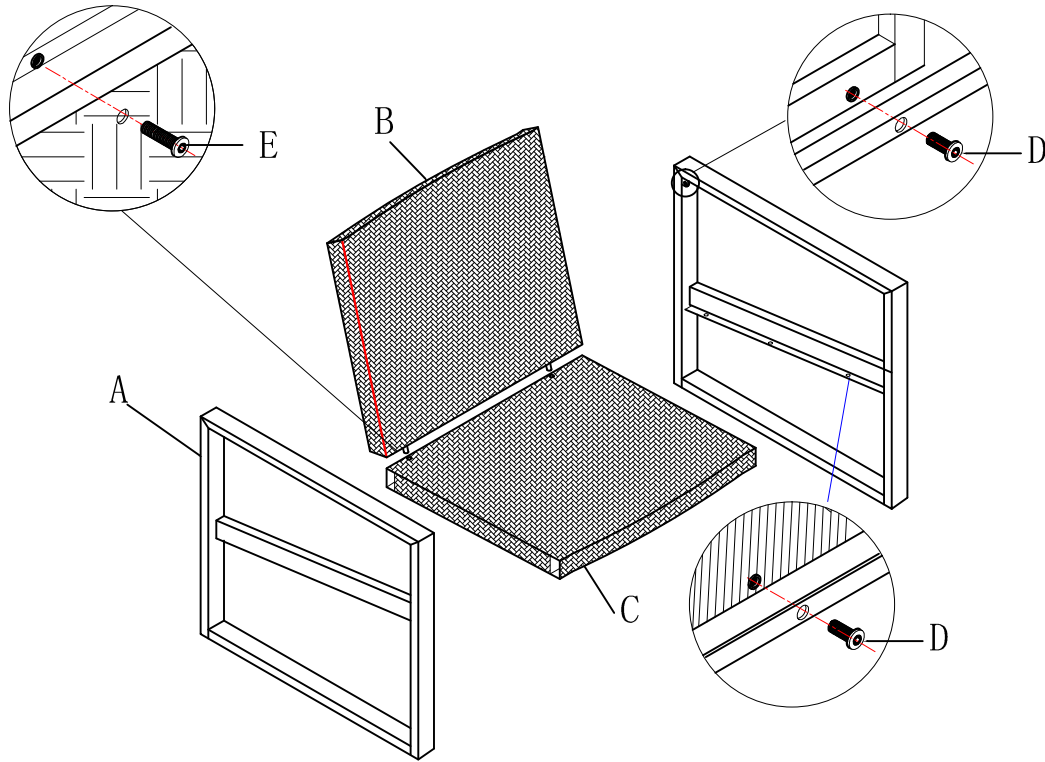
D:M6*20*8PCS



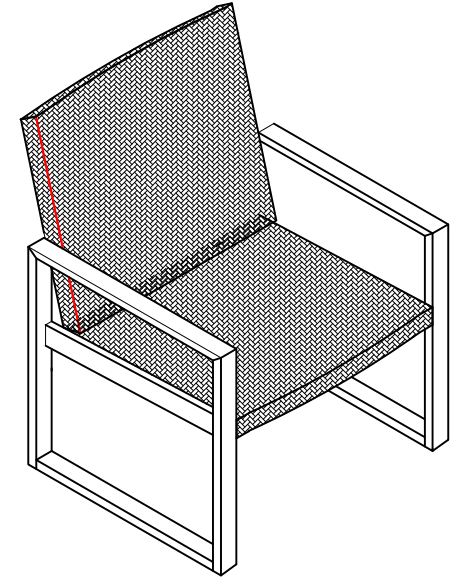
E:M6*60*2PCS



F:4MM*1PC



1



2