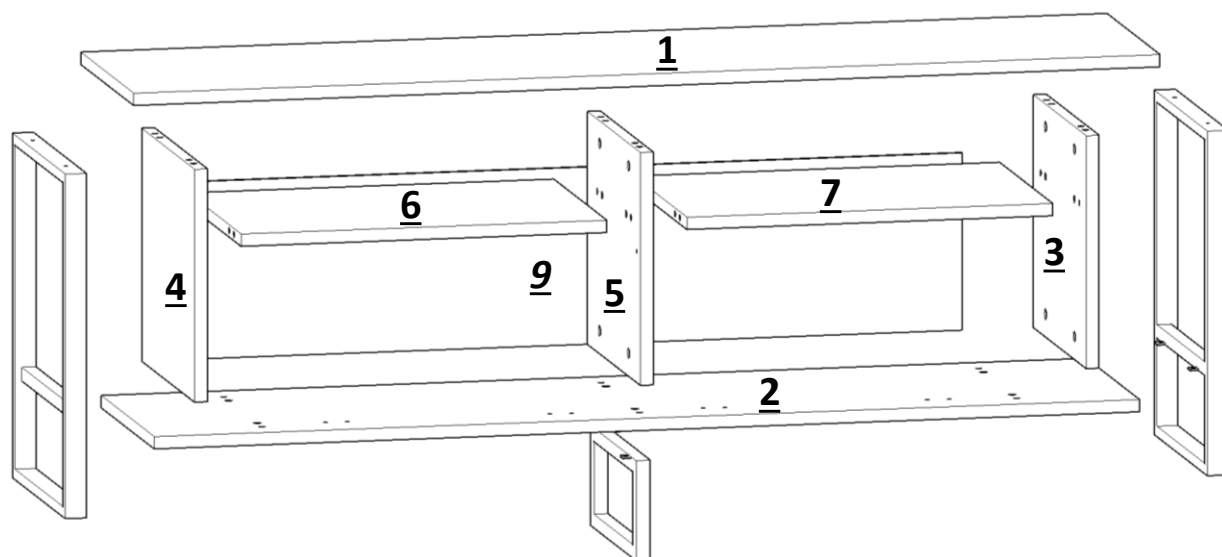
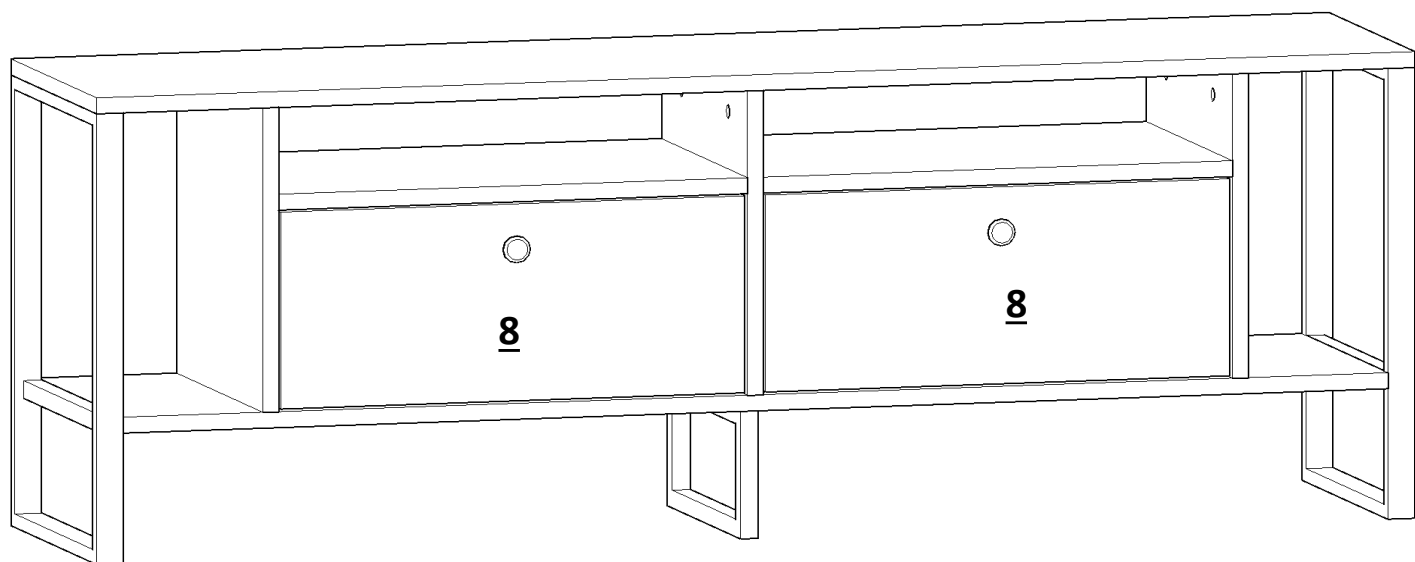


We're here to help - Do not return this product !

Call, email or find us online first !

- If you need help with assembly
- If you received a damaged or defective part
- If you are missing hardware



Read these assembly instructions carefully before beginning. Verify that you have in hands all the wood parts and hardware. Keep this document for future reference.



Two people are required to assemble and move this unit.



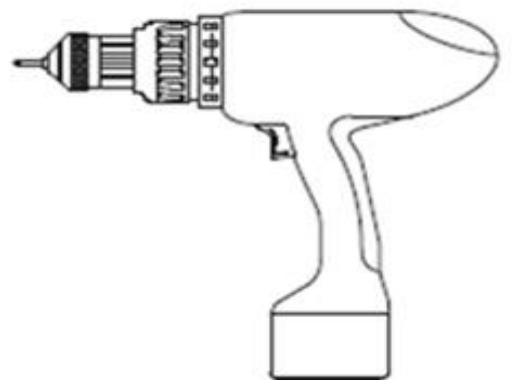
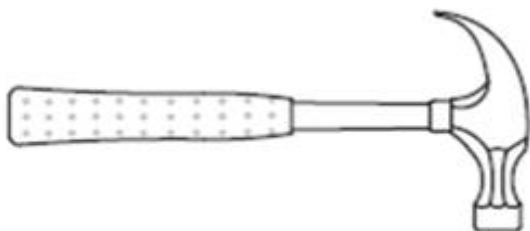
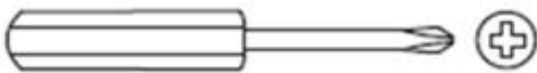
Safety First! Do not allow children to climb on or play with furniture.



Never leave liquids or damp clothes on your furniture. Never use chemical product to clean your furniture. Do not place your furniture in direct sunlight.


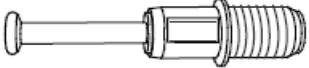

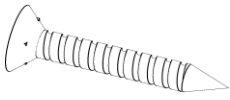
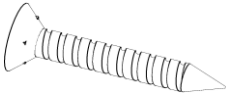

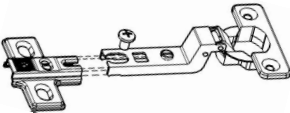
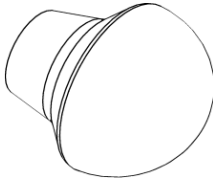
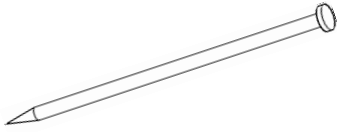

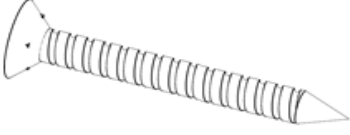
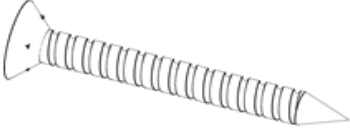
To clean your furniture, dampen a soft cloth with a mild solution of dishwashing liquid. Squeeze excess water. Clean unit and wipe it dry.

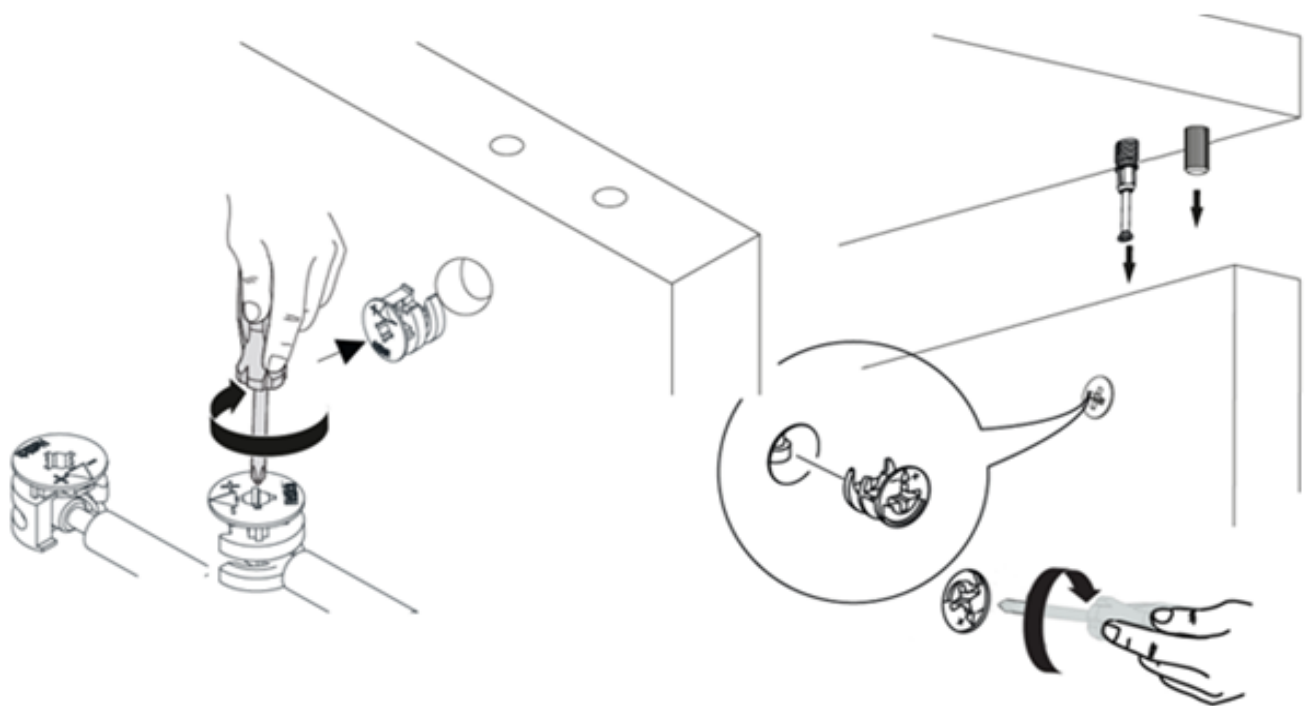
Tools required



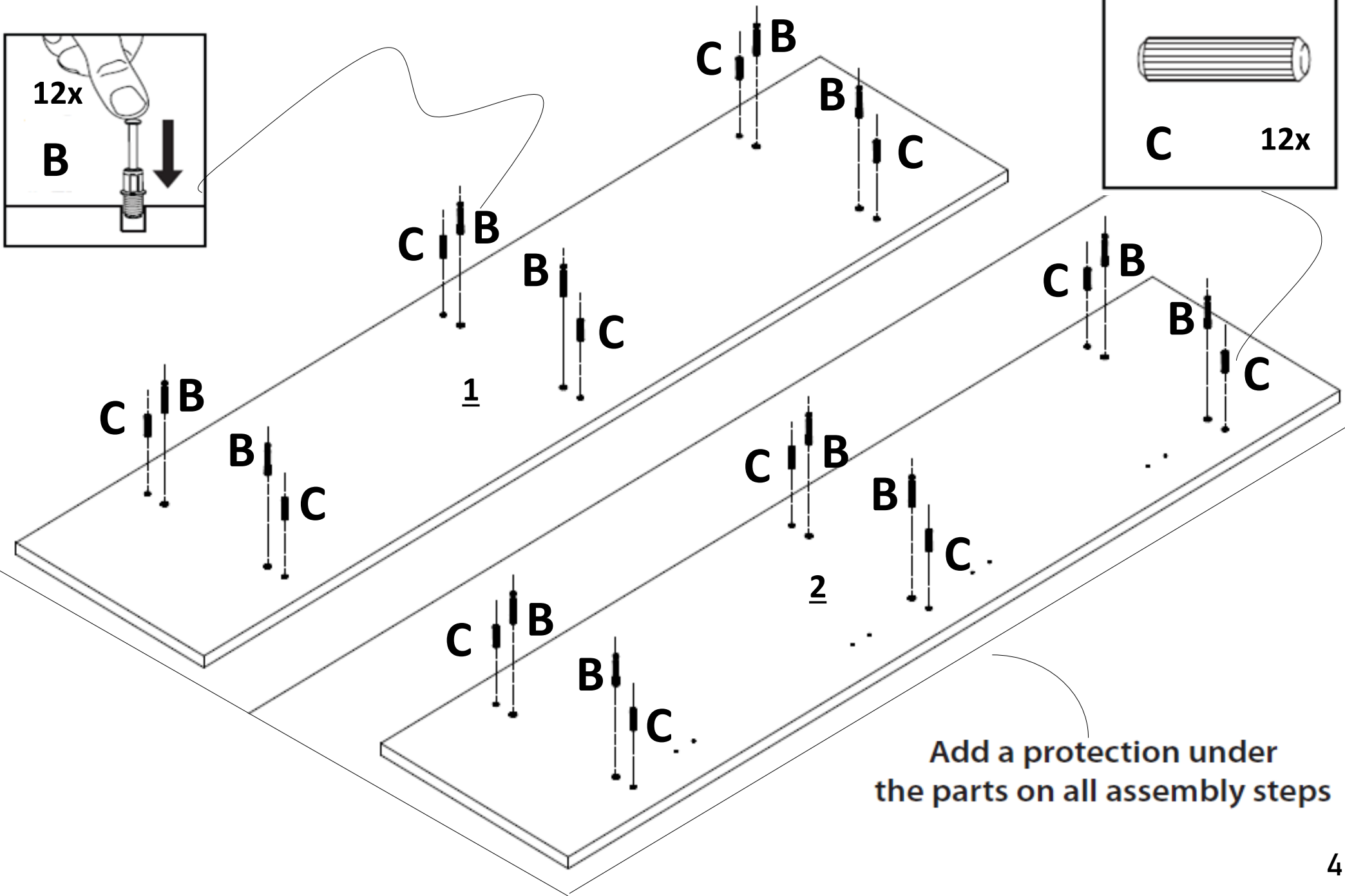
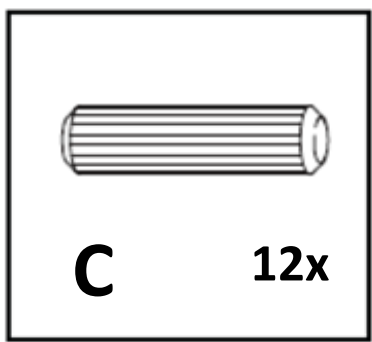
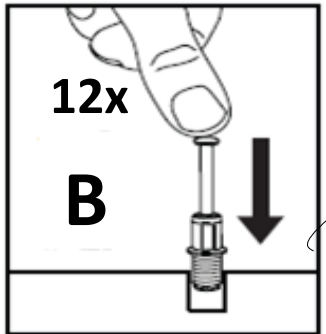
For step 10

Hardware List

<p>20x</p> <p>A</p> 	<p>20x</p> <p>B</p> 	<p>20x</p> <p>C</p> 
<p>6x</p> <p>D</p> <p>BLACK</p> 	<p>16x</p> <p>E</p> 	<p>2x</p> <p>F</p> 
<p>4x</p> <p>G</p> 	<p>2x</p> <p>H</p> 	<p>13x</p> <p>J</p> 
<p>20x</p> <p>K</p> 	<p>4x</p> <p>L</p> <p>BLACK</p> 	<p>2x</p> <p>M</p> 



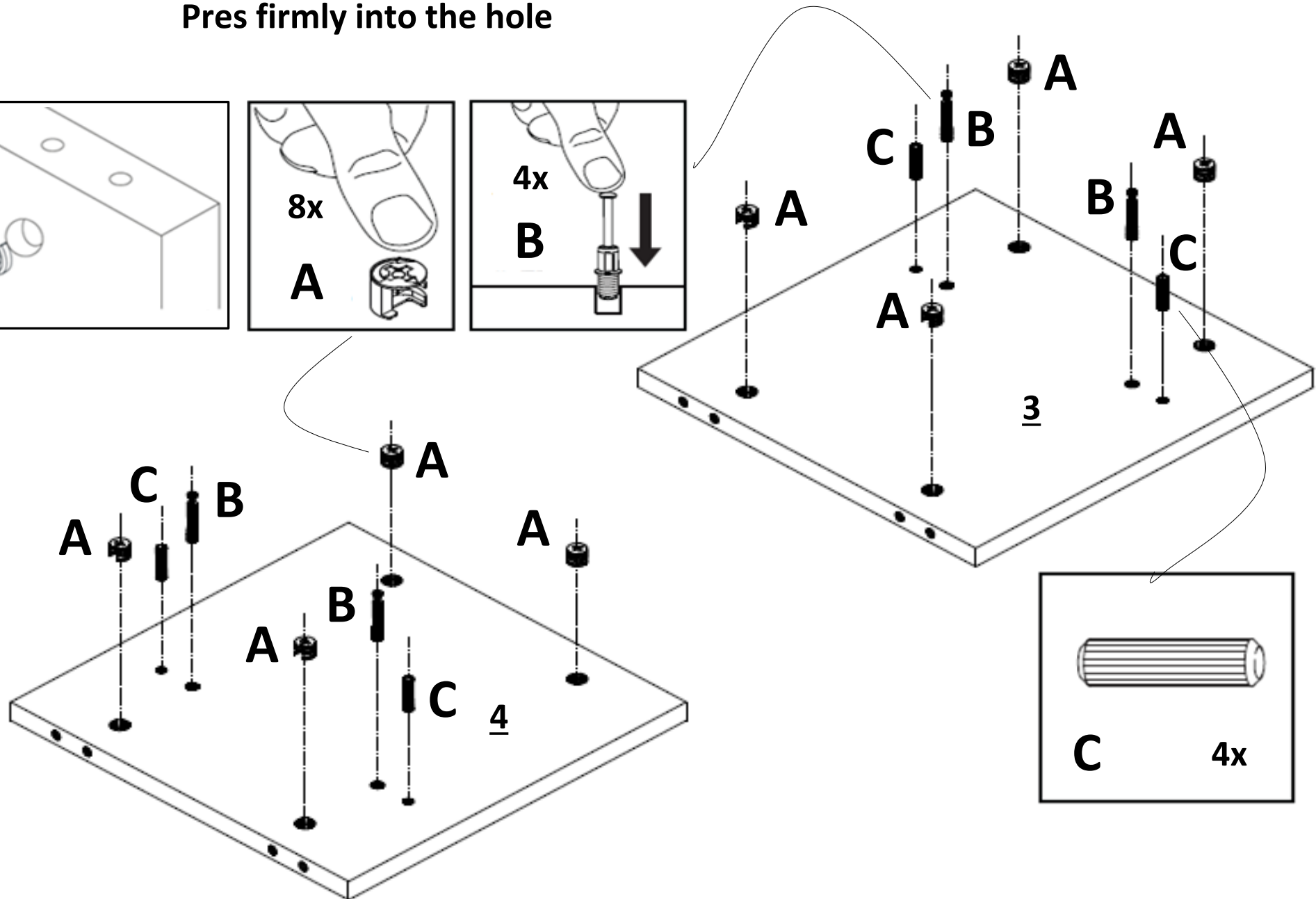
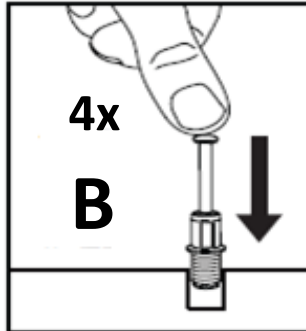
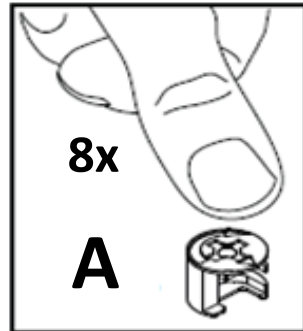
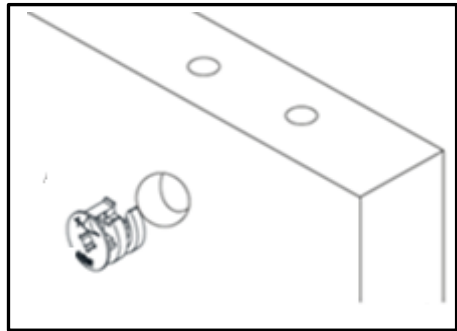
1 Install the 12 push bolts and 12 dowels into the panels 1 and 2



Add a protection under the parts on all assembly steps

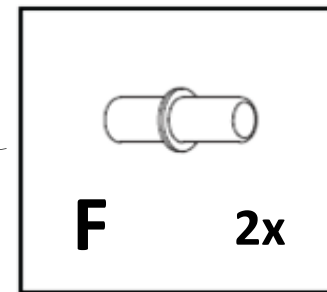
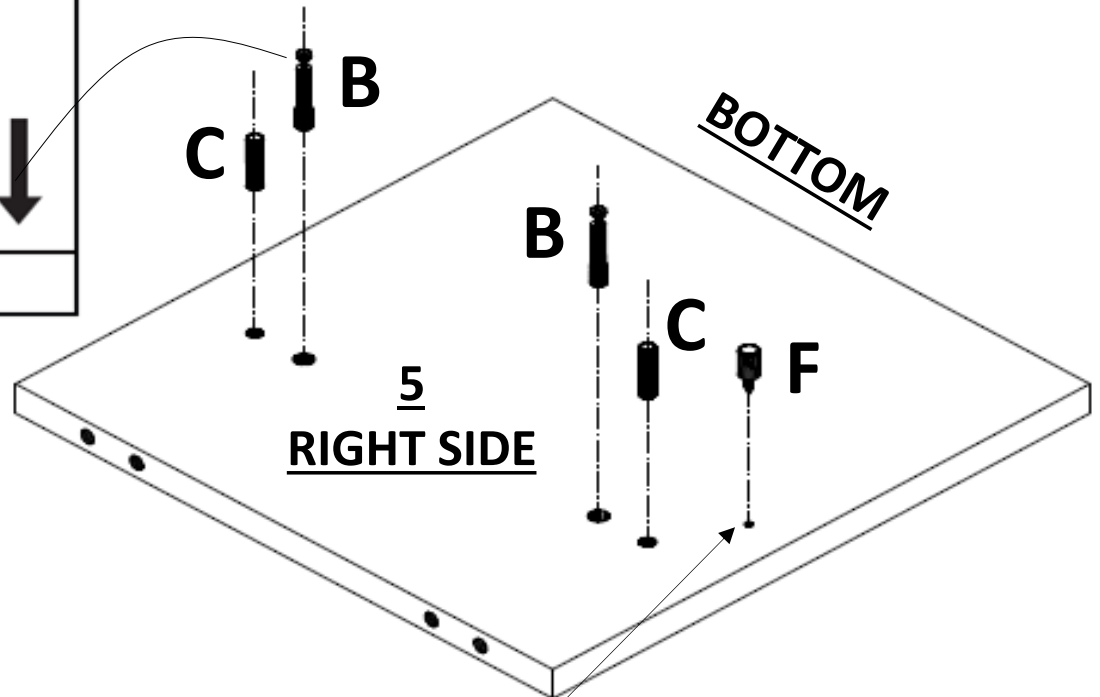
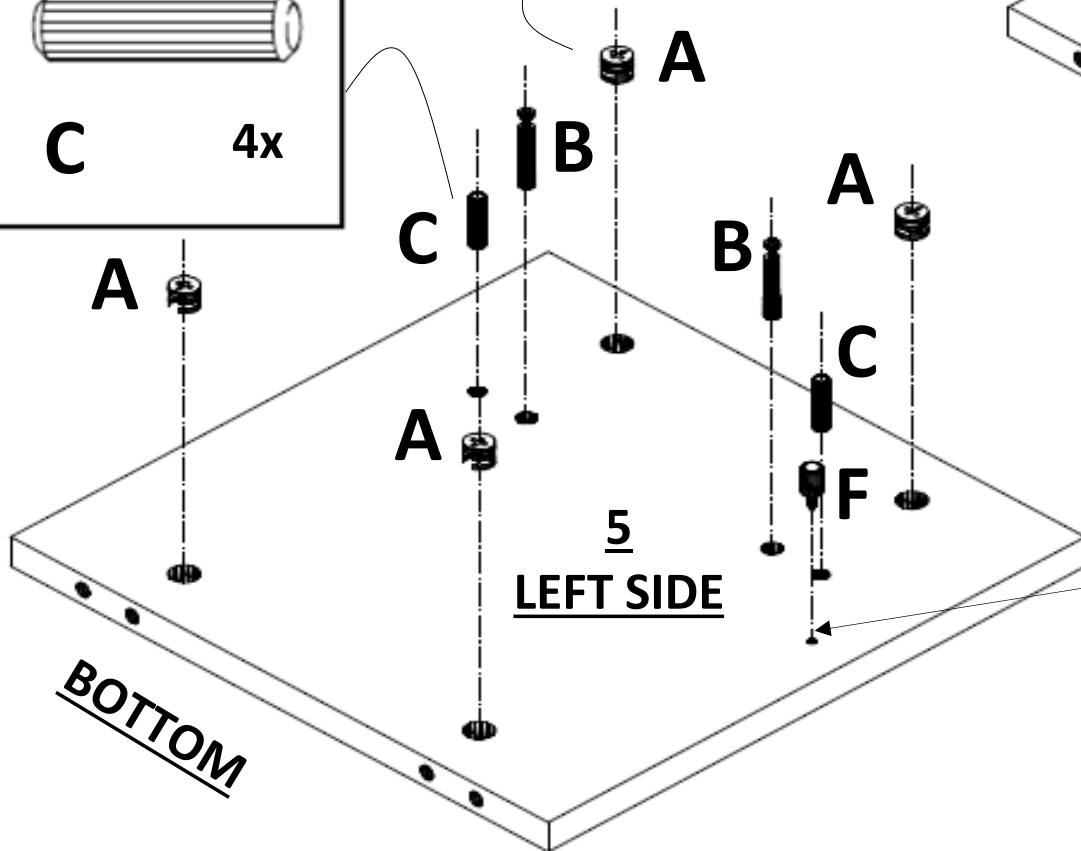
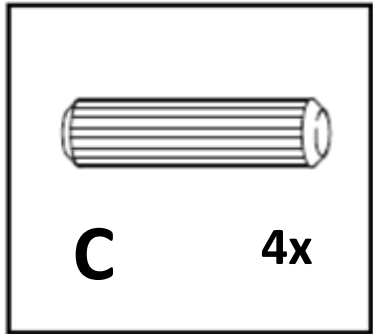
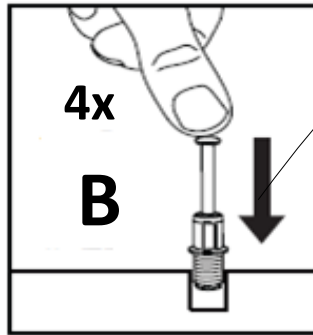
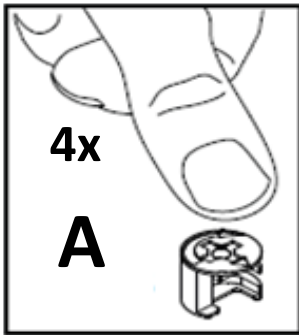
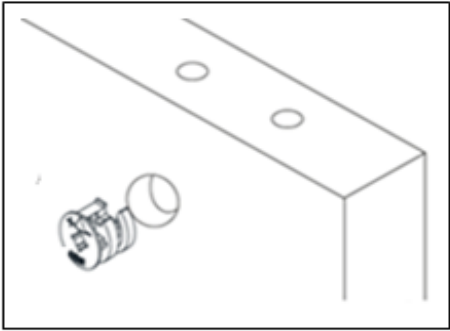
2 Insert the 8 cam locks, install the 4 push bolts and 4 dowels into the panels 3 and 4

Press firmly into the hole



3 Insert the 4 cam locks, install the 4 push bolts and 4 dowels into the panel 5

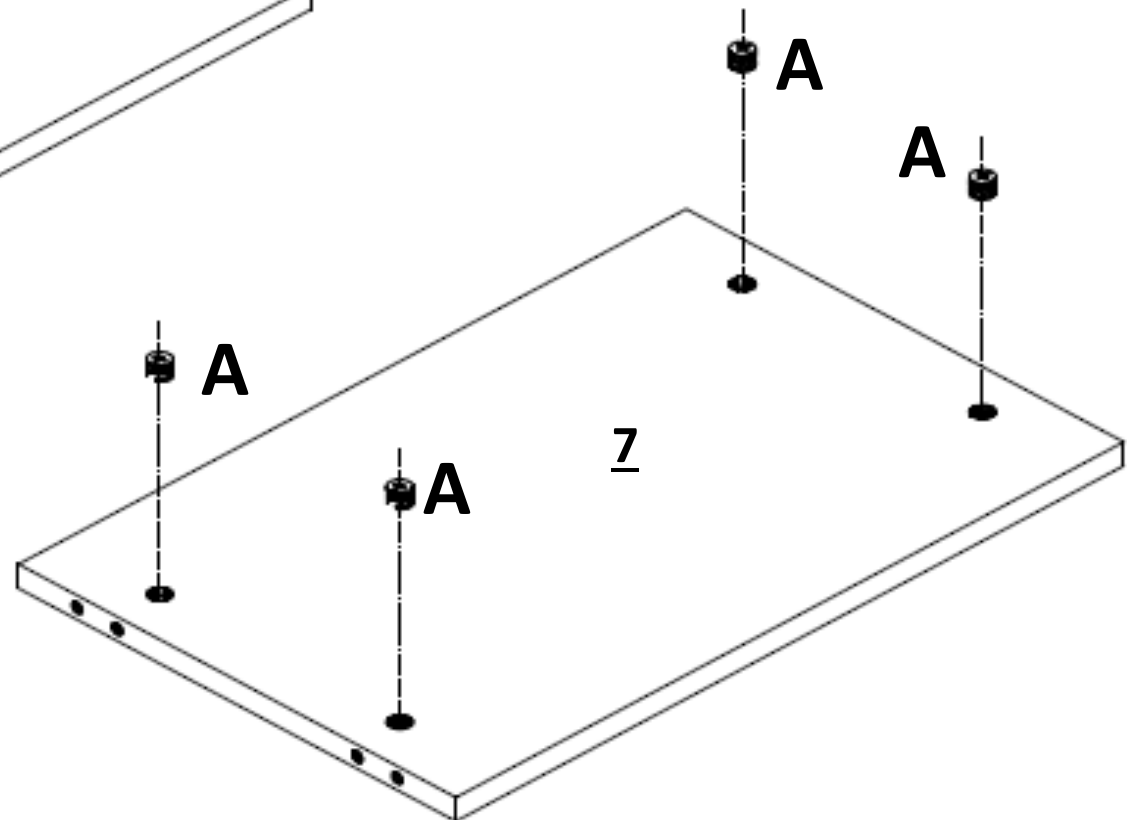
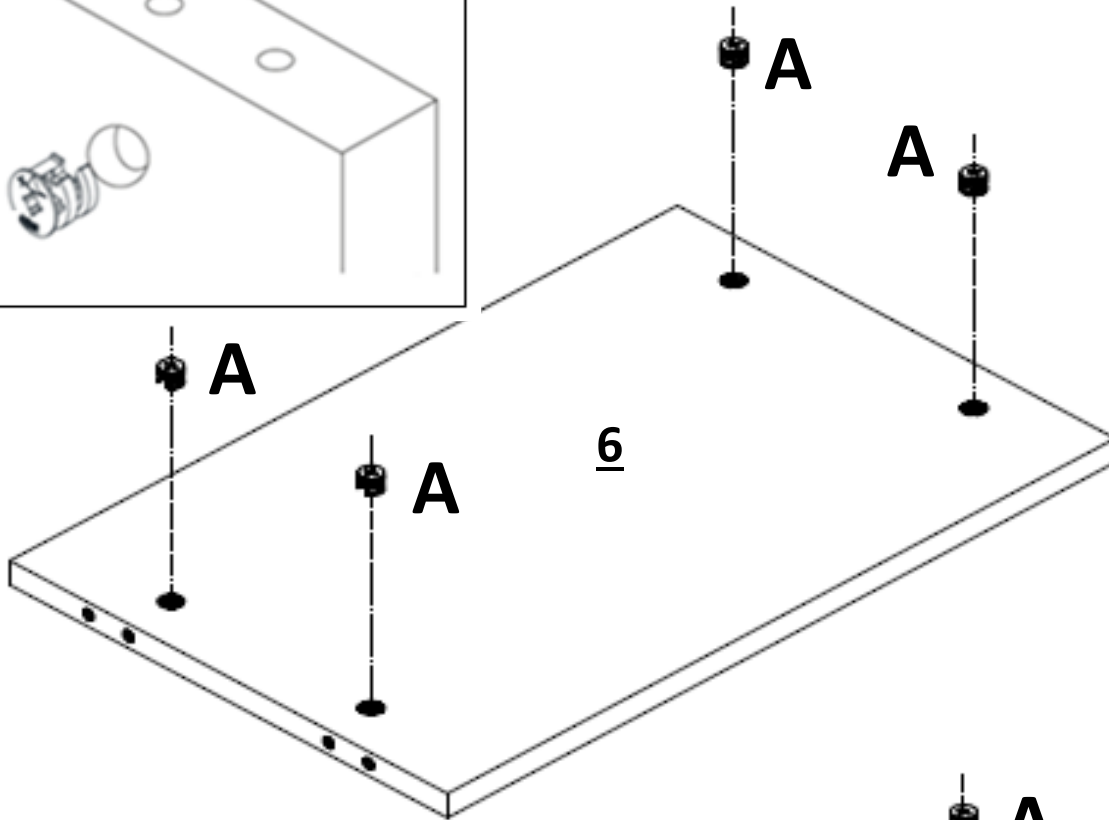
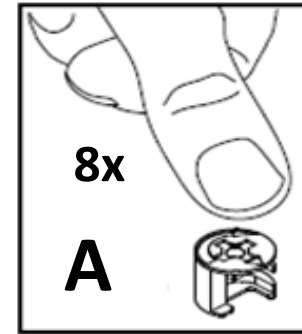
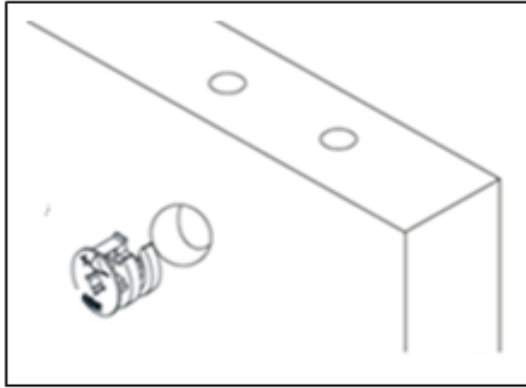
Pres firmly into the hole



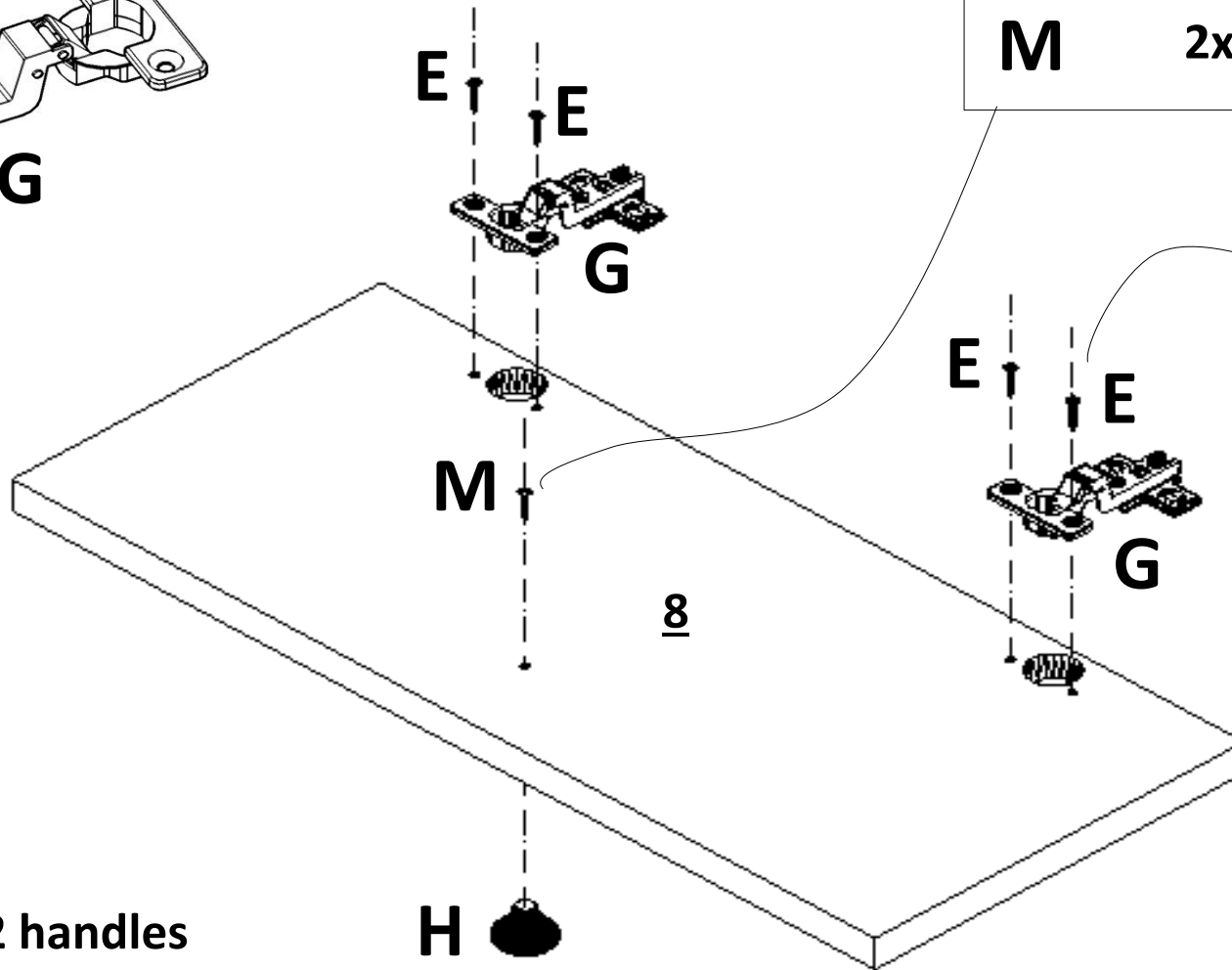
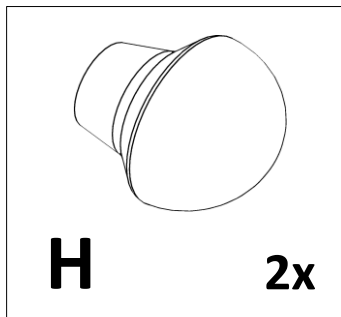
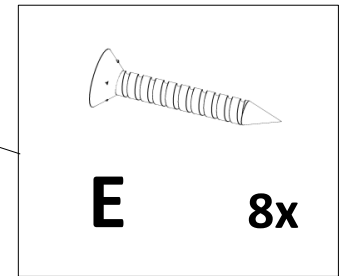
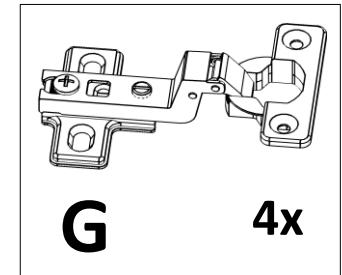
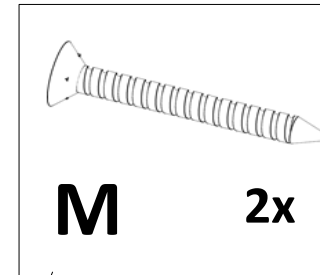
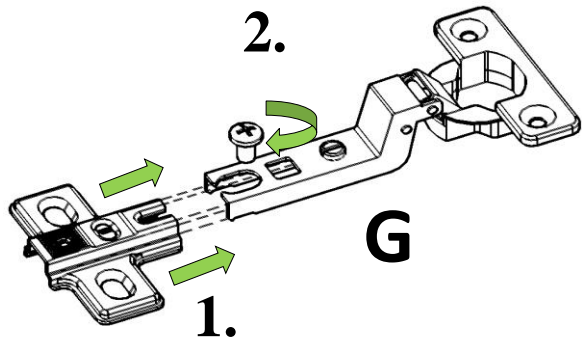
4 Install the 2 stopper into the panel 5

5 Insert the 8 cam locks into the panels 6 and 7

Pres firmly into the hole

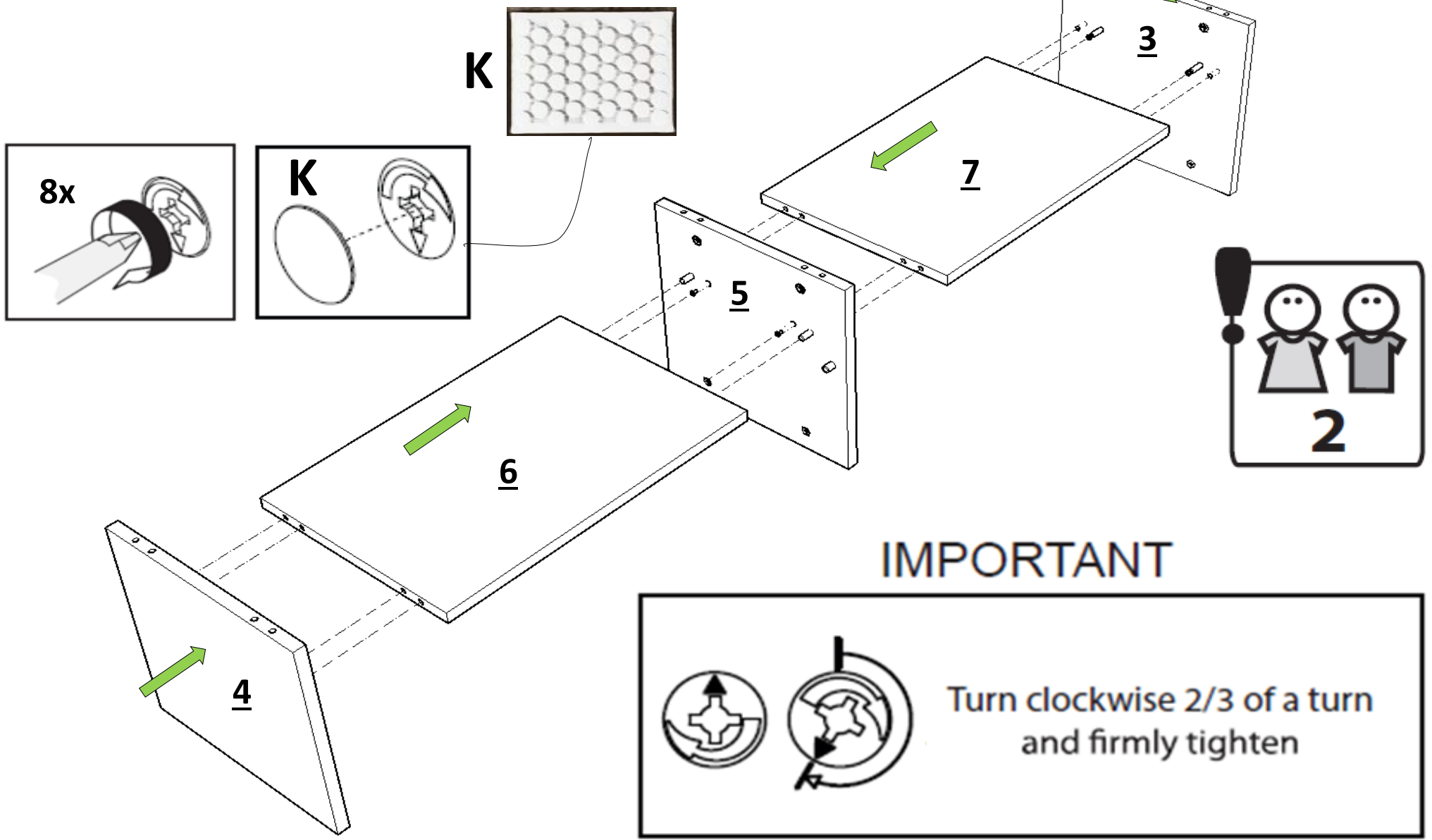


6 Fasten the 4 hinges to a pair of 2 doors 8

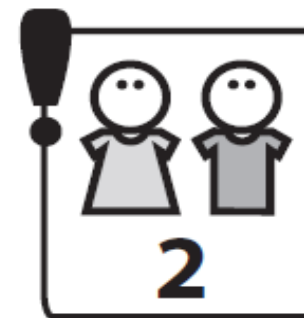
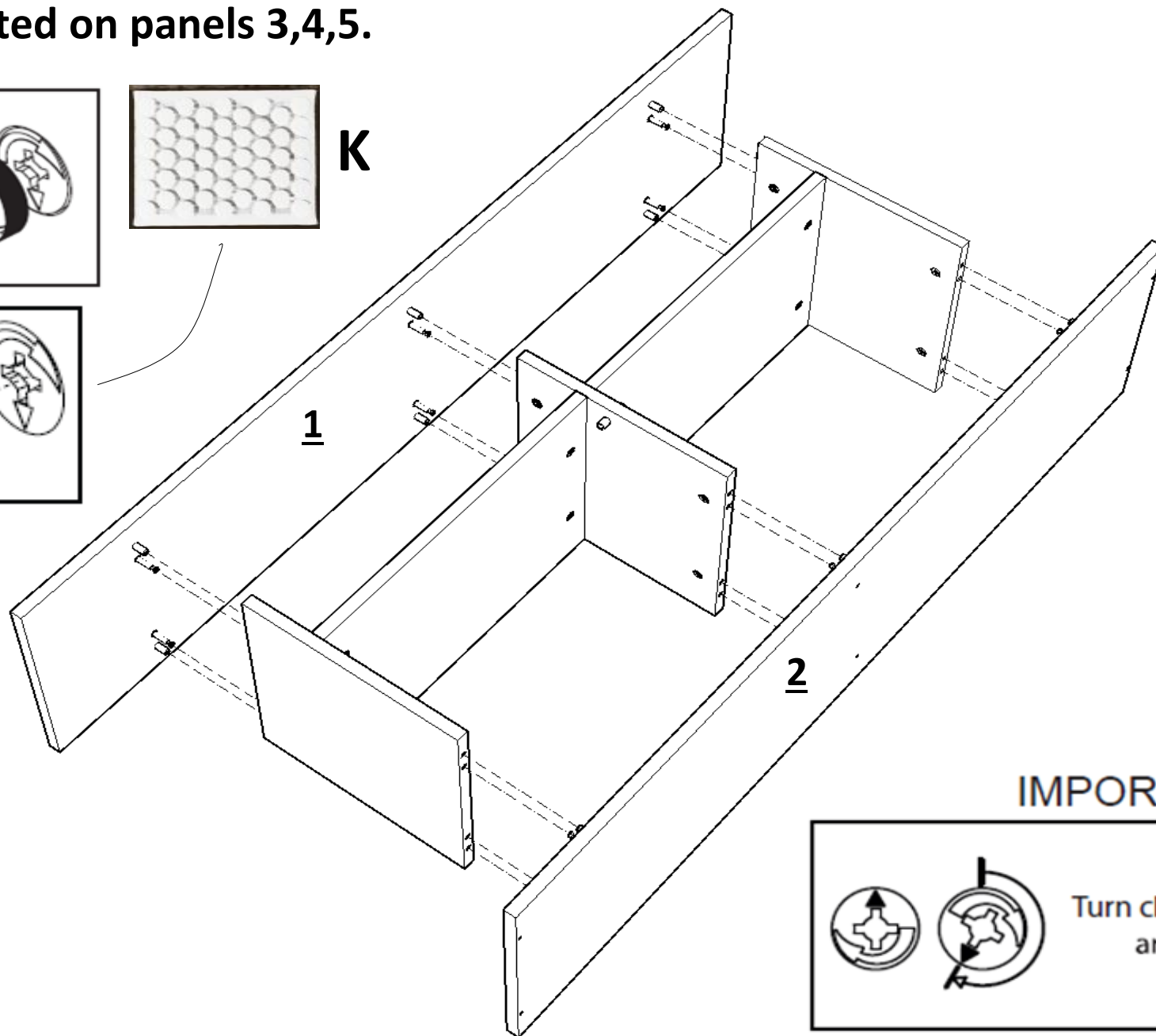
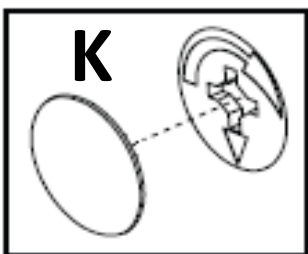
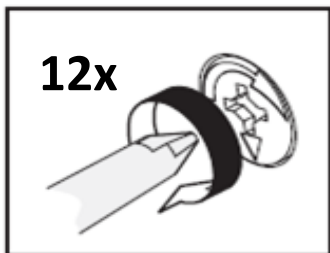


7 Install the 2 handles into the 2 doors 8

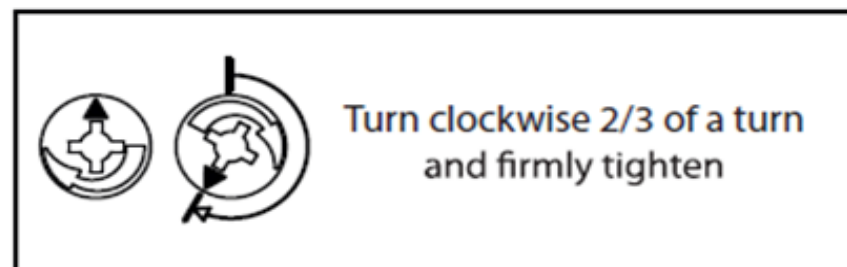
8 Fasten the panel 3,4,5 to the panels 6 and 7. Then tighten the 8 cam locks located on panels 6 and 7



9 Fasten the panel 1 and 2 to the panels 3,4,5. Then tighten the 12 cam locks located on panels 3,4,5.

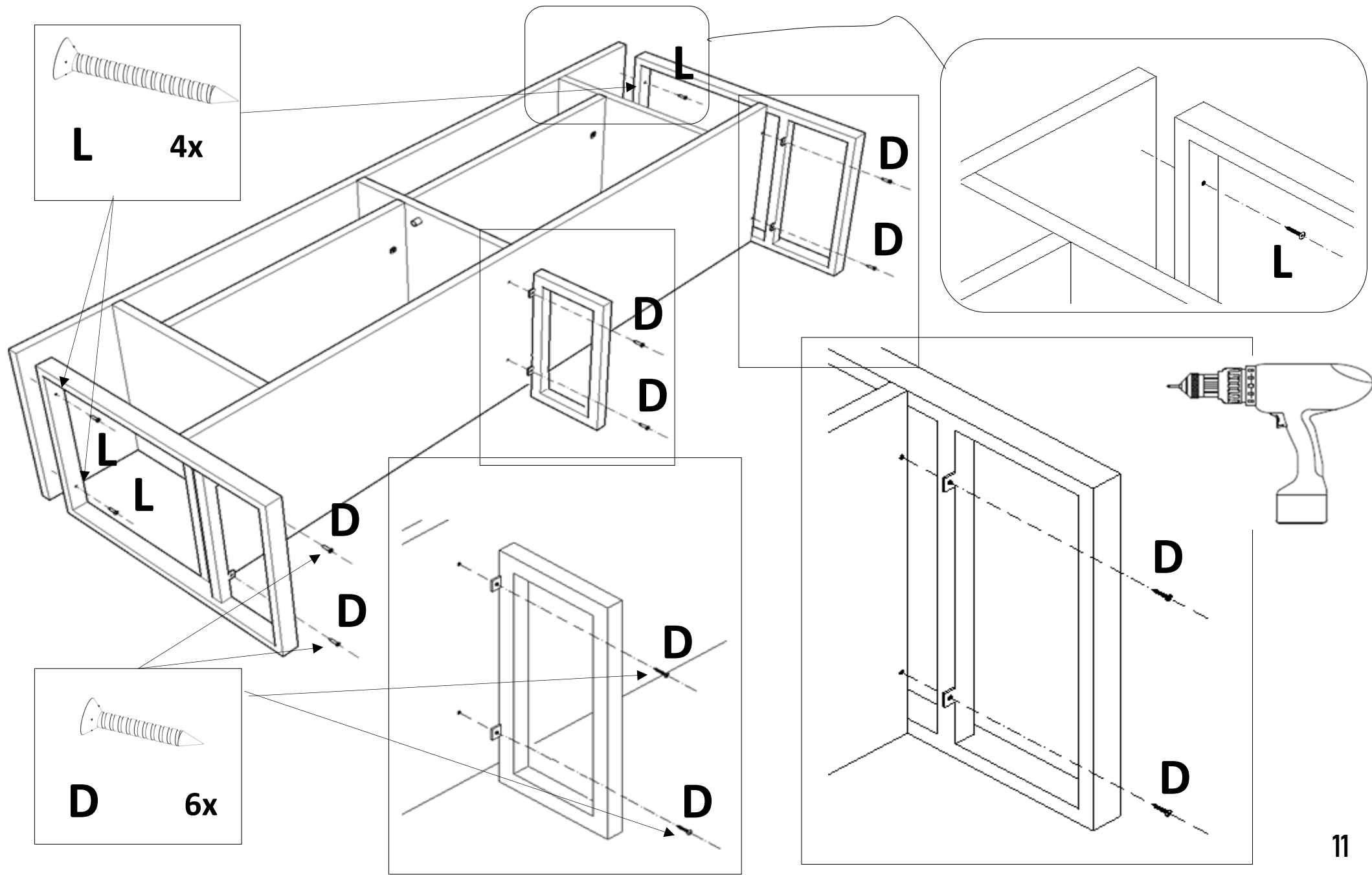


IMPORTANT

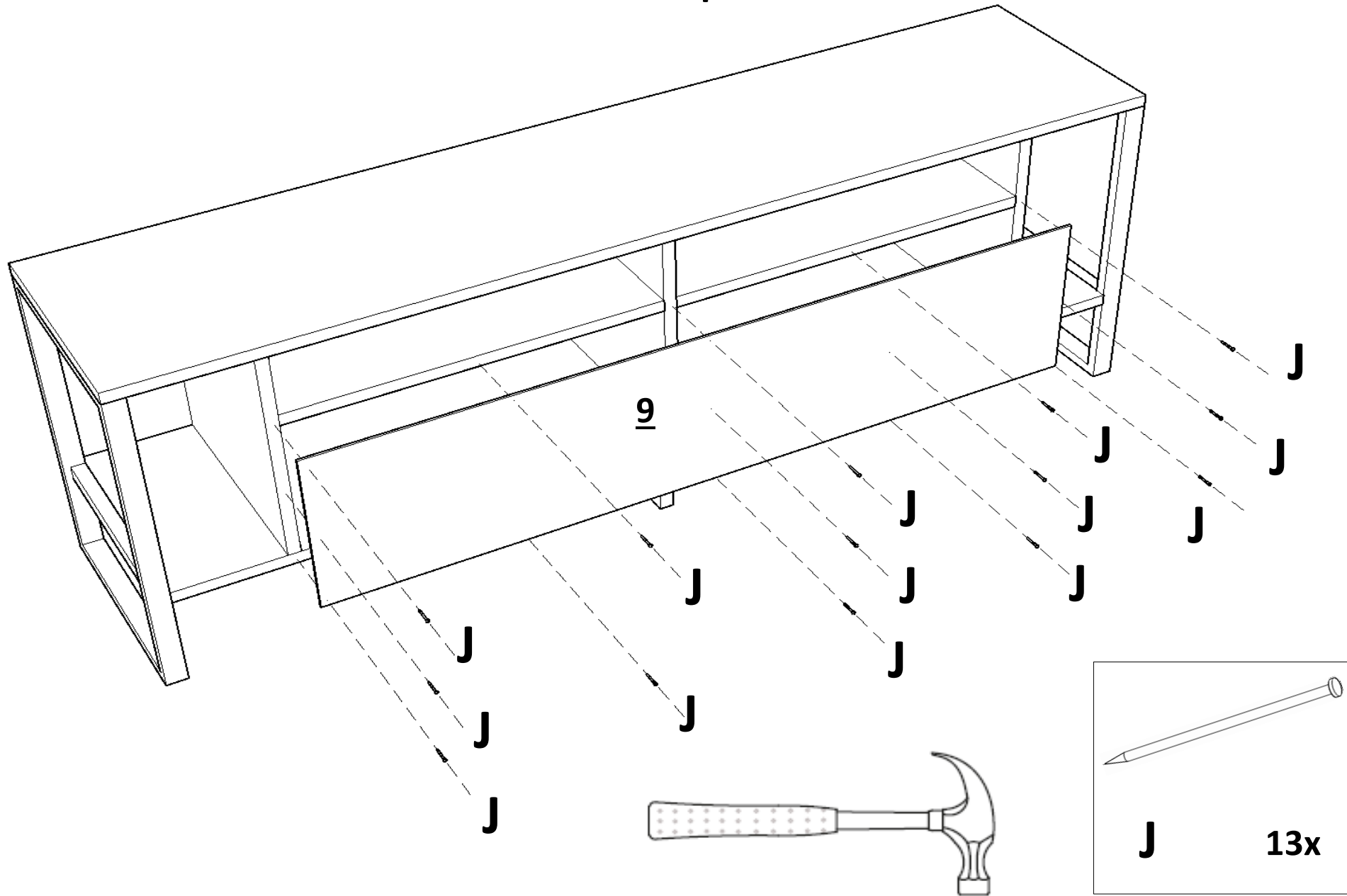


10

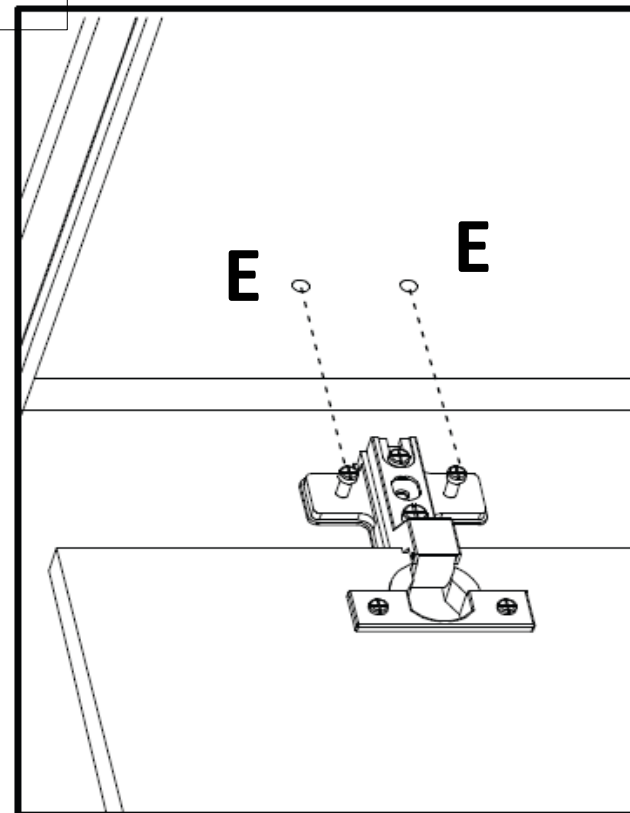
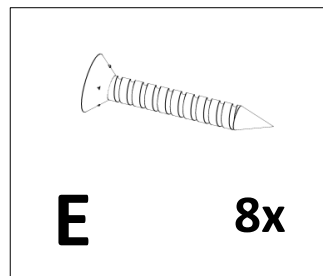
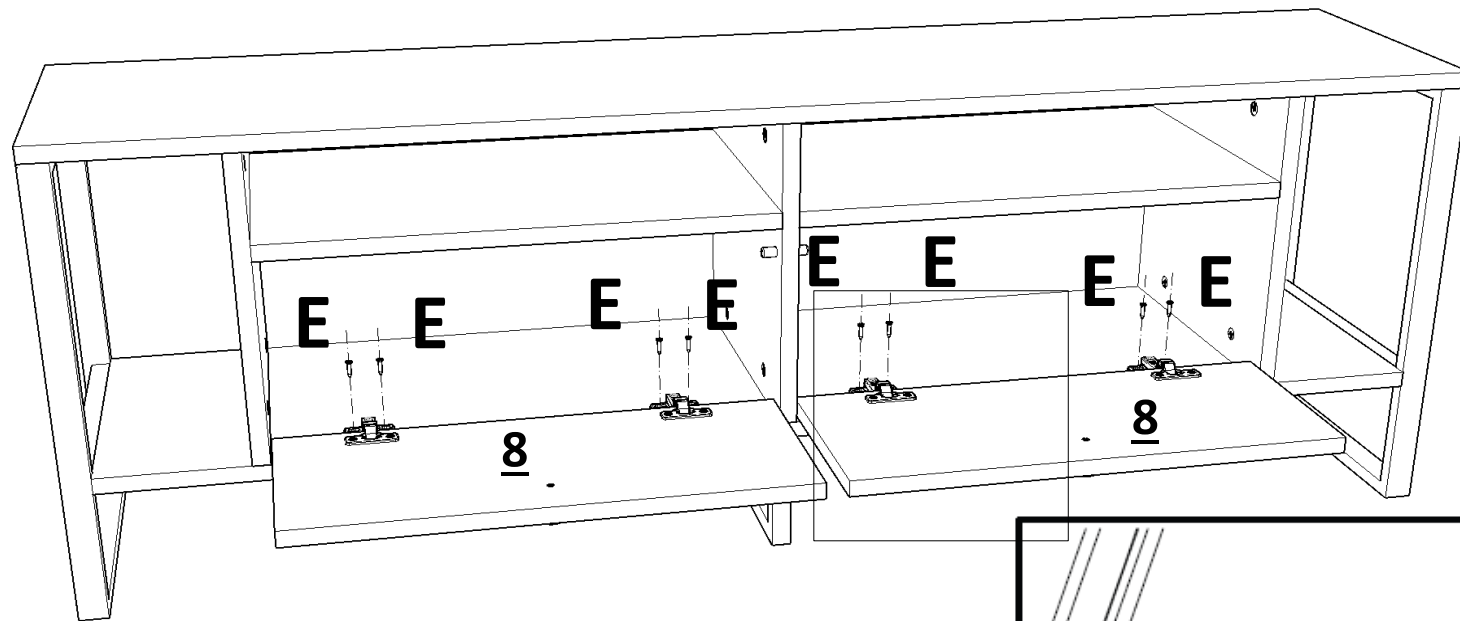
Use the 4 screws to faster right and left legs to the panel 1, use to 6 screws to fasten middle leg, right leg and left leg to the panel 2



11 Use the nails to fasten the back panel to the unit.



12 Fasten the doors 8, with the hinges, to the panel 2.



13 Adjustment of hinges.

