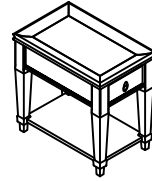


ASSEMBLY INSTRUCTIONS

CHAIRSIDE TABLE



TOOLS REQUIRED:

Allen Wrench (supplied, part # D)
Screw Driver (Not Supplied)

BEFORE YOU START:

1. Check the parts against the parts list to make sure all items are present.
2. Assemble your furniture on a soft, flat surface to avoid scratching the finish.
3. **CAUTION:** Do not over tighten screws, nuts or bolts during assembly.
4. Your furniture may require occasional tightening.

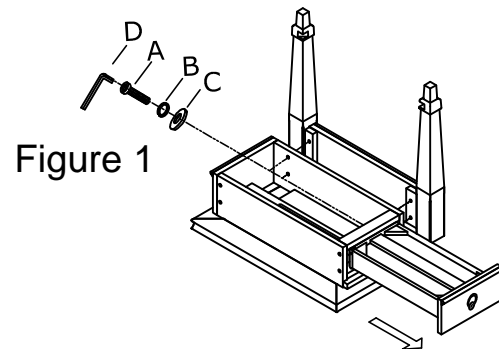
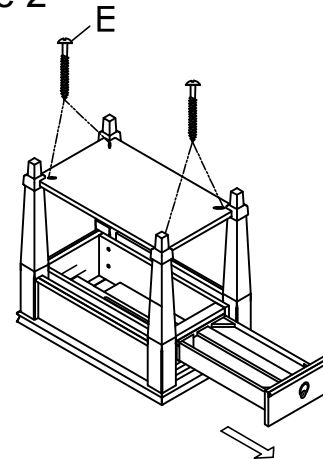


Figure 1

INSTRUCTIONS:

1. Turn the table upside down on a clean soft surface.
2. Pull out the drawer box, so the assembly holes are visible.
3. Attached both leg frames to the table top using bolts (A), lock washers (B) and flat washers (C), tighten with the wrench (D). As shown Fig.1. Repeat for other leg frame but leave bolts loose for shelf attachment.
4. Attach the wood shelf to both side leg frames using screw (E). As shown Fig. 2
5. Tighten all bolts before using the table.

Figure 2



HARDWARE LIST			
NO.	Drawing	Description	Q'TY
A		Allen Bolt (ø1/4*1-1/2")	8 pcs
B		1/4" Spring Washer	8 pcs
C		1/4"*5/8" Flat Washer	8 pcs
D		Wrench	1 pc
E		#8*1-1/4" SCREW	4 pcs

Thank you for purchasing furniture