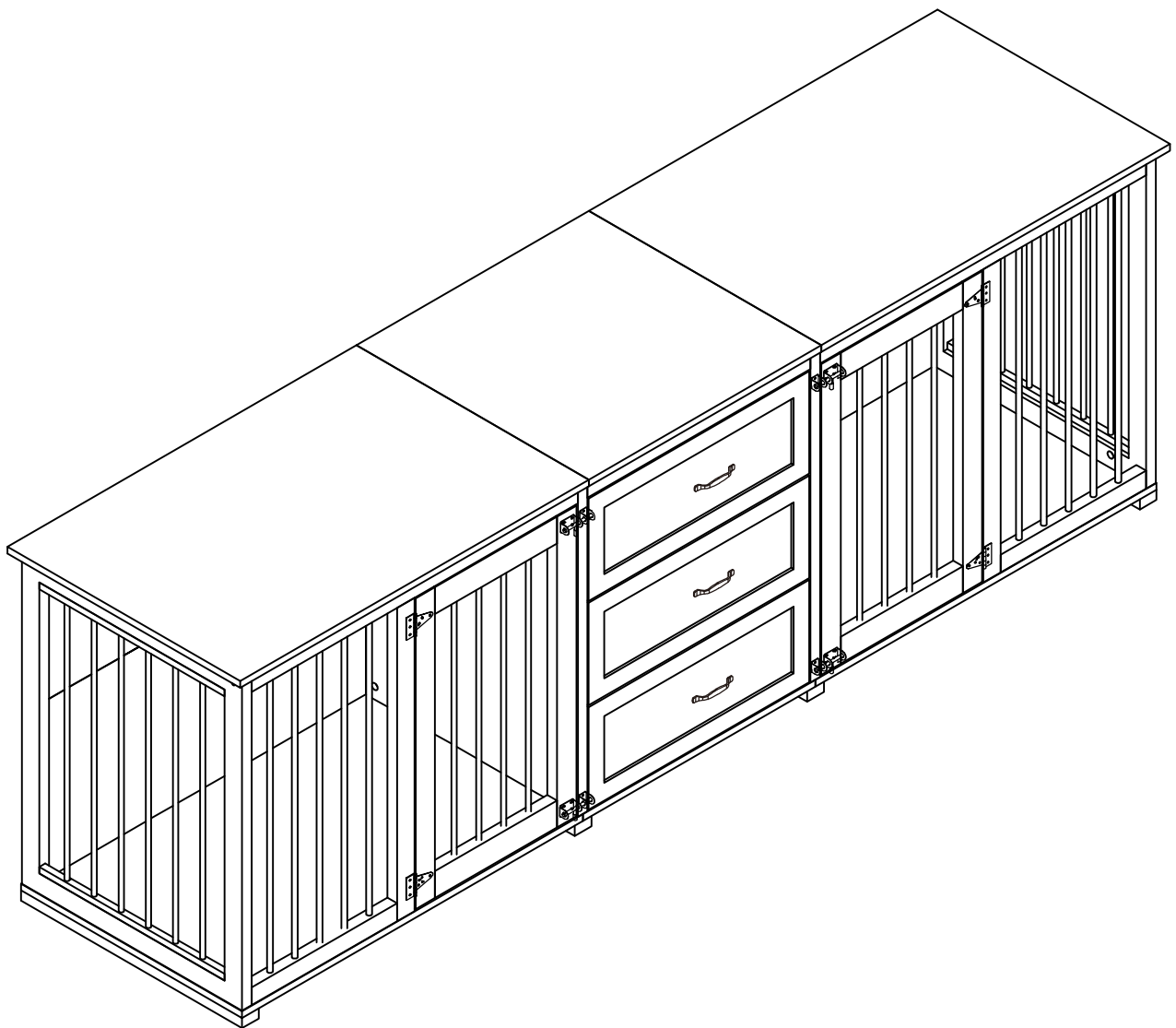
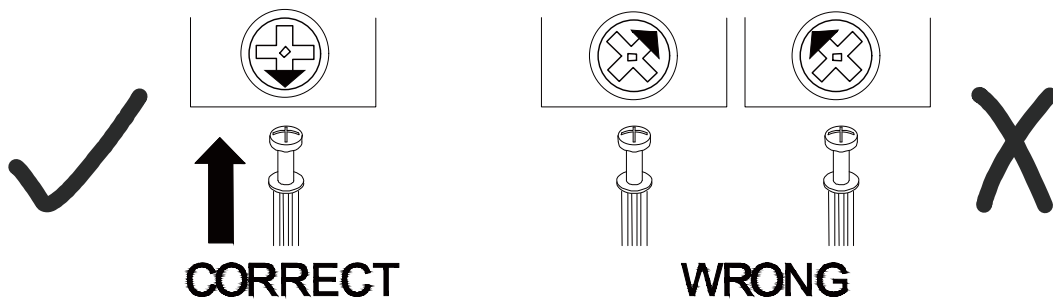
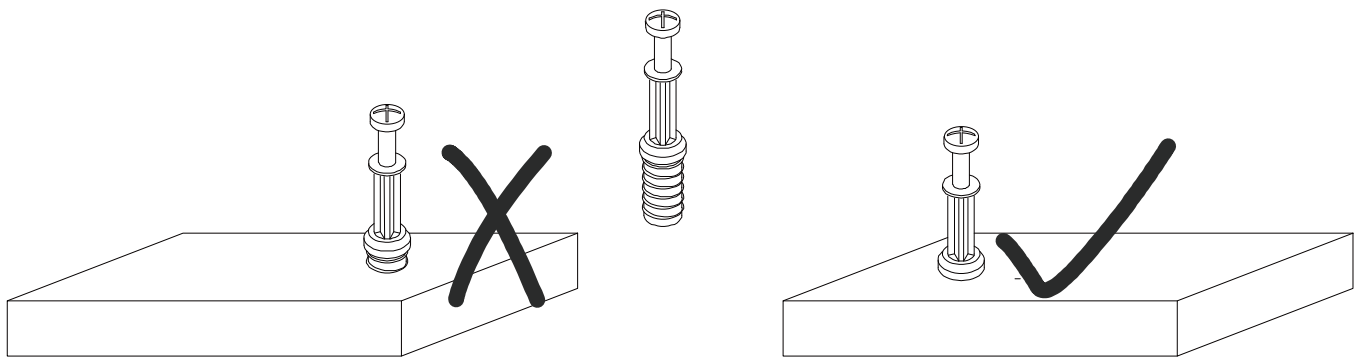


RODUCT INSTRUCTION

C2201011Z

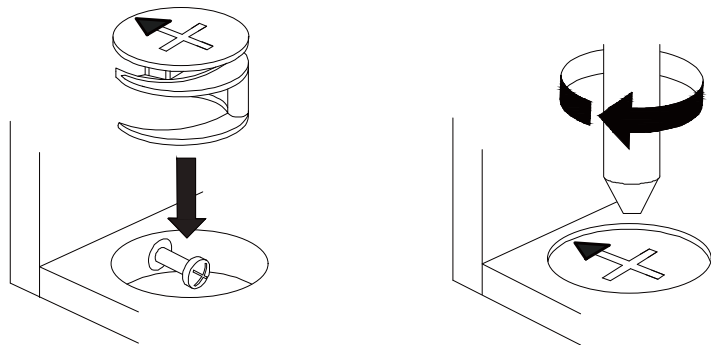


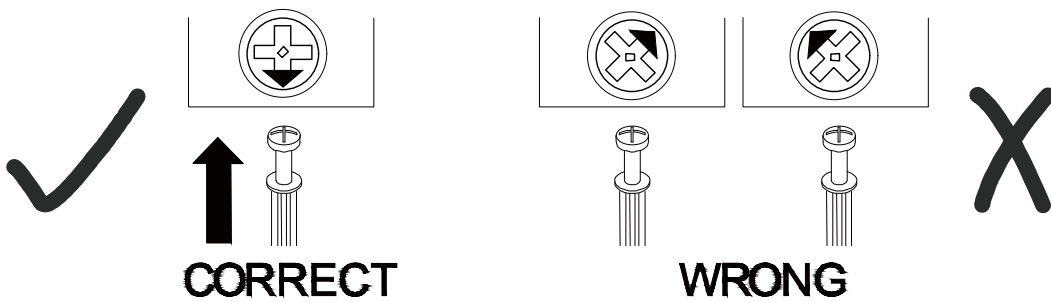
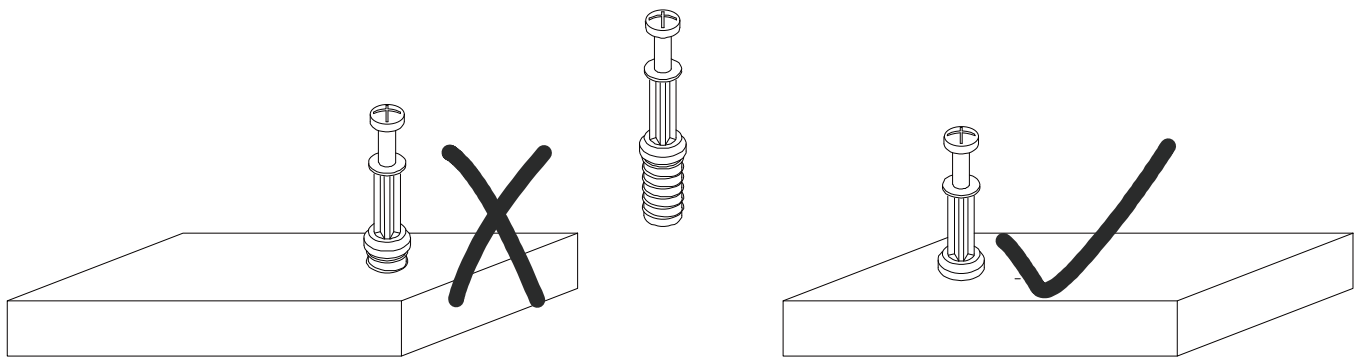


Nut should be in the centre of the cam lock when the two panels are joined. Cam lock should be inserted before nut.

Wenn die beiden Platten verbunden sind, sollte die Mutter in der Mitte des Nockenschlosses sein.

Die Nockenverriegelung sollte vor der Mutter eingeführt werden.

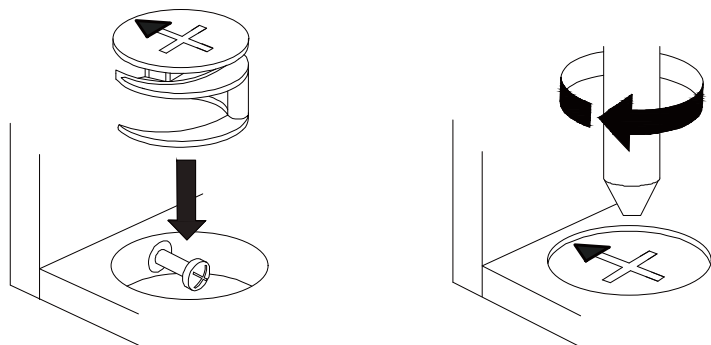


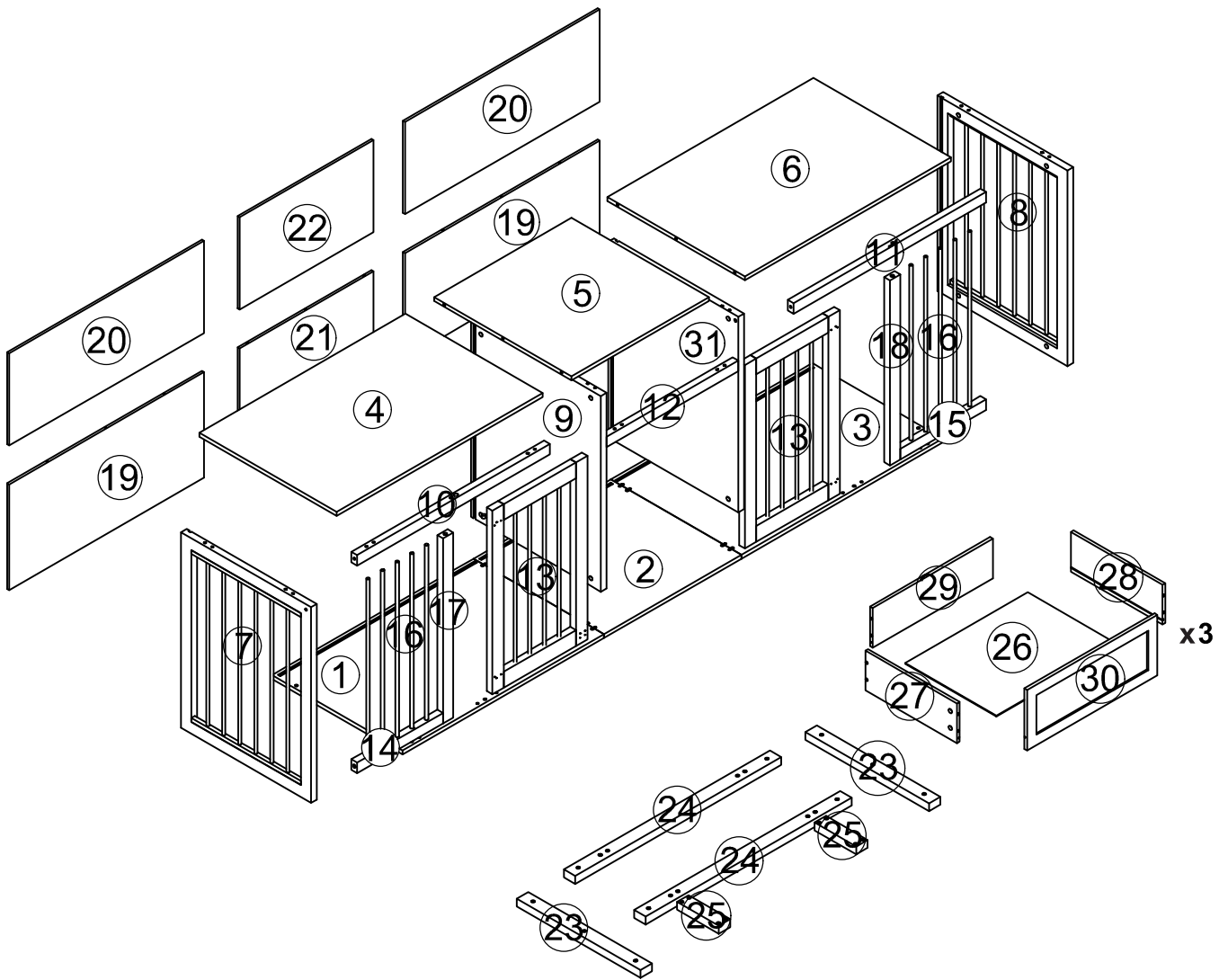


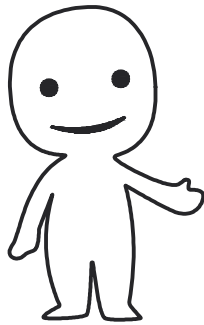
Nut should be in the centre of the cam lock when the two panels are joined. Cam lock should be inserted before nut.

Wenn die beiden Platten verbunden sind, sollte die Mutter in der Mitte des Nockenschlosses sein.

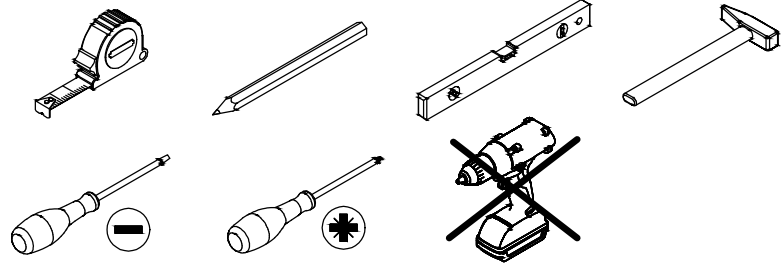
Die Nockenverriegelung sollte vor der Mutter eingeführt werden.



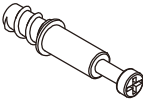

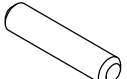


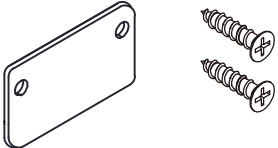
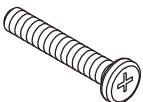

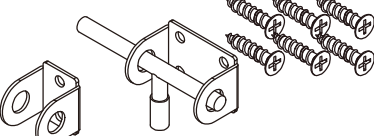
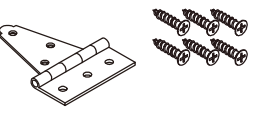
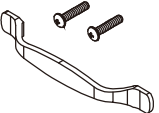
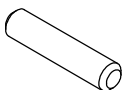






Please prepare the following tools



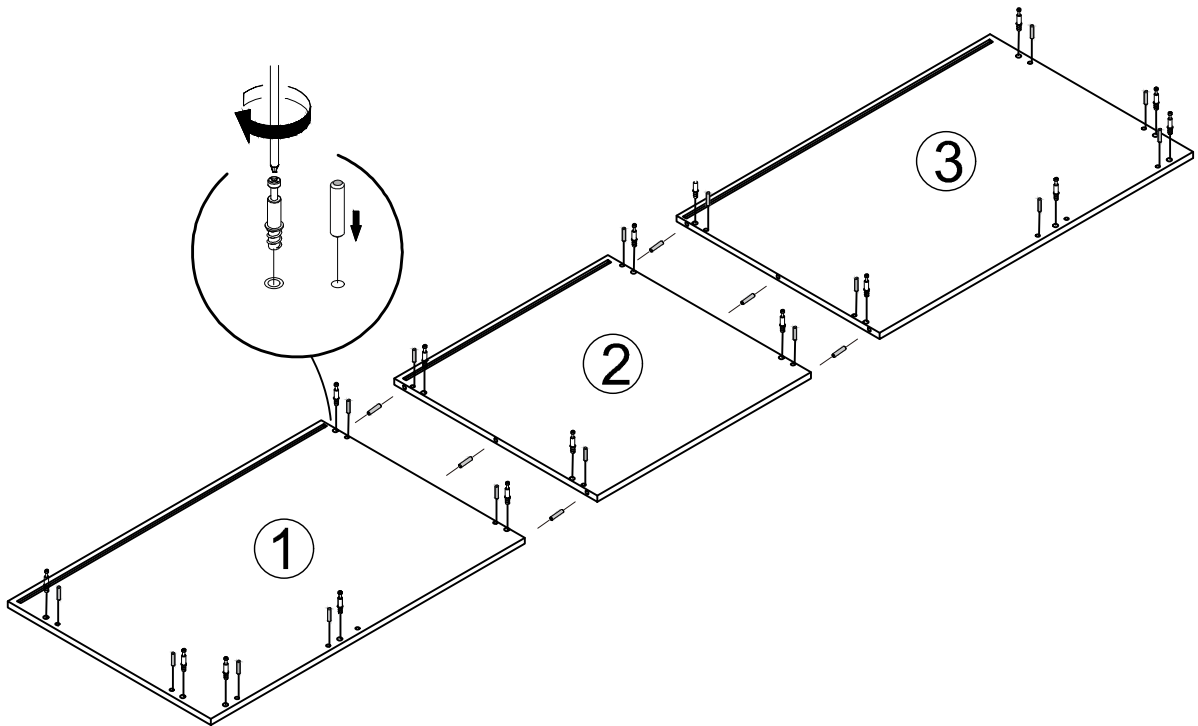
When installing, please carefully confirm whether each screw corresponds to the manual, accessories with similar shapes can be distinguished by size

<p>A</p>  <p>$\varnothing 5 \times 31 \text{mm}$ x66</p>	<p>B</p>  <p>$\varnothing 15 \times 11 \text{mm}$ x42</p>	<p>C</p>  <p>$\varnothing 8 \times 30 \text{mm}$ x40</p>
<p>D</p>  <p>L=350mm x3</p>	<p>E</p>  <p>$\varnothing 3 \times 14 \text{mm}$ x24</p>	<p>F</p>  <p>$\varnothing 3 \times 14 \text{mm}$ x2</p>
<p>G</p>  <p>$\varnothing 6 \times 35 \text{mm}$ x34</p>	<p>H</p>  <p>$\varnothing 12 \times 11 \text{mm}$ x24</p>	<p>J</p>  <p>x4 $\varnothing 3.5 \times 14 \text{mm}$ x4</p>
<p>K</p>  <p>$\varnothing 3.5 \times 14 \text{mm}$ x4</p>	<p>L</p>  <p>$\varnothing 4 \times 12 \text{mm}$ x3</p>	<p>M</p>  <p>$\varnothing 6 \times 30 \text{mm}$ x9</p>
<p>N</p>  <p>x66</p>	<p>O</p>  <p>x10</p>	

1

Ax16

Cx22



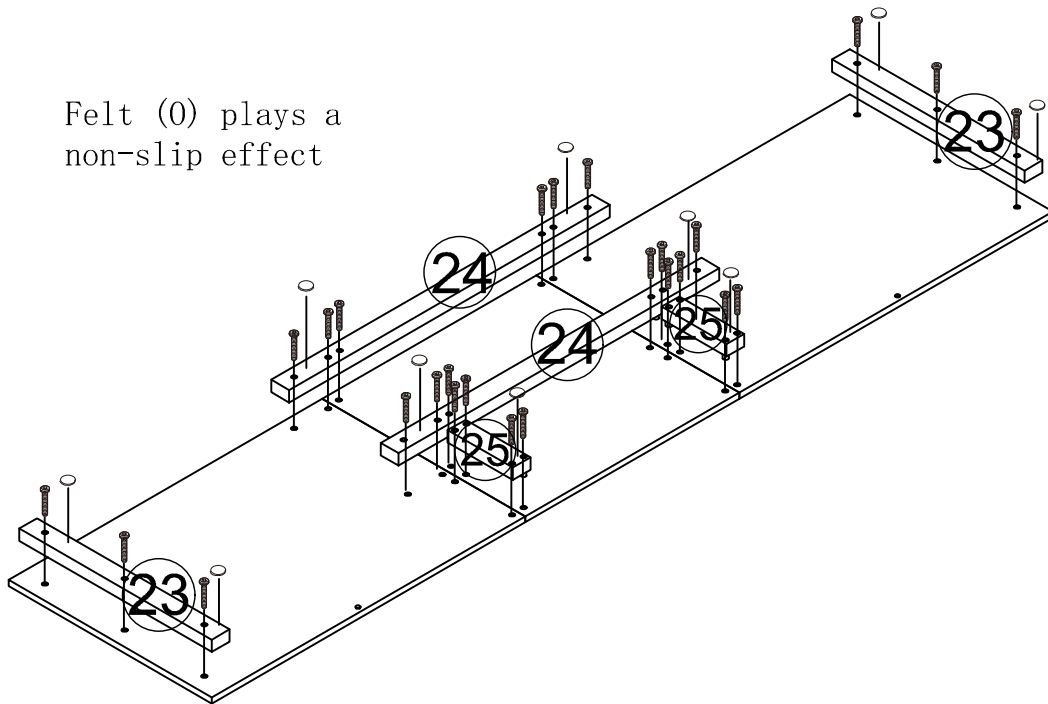
2

Gx26

Ox10



Felt (0) plays a non-slip effect



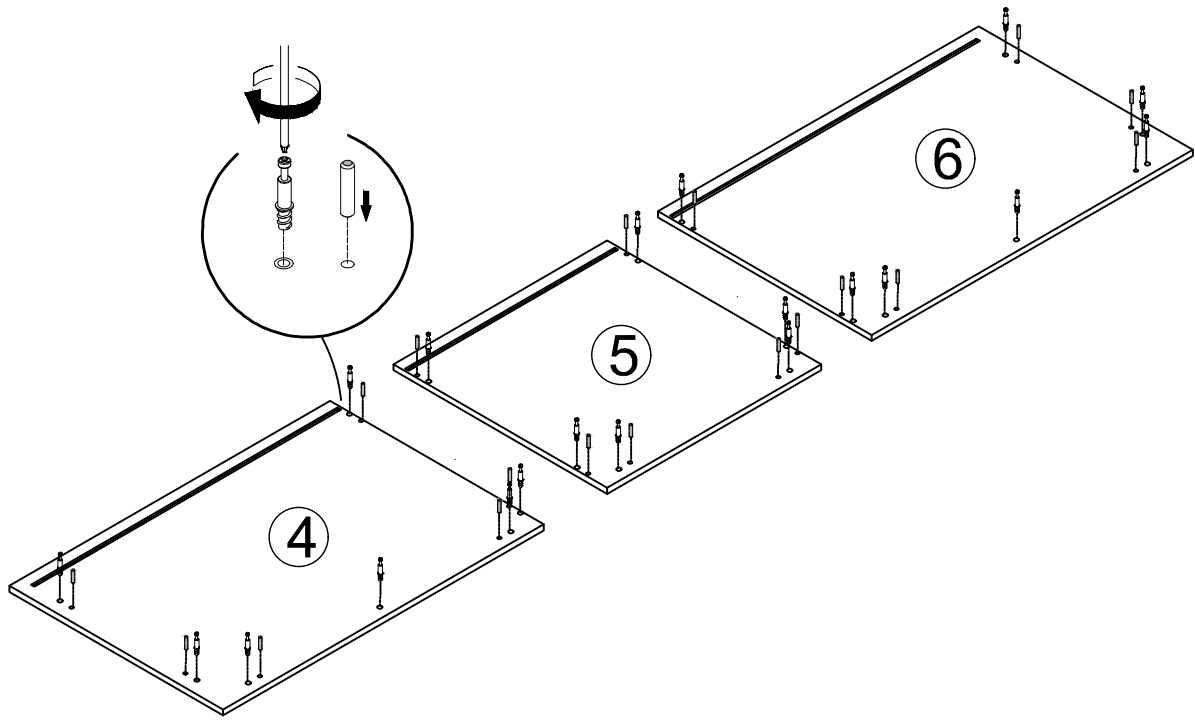
3



Ax20



Cx18



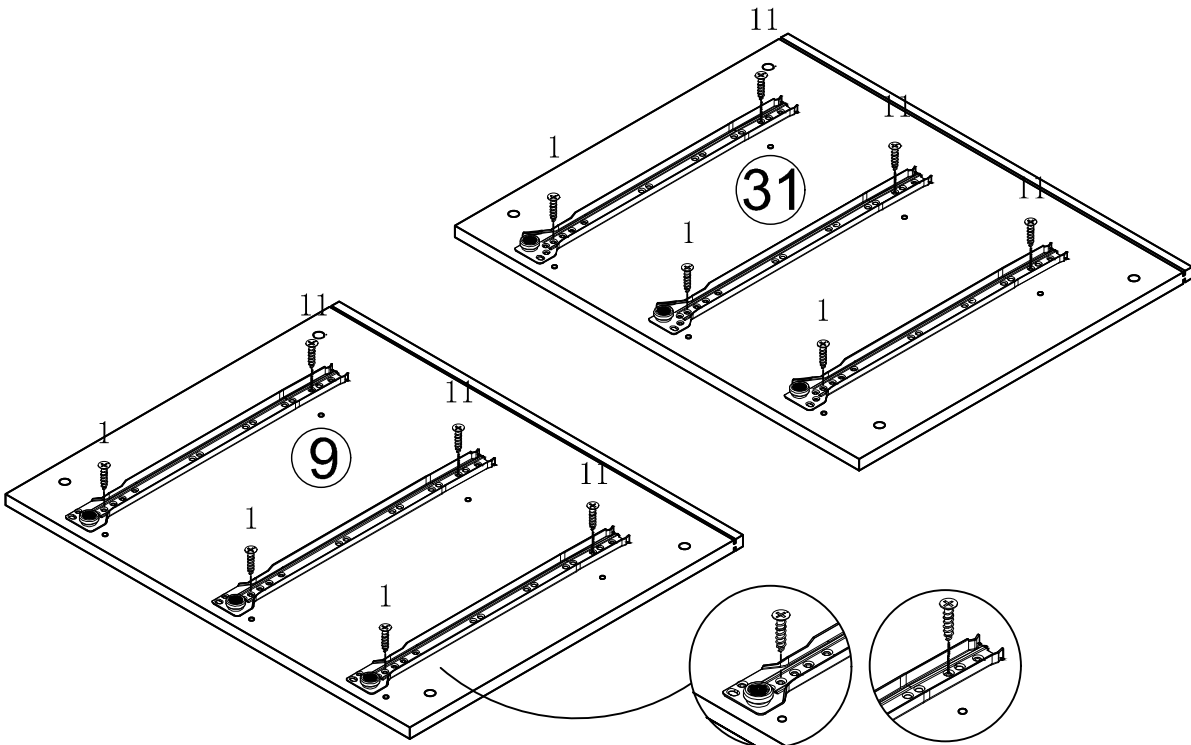
4



Dx6

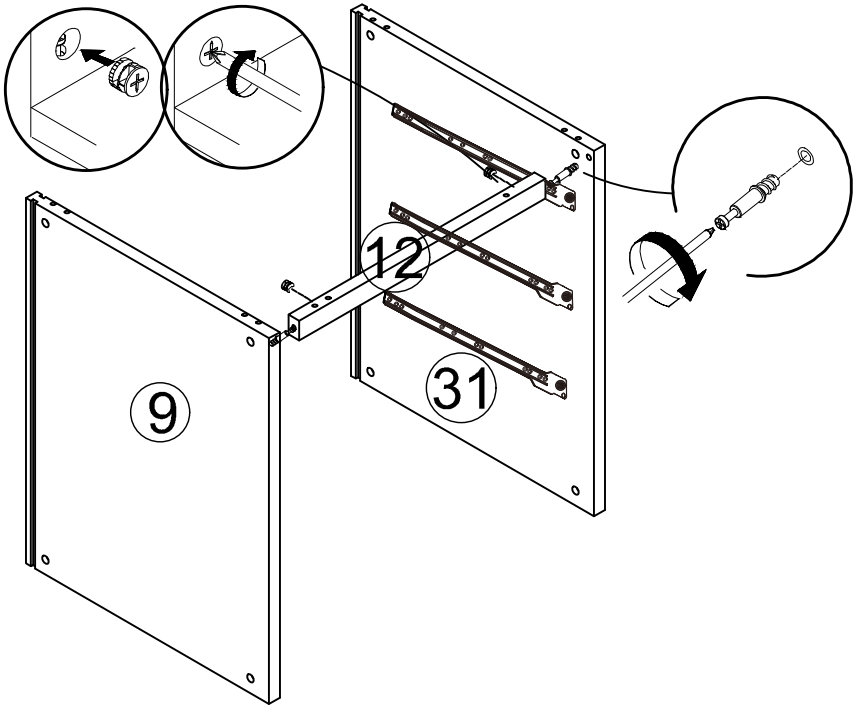
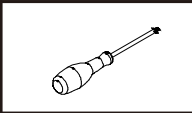


Ex12



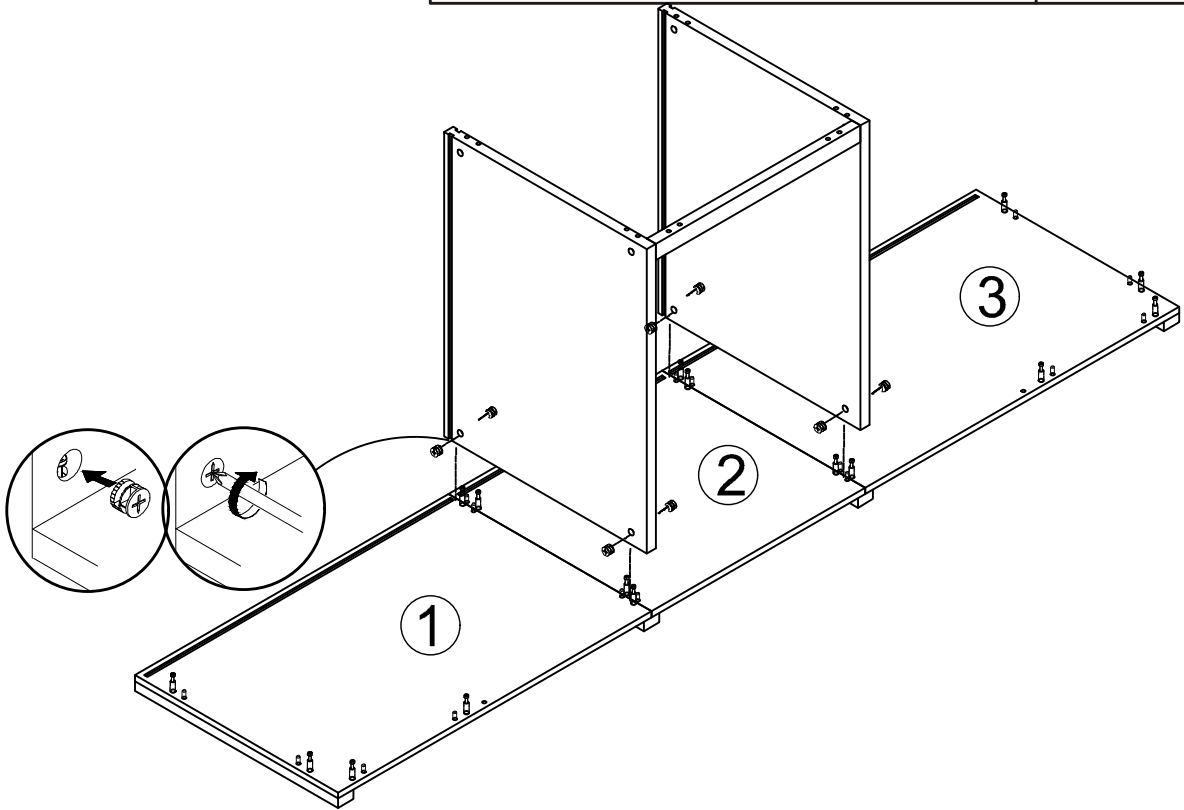
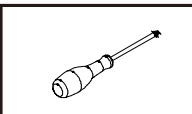
5

Ax2 Bx2



6

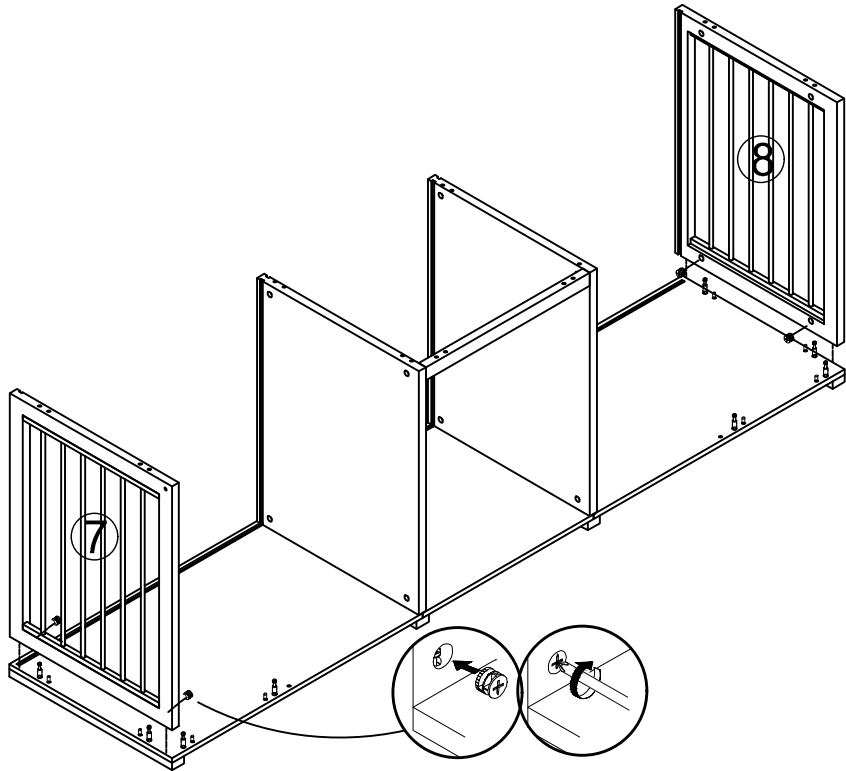
Bx8



7



Bx4



8



Ax2



Bx2



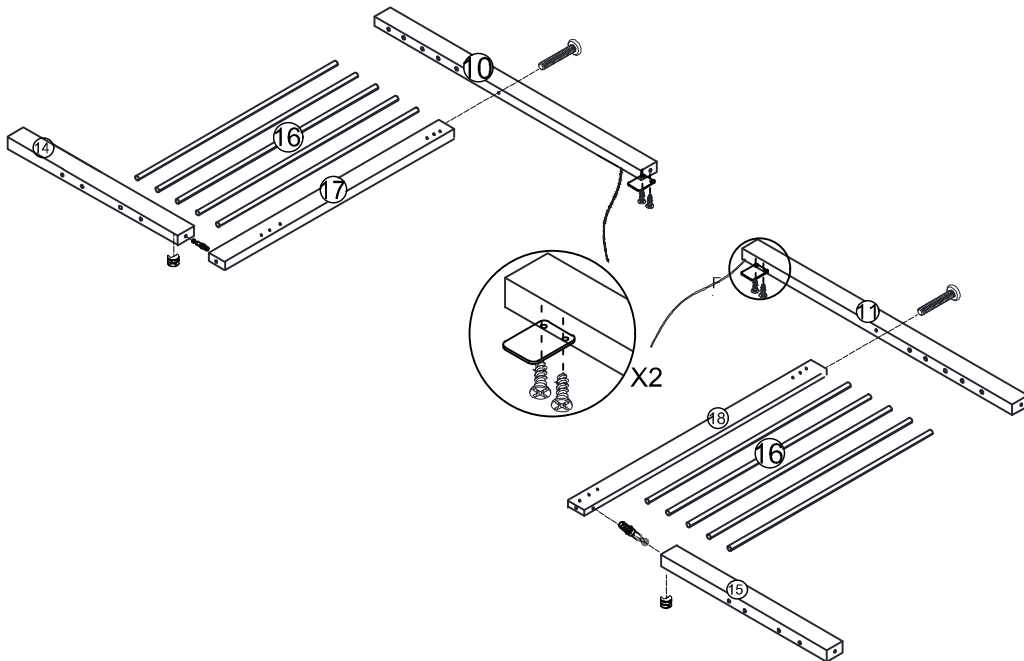
Gx2



Fx2

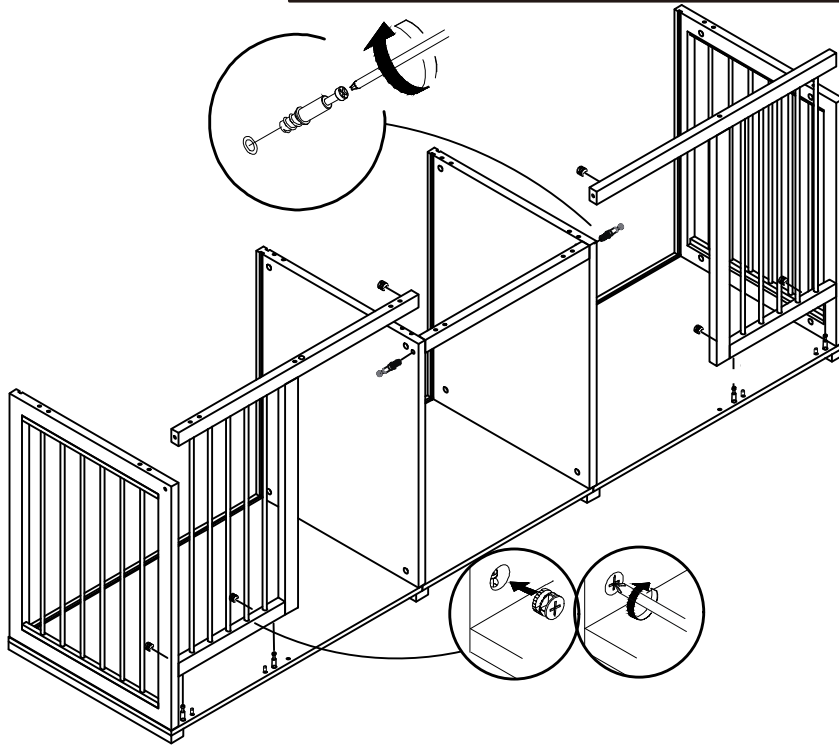


Fx4



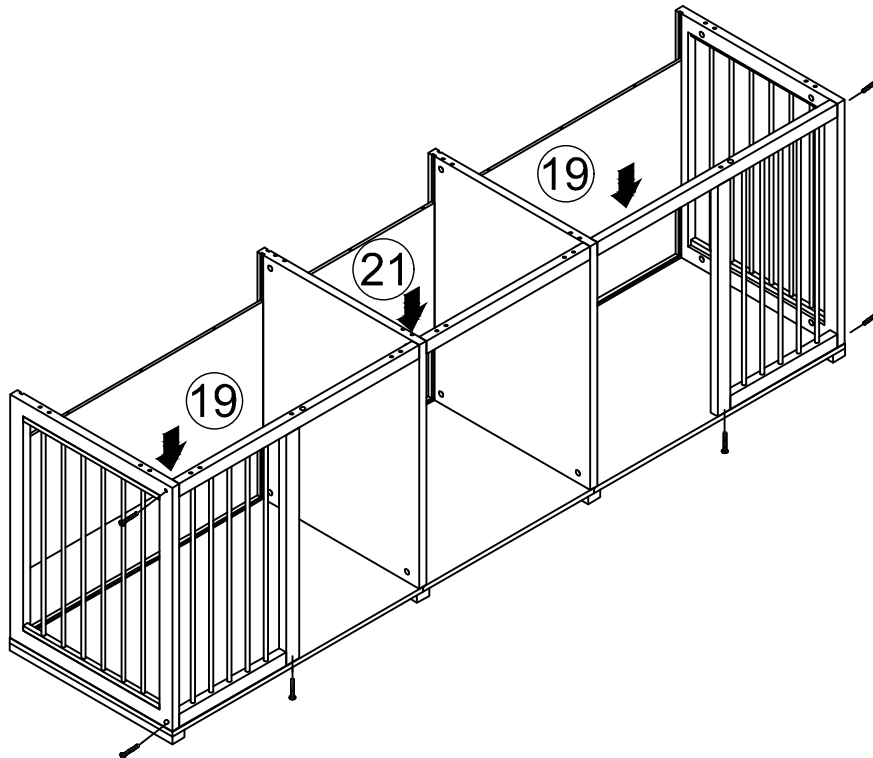
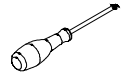
9

Ax2 Bx6



10

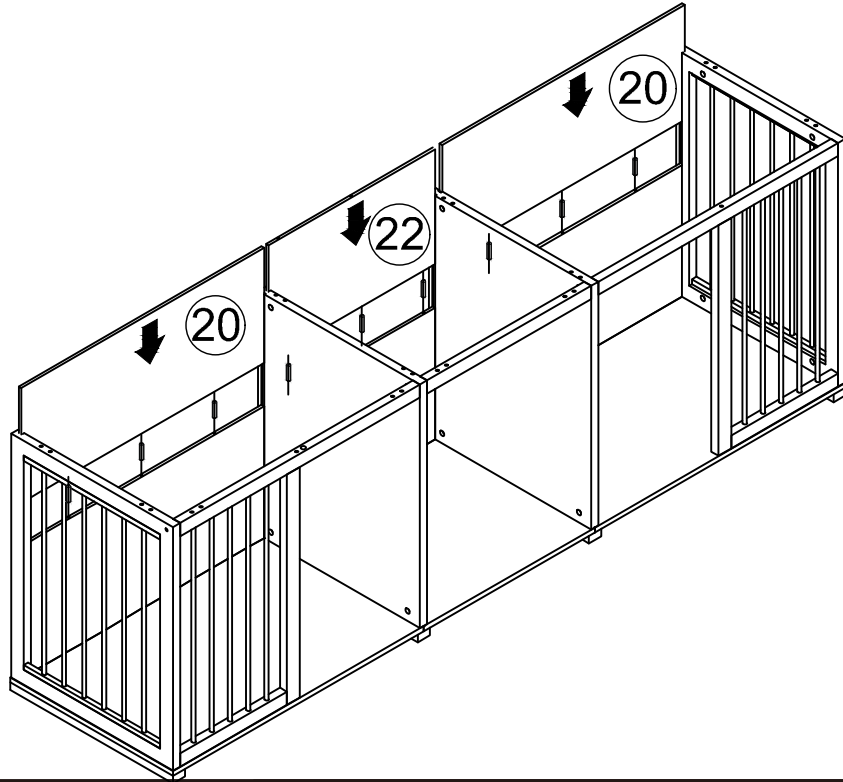
Gx6



11



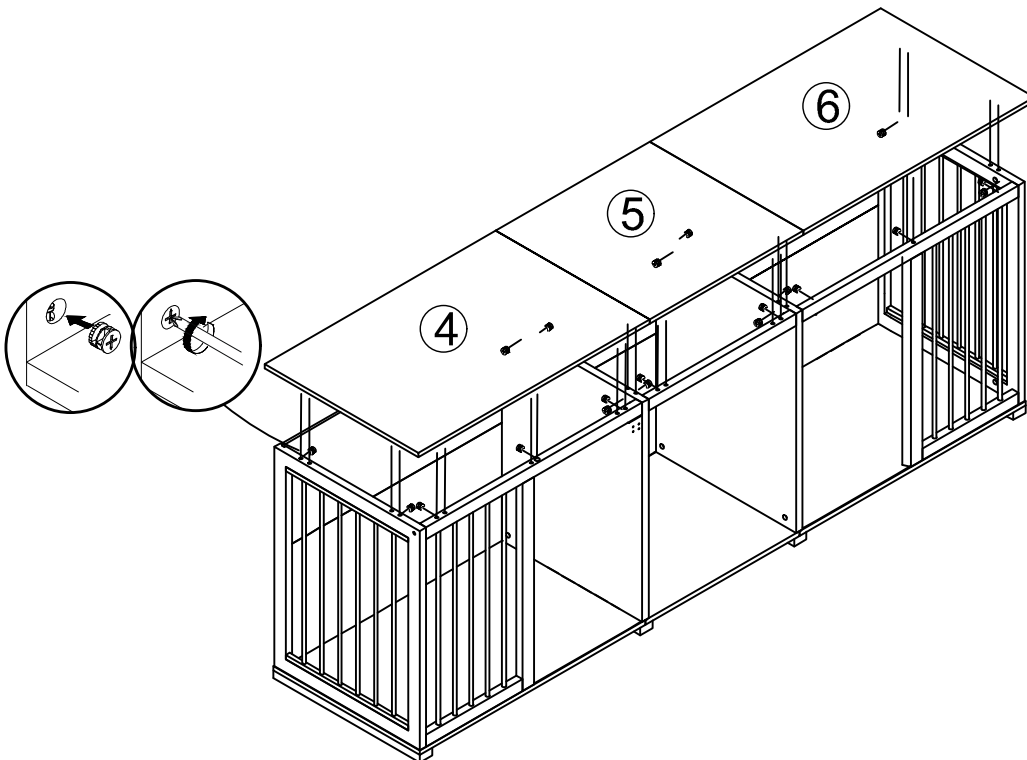
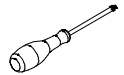
Mx9



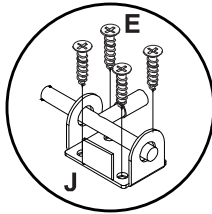
12



Bx20



13



Kx4



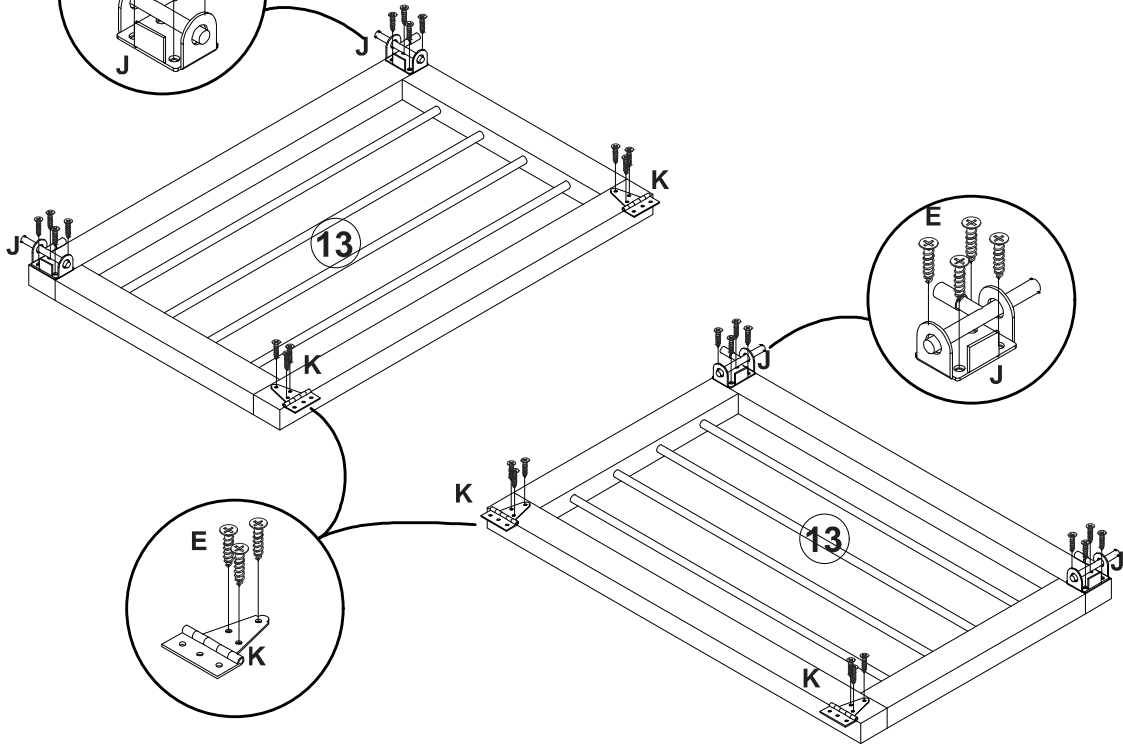
Kx12



Jx4



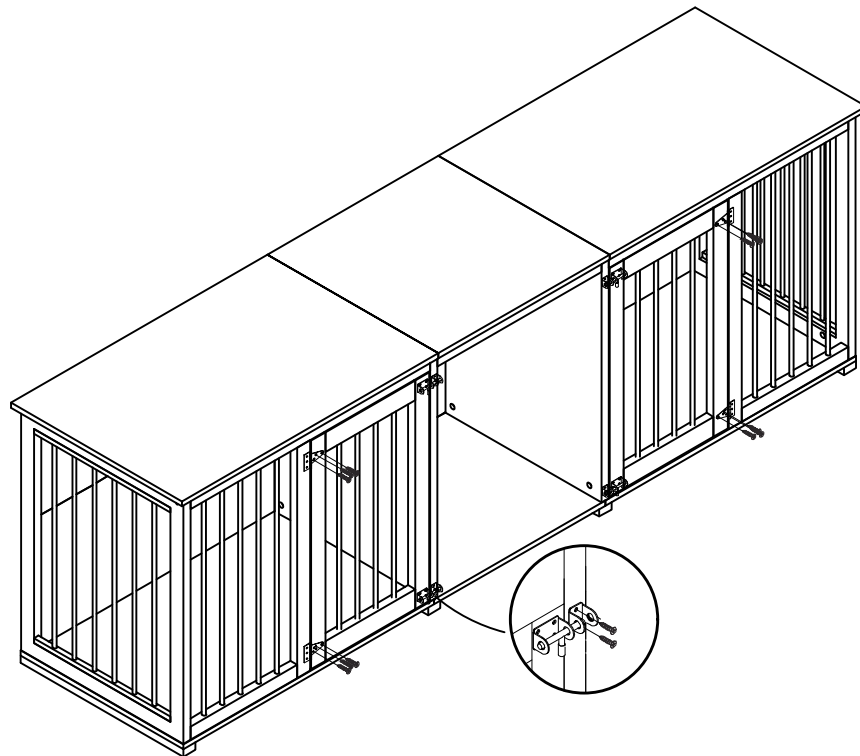
Jx16



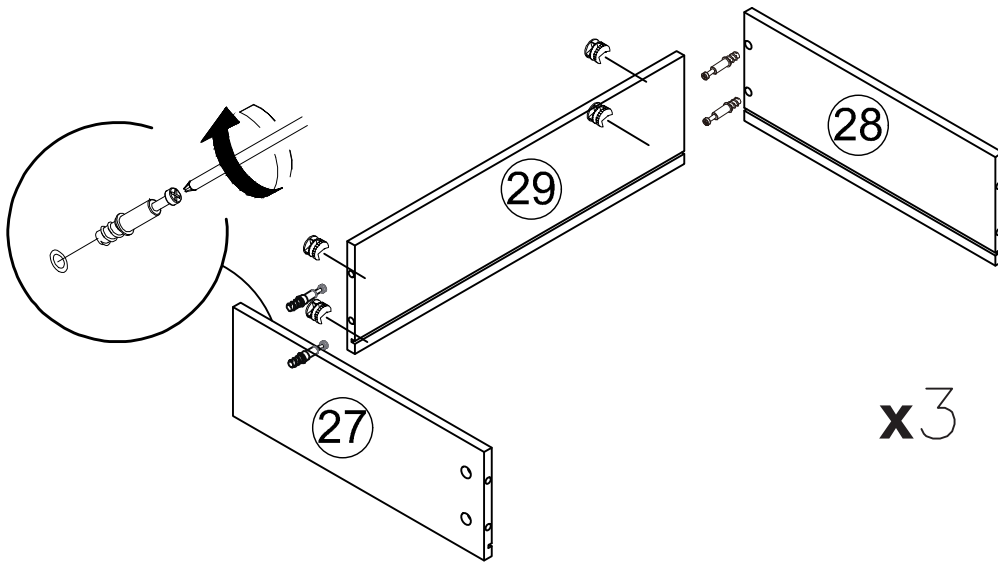
14



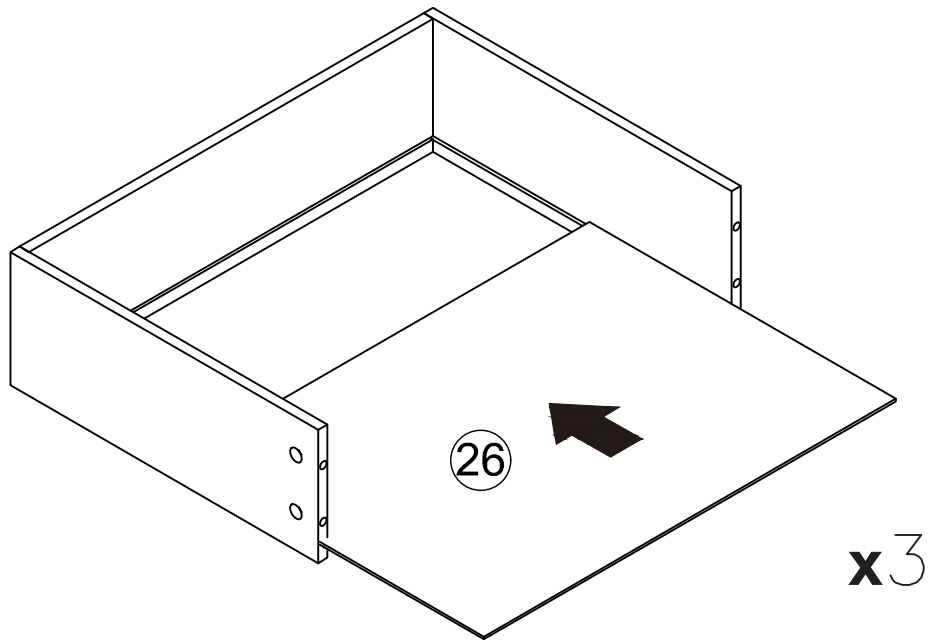
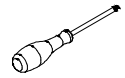
Kx12



15



16



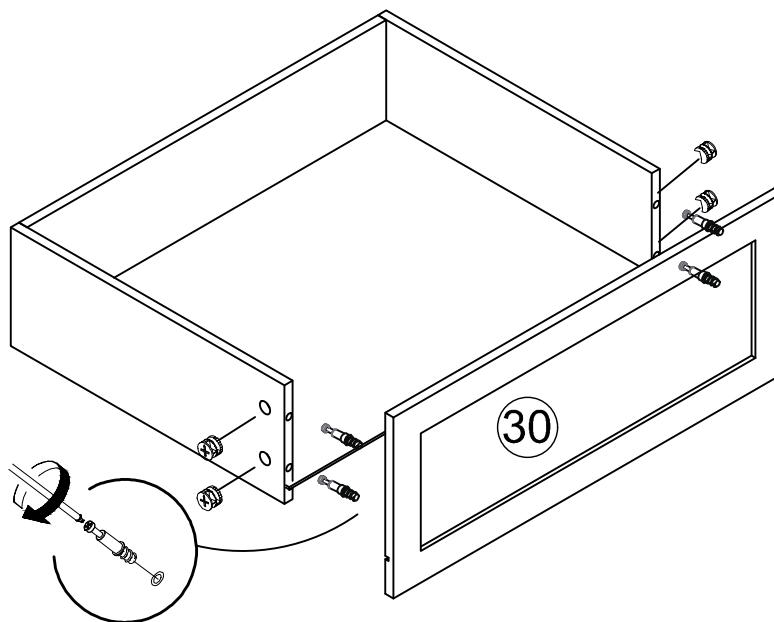
17



Ax12



Hx12



x3

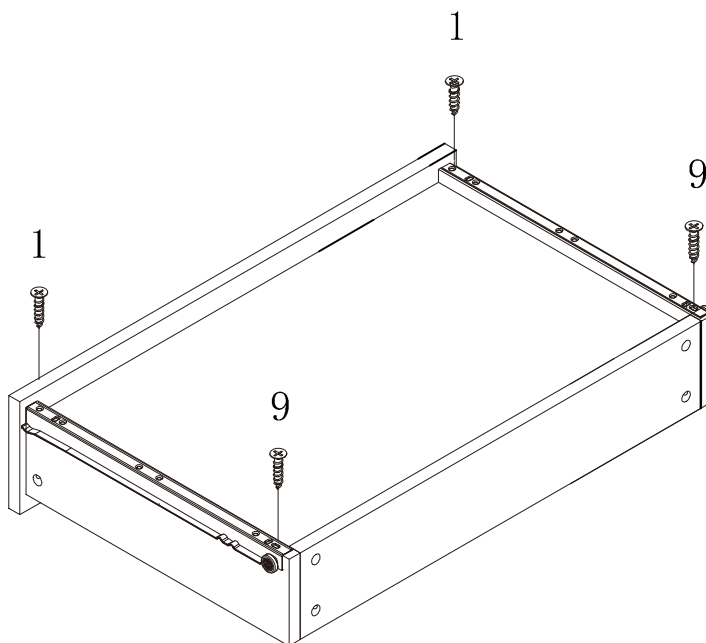
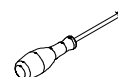
18



Dx3



Ex12



x3

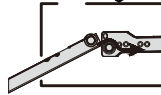
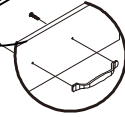
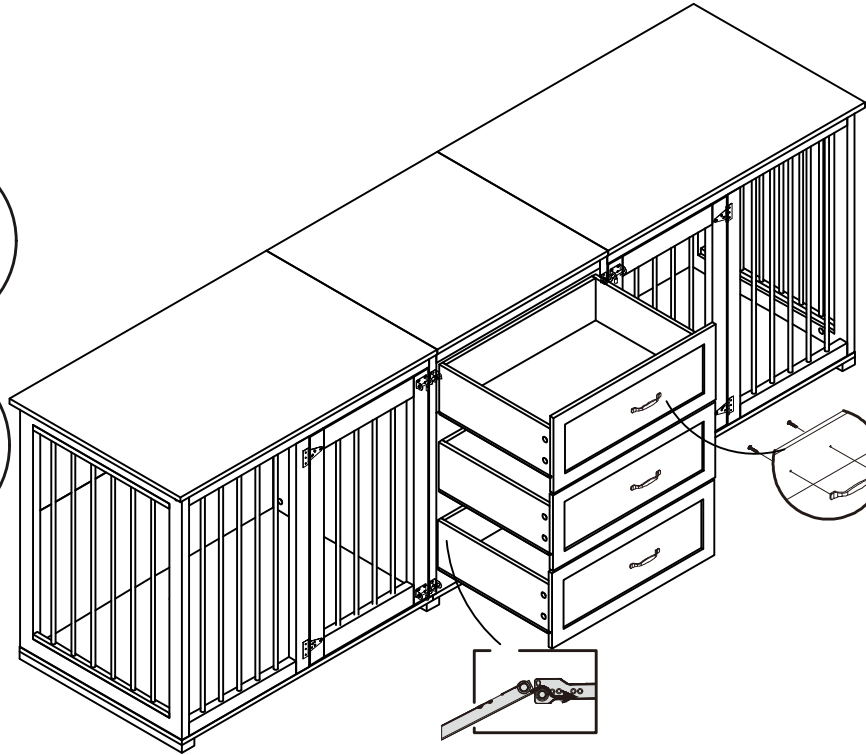
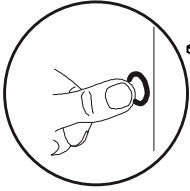
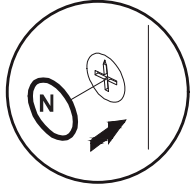
19



Lx3



Nx66



We will use the Information provided on this card to contact you only
If there is a safety alert or recall for this product.

We will not sell, rent, or share your personal information.

To register your product, please complete and mail Melideeamz@outlook.com the bottom part of this card, or email your contact information, the model name and number, and date of manufacture of the product, as provided on this card, to:

Model Name:

Manufacture Date:

Model Number:

Name:

Mail address:

City:

Phone Number:

E-mail:

Zip Code: