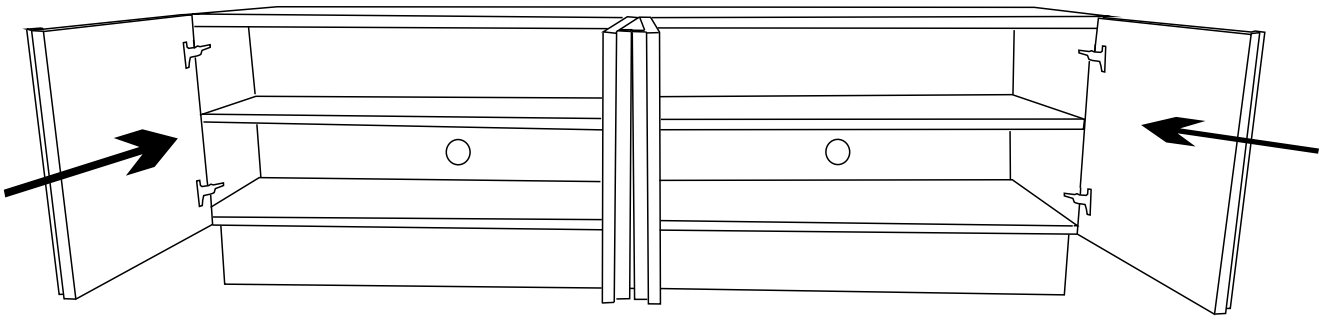
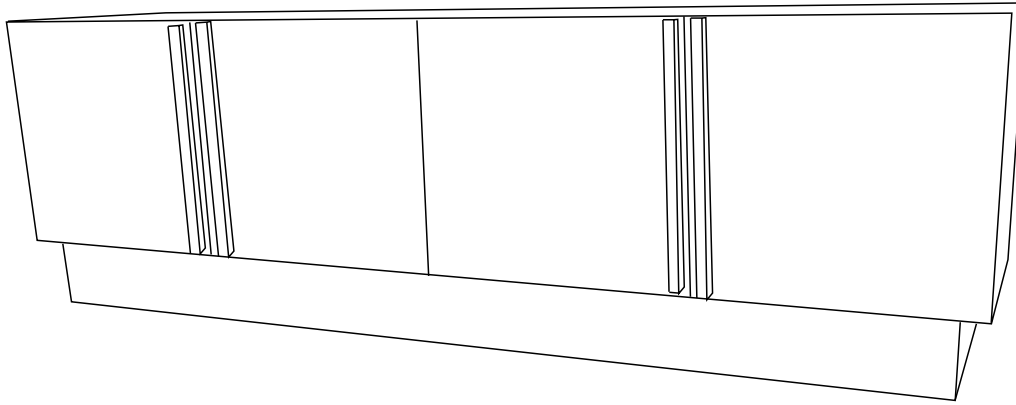
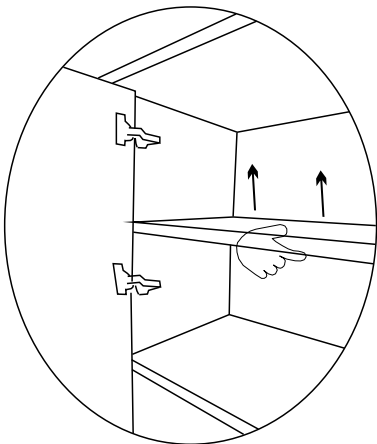


Assembly Instruction  
Product Description: MEDIA CONSOLE

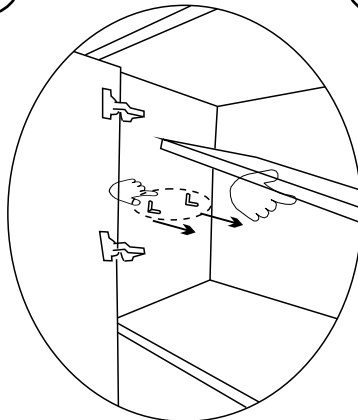


For removing Shelves please follow steps

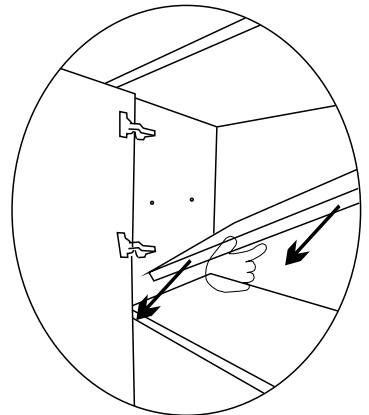
1



2



3



4

**Level Adjustment -** In case the doors or handles are not aligned, use levelers to adjust the balance of the item.

