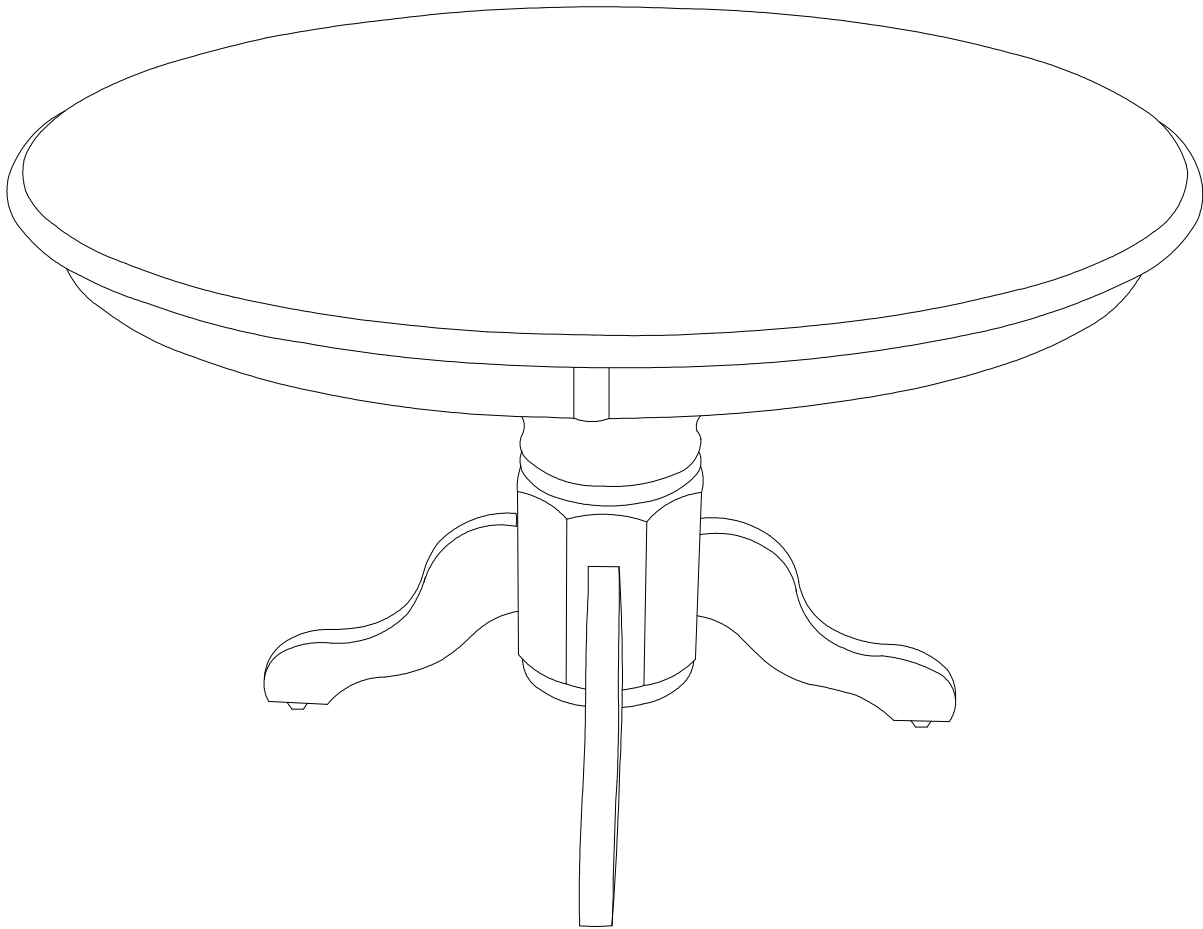


# ASSEMBLY INSTRUCTIONS



|                         |  |                              |
|-------------------------|--|------------------------------|
| Description             | :42" ROUND TABLE WITH SINGLE PEDESTAL : $\Phi$ |                              |
| Dimension               | 42xH.30"                                       |                              |
| Cube Size<br>(Top)      | : 44"x44" x4"                                  | NW: 37.4 LBS<br>GW: 44 LBS   |
| Cube Size<br>(Pedestal) | : 27.1"x10.2"x8.8"                             | NW: 19.8 LBS<br>GW: 23.1 LBS |

42" ROUND TABLE WITH SINGLE PEDESTAL

## BEFORE ASSEMBLY

Thank you for purchasing this quality product. This product has been designed for easy assembly and constructed for durability. Please take the time to read and follow the assembly instructions carefully.

Be sure to check all packing material carefully for small parts which may have come loose inside the carton during shipment. Please separate, identify, and count all parts and metal hardware. Compare with part list to be sure all parts are present.

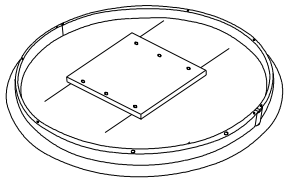
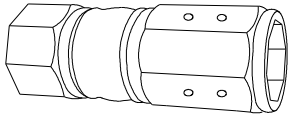
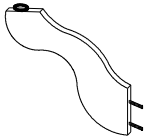
If hardware is missing or you have difficulty assembling this product, please call for us.

**IMPORTANT NOTE:**

- Place all wooden parts on a clean and smooth surface such as a rug or carpet to avoid the parts from being scratched.
- Remove all wrapping material, including staples & packing straps before you start to assemble.
- DO NOT tighten all screws and bolts until completely assembled.
- Keep all hardware parts out of reach of children.

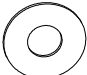


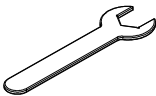
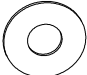

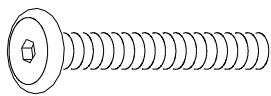
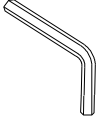
## PART LIST

When unpacking, please be careful not to discard any parts with the packaging. Before continuing, please make sure you have the following parts:

| NO | Description | Qty | Sketch   | NO | Description     | Qty | Sketch  |
|----|-------------|-----|--|----|-----------------|-----|---|
| A  | Top         | 1   |   | B  | Pedestal column | 1   |  |
| C  | Leg         | 4   |  |    |                 |     |   |

## HARDWARE LIST

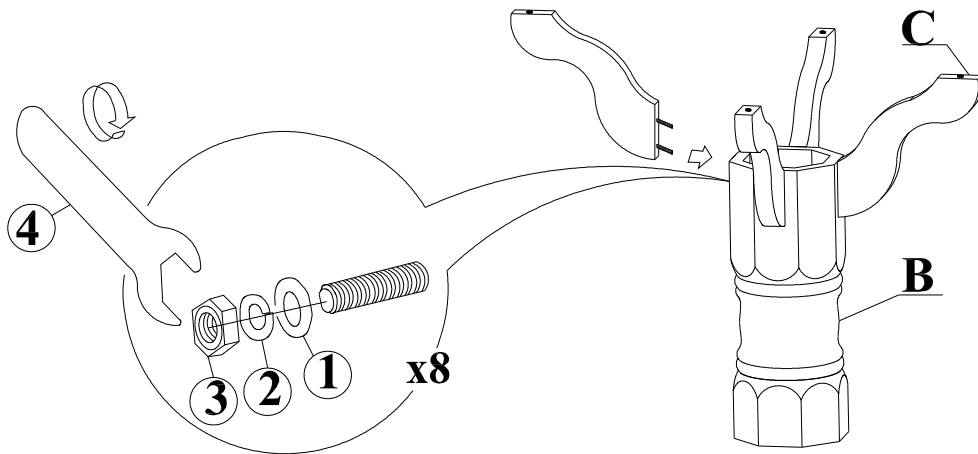
When unpacking, please be careful not to discard any parts with the packaging. Before continuing, please make sure you have all of the following hardware:

| NO | Description  | Qty | Sketch  | NO | Description  | Qty | Sketch  |
|----|--|-----|---|----|--|-----|---|
| 1  | Flat washer<br>( $\Phi 8.5 \times \Phi 19 \text{mm}$ ) | 8   |  | 2  | Lock washer<br>( $\Phi 8.5 \times \Phi 13 \text{mm}$ ) | 8   |  |
| 3  | Hexagon nut<br>(M8x13mm)                               | 8   |  | 4  | Wrench<br>(M13mm)                                      | 1   |  |
| 5  | Flat washer<br>( $\Phi 6.5 \times \Phi 13 \text{mm}$ ) | 4   |  | 6  | Lock washer<br>( $\Phi 6.5 \times \Phi 9 \text{mm}$ )  | 4   |  |
| 7  | Bolt<br>(M6x35mm)                                      | 4   |  | 8  | Allen key<br>(4mm)                                     | 1   |  |

**42" ROUND TABLE WITH SINGLE PEDESTAL**

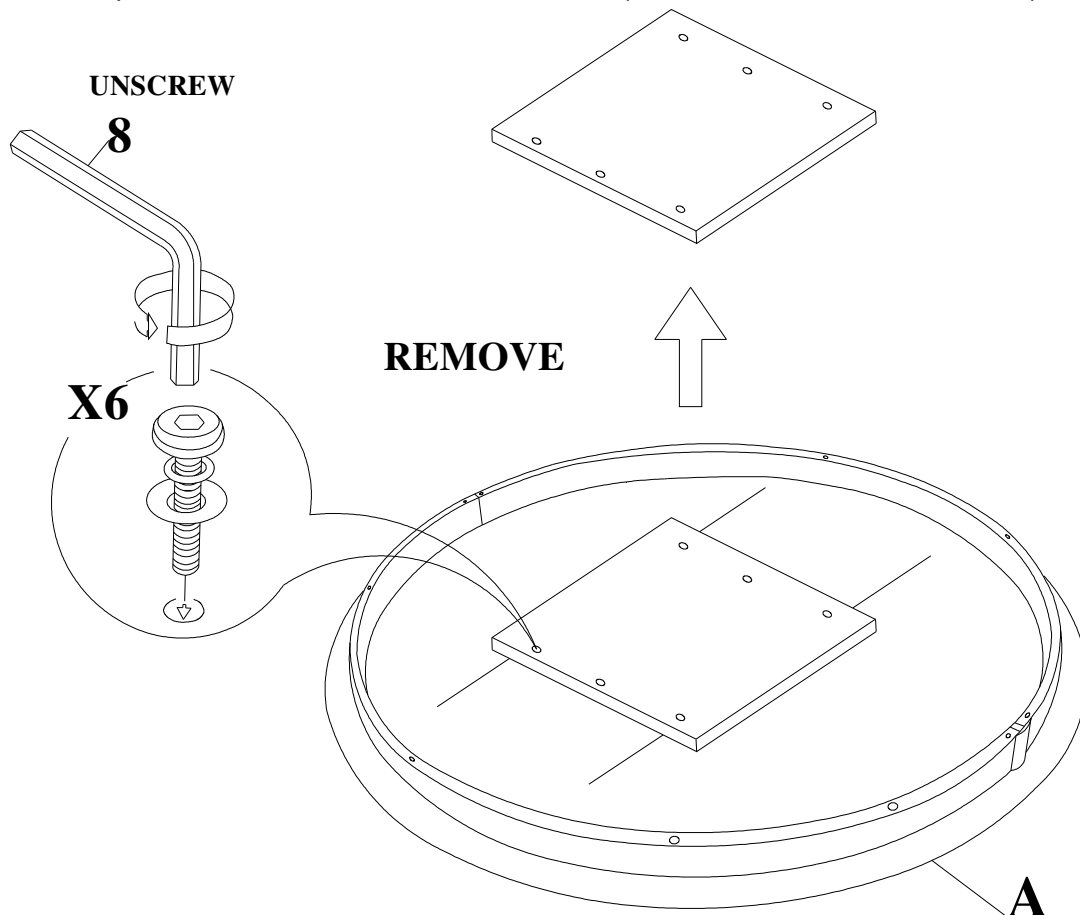
## STEP 1

Attach Legs (C) to column (B) by using Nuts (3), and Washers (2) and (1). Tighten with Wrench (4) as shown below.



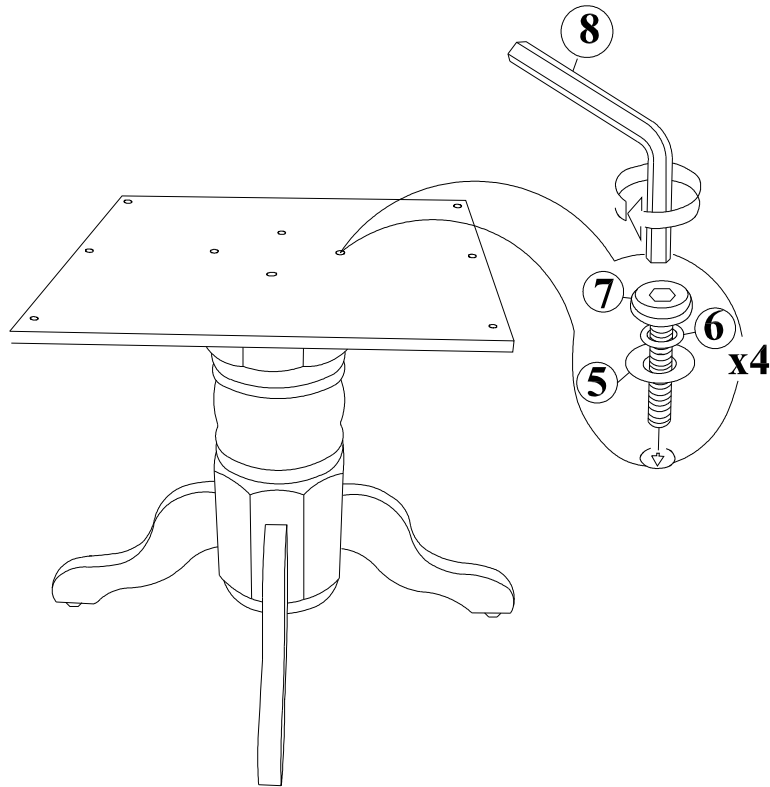
## STEP 2

Use the Allen key (8) to loosen the bolts, and take off the plate underneath of the table top.



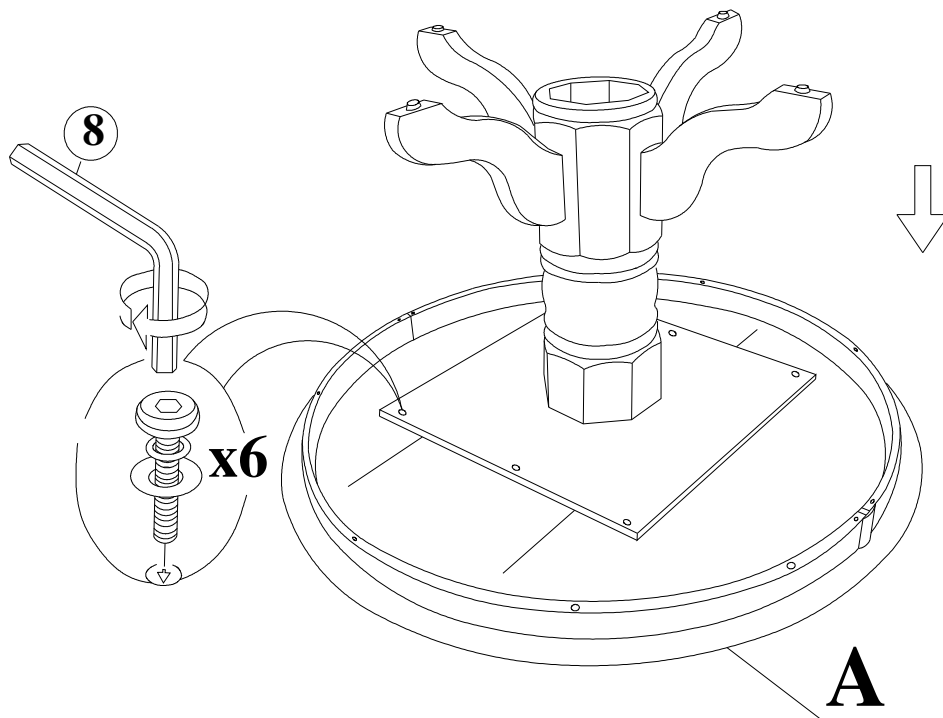
### STEP 3

Put the plates on top of the pedestals (B) with Bolts (7), washers (5) and (6) as shown below. Tighten with Allen key (8).



### STEP 4

Carefully put the pedestal block on the bottom side of the table top, attach the top to plate with bolts (from step 2) and tighten with the Allen key (8).



42" ROUND TABLE WITH SINGLE PEDESTAL