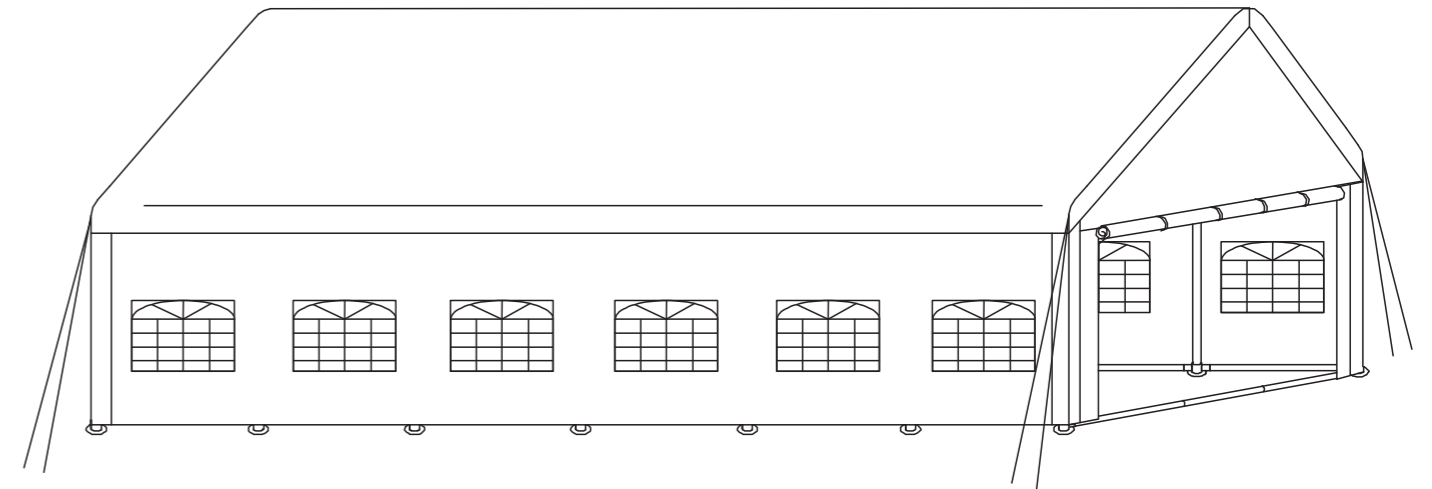




# ASSEMBLY INSTRUCTIONS



## 20X40 FT PARTY TENT

Product comes packaged in 5 boxes that might not arrive together; Safety measures and professional installation are highly recommended.

Before returning to the store, please contact our Customer Service

[service.canopy@outlook.com](mailto:service.canopy@outlook.com)

### CONTACT US:

If you have any questions about the installation of COBIZI products, just e-mail us at [service.canopy@outlook.com](mailto:service.canopy@outlook.com).

Alternative method to contact us (amazon.com orders only)

1. Log into your Amazon account
2. Go to "Your Orders" and find the purchase
3. Click on "Contact Seller"

We appreciate the trust and confidence you have placed in COBIZI through the purchase of our product. We strive to continually create quality products designed to enhance your home. Visit us online to see our full line of products available for your home improvement needs.  
Thank you for choosing COBIZI

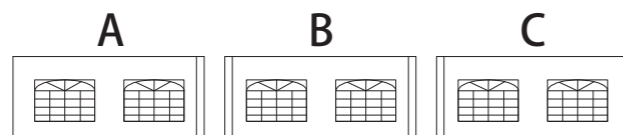
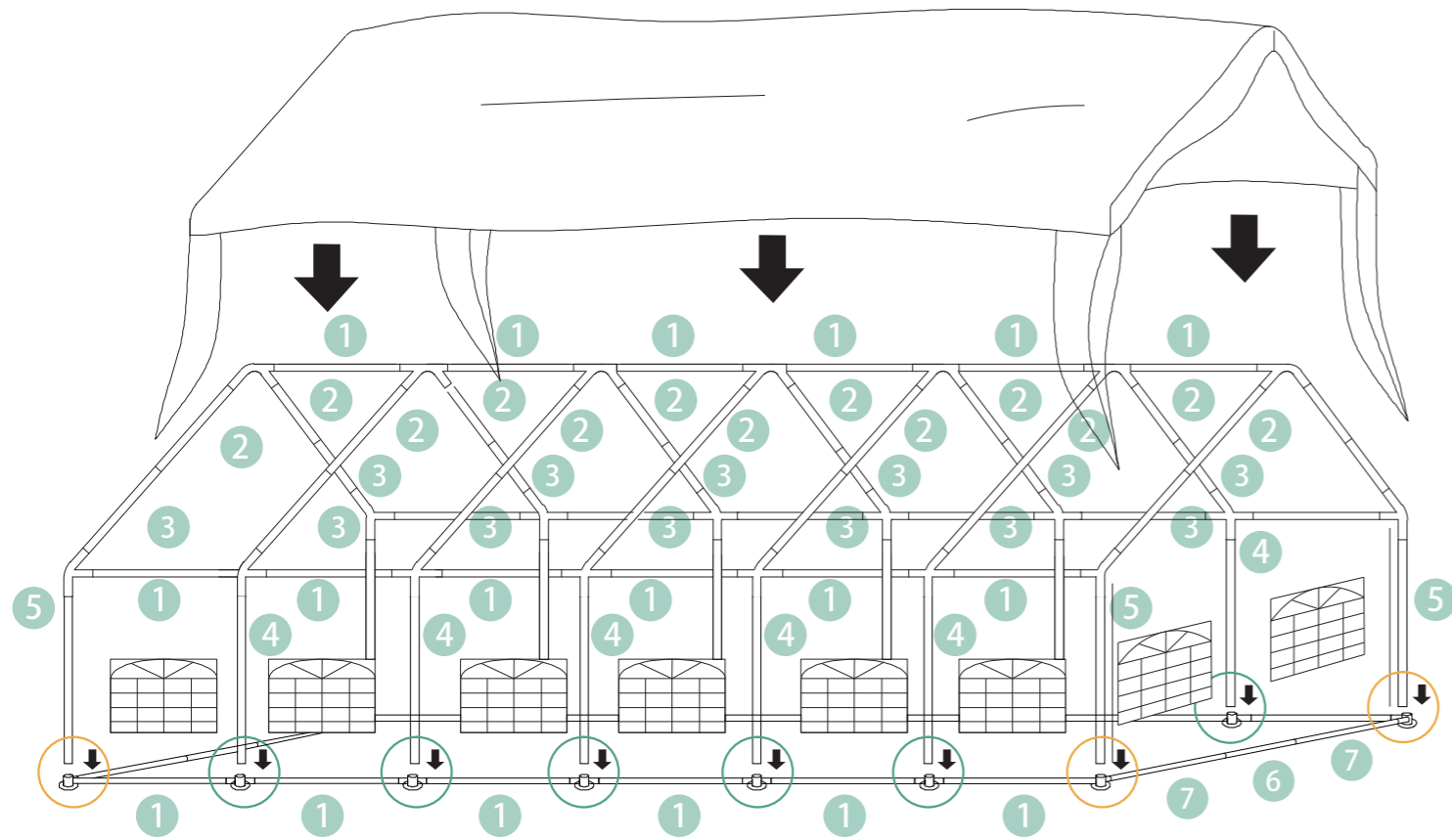
Made in China



1. Assembly requires a minimum of three individuals.
2. It is advisable to have a ladder for the assembly process.
3. Before commencing assembly, make sure to gather all the necessary parts and arrange them systematically.
4. Under no circumstances should candles, matches, or any open flames be used inside or in close proximity to the tent.

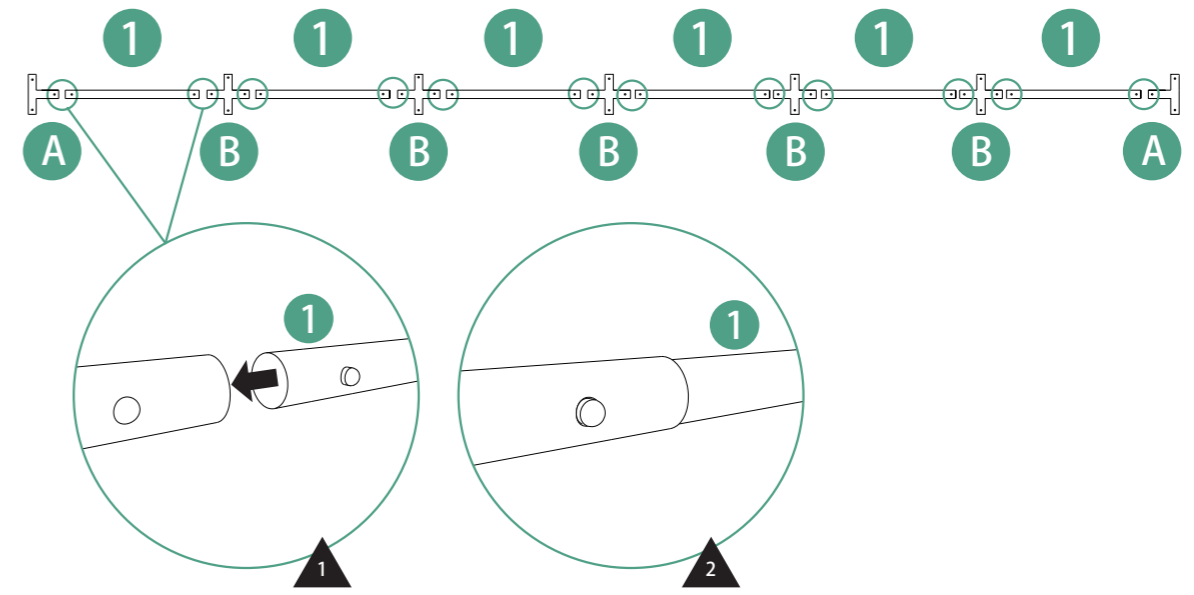
| Item no. | Reference Image | Qty. |
|----------|-----------------|------|
| 1        |                 | X30  |
| 2        |                 | X14  |
| 3        |                 | X14  |
| 4        |                 | X10  |
| 5        |                 | X4   |
| 6        |                 | X2   |
| 7        |                 | X4   |
| A        |                 | X6   |
| B        |                 | X15  |
| F        |                 | X10  |
| G        |                 | X4   |

| Reference Image | Qty. |
|-----------------|------|
|                 | X152 |
| Tent peg        | X18  |
|                 | X4   |
|                 | X1   |
|                 | X2   |
| A               | X2   |
| B               | X2   |
| C               | X2   |



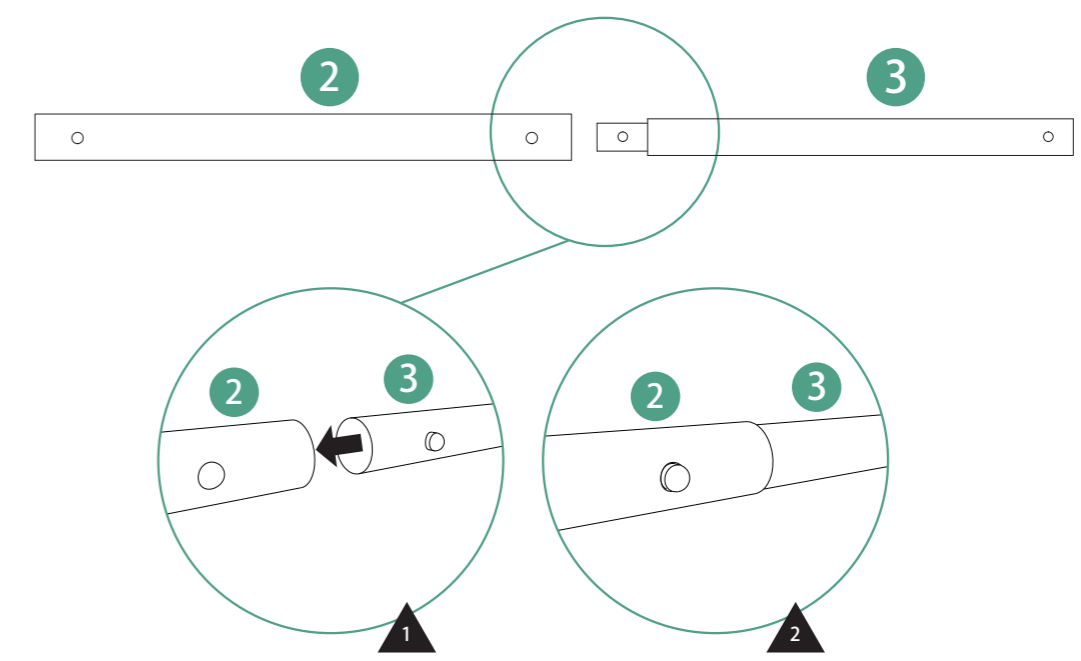
**1**  
**X3**

① 18pcs    Ⓐ 6pcs    Ⓑ 15pcs

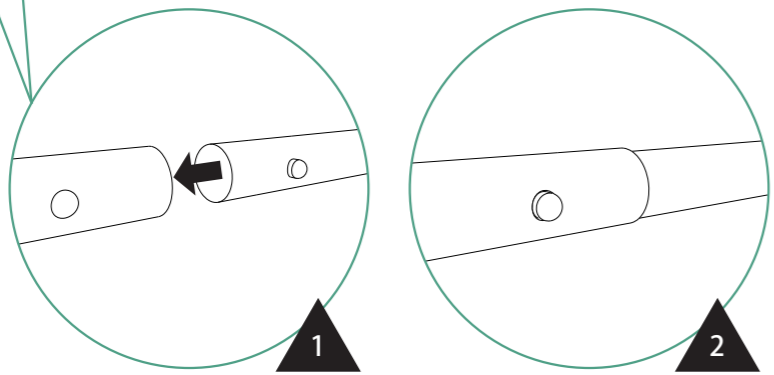
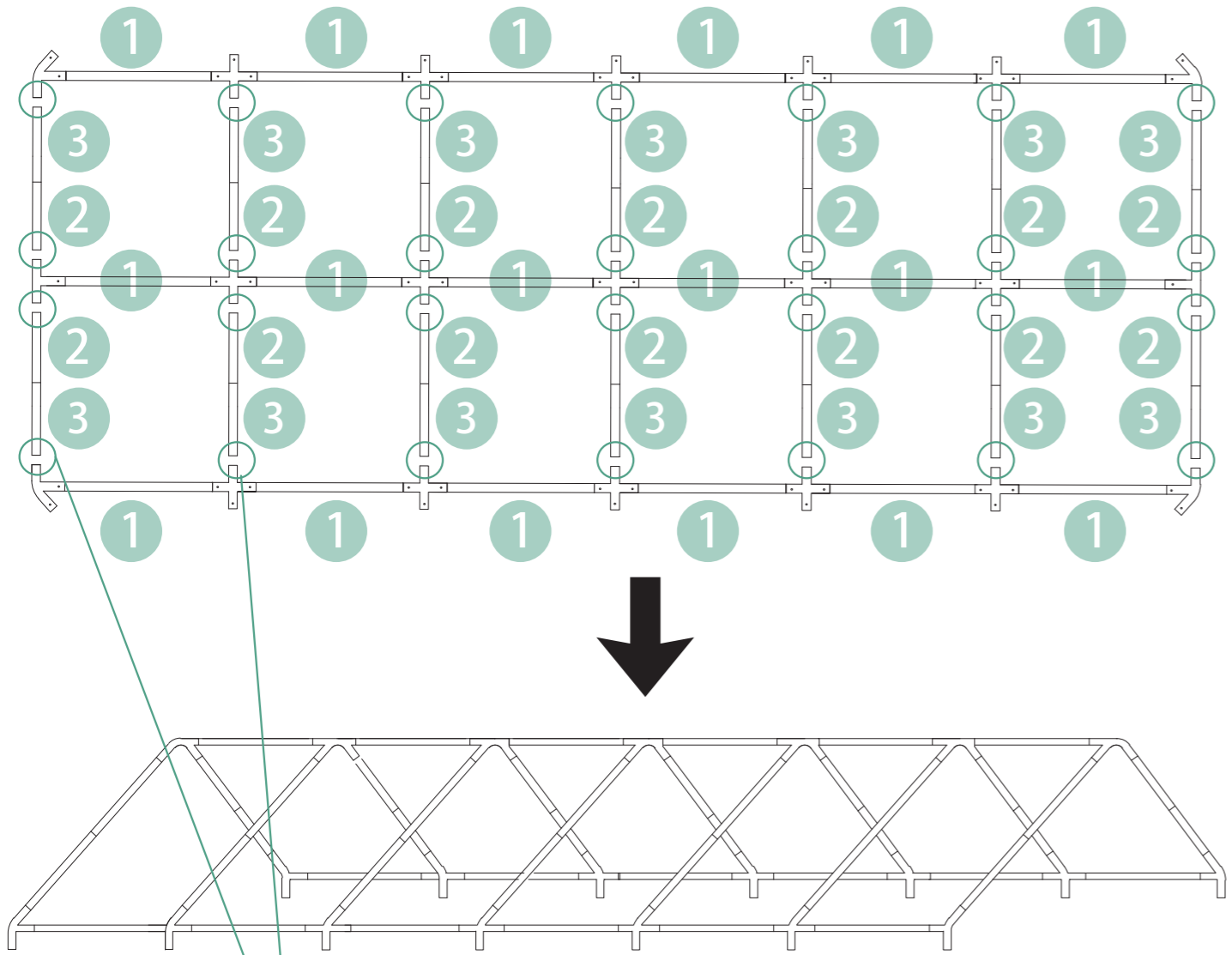


**2**  
**X14**

② 14pcs    ③ 14pcs

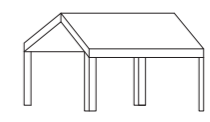


# 3



5

# 4

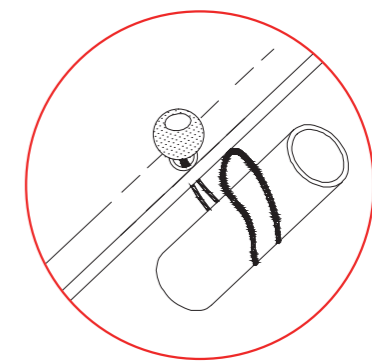
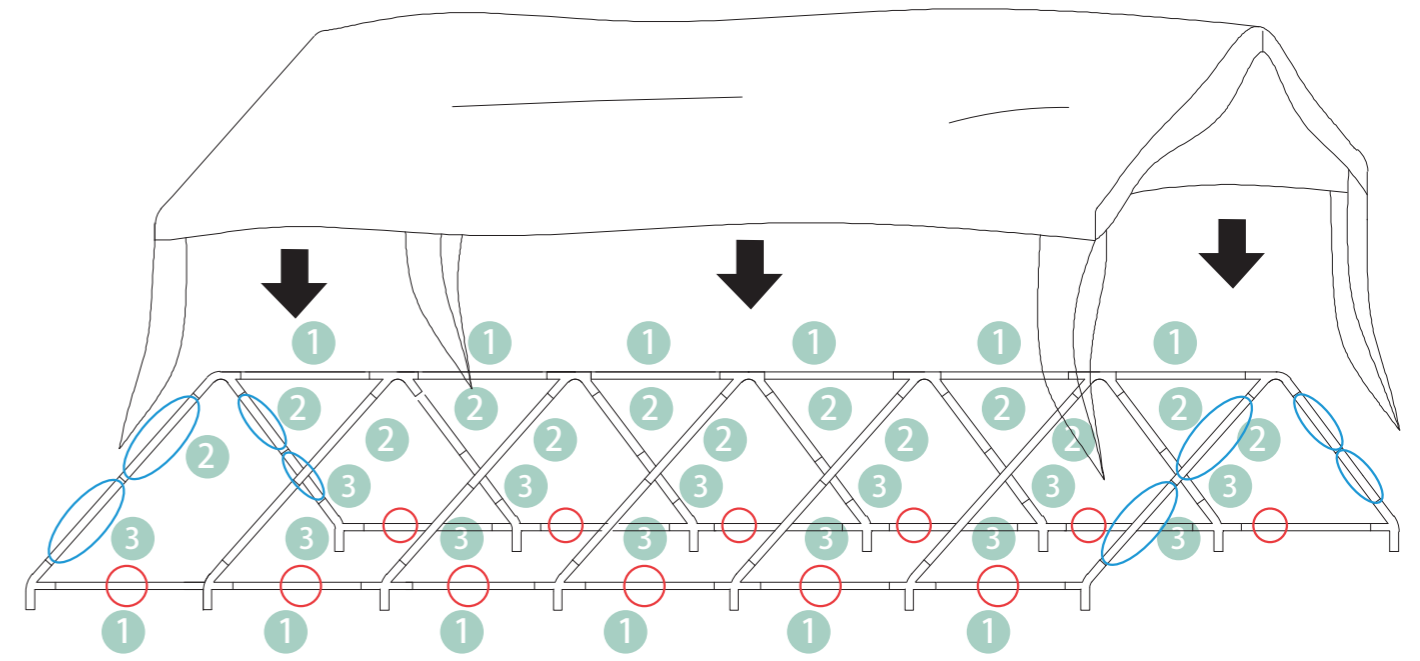


1pc



96pcs

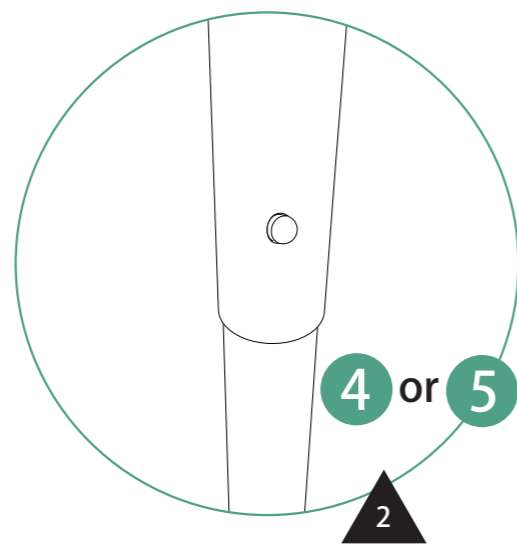
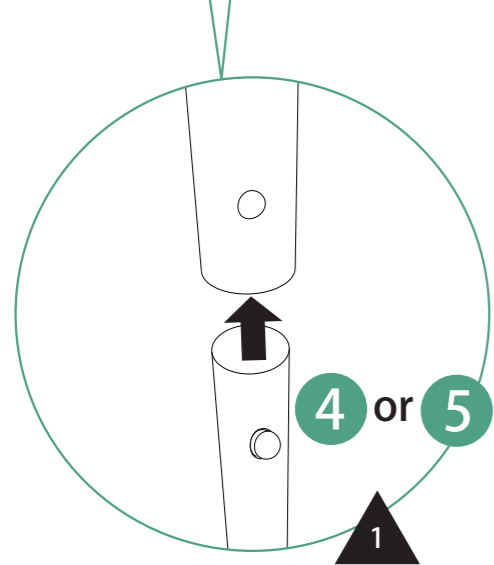
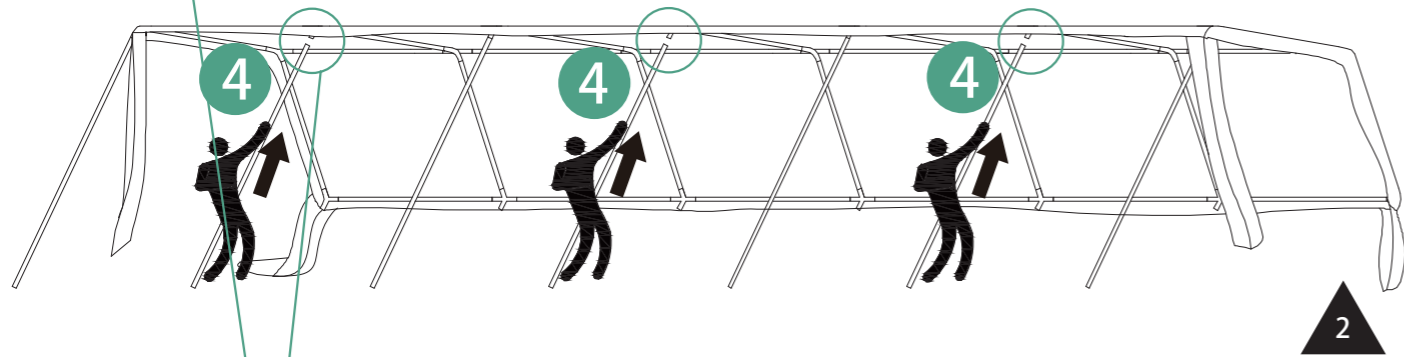
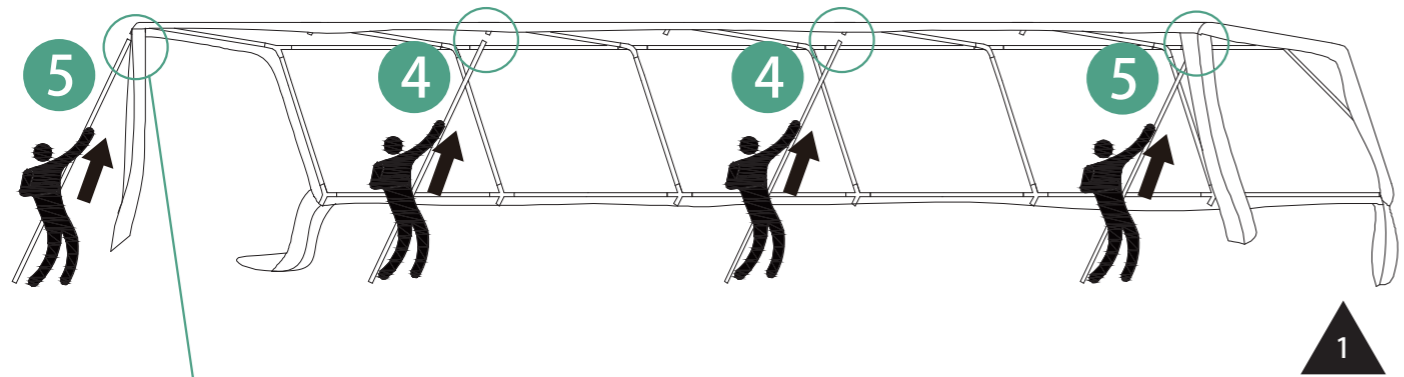
Every part in the picture marked in blue must be installed with 6 bungee cord fasteners, while parts marked in red with 4 bungee cord fasteners. The poles marked in red can be temporarily secured first. The same fasteners are used to secure the cover cloth during step 9.



6

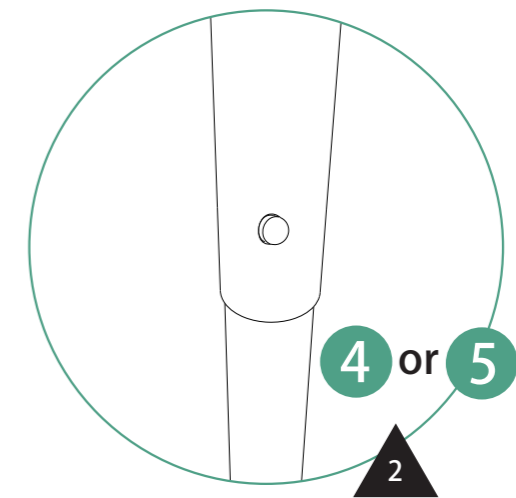
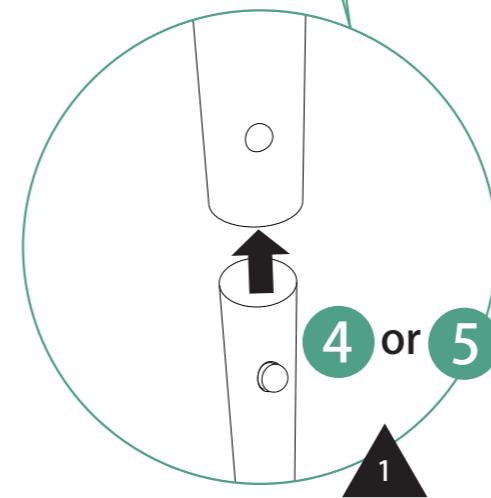
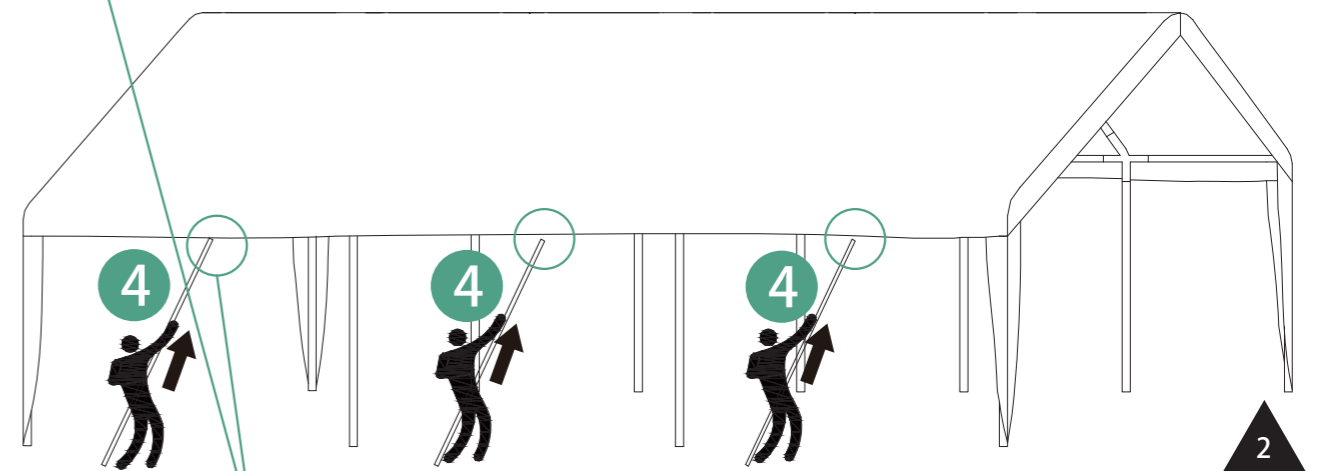
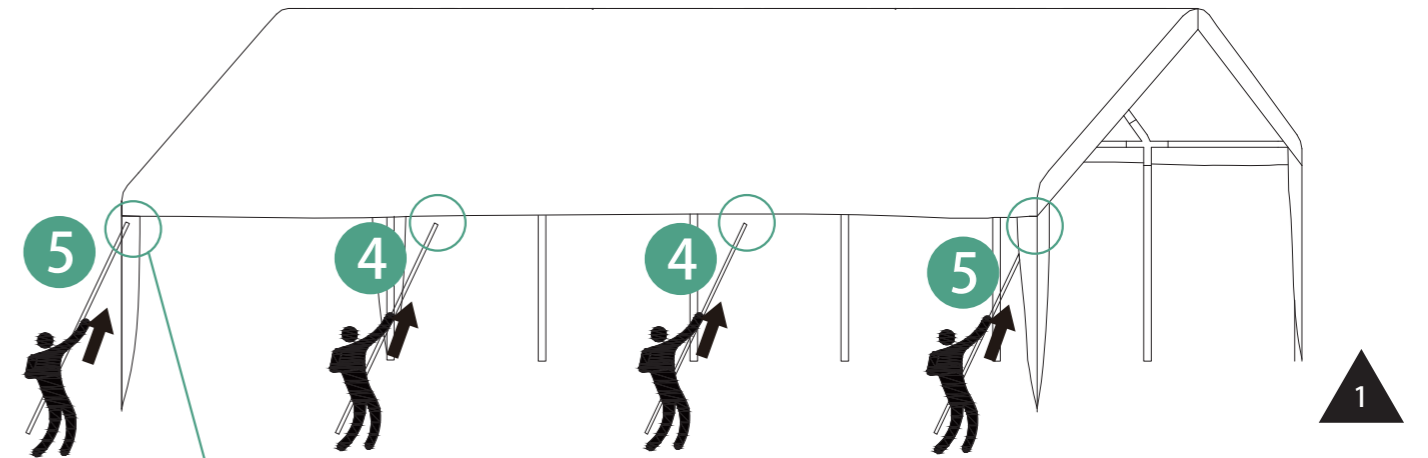
**5**

④ 5pcs      ⑤ 2pcs

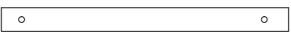


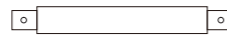
**6**

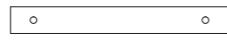
④ 5pcs      ⑤ 2pcs





7

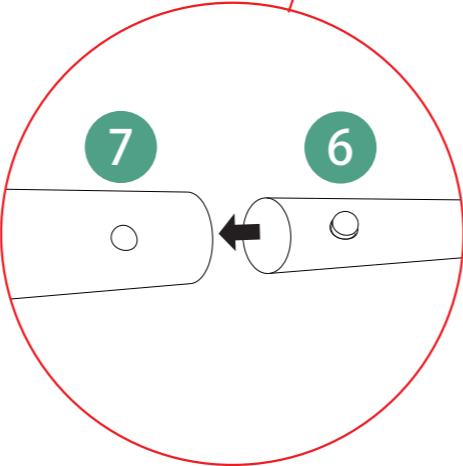
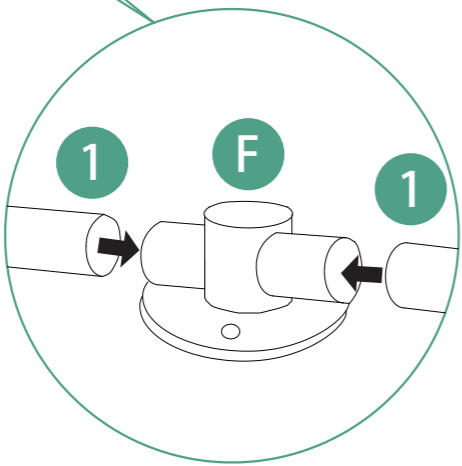
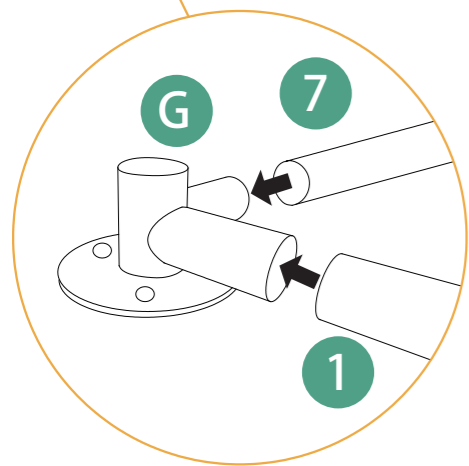
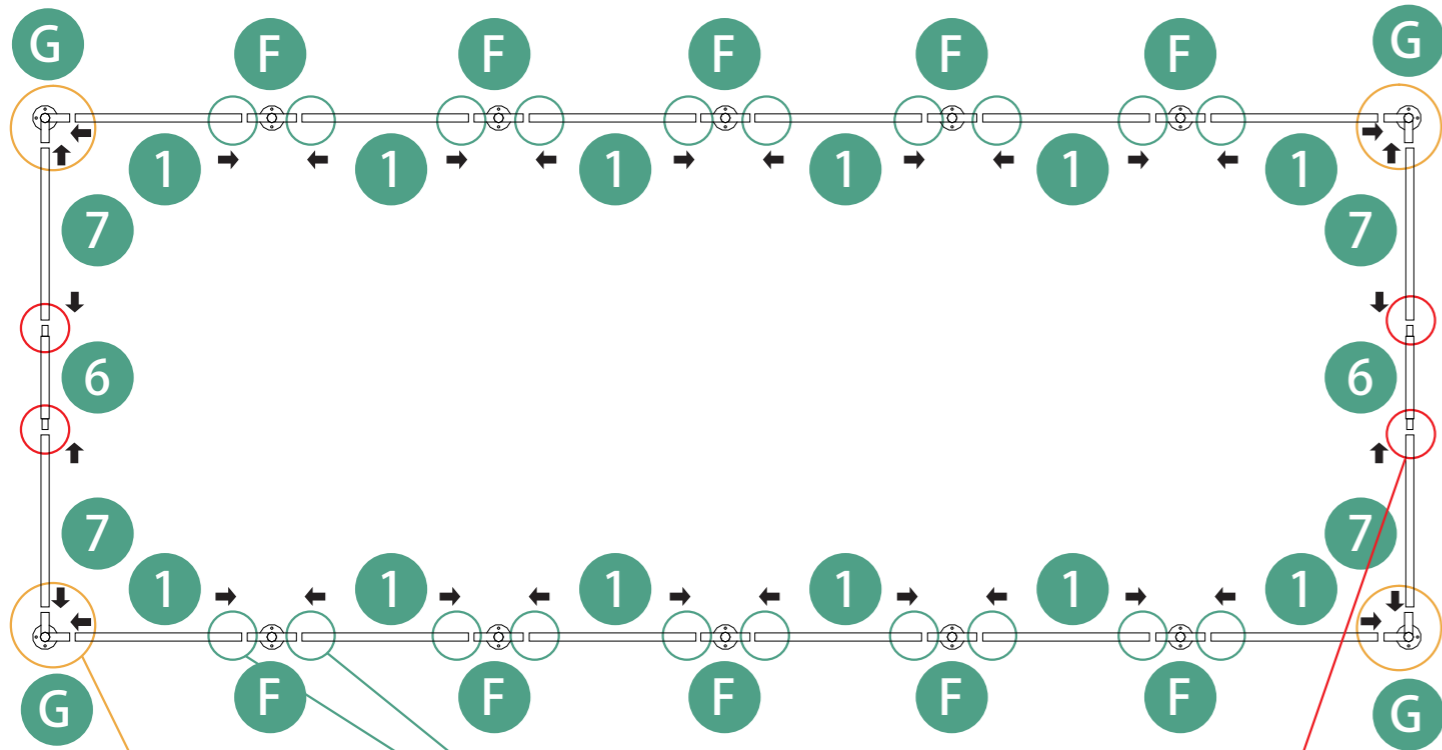
  
 ① 12pcs

  
 ⑥ 2pcs

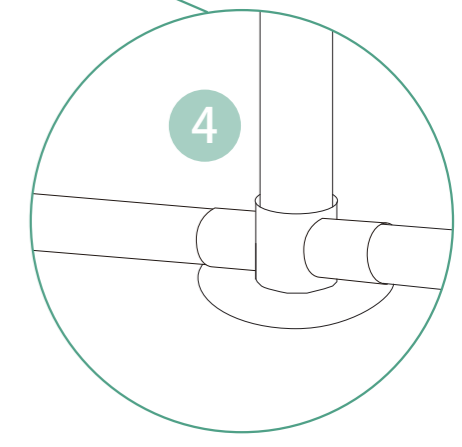
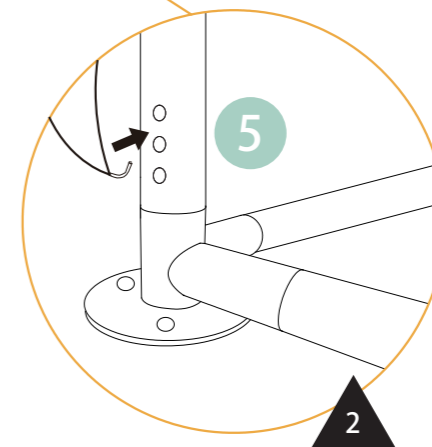
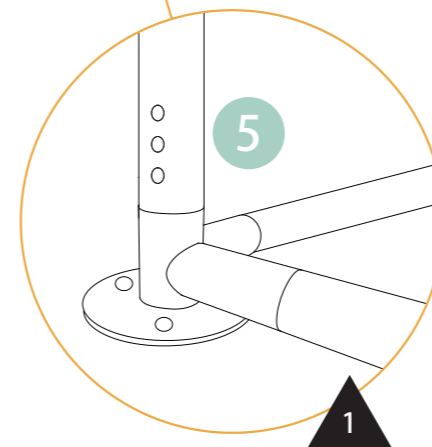
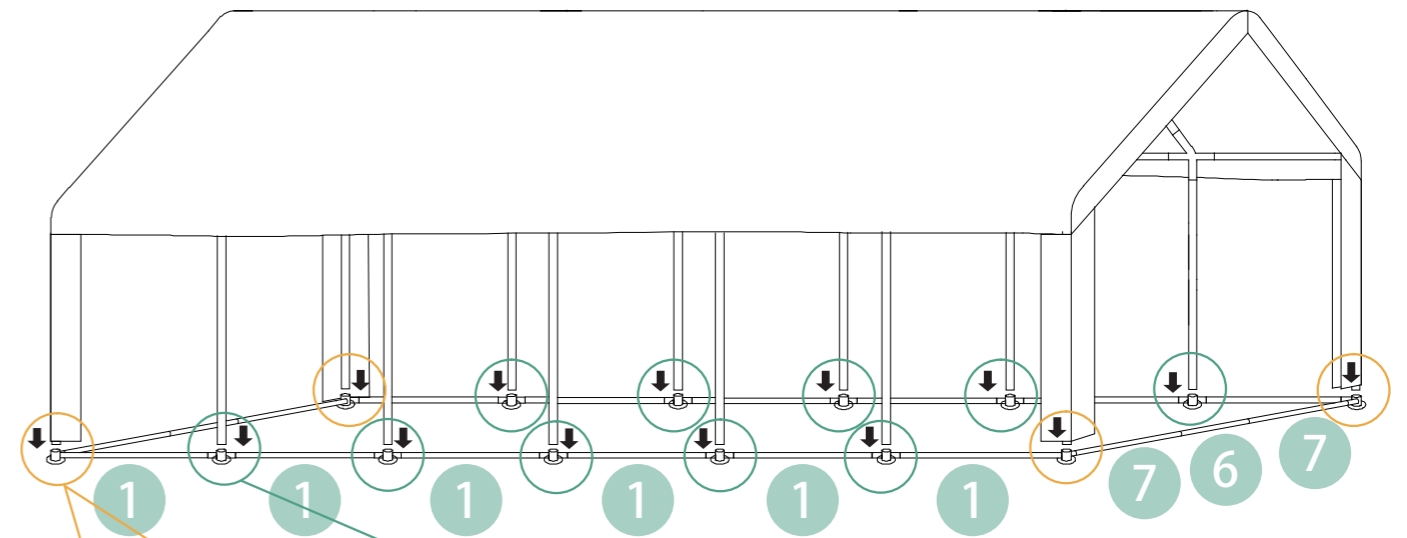
  
 ⑦ 4pcs

  
 ① 10pcs

  
 ④ 4pcs



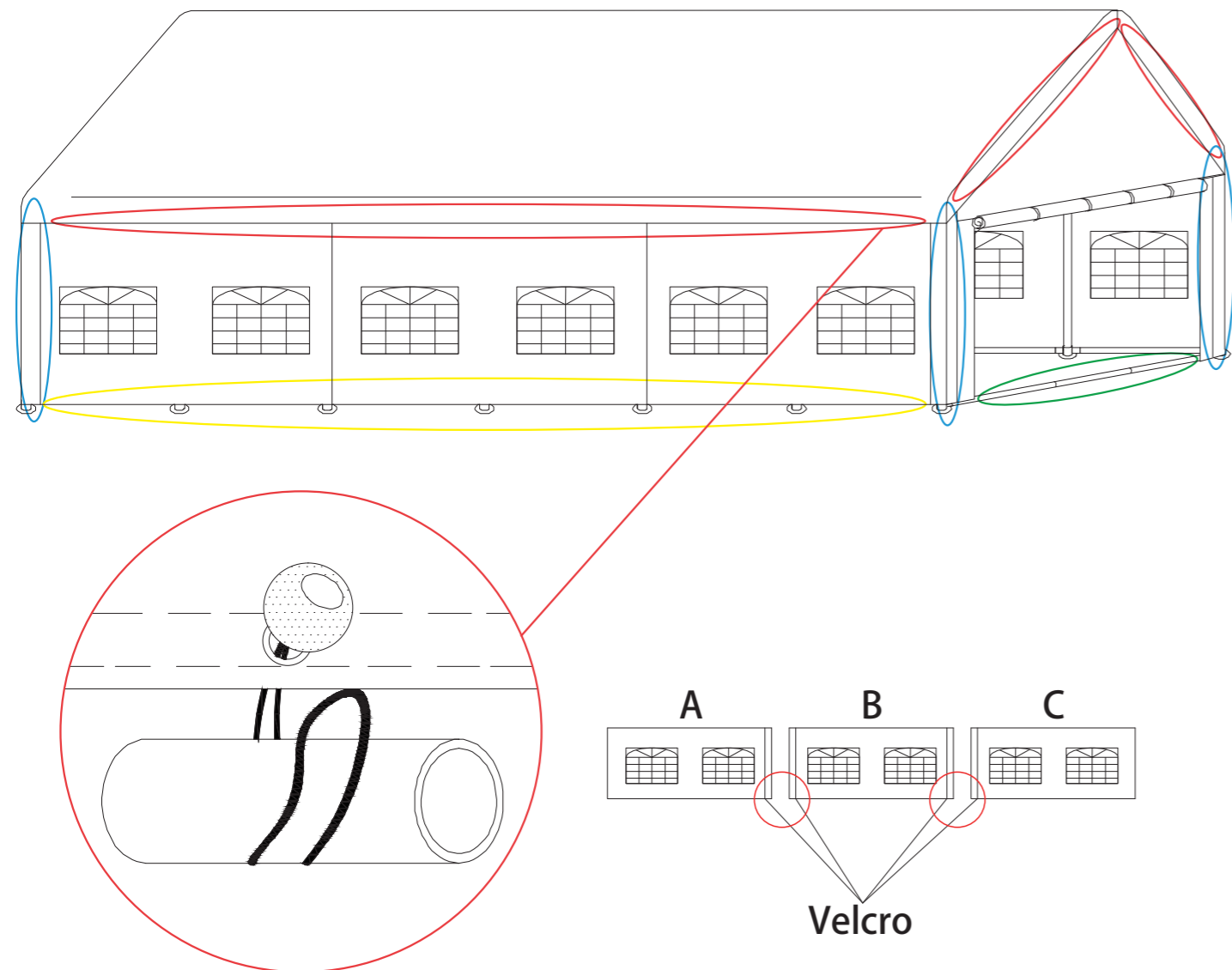
8



**9**

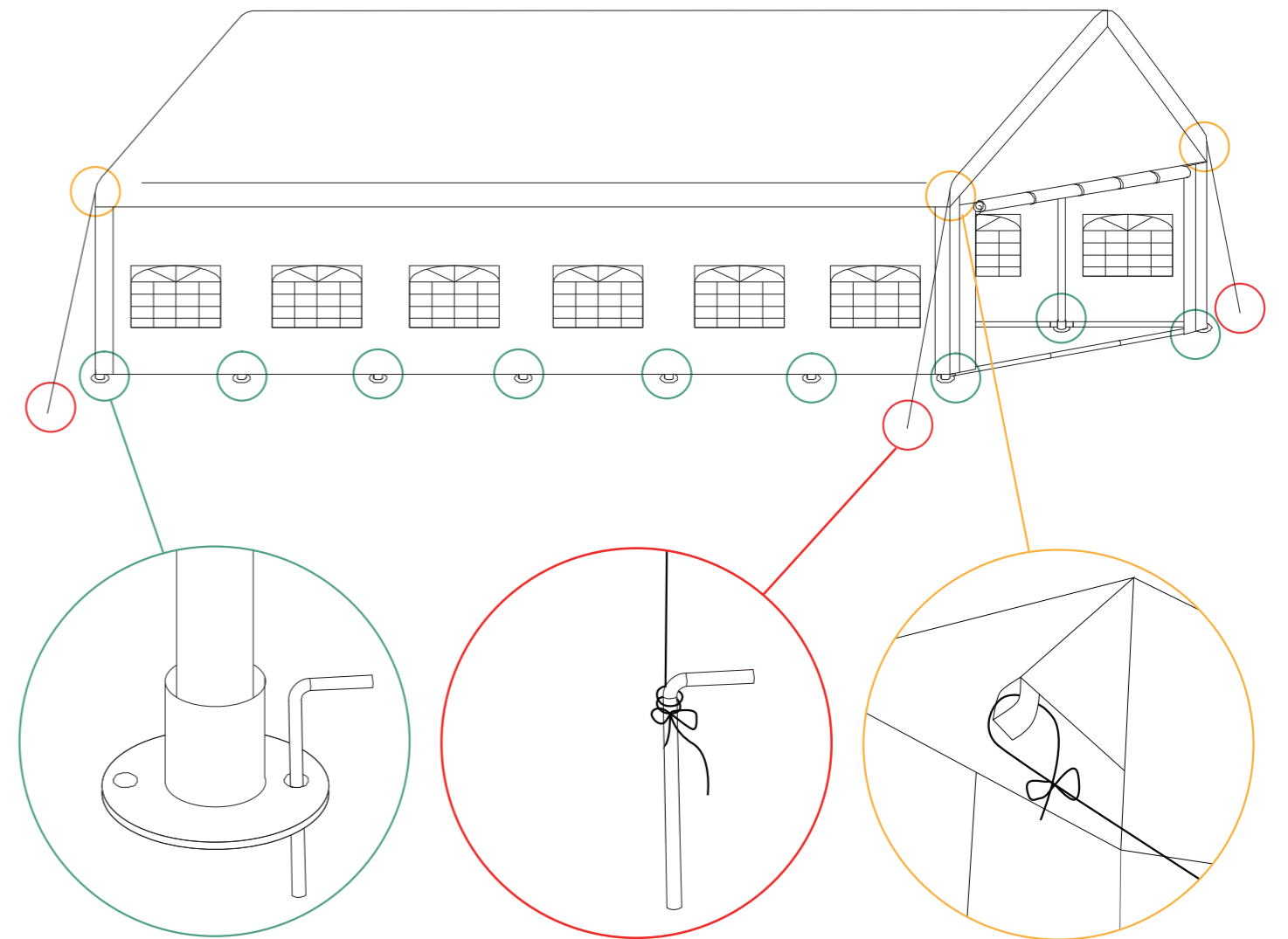
|       |      |              |              |              |
|-------|------|--------------|--------------|--------------|
|       |      | <b>A</b><br> | <b>B</b><br> | <b>C</b><br> |
| 56pcs | 2pcs | 2pcs         | 2pcs         | 2pcs         |

The fasteners marked in red are the same ones used in step 4.  
 4 bungee cord fasteners are needed for part 4 (marked in blue).  
 12 bungee cord fasteners are needed for part 1 (marked in yellow).  
 8 bungee cord fasteners are needed for part 6&7 (marked in green).  
 Hang Side Wall A,B,C from left to right.

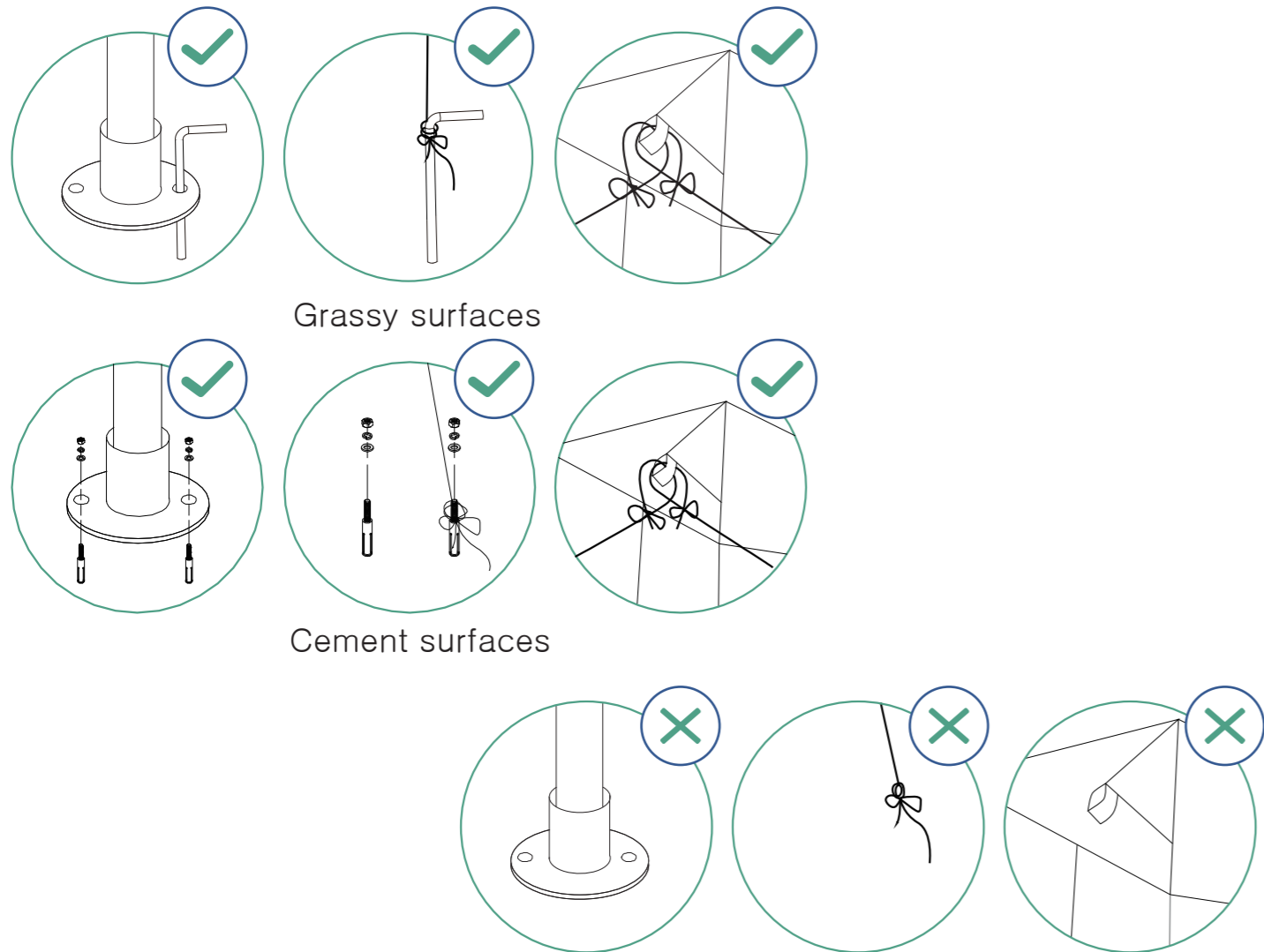


**10**

|              |      |
|--------------|------|
| $\phi 5$<br> |      |
| 18pcs        | 4pcs |

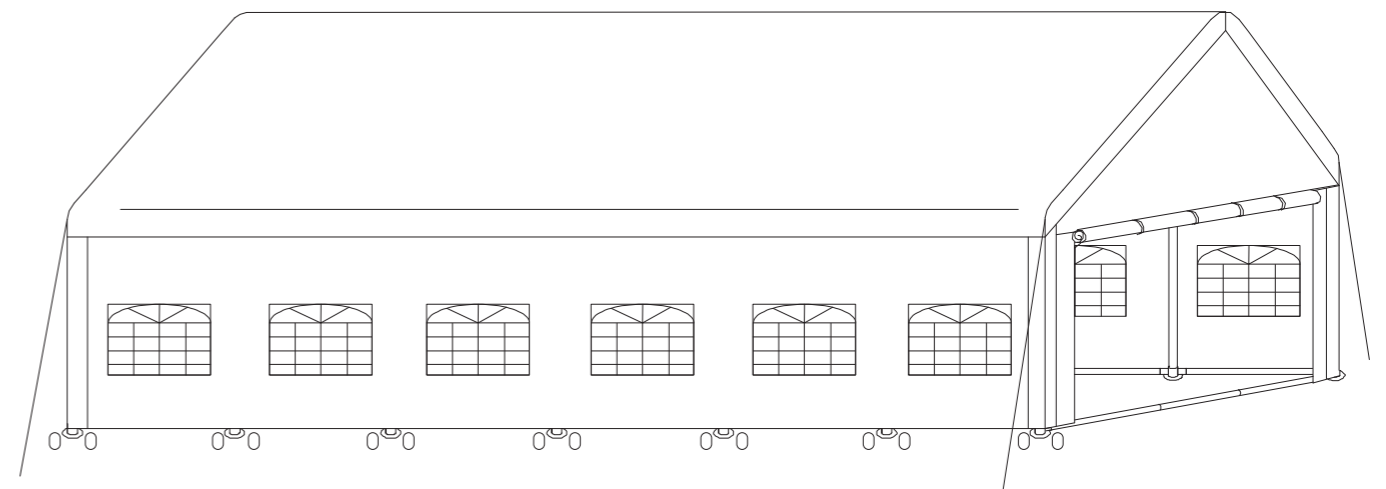


# 11



To improve wind resistance,  
**be sure to complete this installation step. If expansion screws or ground nails are not installed, strong winds may topple the gazebo.**  
 Expansion screws are essential for stability on cement surfaces, and ground nails are for grassy surfaces.  
 Ground nails are included in the package while expansion screws are not provided.

# 12



Complete Installation