

CARE AND MAINTENANCE

To remove dust from your fabric sofa, brush delicately using a brush with soft bristles or use a vacuum cleaner at a medium power output setting using the most suitable accessory supplied with the cleaner and taking care not to rub the accessory directly on the covering.

To maintain the aesthetic appearance it is advisable to treat each stain before it is absorbent excessively: This will avoid prolonged or abrasive treatments being required.













NOTICE

* Please make sure that you have all parts indicated before you begin assembly of this item.

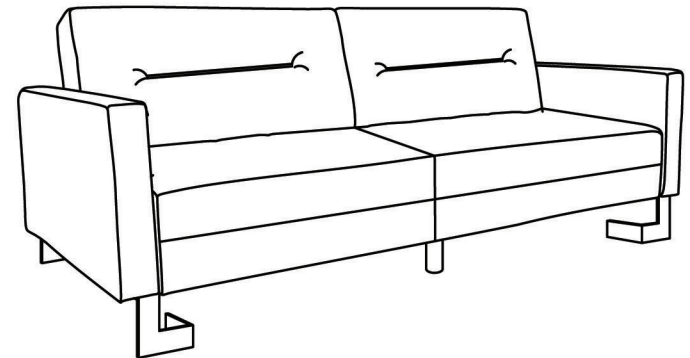
* This item should be assembled on a soft surface to prevent scratching/dirty the surface during assembly.

* This item may require periodic tightening.

Part List

PIECE	DESCRIPTION	PICTURE	QUANTITY
A	Long screw		16pcs
B	Short screw		8pcs
C	Nut		8pcs
D	Allen wrench		1pcs
E	Open end wrench		1pcs
F	Washer		8pcs
G	Double teeth screw		8pcs
H	Washer (small)		16pcs
①	Armrest		2pcs
②	Middle support leg		2pcs
③	Leg		4pcs
④	Sofabed		1pcs

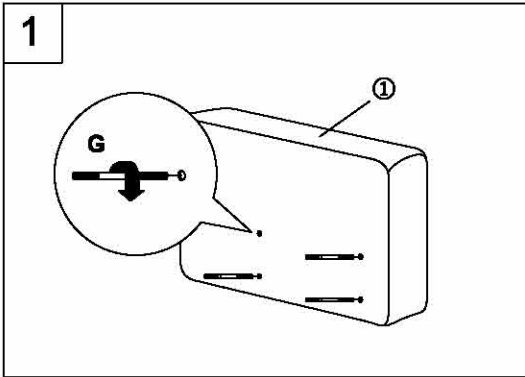
Product dimension: 74.8"Wx33.07"Dx36.61"H



PREPARATION

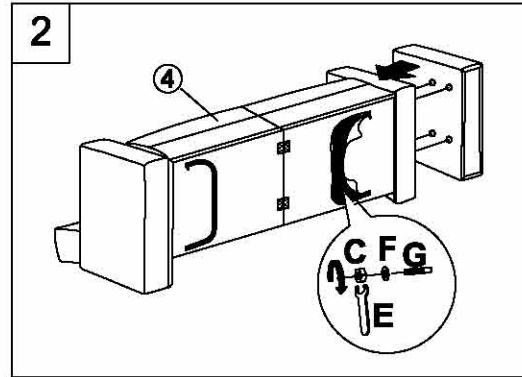
Before beginning assembly of product, make sure all parts are present. Compare parts with package contents list if any part is missing or damaged, do not attempt to assemble the product.

Estimated Assembly Time :15minutes.



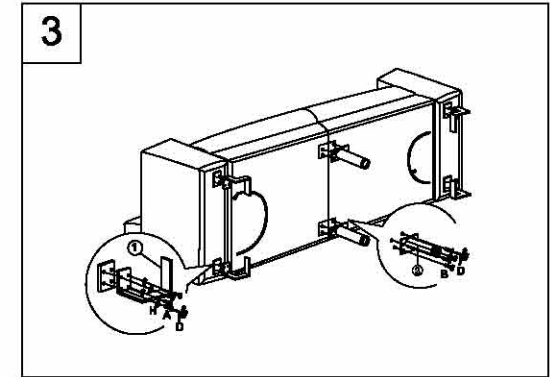
Step 1

Take all packaging off the sofa bed, screw the bolts G on armrest ①.



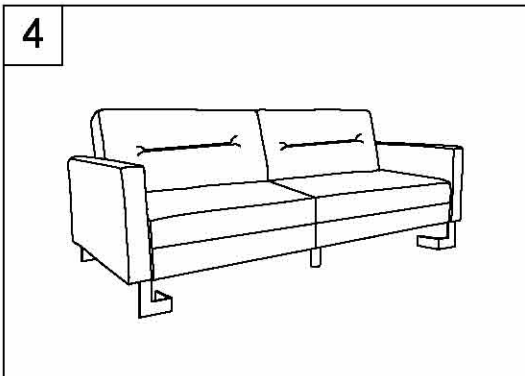
Step 2

Open the zip that under bottom of sofa bed (C,E,F,G), and then insert the bolts into sofa bed ④, tighten unit.



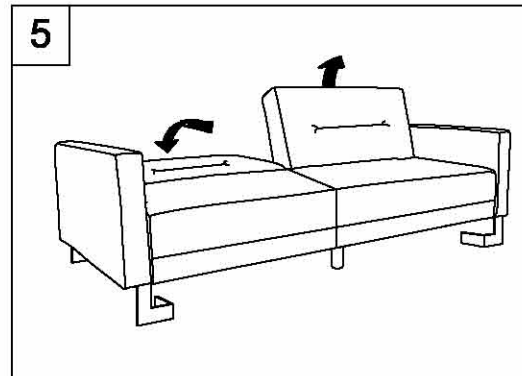
Step 3

Assemble the legs ② by bolts (B, D). Assemble the legs ③ by bolts (A, D, H). Turn the sofa bed up to rightside.



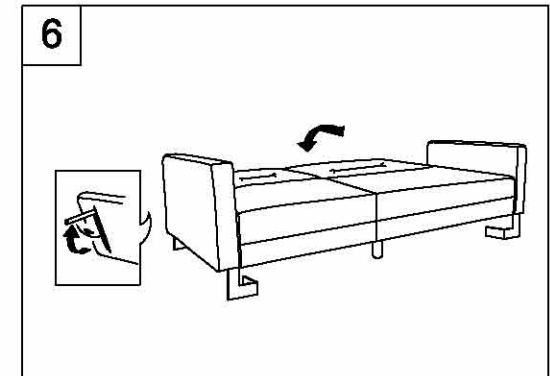
Step 4

Adjustable the backrest to the position that you want.



Step 5

Push the back forward.



Step 6

Pull the support legs at back, and put down the backrest to come to bed.