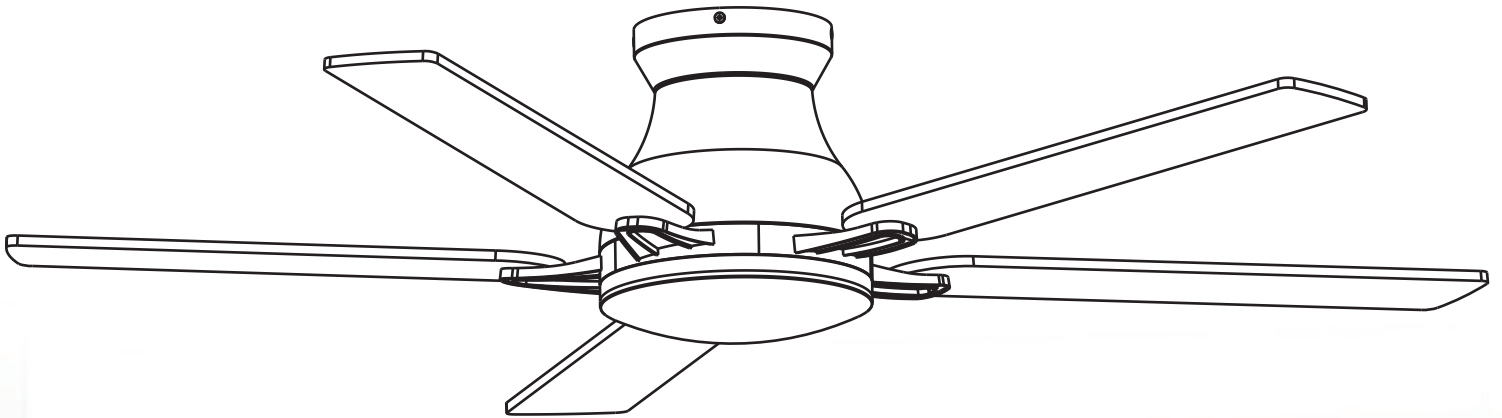


OWNER'S MANUAL

Read and Save These Instruction



CONTACT INFORMATION

Feel free to reach out to us if you encounter any issue when using our products.



WARNING

WARNING: To avoid fire, shock and serious personal injury, please read the following instructions carefully.

Important Safety Instructions

1. Read all instructions and safety information before installing your new fan. Review the accompanying assembly diagrams.
2. Before installing the fan, disconnect the power by removing fuses or turning off circuit breakers.
3. Make sure all electrical connections comply with local codes, ordinances, or National Electrical Codes. Hire a qualified electrician or consult a do-it-yourself wiring handbook if you are unfamiliar with installing electrical wiring.
4. Make sure the installation site you choose allows the fan blades to rotate without any obstructions. Allow a minimum clearance of 7 feet from the floor to the trailing edge of the blades.
5. If you are mounting the fan on a ceiling outlet box, use a metal outlet box. Secure the box directly to the building structure. The outlet box and its support must be able to support the moving weight of the fan (at least 50 lbs.). Do not use a plastic outlet box. Attach the mounting bracket by using the hardware supplied with the ceiling outlet box.
6. If you are mounting the fan to a joist, make sure it is strong enough to support the moving weight of the fan (at least 50 lbs.)
7. After installing the fan, make sure all the connections are secured. This will prevent the fan from falling.
8. Do not insert anything into the fan blades while the fan is operating.
9. Turn the fan off and wait for it to stop before reversing fan direction.
10. To reduce risk of electrical shock and personal injury, do not install the fan on a sloped ceiling.
11. To reduce the risk of electrical shock and personal injury, do not use this fan with any solid-state.
12. To reduce risk of personal injury, use only the two steel screws and lock washers provided with the fan for mounting the outlet box.



WARNING

- Do not install the fan with wet hands.
- Do not insert foreign objects between the rotating fan blades.
- Do not bend the fan blades when installing or cleaning the fan.
- Do not disassemble or modify this product or use non-original parts without permission.
- Keep children away from your working area.
- Properly dispose of the fan's packaging material.
- Make sure the ceiling fan is firmly secure to the ceiling. Double check all connections before you restore power.
- Turn off the fan and wait for the blades to stop completely before performing any maintenance or cleaning.

Preparation

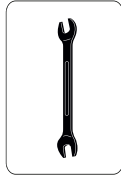
Tools required for assembly(not included)



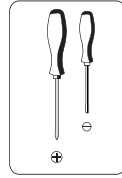
Step Ladder



Power Drill



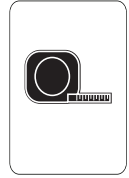
Screwdriver



Wire Stripper

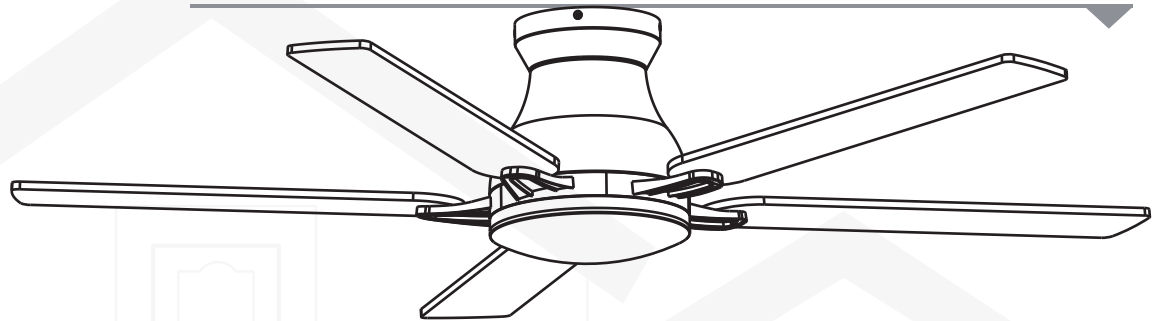


Electrical Tape



Wrench

Installation Location

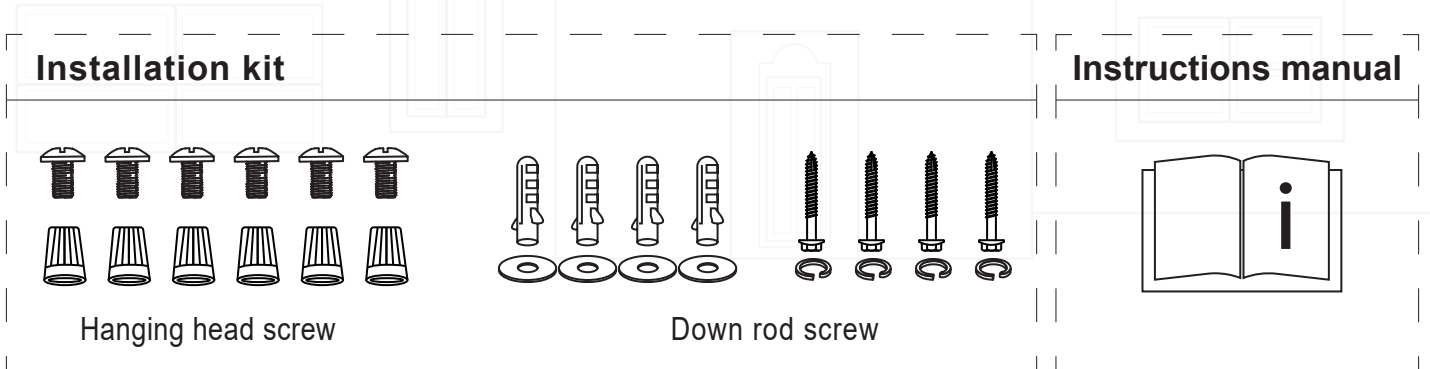
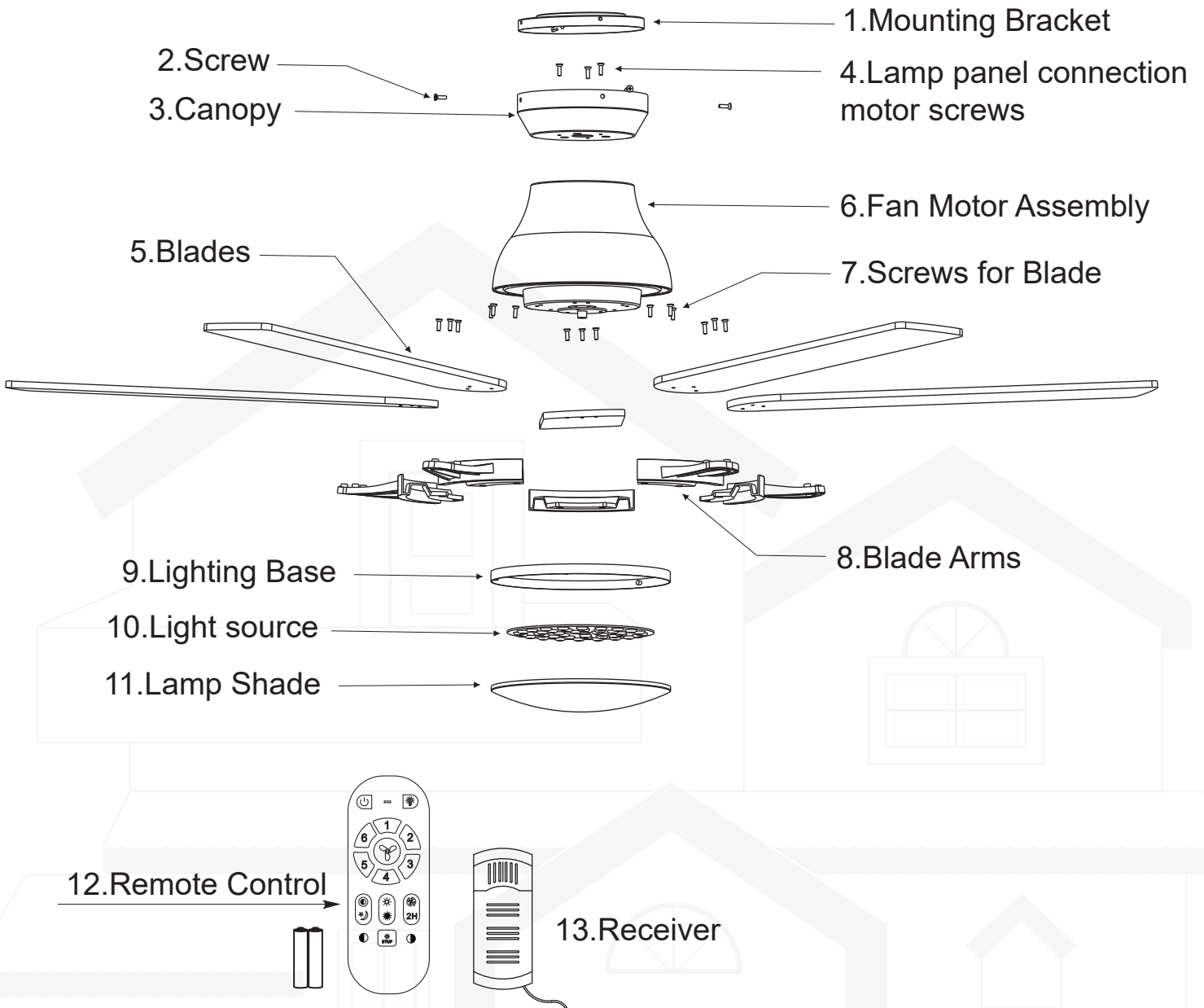


20 inches (50 cm)
from the blade tip
to the wall

7.6 feet (2.3 m)
above the floor

Part List

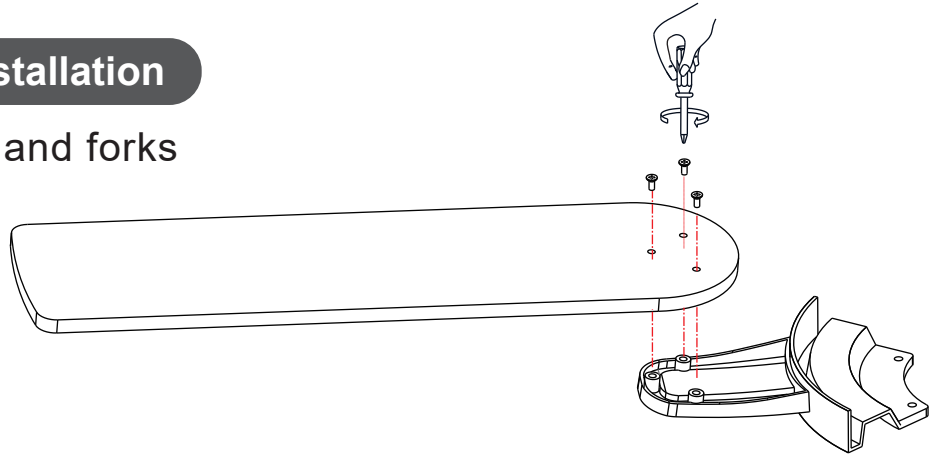
Unpack your fan and check the contents. Please check each item prior to installation. To reduce the chance of marks or possible damages, please remove the parts when required for installation.



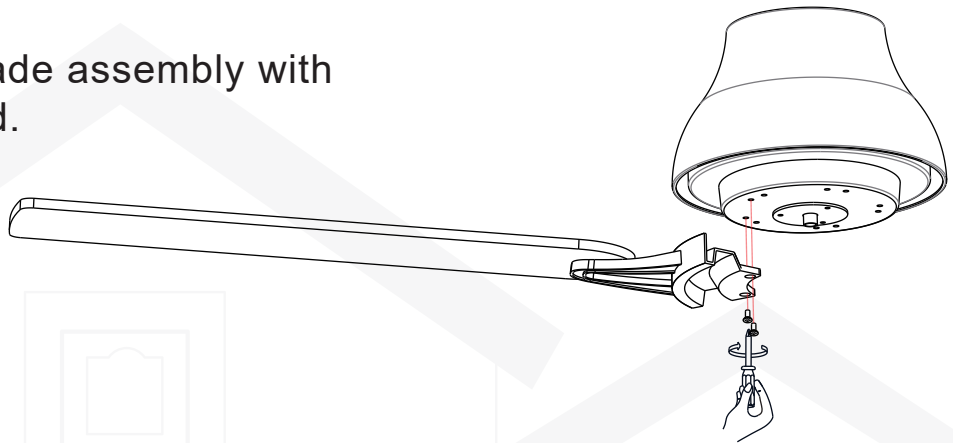
Ground Assembly

Step 1: Fan Blade Installation

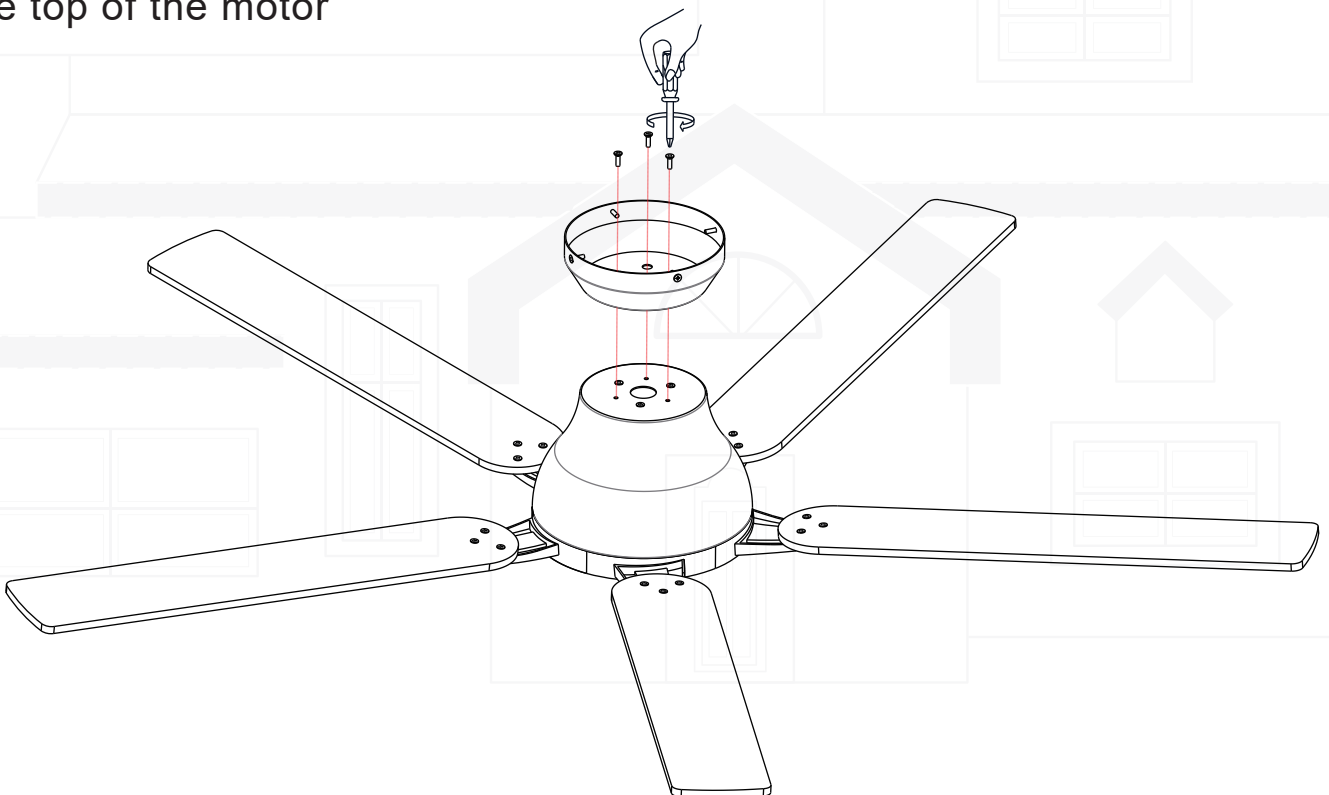
- 1 Fix the fan blades and forks with screws



- 2 Assemble the blade assembly with the screws provided.



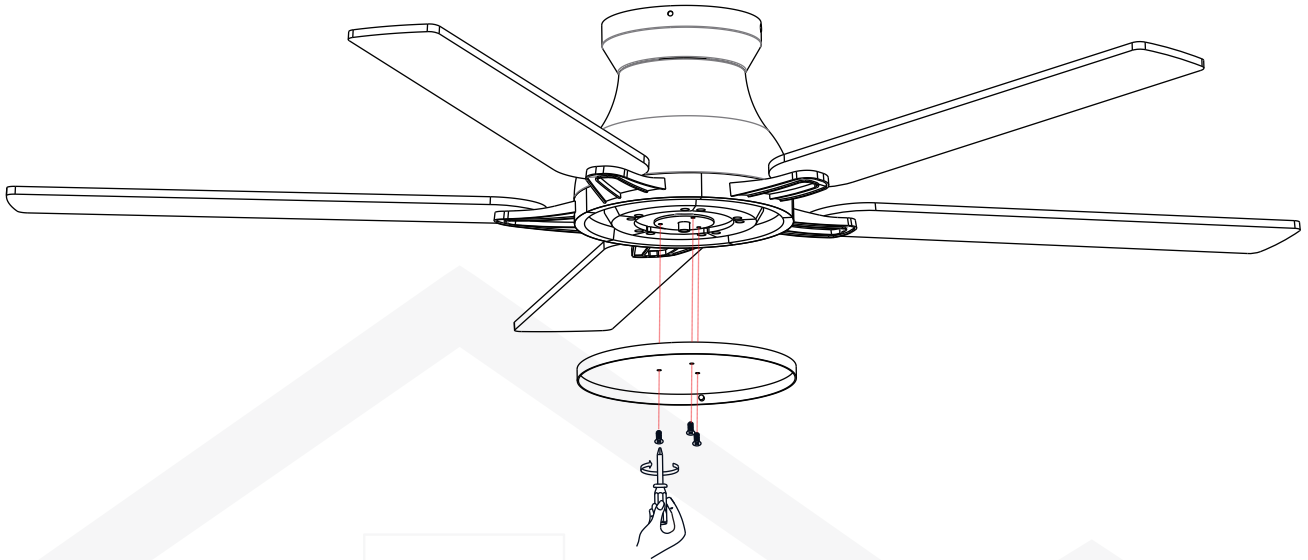
- 3 install the suction tray, thread the screws through the reinforcing gasket in sequence, and firmly connect the suction tray to the four screw holes on the top of the motor



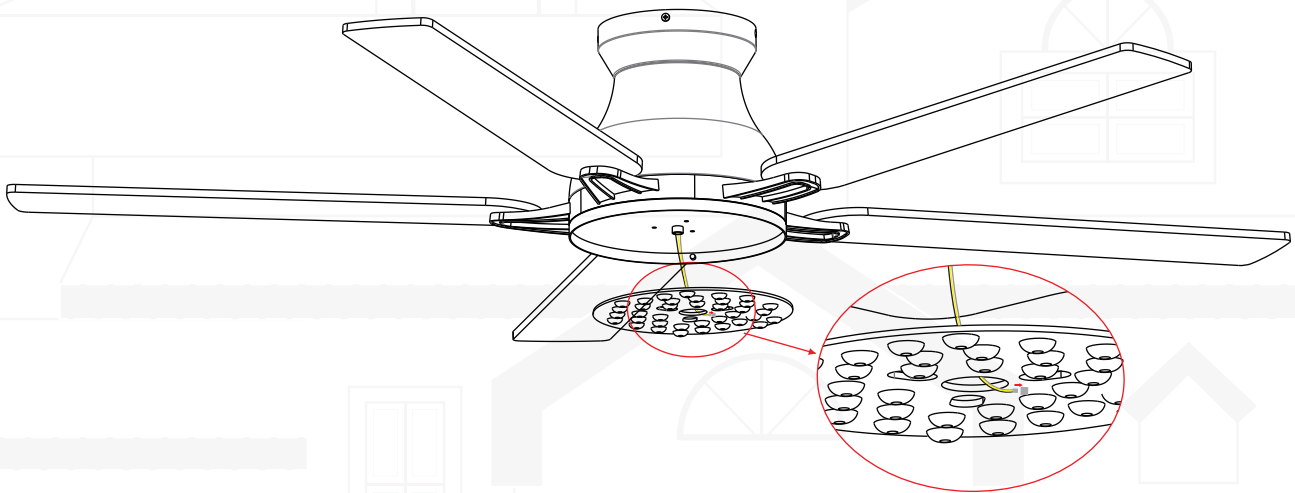
Ground Assembly

Step 2: LED Board Installation

- 1 Install the screws into the corresponding holes.
(TIPS: The motor wires NEED to go through the light panel and split nut.)



- 2 Connect the LED terminal with motor terminal.

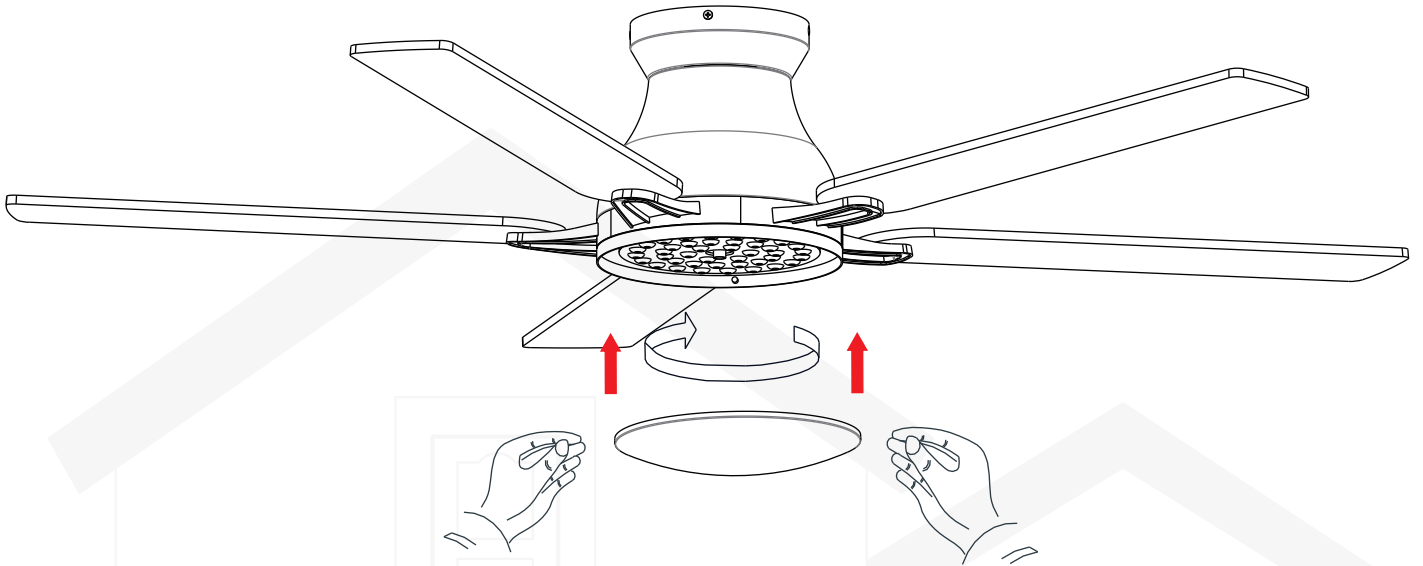


Partial enlarged view after installation of light source

Ground Assembly

Step 3: Install the Lampshade

- 1 Spin forward to tighten the lampshade.



⚠ WARNING Take care not to over tighten when installing the glass shade

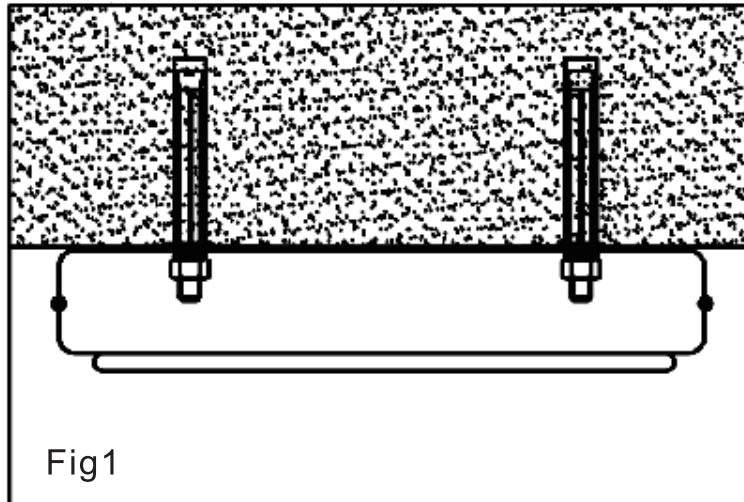
Mounting the Ceiling Plate

Tools Required: Phillips screwdriver, a pair of pliers, straight slot screwdriver, adjustable wrench, step ladder, and wire cutters

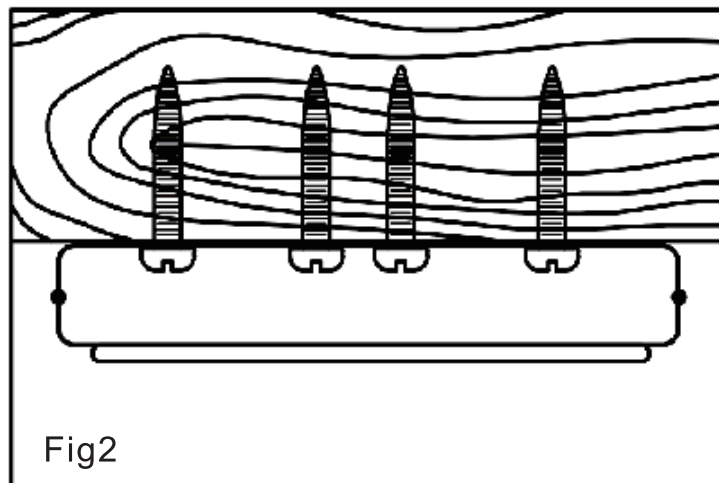
INSTALLING THE MOUNTING BRACKET

The ceiling fan must be installed in the location where there is 12" (300mm) spacing from the tips of all blades to the nearest objects or walls. REMEMBER to turn off the power before hanging the fan. Follow the instruction below to hang your fan properly:

1. For concrete ceiling, drill two holes in the ceiling and secure the mounting bracket to the ceiling with two $\Phi 0.32$ " (8mm) (distance between the two holes should be appropriate) expansion screws, flat washers nuts provided and tighten with a spanner.



2. For wood ceiling, secure the mounting bracket to the ceiling that is capable of carrying a load of at least 100lbs (45kgs) with two long mounting screws and washers provided. Be sure at least 0.12" (30mm) of the screw is threaded into the support.

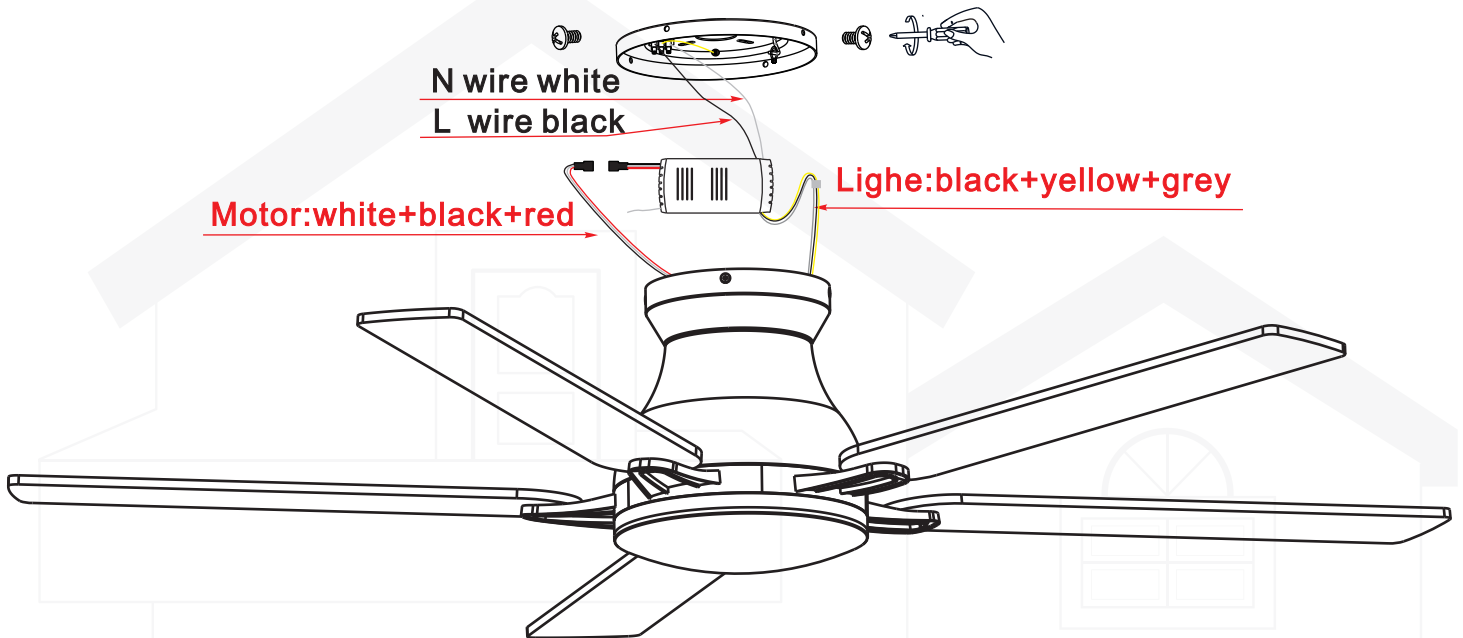


Wiring

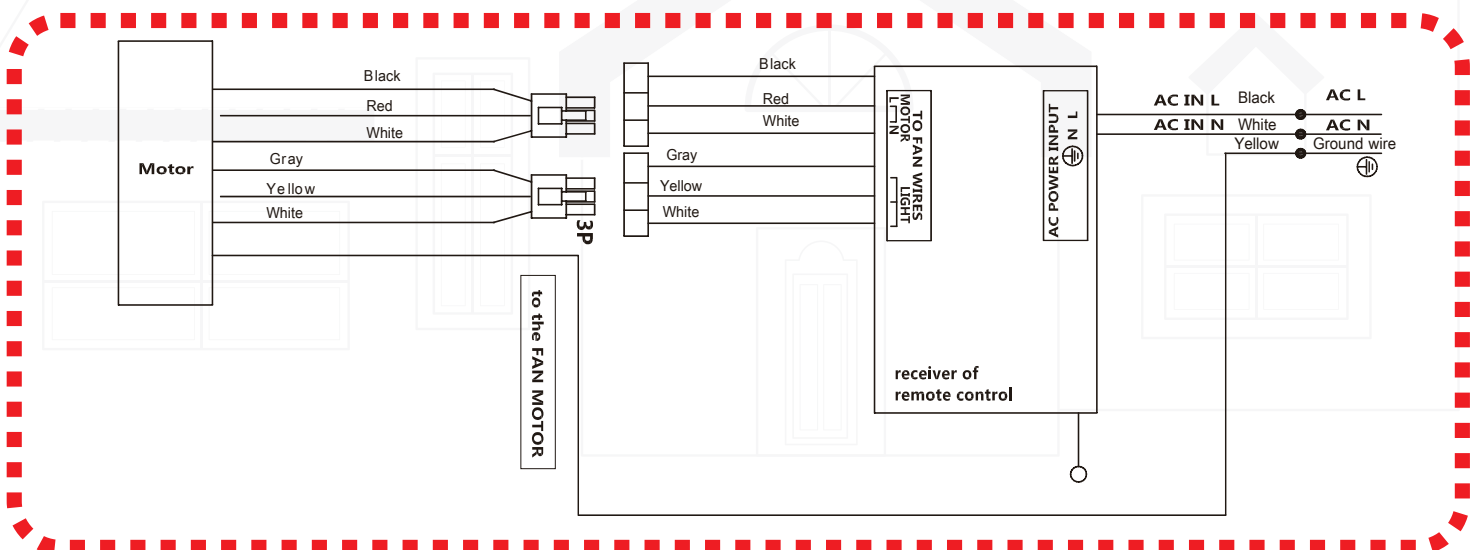
Step 4: Color to Color. The plug to the plug

⚠ WARNING To avoid possible electrical shock , be sure the electricity is turned off in the main fuse box before wiring.

1. Connect the black wire on the motor to the live wire in the room, the white wire on the motor to the natural wire in the room, and connect the yellow ground wire on the ceiling mounting plate to the ground wire in the room.
2. Connect the same color wire on the receiver and fan body together.
3. After wiring is completed , fix the fan lamp body onto the hanging board with screws.



- 1 Connect the wires according to the polarity (the color of the Housepower cord may be different if the color is the same)



Remote Control Setting

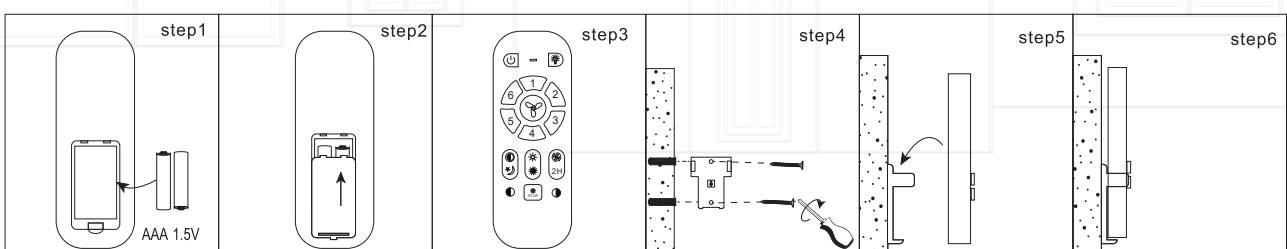
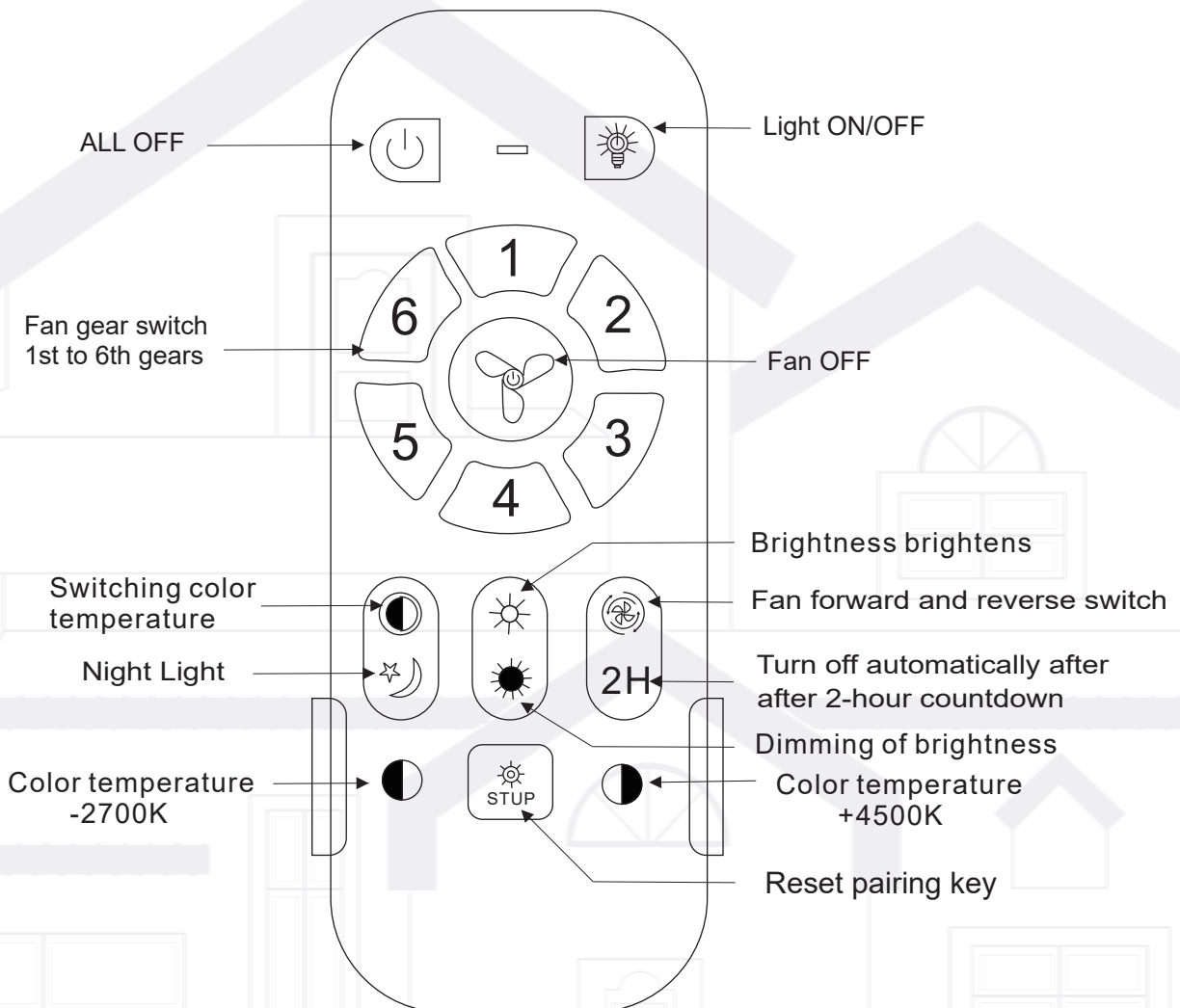
Step 5: How to Operate Your Ceiling Fan

How to choose different lengths of downrod

1. Restore electrical to the outlet box by turning the electricity on at the main fuse box.
2. Remove the battery cover from the remote control transmitter install the battery, and replace the cover.

Note:

- 1). Use 1 12V battery to replace battery.
- 2). If not using for long periods of time, remove the battery to prevent damage to the remote transmitter, and store the remote transmitter away from excess heat or humidity.
3. The buttons on the remote control transmitter control the fan speed and lights as follows.



IMPORTANT:PAIRING BETWEEN REMOTE AND RECEIVER

1.Turn "ON"the power supply and within 30 seconds press and hold the transmitters FAN ON/OFF button for 5 seconds and a beepwill be heard this will then activate a successful pairing and all functions will work normally.

IMPORTANT:

pairing initial step must be performed within 30 seconds of power being turned on.

1(a). when pairing multiple fans please ensure the isolation switch or power supply to the first installed fan is turned off prior to pairing futher fans e.g please pair onefan at a time

1(b). please ensure isolation switch is kept to the ON position, the isolation switch is not to be used as a light switch as this will damage and make the remote recevier inoperable

2.If the transmitter functions are not working please check the battery orientation and power level. Low battery voltage will affect the functions of your transmitter and operation of your fan. Other remote controls nearby using the same frequency may cause interference with the Fans receiver.

3.Please remove batteries from the transmitter if leaving unused for an extended period of time.

4.Remote supports 200w maximum on lighting side.

IMPORTANT REMAINDERS

1.Please note: Receiver must be correctly installed in the mounting bracket on fan

2.When the transmitter cannot control the receiver, please check the battery has sufficient charge in the transmitter.

3.When the transmitter cannot control the receiver, please check if there is any existence of similar remote controlled products nearby, causing interference with each other.

4.Low power of battery will affect the sensitivity of the transmitter and the signal reception accordingly, must replace if the battery is getting low power.

5.Please take the battery out from the transmitter when leaving unused for a longtime, to avoid batterv leaks.

6.Isolation Switch"Must be connected in the line."

7.When power is cut to the unit (via a blackout or otherwise) when power is restored the light will come on.

Before carrying out any cleaning or maintenance work, always make sure that the appliance is disconnected.
LED lights are not removable. LED lights can only be used within the product delivery, they can not be replaced.