

Thank you for choosing a **Palace Imports** product.

Your complete satisfaction is our top priority.

Customer Service and Warranty Information

- **For Warranty Assistance:**

If you experience any issues or require additional information regarding your warranty, please do not contact the place of purchase. Instead, reach out directly to our Customer Service Team at info@palaceimportsinc.com or visit our website at www.palaceimportsinc.com for prompt support.

- **Warranty Coverage:**

PALACE IMPORTS warrants its products to the original purchaser against defects in materials or workmanship. A defect is defined as any flaw that impairs the normal use of the product. This warranty is limited to the replacement of defective parts or components and is valid for one (1) year from the date of purchase.

- **Warranty Limitations:**

This warranty covers products used under normal household conditions. It does not apply to furniture used outdoors or damage resulting from improper assembly or disassembly, product modification, intentional damage, accidents, misuse, exposure to elements, or any labor or assembly costs.

- **Additional Terms:**

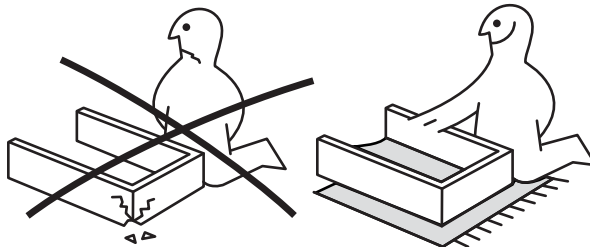
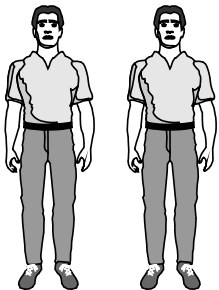
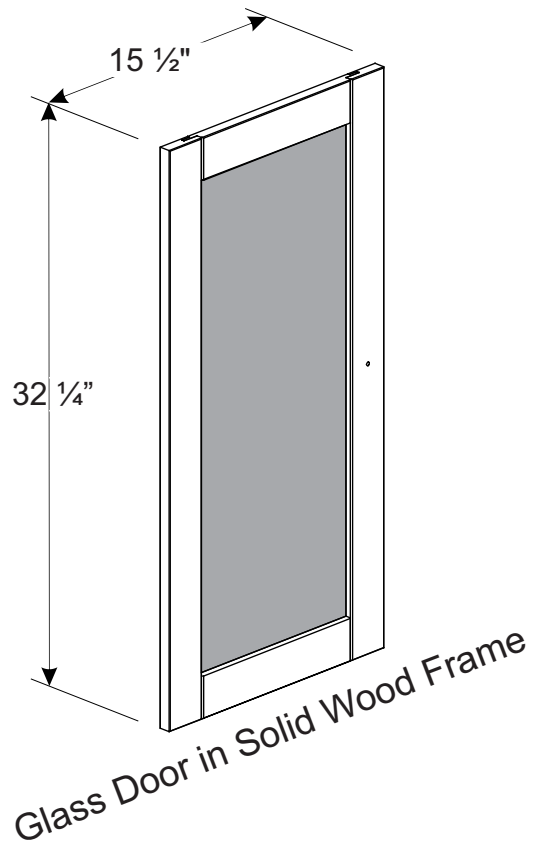
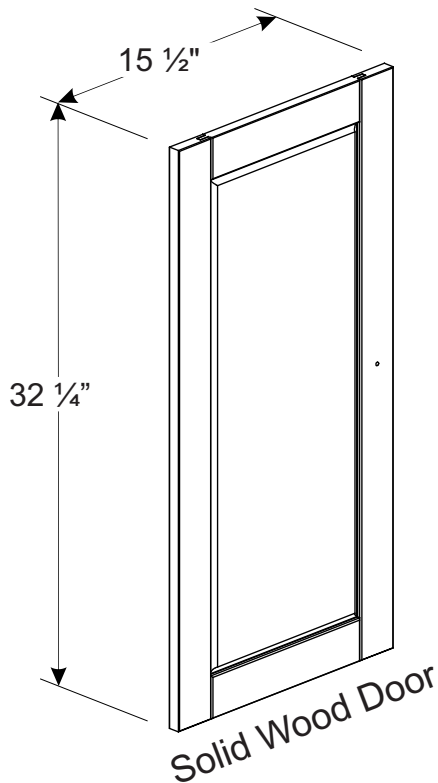
PALACE IMPORTS reserves the right to require proof of purchase to process any warranty claim. We are not liable for any incidental or consequential damages arising from the misuse of our products.



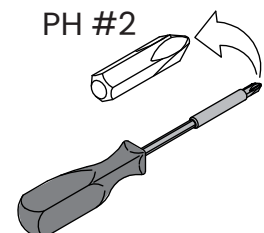
ASSEMBLY GUIDE

1 SHAKER DOOR, 1 SOLID WOOD DOOR, 1 CLEAR GLASS DOOR, 1 FROSTED GLASS DOOR

- SKU 3001 / 9011 / 9031 / 9051 - White
- SKU 3003 / 9013 / 9033 / 9053 - Mocha
- SKU 3005 / 9015 / 9035 / 9055 - Gray
- SKU 3007 / 9017 / 9037 / 9057 - Black
- SKU 3008 / 9018 / 9038 / 9058 - Teal
- SKU 300-10 / 901-10 / 903-10 / 905-10 - Yellow
- SKU 300-11 / 901-11 / 903-11 / 905-11 - Aqua
- SKU 300-12 / 901-12 / 903-12 / 905-12 - Green
- SKU 300-13 / 901-13 / 903-13 / 905-13 - Sage
- SKU 300-14 / 901-14 / 903-14 / 905-14 - Beige
- SKU 300-15 / 901-15 / 903-15 / 905-15 - Navy Blue
- SKU 300-16 / 901-16 / 903-16 / 905-16 - Antique Blue



REV - 09/2025



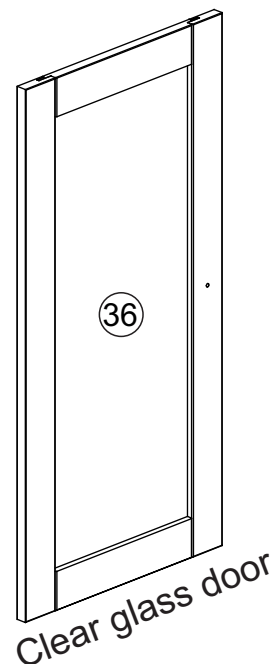
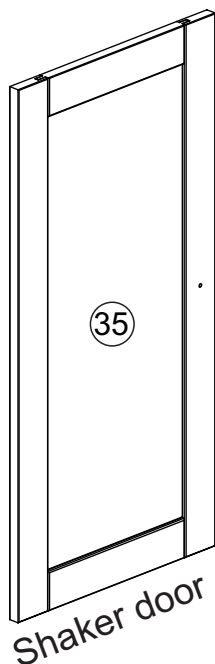
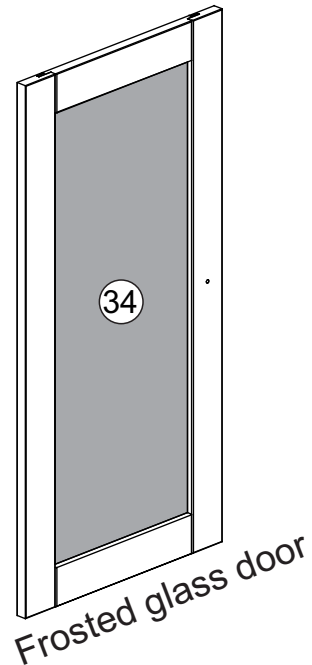
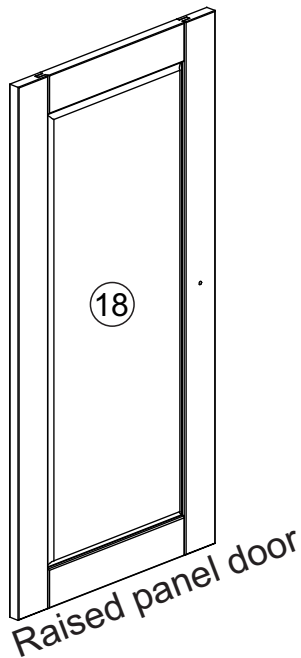
Before You Begin Assembly

- Carefully inspect the package contents. A complete parts checklist is provided below.
- If any parts are missing or damaged, please contact us at info@palaceimportsinc.com for assistance.

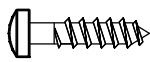
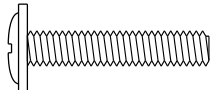
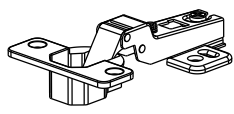
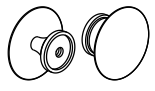
Assembly Tips

- Assemble the item on a flat, smooth surface. We recommend placing a blanket or protective covering underneath to prevent scratches.
- Use a power drill **only at a low-speed setting** to avoid damaging components.
- Assemble the product as close as possible to its final location to minimize the need for moving it later.
- Important: The hardware pack contains small parts that may pose a choking hazard.
Keep all small items out of reach of young children.

PARTS LAYOUT



Screws Are Illustrated at Actual Size for Accurate Reference

A44	 3,5x14	08+1
A25	 M4x25	01+1
F10		02
H4		01

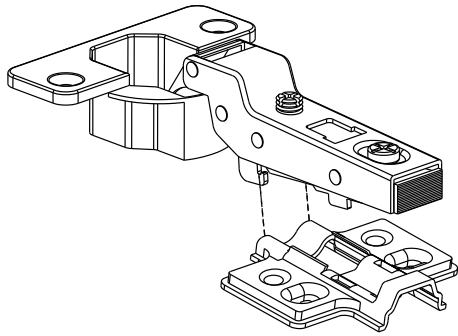


**WARNING:
CHOKING HAZARD**

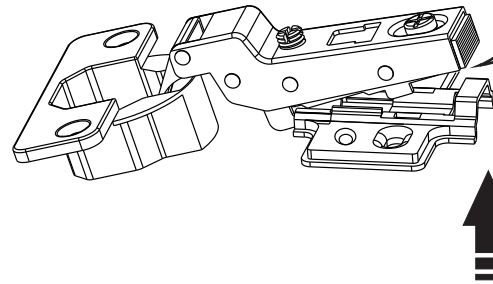
Contains small parts - choking hazard.
Adult supervision is required during assembly.
Not suitable for children under 3 years of age.

01)

If the hinge (F10) is detached, attach it to the hinge plate by aligning and pushing it in until it clicks securely into place.



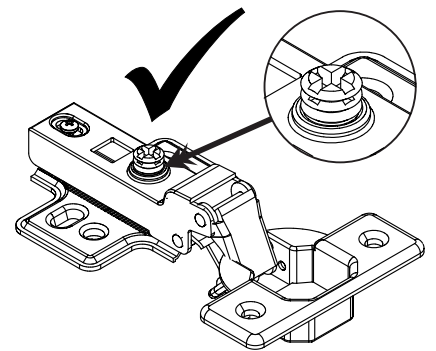
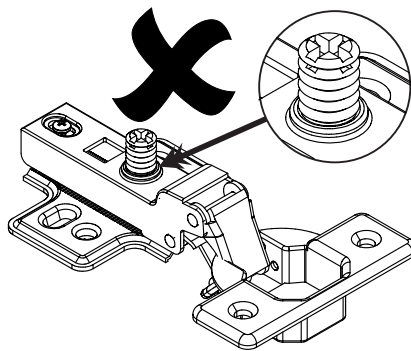
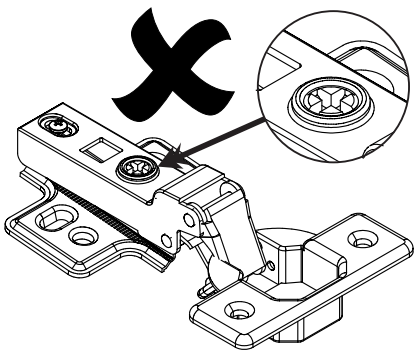
F10



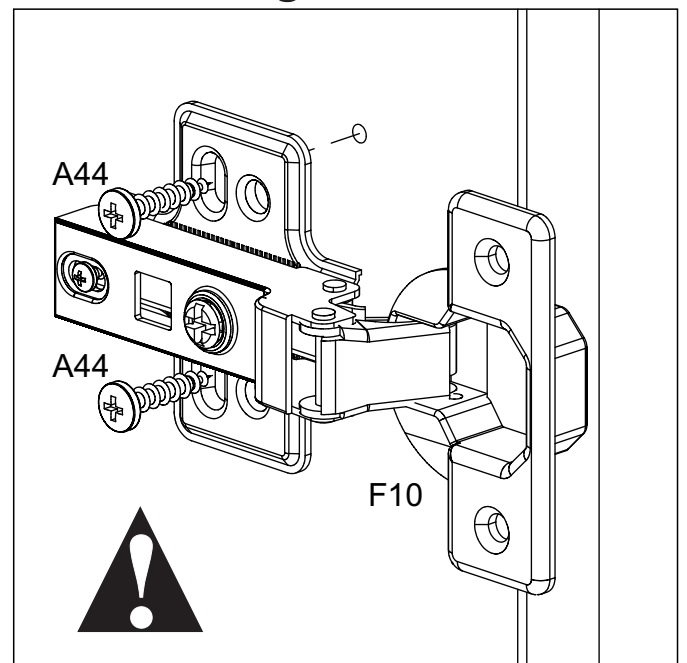
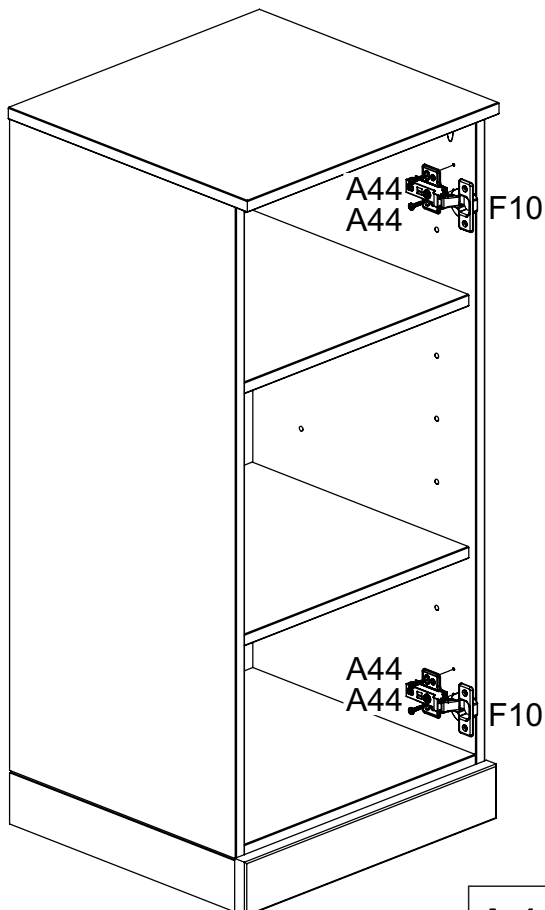
click!



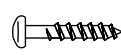
Set the adjustment screw to the midpoint height position before installing the hinges



02) Hinge Installation – Right-Side Door Mounting



A44



3,5x14

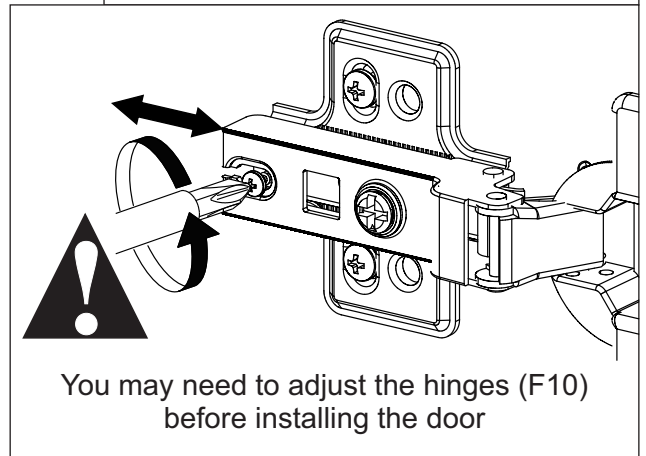
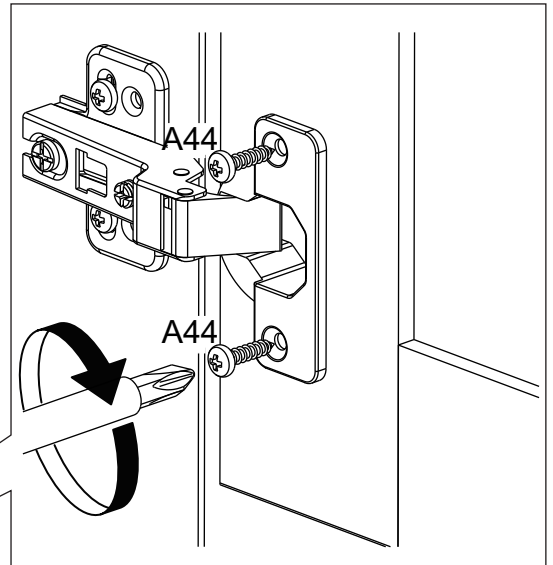
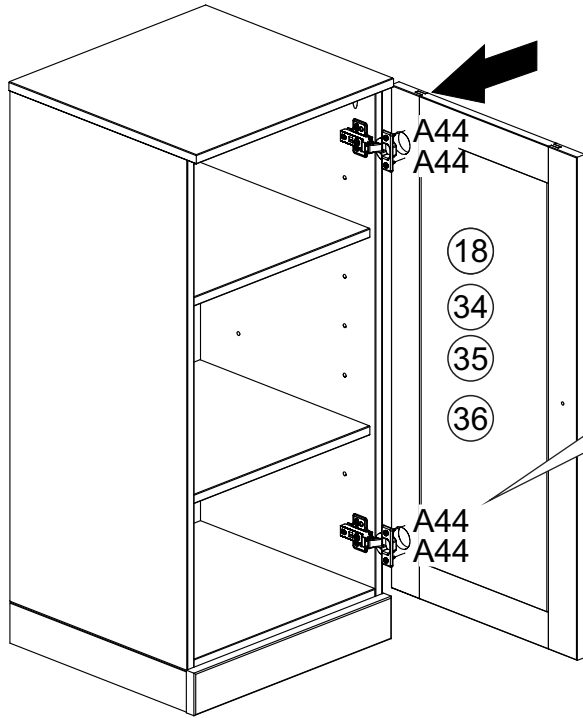
04

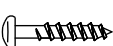
F10



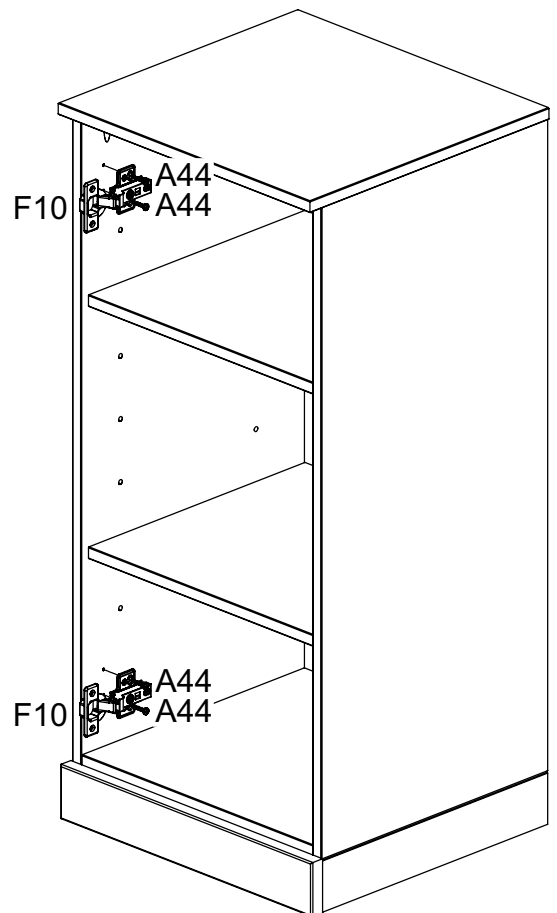
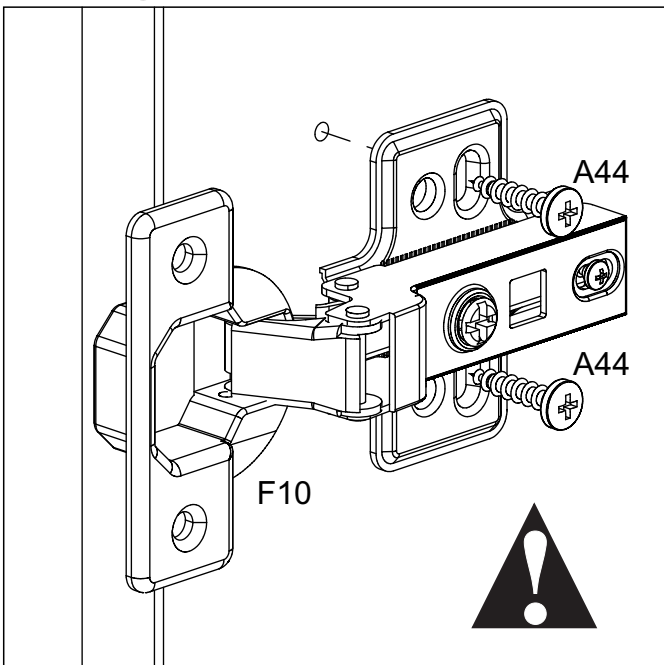
02



03) Installing the Door on the Right Side



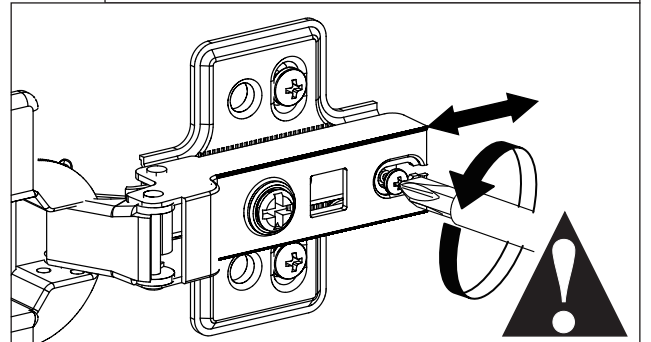
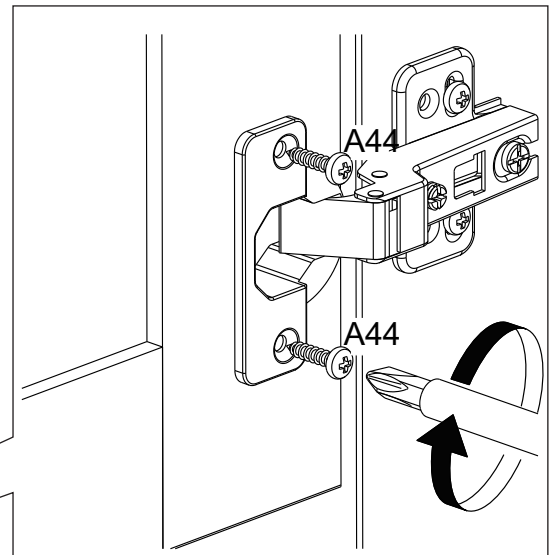
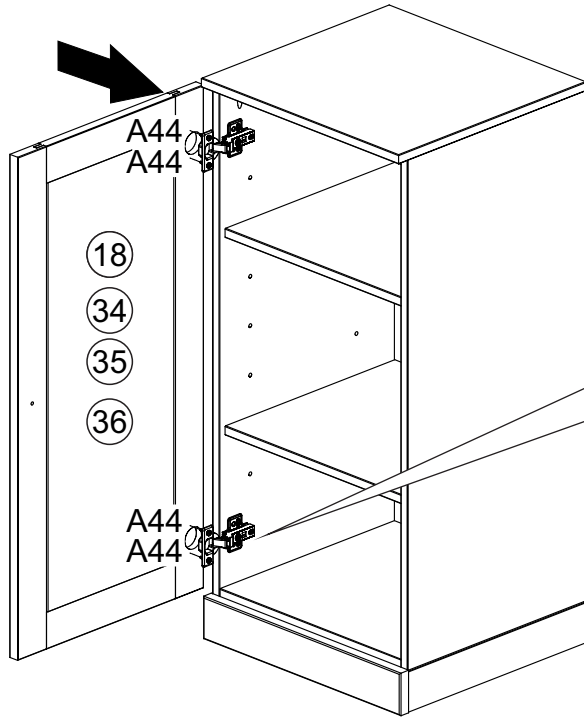
A44	 <small>3,5x14</small>	04
-----	--	----

04) Hinge Installation – Left-Side Door Mounting



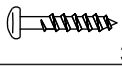
A44	 <small>3,5x14</small>	04	F10		02
-----	--	----	-----	---	----

05) Installing the Door on the Left Side



You may need to adjust the hinges (F10) before installing the door

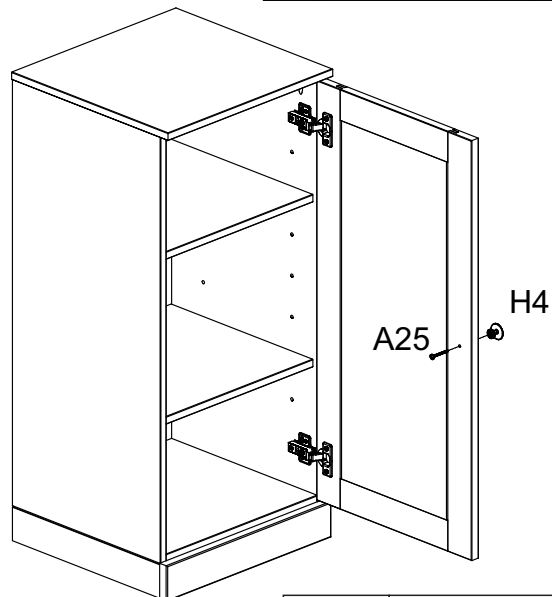
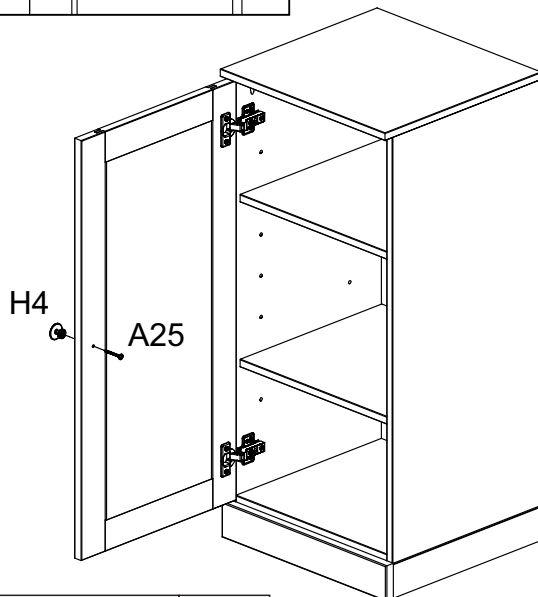
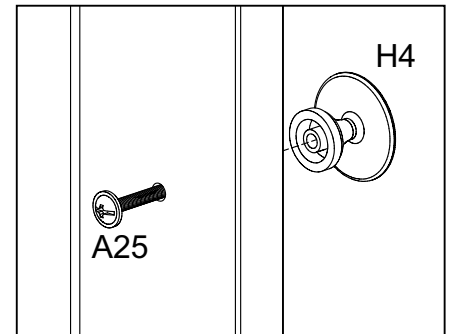
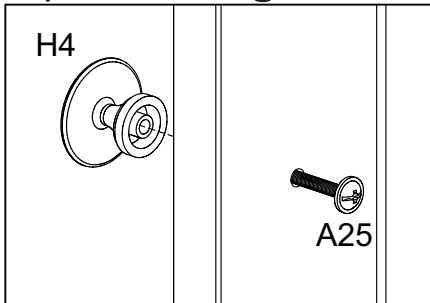
A44



3,5x14

04

06) Attaching the Pull to the Door



A25



M4x25

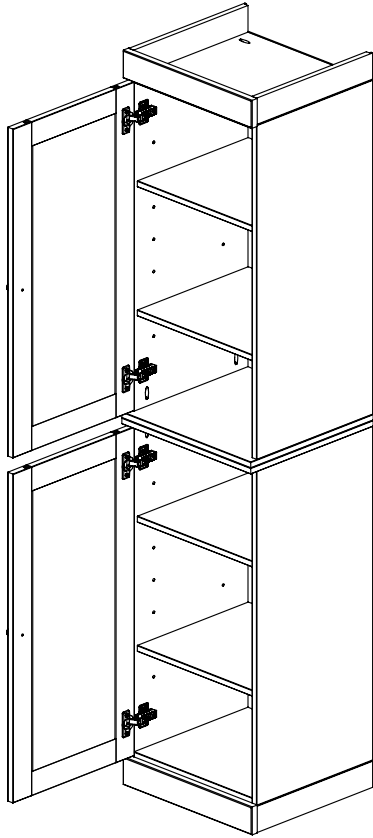
01

H4

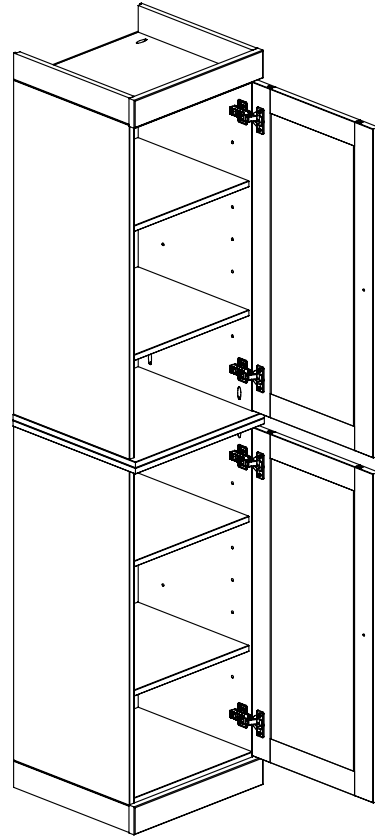


01

07) Top and Bottom Door Installation (Requires purchase of two cabinets)

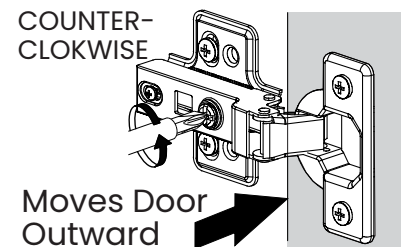
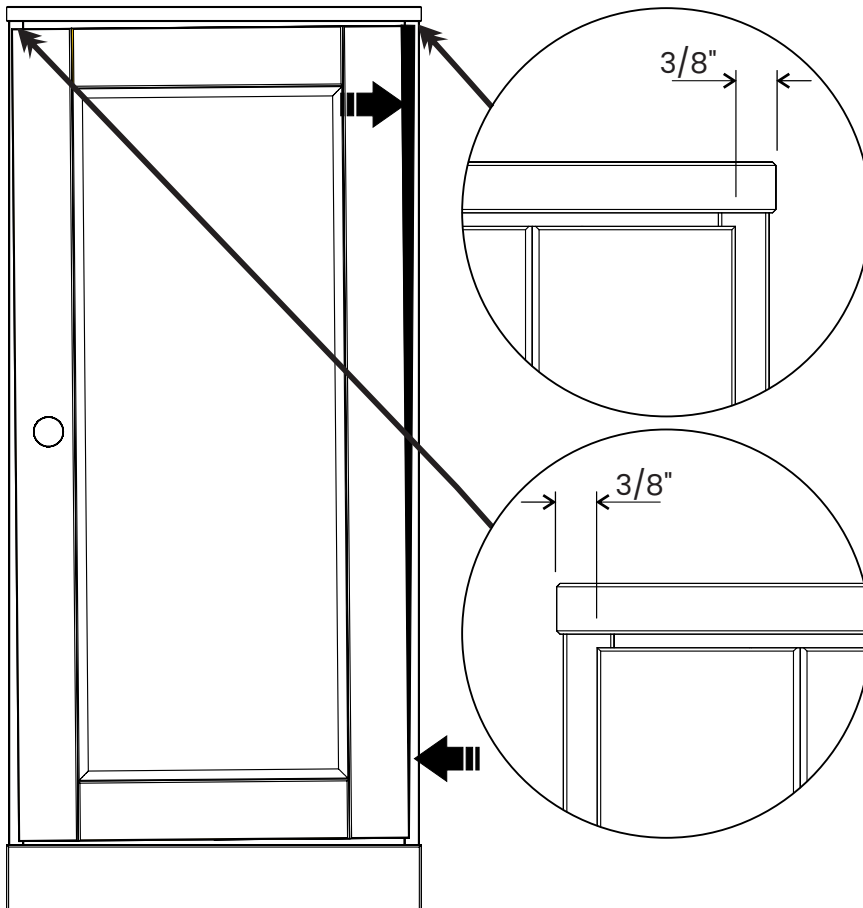


Doors installed on the leftside

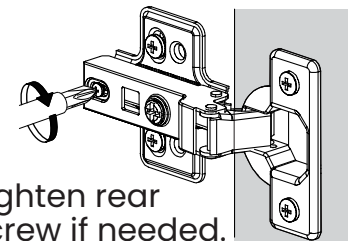


Doors installed on the right side

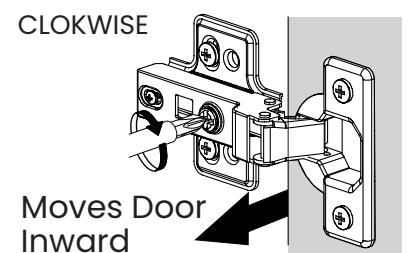
08) Adjusting Misaligned Doors



Moves Door Outward

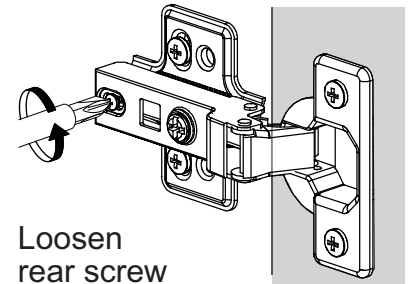
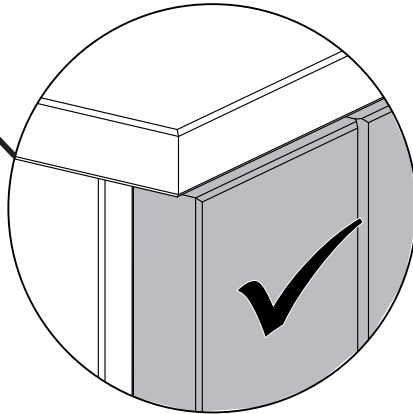
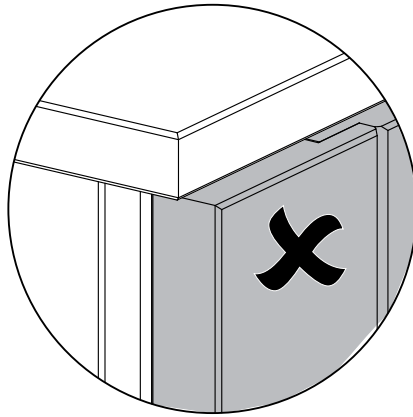
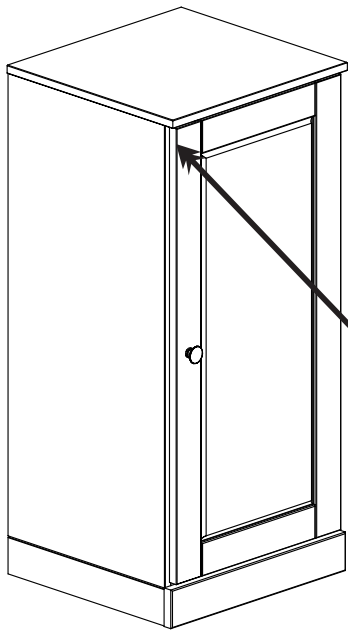


Tighten rear screw if needed.

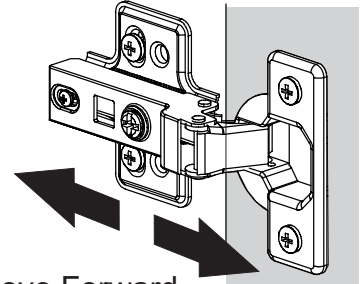


Moves Door Inward

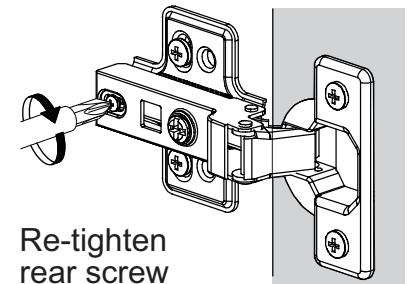
09) Aligning Doors with Side Panels



Loosen rear screw

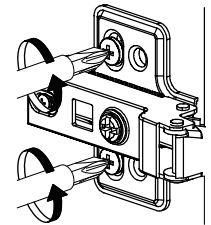
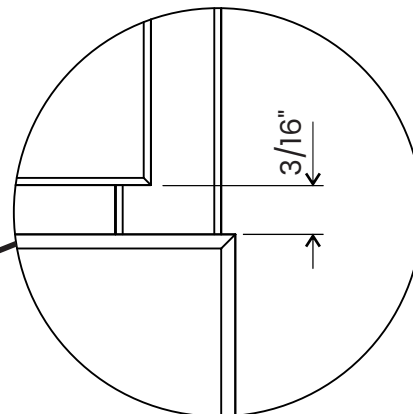
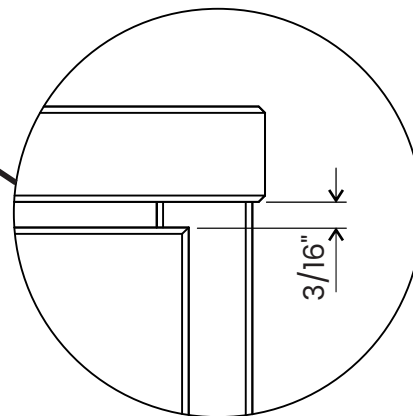
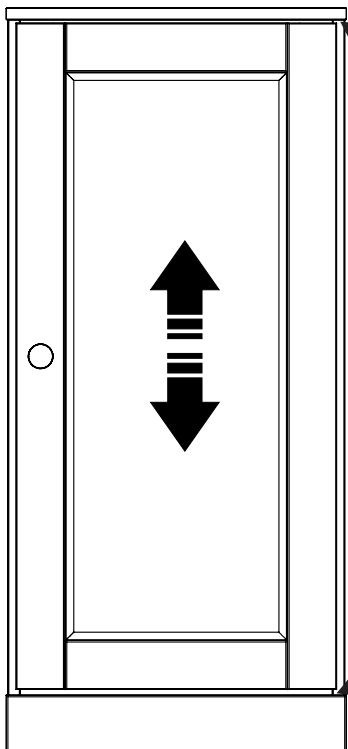


Move Forward or Backward

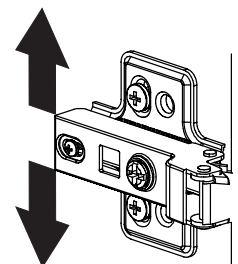


Re-tighten rear screw

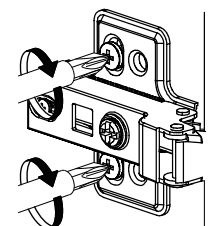
10) Aligning Doors with the Top



Loosen top and bottom screw on all hinges.



Adjust Height: Move Up or Down



Re-tighten screws on all hinges.