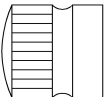
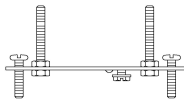
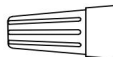

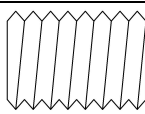


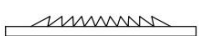
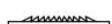
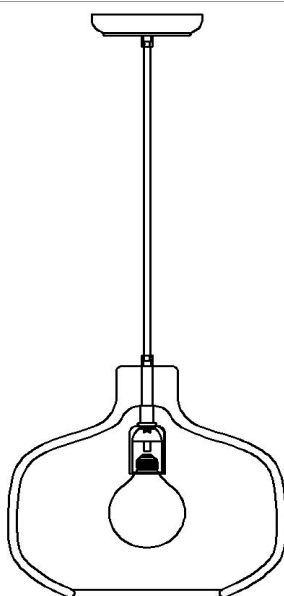


# Assembly Instructions

56004246

## Parts and Tools

<b>A</b>	Screw		X 2	<p><b>Before beginning</b></p> <ol style="list-style-type: none"> <li>1) Check and open the numbered packaged bags.</li> <li>2) Read this Assembly Instructions from beginning to end before starting to assemble.</li> <li>3) Take an inventory of the required parts to ensure all are available.</li> <li>4) Assemble the separated parts according to the illustration with the providing tools, <b>chandelier comes pre-assembled, only hanging and wiring assembly needed.</b></li> <li>5) To prevent accidental choking hazards, keep all packing materials away from small children.</li> <li>6) Only tighten hardware until ALL hardware are fully engaged on their locations. Overtighten bolts will damage the bolt threads.</li> <li>7) Use only factory provided hardware to assemble. Unapproved hardware can damage product or jeopardize the structural integrity of the product.</li> <li>8) The use of power tool to assemble is not recommended due to high risk of over-torque, which can damage the product.</li> </ol> <p><b>WE RECOMMEND INSTALLATION OF THIS LIGHTING FIXTURE BE DONE BY A LINCENSED ELECTRICIAN.</b></p> <p><b>WARNING***SWITCH OFF THE MAIN ELECTRICAL SUPPLY FROM THE MAIN FUSE BOX/CIRCUIT BREAKER BEFORE INSTALLATION.</b></p> <p><b>*Please make sure power is shut off!*</b></p>
<b>B</b>	Mounting bracket		X 1	
<b>C</b>	Wire Connector		X 3	
<b>D</b>	Canopy		X 1	
<b>E</b>	Side screw		X 1	
<b>Z1</b>	Nut for A (Spare Parts)		X 1	
<b>Z2</b>	Nut for A (Spare Parts)		X 2	
<b>Z3</b>	Non Slip Washer for A (Spare Parts)		X 1	
<b>Z4</b>	Non Slip Washer for A (Spare Parts)		X 2	



ASSEMBLY REQUIRES  
TWO PEOPLE



20 MINUTE  
ASSEMBLY TIME

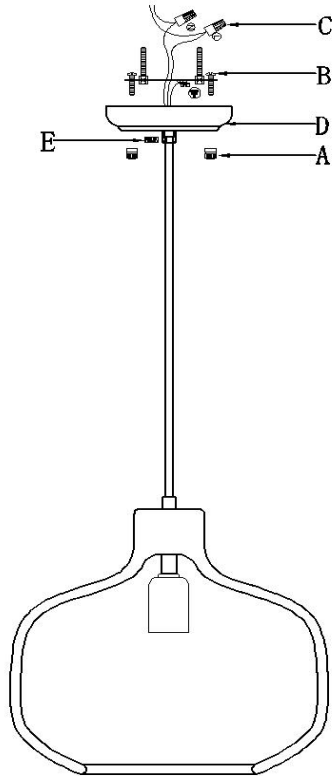


KEEP INSTRUCTIONS  
FOR FUTURE USE

# Assembly Instructions

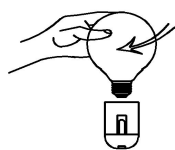
56004246

1

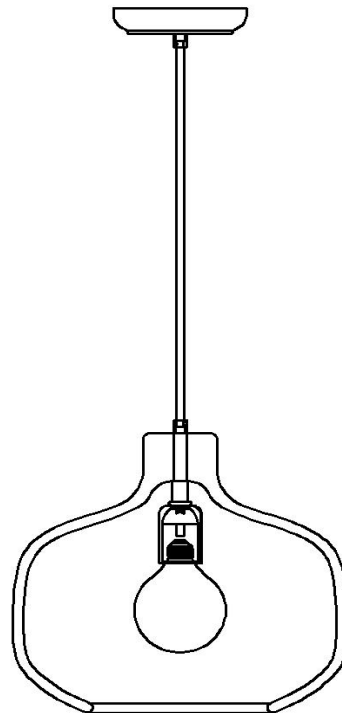


- 1) Remove the mounting bracket (B) from the canopy (D) by loosening the screws (A)
- 2) Adjust the height of the cable and the safety steel wire (E) as needed.
- 3) ENSURE THE ELECTRICITY SUPPLY IS TURNED OFF BEFORE PROCEEDING.
- 4) Affix the mounting bracket (B) on the outlet box .
- 5) Wrap both safety cables with wire connectors (C), push the cable into the outlet box.
- 6) Attach the canopy (D) to the mounting bracket (B) and secure with screws (A).

2



E26 Max 40W



- 1) Install the bulb (Not included), gently hold the bulb firmly and turn clockwise until secured.
  - 2) Once the installation is complete, remember to turn on the power at the fuse or circuit breaker.
- \*\*\*Clean with a dry, soft cloth only, use no harsh abrasives or chemical agents\*\*\*