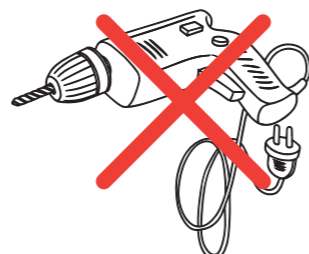
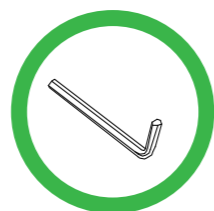


Leave the Power Massage Heated Recliner Chair in a shady outdoor area for 1-2days.



For longer use

Re-tighten the bolts every 6 months using the enclosed Allen key.  
\*Using an electric drill can damage the chair. Please re-tighten the bolts manually.



## Safety Information



Sit in the center of the chair, with your back against the backrest  
Do not sit on the front edge of the chair  
Do not stand on the chair  
Do not use the chair with more than one person  
Do not push the chair around when a person is sitting in it  
Do not push down on the backrest when a person is reclined  
Do not place your entire weight on the backrest

- Avoid exposing the furniture directly to sunlight or to heating and air conditioning outlets.
- Do not place your upholstery furniture too close to windows, radiators, or vents, and be sure to use window treatments to block the sun's rays.
- Do not use rough cleaning tools or corrosive detergents to clean the sofa.
- Some parts are heavy and/or have sharp edges; install them carefully to avoid injury to yourself or others around you.

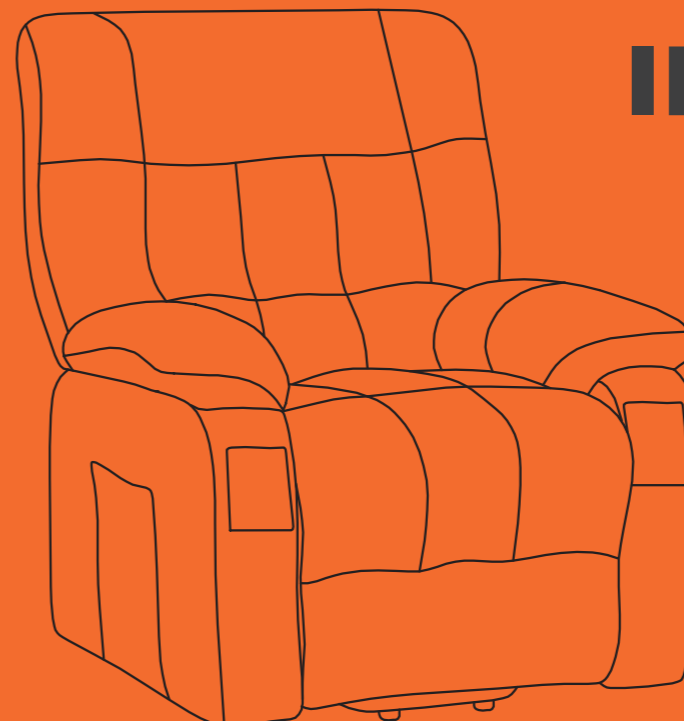
# INSTRUCTION MANUAL

Model: SF-L8270

✉ HJ-Customer-Service@outlook.com  
☎ (909)637-7665 | (909)637-7593

# INSTRUCTION MANUAL

## SF-L8270



✉ HJ-Customer-Service@outlook.com  
☎ (909)637-7665 | (909)637-7593

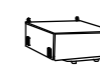
## Package List



(A)\*1 Back Cushion



(B)\*1 Seat Cushion



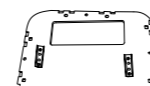
(C)\*1 Seat Frame



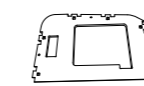
(D)\*1 Left Armrest Cover



(E)\*1 Right Armrest Cover



(F)\*2 Armrest Frame



(G)\*2 Armrest Frame



(H)\*4 Armrest Connector



(I)\*2 Armrest Connector



(J)\*1 Back Frame

## Hardware



① \*1 Allen Key  
M6



② \*6 Bolts  
M8x130mm



③ \*6 washers  
8x30x2mm



④ \*1 Gloves

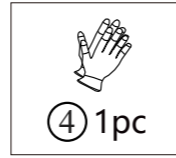


⑤ \*1 Adapter



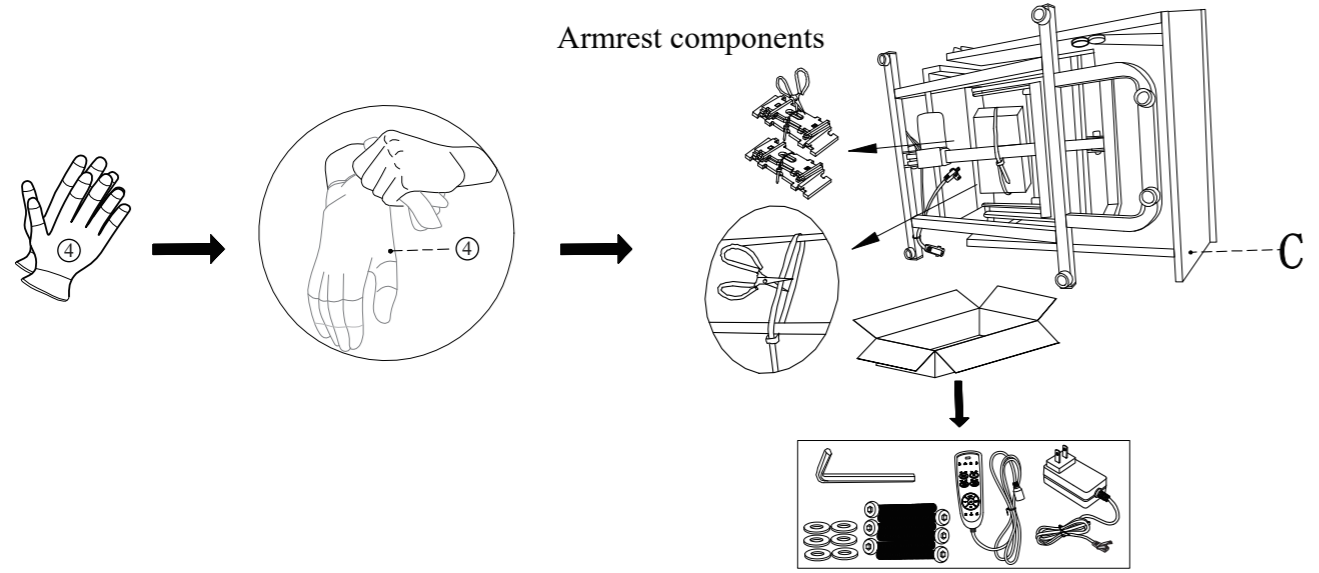
⑥ \*1 Vibration and Heating Remote Control

# Assembly Instruction

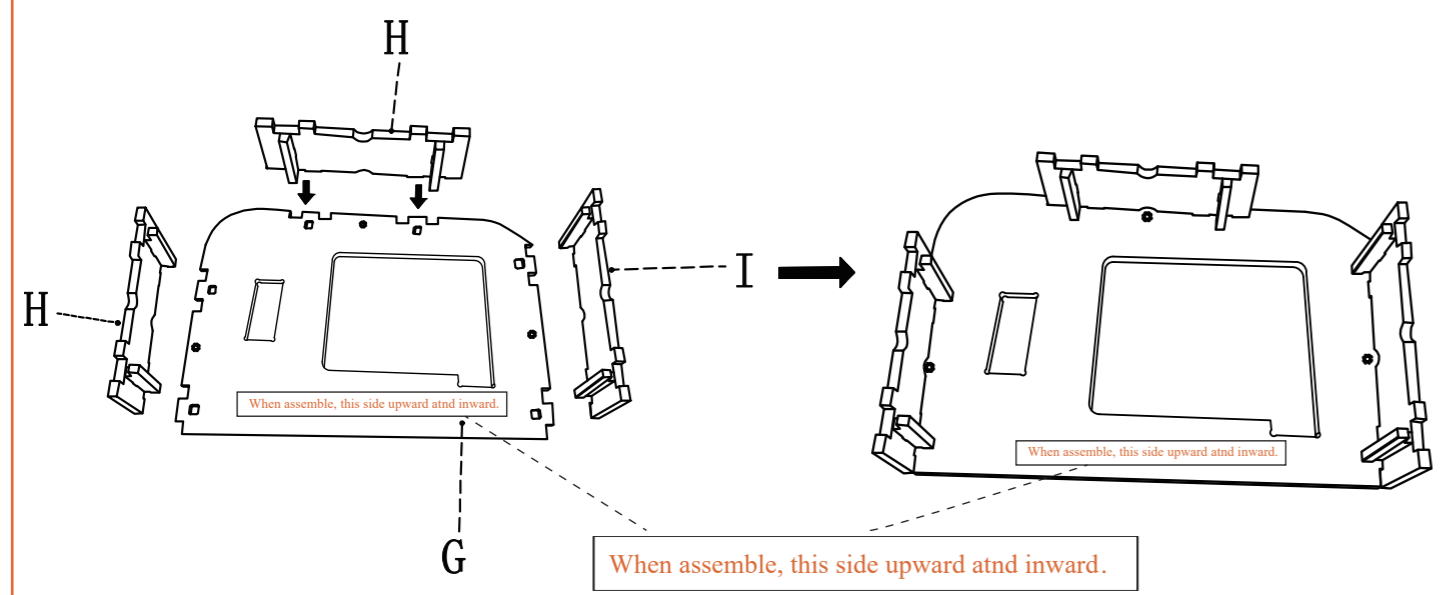


④ 1pc

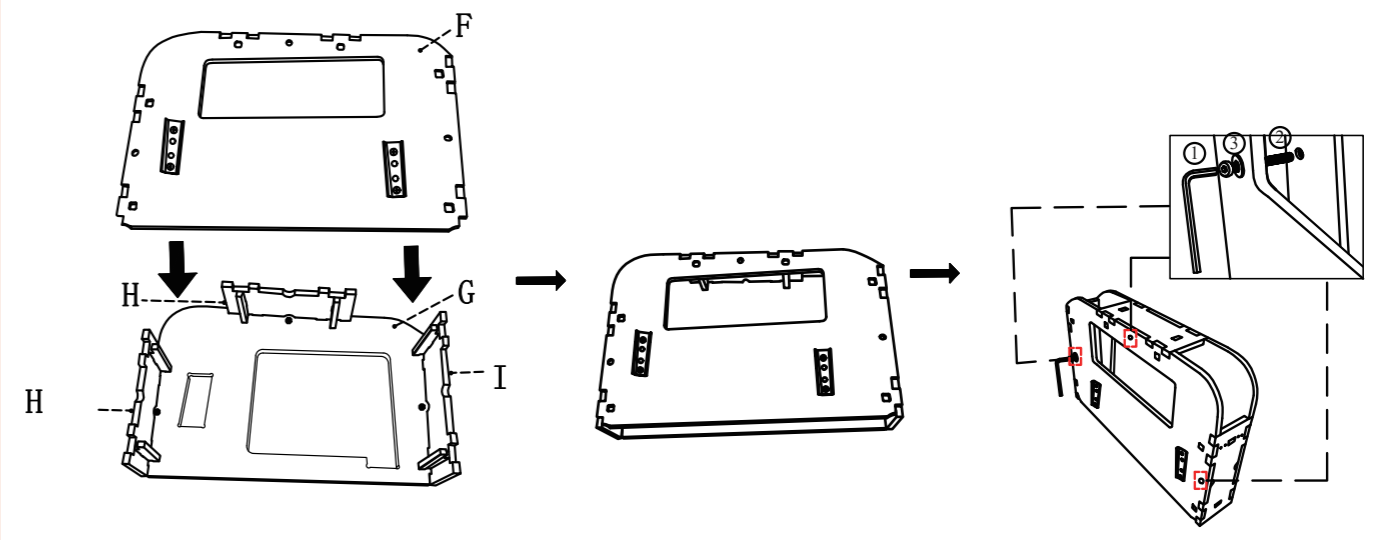
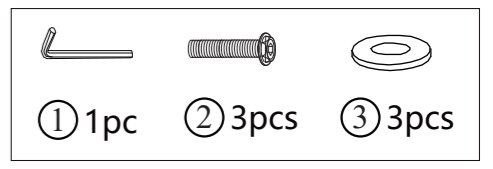
Armrest components



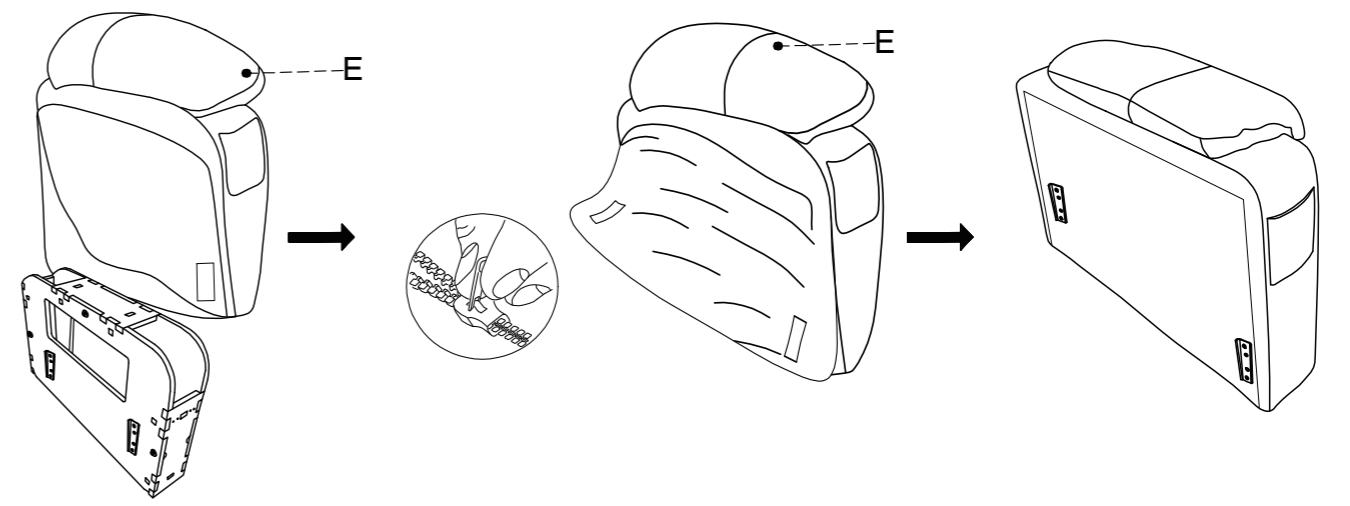
**1** Put on gloves ④ and remove the parts inside the bottom of the seat frame ( C ).



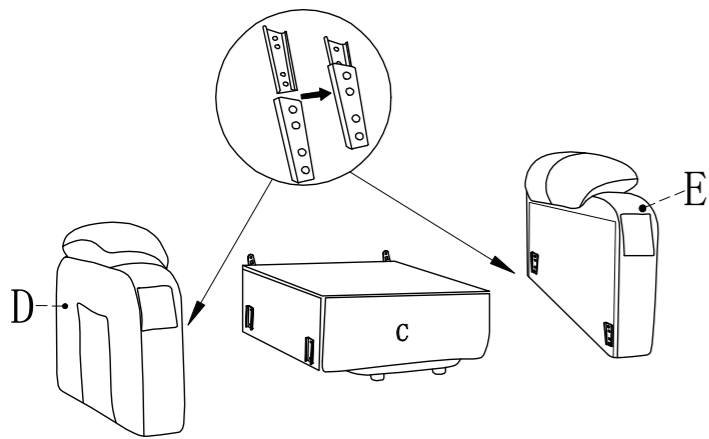
**2** Attach two armrest connectors ( H ) & one armrest connector ( I ) to armrest fame ( G ).



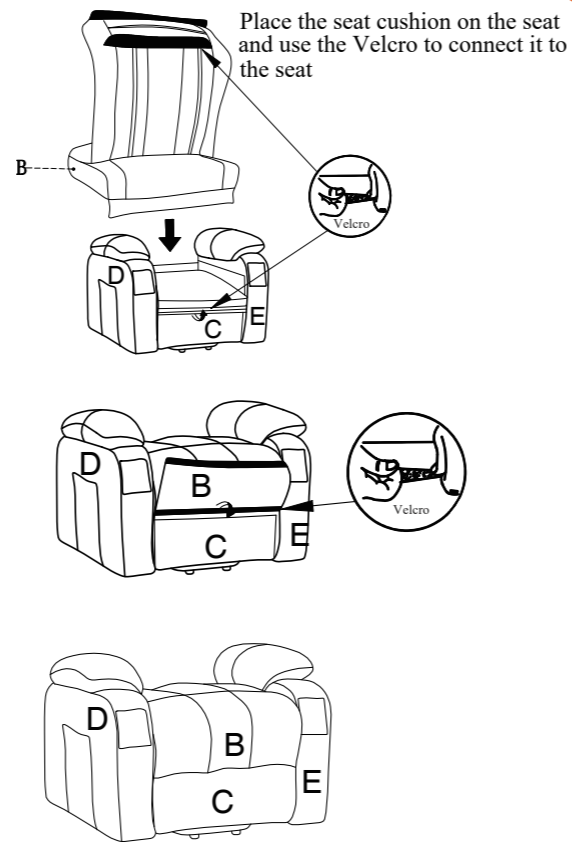
**3** Attach the armrest frame ( F ) to the armrest connectors as shown. Then, position the assembled armrest frame upright and fasten it using bolts ② and washers ③ with the Allen Key ①. Attention: Only 3 bolts ②, 3 washers ③, and ① Allen Key are required for single-sided installation.



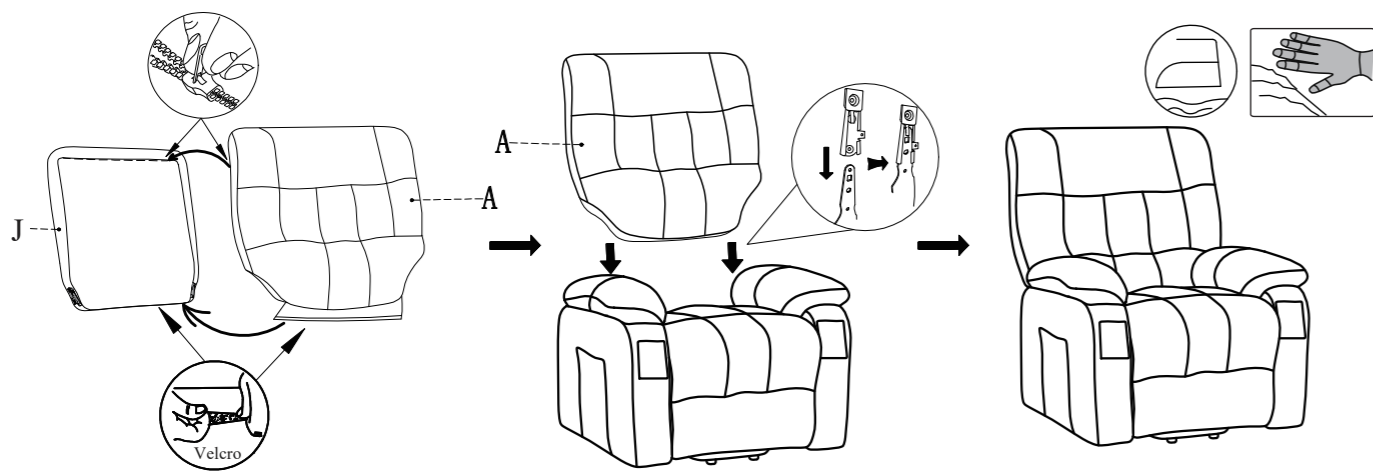
**4** Attach the Right Armrest Cover ( E ) to the assembled armrest frame in Step 3 and zip it up, Repeat the steps 2-4 to assemble the Left Armrest ( D ).



**5** Attach the assembled armrest (D) and (E) to each side of the seat frame (C), and make sure the latches are locked.

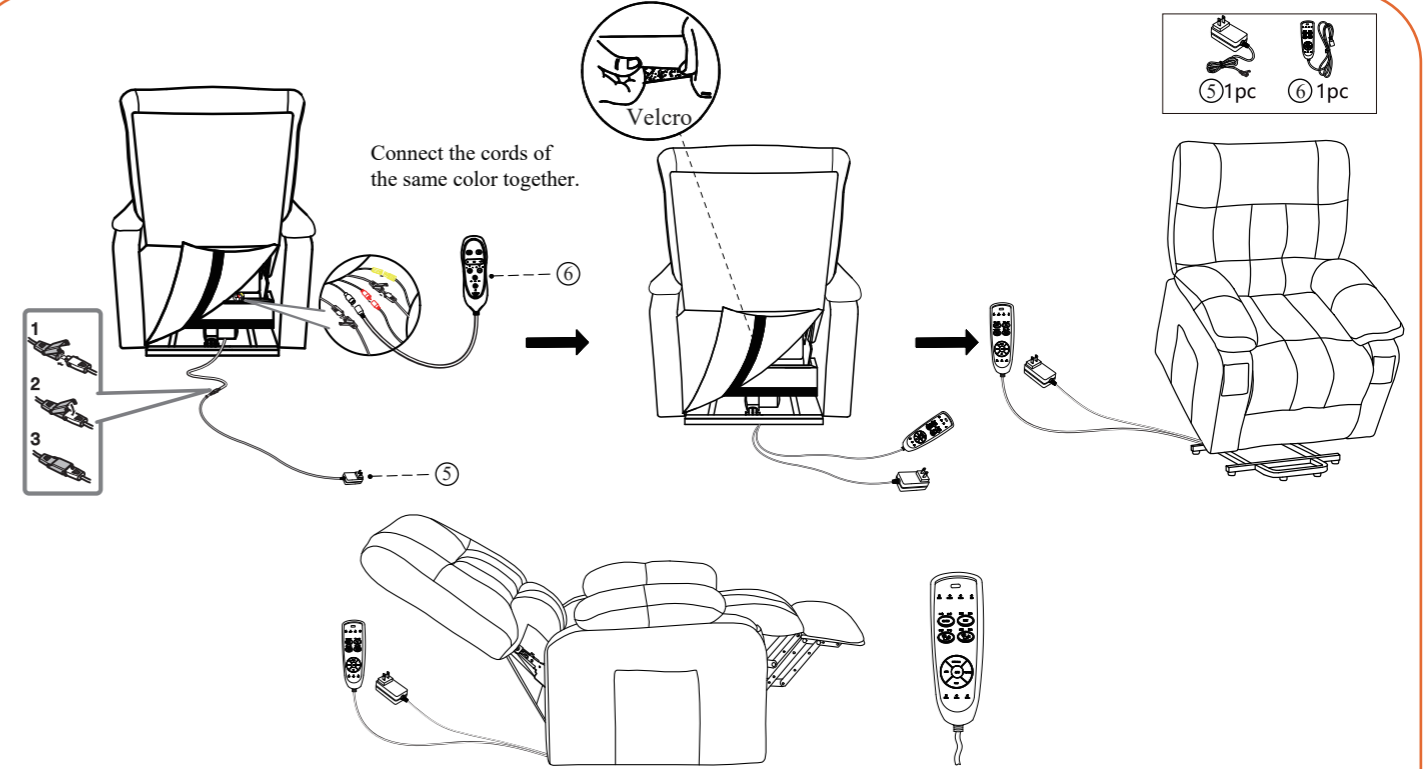


**6** Attach the seat cushion (B) to the seat frame (C), and fasten the Velcro.



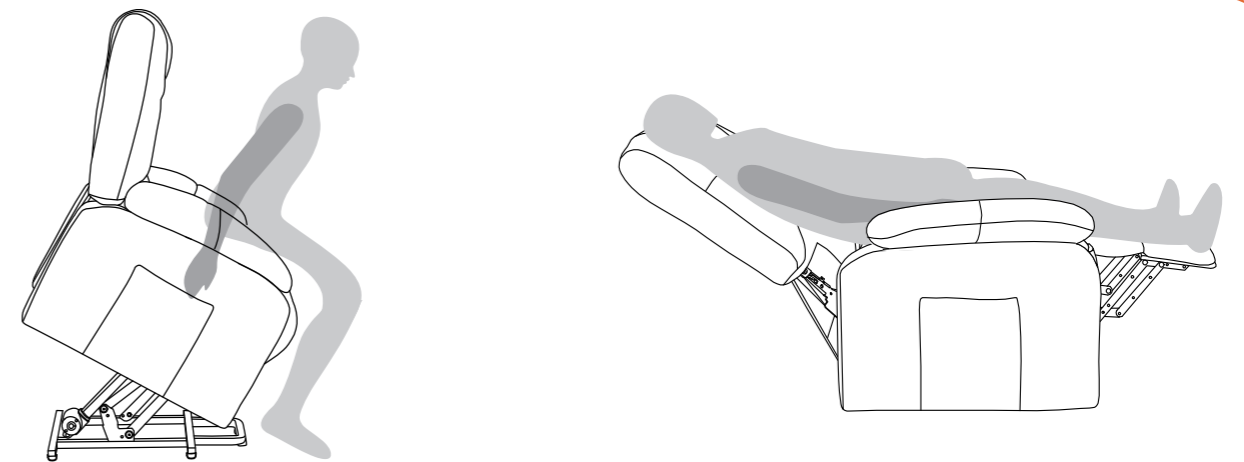
Attach the back cushion (A) to the back frame (J), zip it up and fasten the Velcro. Then attach it to the seat frame as shown.

**7** **NOTE:** After assembly, gently pat or steam iron any indentations (do not exceed 212°F). The chair will return to its original state within 1-2 weeks.



**8** As illustrated, connect the Vibration and Heating Remote Control (6), then connect the Adapter (5), and fasten the Velcro on the back of the chair.

## Instructions For Use



## CAUTION:

\* Lubricate all parts and tighten all bolts every 6 months or whenever needed.  
**NOTE:** Before using the chair, check to ensure that all bolts are fully tightened.

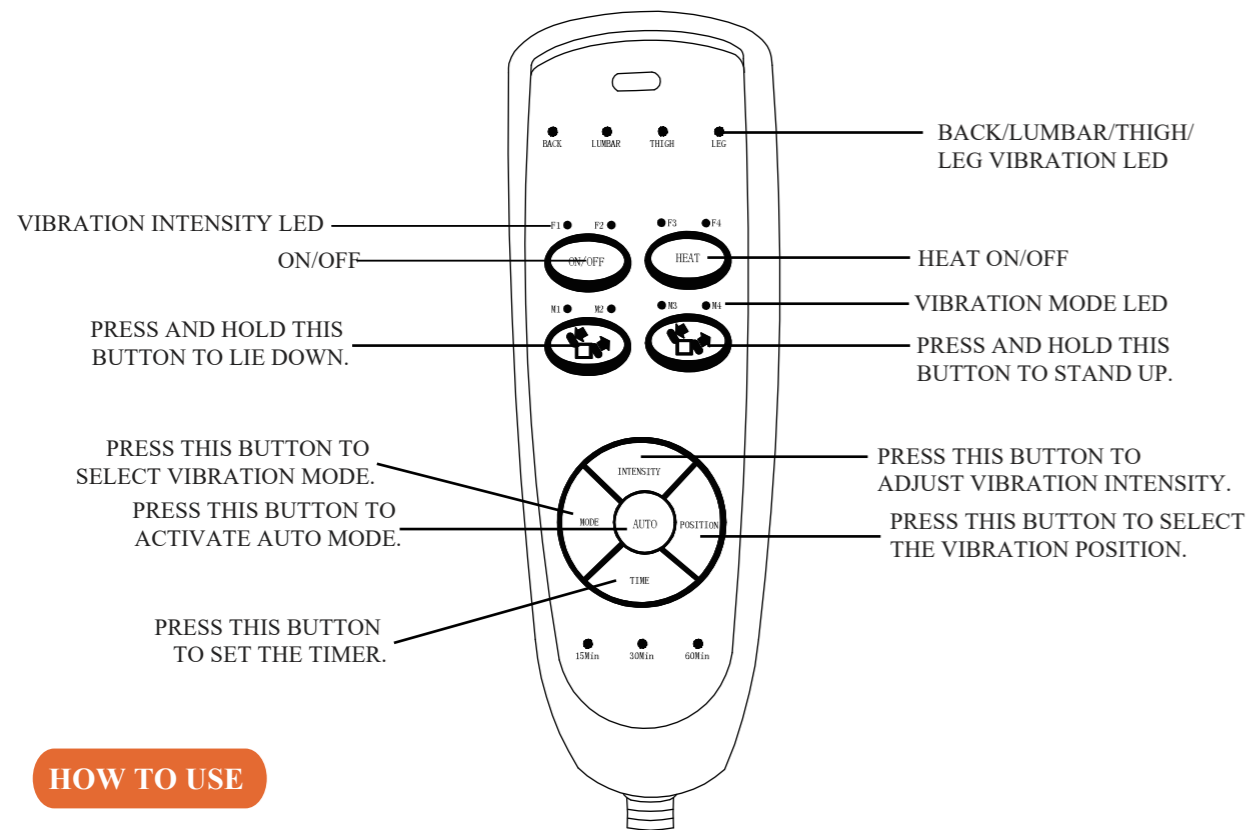
# REMOTE CONTROL

## Power Specifications:

- 1.Voltage: AC110-240V; DC29V
- 2.Current: 2A
- 3.Power: 58W
- 4.Voltage Grade: Class III
- 5.Frequency:50-60Hz

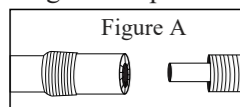
## PRODUCT FEATURE

- Heating function-- Maximum temperature of 65°C.
- 8 Vibration Motors.
- 4 Vibration Modes.
- 4 Vibration intensity levels.
- 4 Vibration areas-- Each vibration zone can be operated independently, and the lumbar and thigh areas can be activated together.
- Timer options-- Set to 15, 30, or 60 minutes for convenience.



## HOW TO USE

1. Plug the adapter into the socket on the back of the massage chair ( see Fig.A), then connect it to a wall outlet.



2. Press the "ON/OFF" button once to turn on the unit , and the LED indicator on the top will light up to show the power is on.
3. Press the "ON/OFF" button, and the four vibration zones will activate simultaneously. To disable the massage function, please press the button again.
4. Press the "POSITION" button, and the vibration will cycle through the following sequence: all areas vibrating together - BACK - LUMBAR - THIGH - LEG - LUMBAR & THIGH - all areas vibrating together. When each area is activated, the corresponding LED indicator will also light up.

5. To select a desired vibration mode, press the "MODE" button. To switch between modes, press the "MODE" button repeatedly until the LED for the desired mode (M1, M2, M3, or M4) lights up.
  - M1:** Intermittent vibration at 8 points simultaneously.
  - M2:** Vibration at the back and lumbar, followed by vibration at the thighs and calves, alternating between the two.
  - M3:** Vibration at each of the four areas, one by one.
  - M4:** The back, lumbar and thighs together, and calves vibrate in a continuous alternating loop, then starting again from the back.
6. To adjust the vibration intensity, press the "INTENSITY" button. The corresponding LED (F1, F2, F3, or F4) will light up to indicate the selected intensity level. The vibration intensity ranges from F1 to F4, with the strength gradually increasing. Please choose the intensity level that you find acceptable.
  - NOTE:** Discontinue use immediately if you feel any discomfort or pain.
  - NOTE:** For your safety, the massage chair features an auto-shut-off function. The vibration will stop automatically after the selected time: 15, 30, or 60 minutes.
7. Do not use for more than 60 minutes at a time.
8. Press the "AUTO" button, and the modes M1 to M4 will cycle once, followed by continuous vibration, then the four modes will cycle again.

## IMPORTANT SAFETY INSTRUCTIONS

The following basic precautions should always be observed when using electrical appliances:

1. This product is for use on a 29V circuit. Make sure to connect the product to an outlet with the same plug configuration.
2. Always unplug the massager after use and before cleaning.
3. If the massager falls into water, do not reach for it. Please unplug it immediately.
4. Do not leave the appliance unattended when it is plugged in. When not in use, unplug it from the outlet before installing or removing parts or accessories.
5. Do not use it outdoors.
6. Do not carry the supplied cord as a handle with the device.
7. Keep the cord away from heated surfaces.
8. Close supervision is required when using this equipment near children or disabled people.
9. Do not operate where aerosol (spray) products are used or oxygen is inhaled in case of danger.
10. To disconnect, press the "ON/OFF" button on the Massage and Heating Remote Control. After ensuring all functions have stopped, unplug the massage chair.
11. When using the chair, keep the cord away from heat-generating surfaces.
12. Use this equipment for the purposes described in this manual. Do not use accessories not supplied with this equipment.

## HEALTH CAUTION

- If you have any concerns regarding your health, consult your doctor before using this product.
- Individuals with pacemakers should not use this product.
- If you experience pain in a muscle or joint for a prolonged period, discontinue use and consult your doctor. Persistent pain could be a symptom of a more serious condition.

## MAINTENANCE INSTRUCTIONS

### TO STORE:

Place the unit in its box or in a safe, dry, and cool place. Avoid contact with sharp edges or pointed objects that might cut or puncture the fabric. Do not wrap the power cord around the unit.

### TO CLEAN:

- To clean the unit, make sure the massager is unplugged. Allow the unit to cool, then wipe it down with a damp, clean cloth. Do not use any strong chemical cleaners.
- Do not submerge the unit in any liquid. detergent or suds. Clean with a dry cloth.
- Do not use abrasive cleaners, brushes, gasoline, kerosene, or glass /furniture polish. water hotter than 212°F to clean the unit.