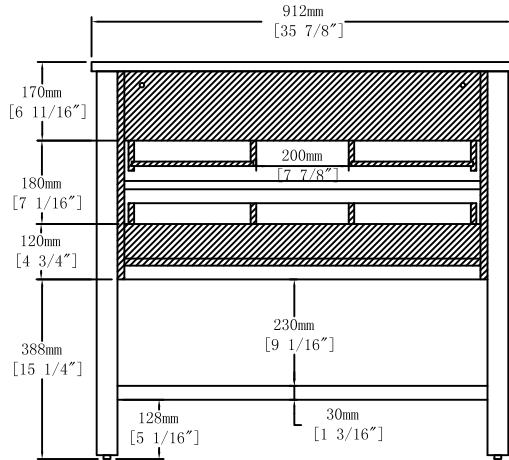


Front View



Back View