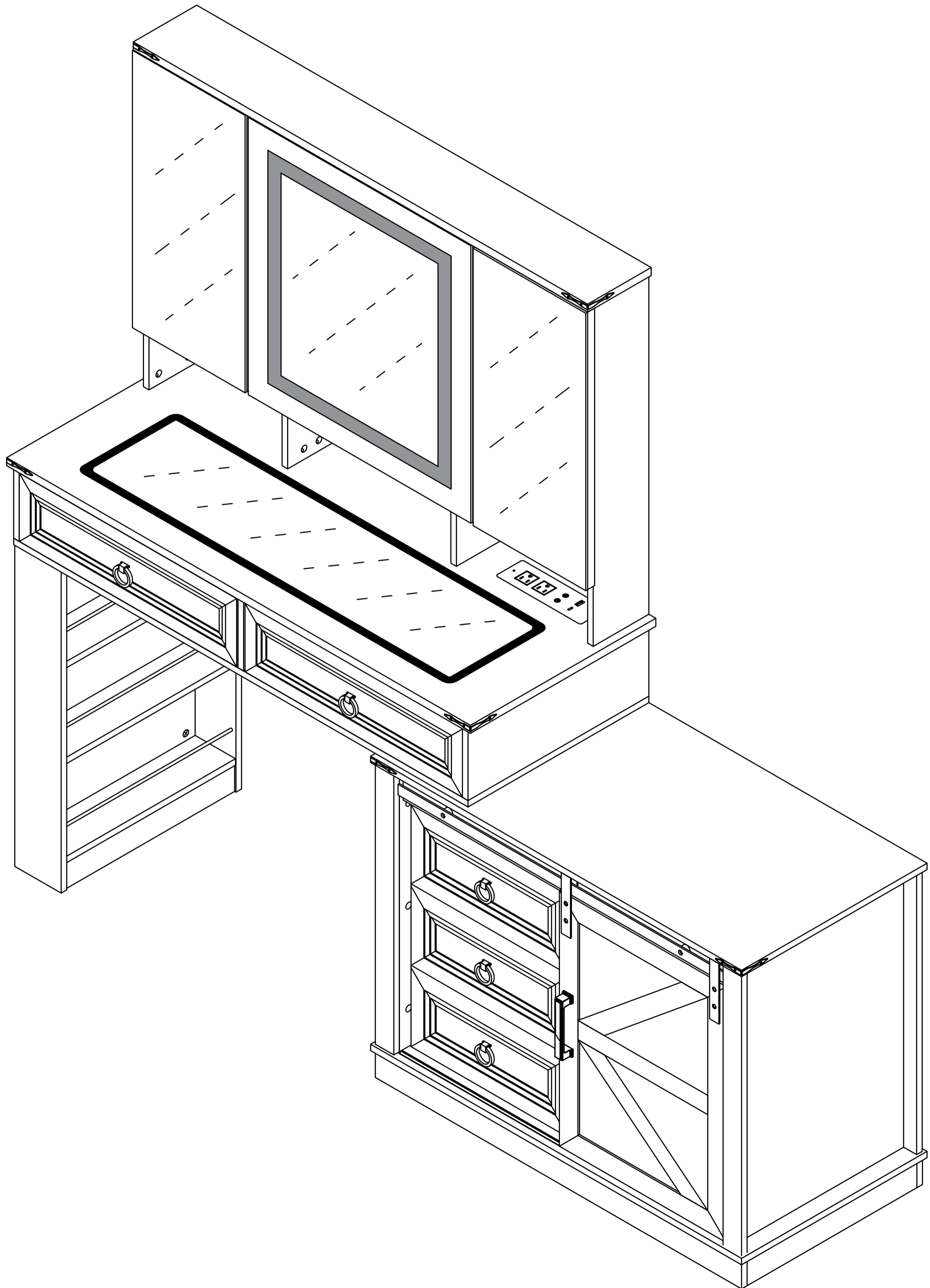
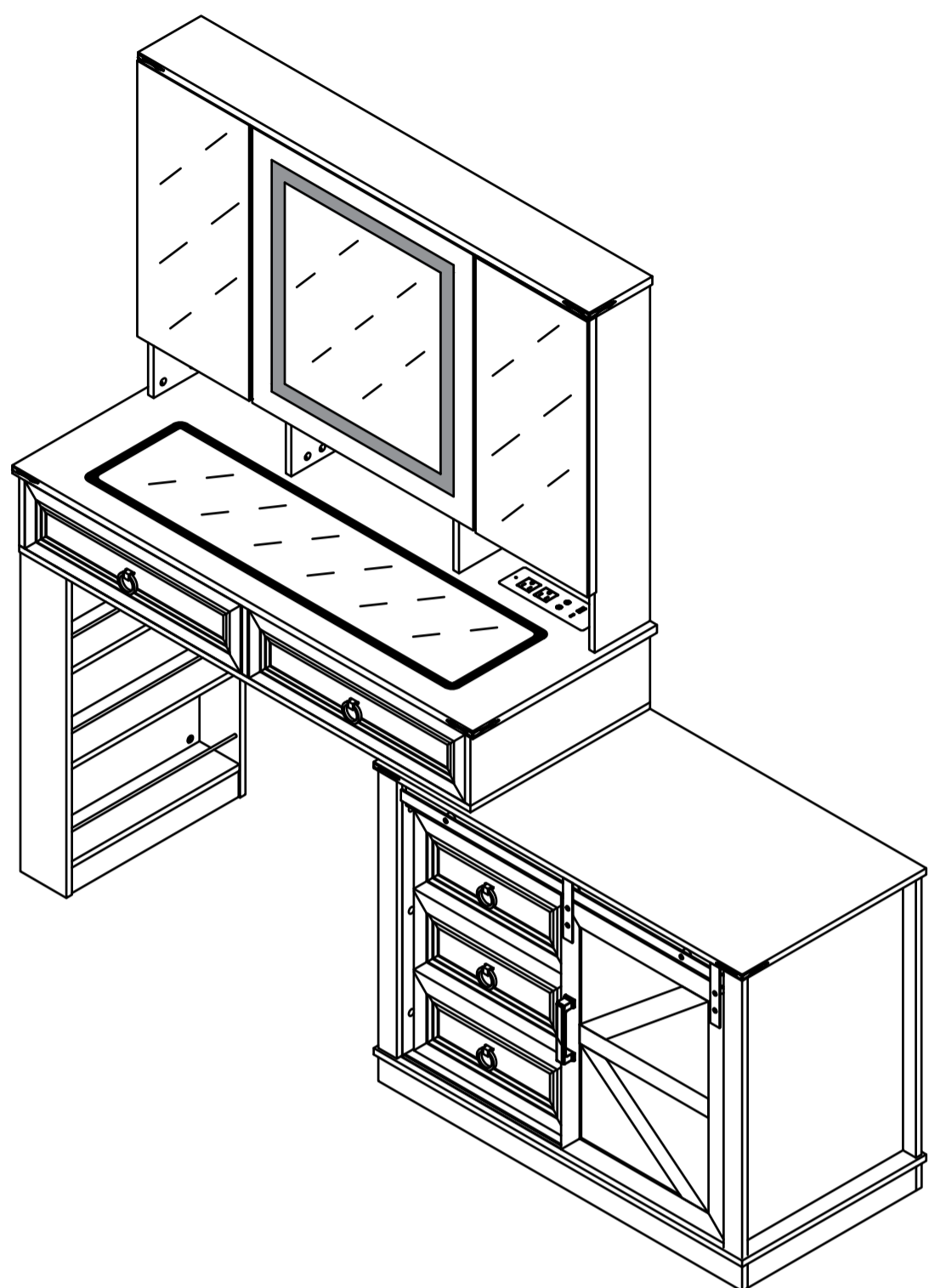


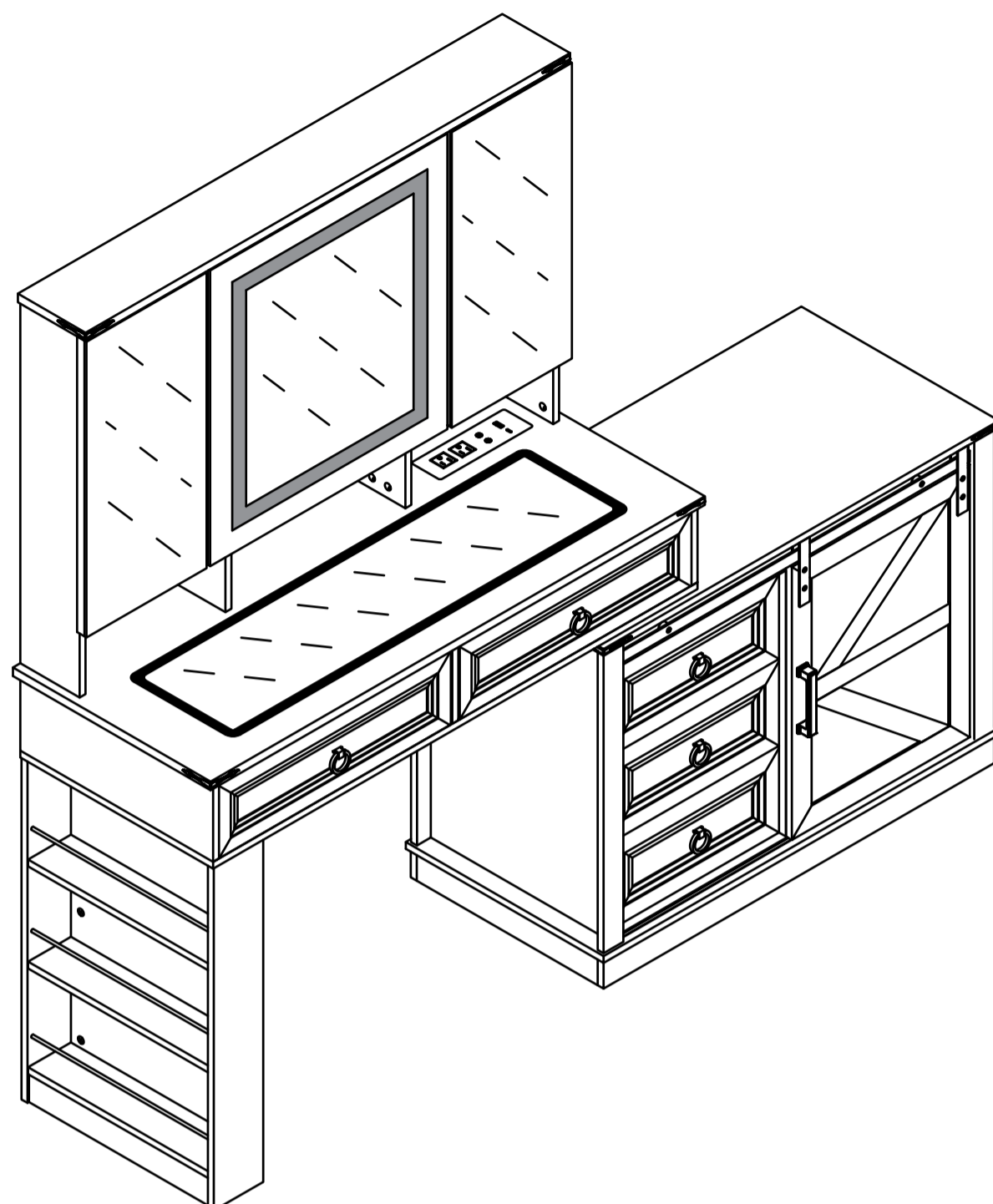
Product Installation Instructions



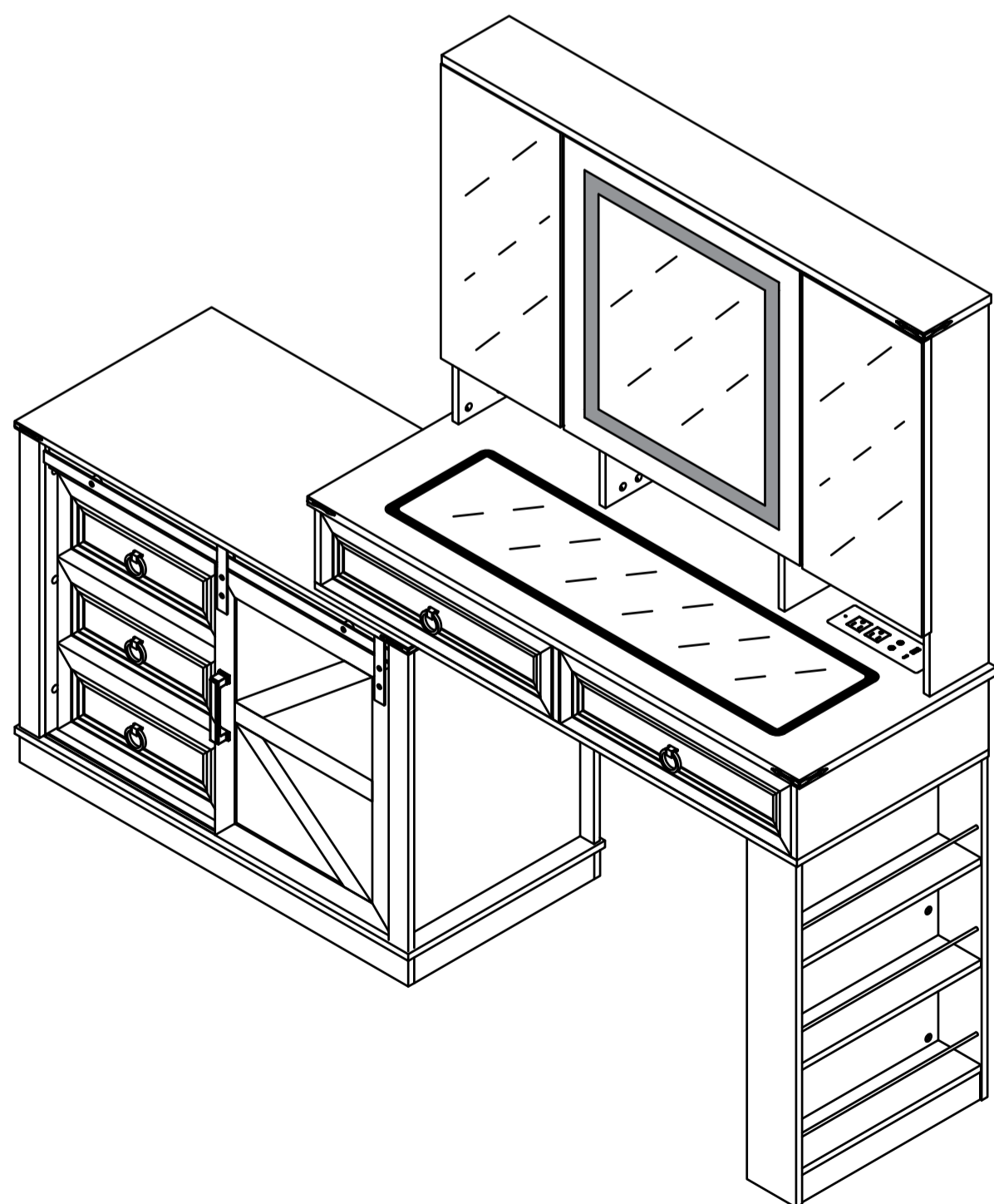
Effect 1



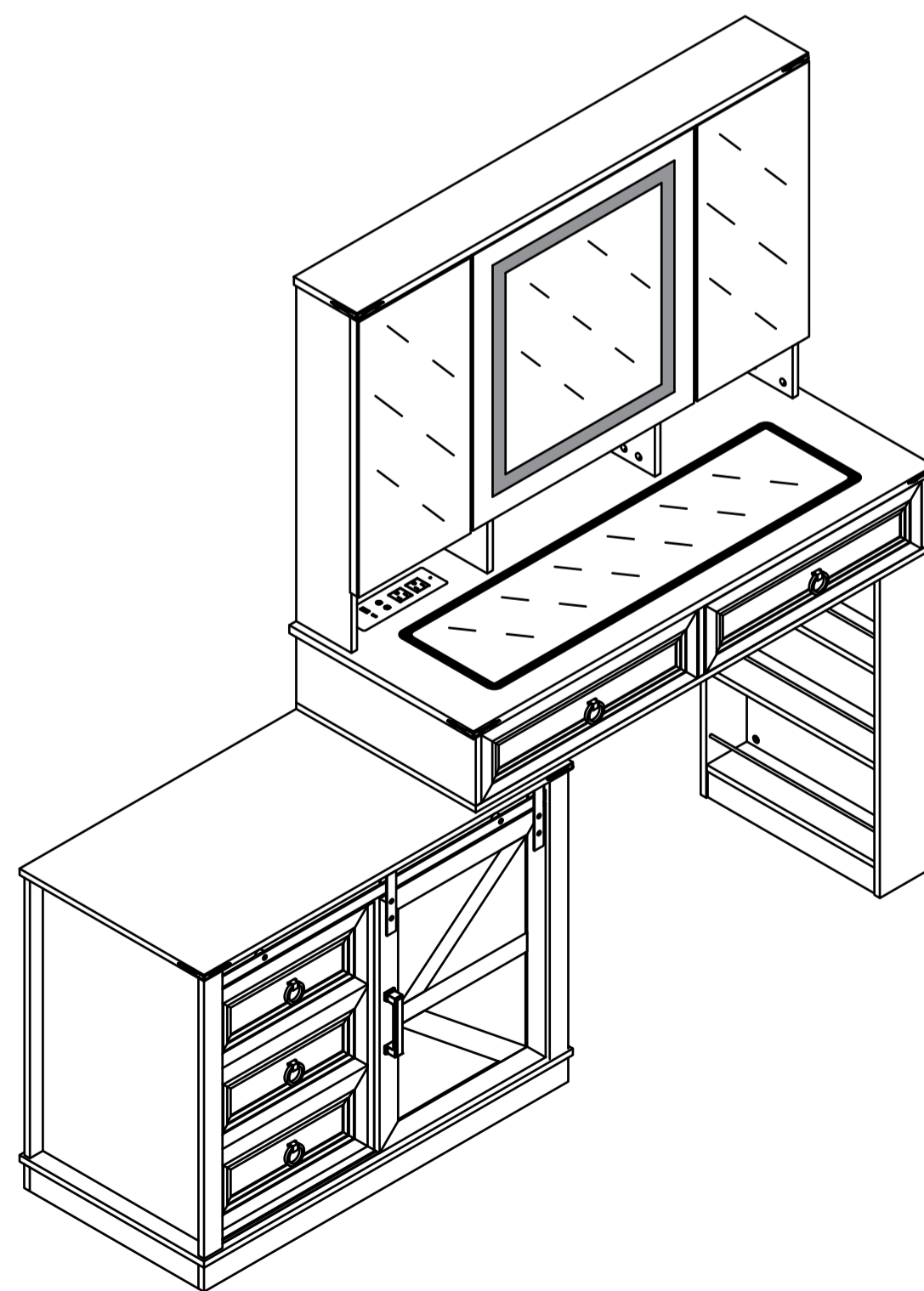
Effect 2



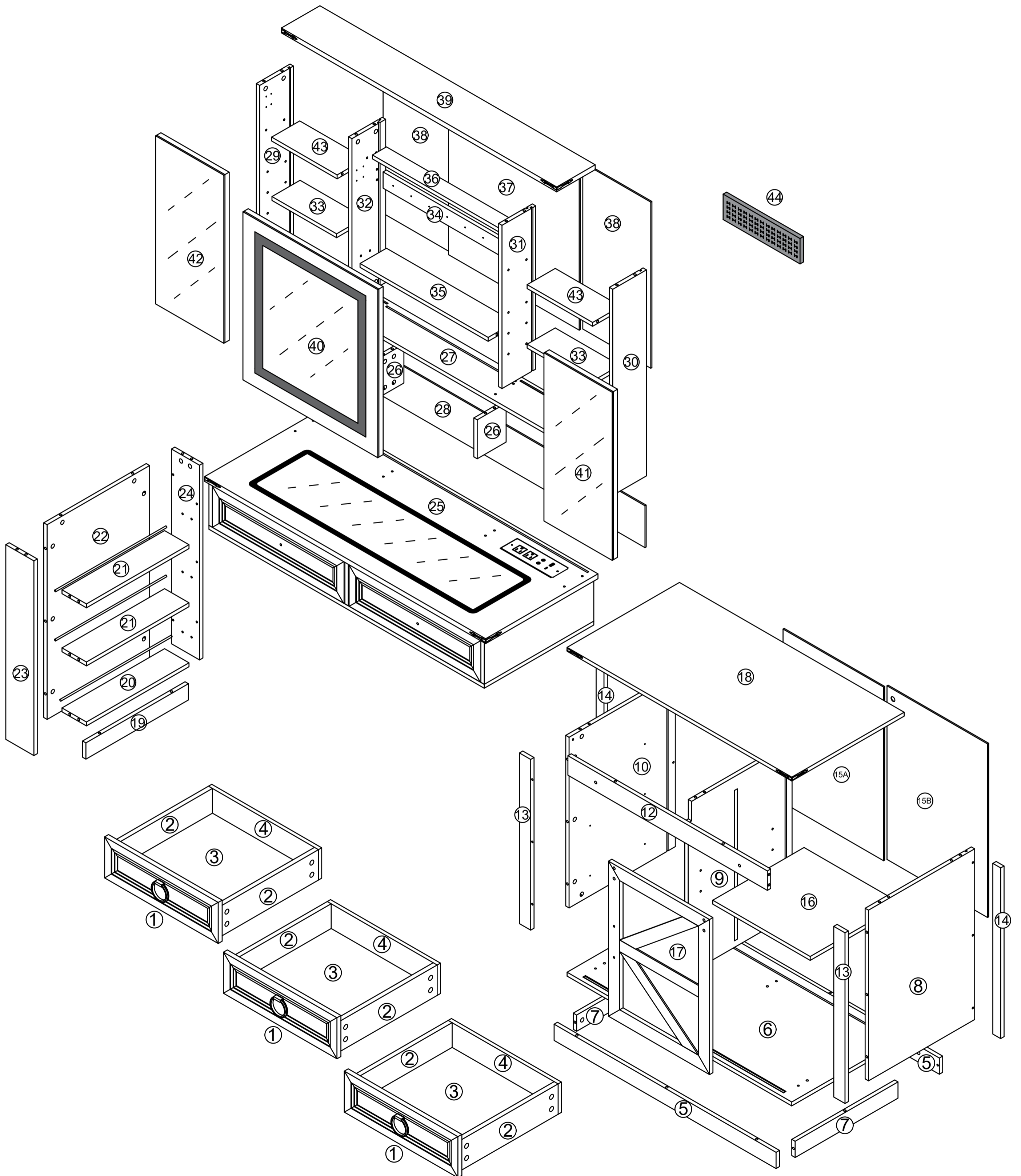
Effect 3

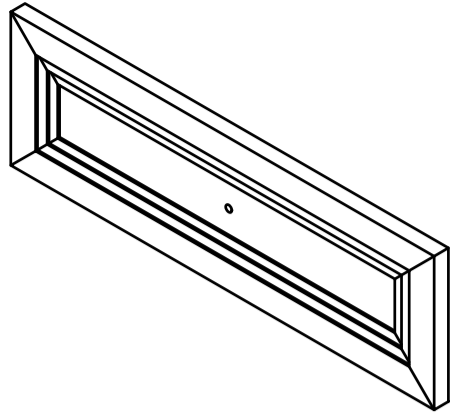


Effect 4

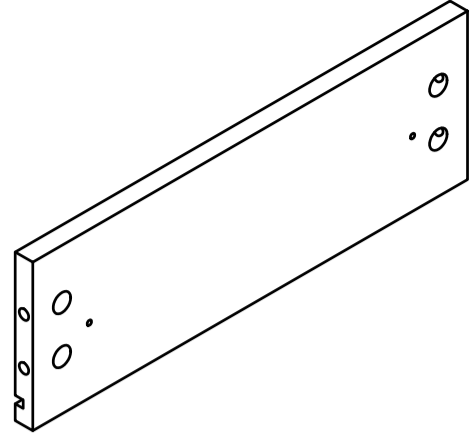


Product structure decomposition

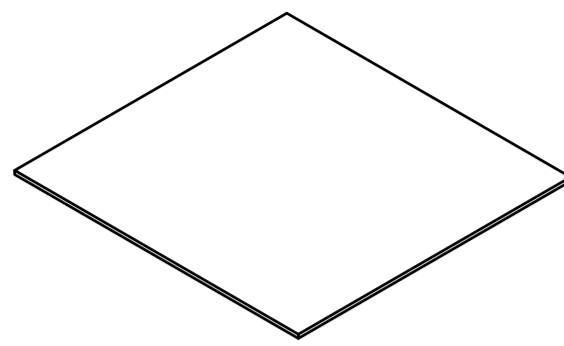




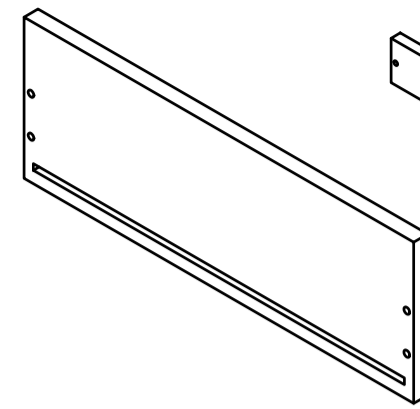
1x3



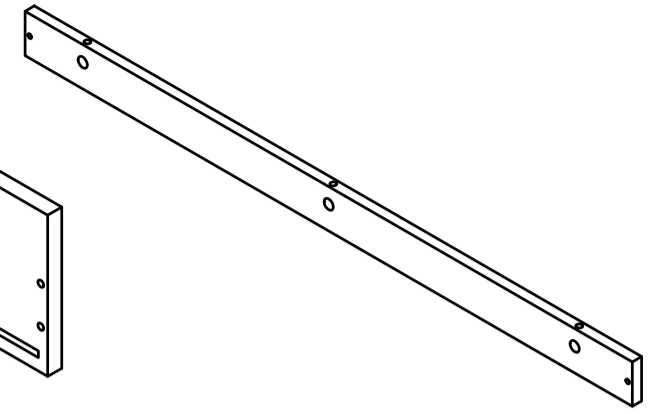
2x6



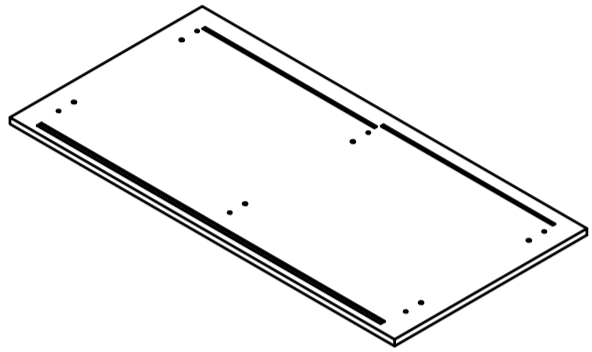
3x3



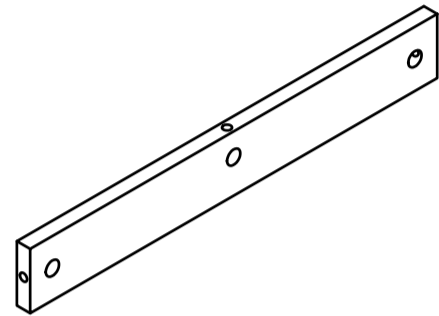
4x3



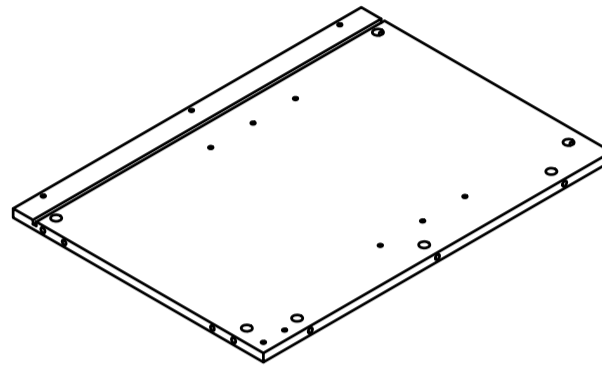
5x2



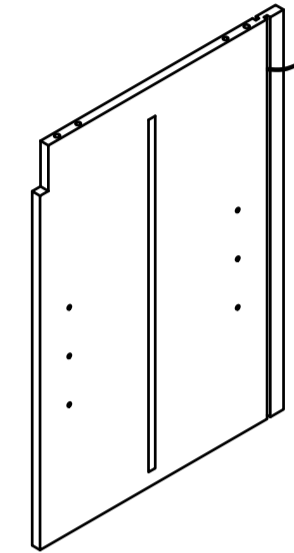
6x1



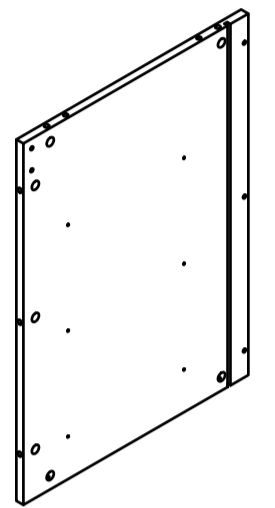
7x2



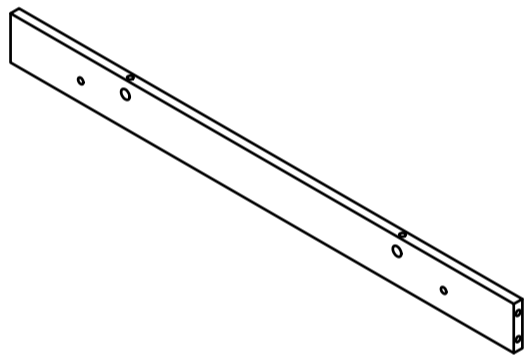
8x1



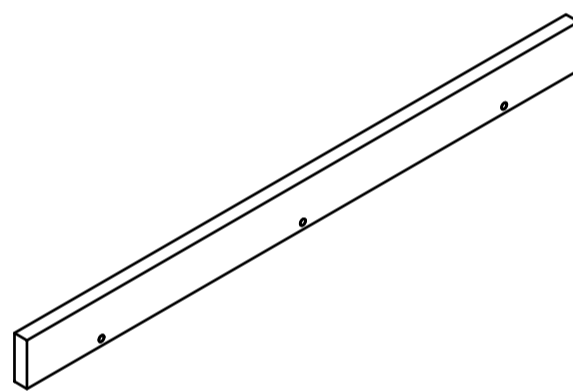
9x1



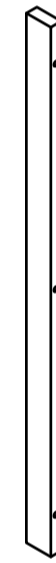
10x1



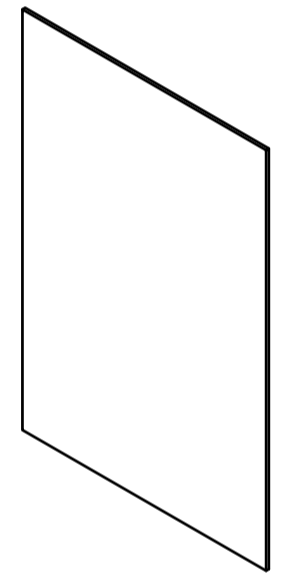
12x1



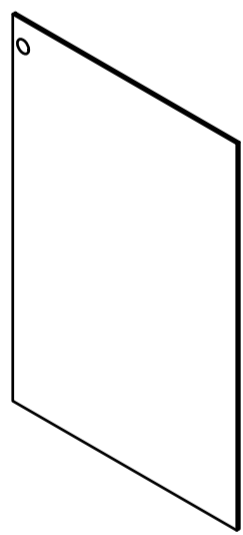
13x2



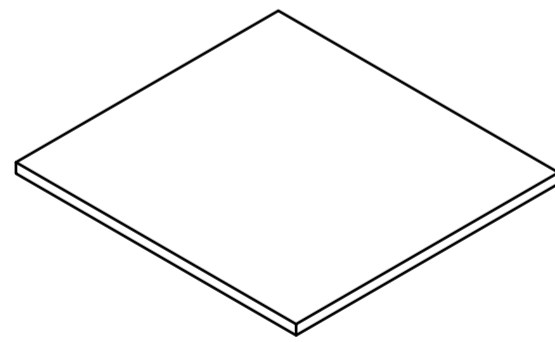
14x2



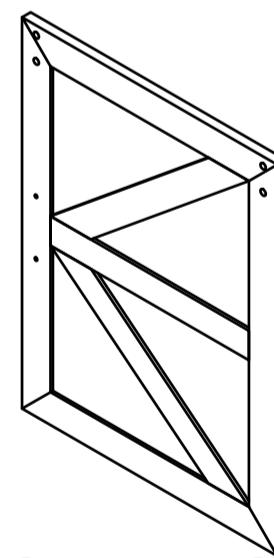
15Ax1



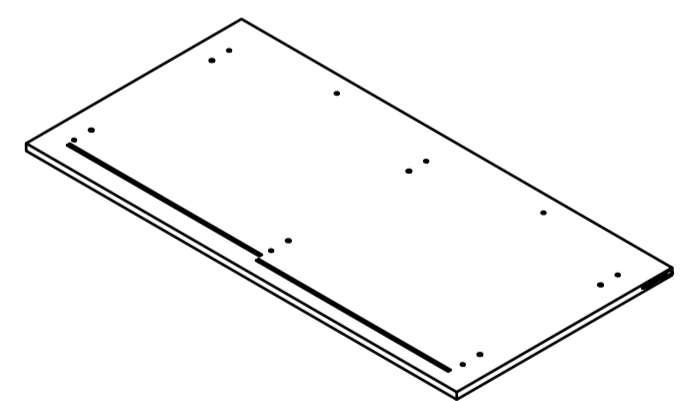
15Bx1



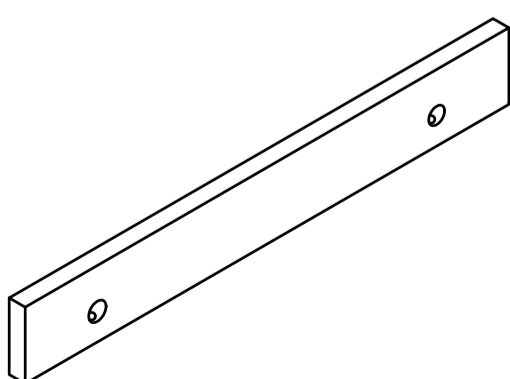
16x1



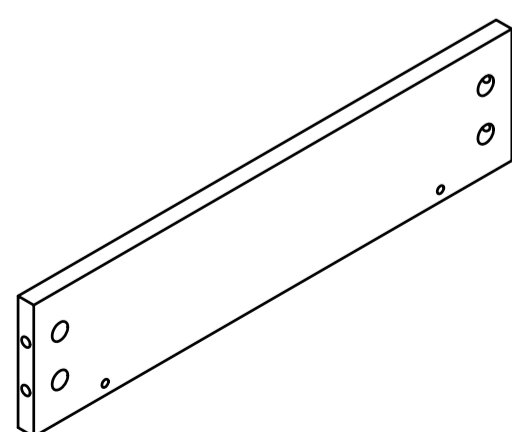
17x1



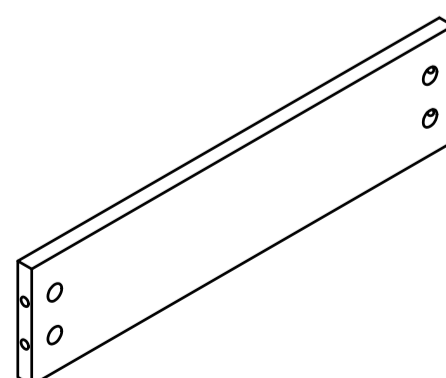
18x1



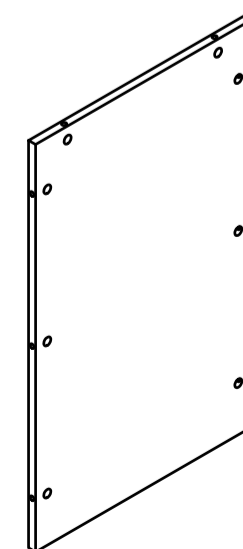
19x1



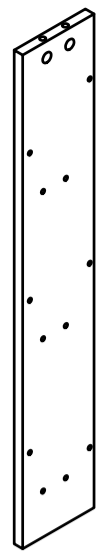
20x1



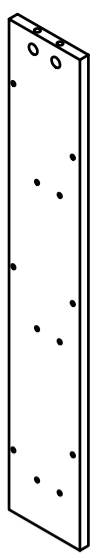
21x2



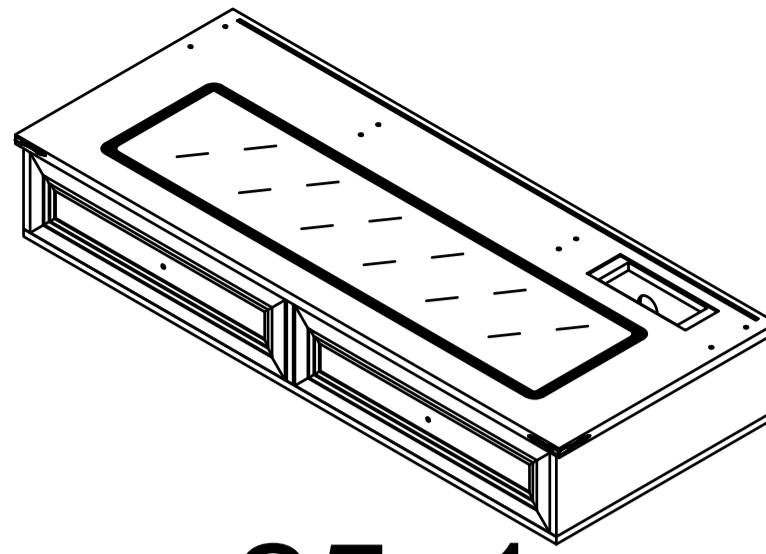
22x1



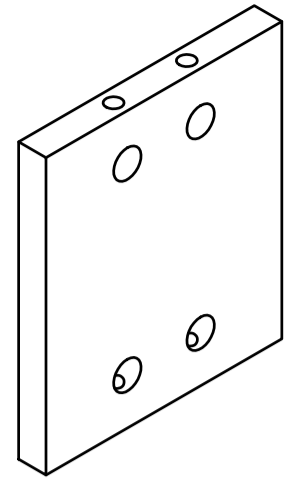
23x1



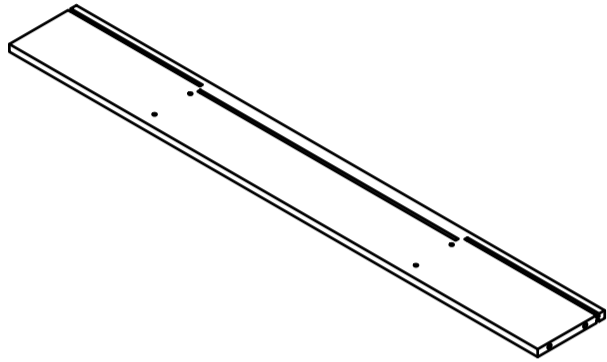
24x1



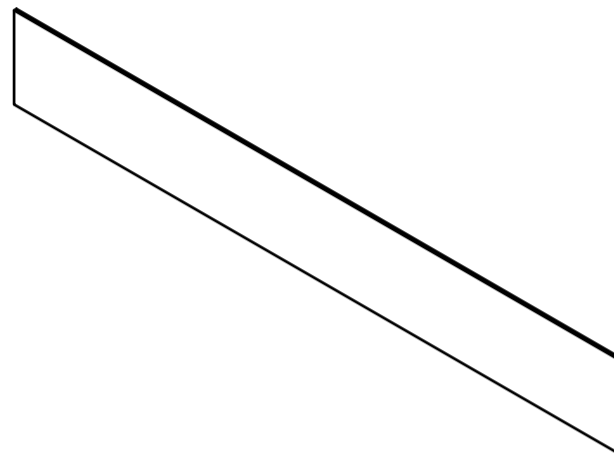
25x1



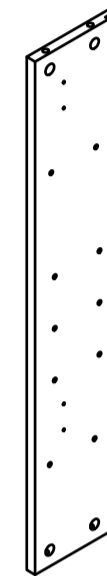
26x2



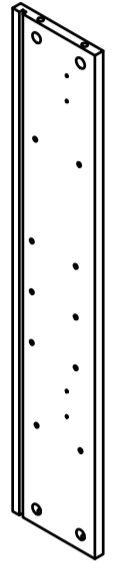
27x1



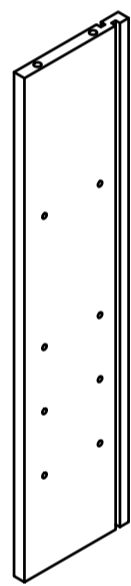
28x1



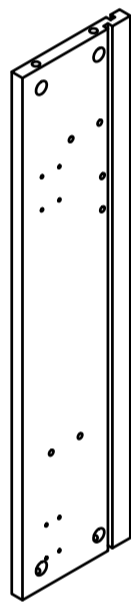
29x1



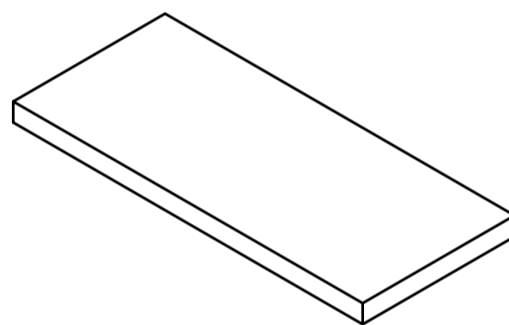
30x1



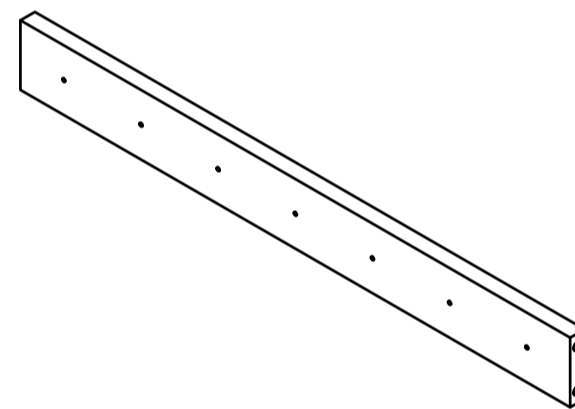
31x1



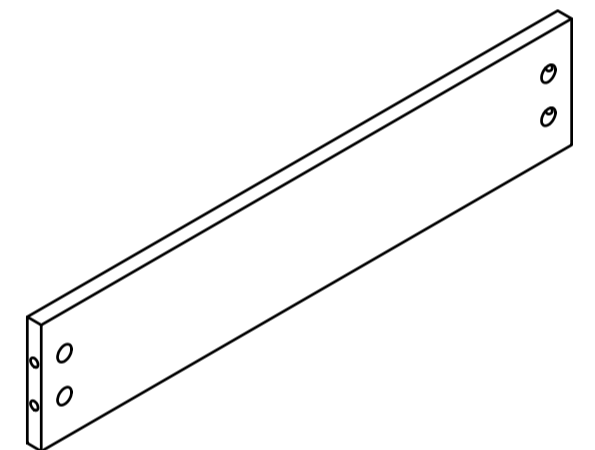
32x1



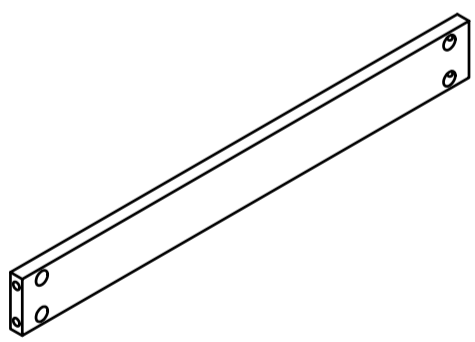
33x2



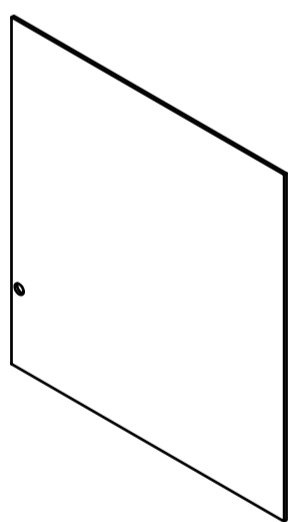
34x1



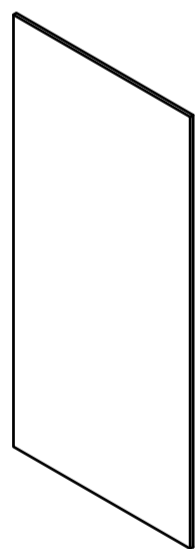
35x1



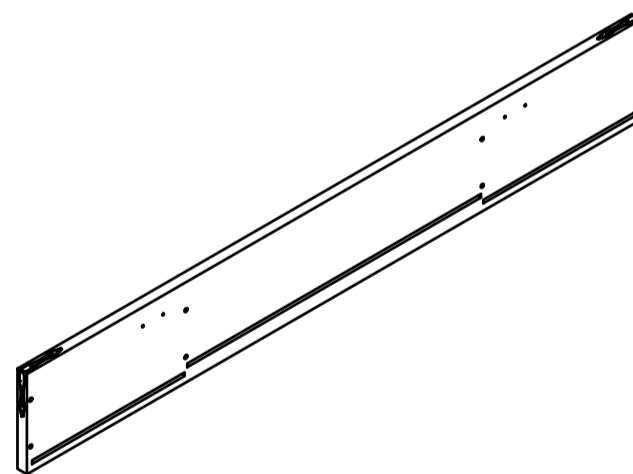
36x1



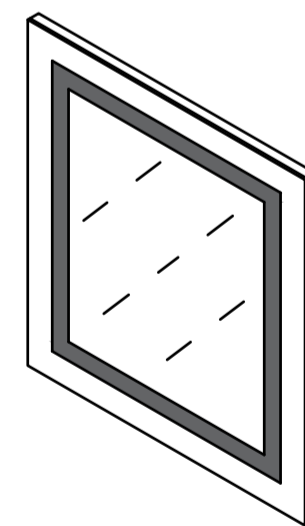
37x1



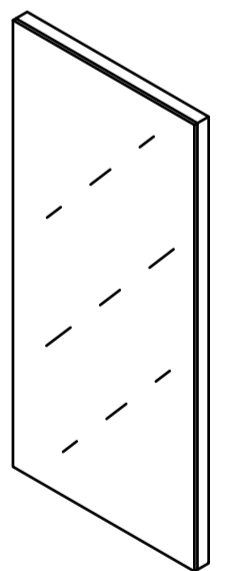
38x2



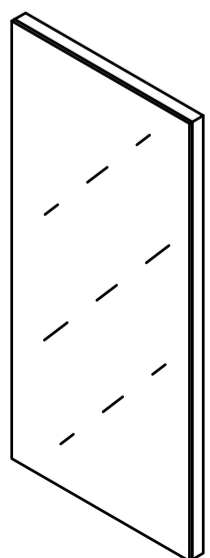
39x1



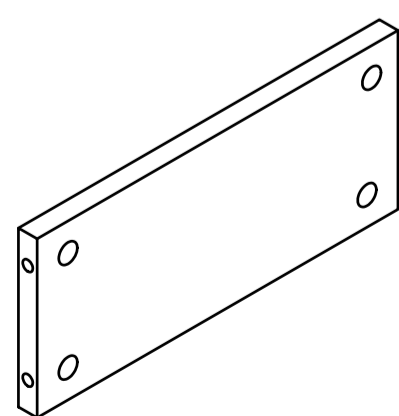
40x1



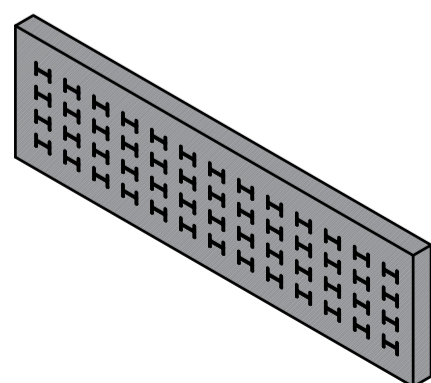
41x1



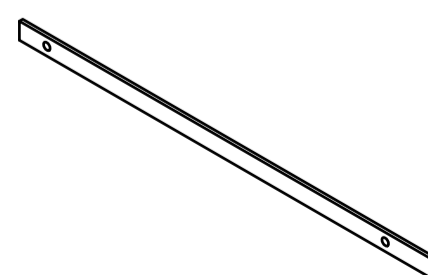
42x1



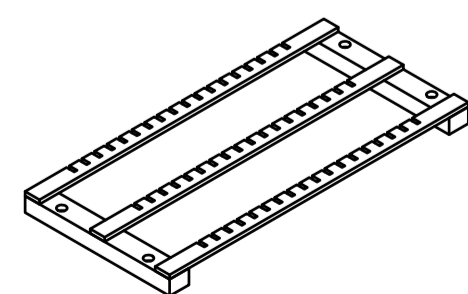
43x2



44x1



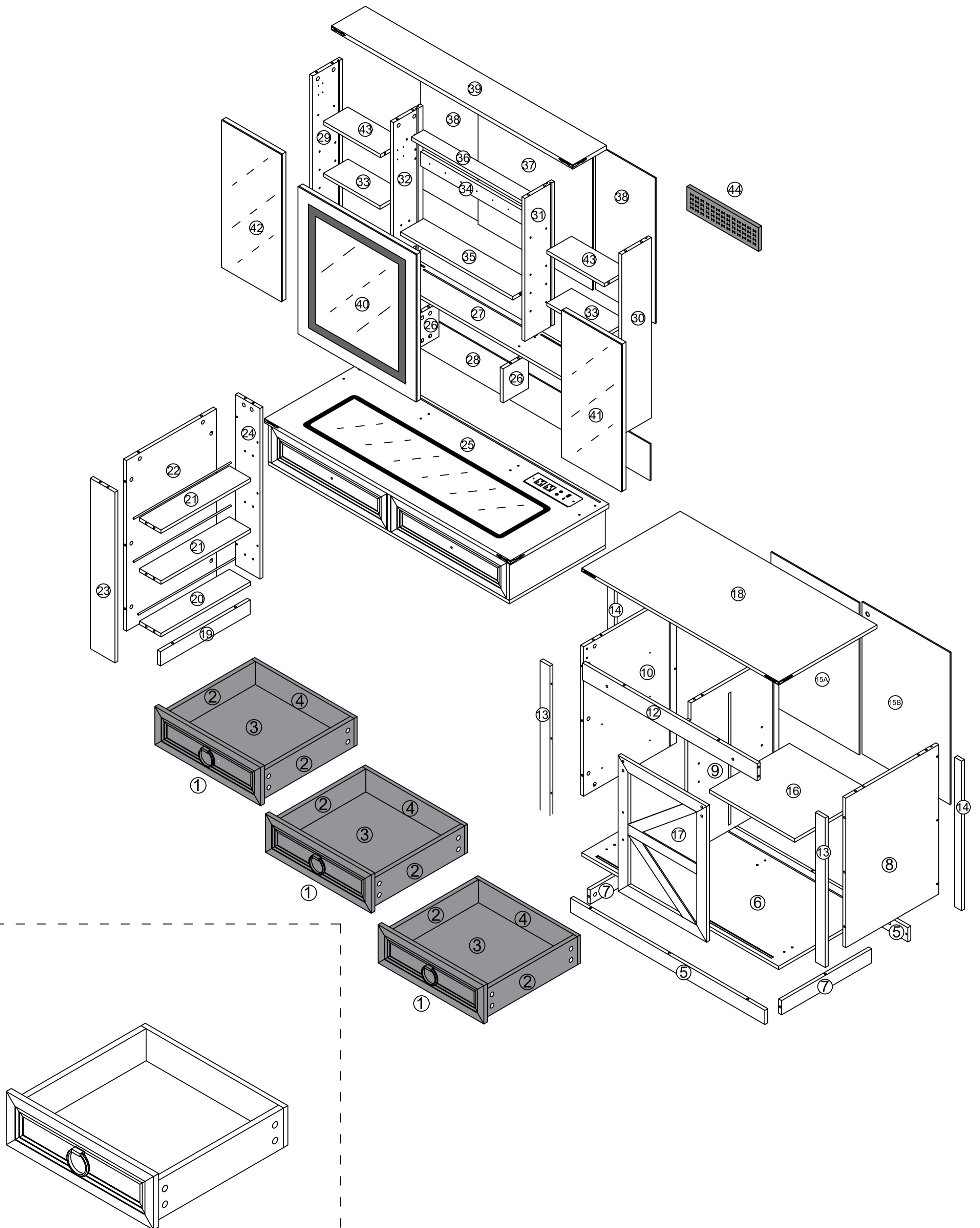
45x1



46x1

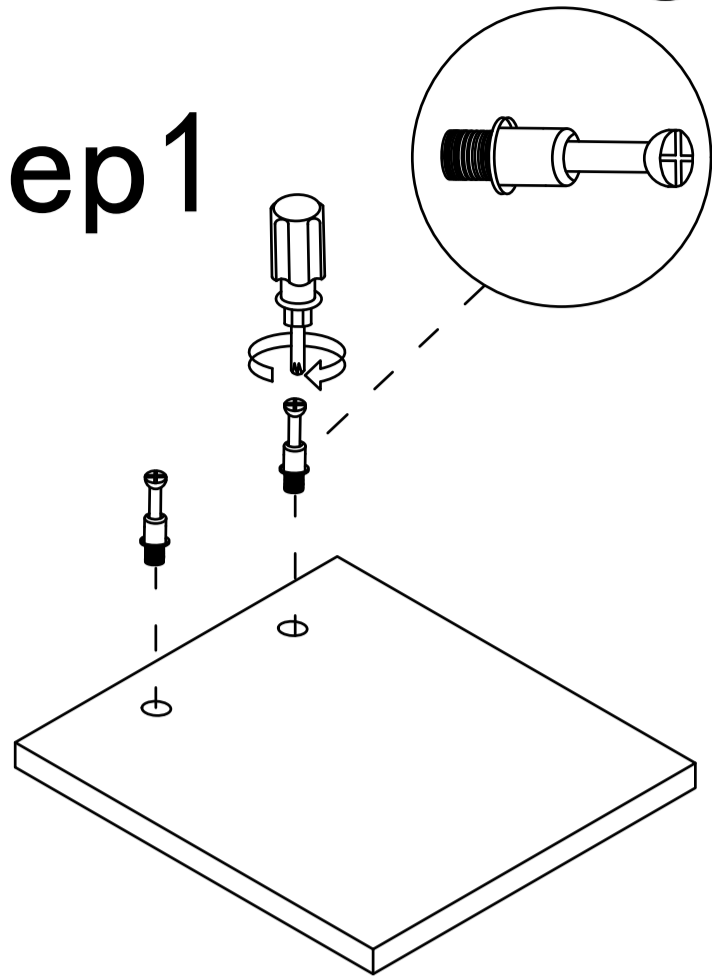
A		Two In One Screw (6x28mm)	136pcs +8pcs
B		Two In One Nut (10x12mm)	136pcs +8pcs
C		Wood Chipping (6x30mm)	12pcs +2pcs
D		Pull loop handle (4x8mm)	5pcs 5pcs +1pcs
E		Non-slip pads	10pcs +2pcs
F		Screw (3.5x20mm)	6pcs
G		Rubber strip guide & Screw (3.5x12mm)	6pcs 30pcs +3pcs
H		Screw (6x28mm)	2pcs
I		Plastic hoses	2pcs
		Iron guide rail hook	2pcs
		Plastic slide	2pcs
J		Screw (3.5x12mm)	4pcs +1pcs
K		Screw (6x12mm)	4pcs +1pcs
L		nail	2pcs
M		Laminate support nail	12pcs
N		Handle & Screw (4x16mm)	1pcs 2pcs +1pcs
O		Fixing Clip & Screw (3x16mm)	26pcs +1pcs
P		Iron wire (376)	3pcs
Q		Power Socket & Screw (3x10mm)	1pcs 2pcs +1pcs
R		Screw & Hook (2.6x12mm)	7pcs 7pcs +1pcs
S		Corner code(30x30x1.5) Screw (3.5x12)	2pcs 8pcs +2pcs
T		Screw (3.5x12mm)	24pcs +1pcs
		Self-tapping screws (4x10mm)	12pcs +1pcs
	Hinge		6pcs
U		Screw (3x18mm)	4pcs +2pcs
V		Wire Clamp	5pcs +2pcs
W		power cord extension cord	1pcs
Y		Iron Sheet & Screw (3x10mm)	2pcs 4pcs +1pcs
		Door Magnet & Screw (3x10mm)	2pcs 4pcs +1pcs
X		 1pcs Double-head screwdriver, use as required	

Product structure decomposition

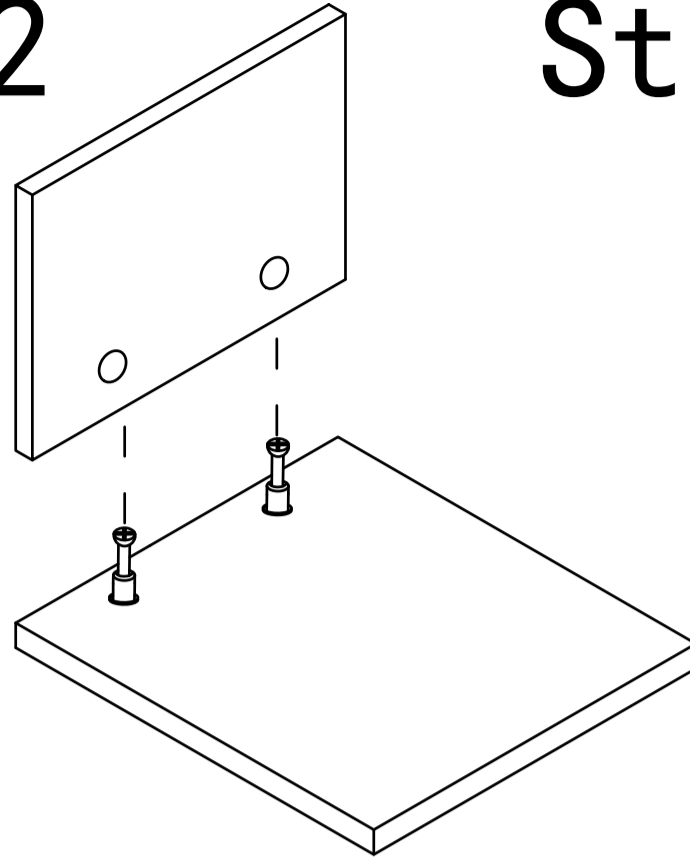


Use parts A and B

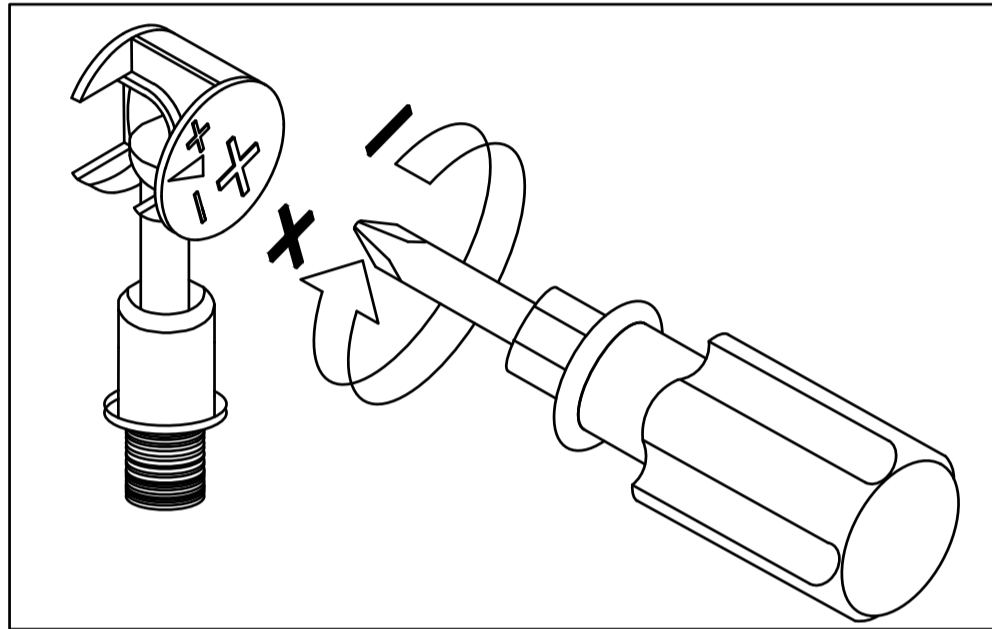
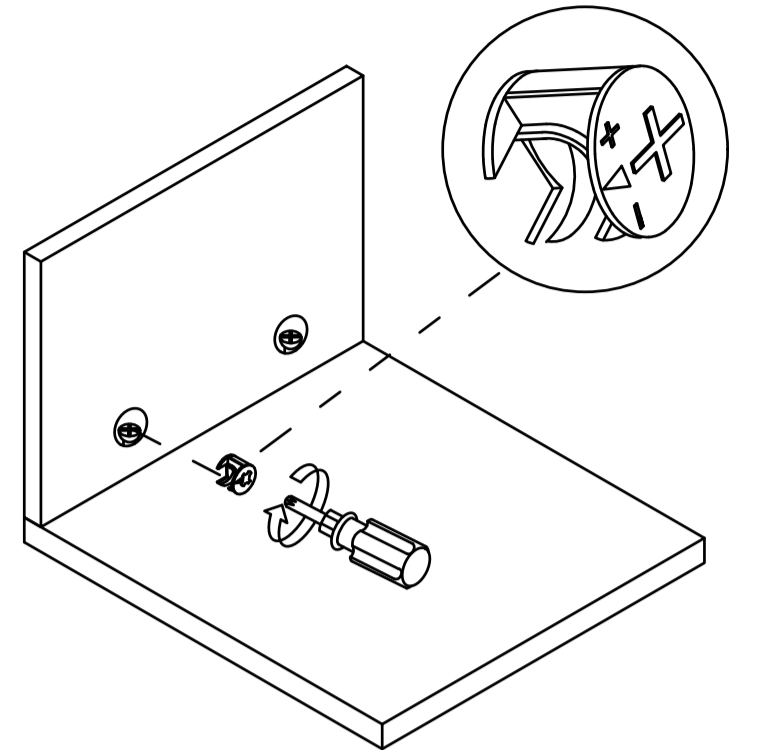
Step 1



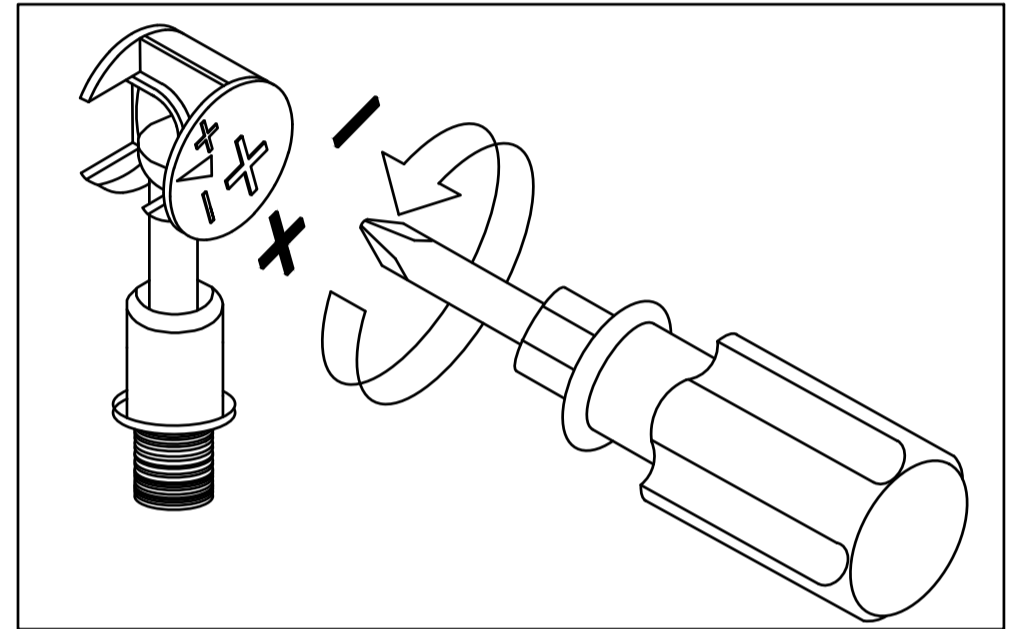
Step 2



Step 3

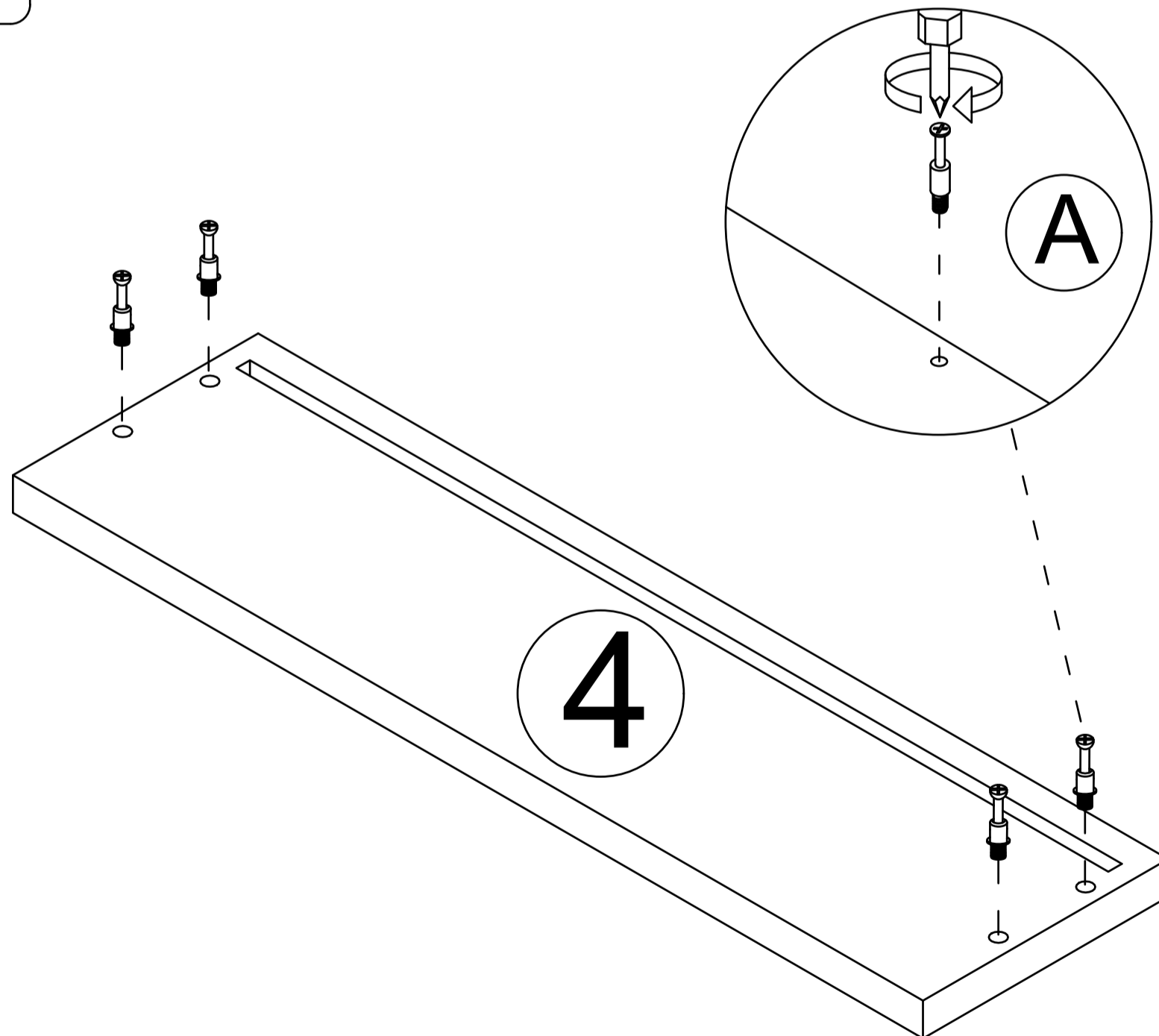
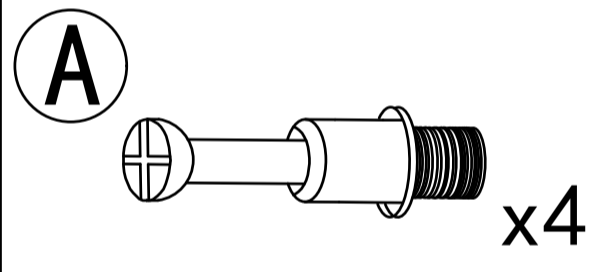


Use a screwdriver to lock in the direction of the "+" sign

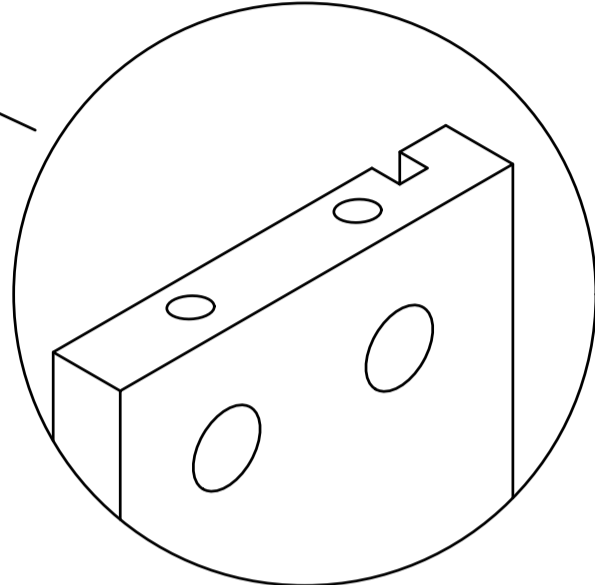
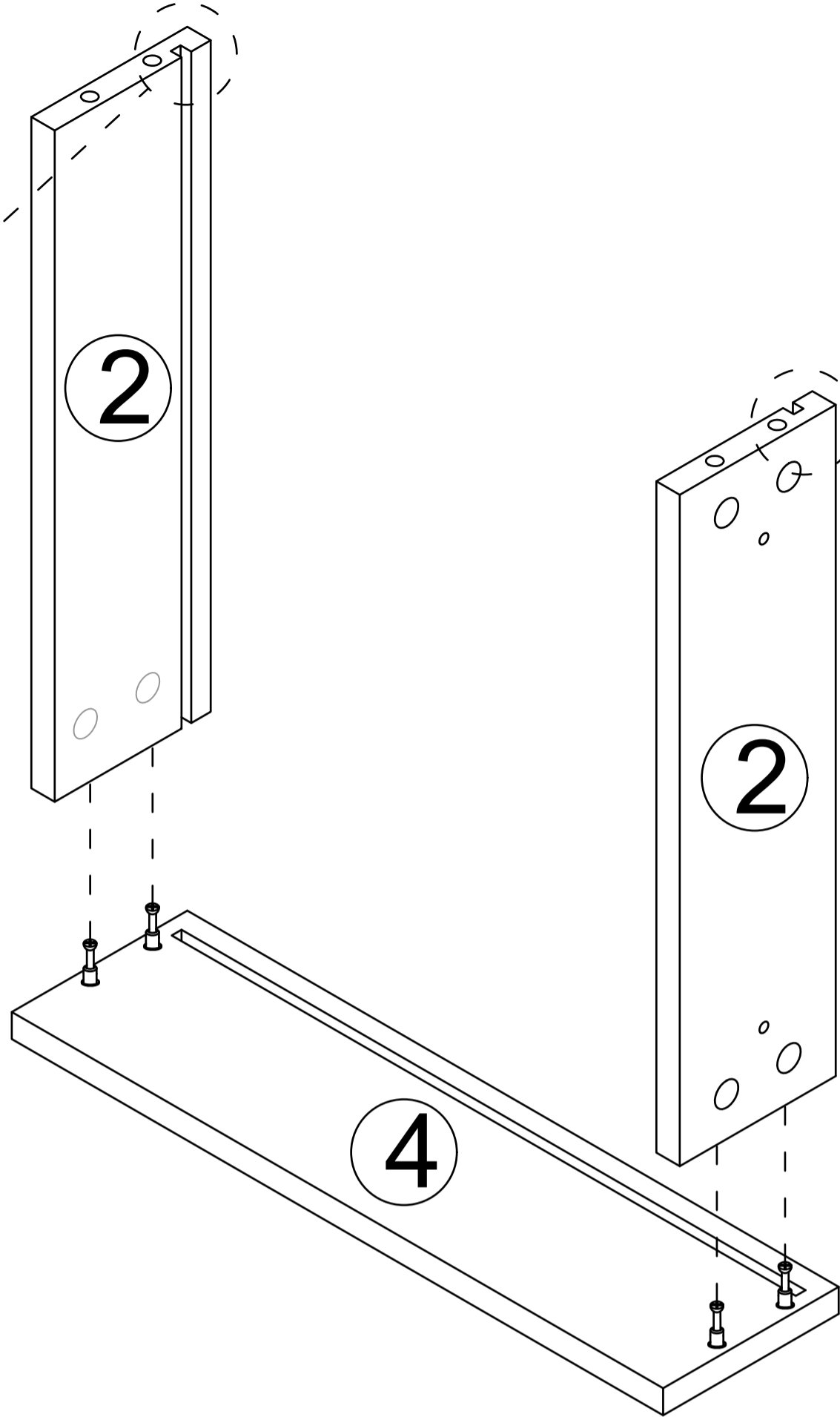
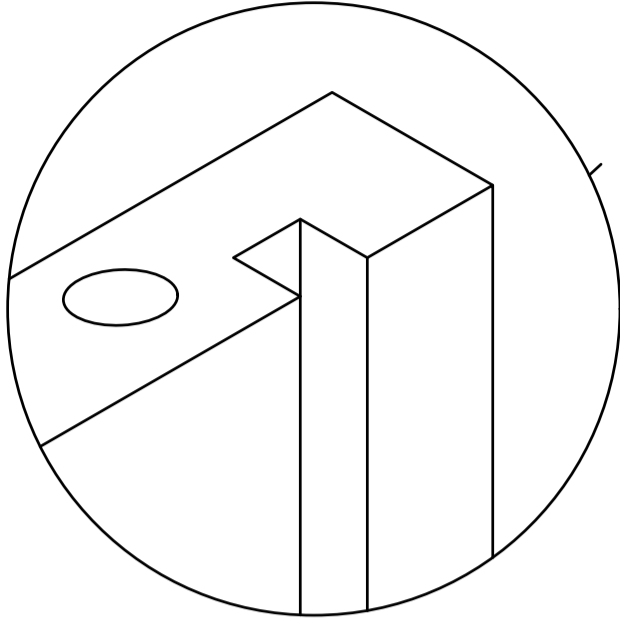


Disassemble along the direction of "-" sign

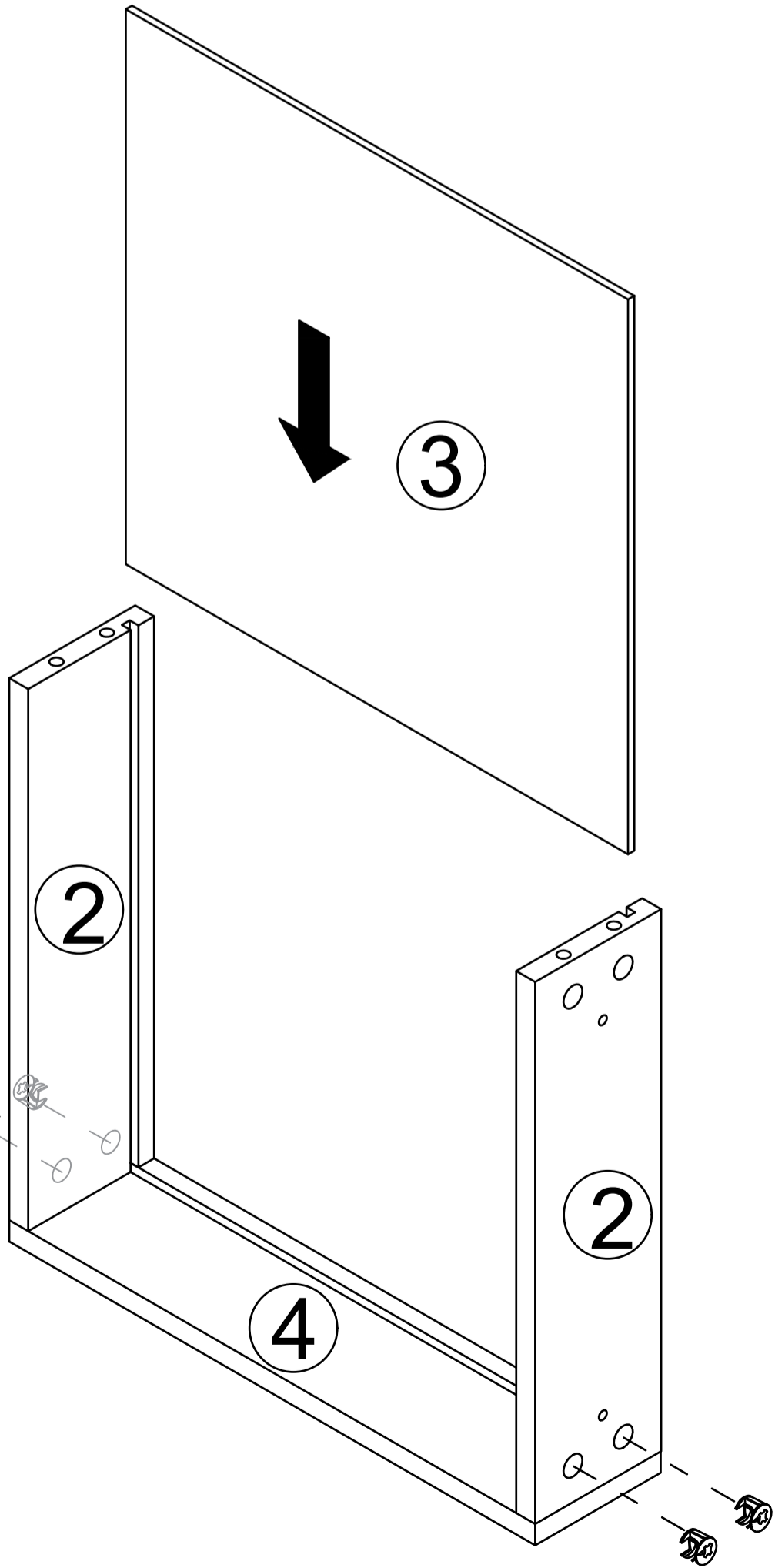
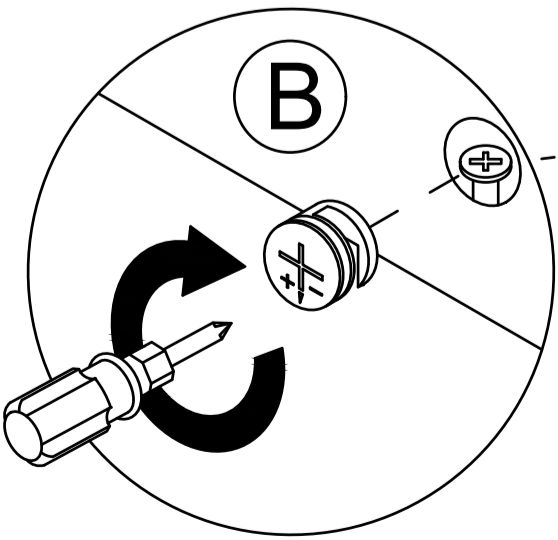
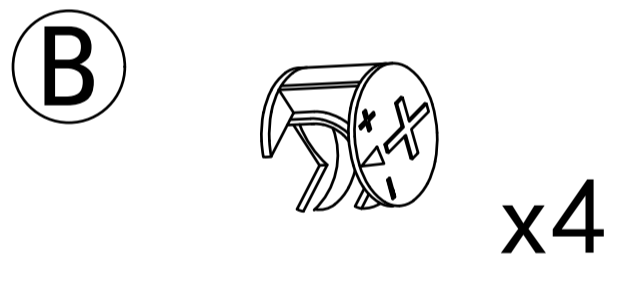
Step 1



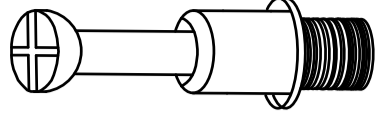



Step 2

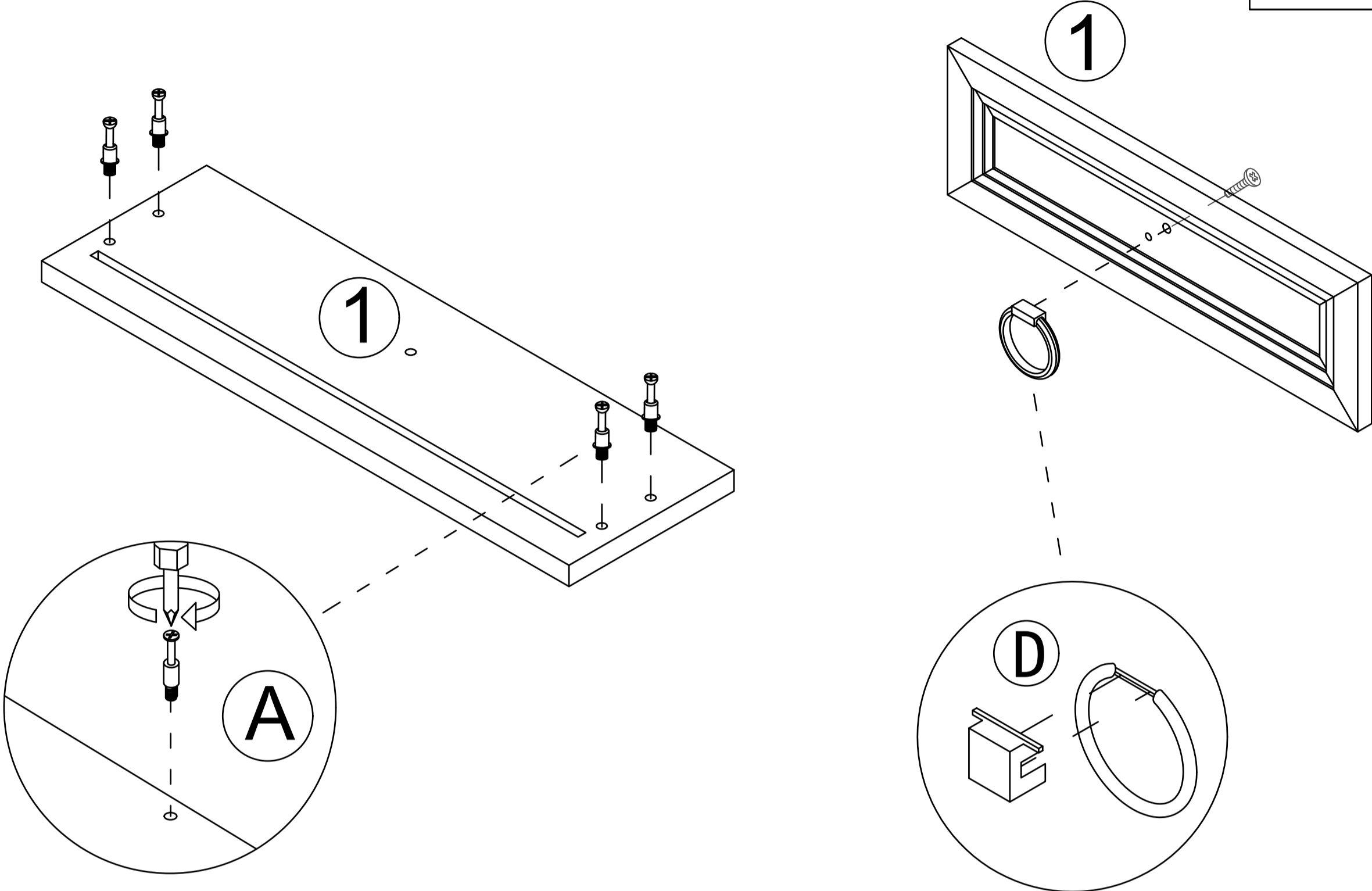


Step 3




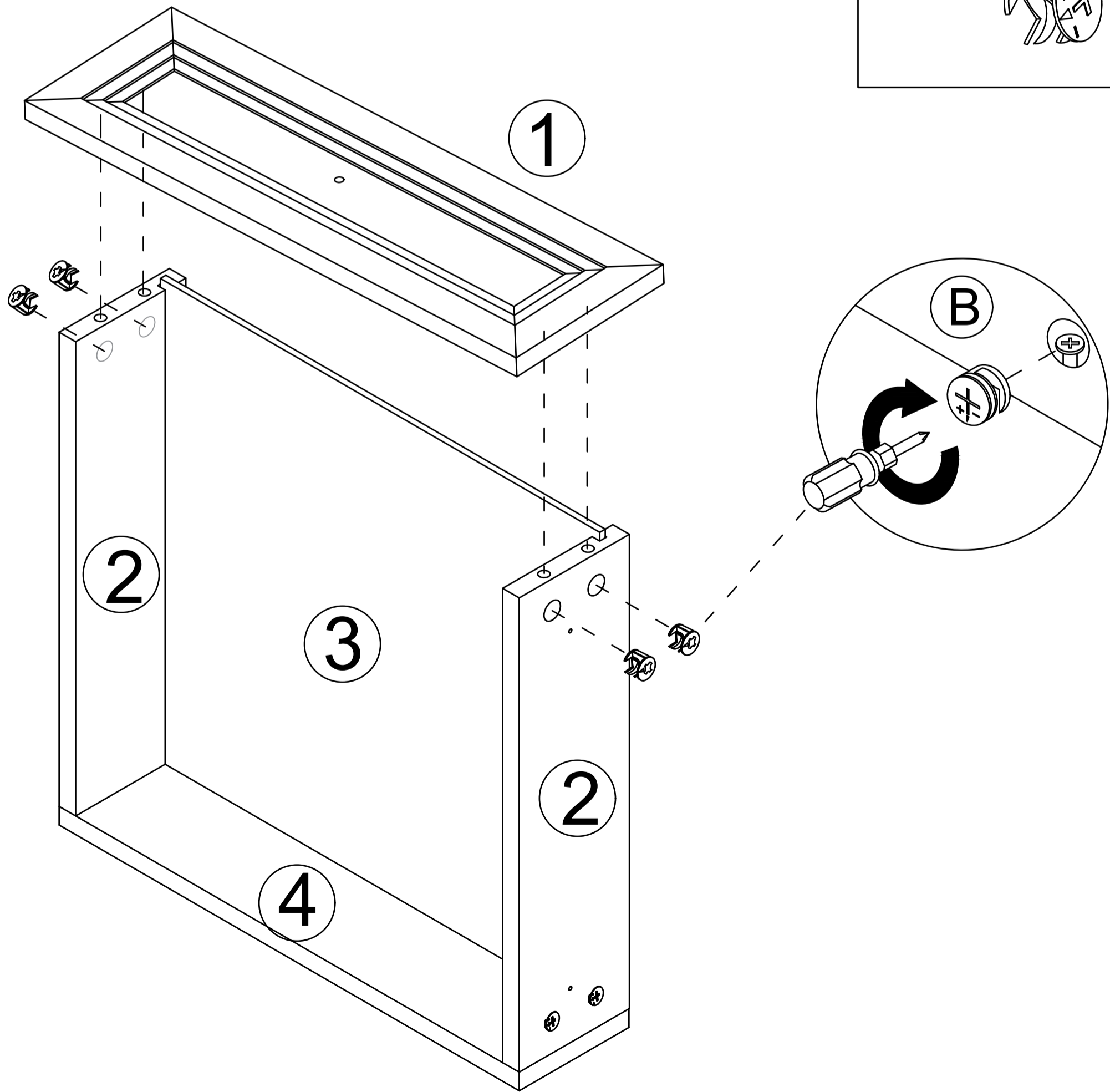
Step 4

- A**  x4
- D**  x1  x1  x1

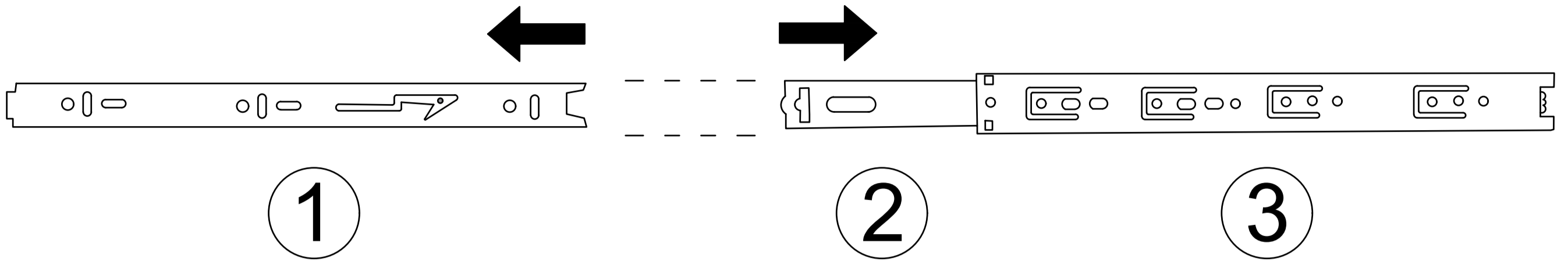


Step 5

- B**  x4

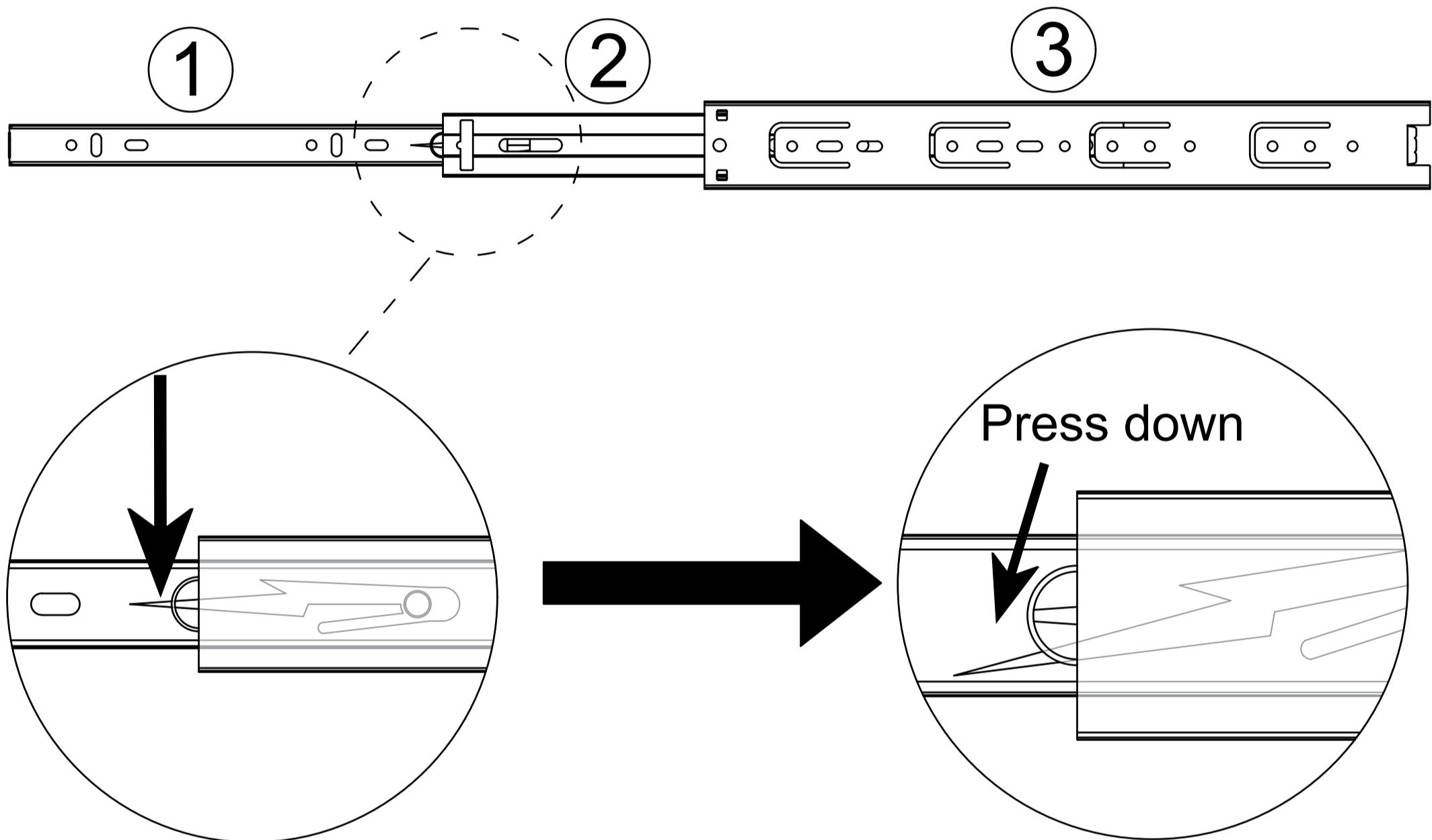


Drawer rail breakdown diagram



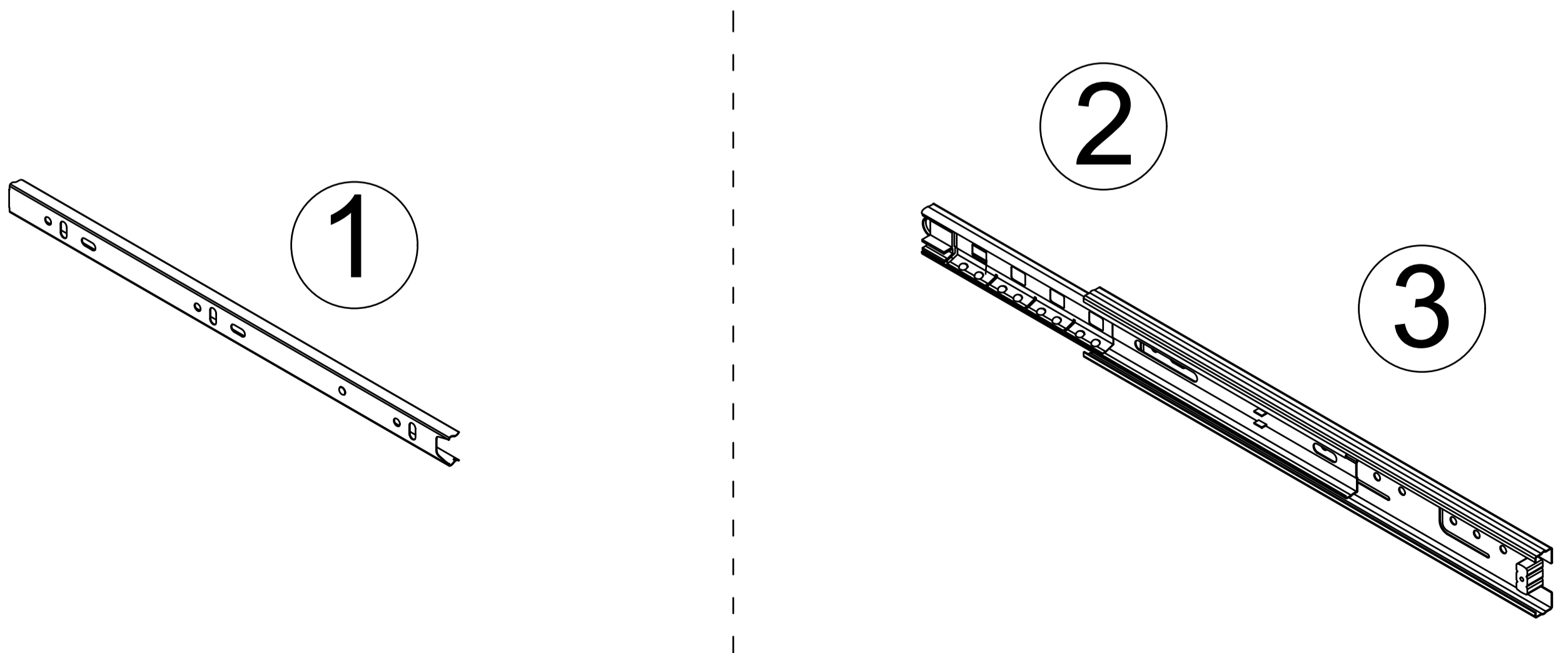
① Dismantle the schematic diagram

Step 1 : Pull the rails apart

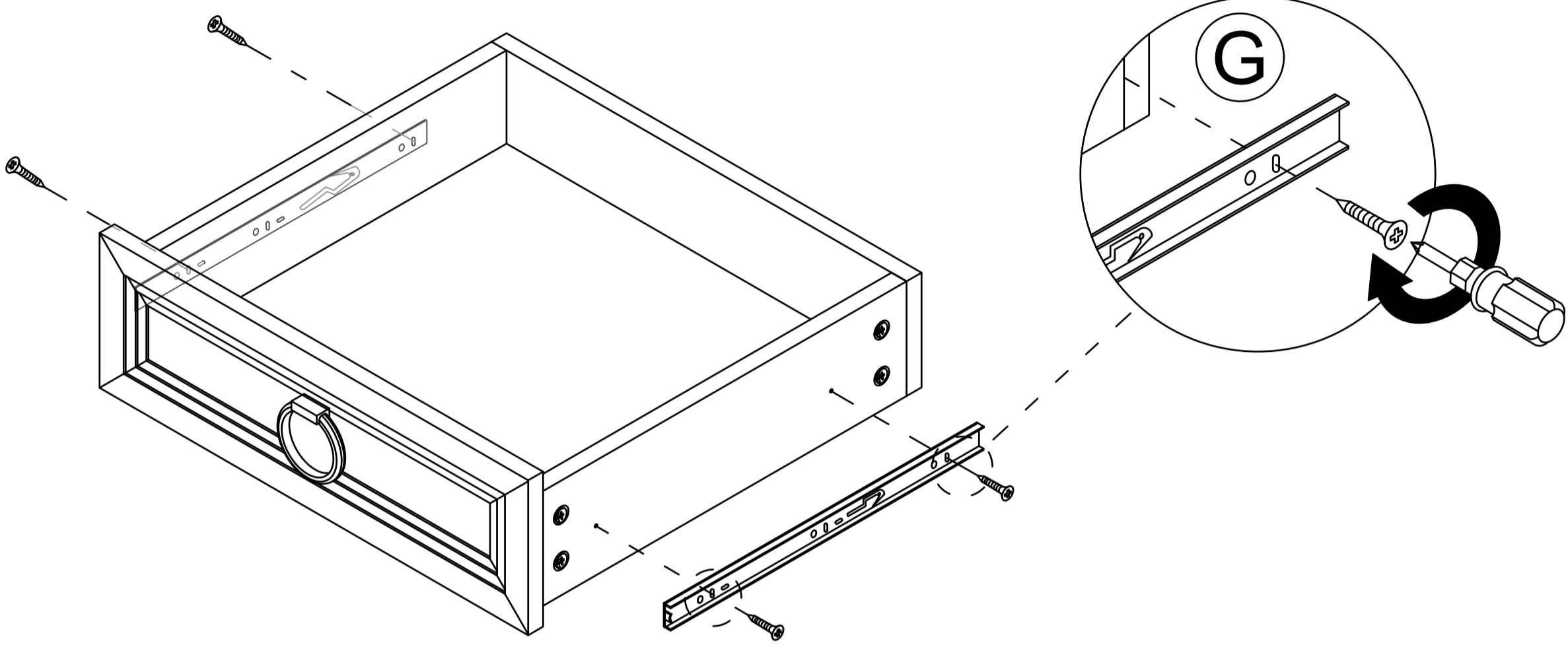
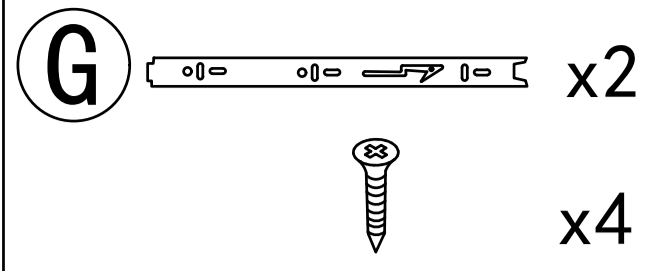
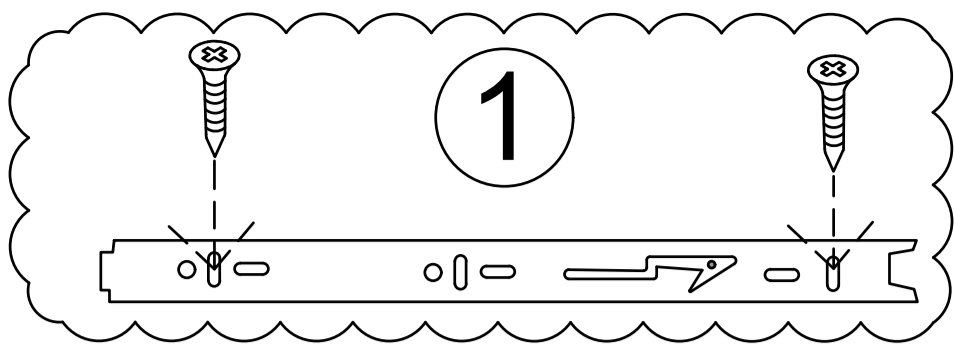


Step 2 : Press the nylon button and pull out ①.

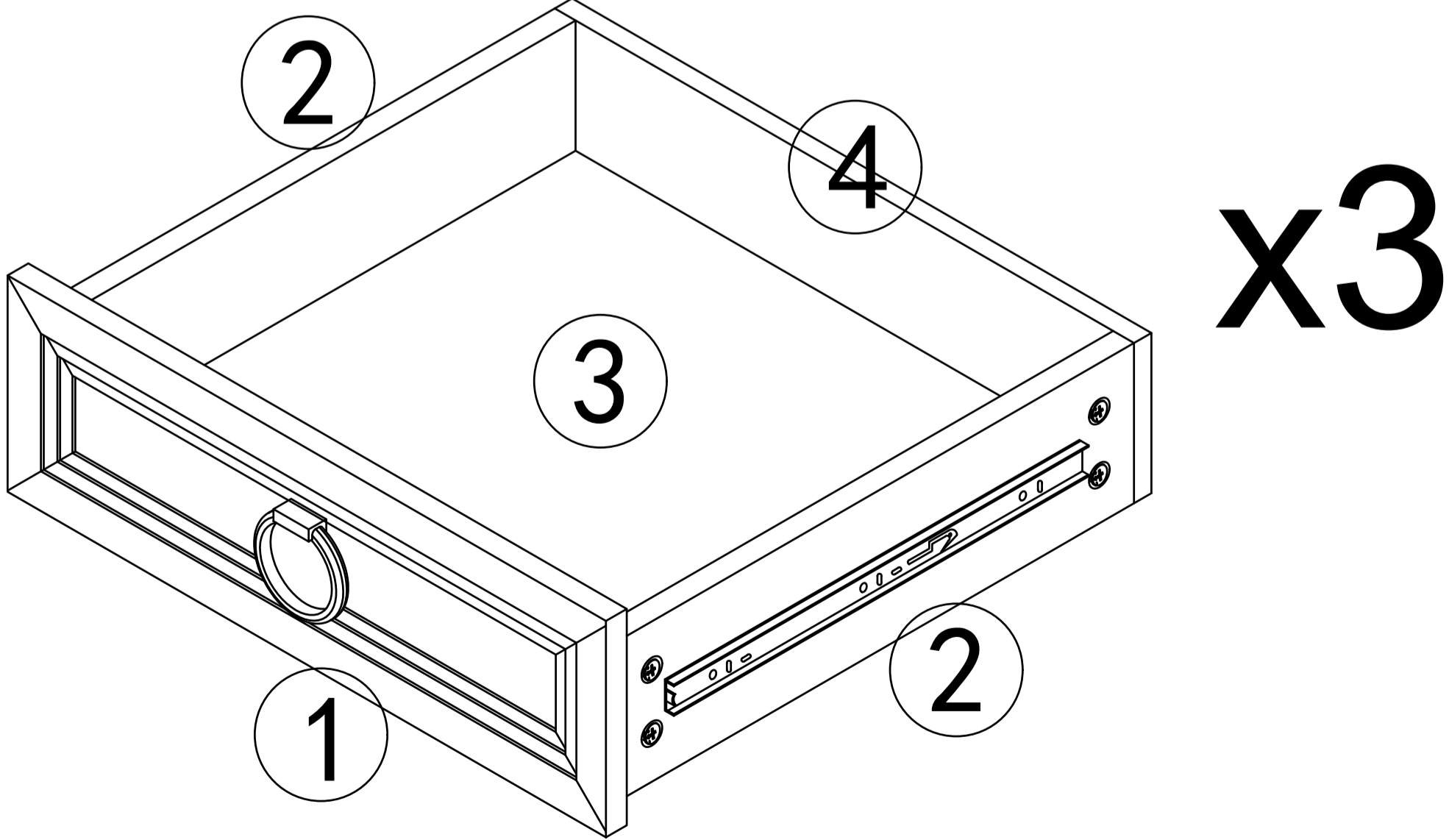
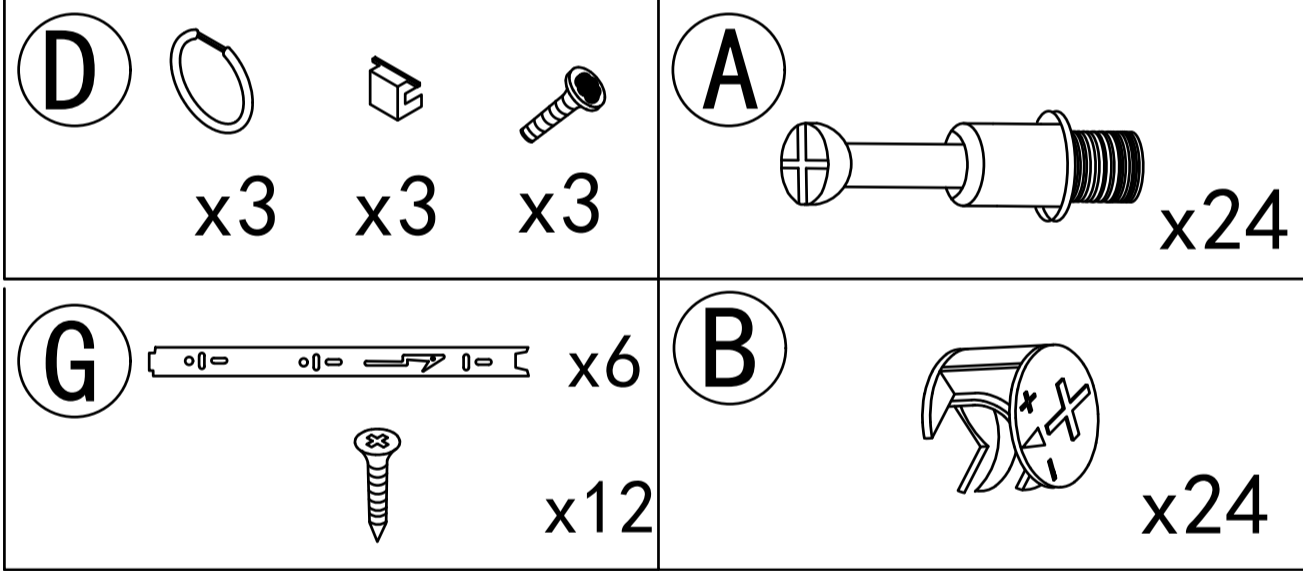
Drawer rail decomposition completed schematic diagram



Step 6

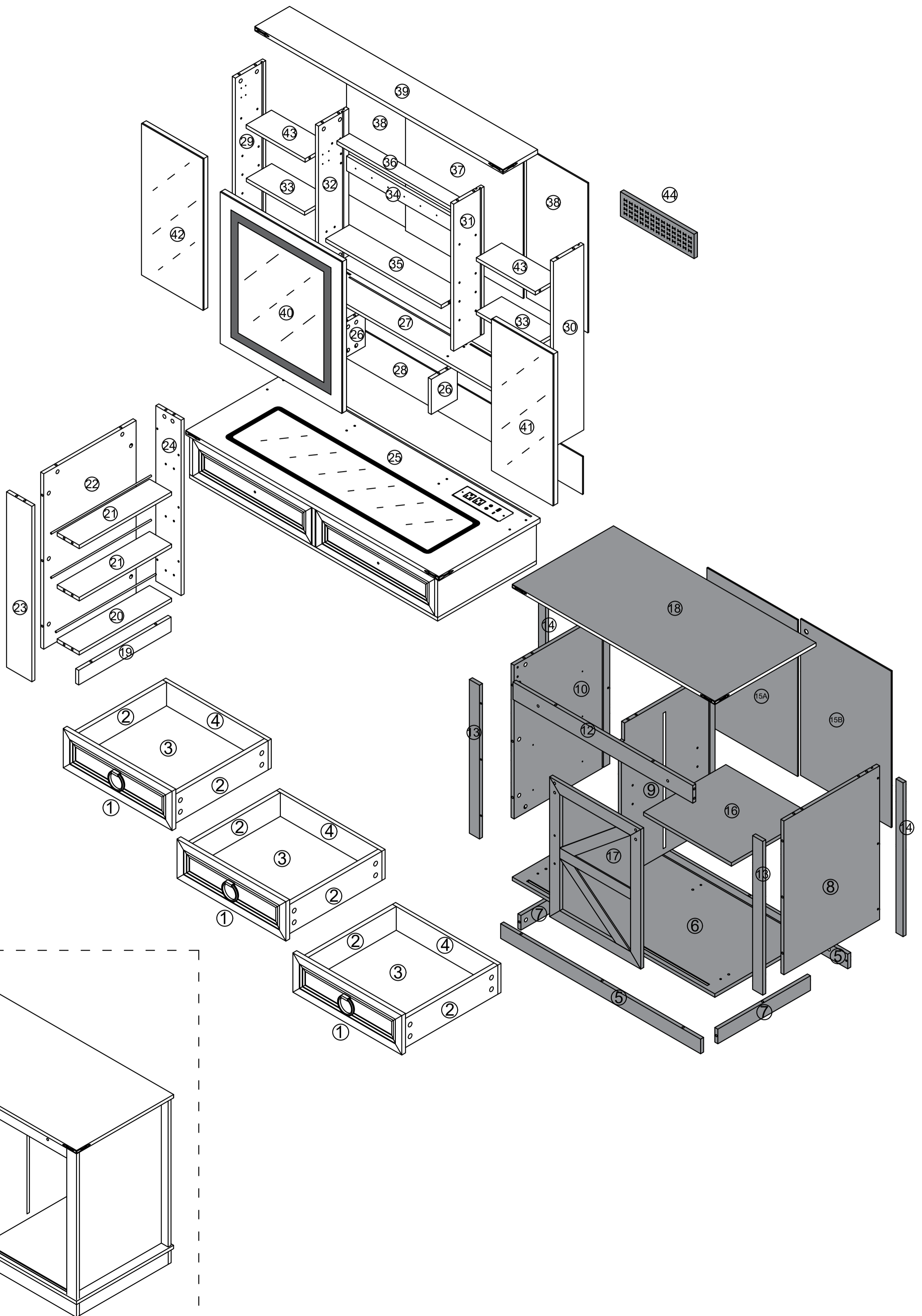


Step 7

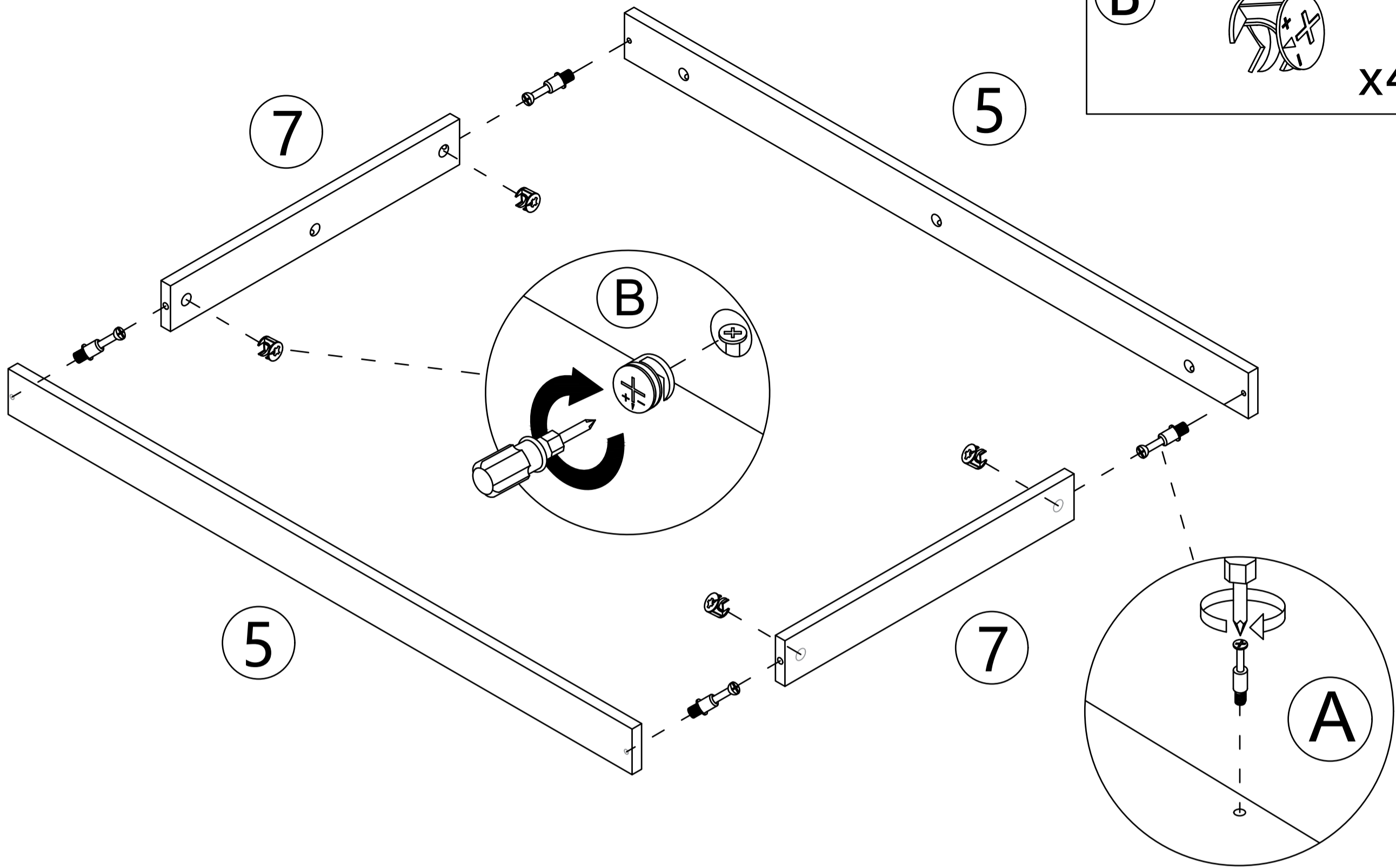


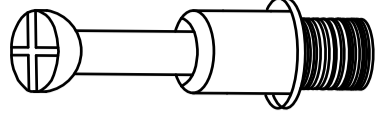
Repeat the drawer installation steps

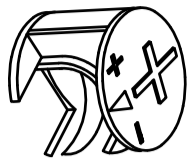
Product structure decomposition



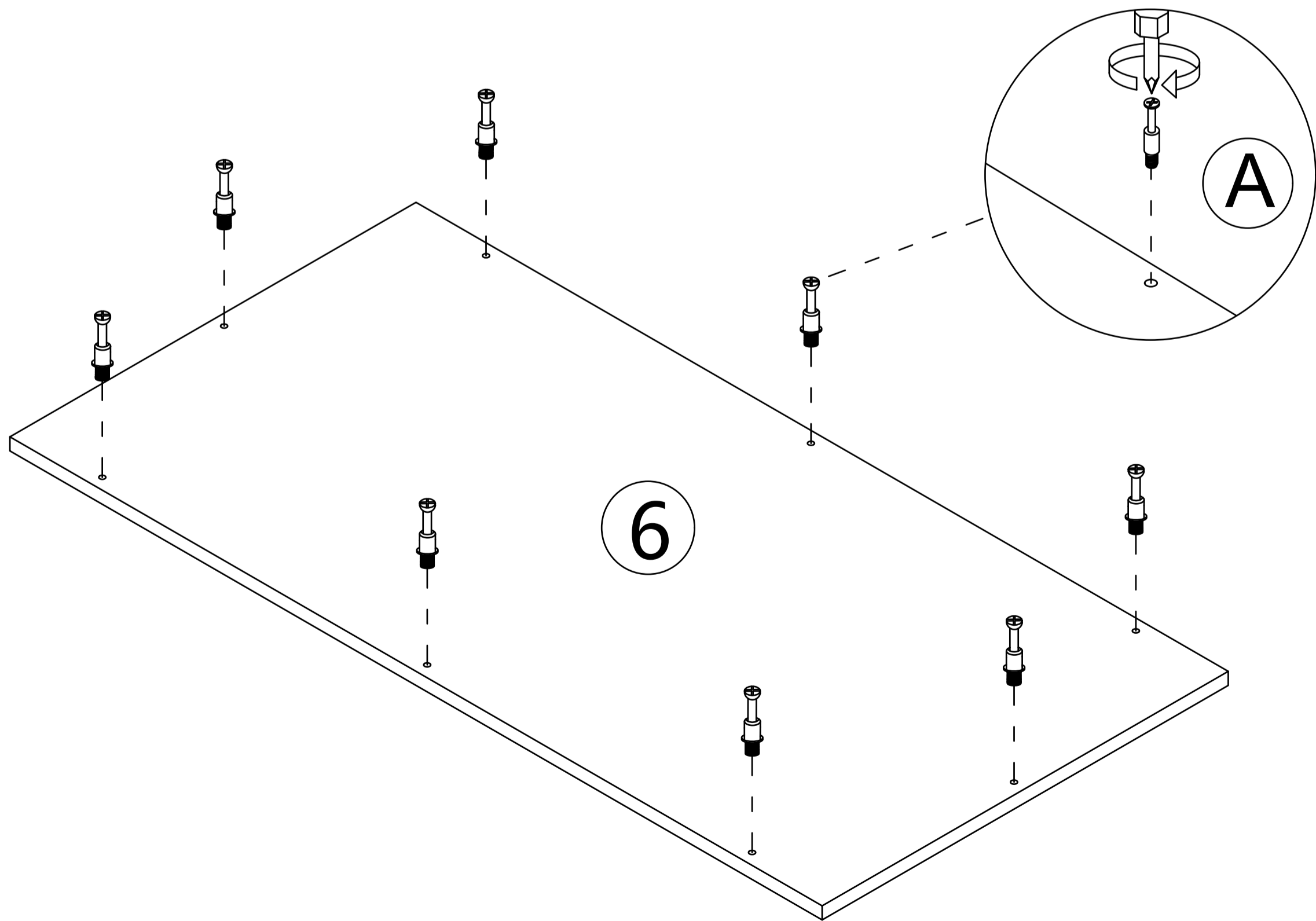
Step 8

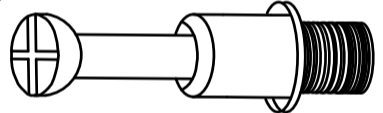


A  x4

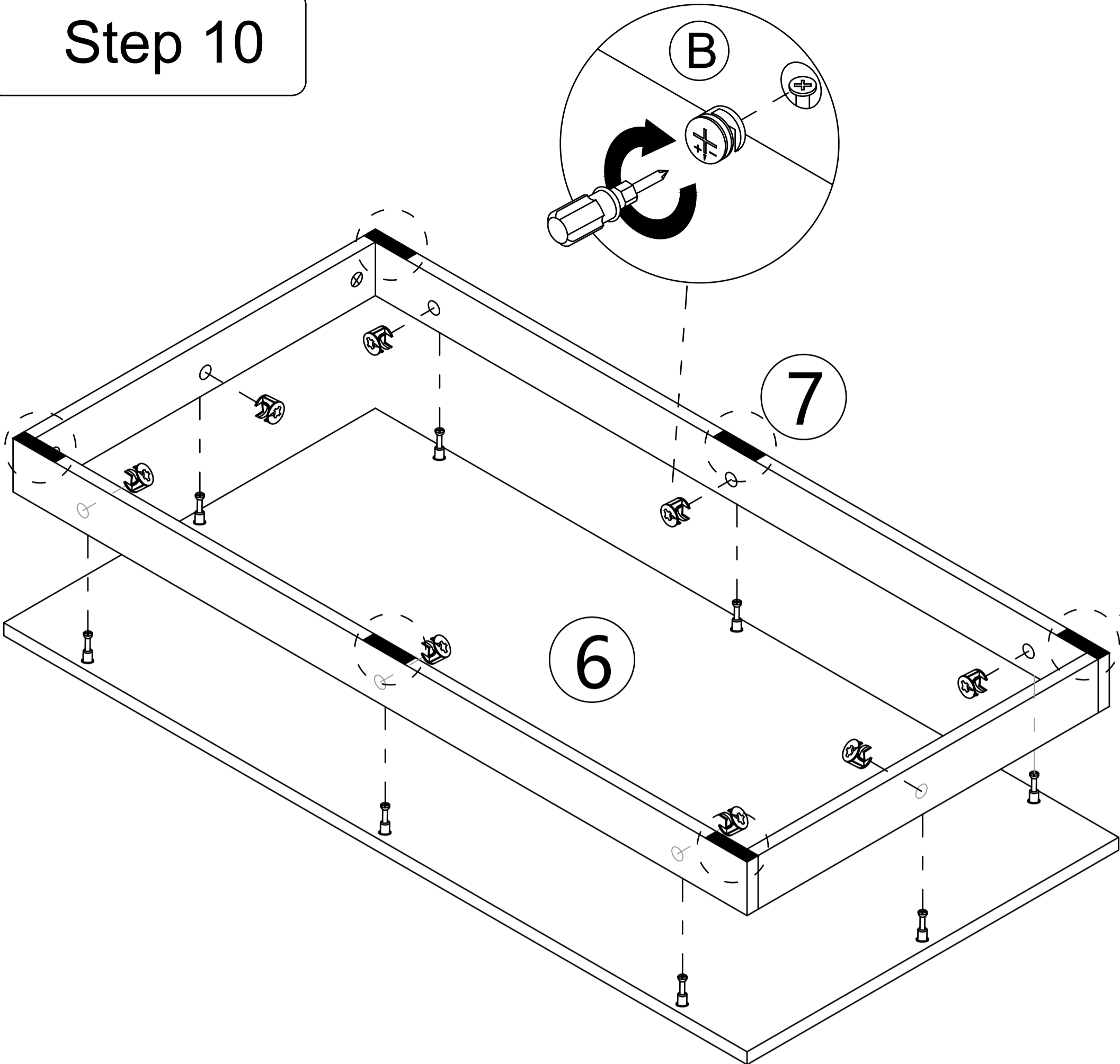
B  x4


Step 9

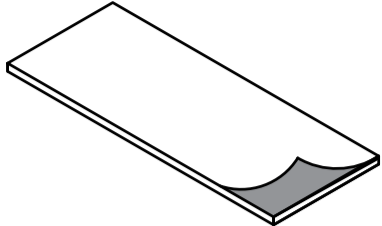


A  x8

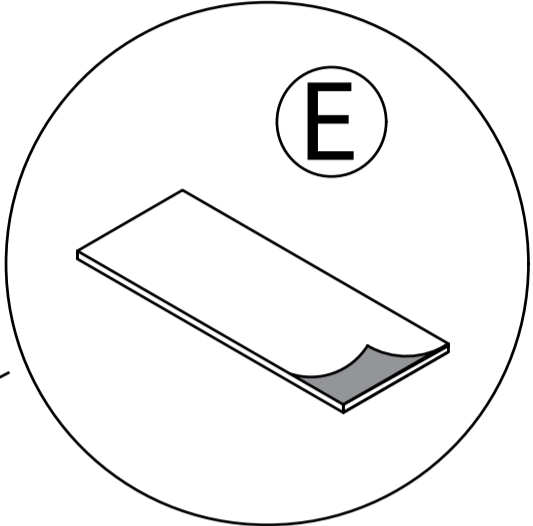
Step 10



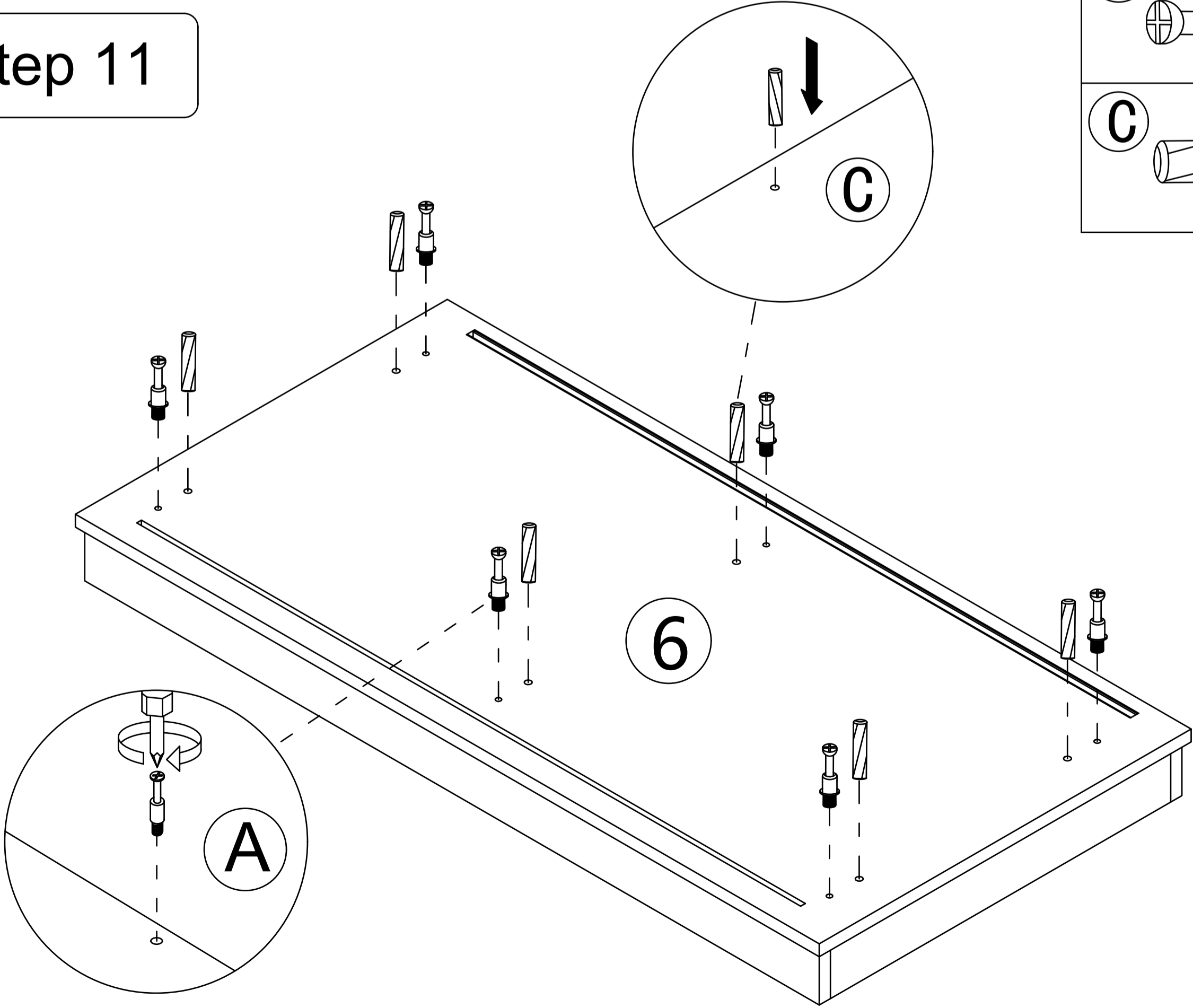
B  x8

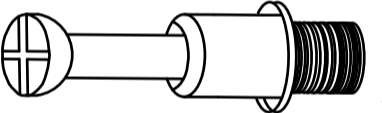
E  x6


Tear off release paper and stick the black foot pad on the board

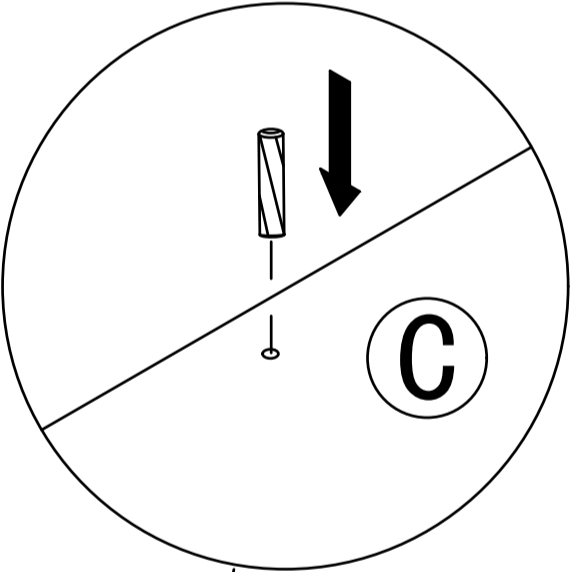
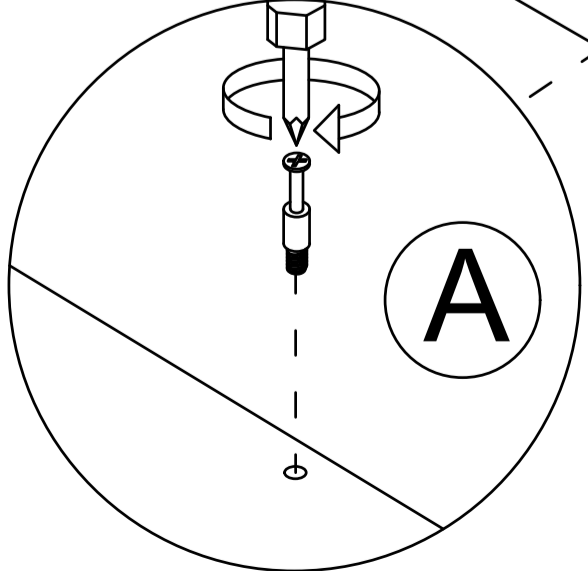


Step 11

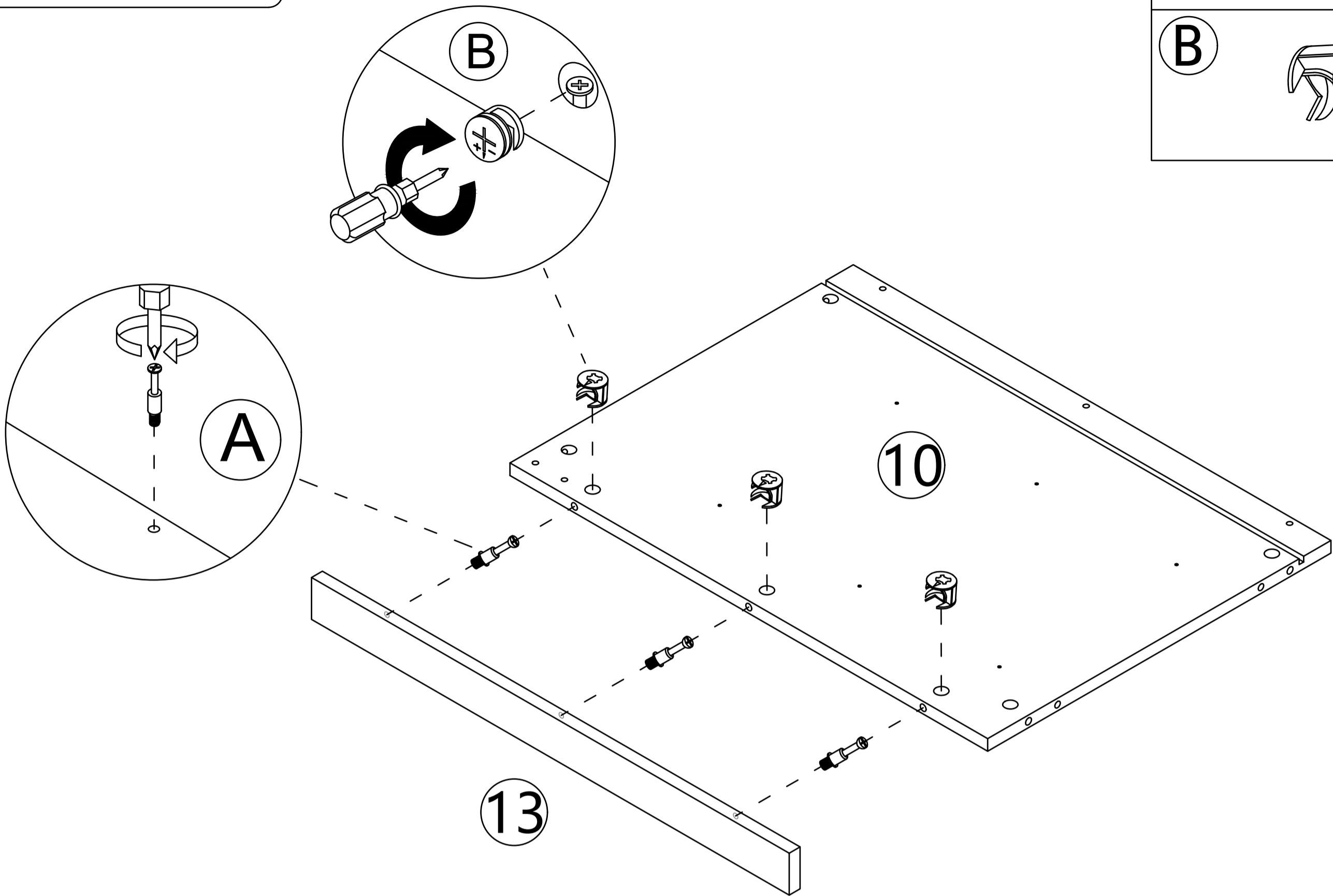
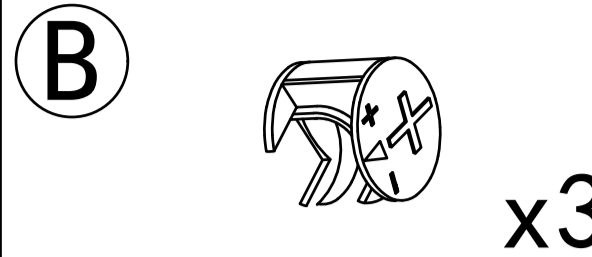
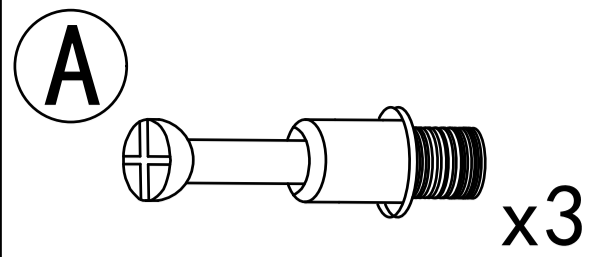


A  x6

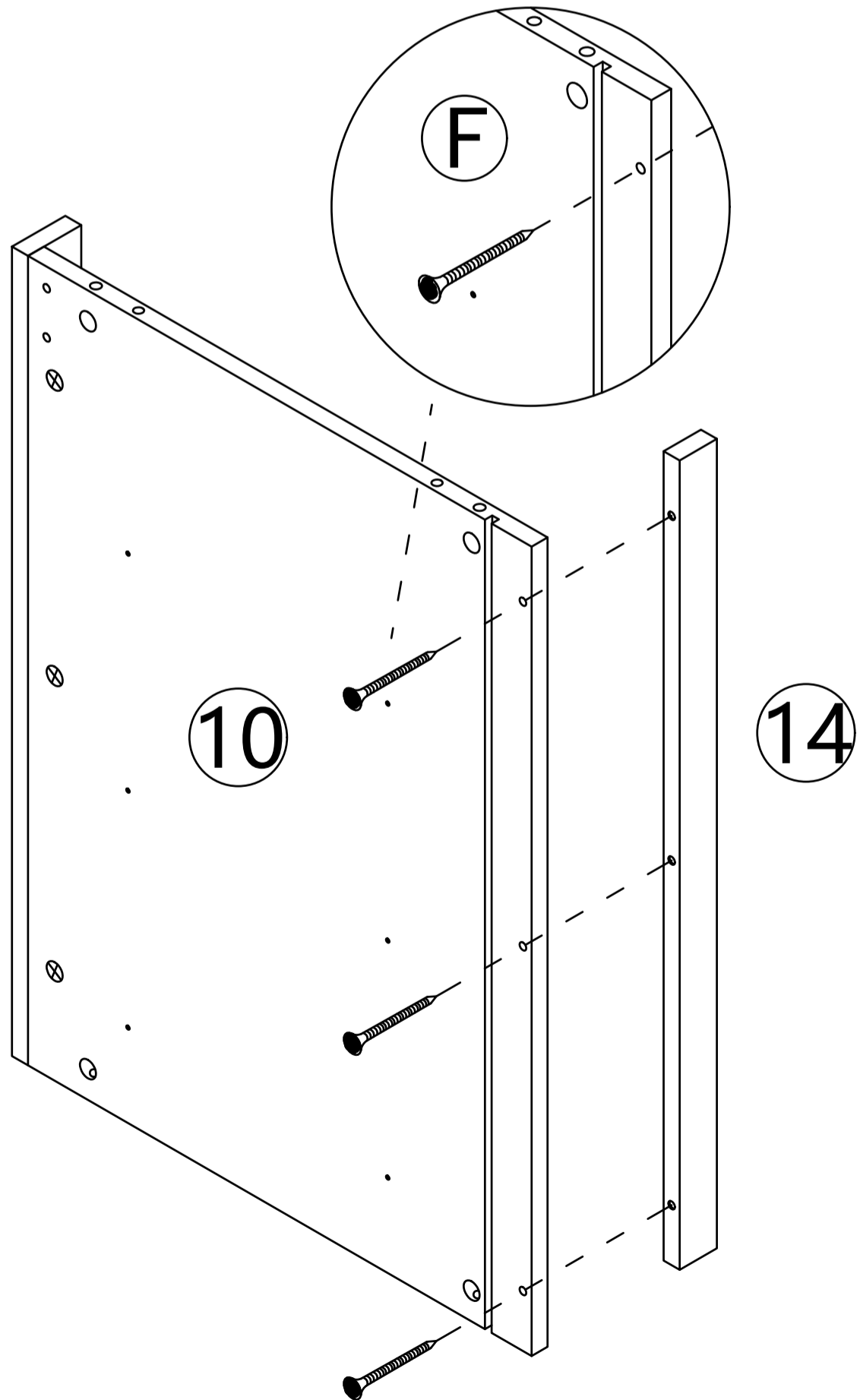
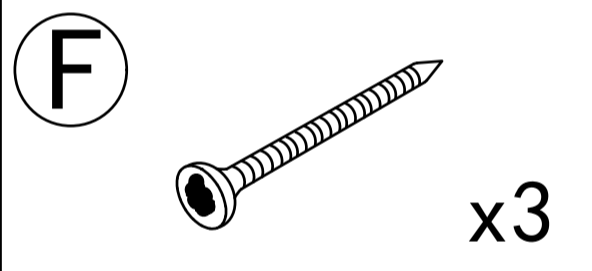
C  x6



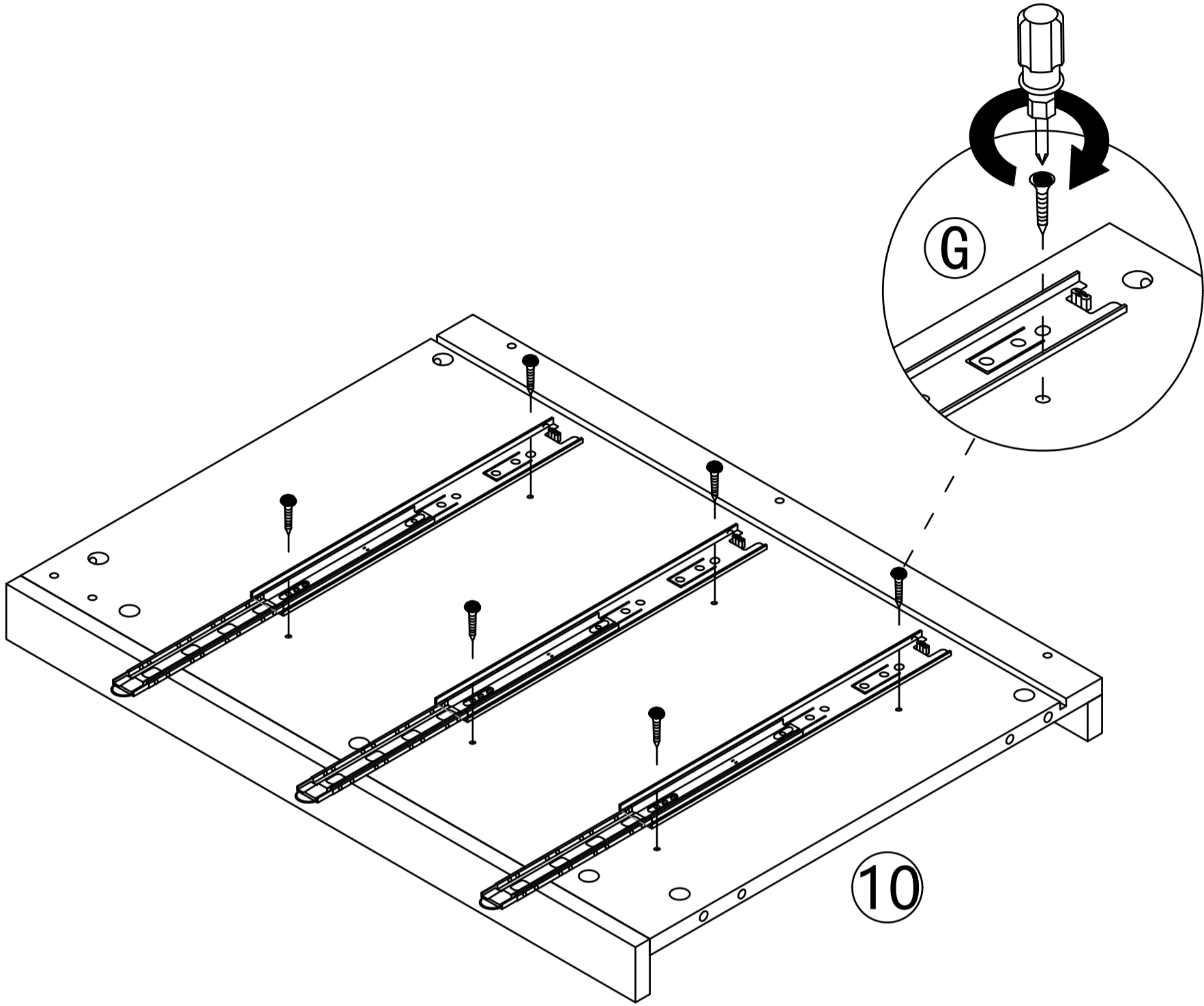
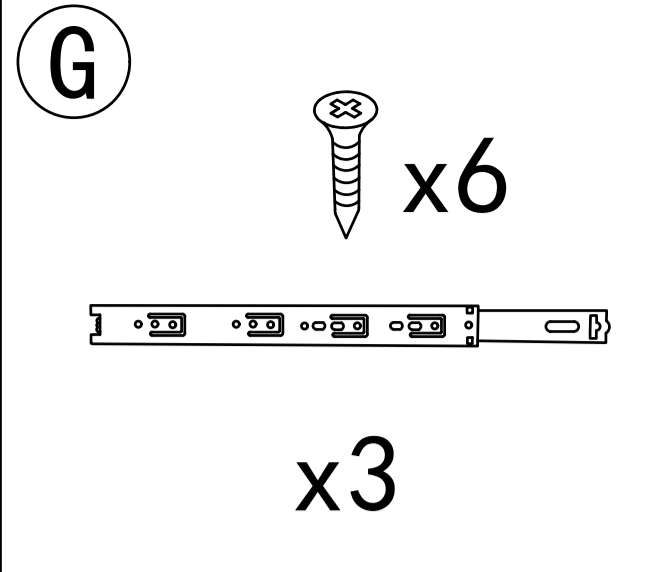
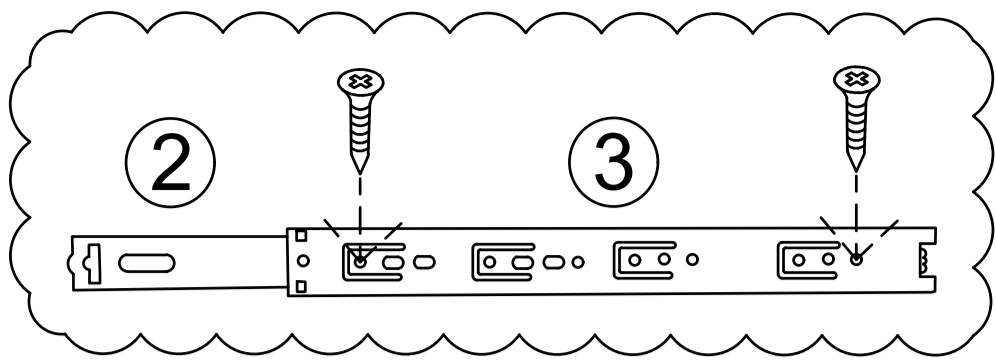
Step 12



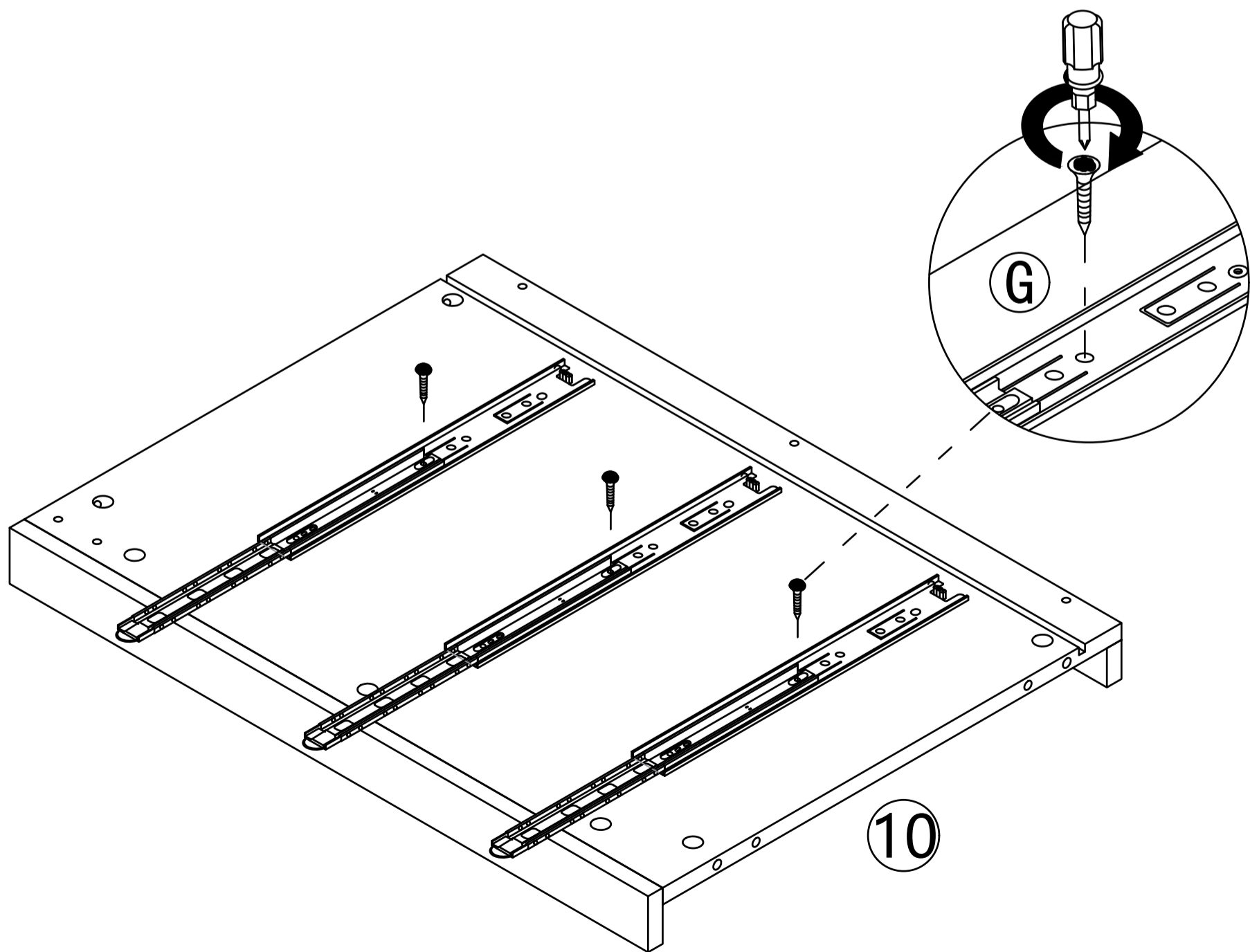
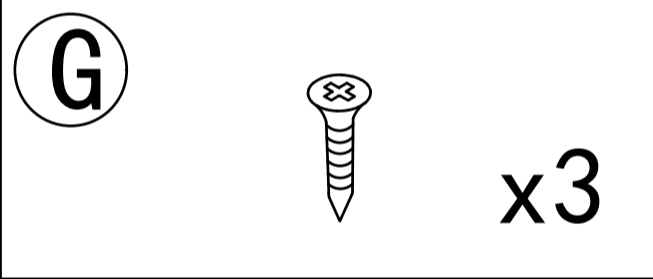
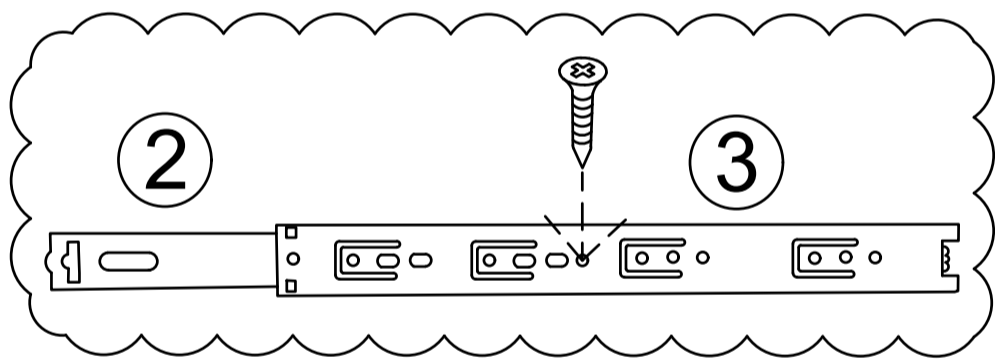
Step 13



Step 14

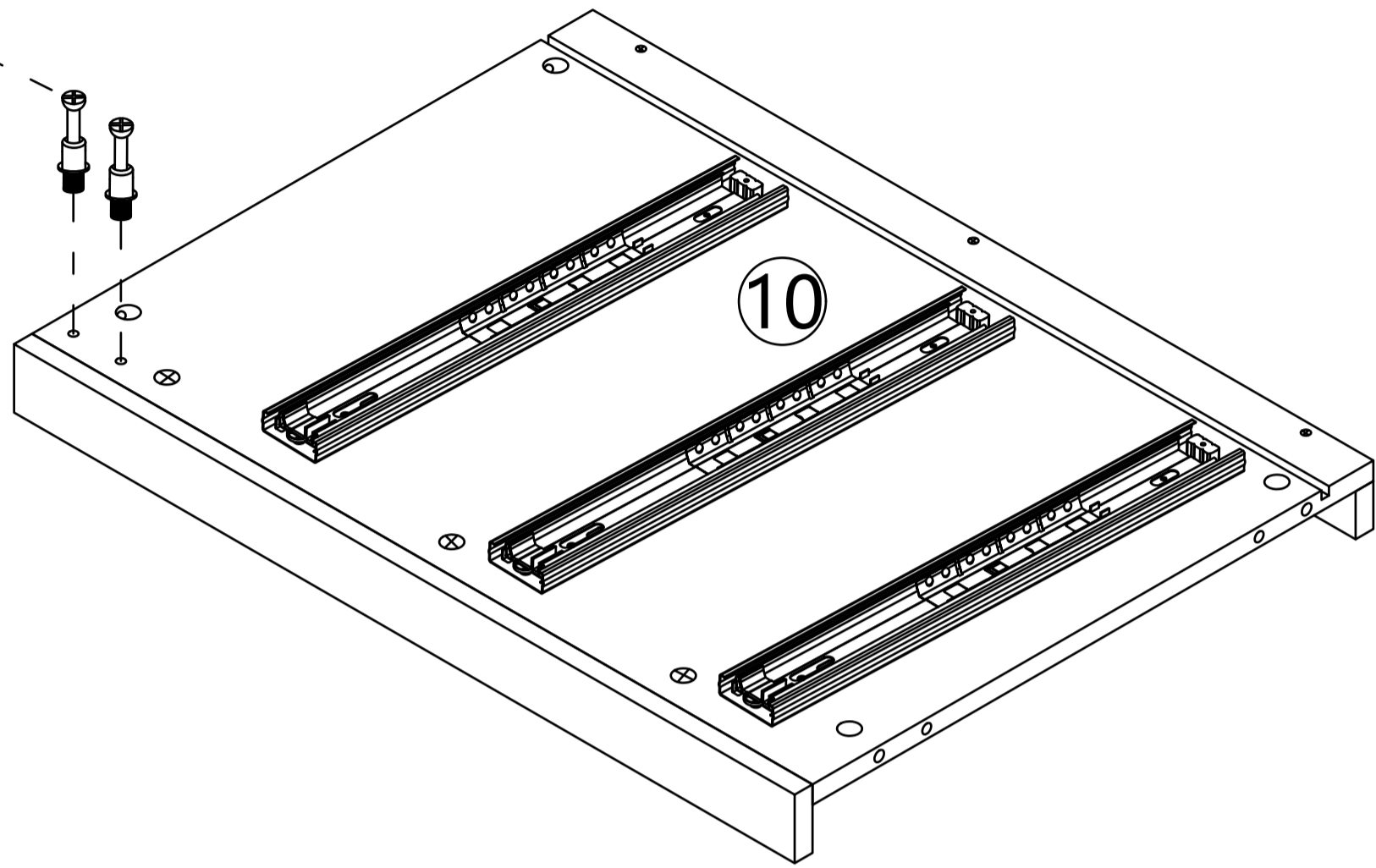
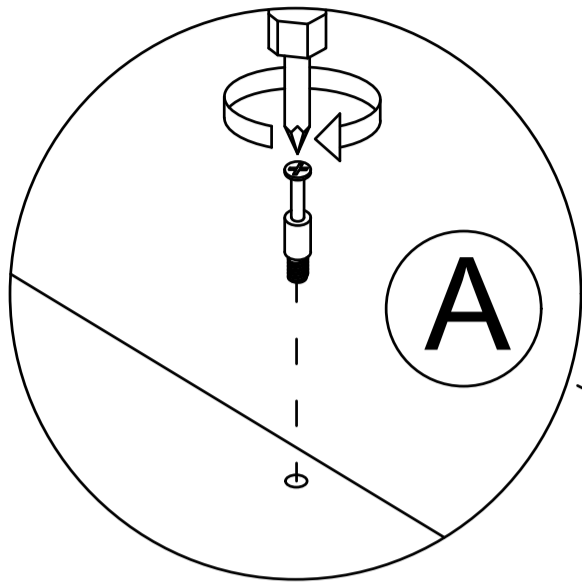
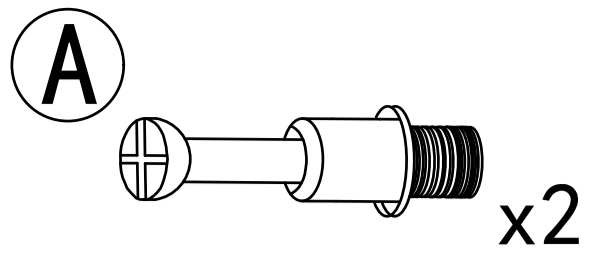


Step 15

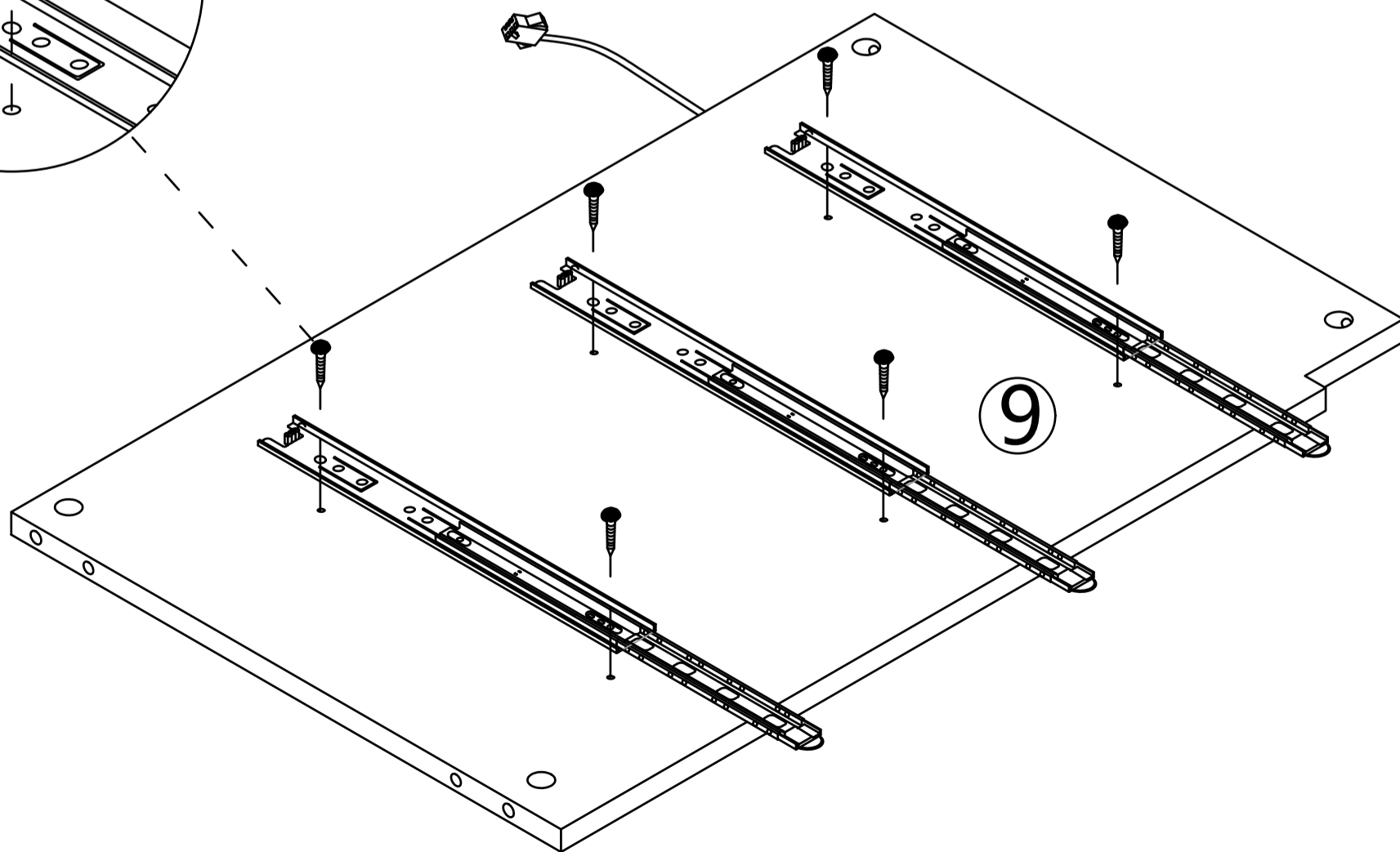
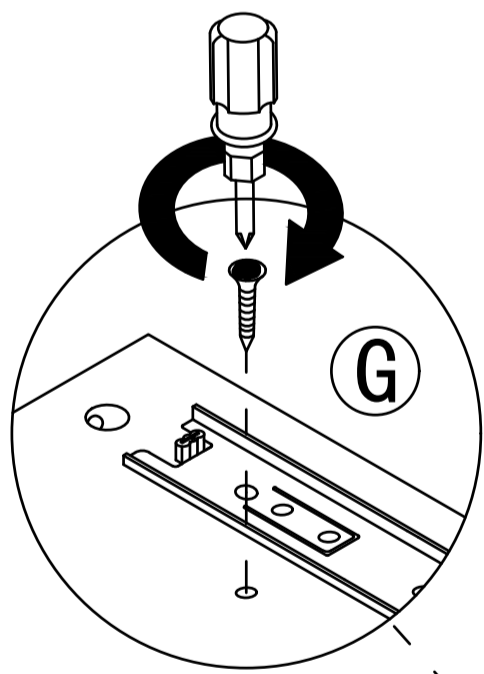
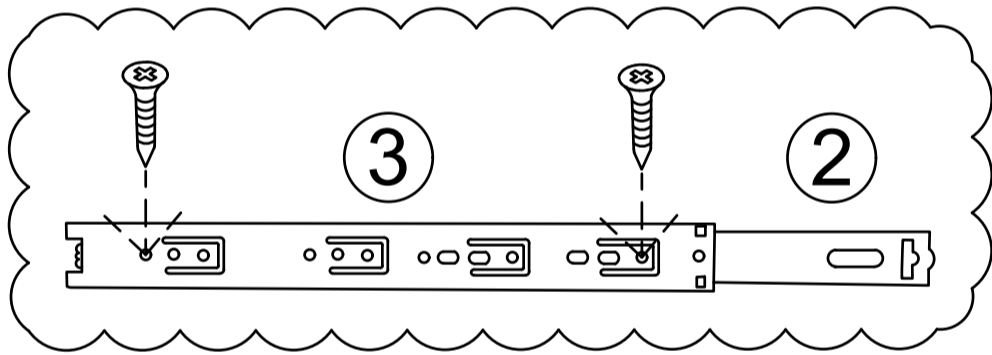
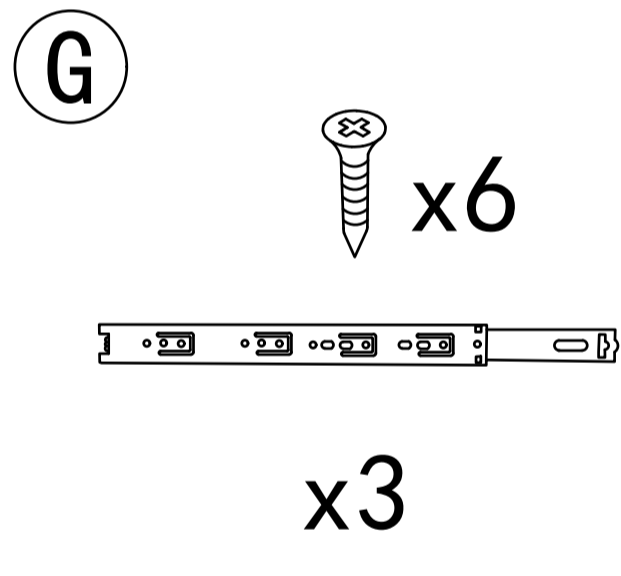


This hole is a rail fixing hole and can be installed as needed

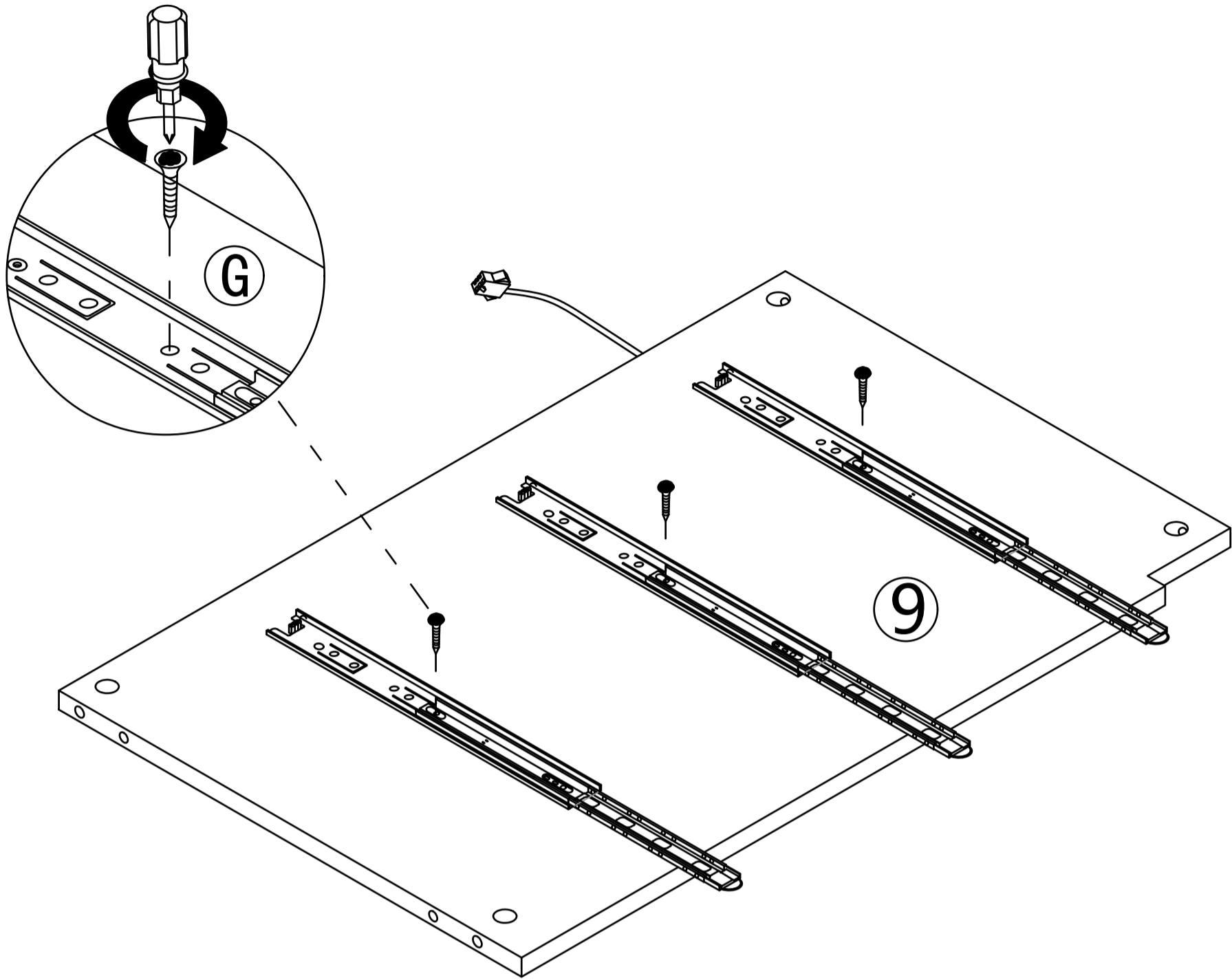
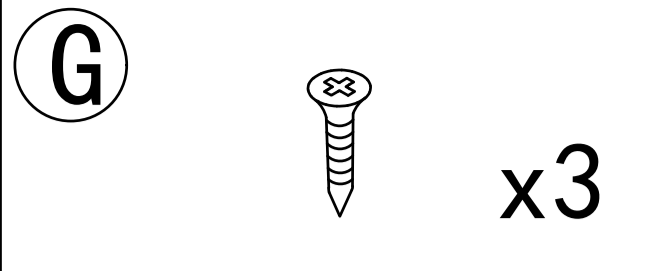
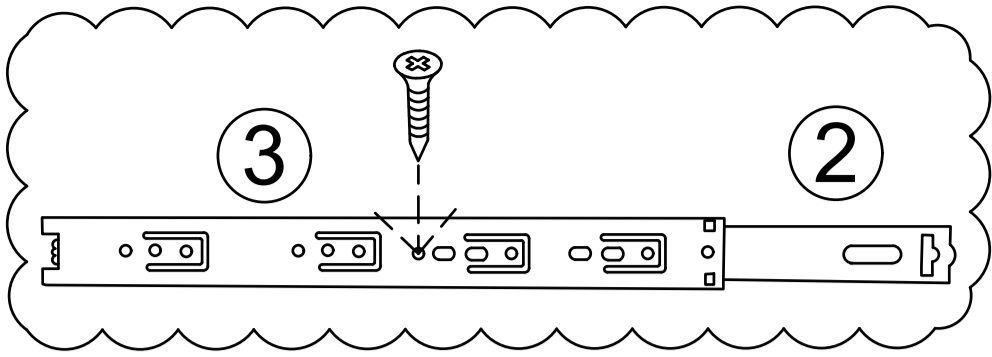
Step 16



Step 17

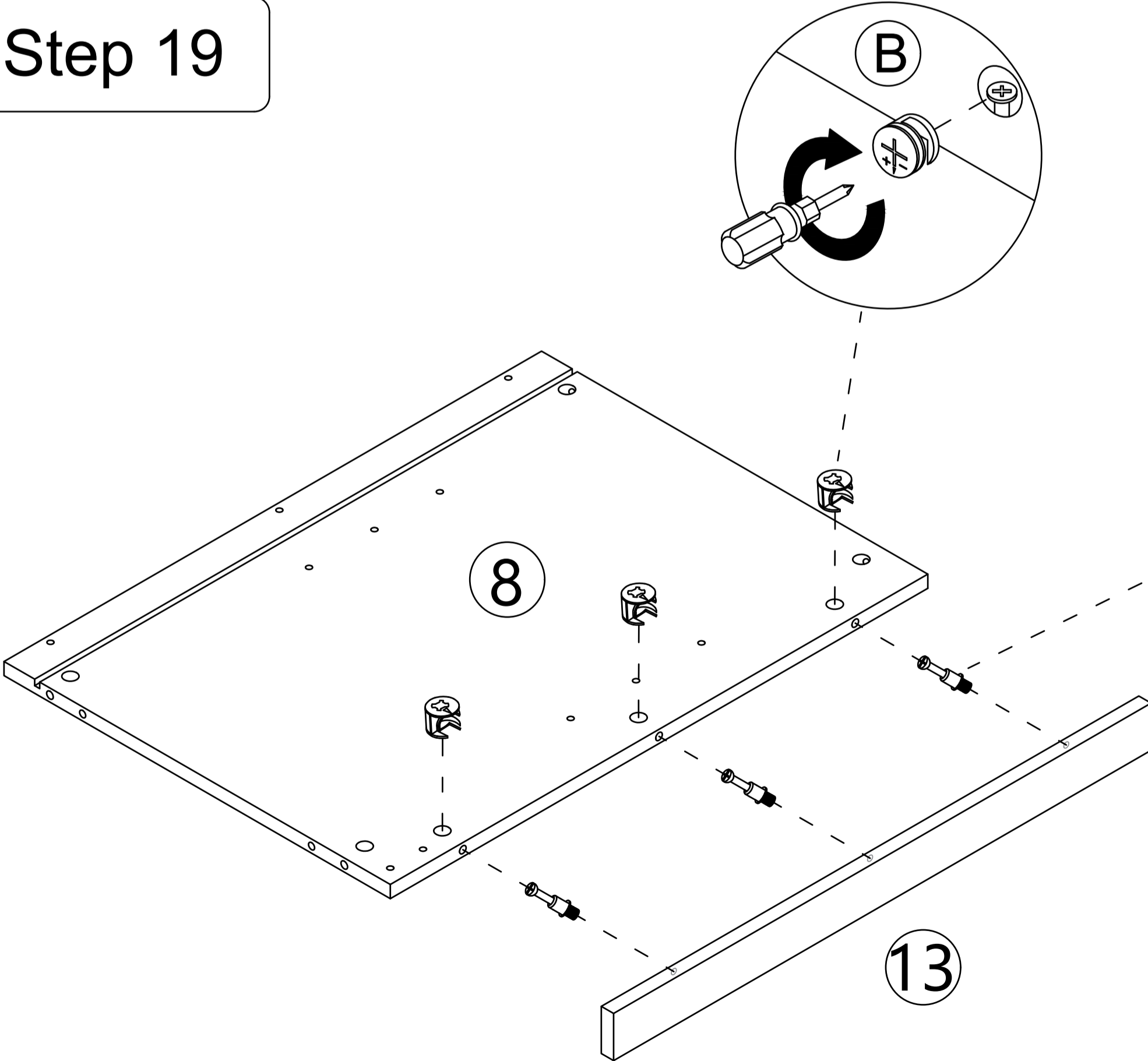
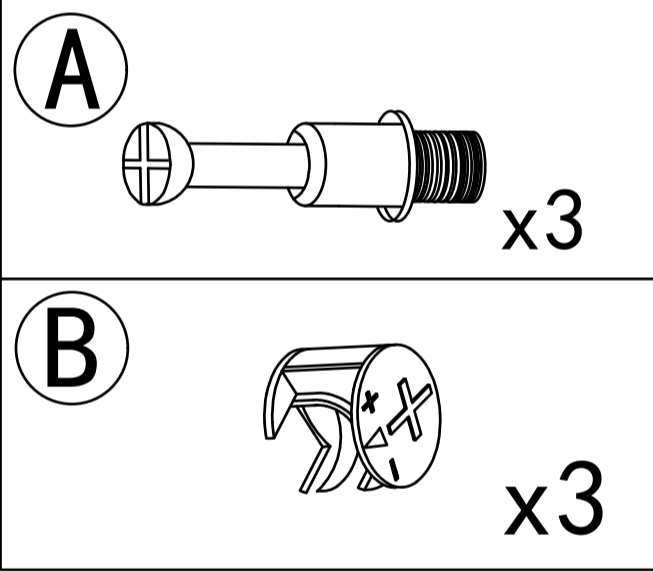


Step 18

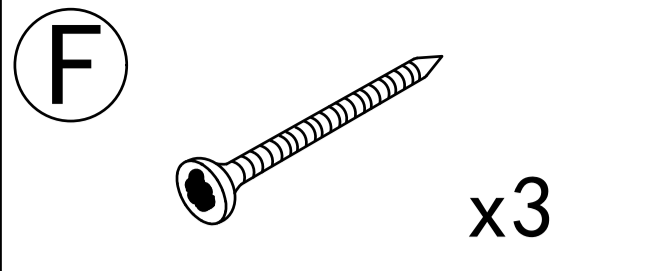
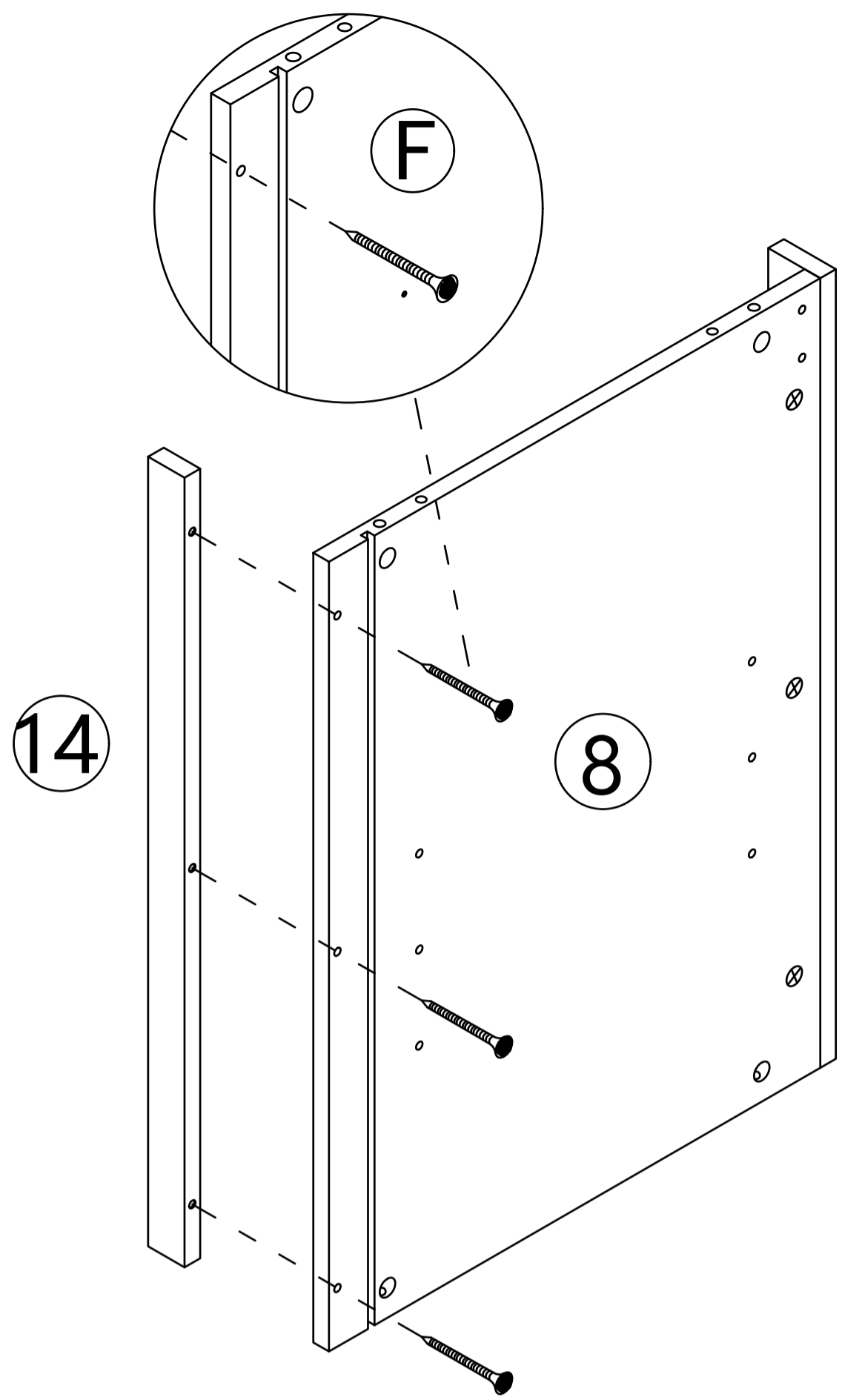


This hole is a rail fixing hole and can be installed as needed

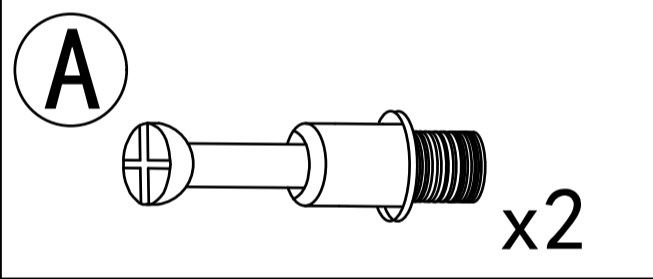
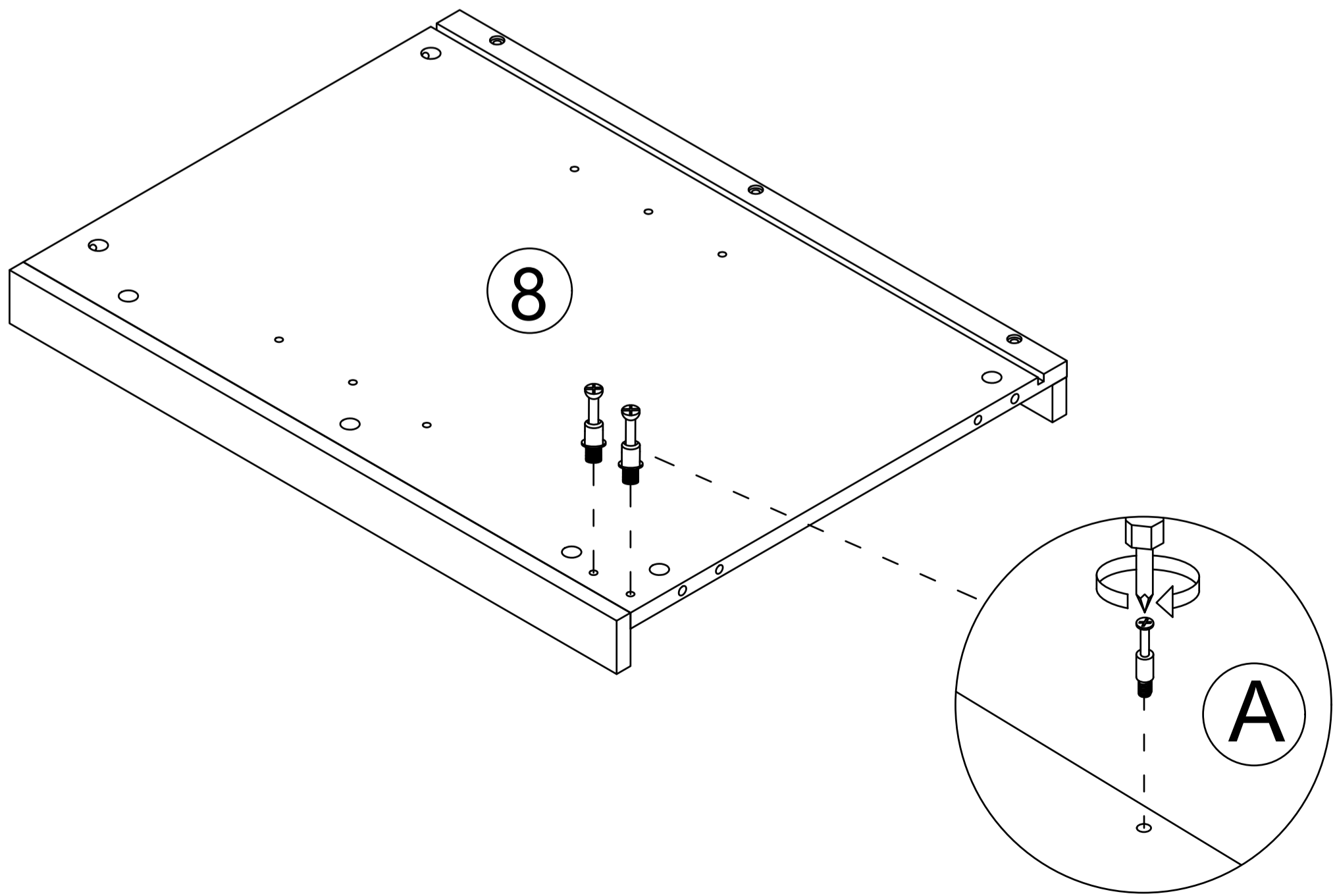
Step 19



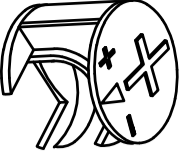
Step 20

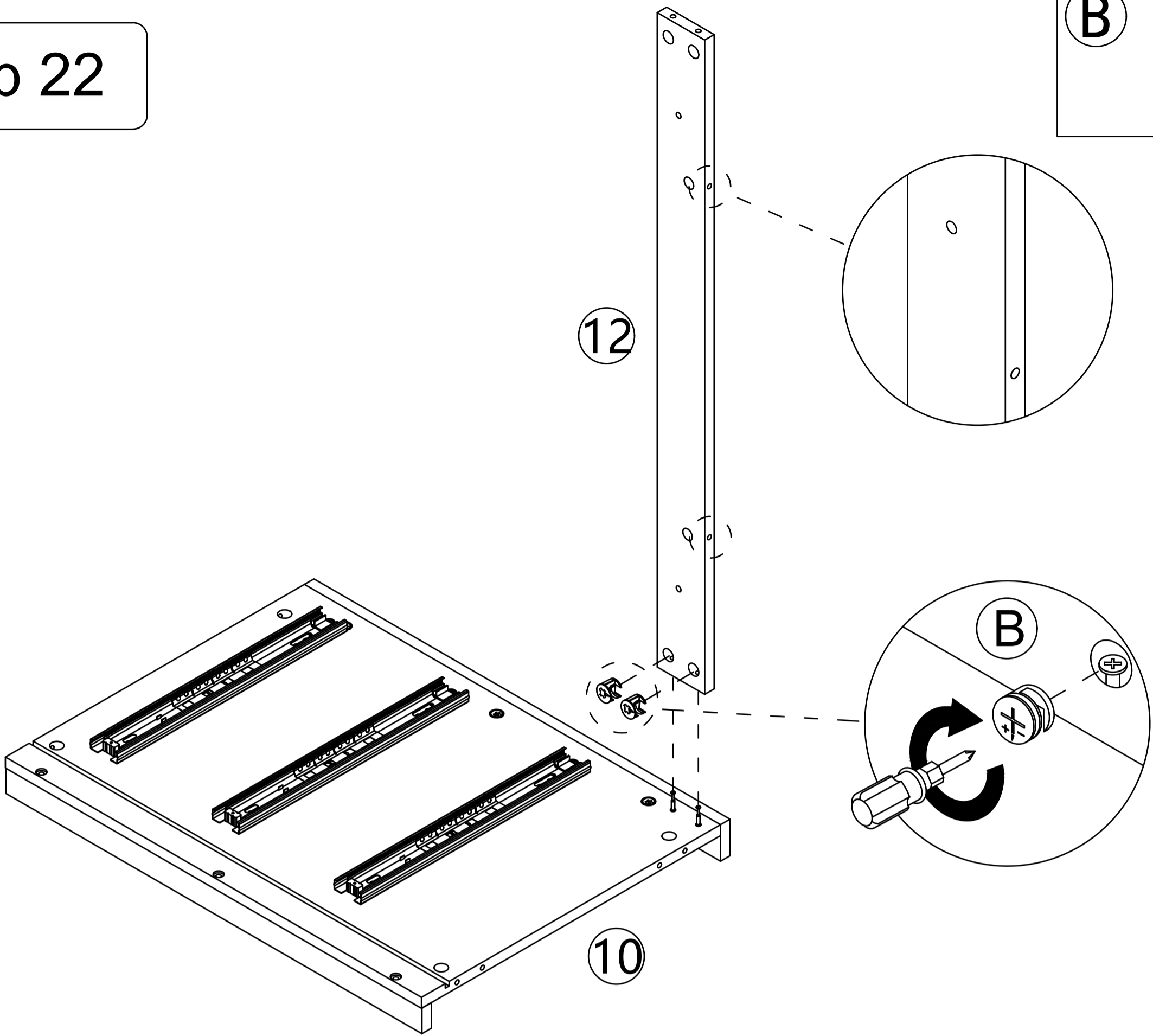


Step 21




Step 22

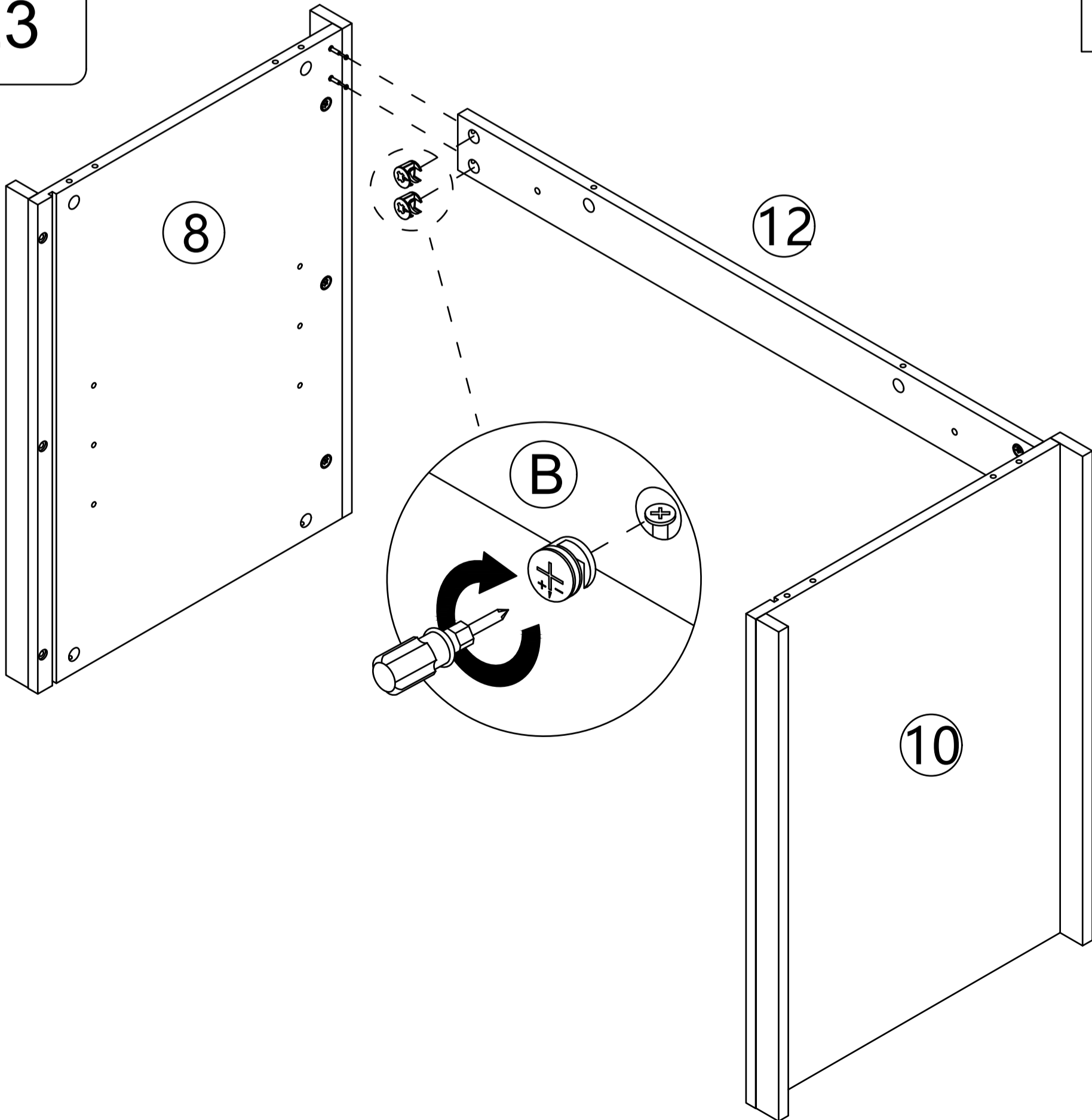
B  x2




Attention: The hole on board 12 faces outward

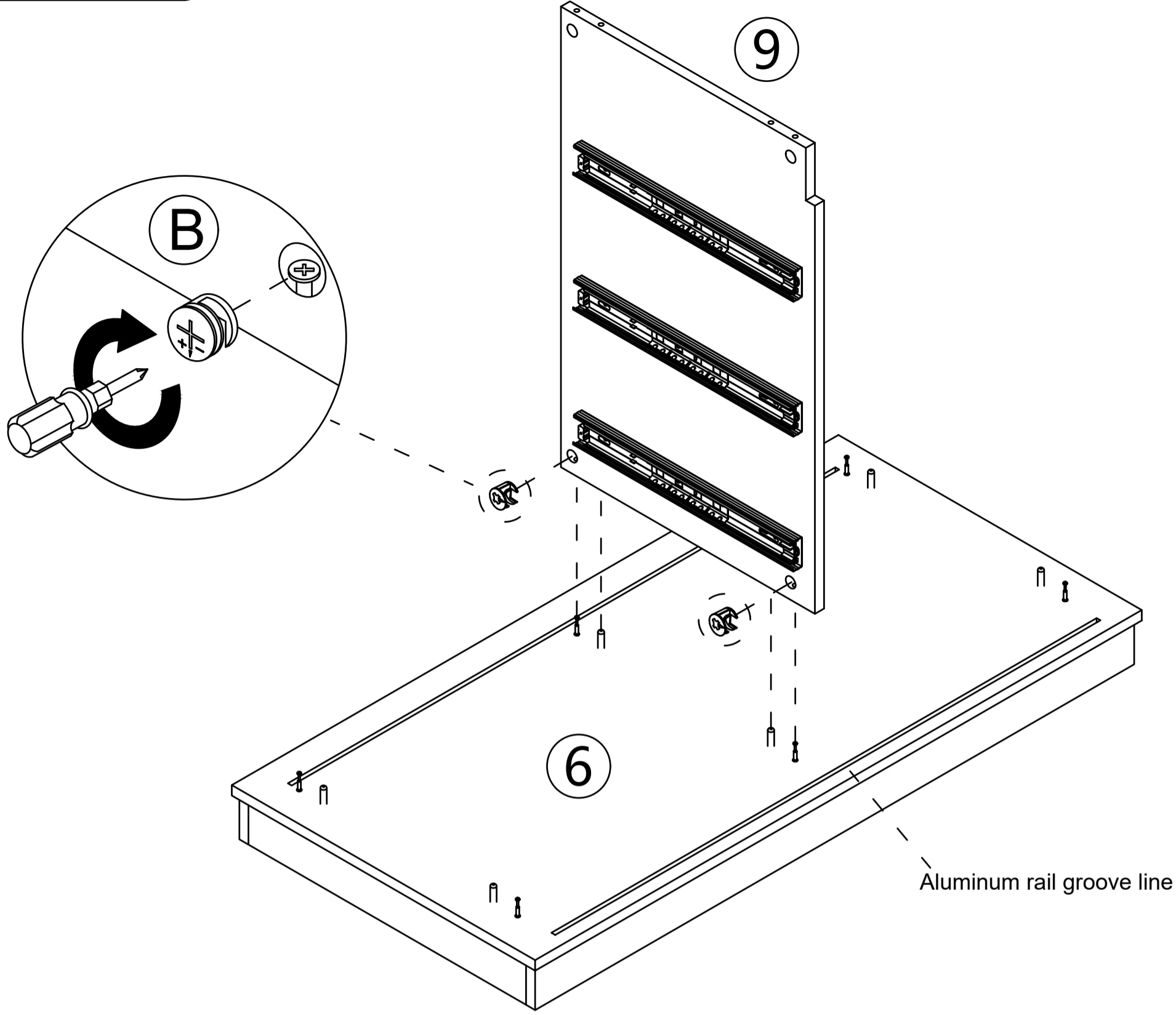
Step 23

B  x2

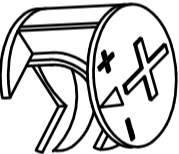


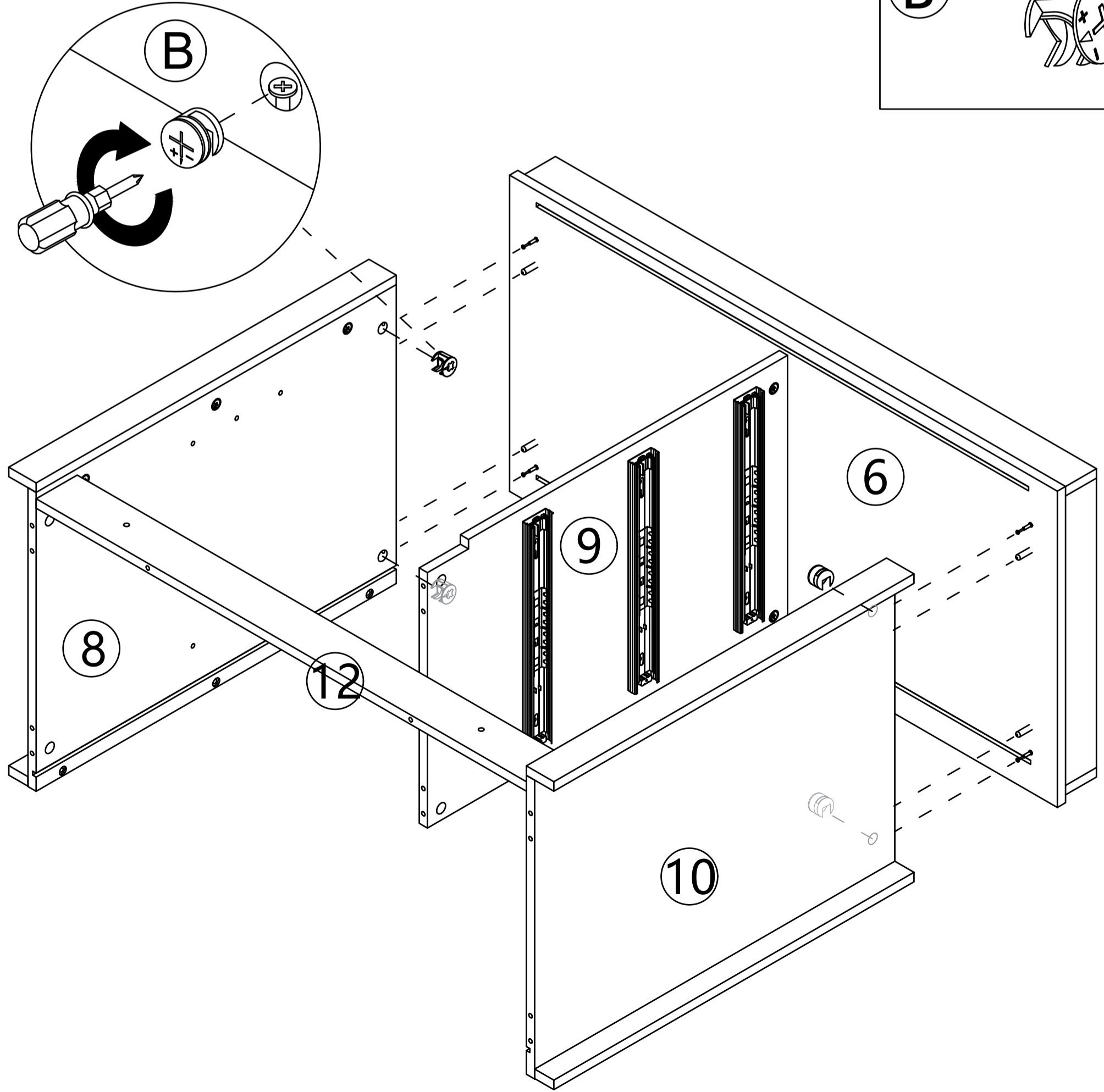
Step 24

B  x2




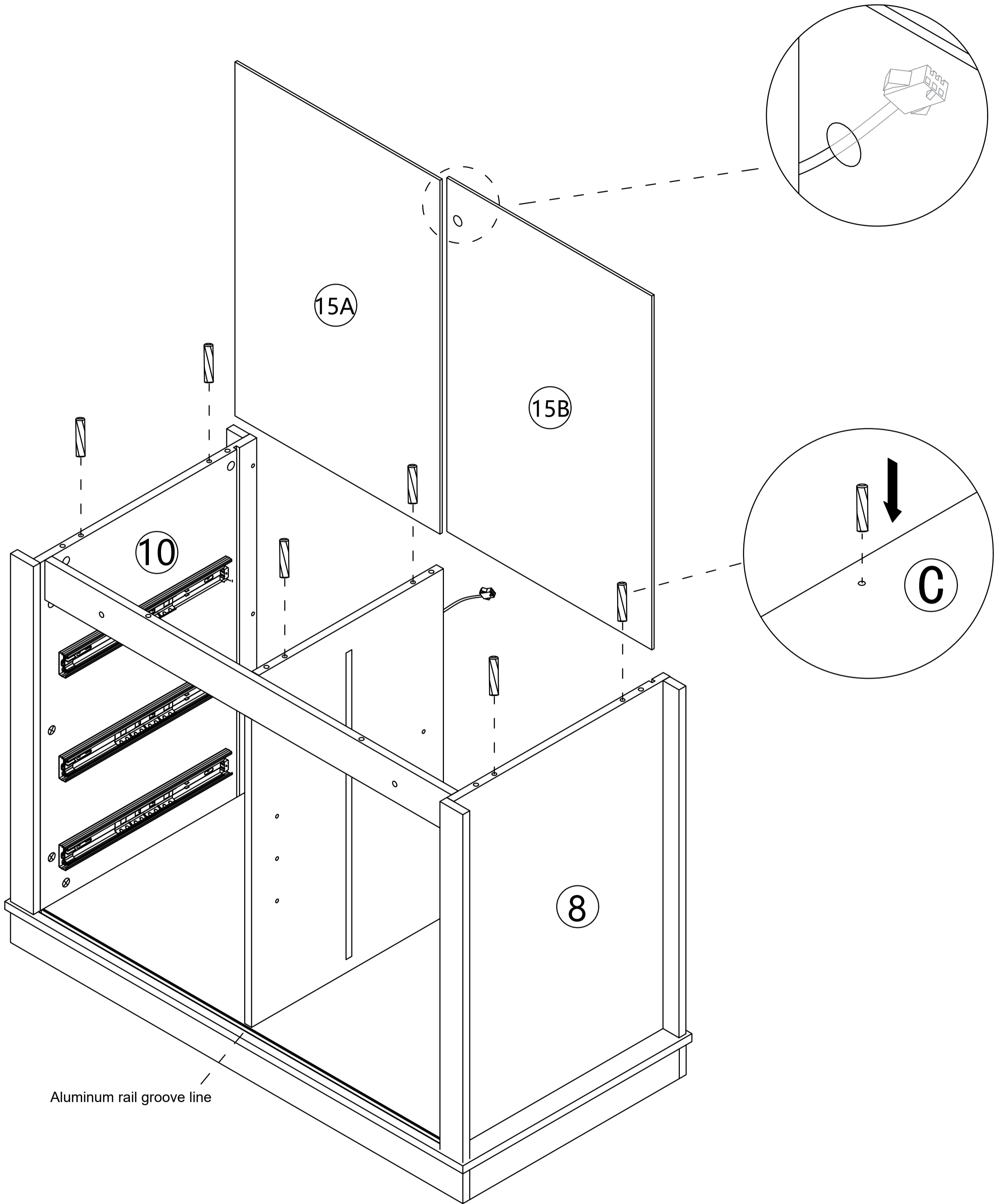
Step 25

B  x4

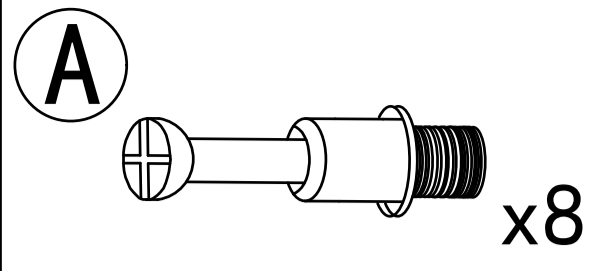
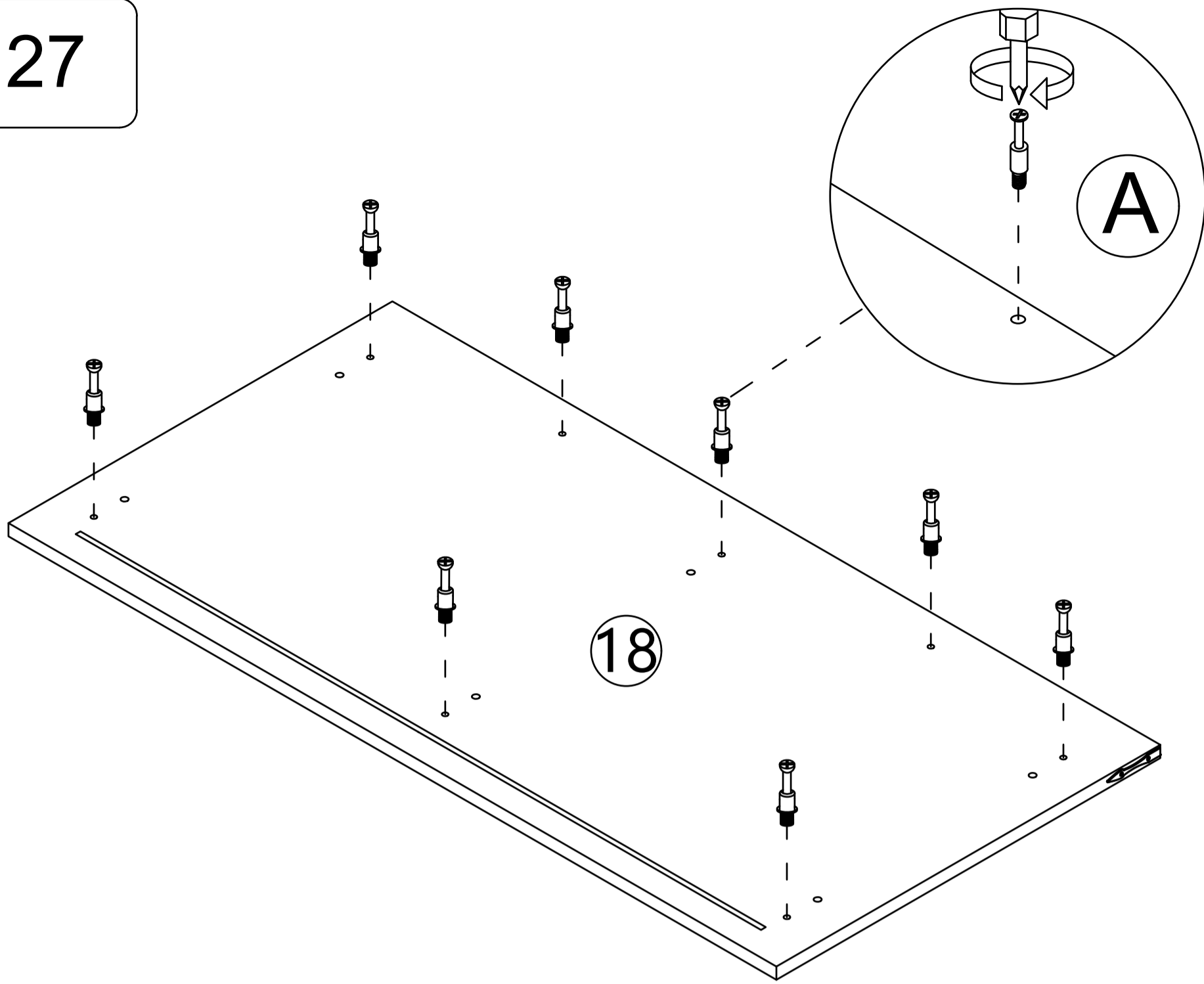


Step 26

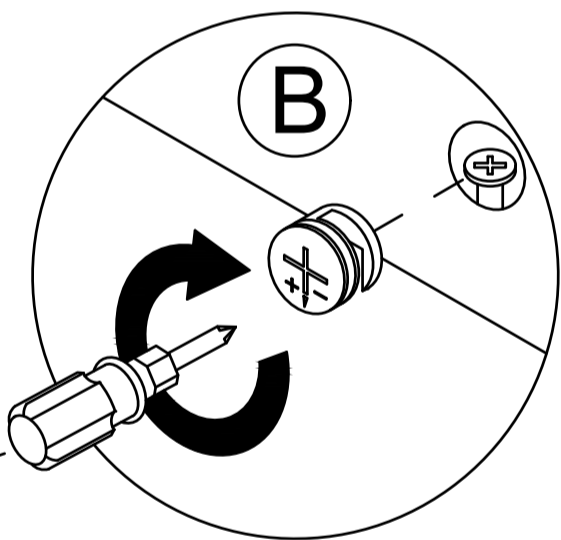
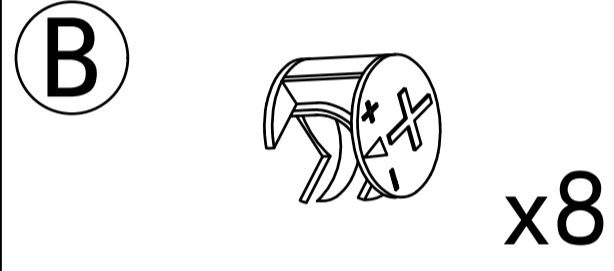
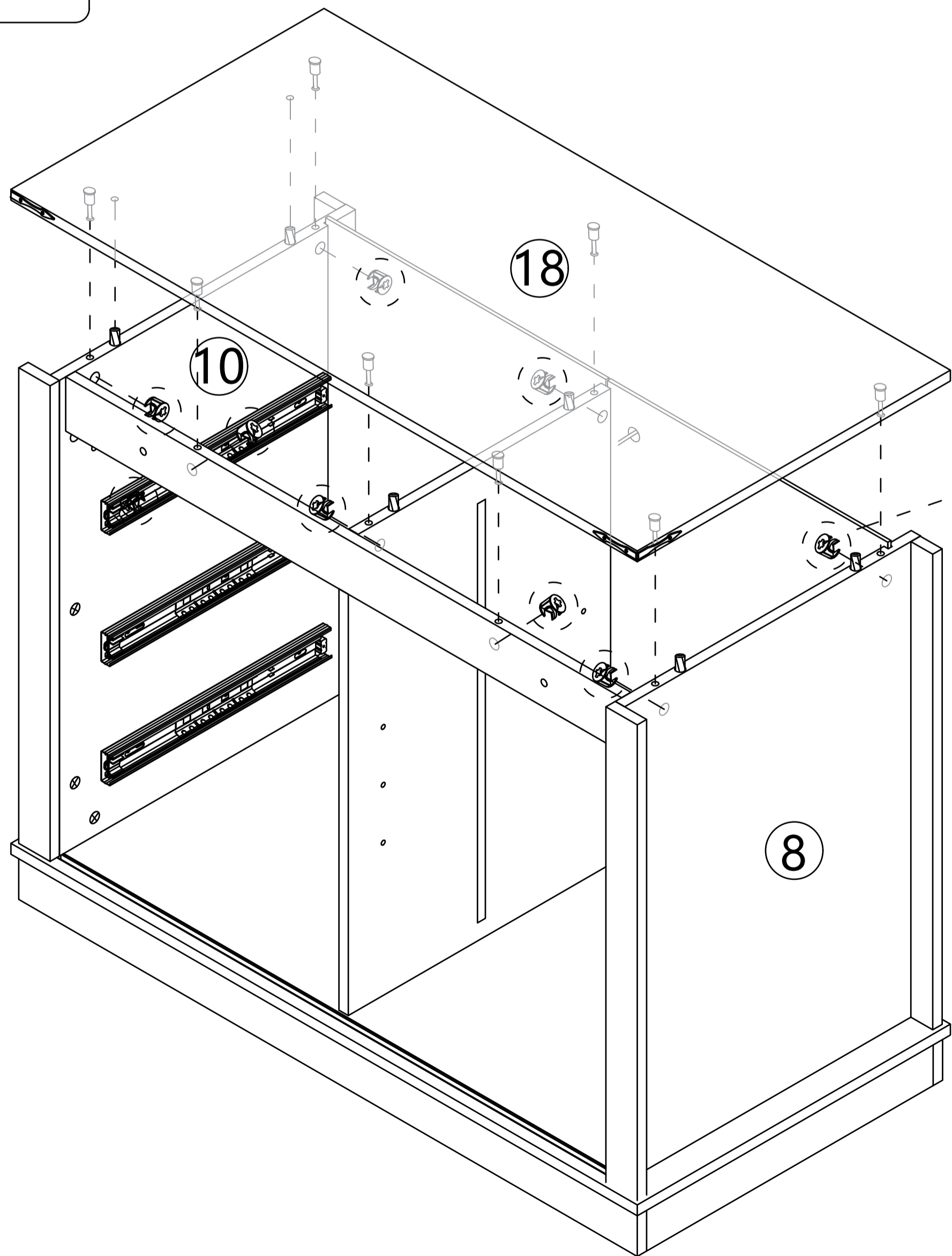
C  x6



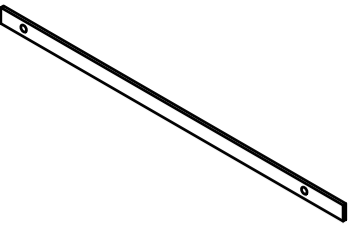
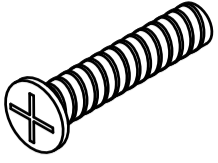
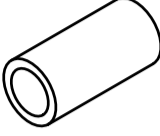
Step 27

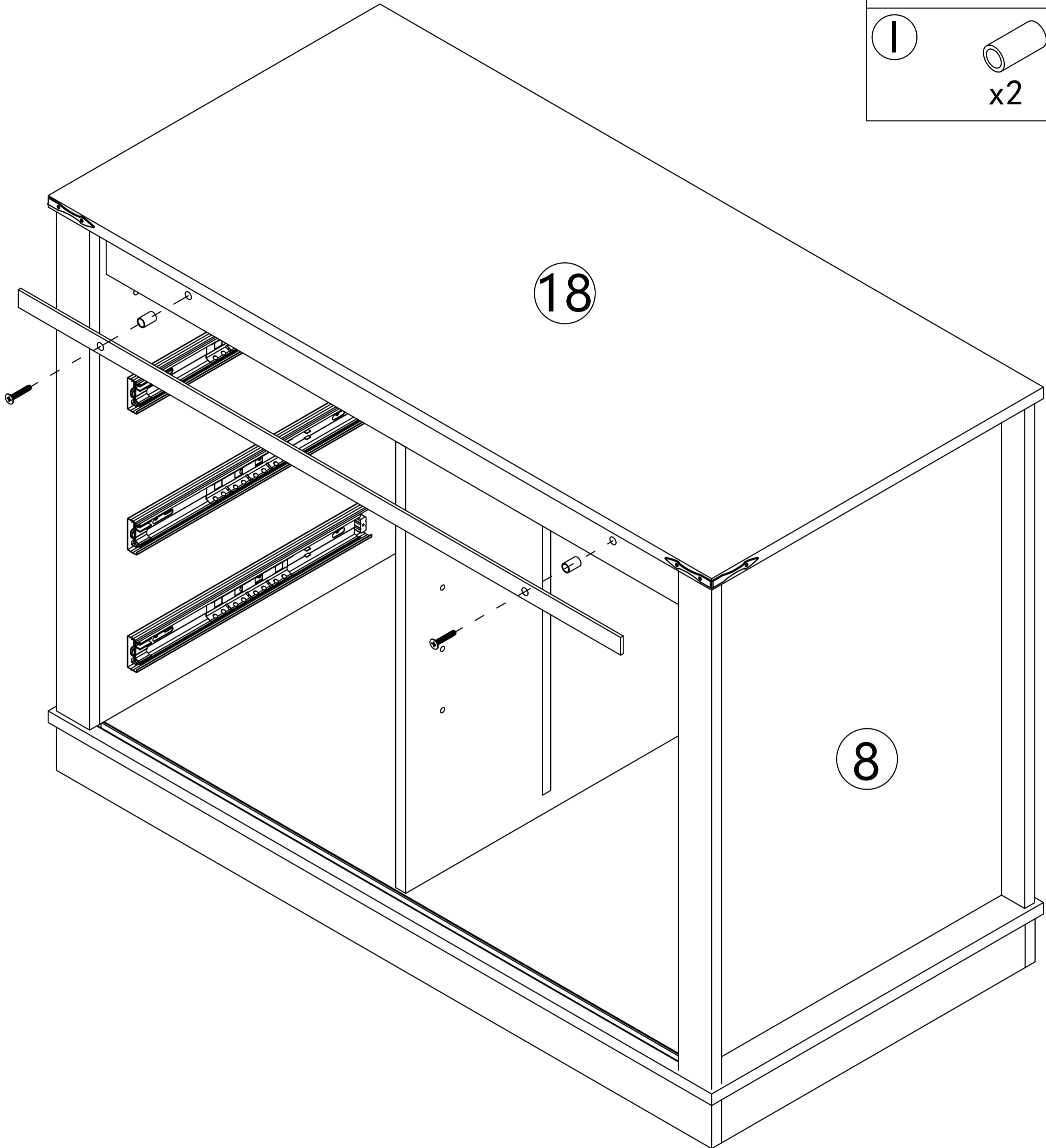


Step 28

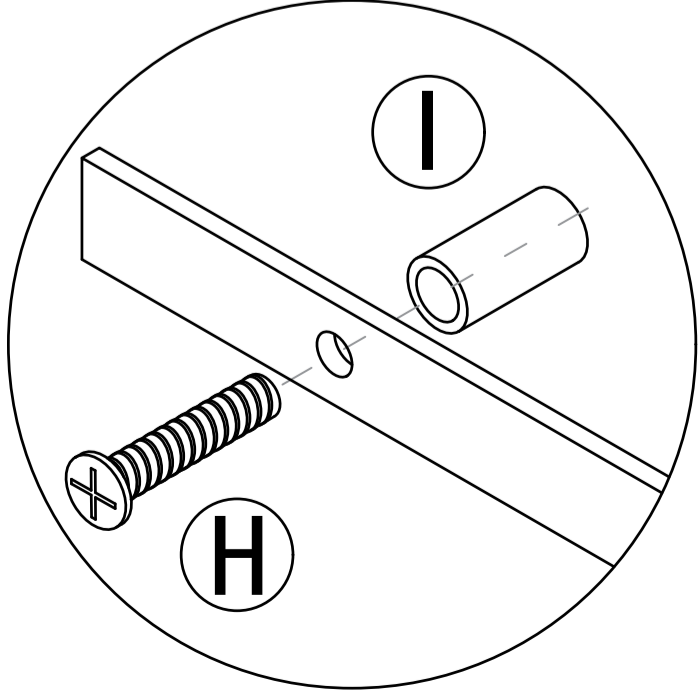


Step 29

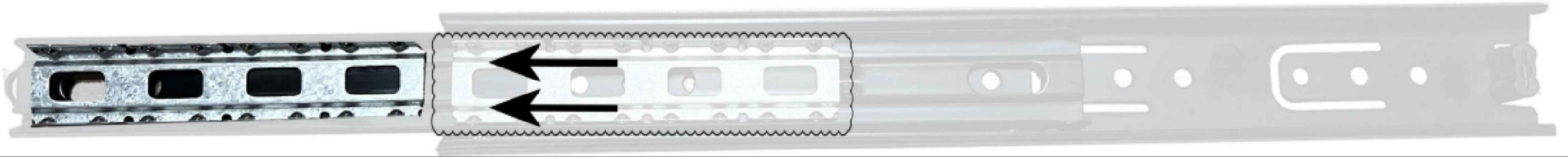
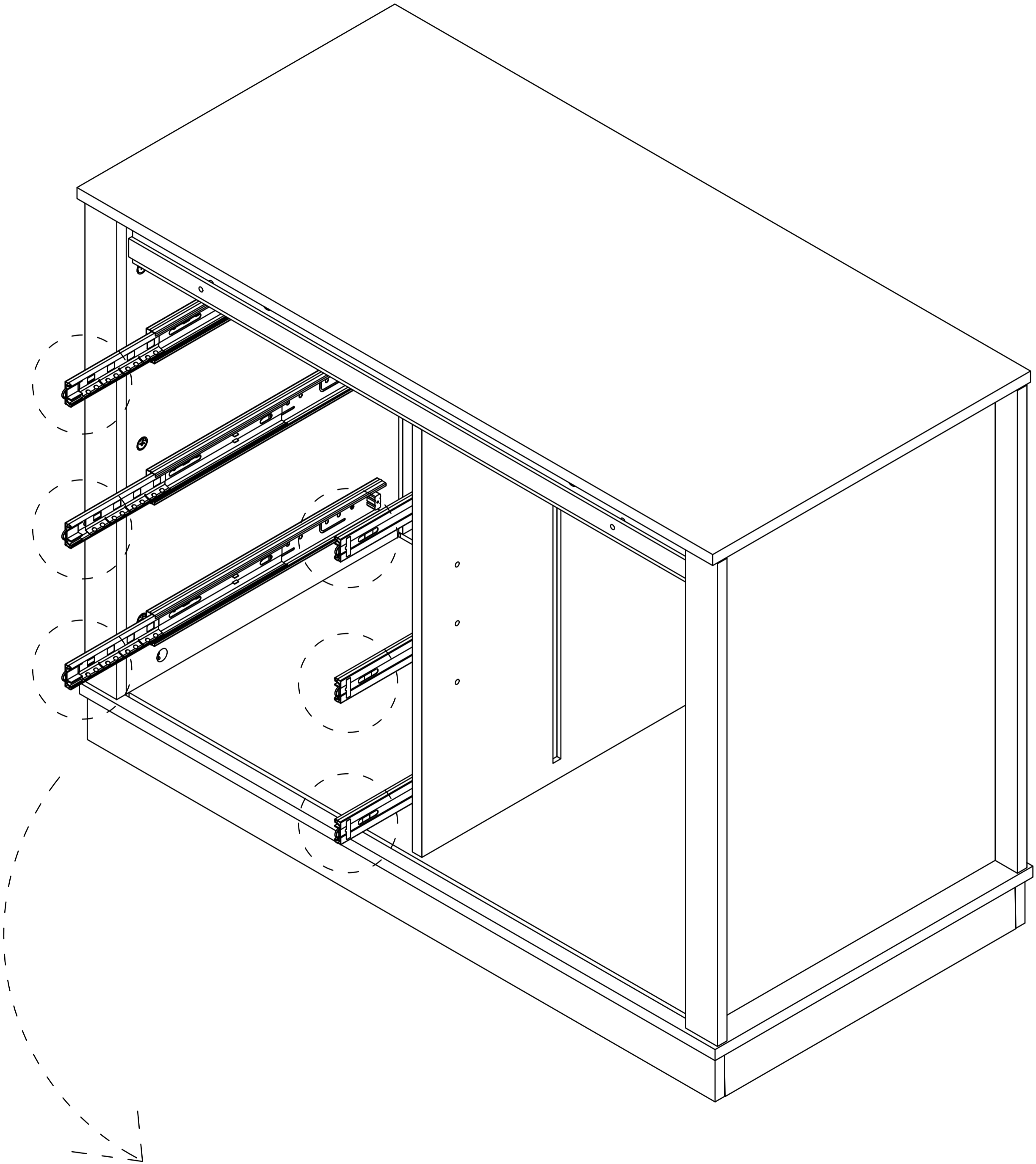
45	
H	 x2
I	 x2



The screw is threaded through the iron guide rail, then through the iron pipe, and then installed in place

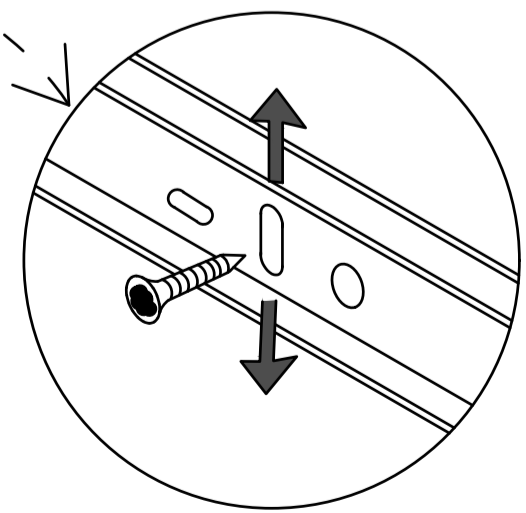
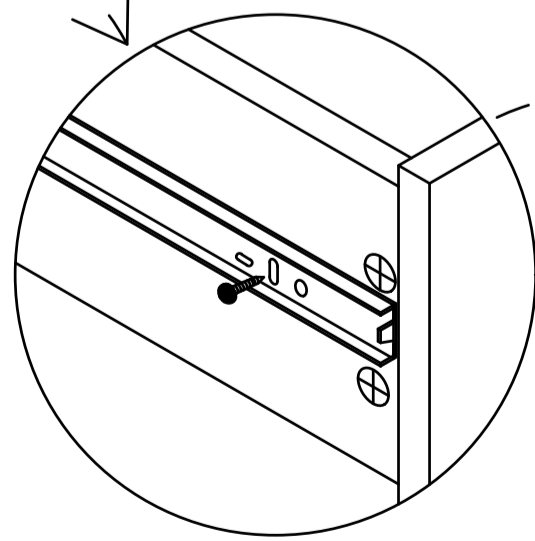
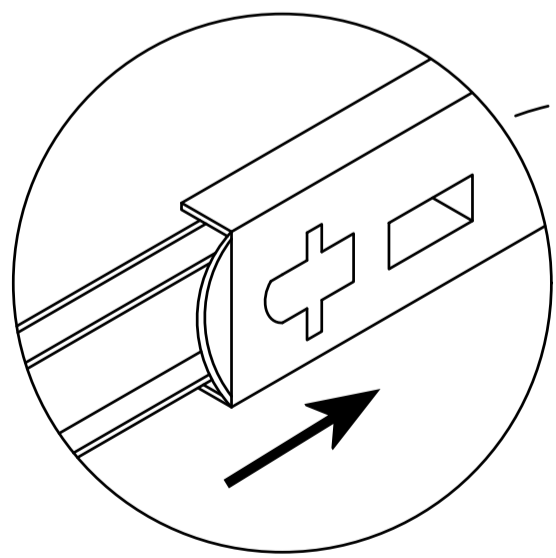
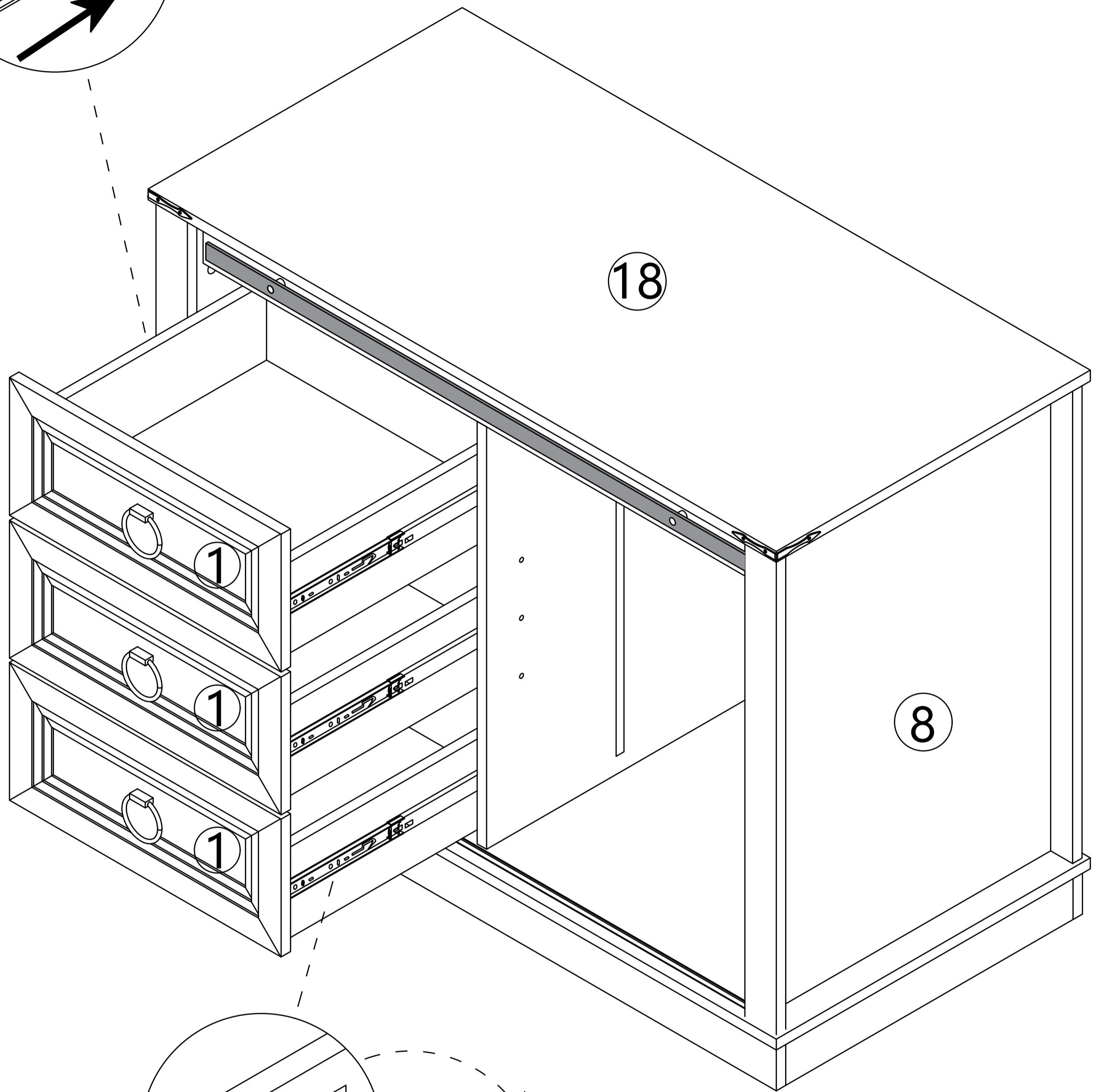
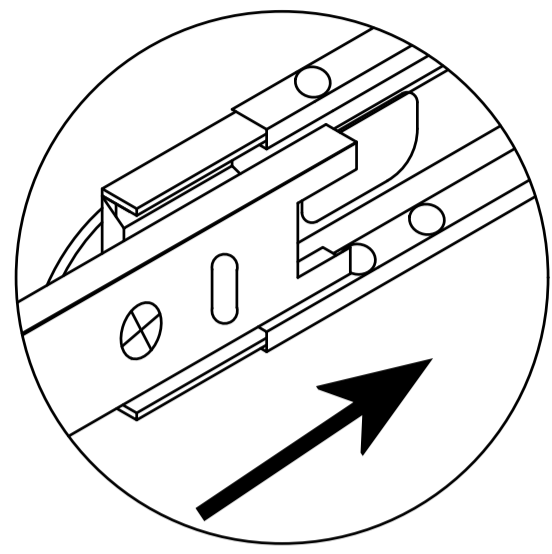


Step 30



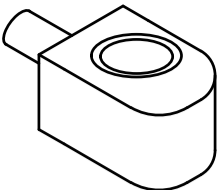
As shown, When installing the drawer, pull the guide rail out first, Slide beads are also pulled out.

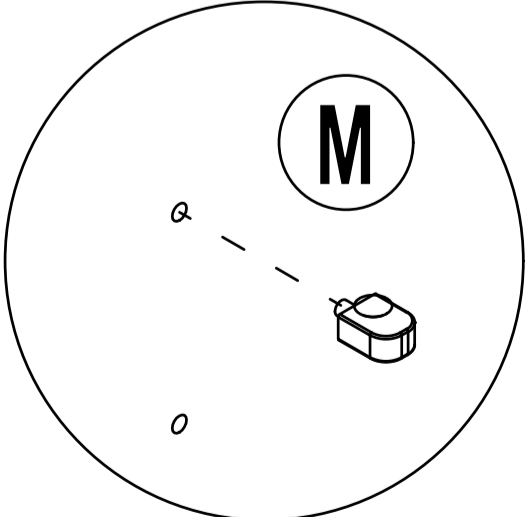
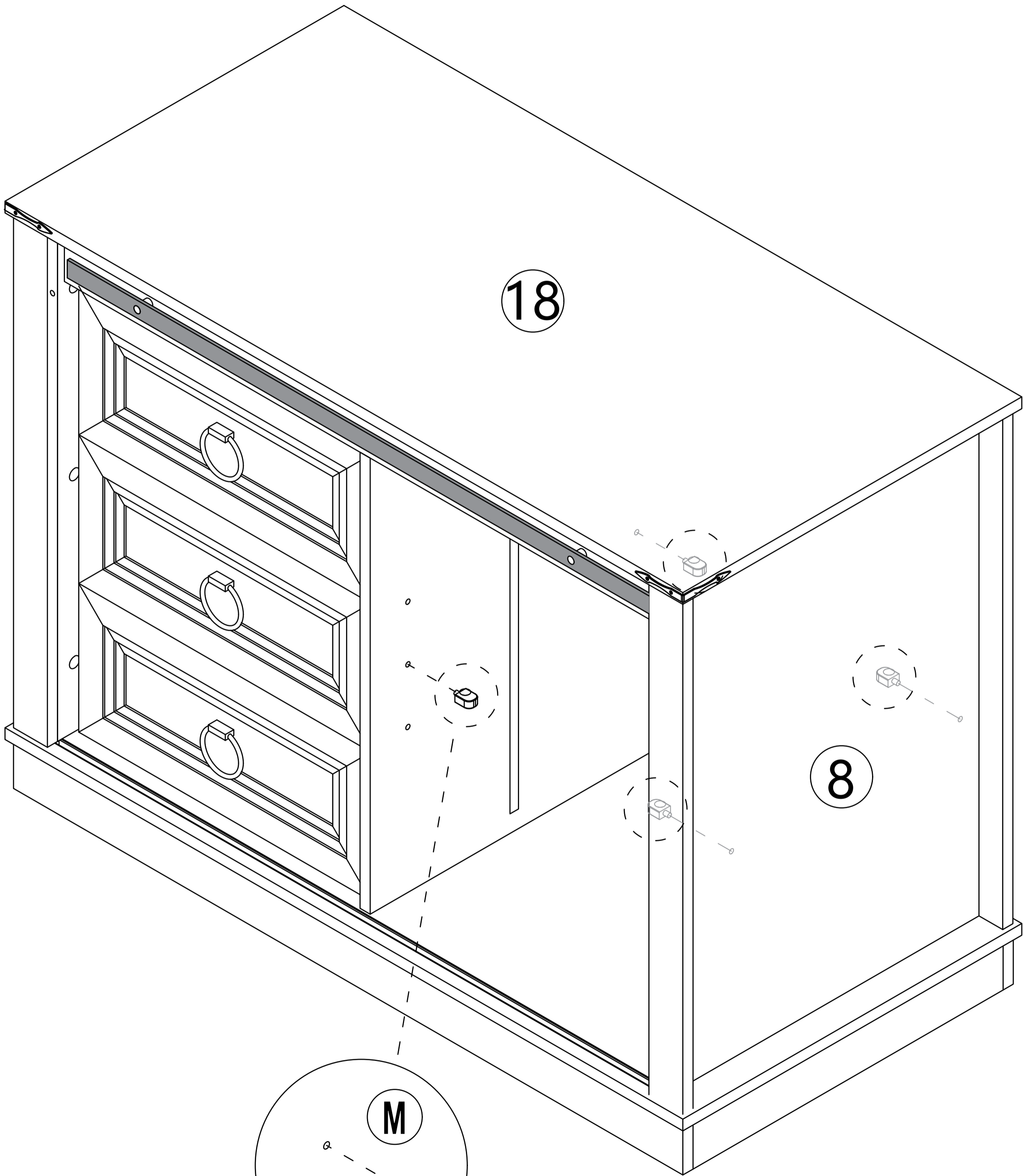
Step 31



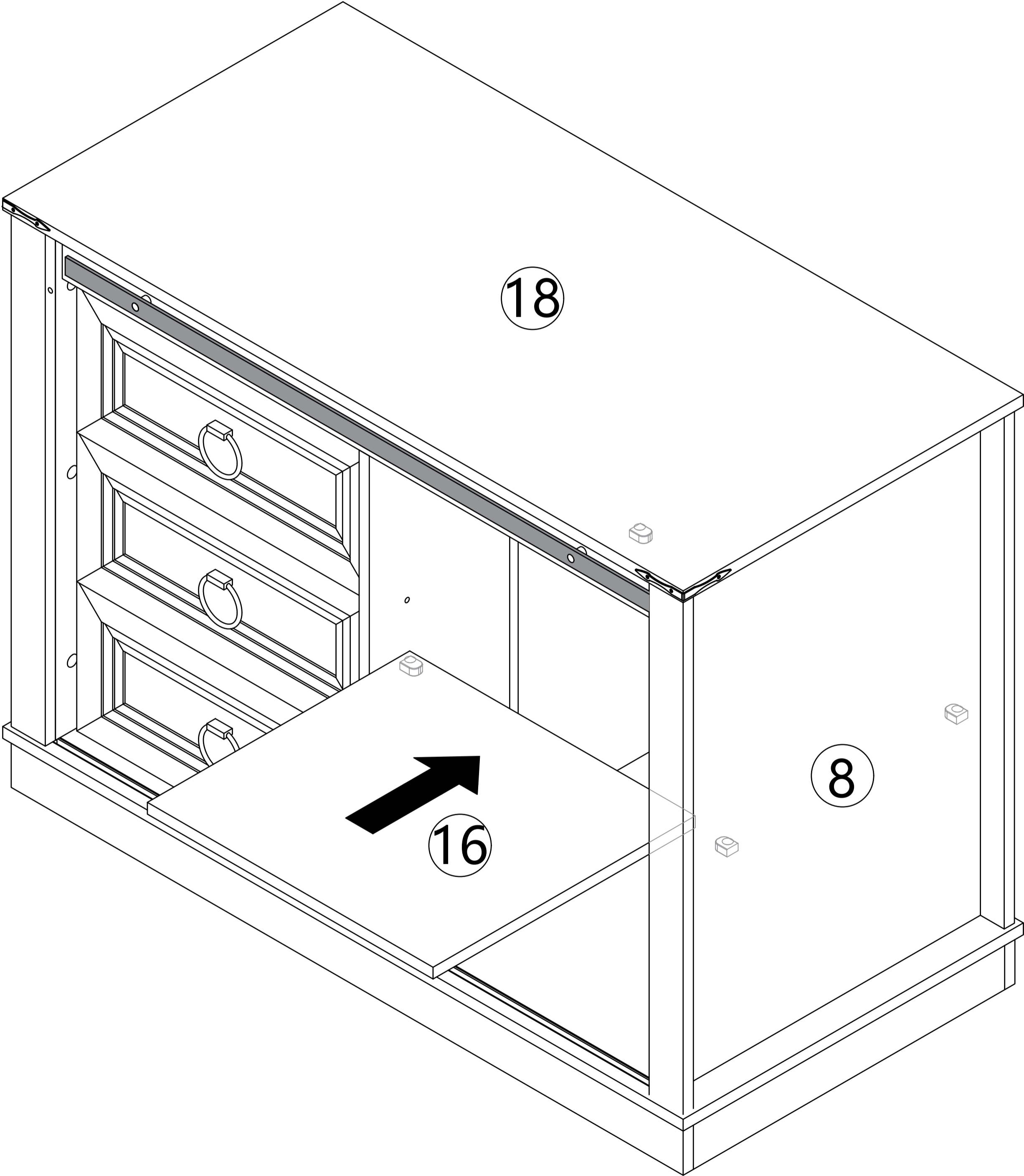
If a large gap is found after installing the drawer the slide rail can be moved up and down to adjust the gap

Step 32

M  x4

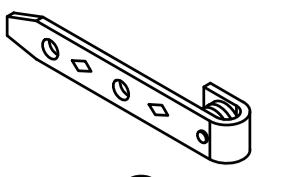


Step 33



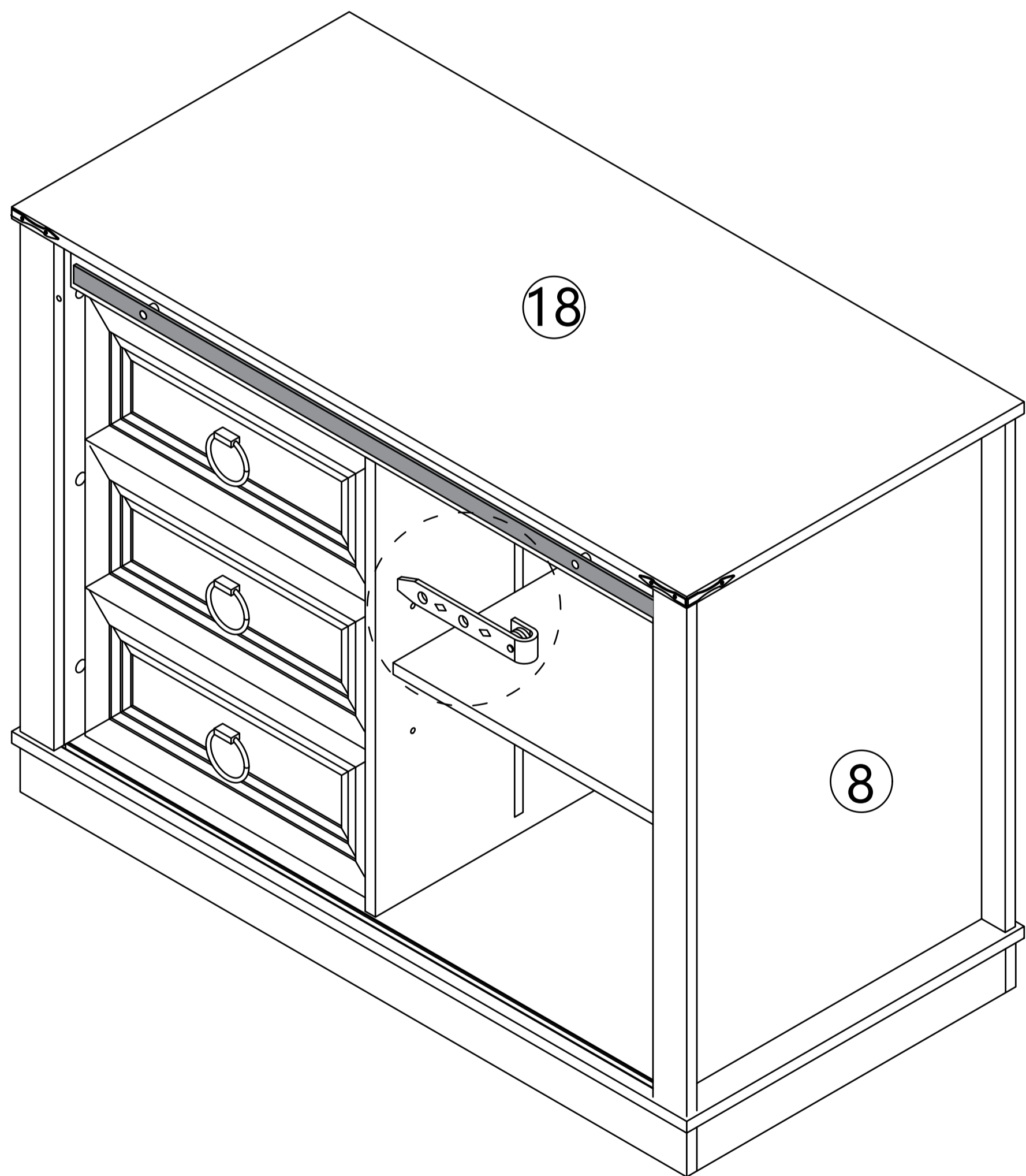
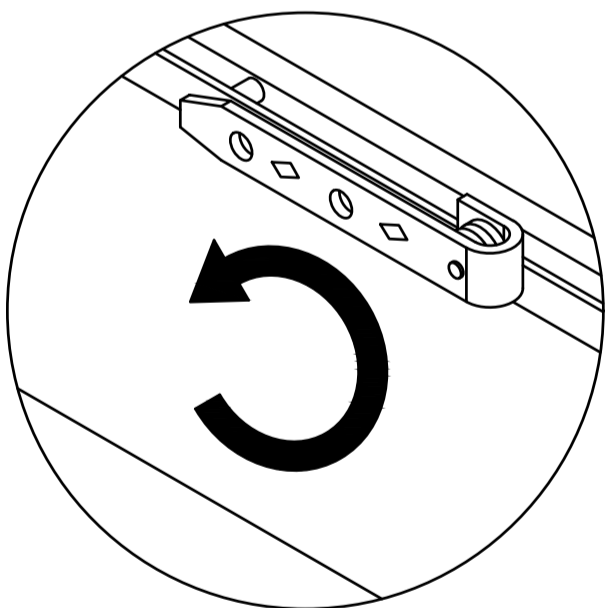
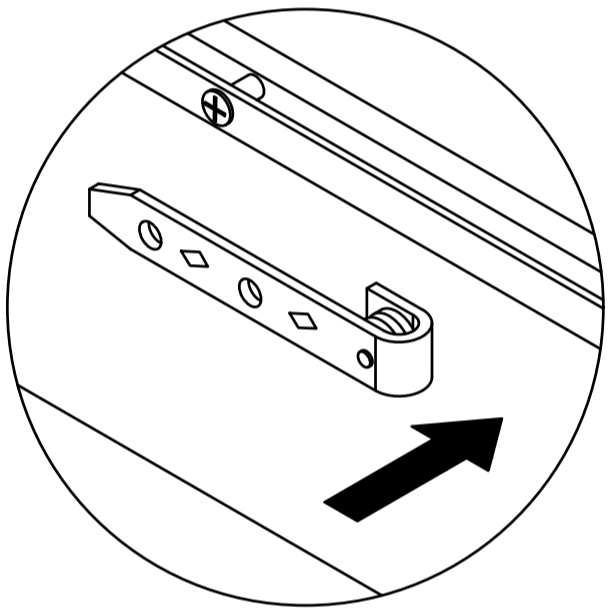
Step 34

1

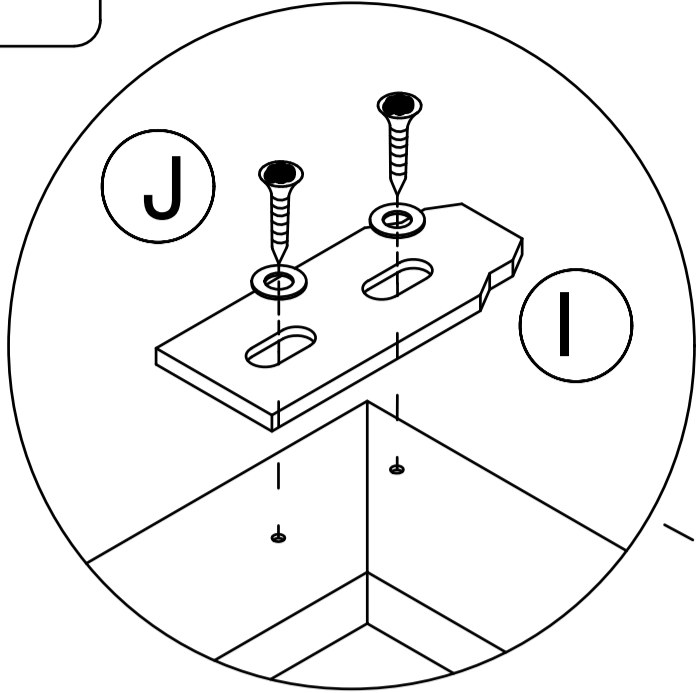


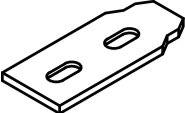
x2



Hang the guide rail hook horizontally on the guide rail iron bar and make it vertical





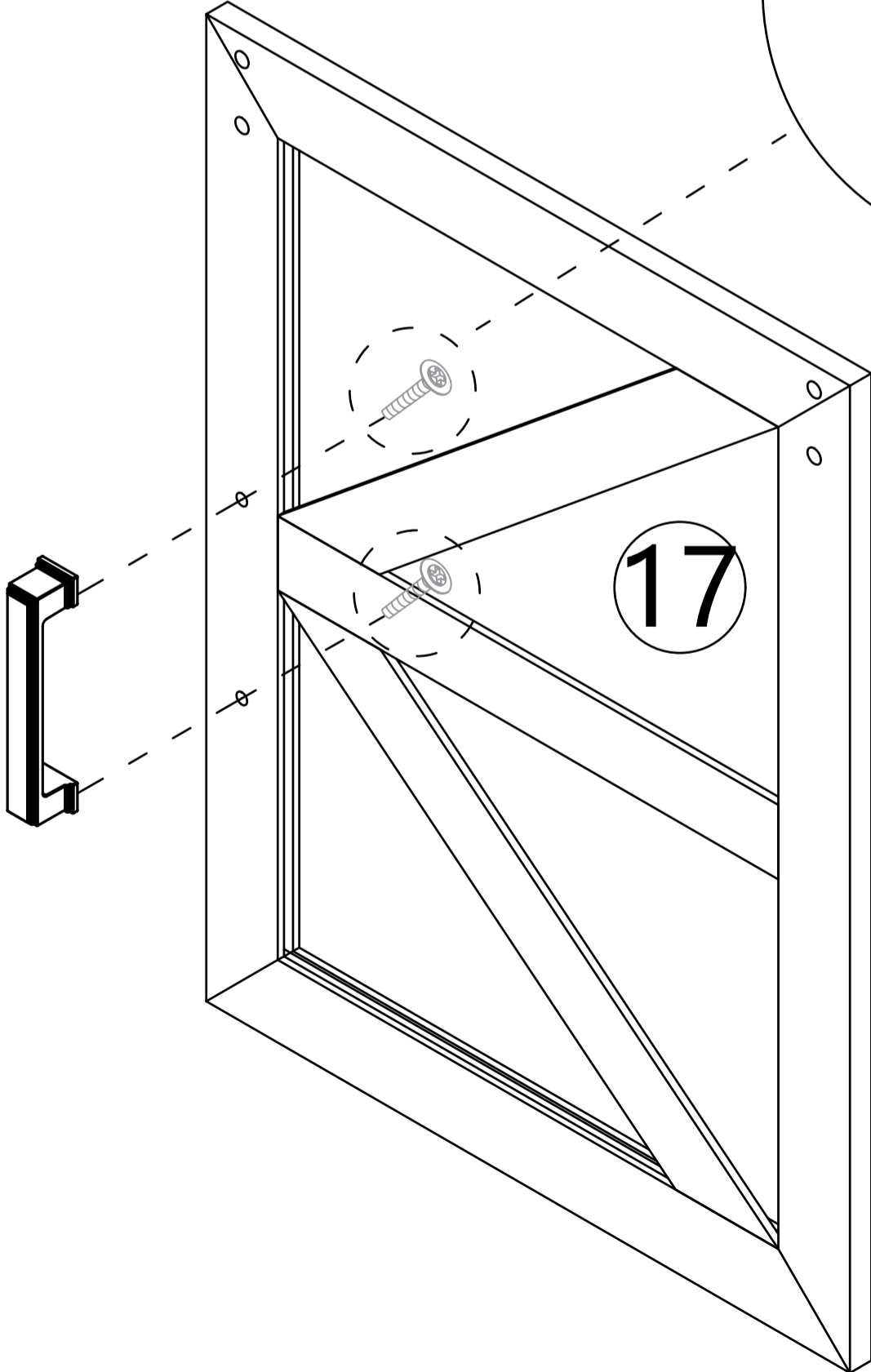
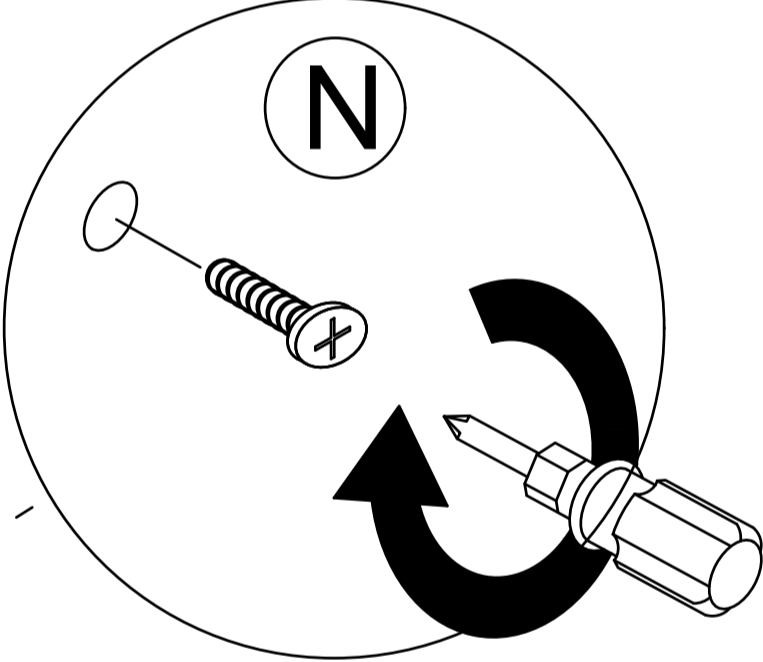
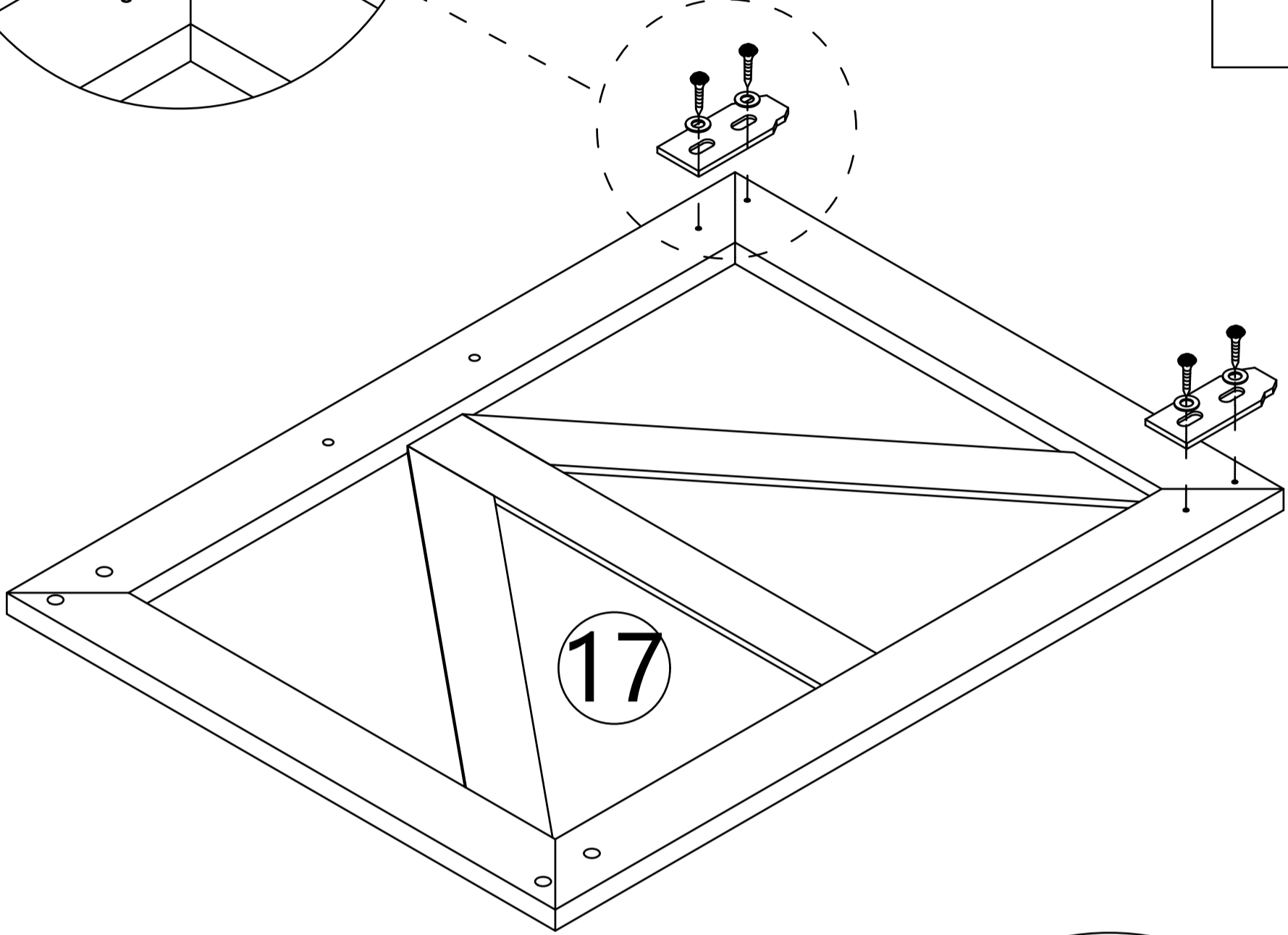
Step 35



I  x2

J   x4

N  x1  x2

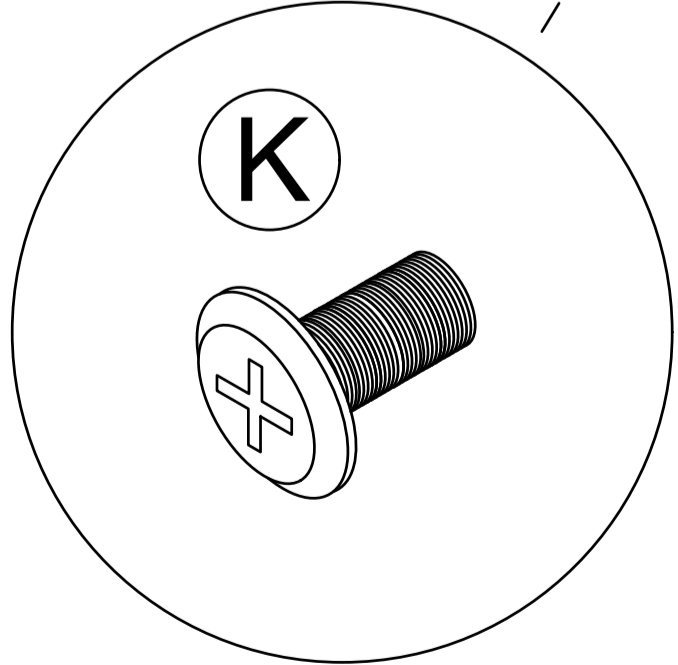
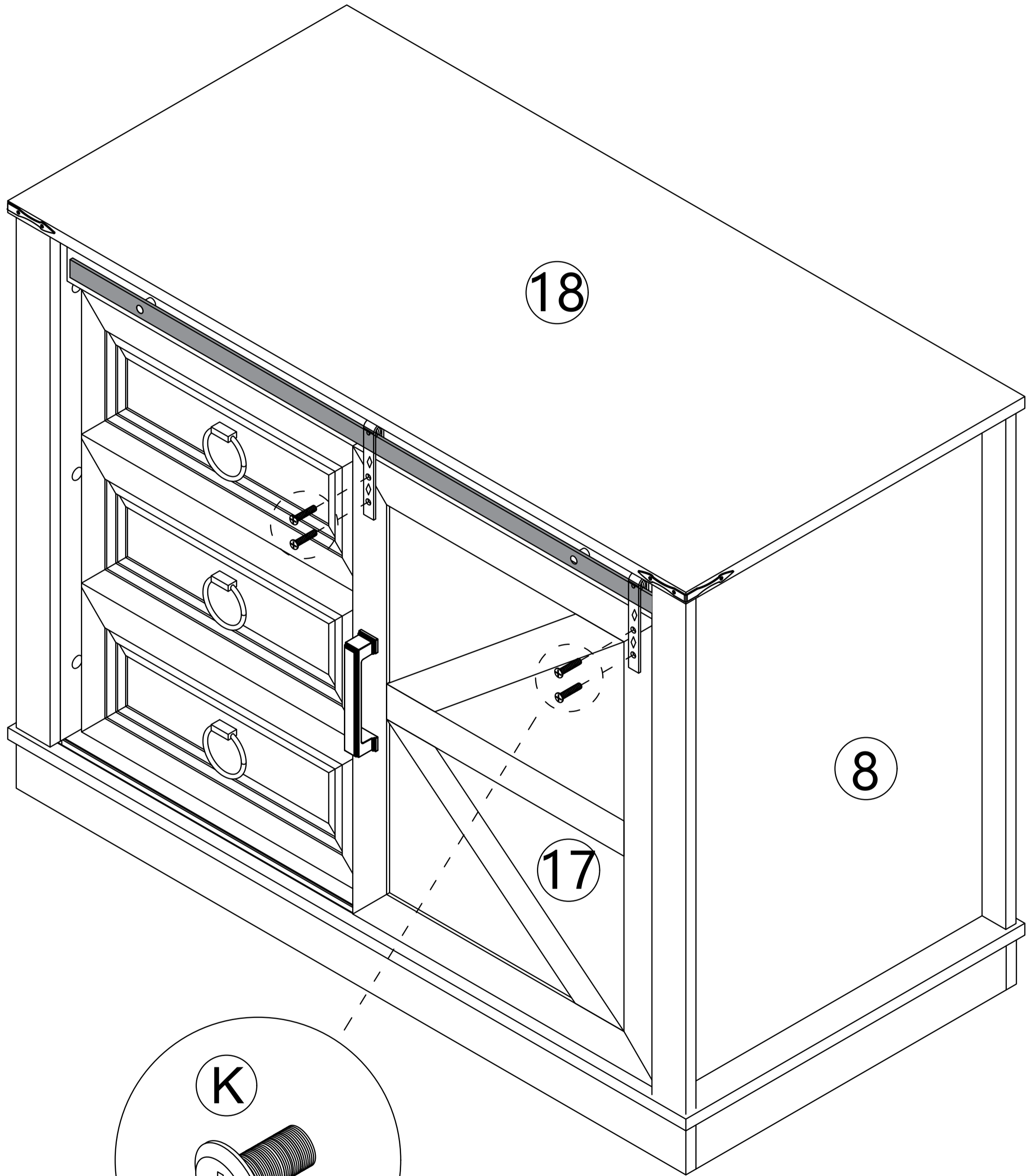


Step 36

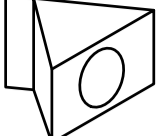

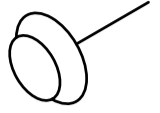
K

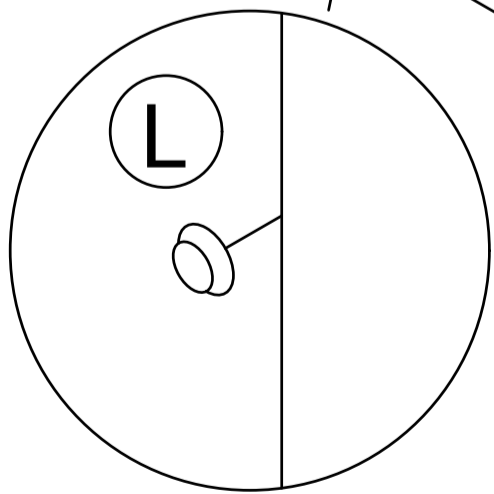
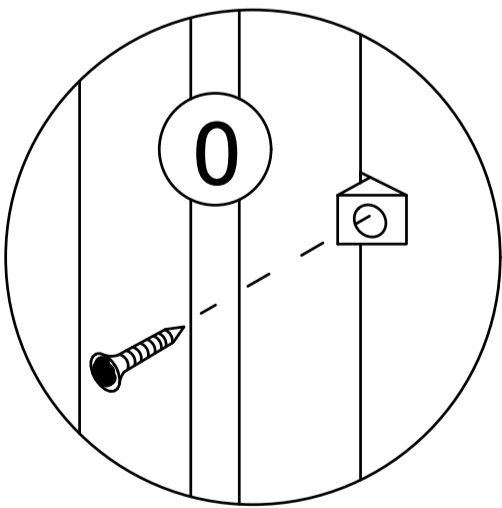
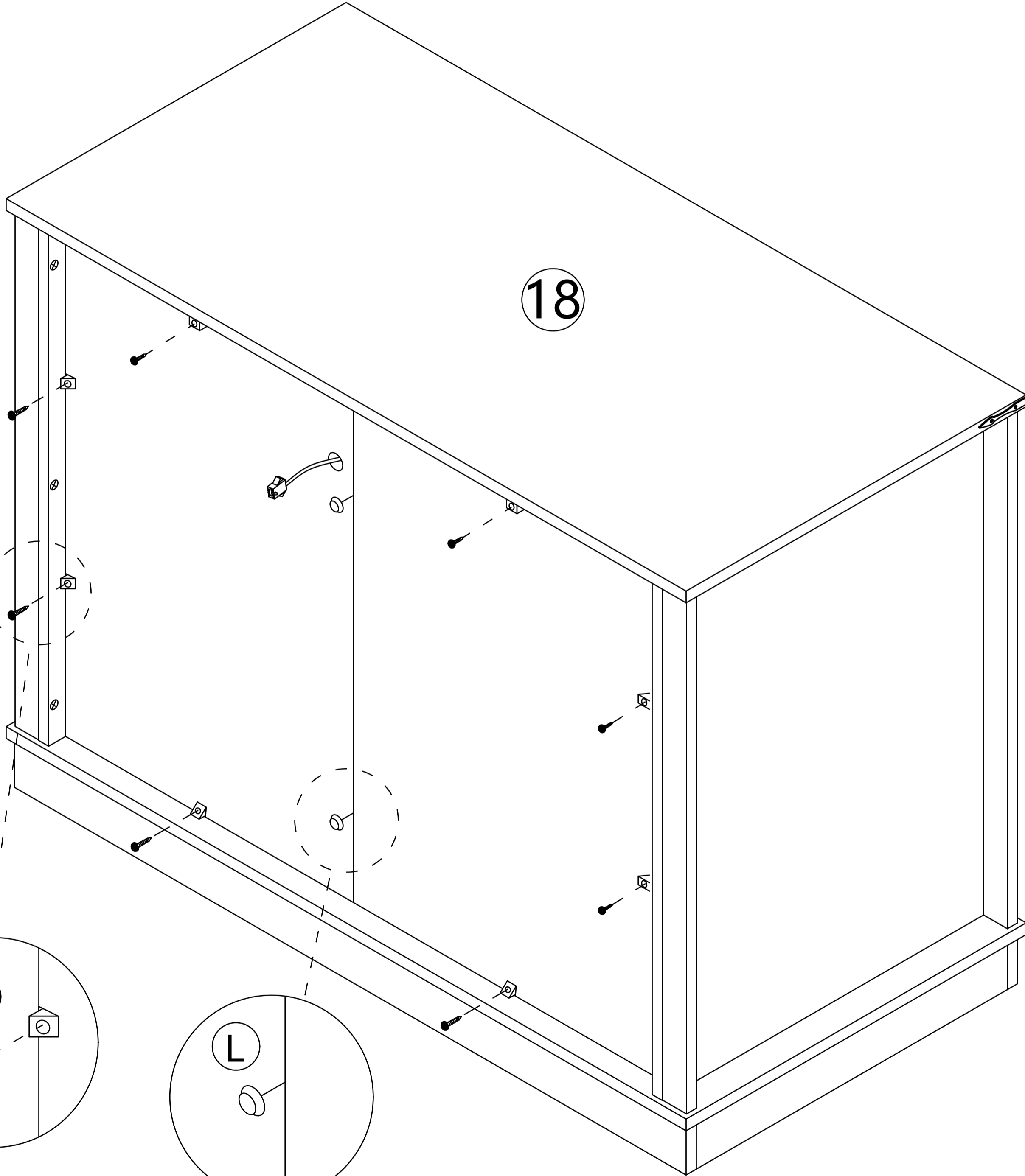


x4

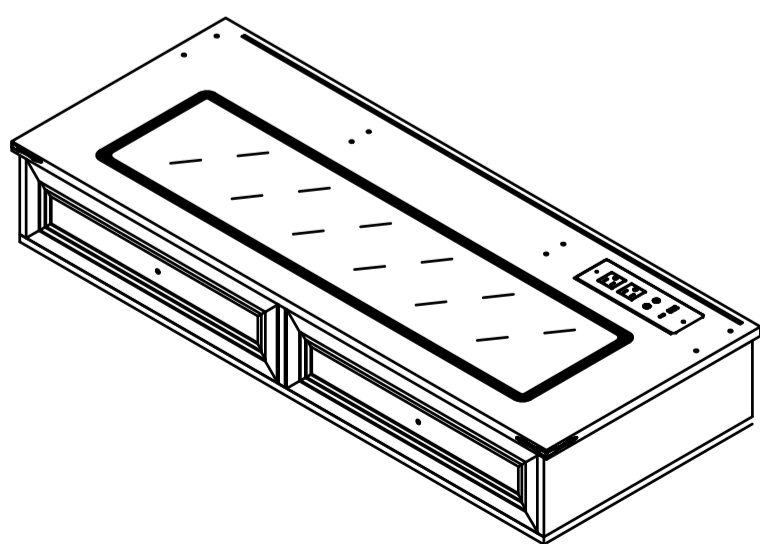
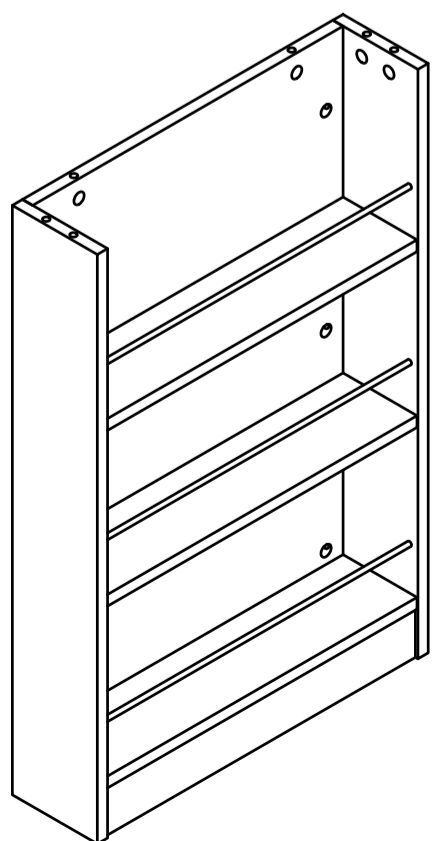
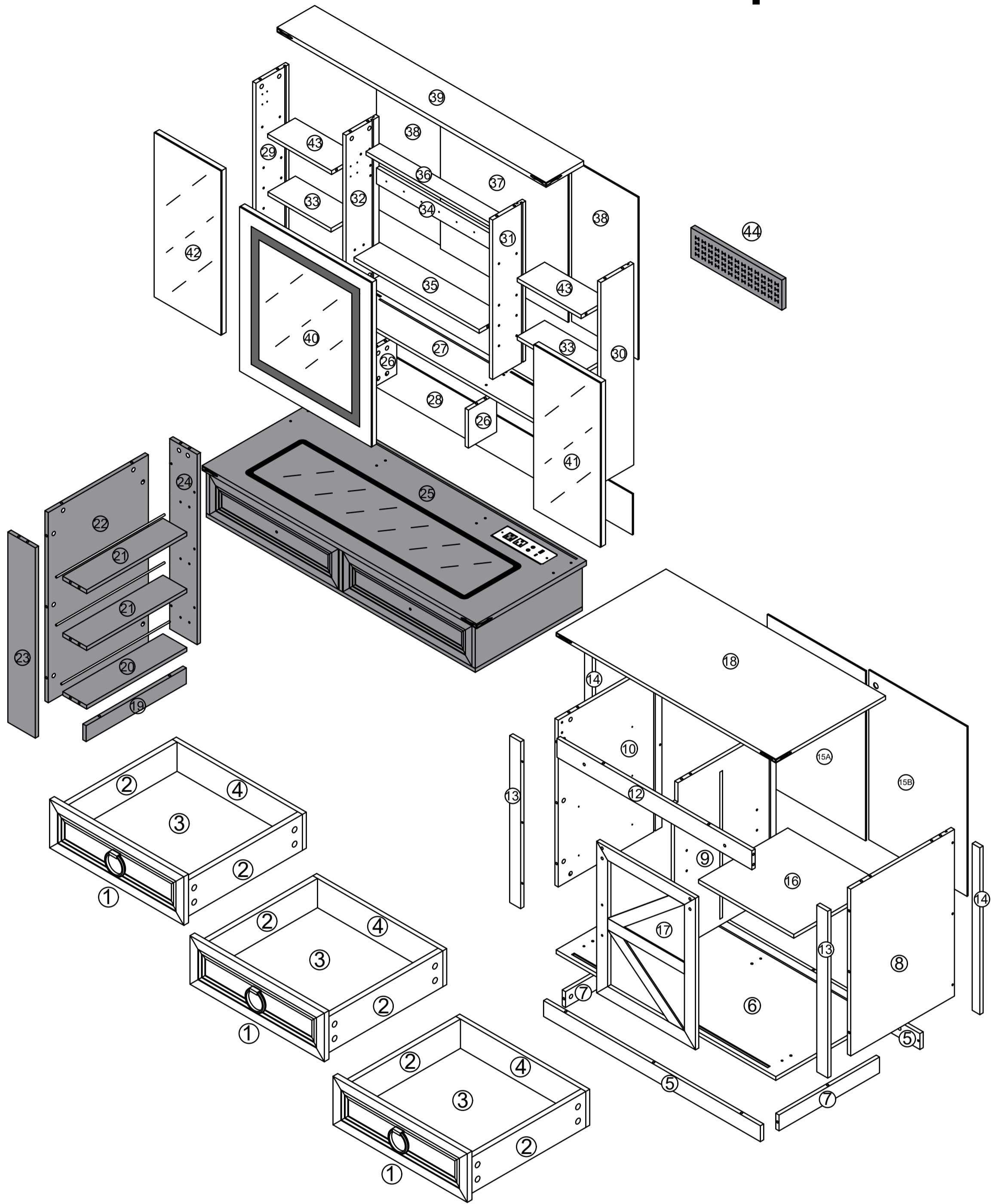


Step 37

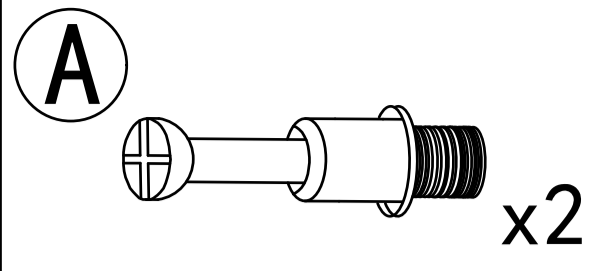
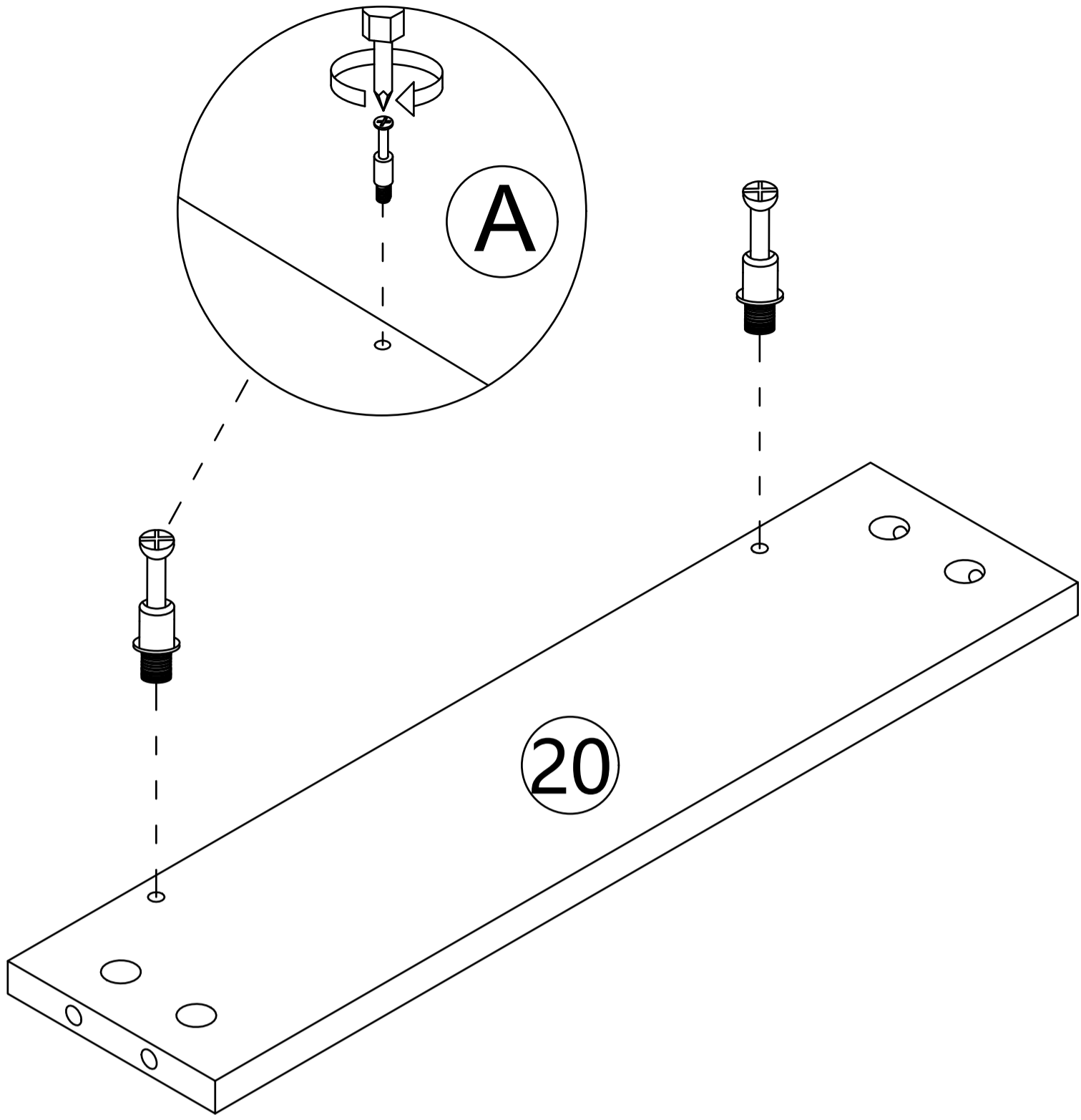
0		
	x8	x8
L		x2



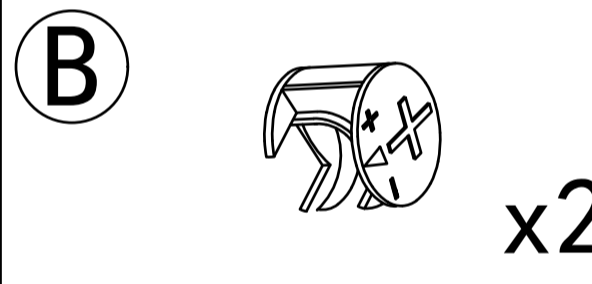
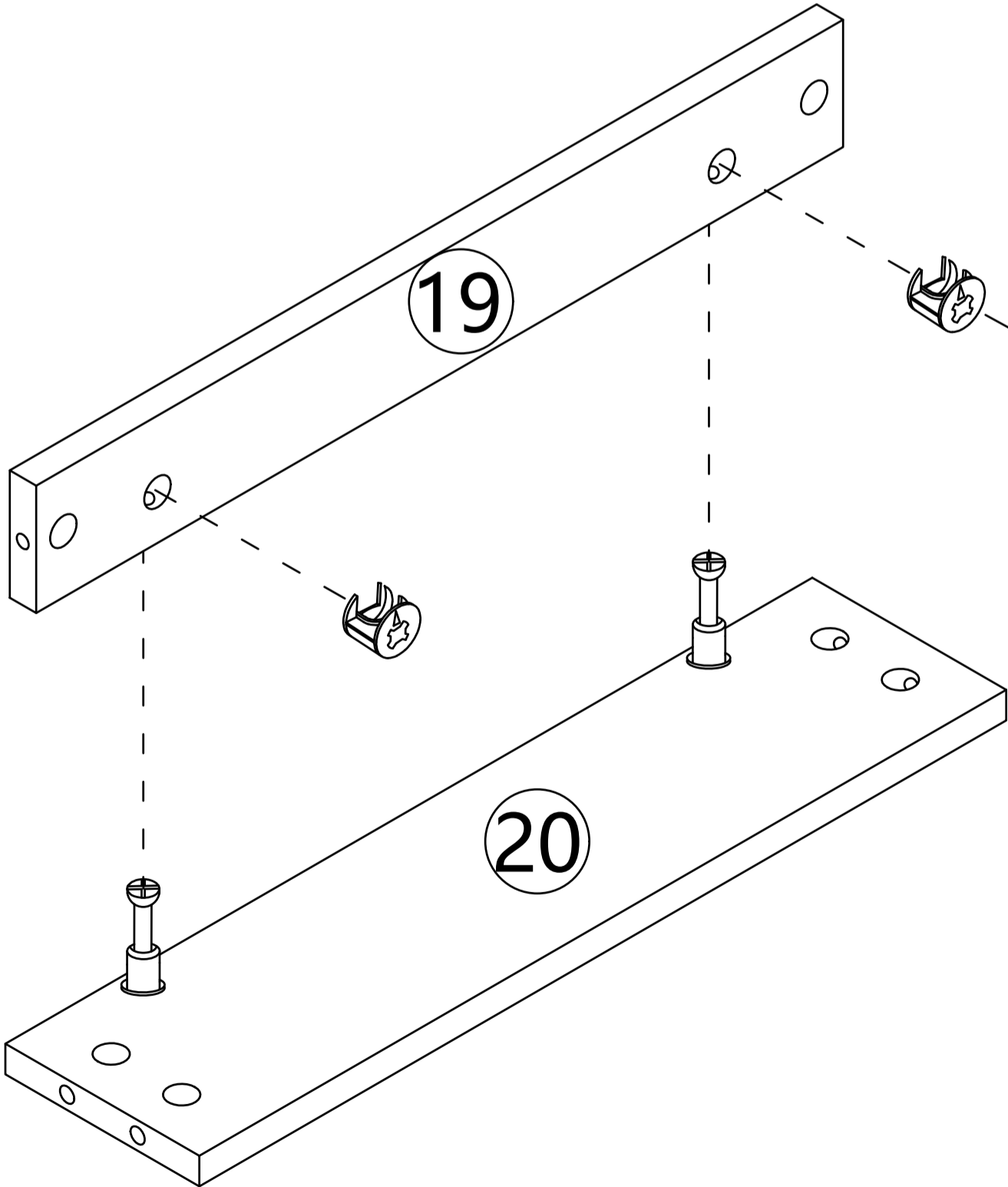
Product structure decomposition



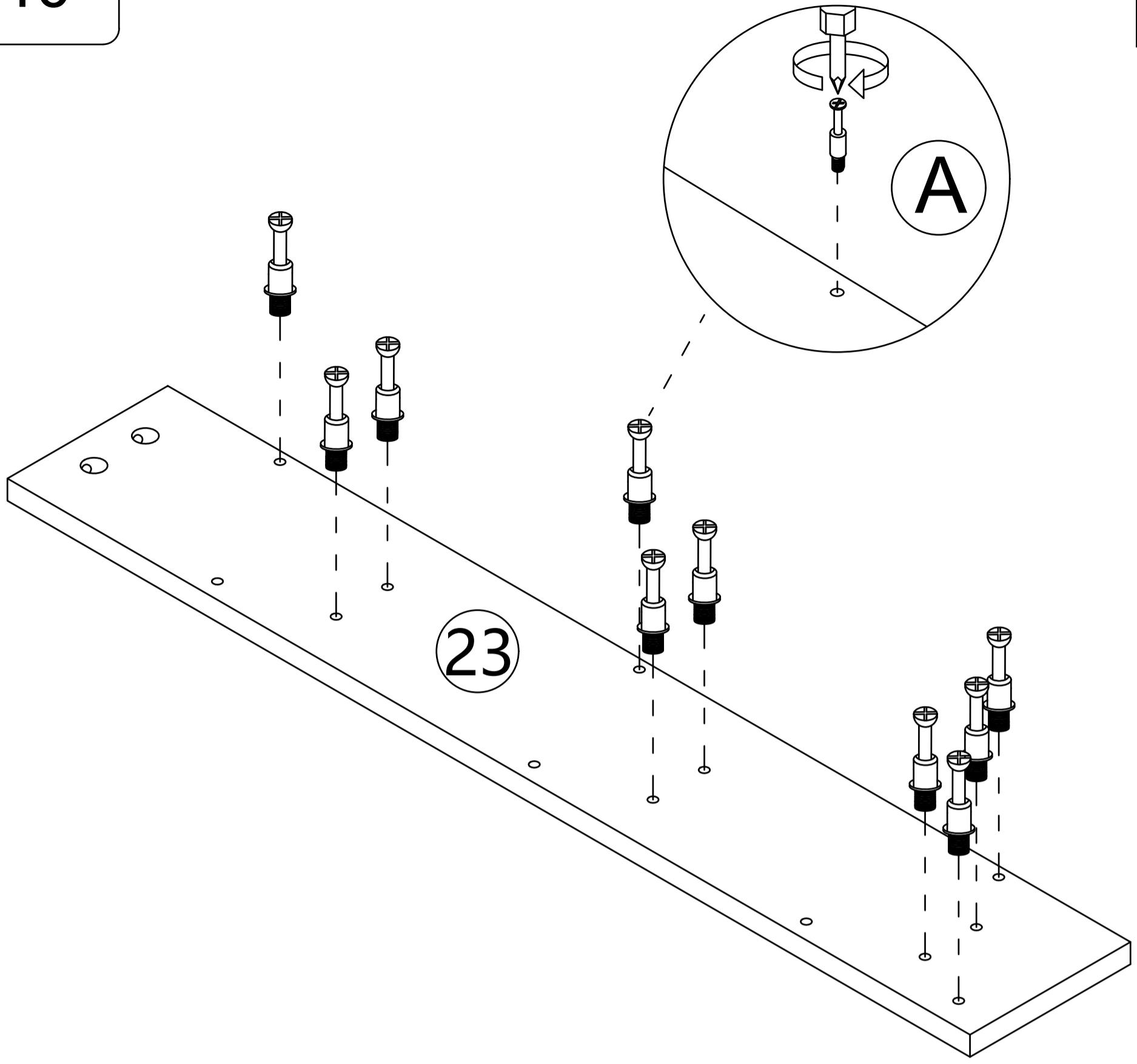
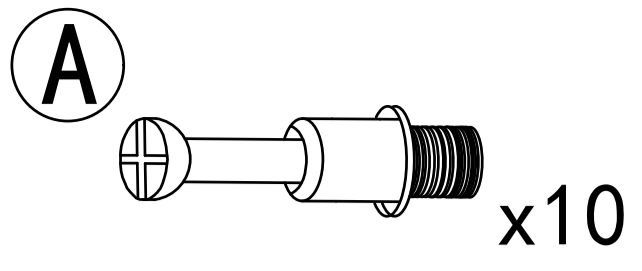
Step 38



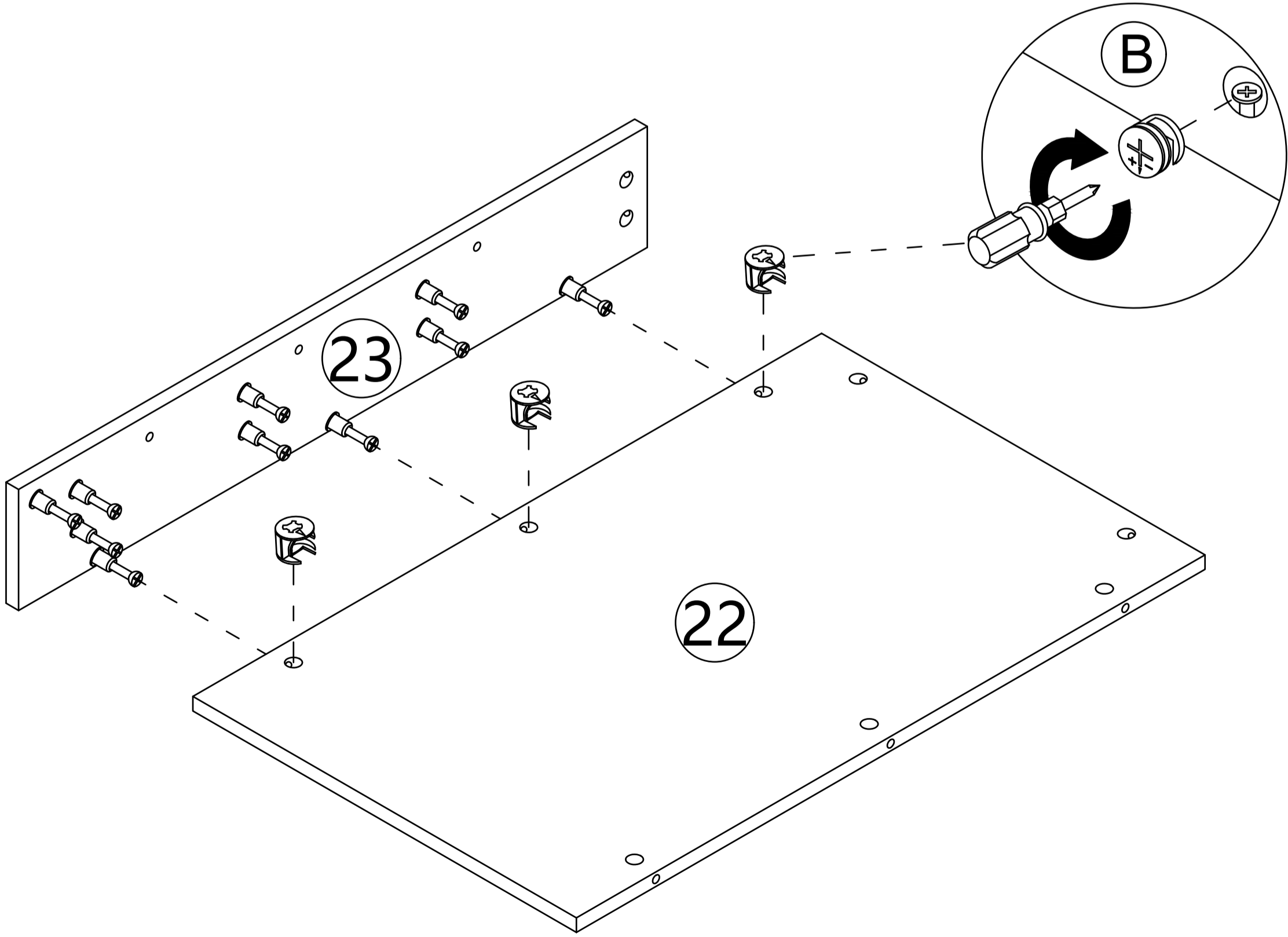
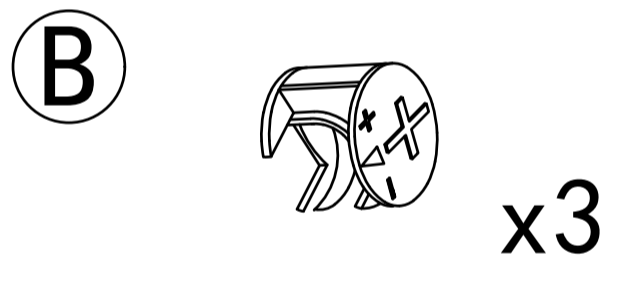
Step 39



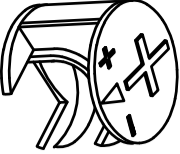
Step 40

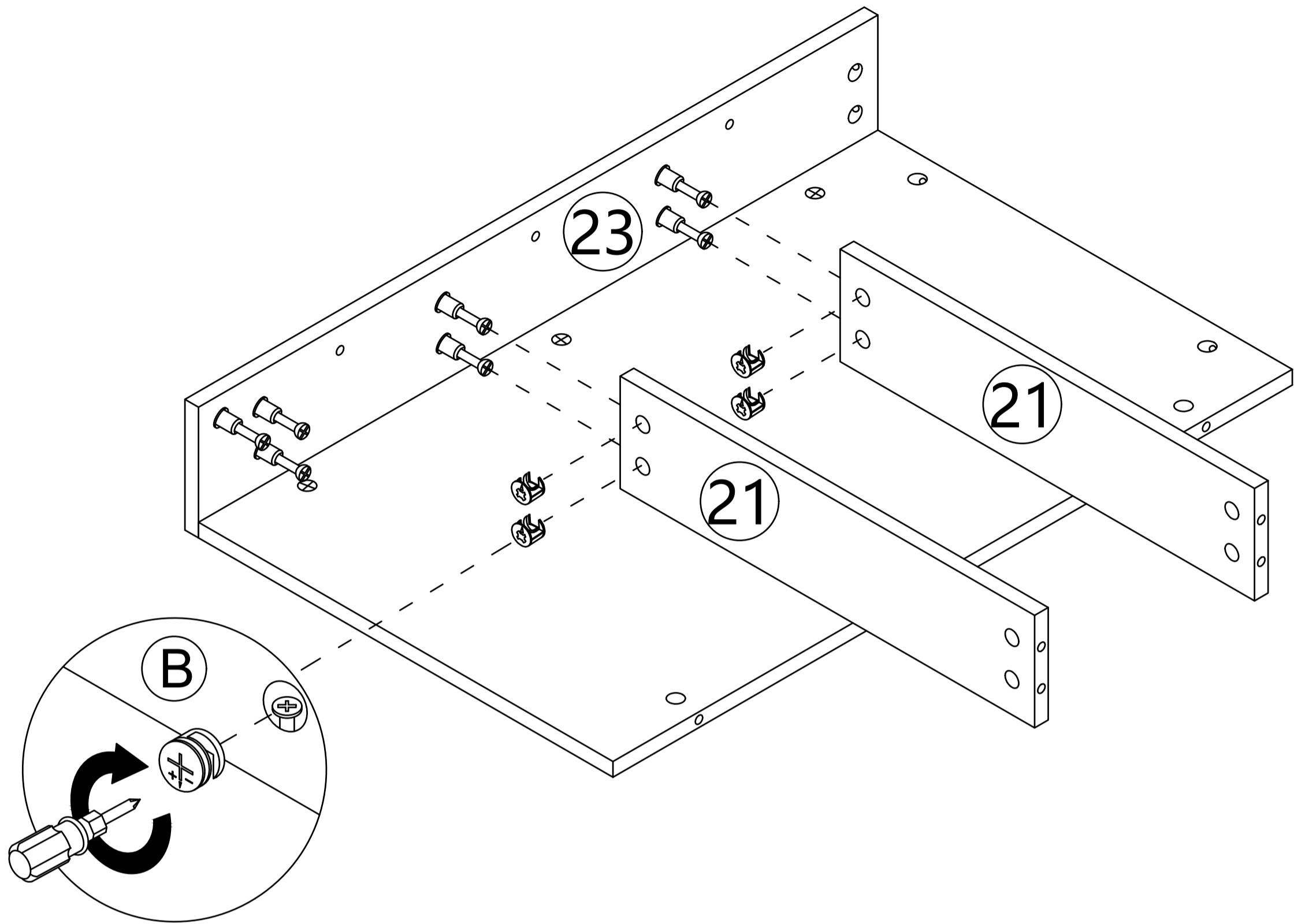


Step 41

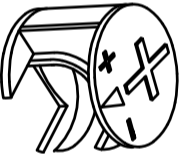


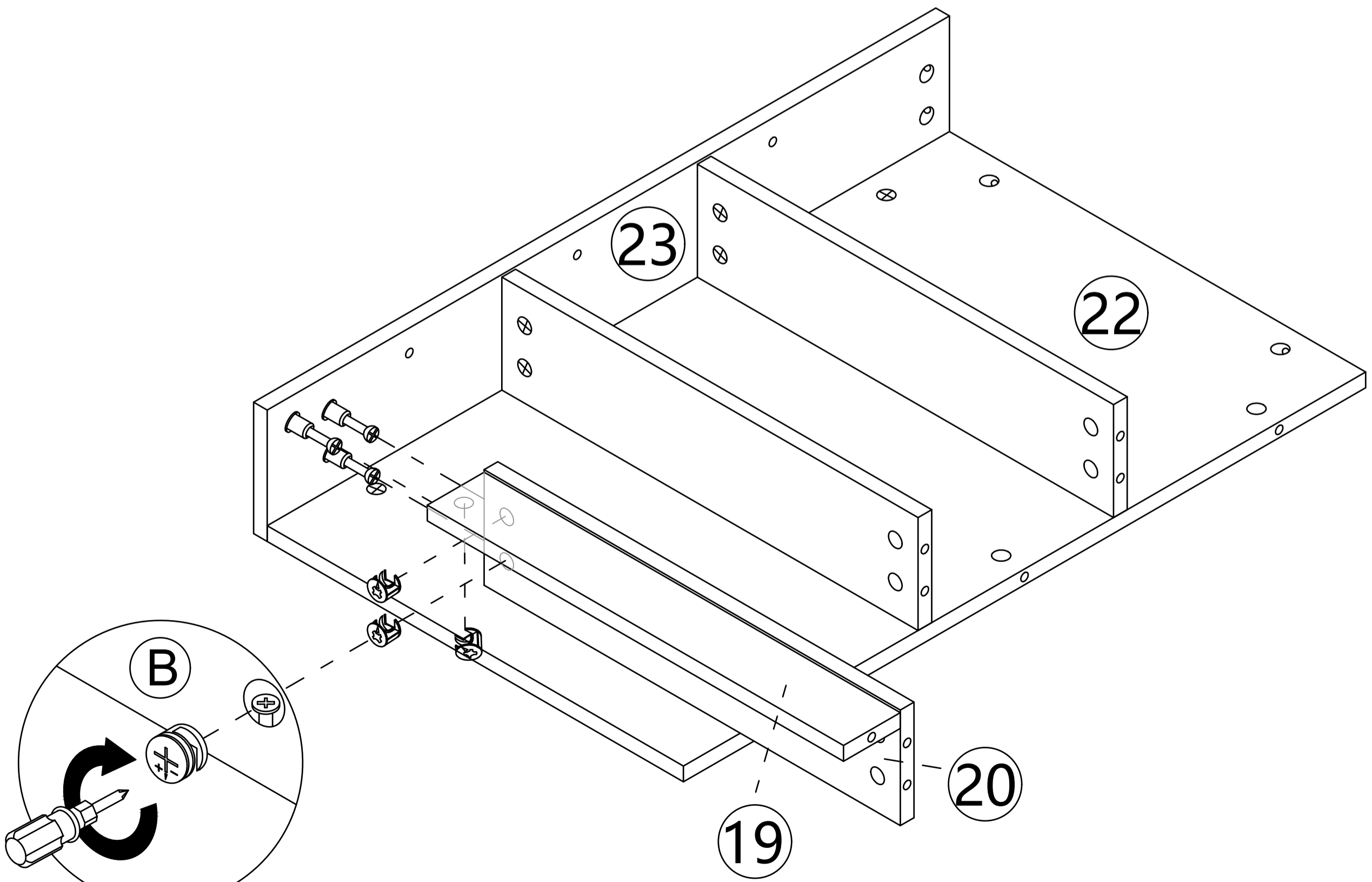
Step 42

B  x4

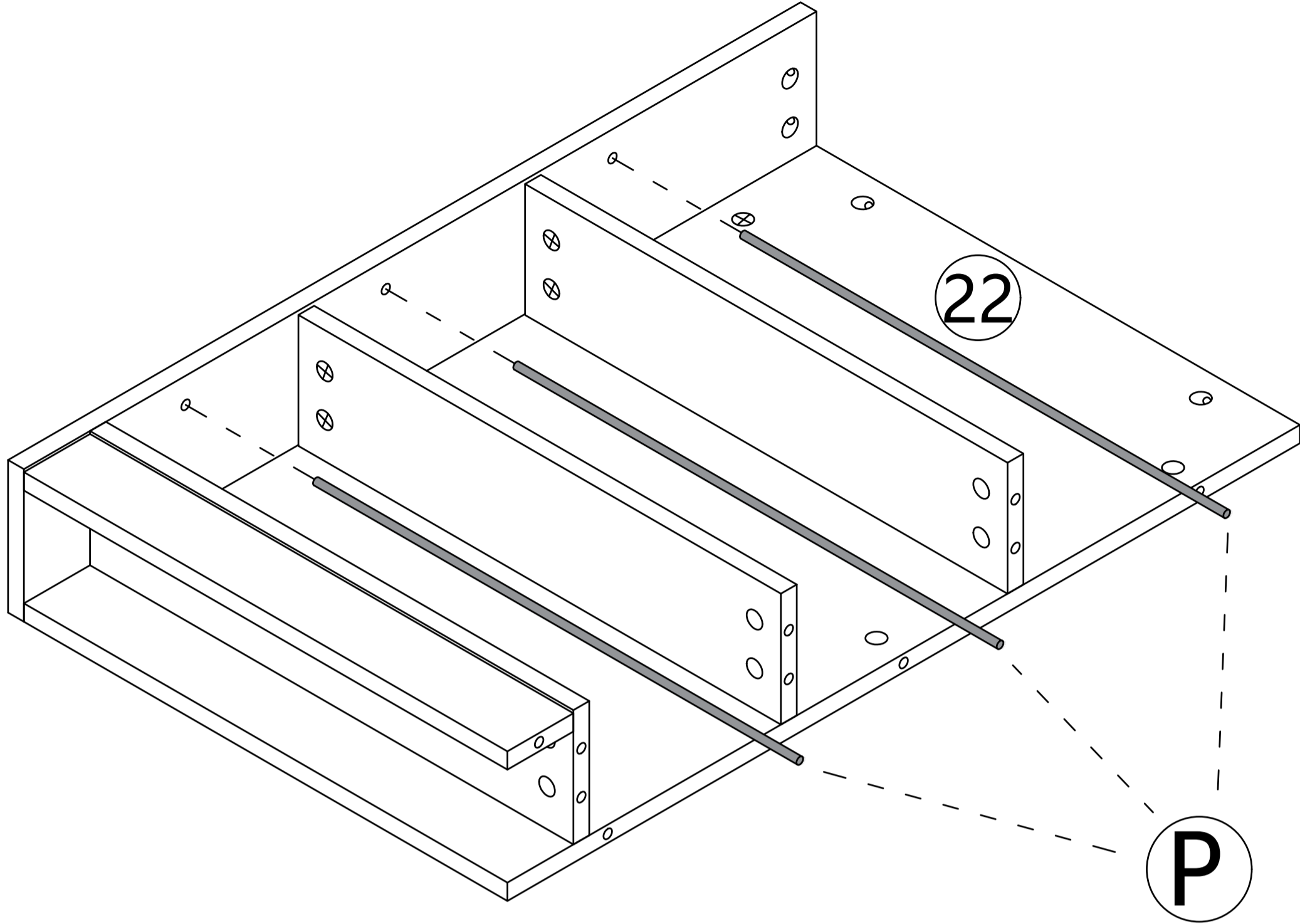
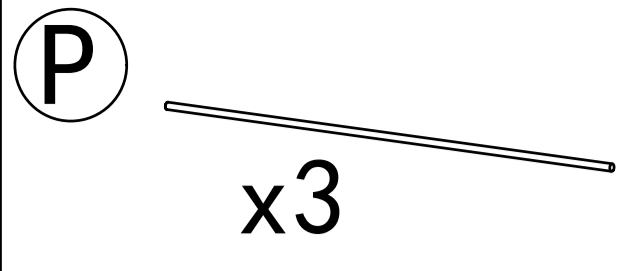


Step 43

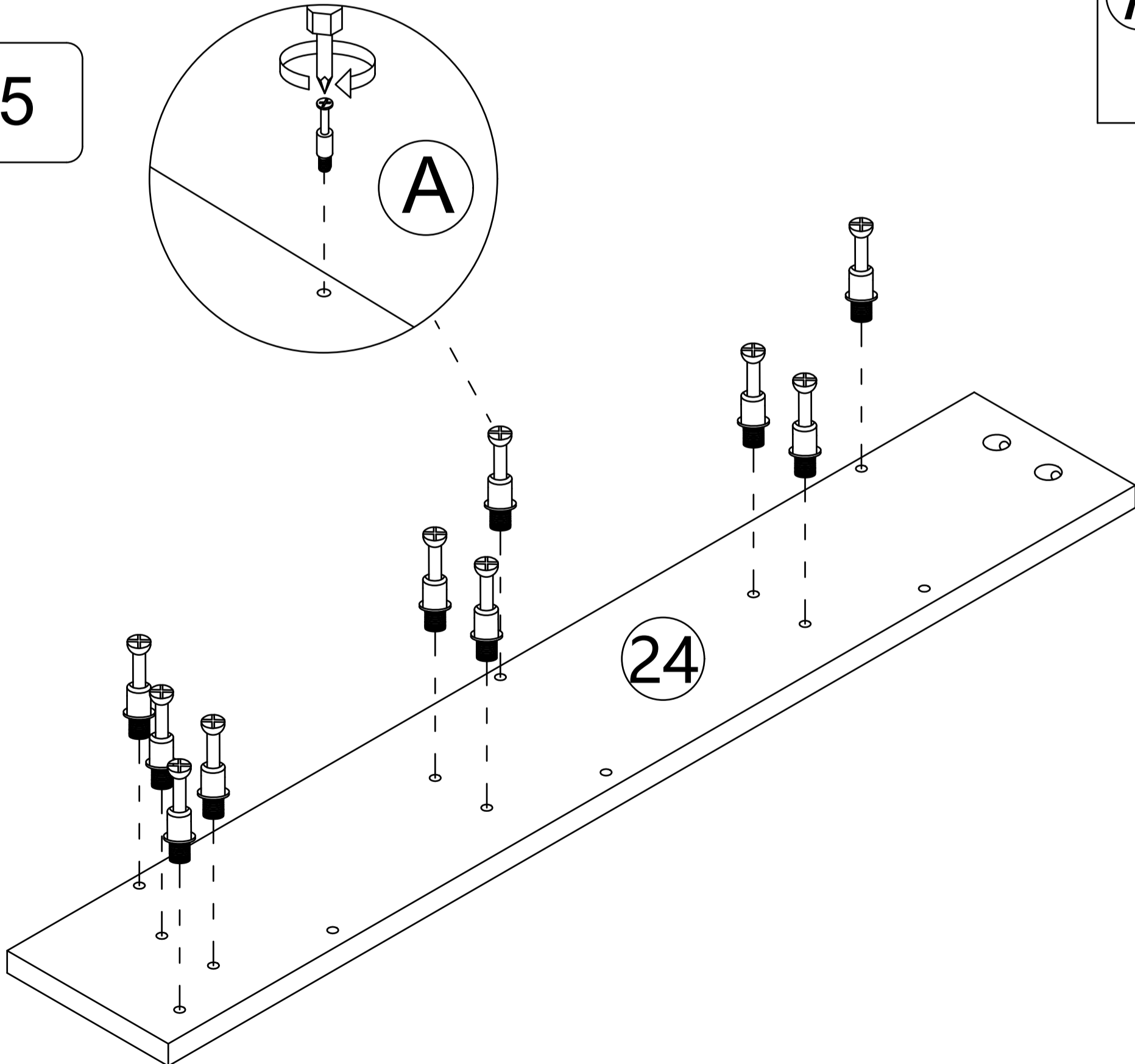
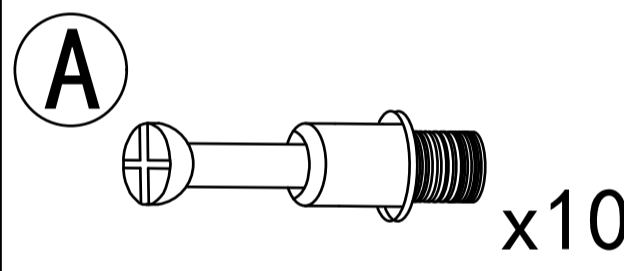
B  x3



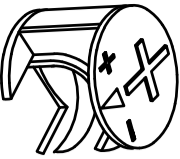
Step 44

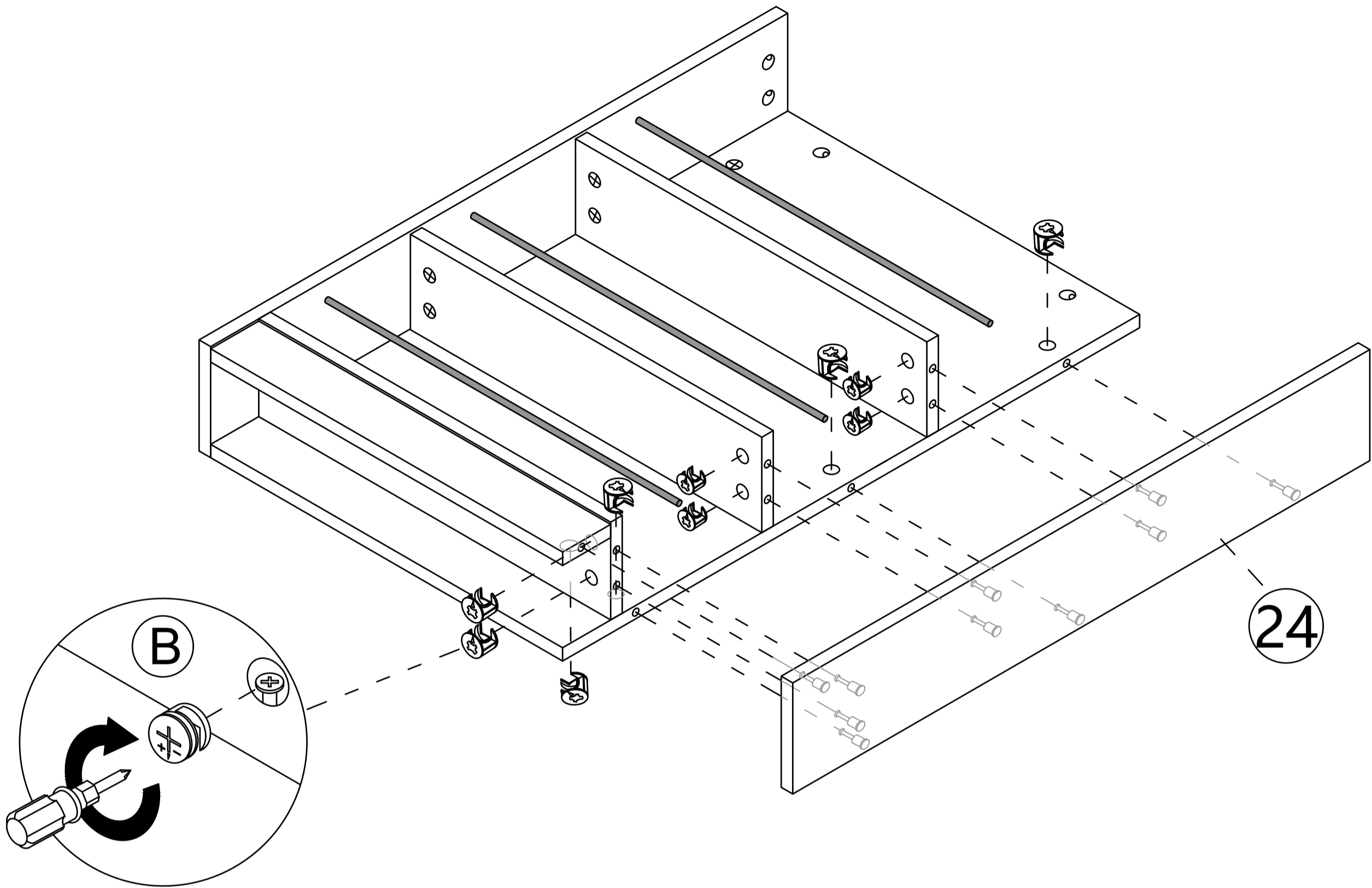


Step 45

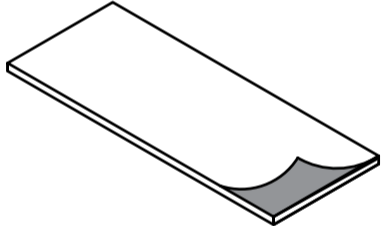


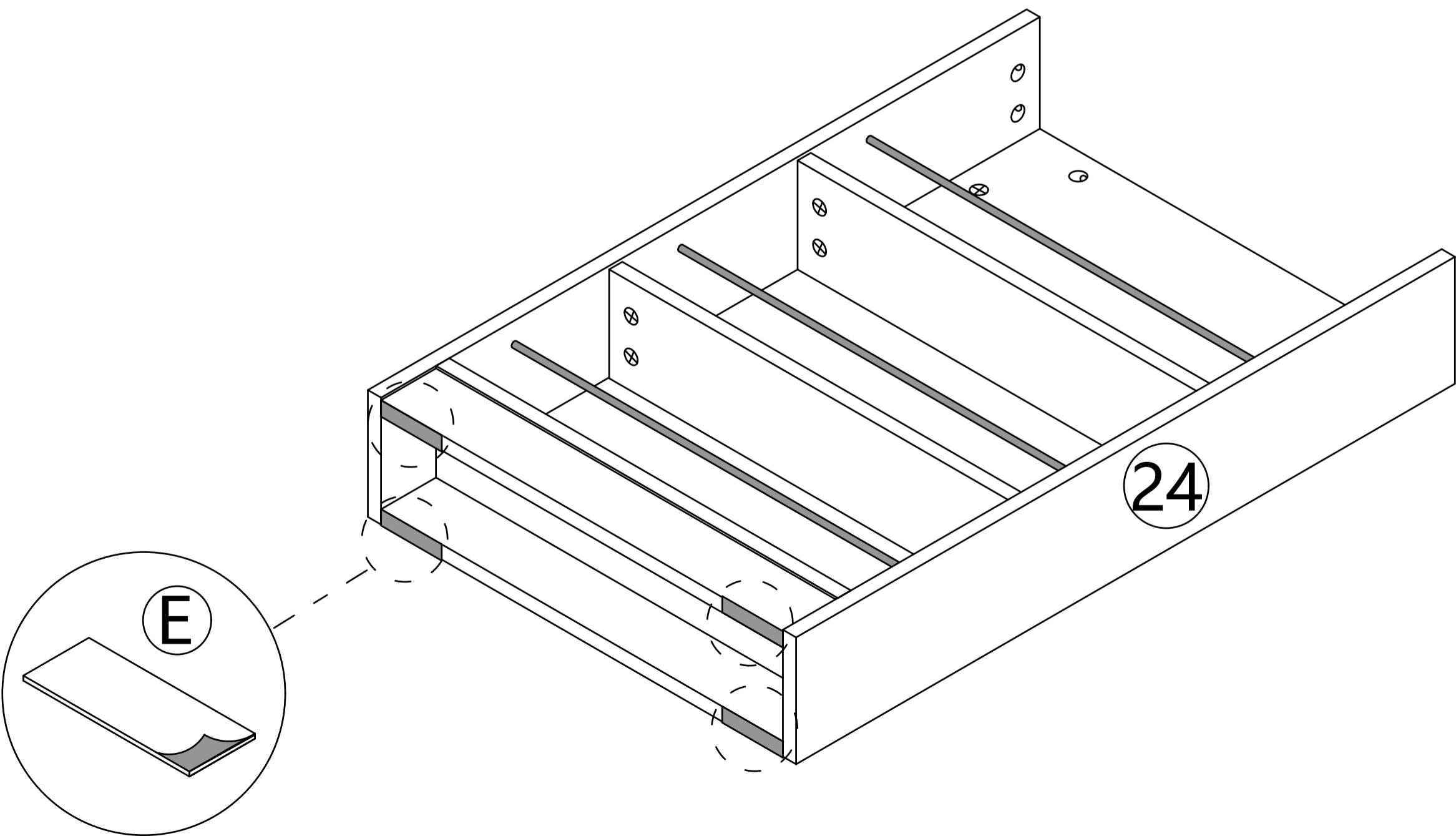
Step 46

B  x10



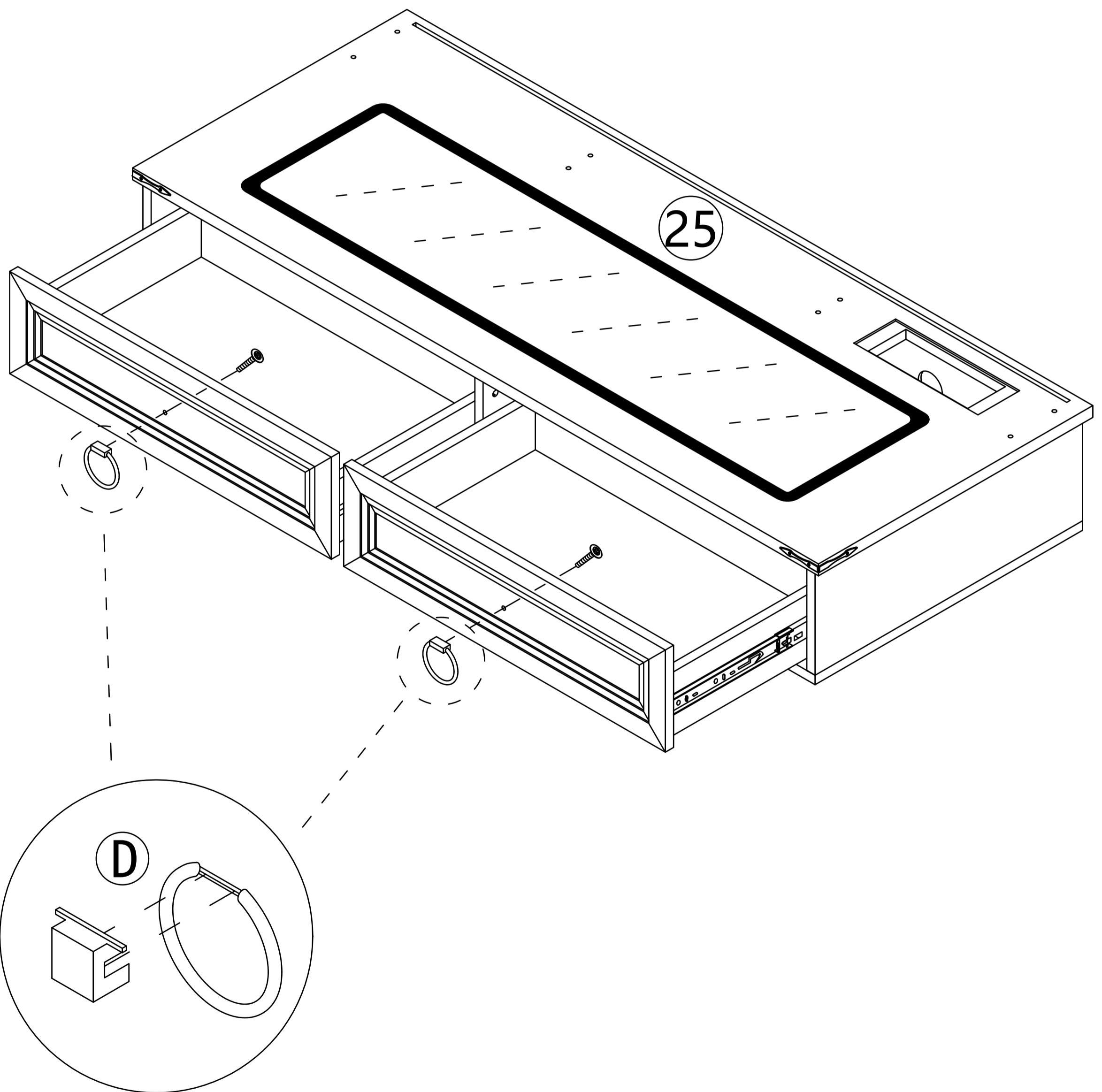
Step 47

E  x4
Tear off release paper and stick the black foot pad on the board



Step 48

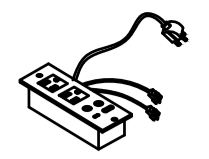
- (D)
- x2
- x2
- x2



Attention: Remove the iron wire before installing the handle

Step 49

Q



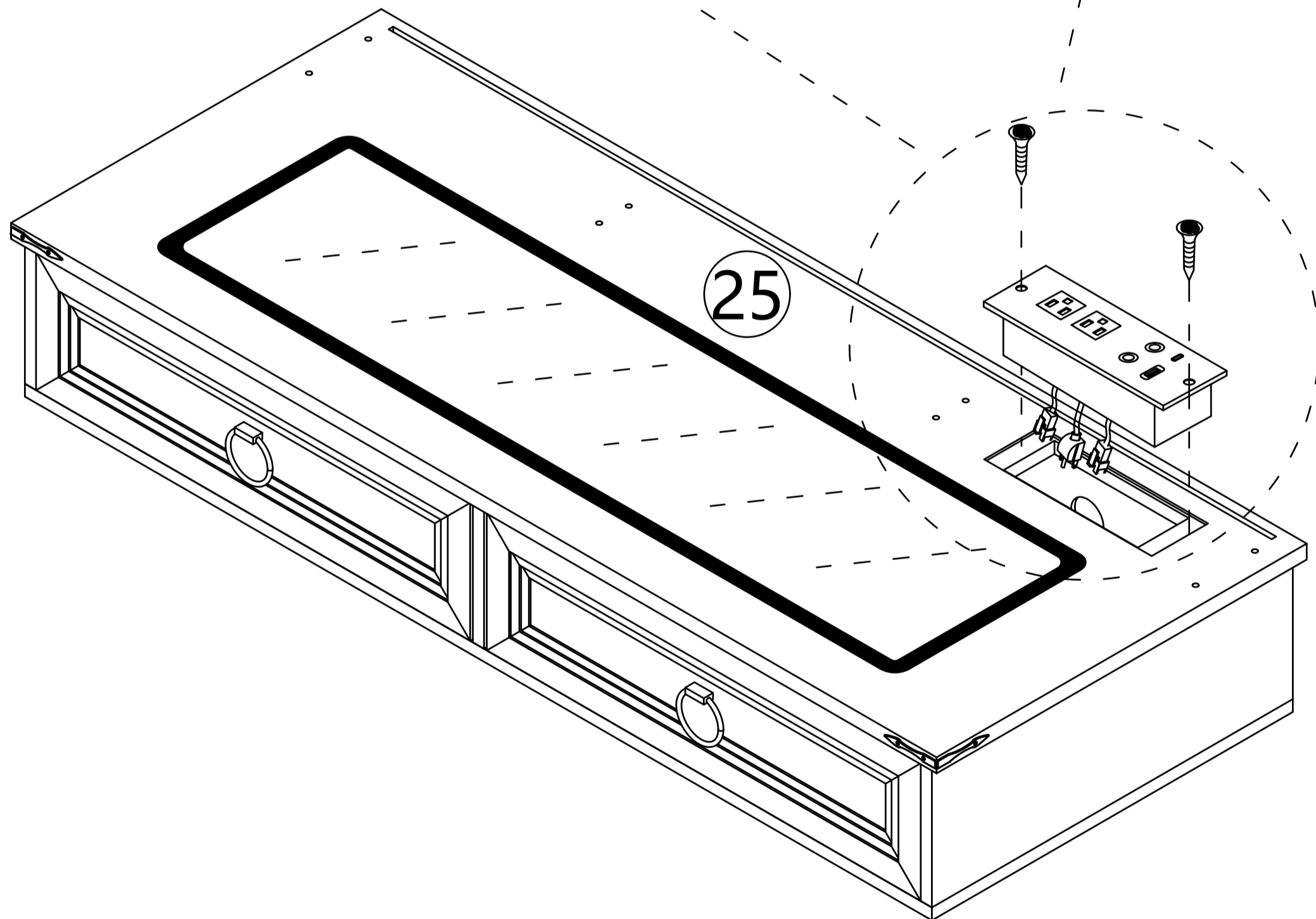
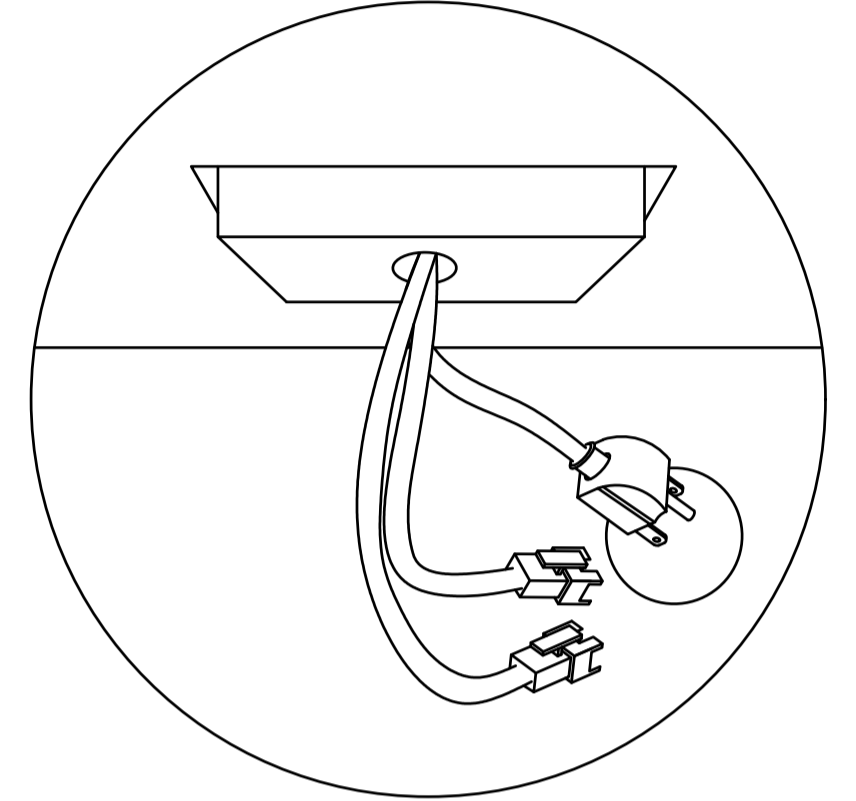
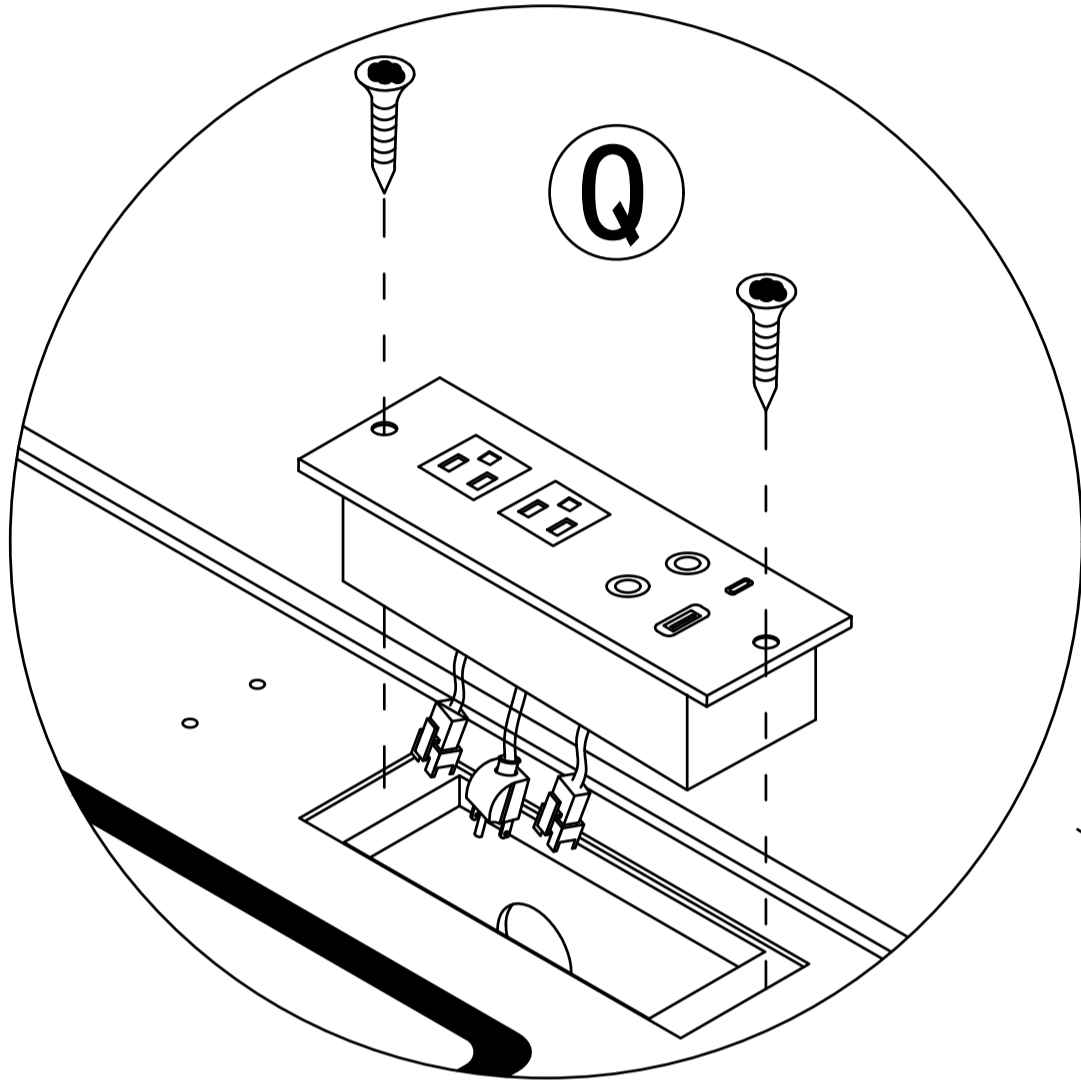
x1



x2

Attention: First, thread the plug and light wire through the holes on the back panel, and then install the power strip

Thread the light wire through the back panel hole



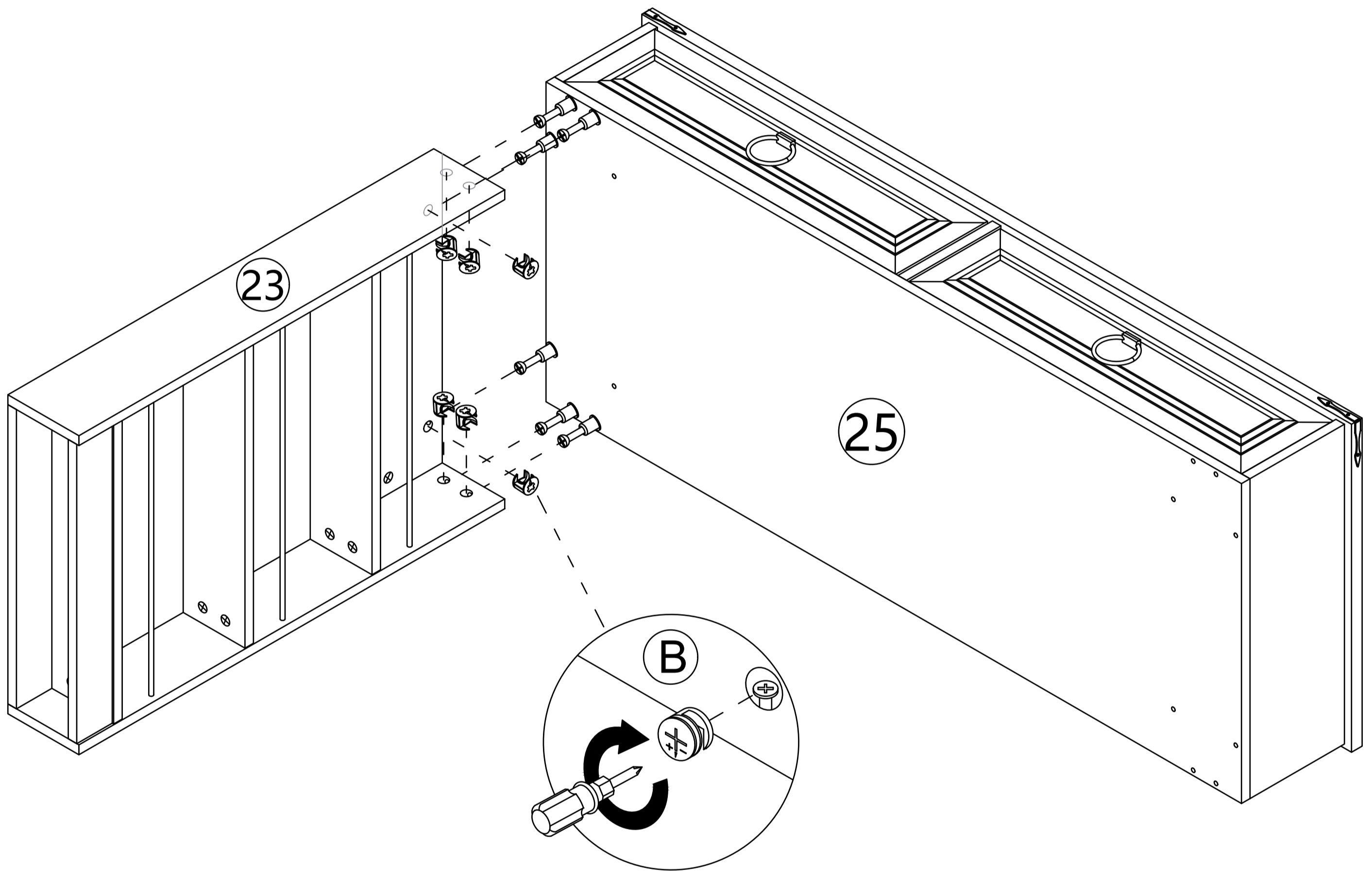
Step 50

B



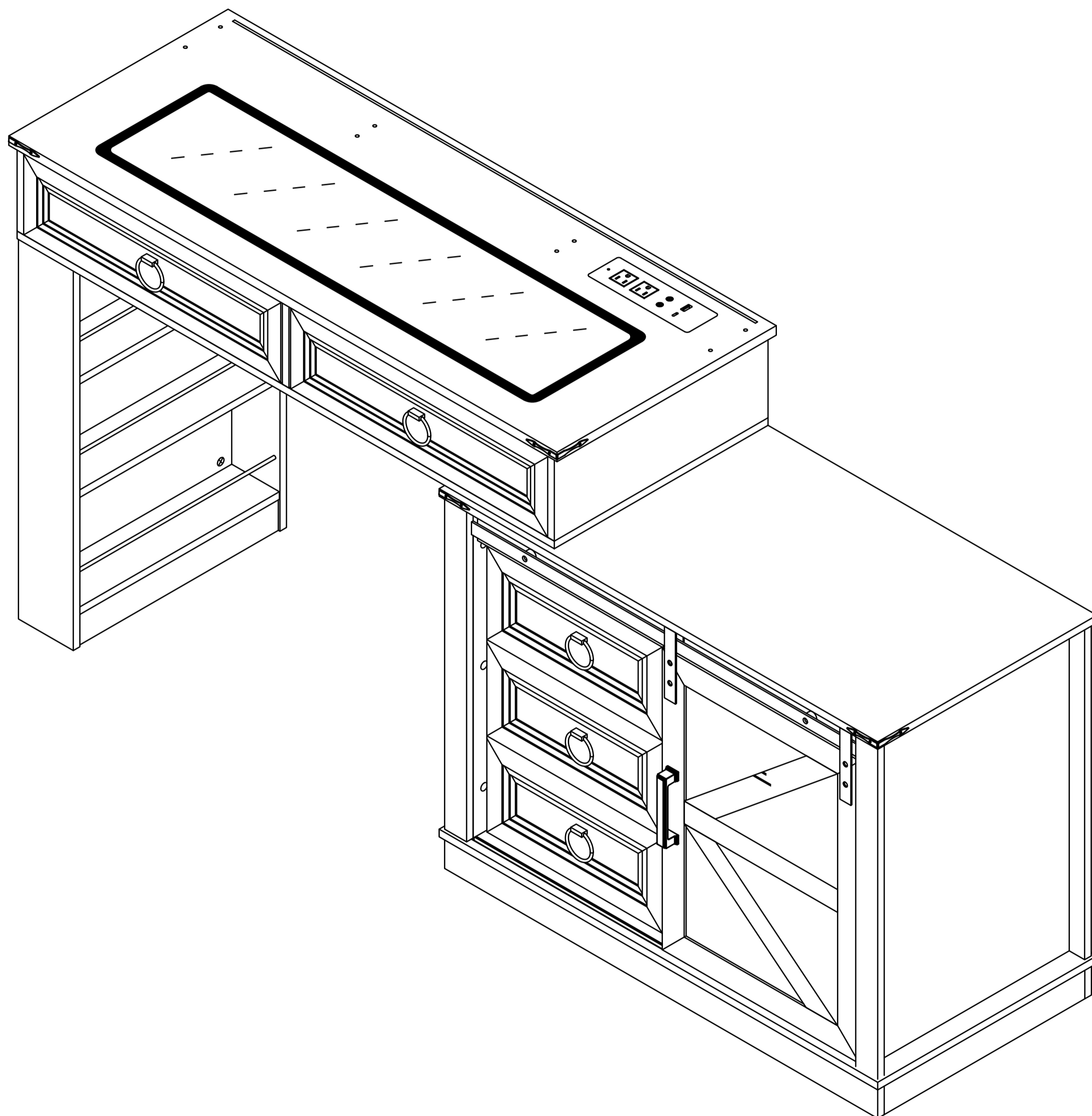
x6

Effect 1



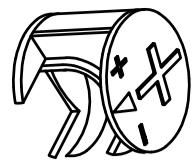
Attention: Please review the following four effects before selecting the location where you want to install

The placement effect of Effect 1



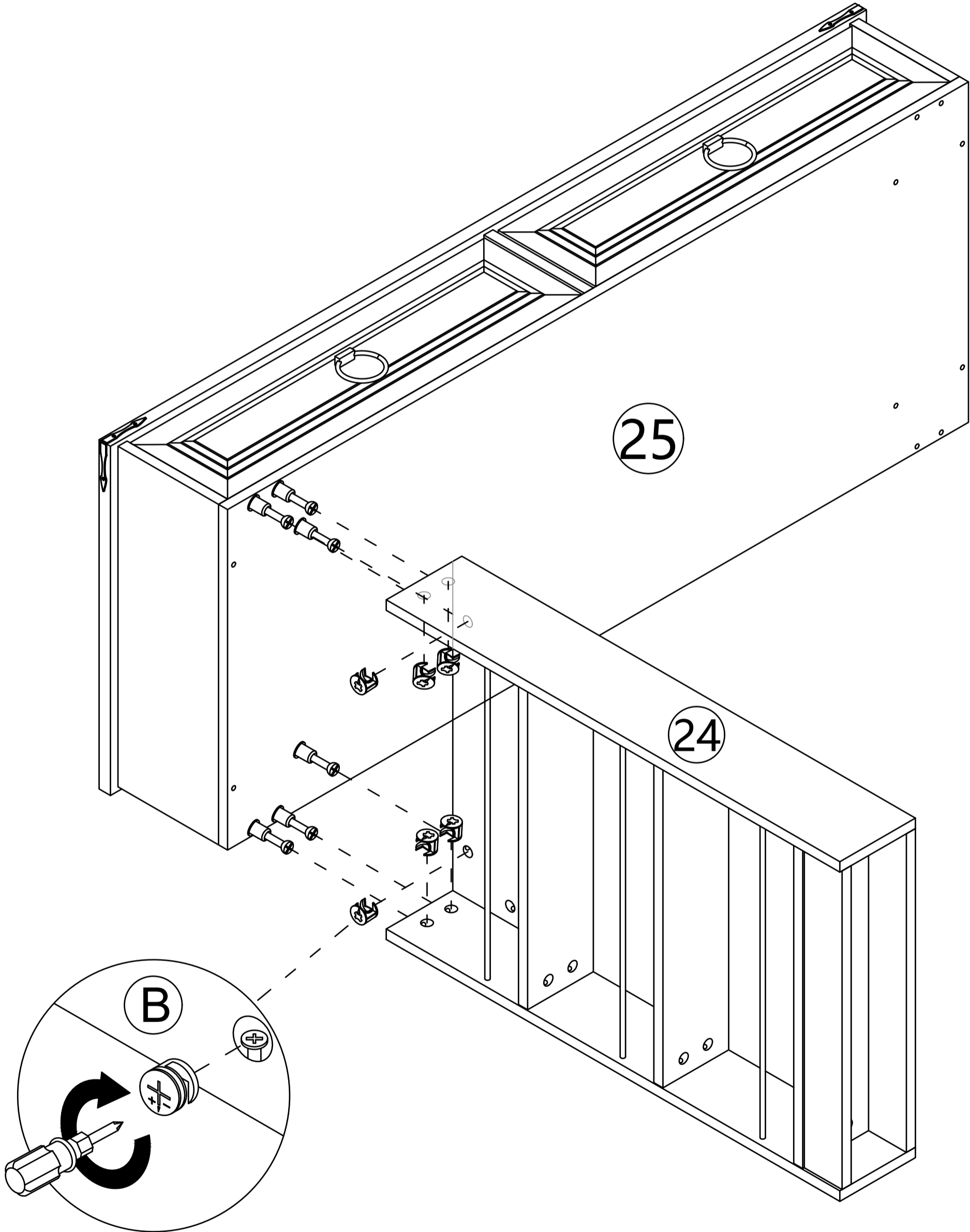
Step 51

B

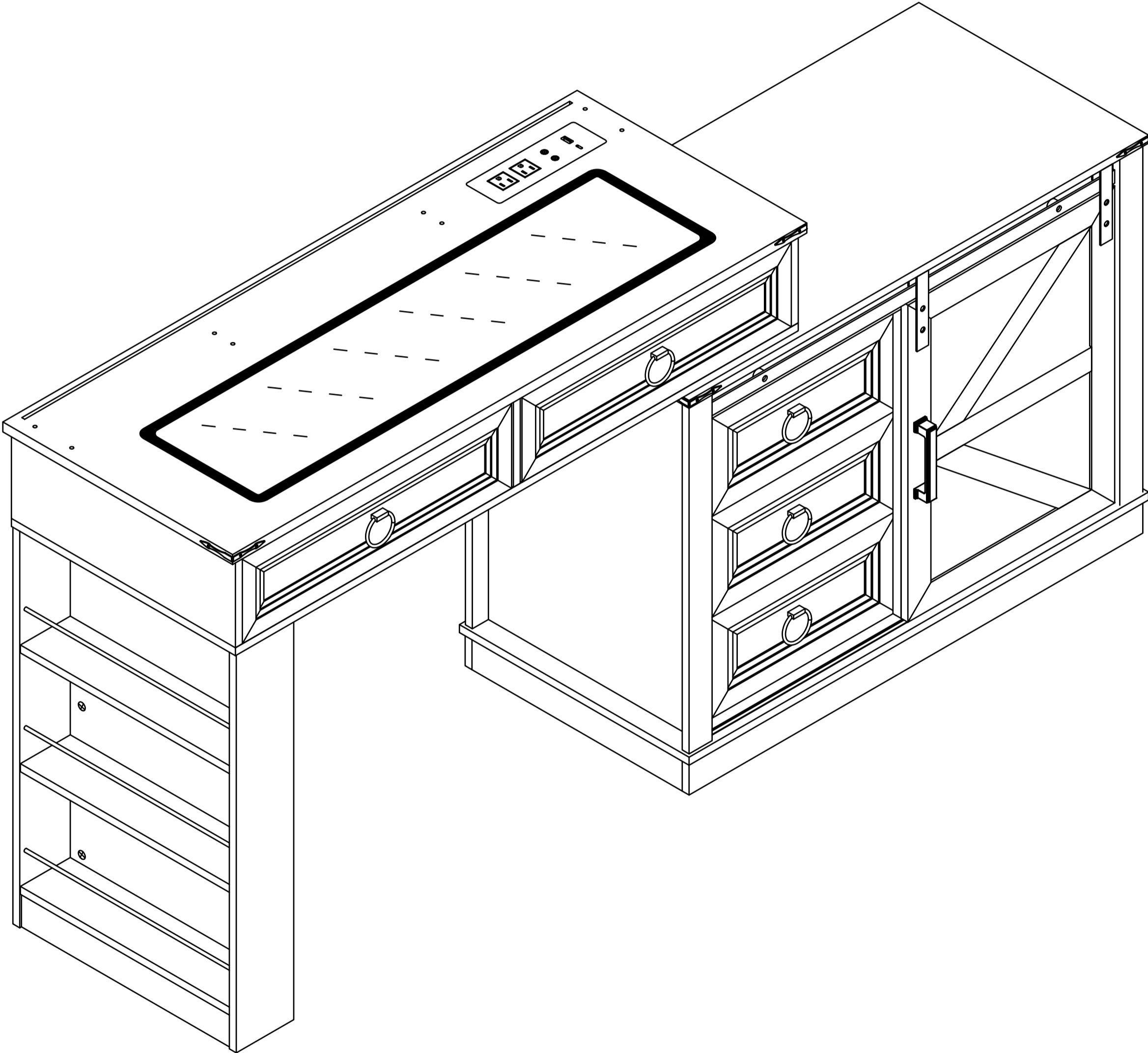


x6

Effect 2



The placement effect of Effect 2



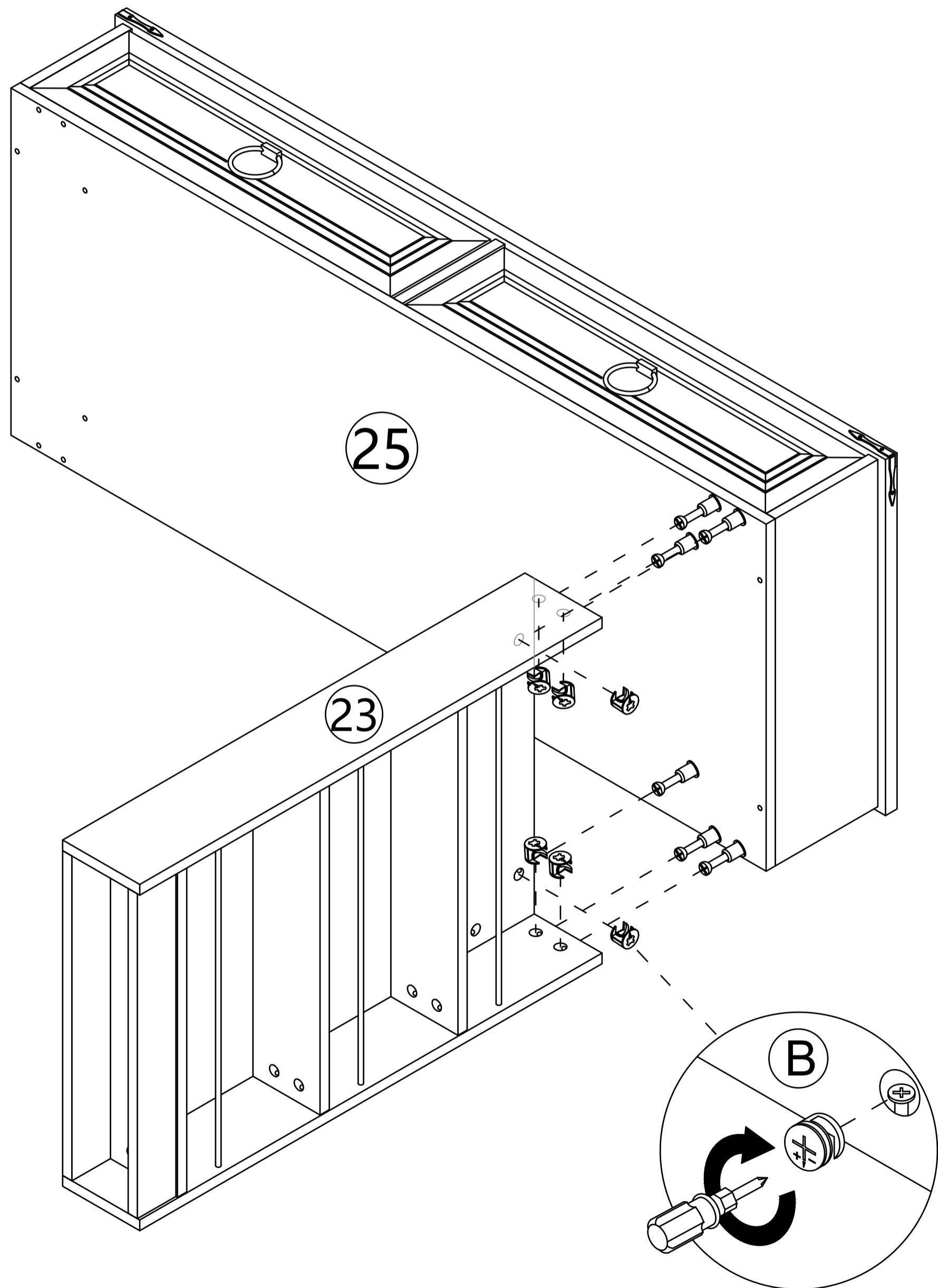
Step 52

B

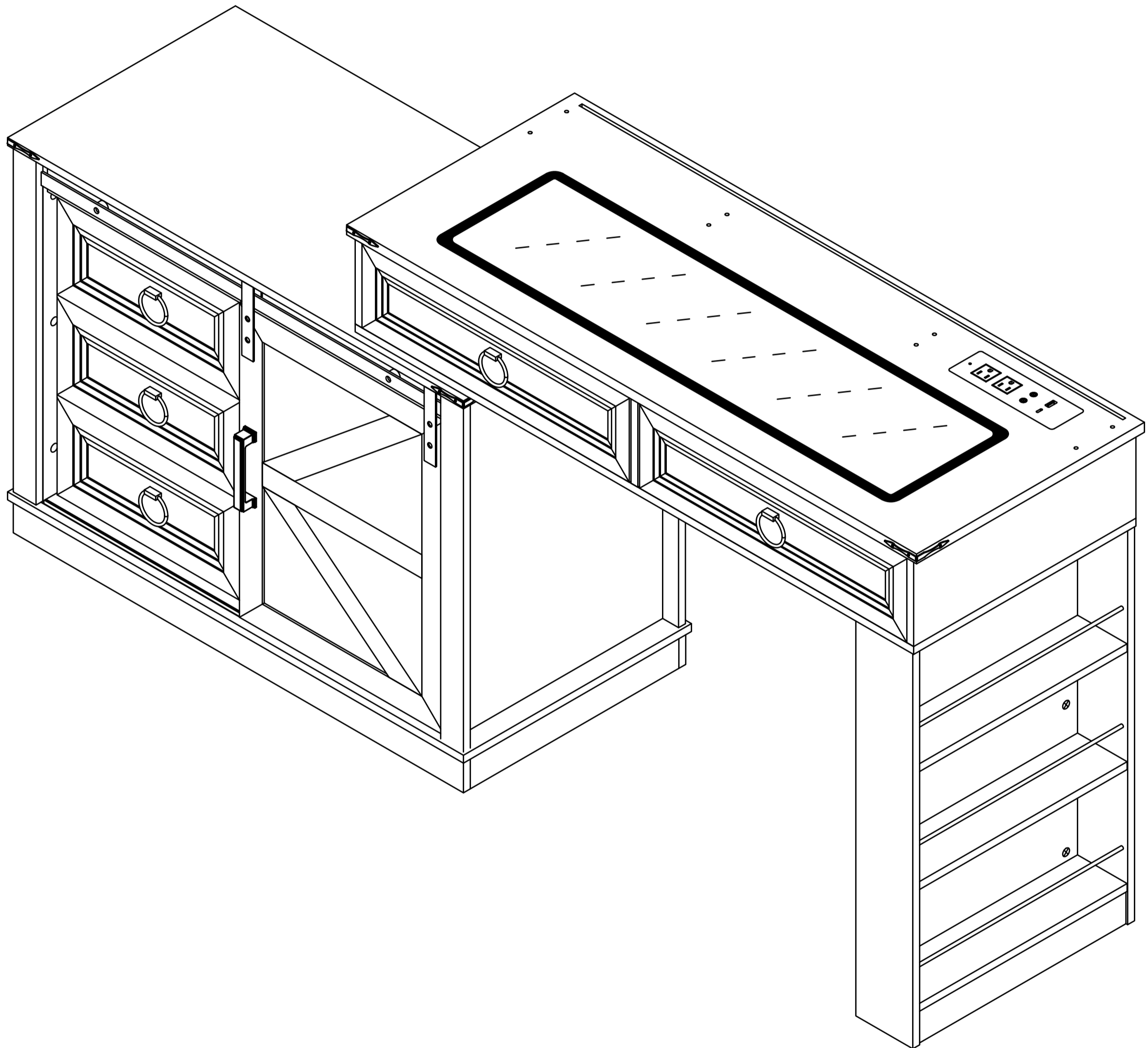


x6

Effect 3

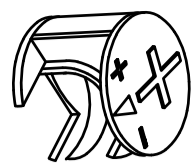


The placement effect of Effect 3



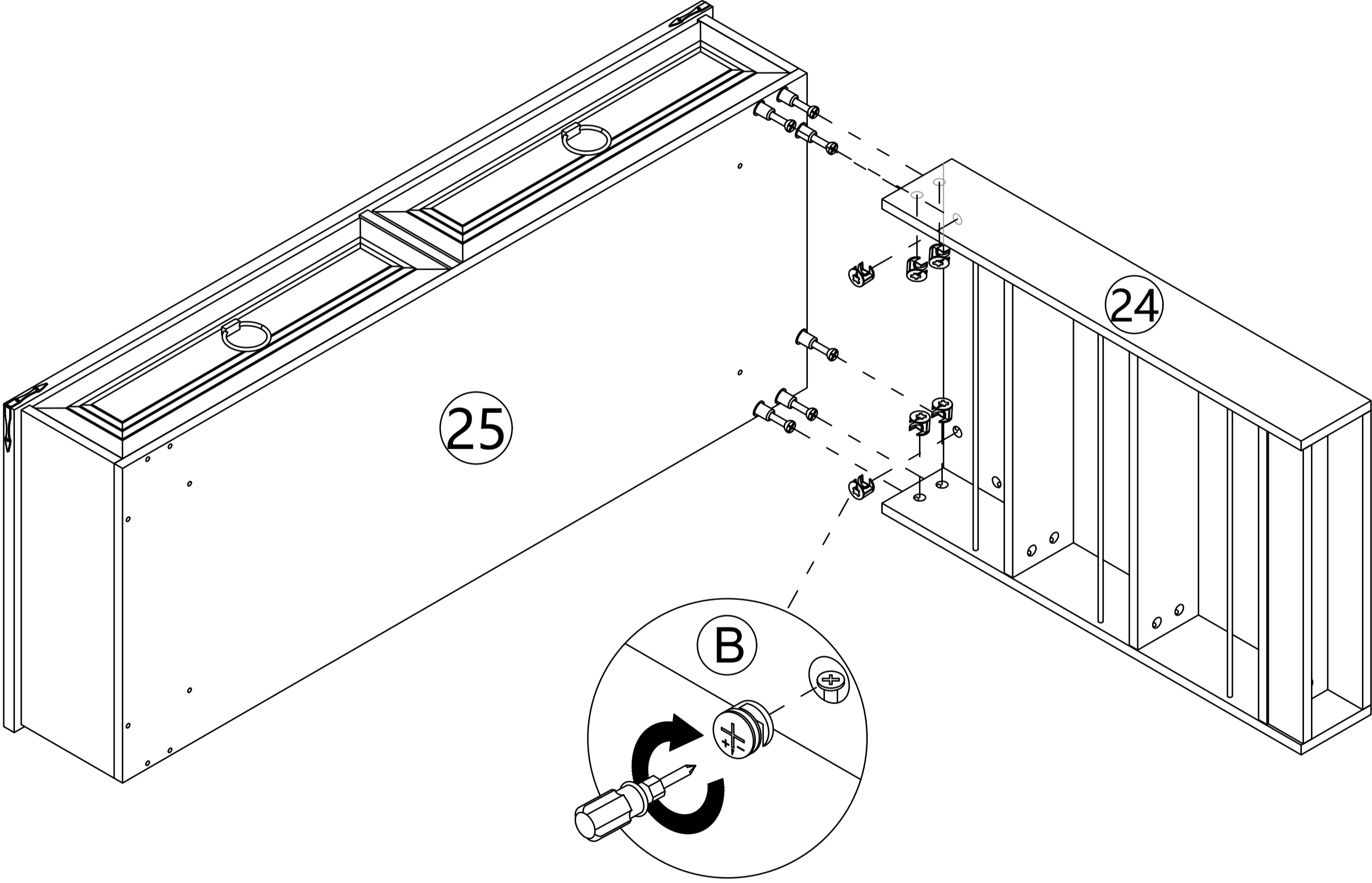
Step 53

B

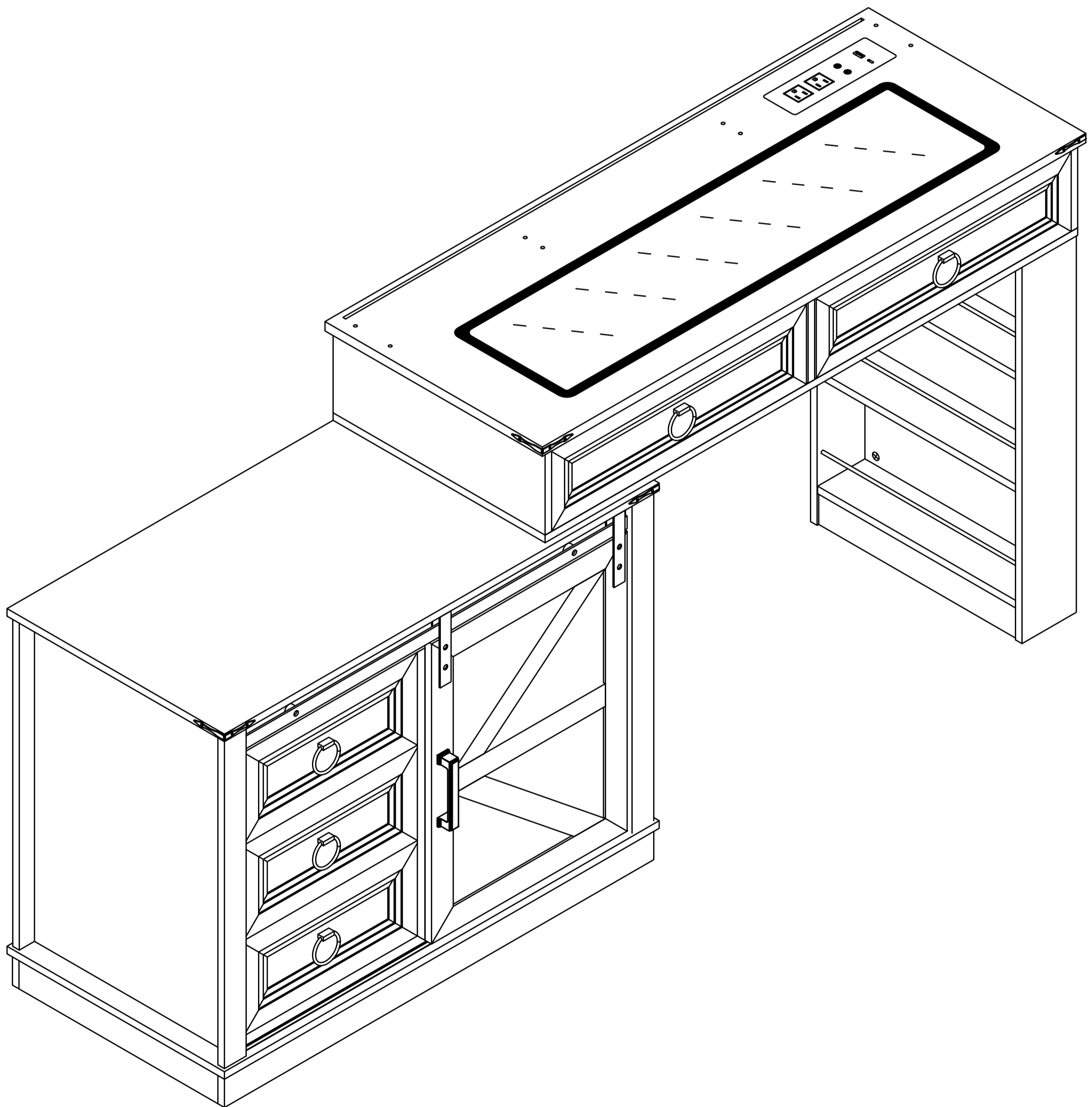


x6

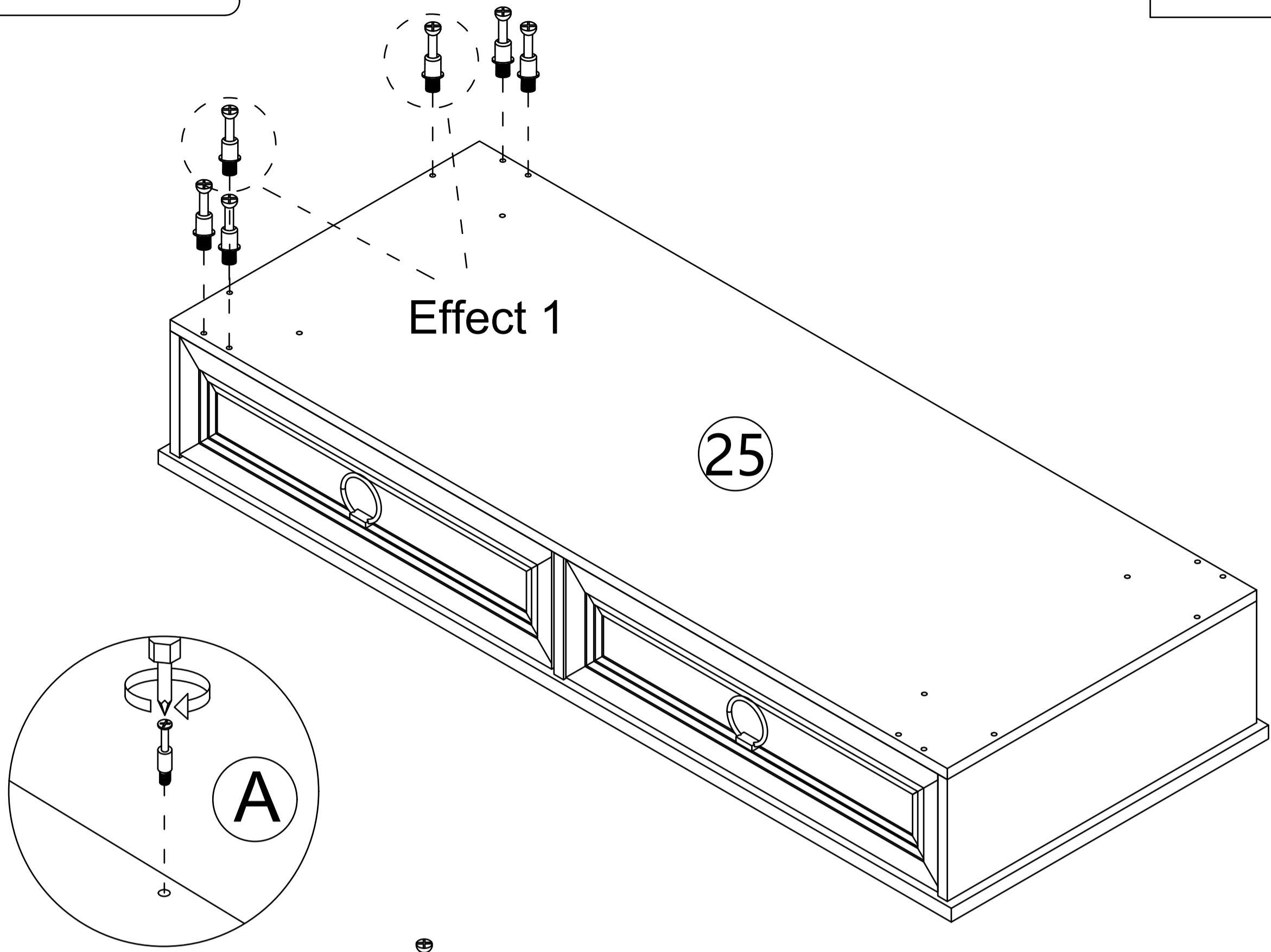
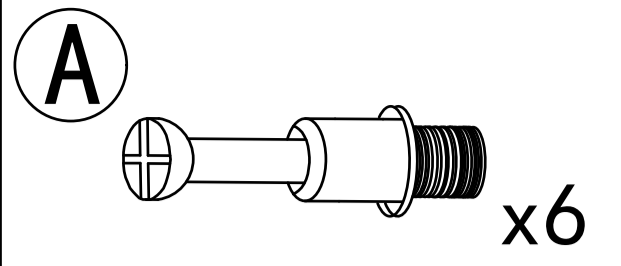
Effect 4



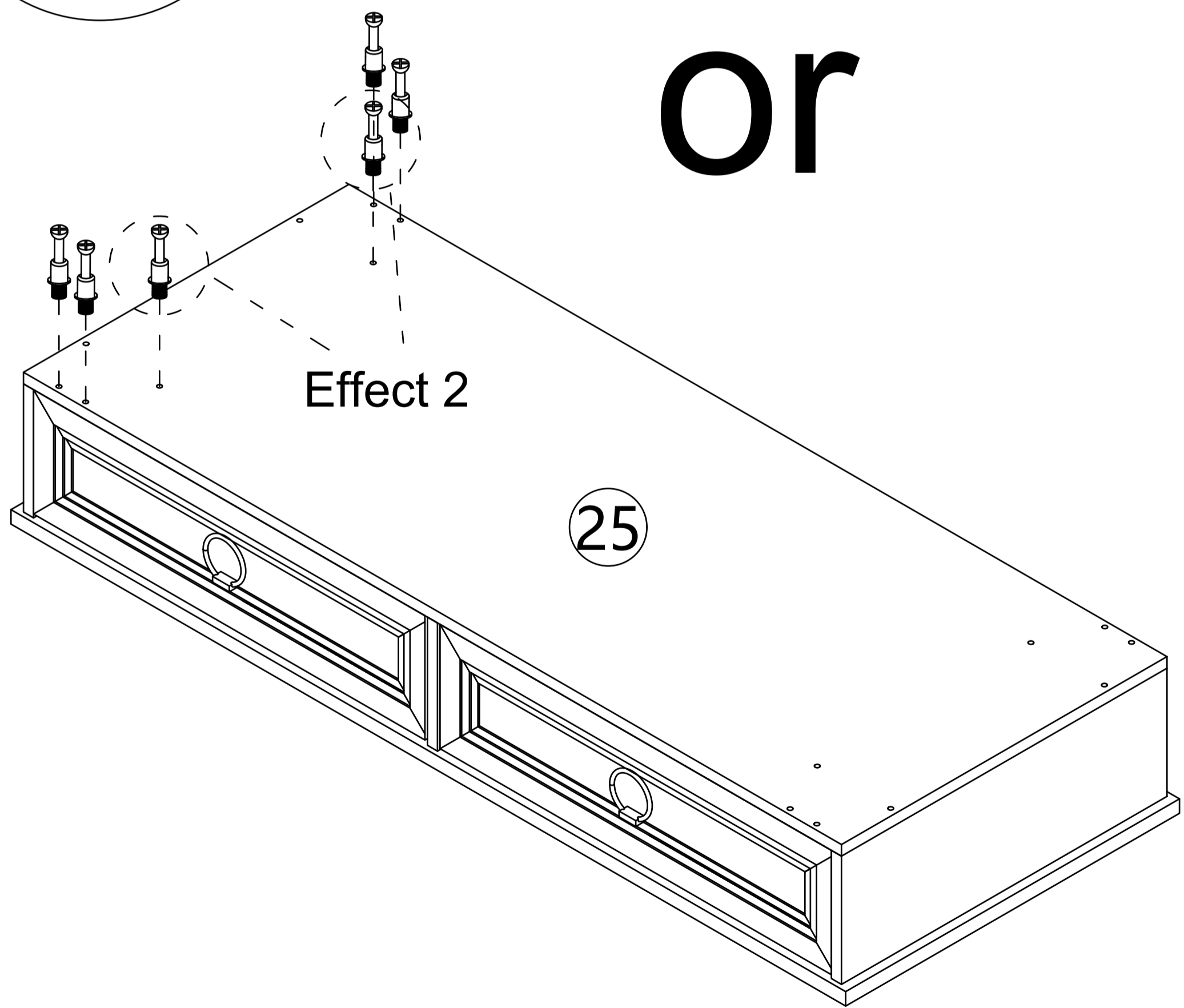
The placement effect of Effect 4



Step 54

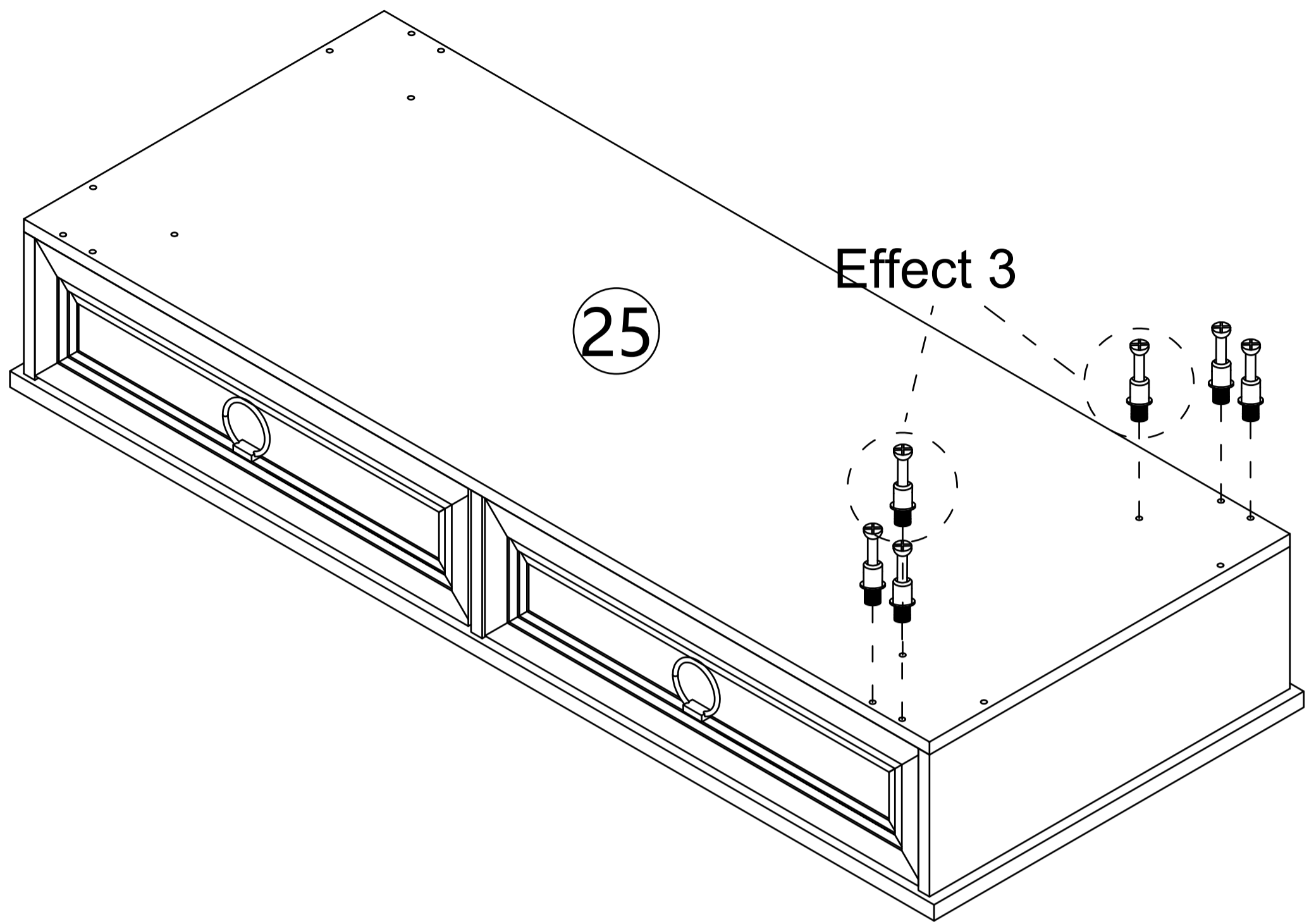
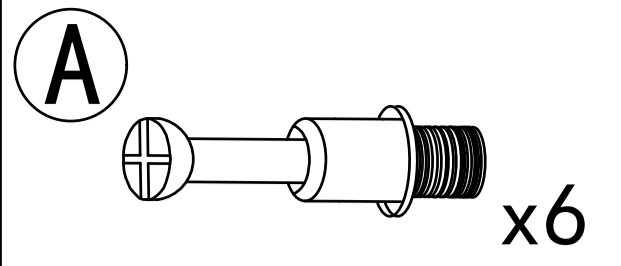


or

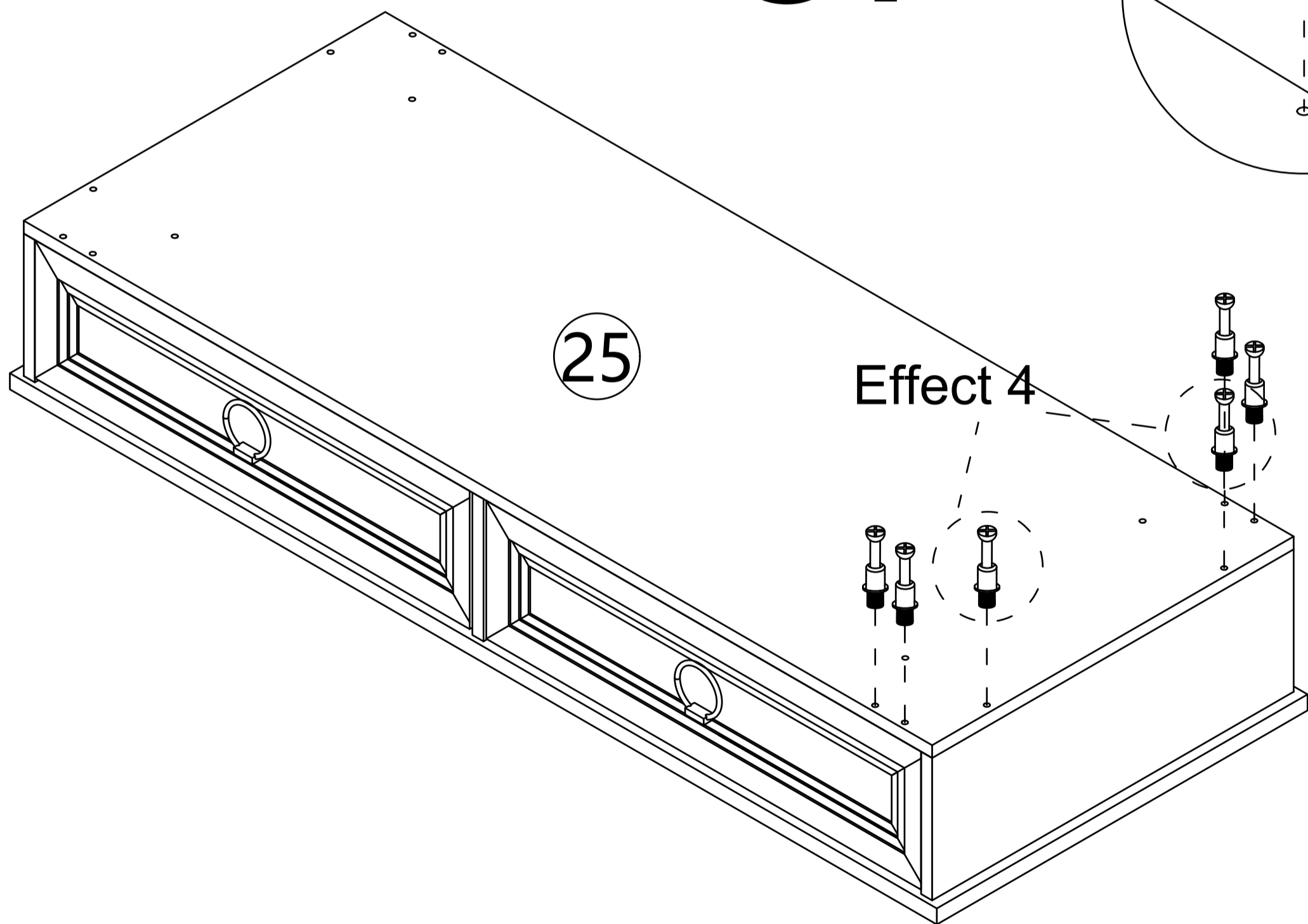
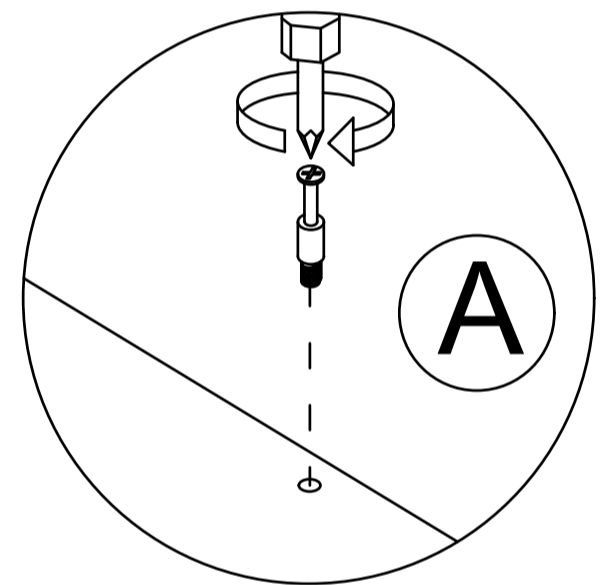


Attention: Before selecting the location to install, please review the four effects first

Step 55

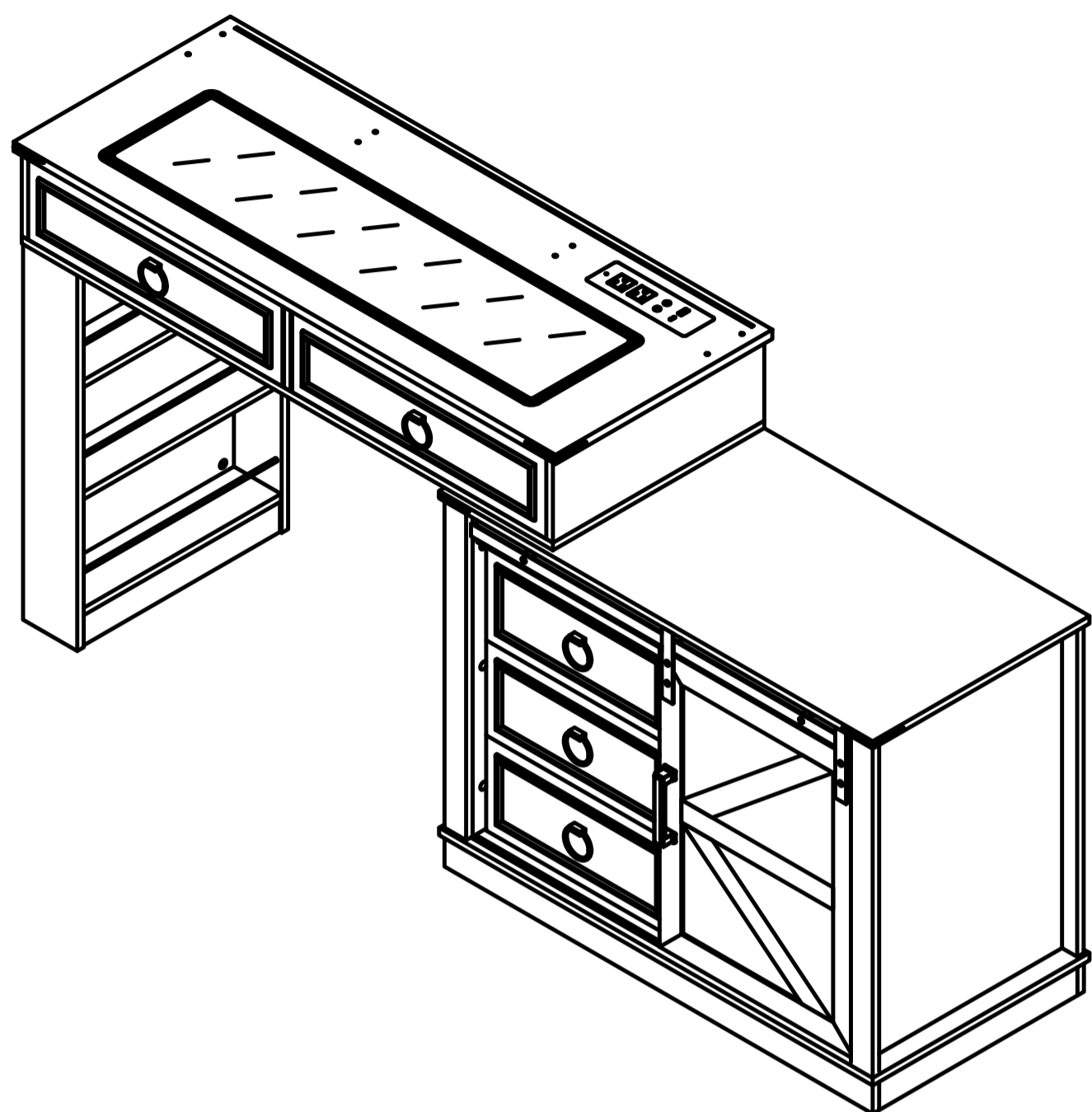


or

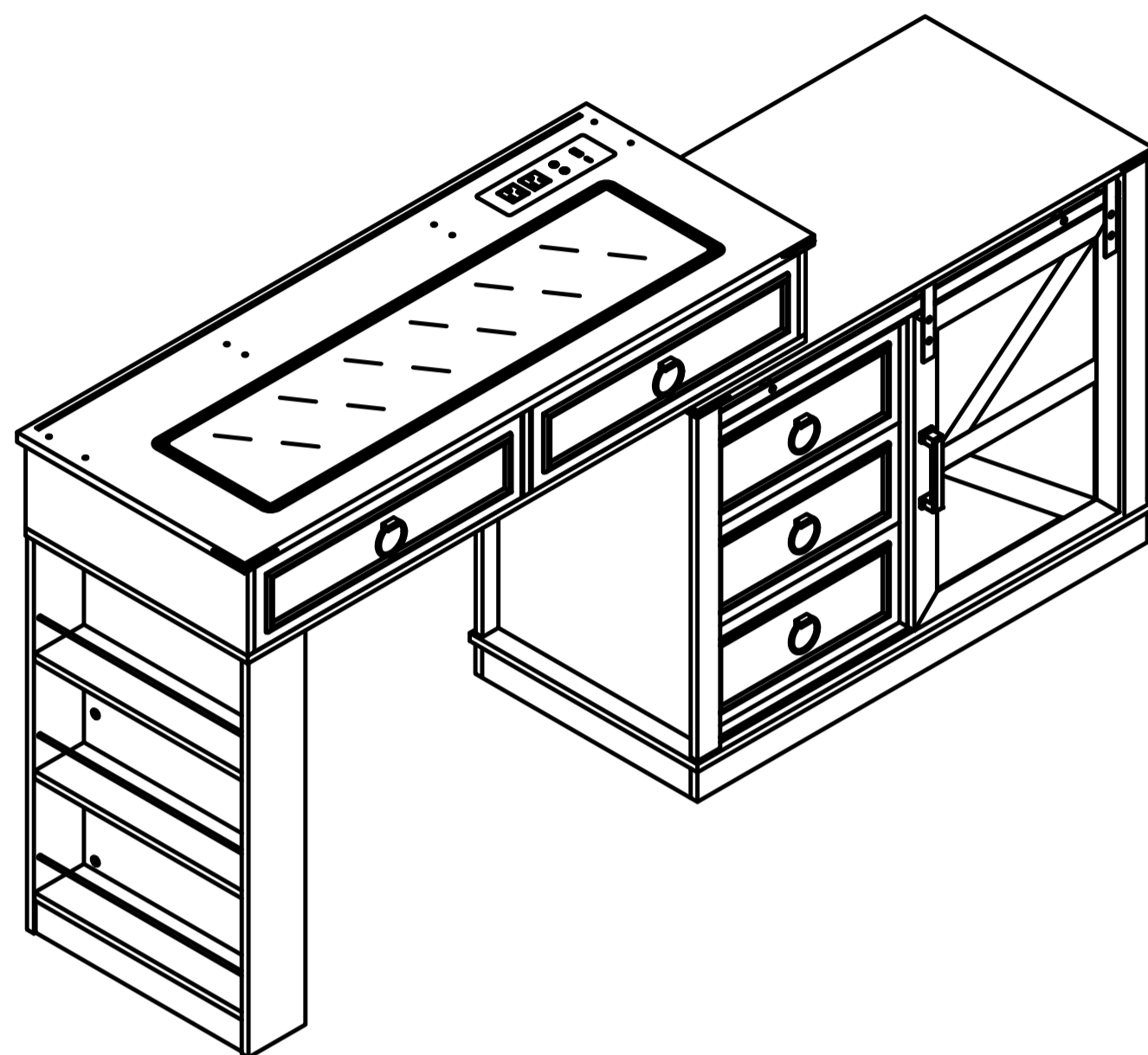


Attention: Before selecting the location to install, please review the four effects first

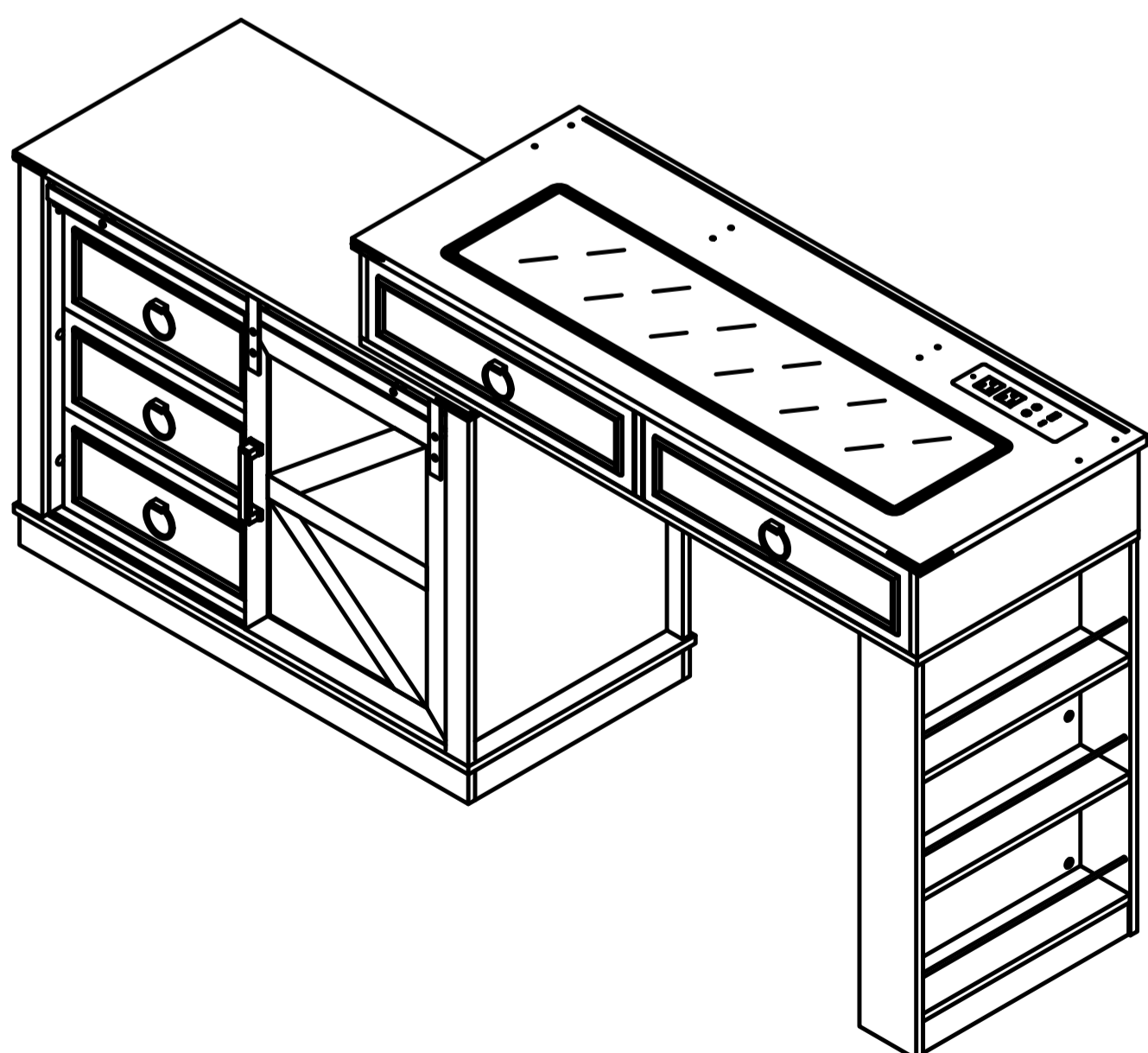
Effect 1



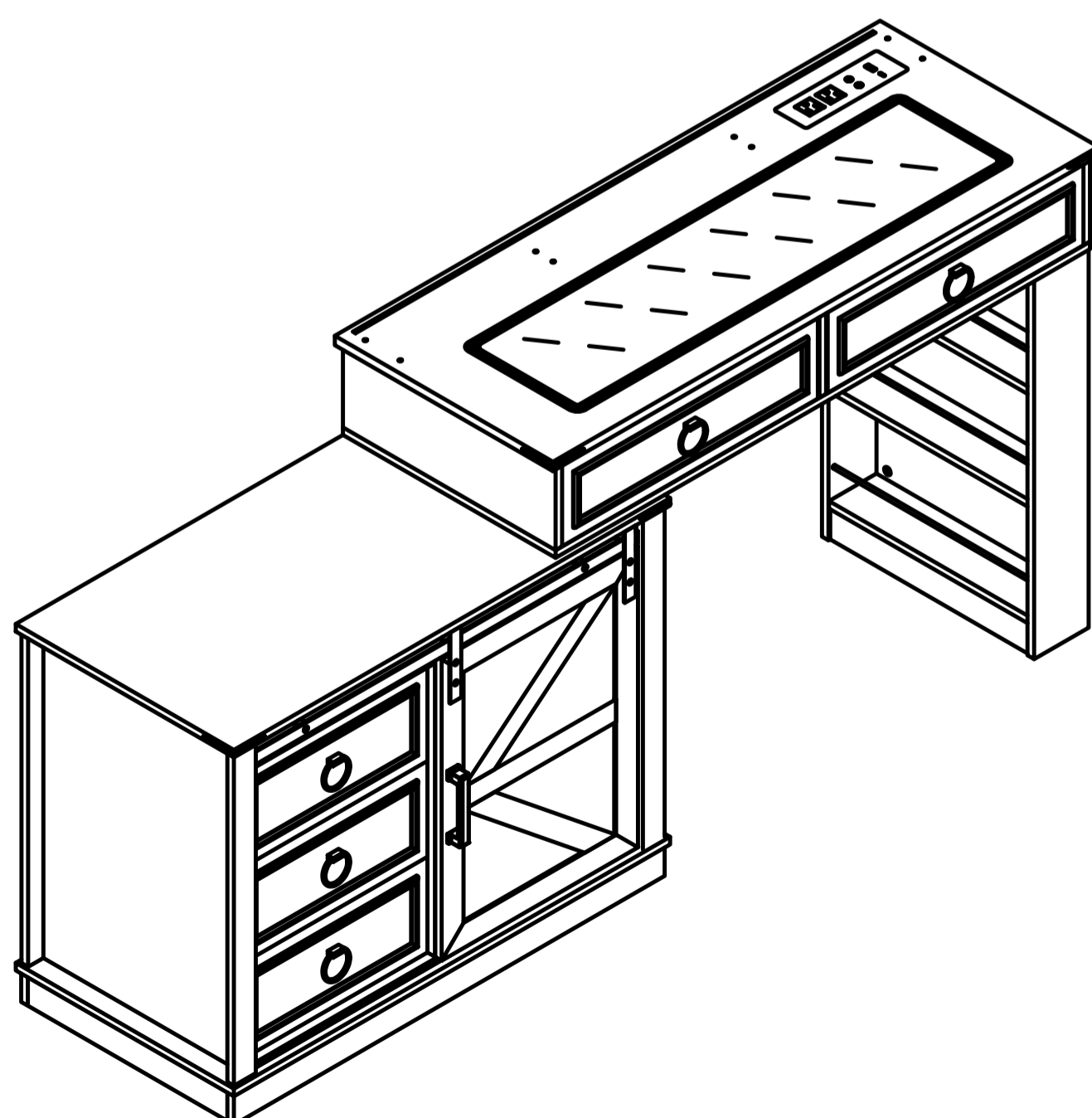
Effect 2



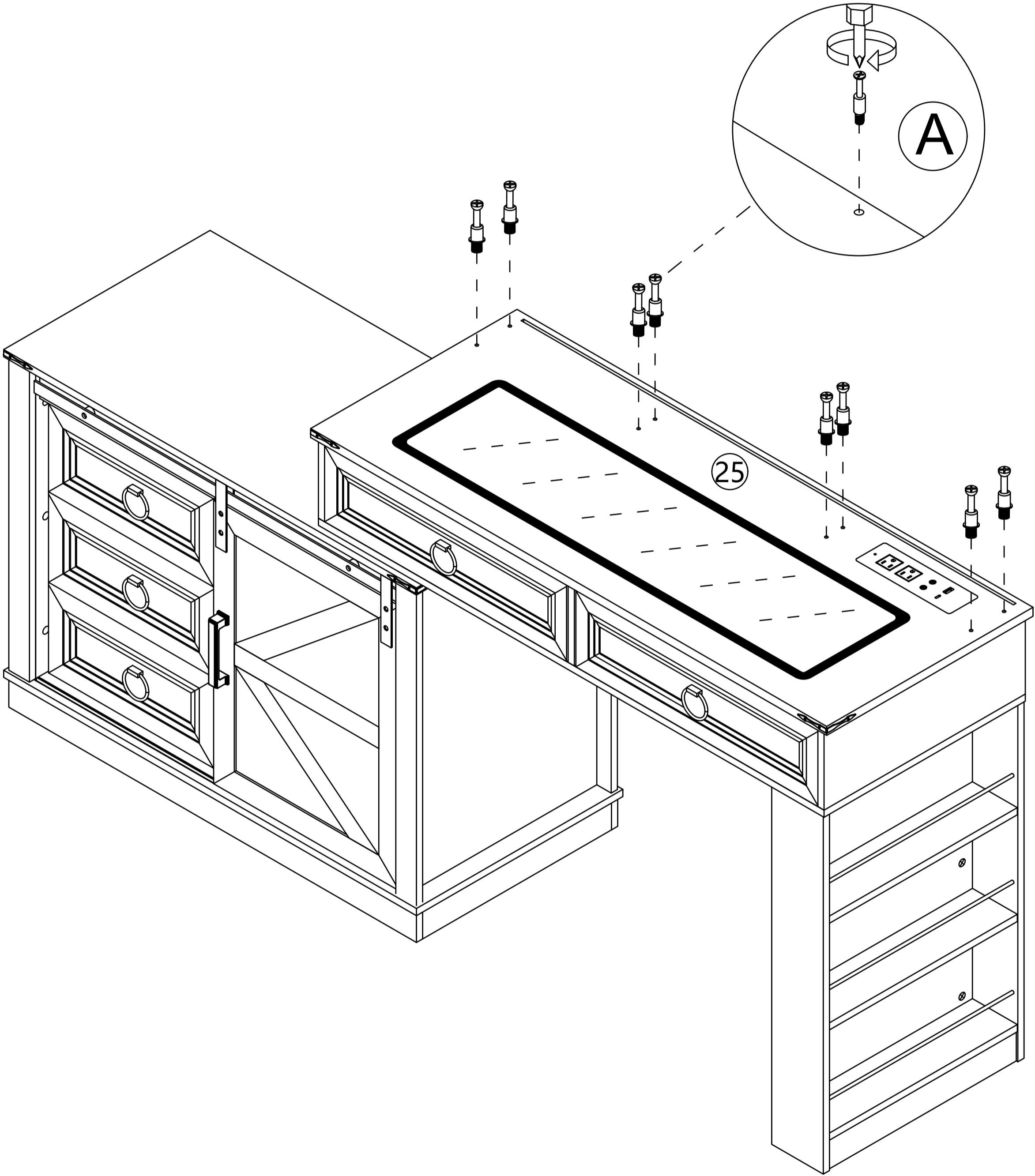
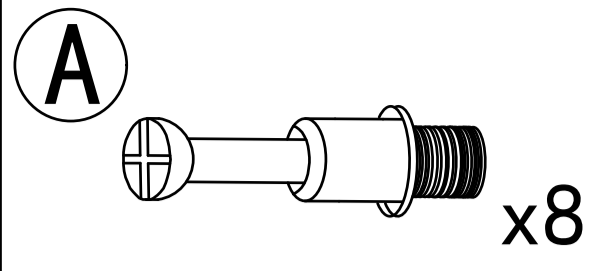
Effect 3



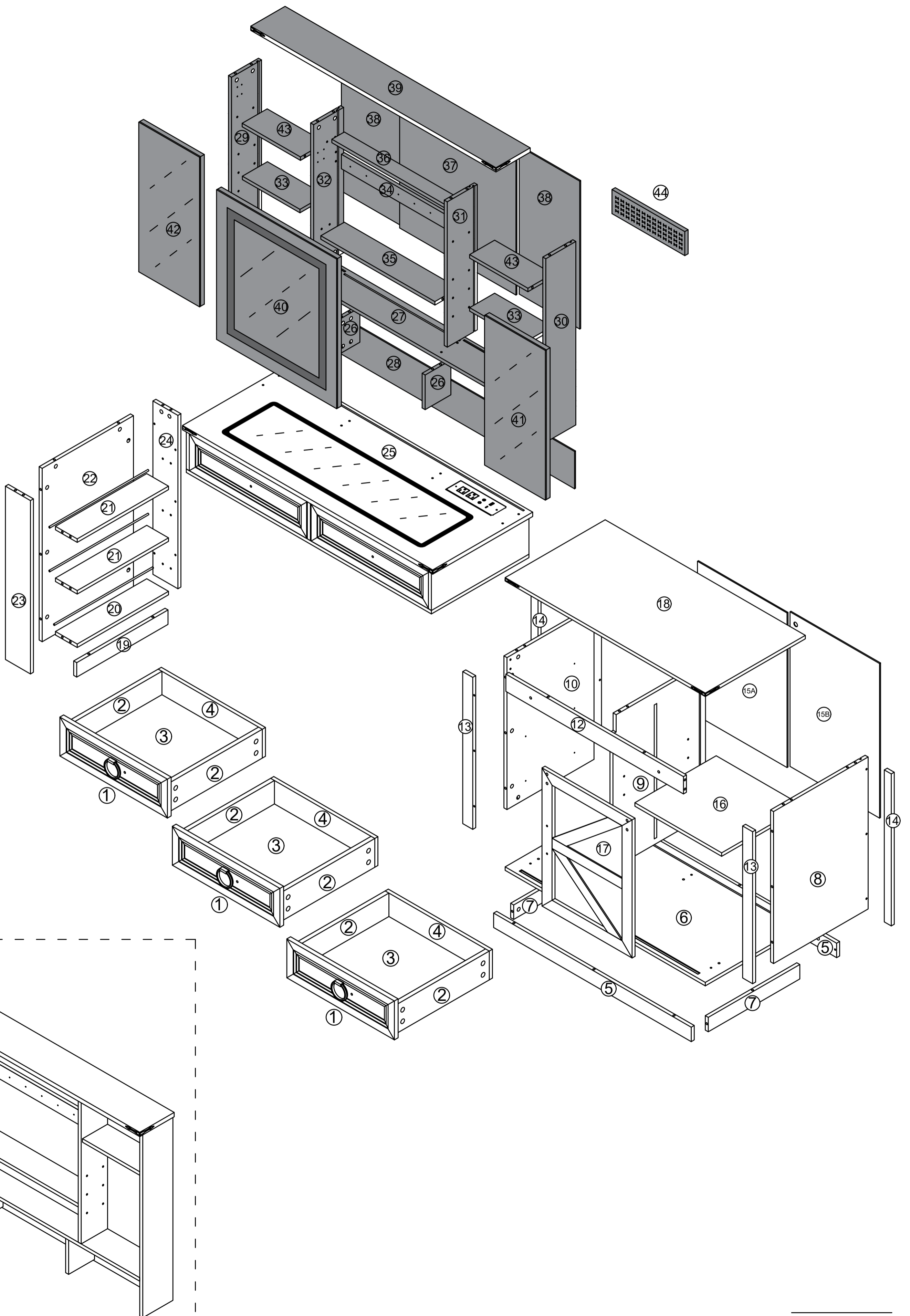
Effect 4



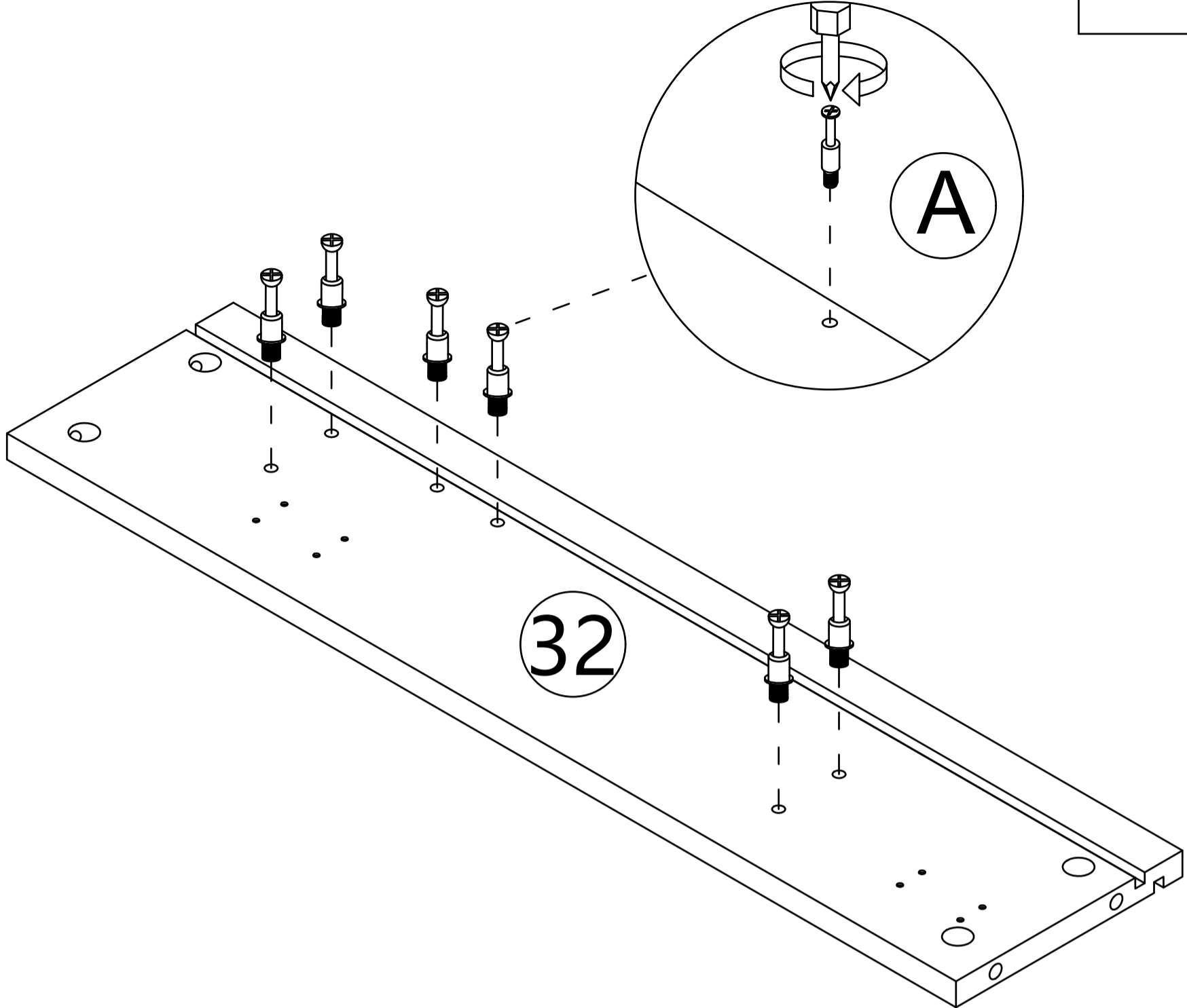
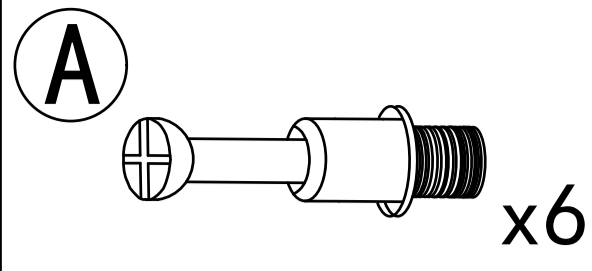
Step 56



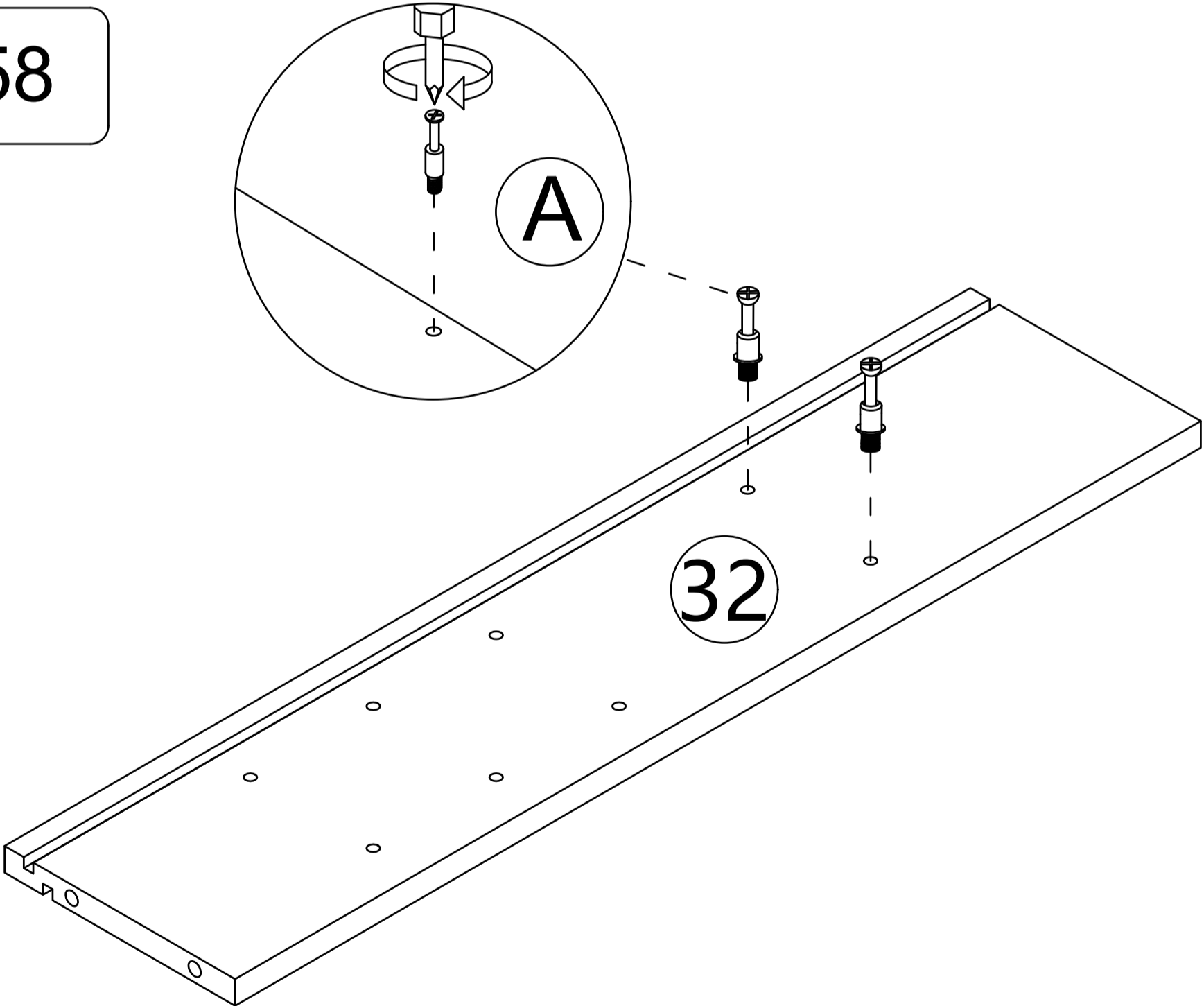
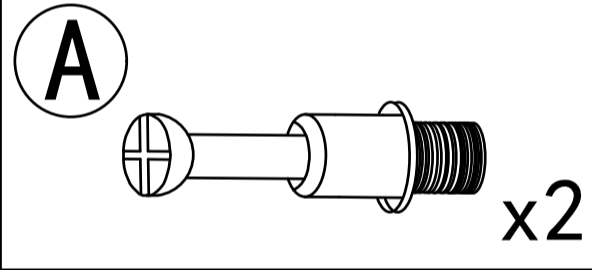
Product structure decomposition



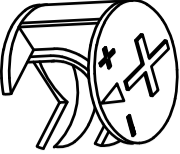
Step 57

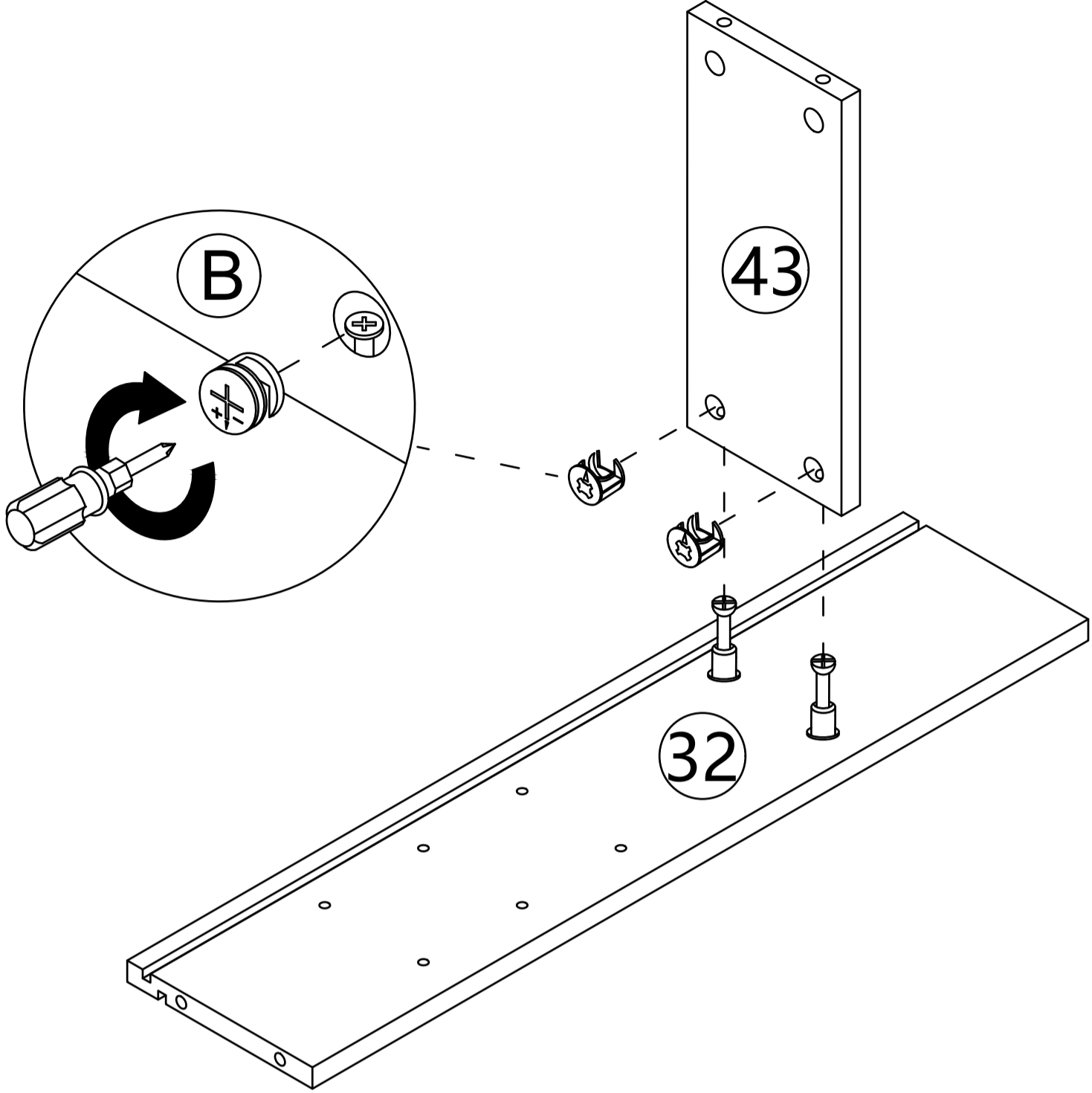


Step 58

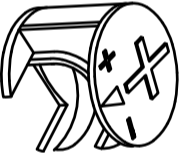


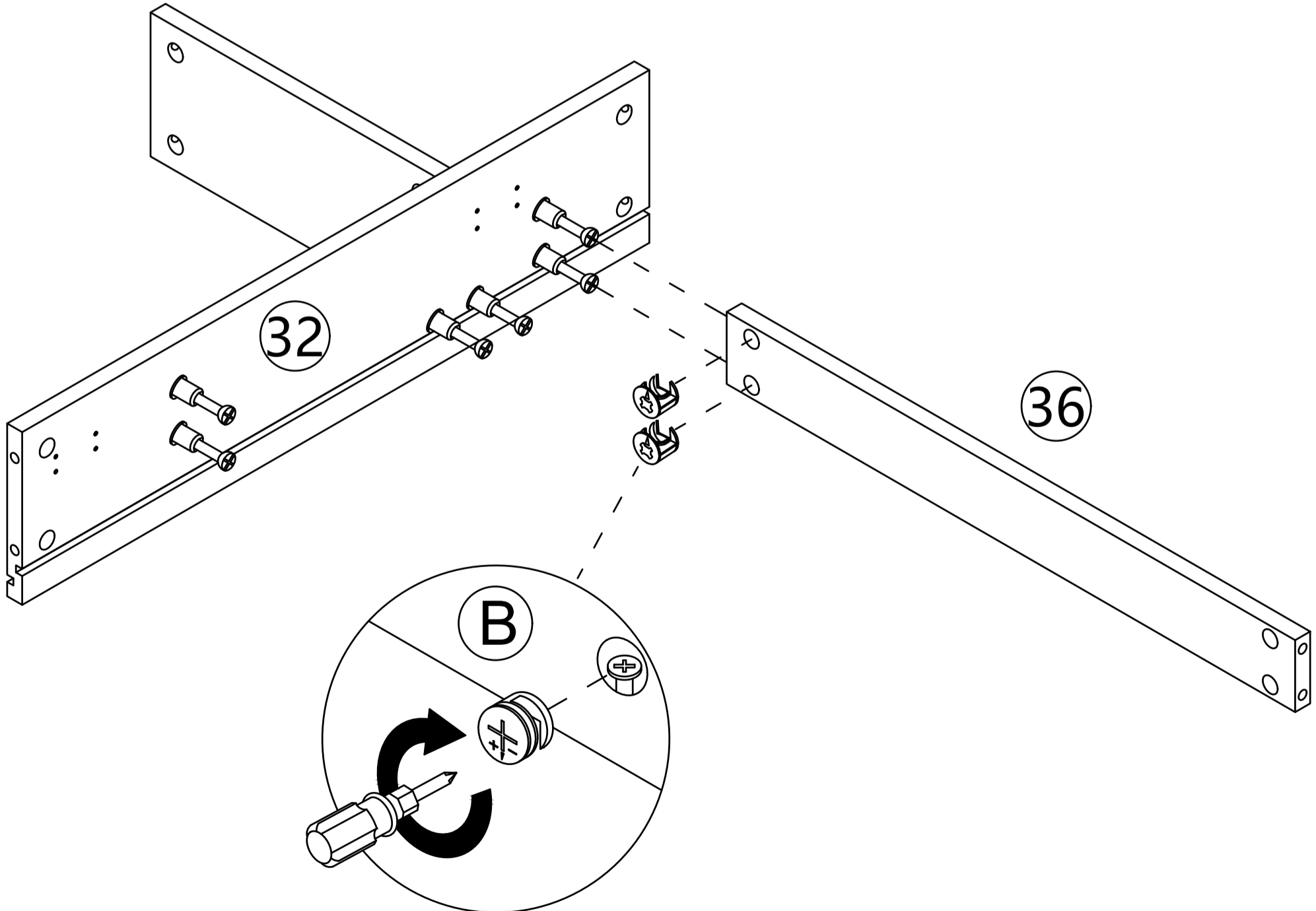
Step 59

B  x2

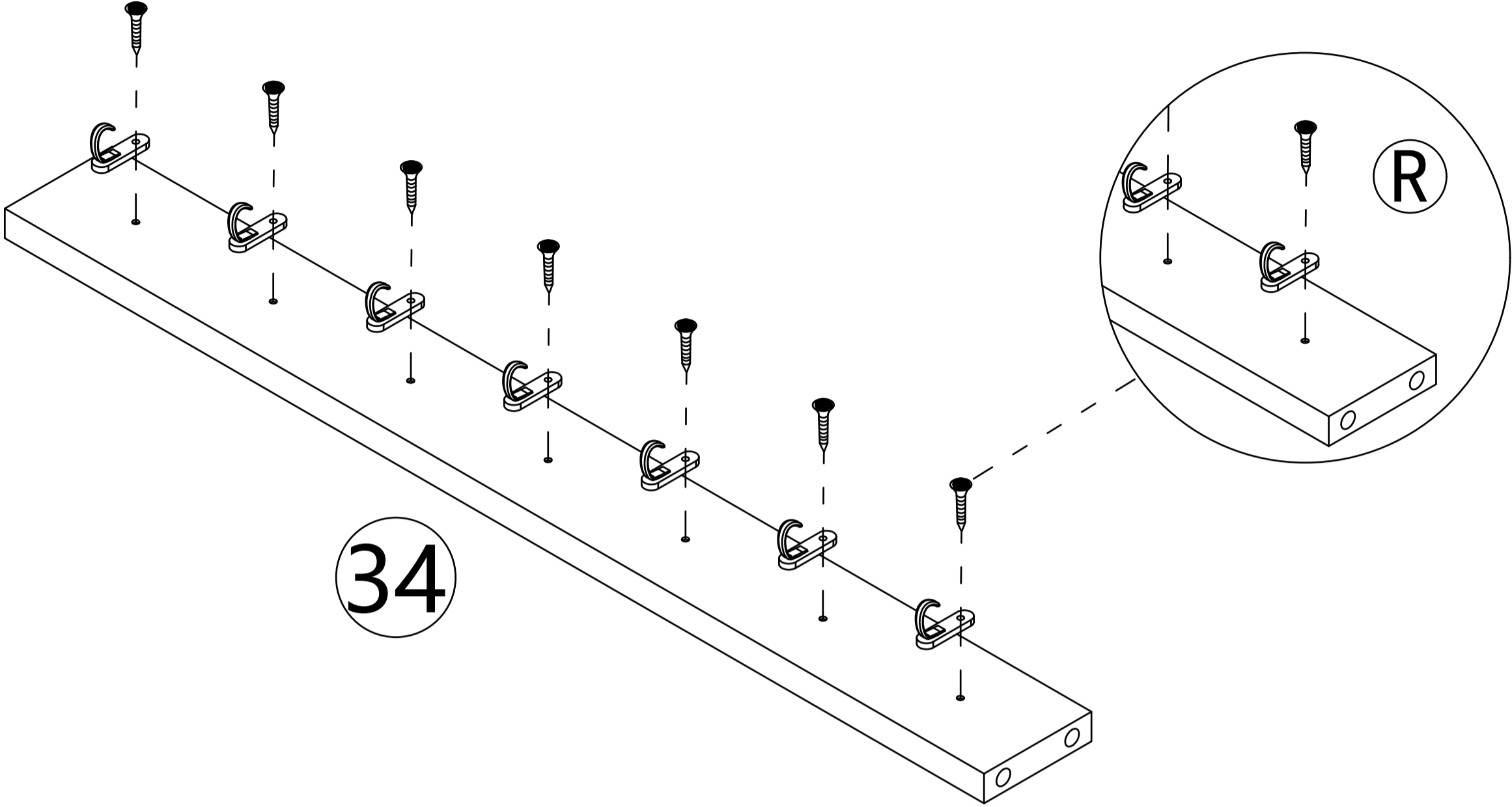
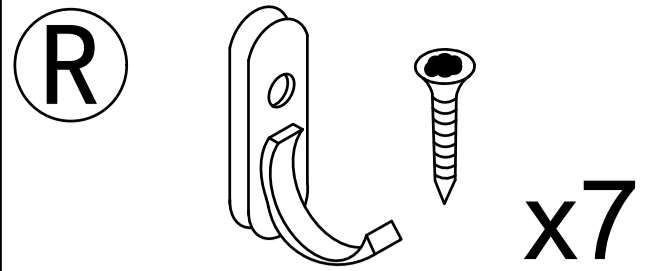


Step 60

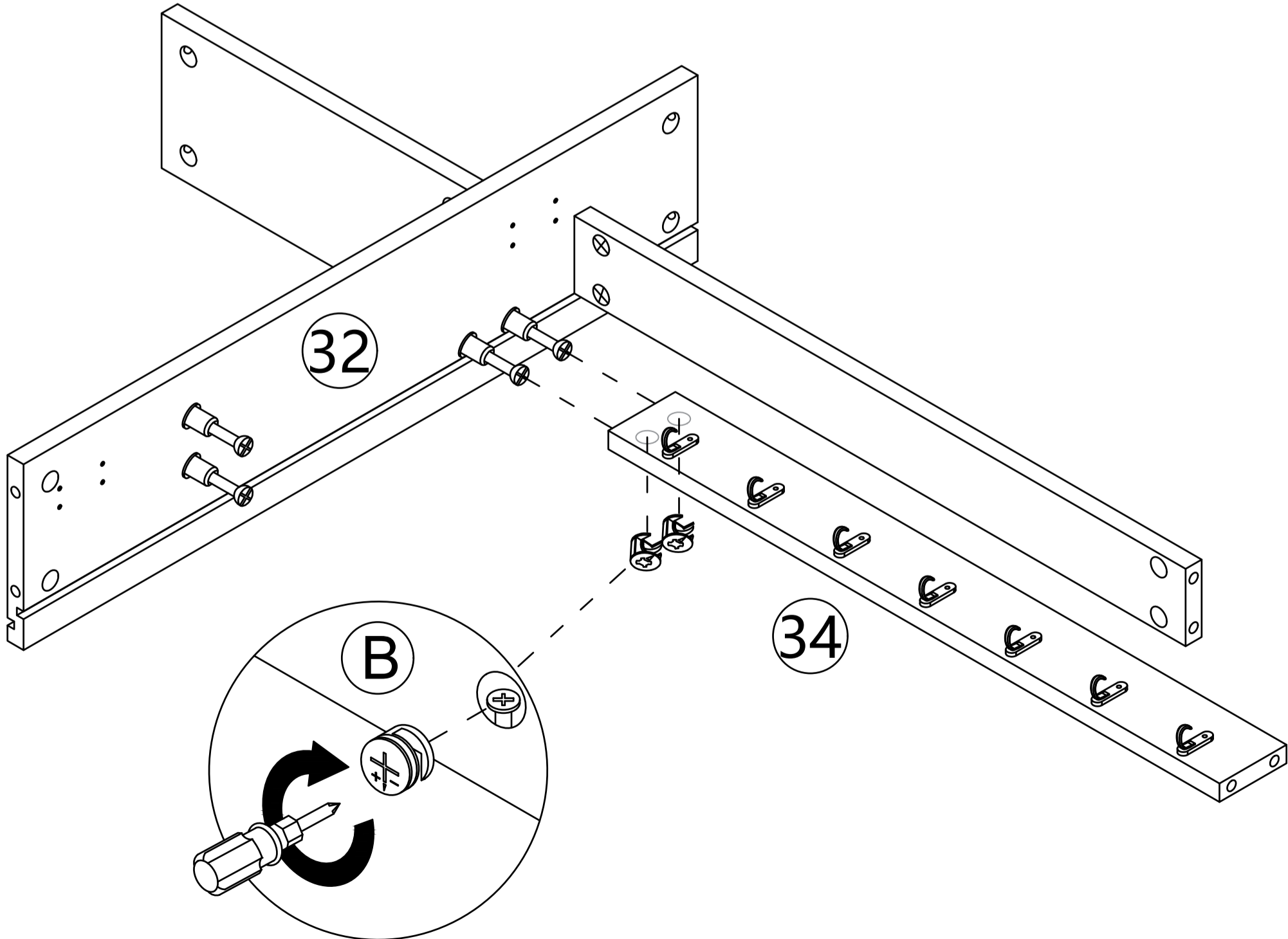
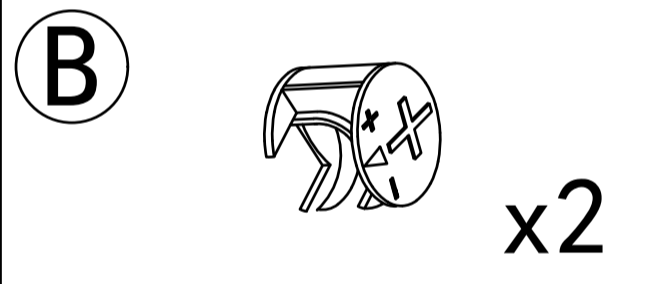
B  x2



Step 61



Step 62

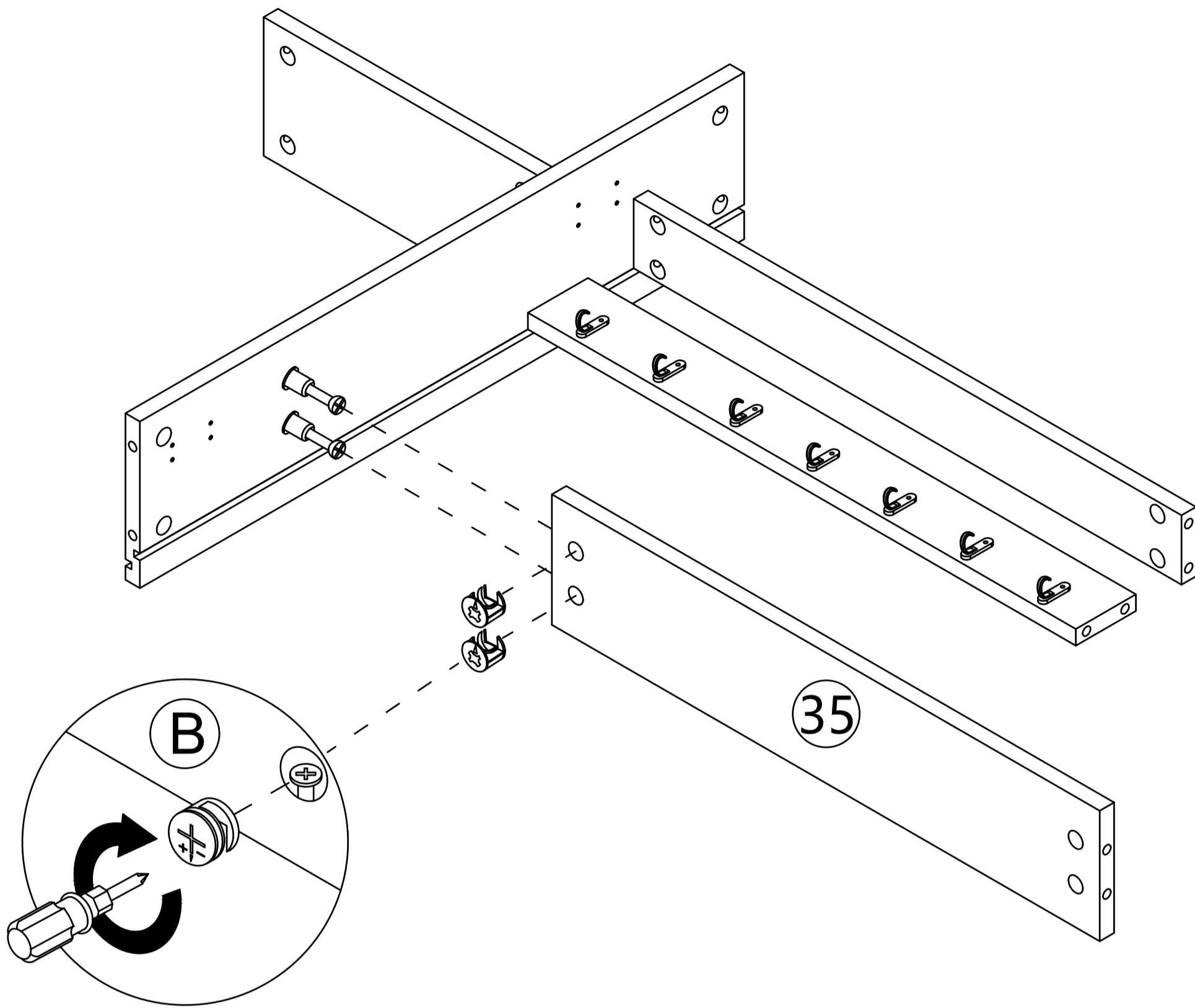


Step 63

B

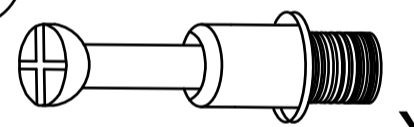


x2

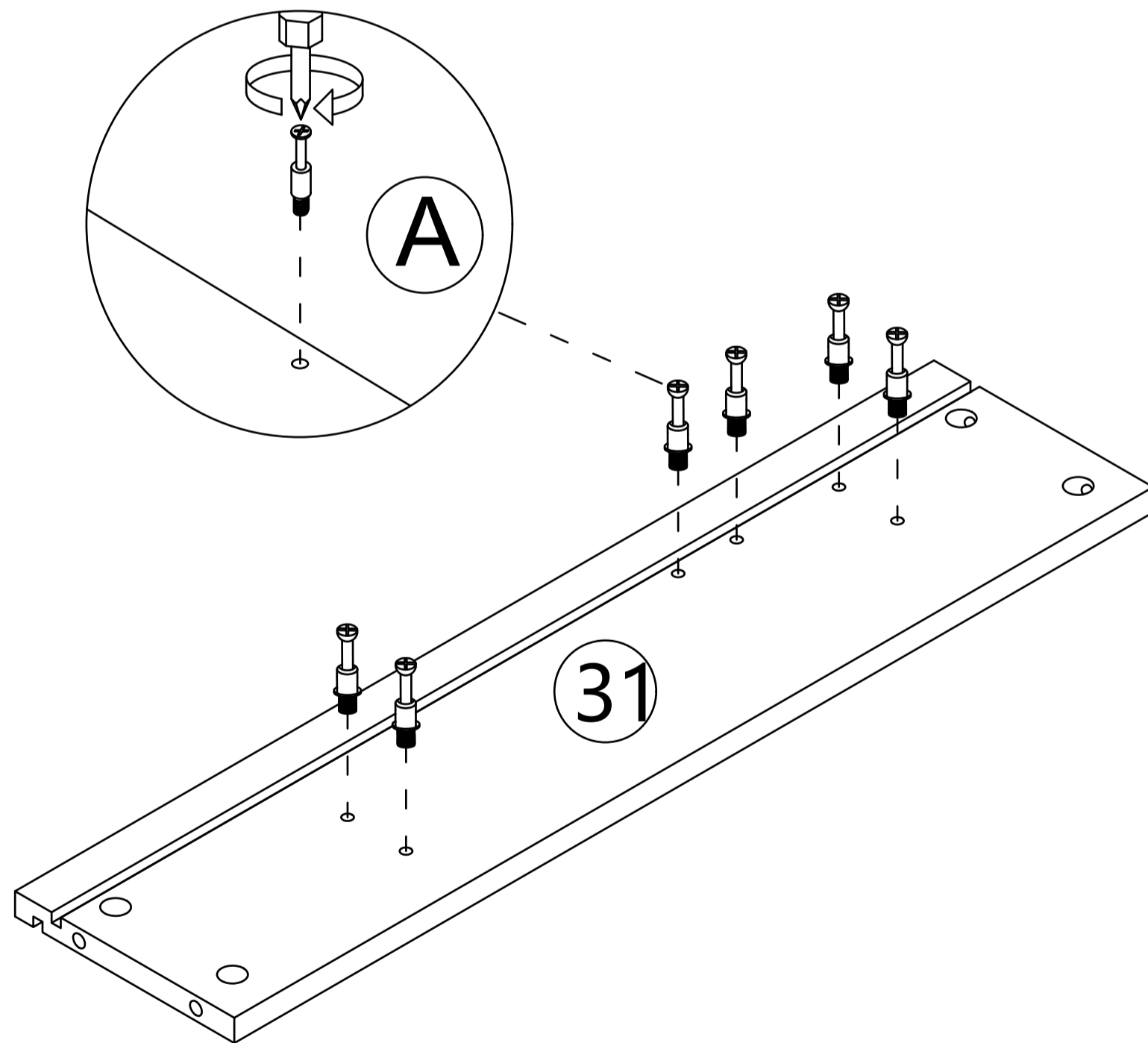


Step 64

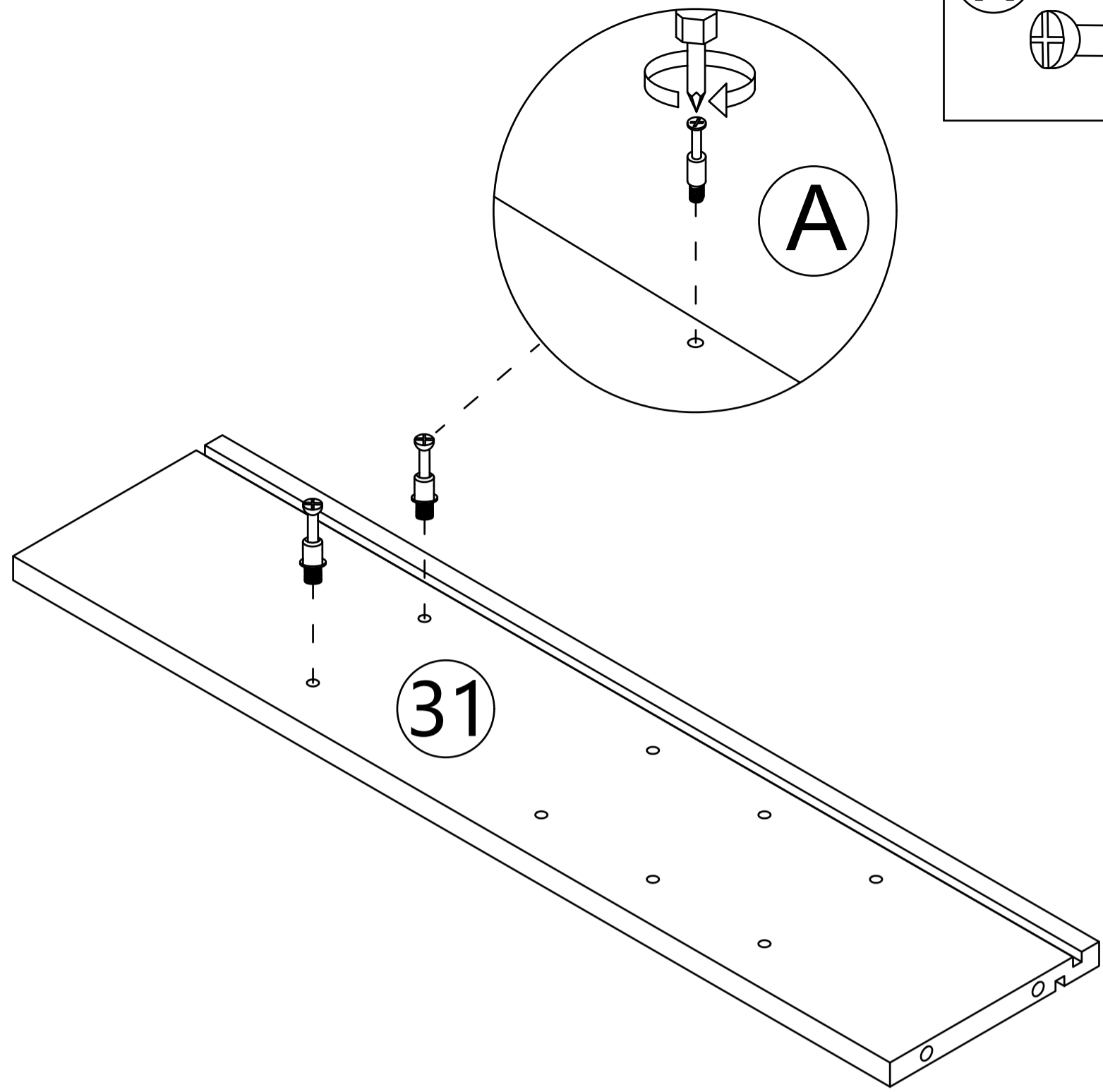
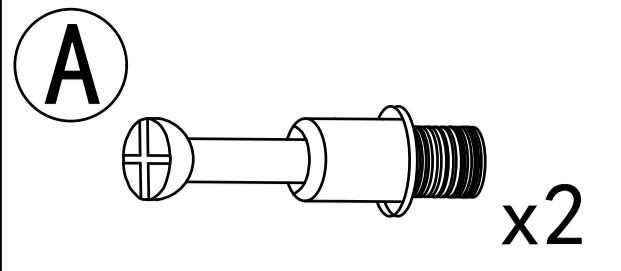
A



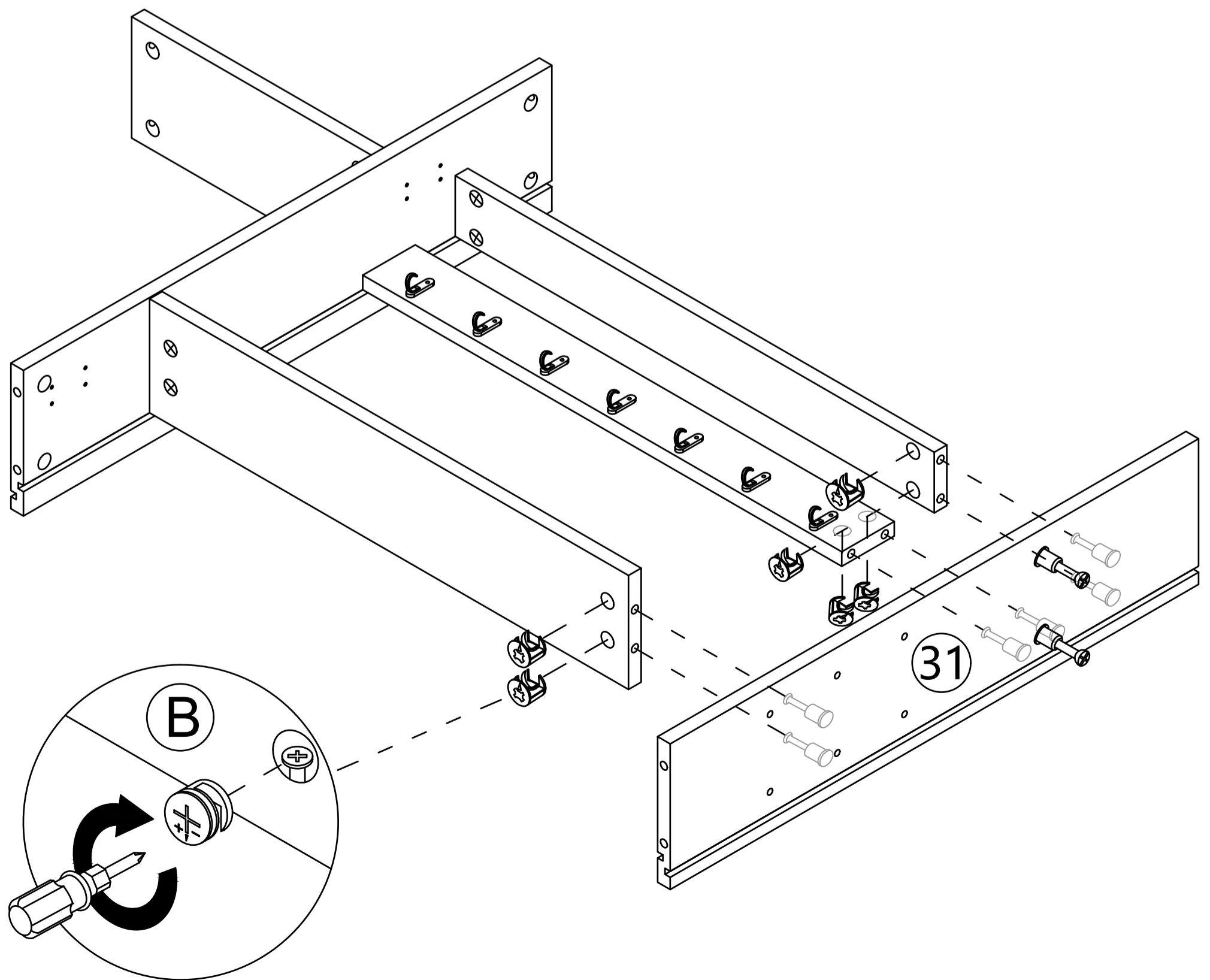
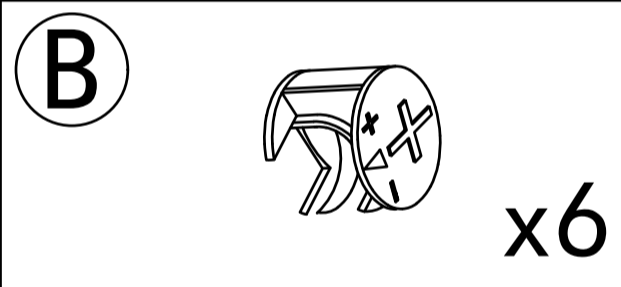
x6



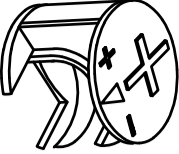
Step 65

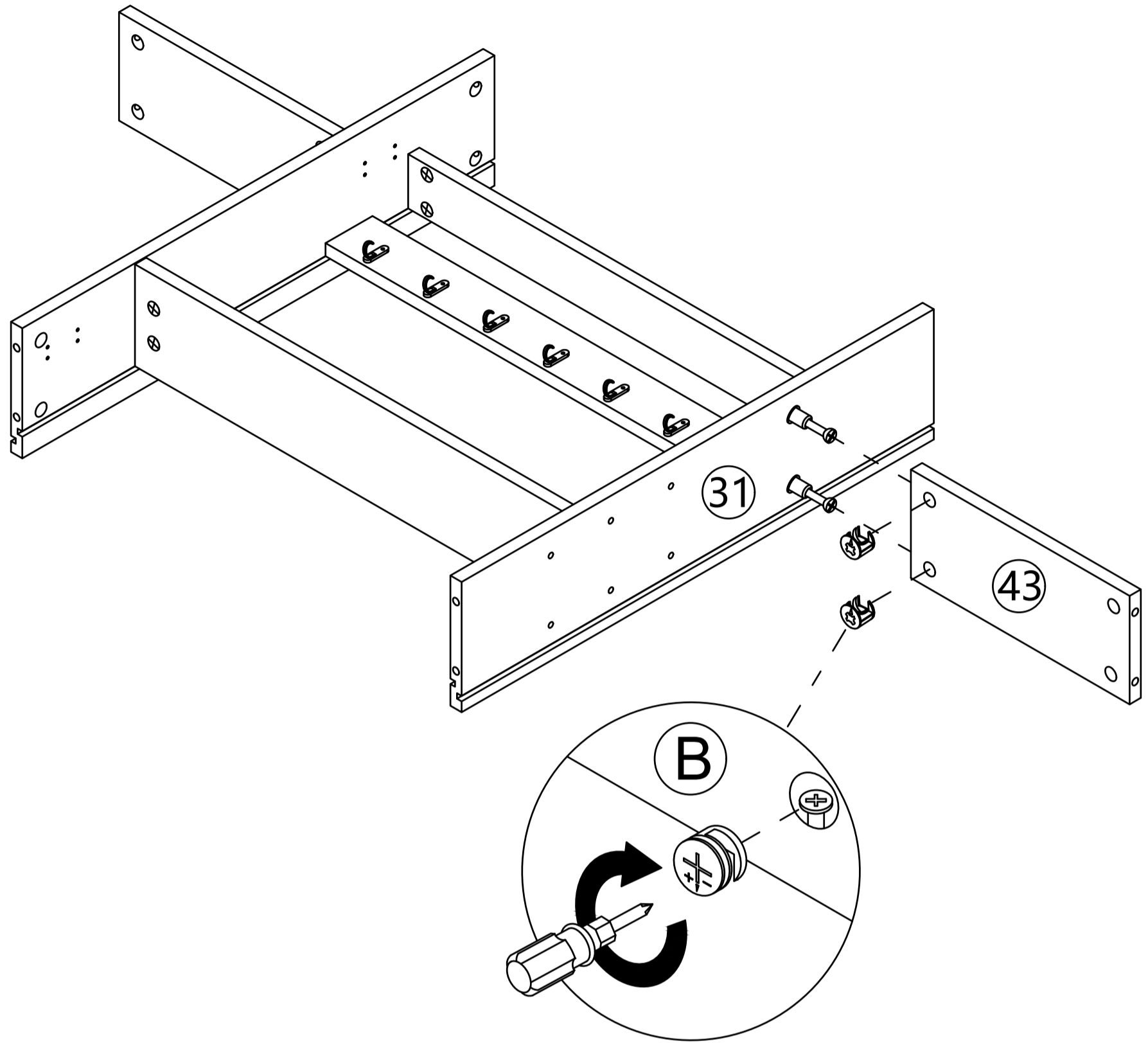


Step 66

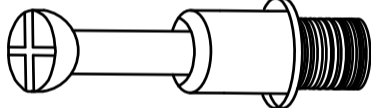


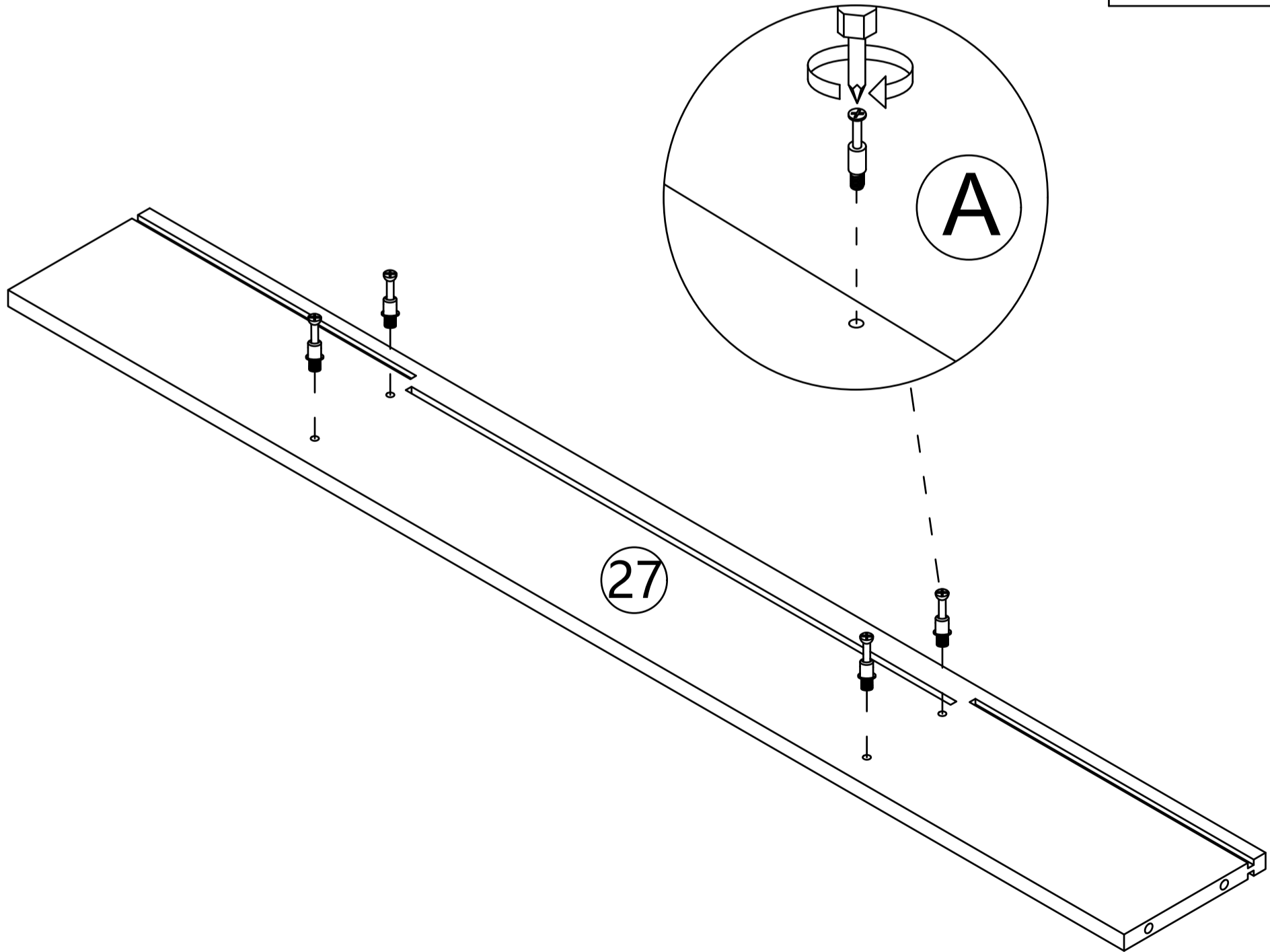
Step 67

B  x2

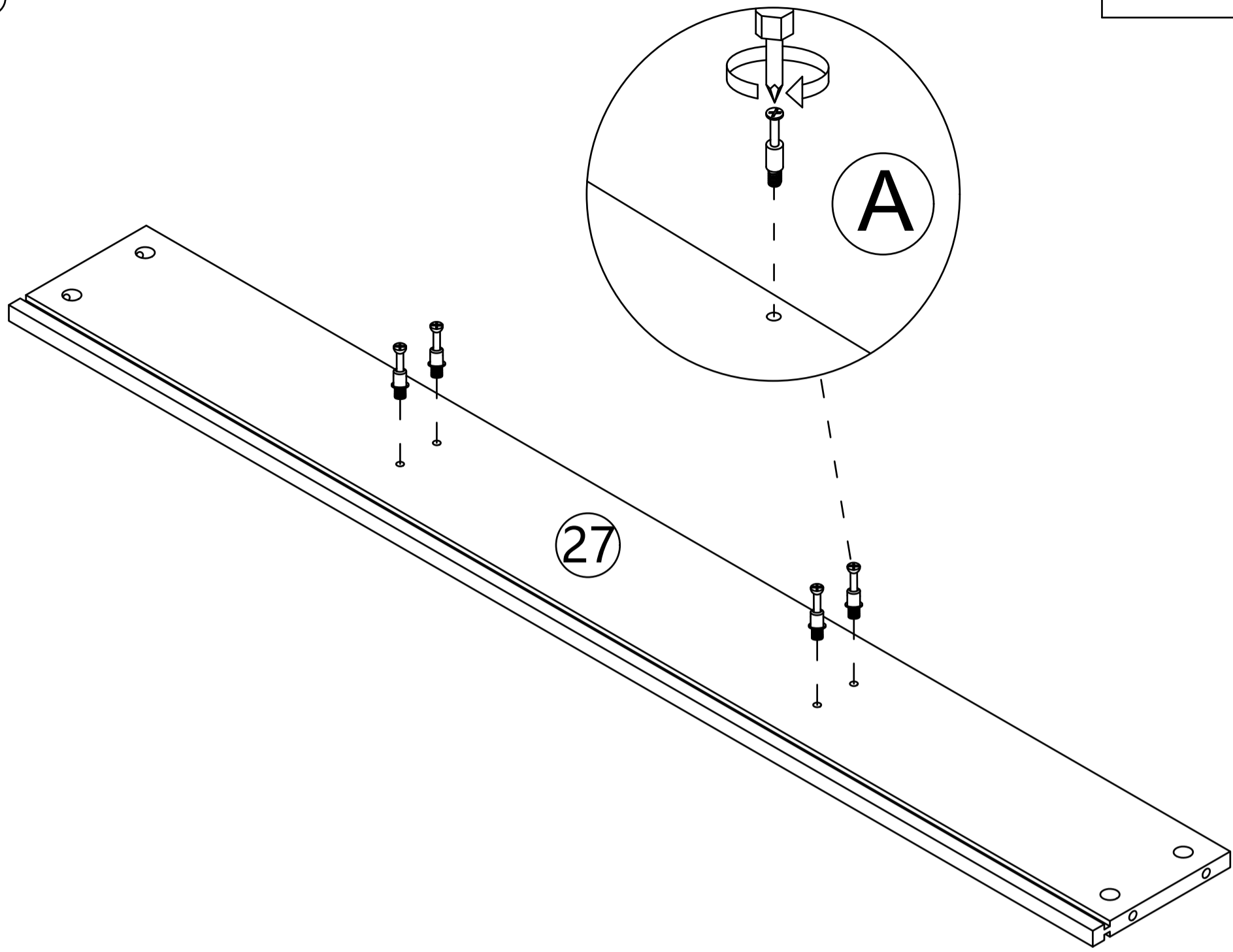
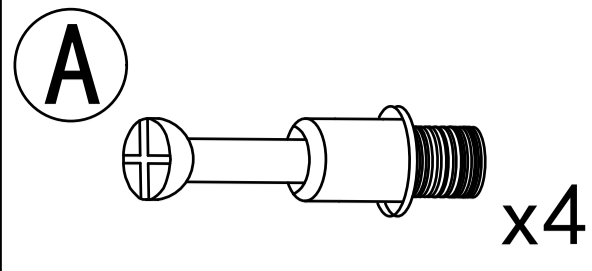


Step 68

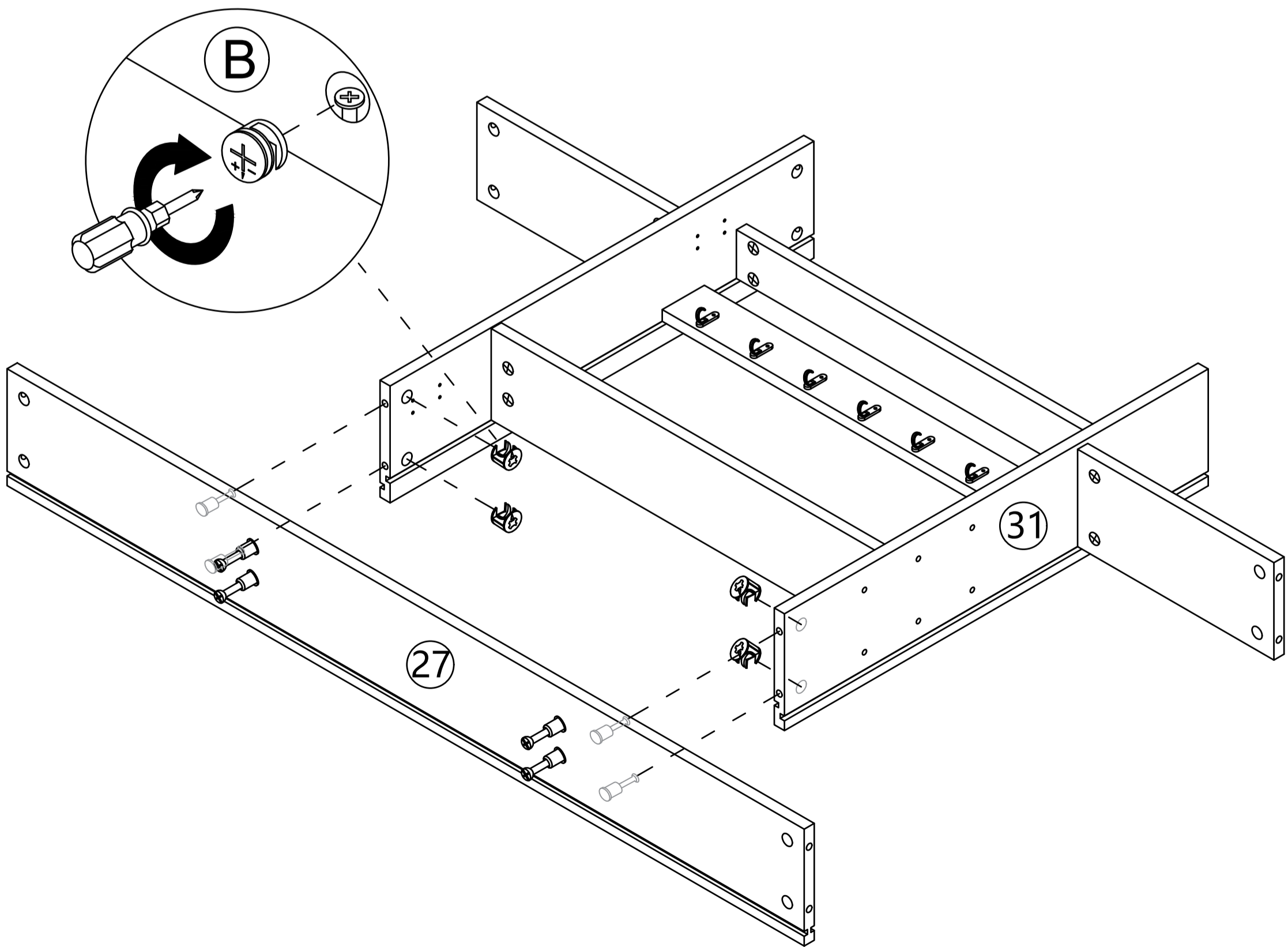
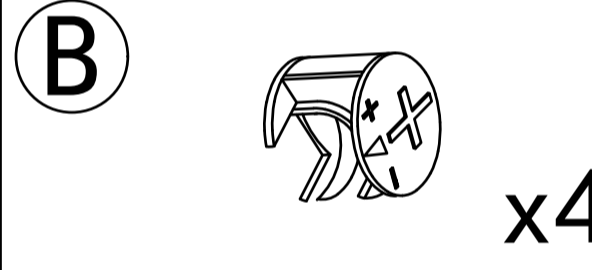
A  x4



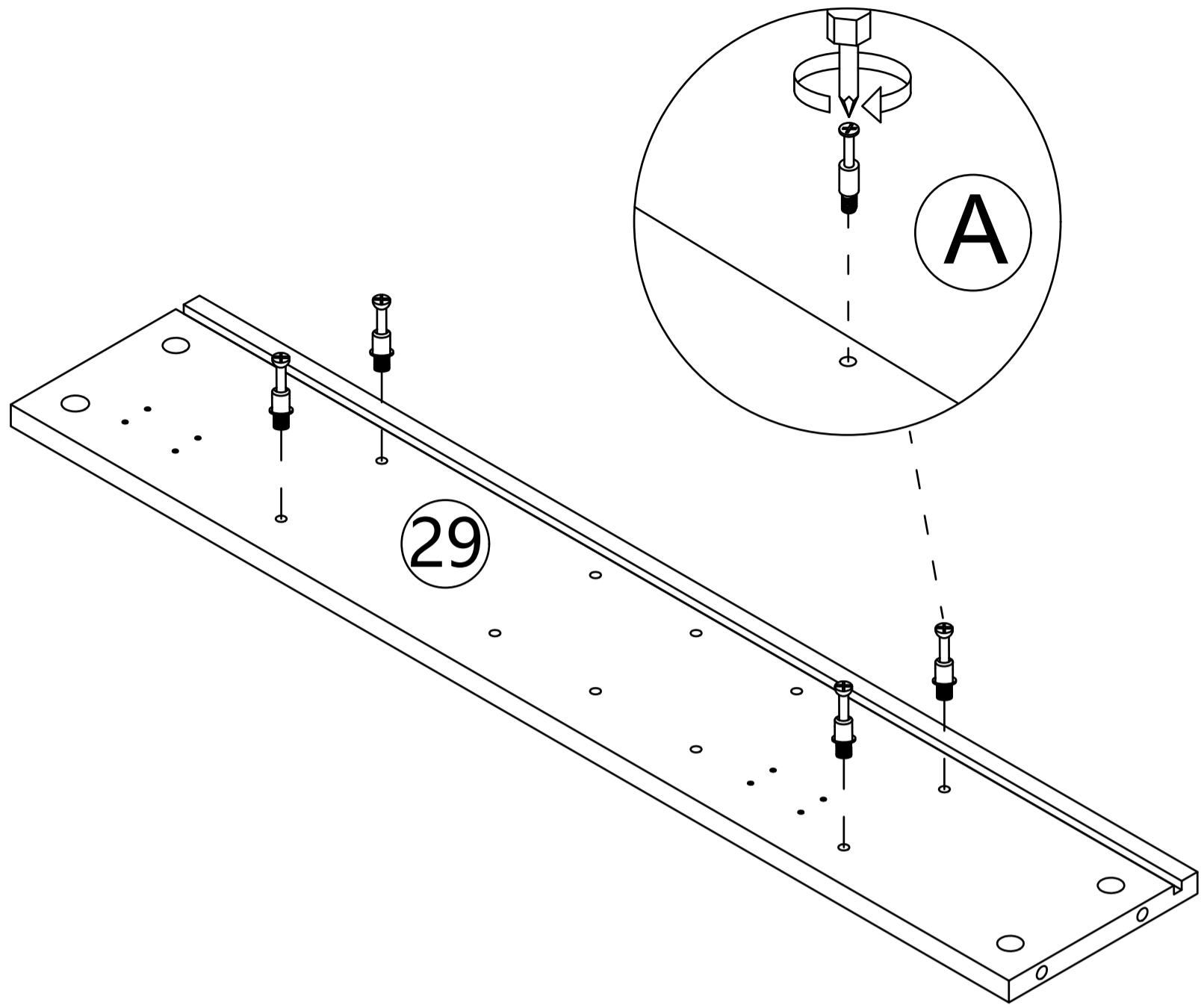
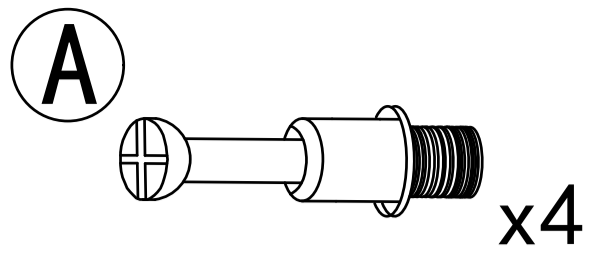
Step 69



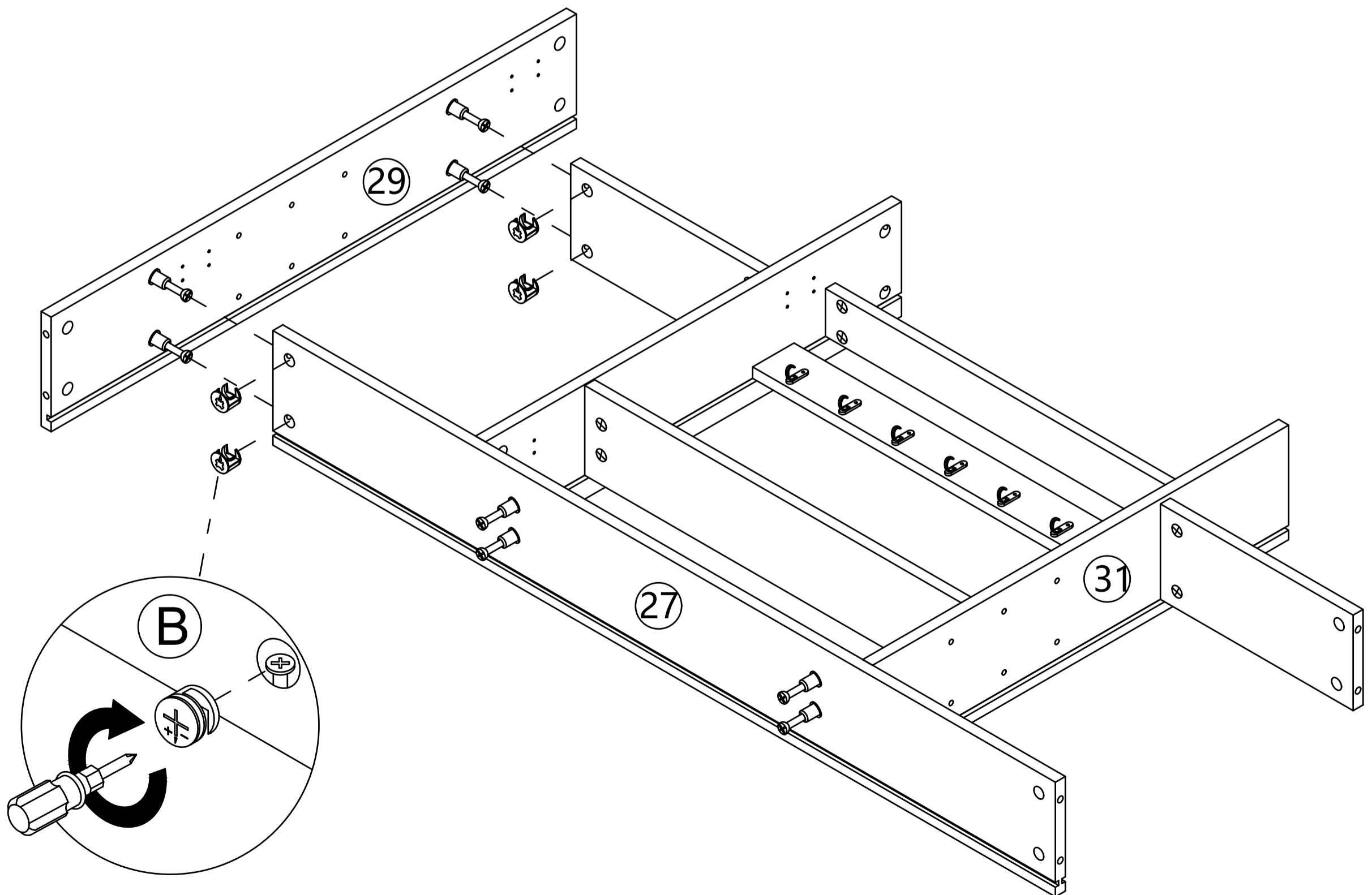
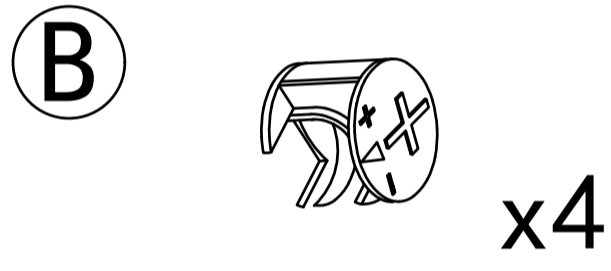
Step 70



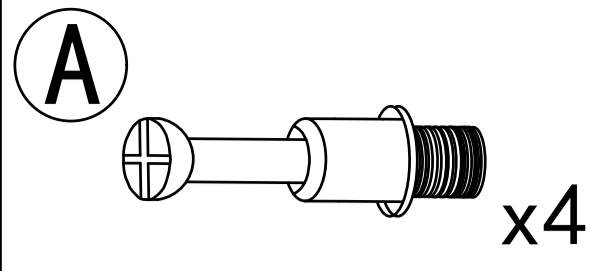
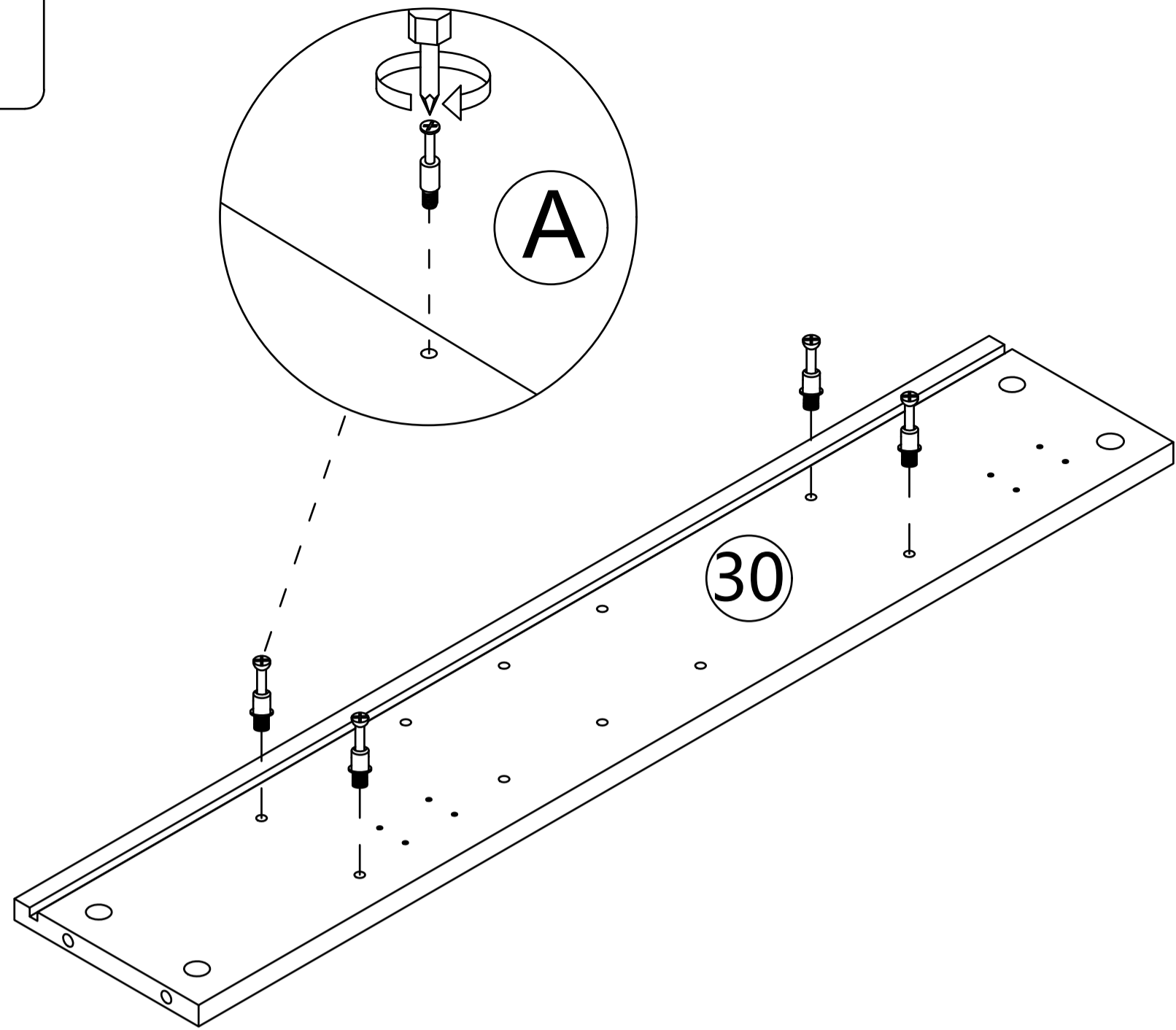
Step 71



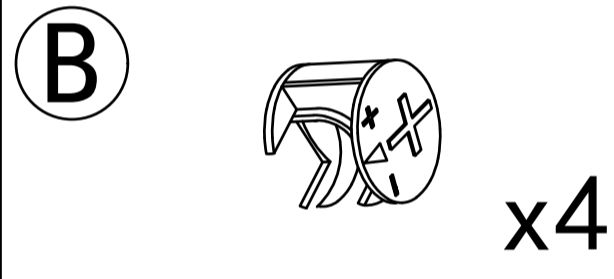
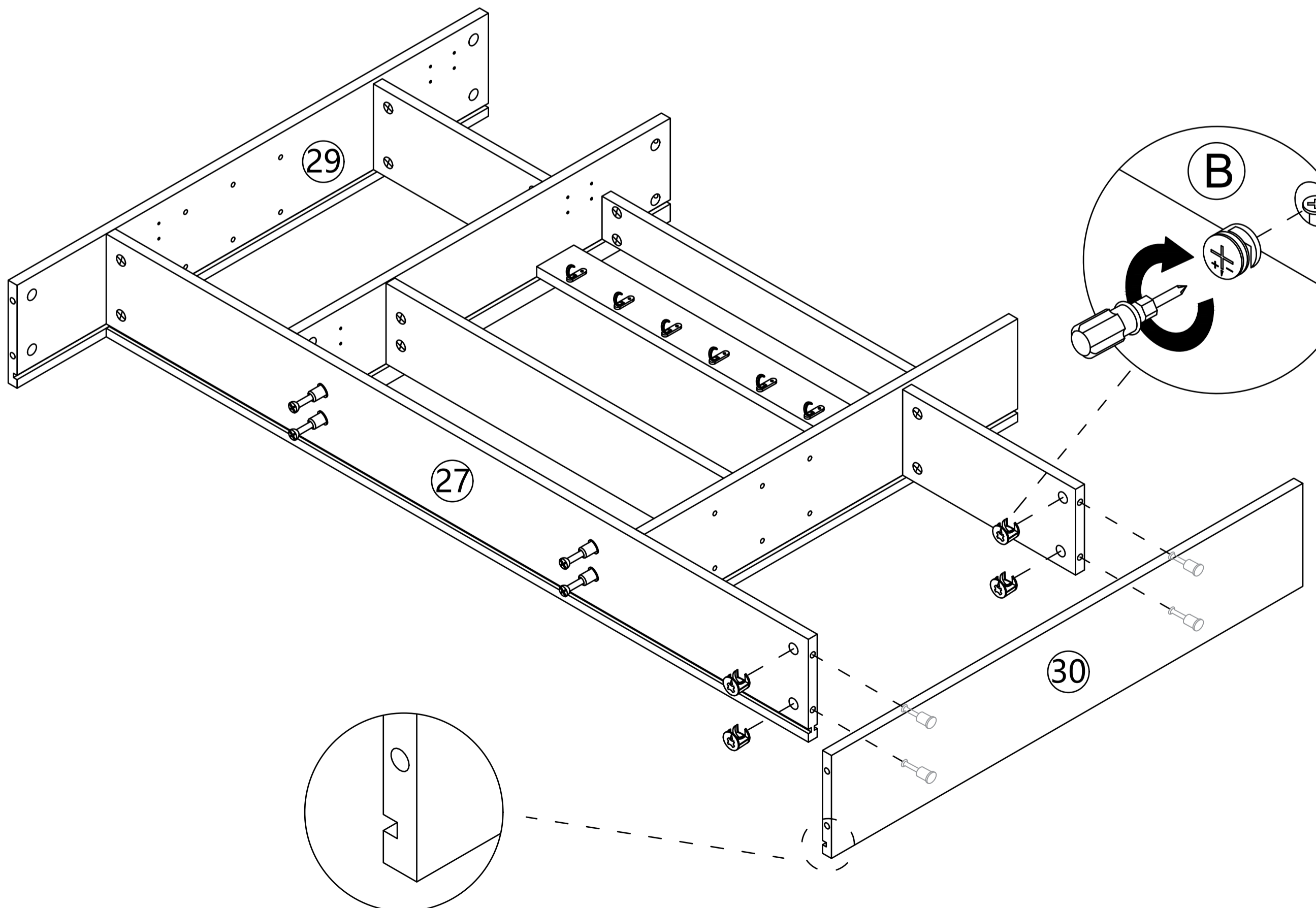
Step 72



Step 73

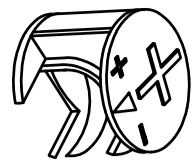


Step 74

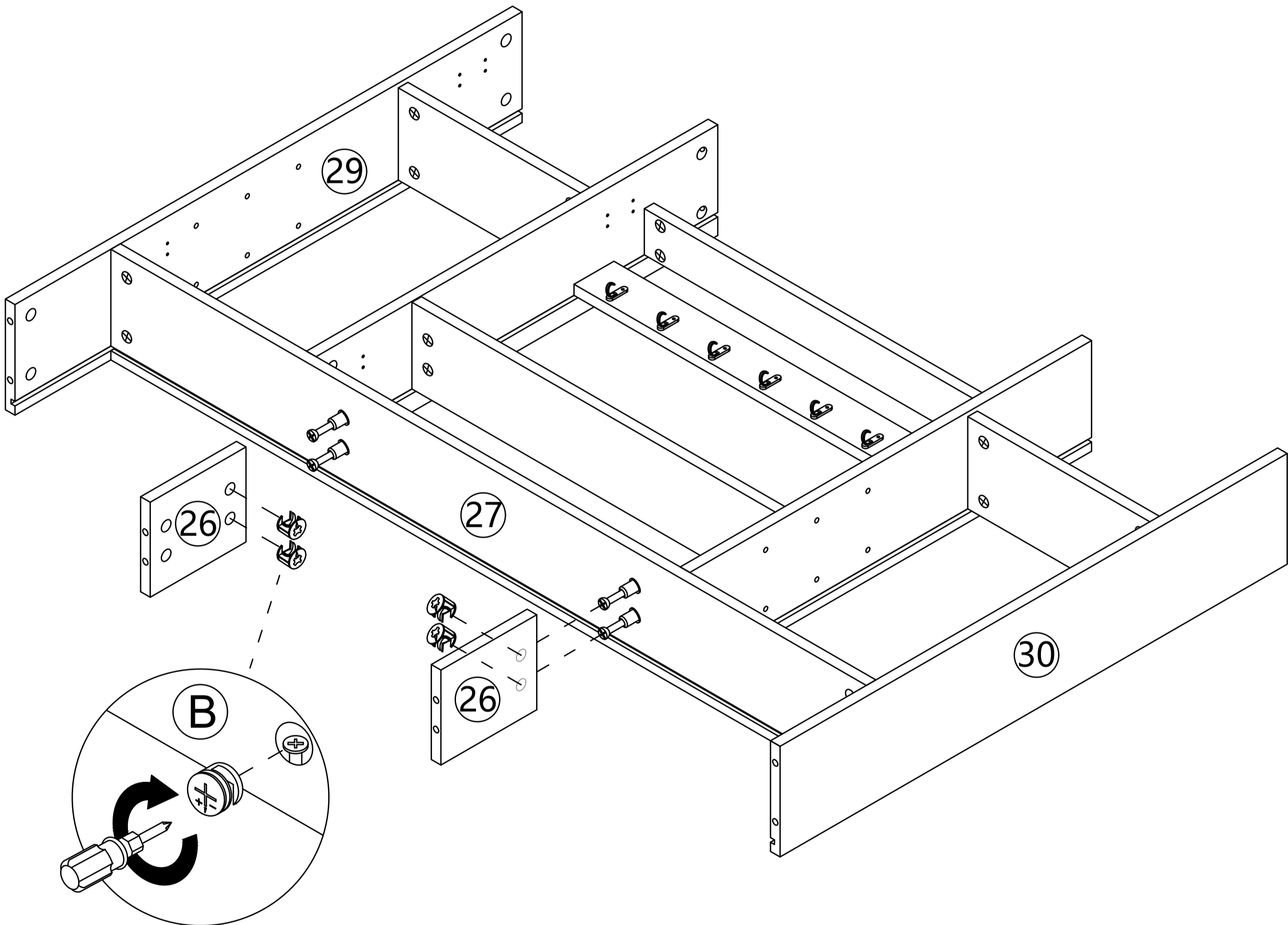


Step 75

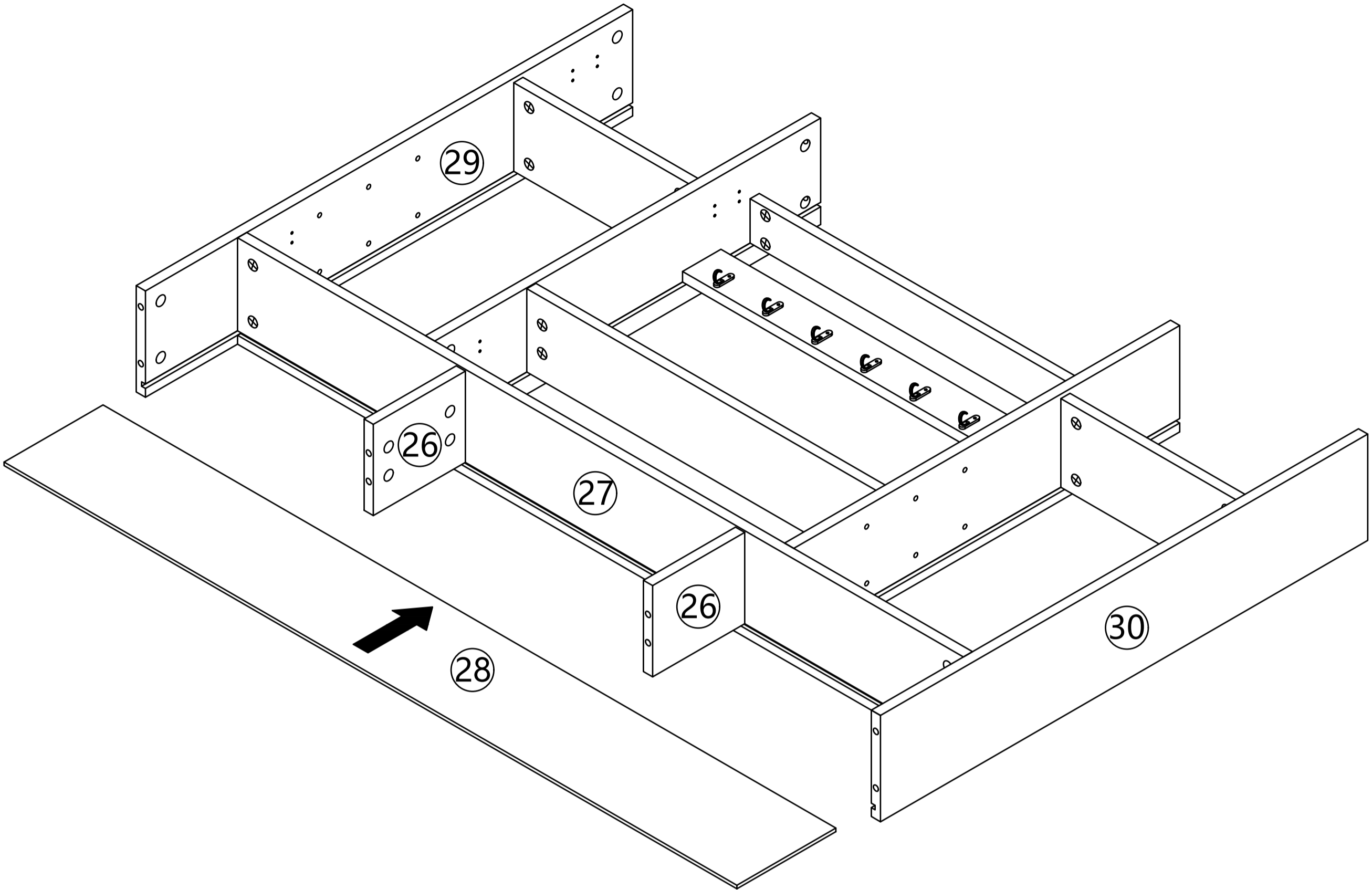
B



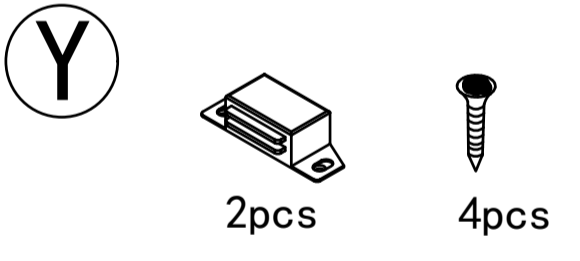
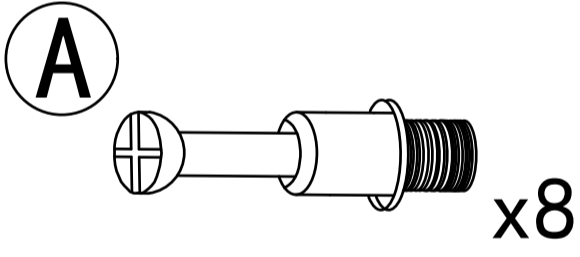
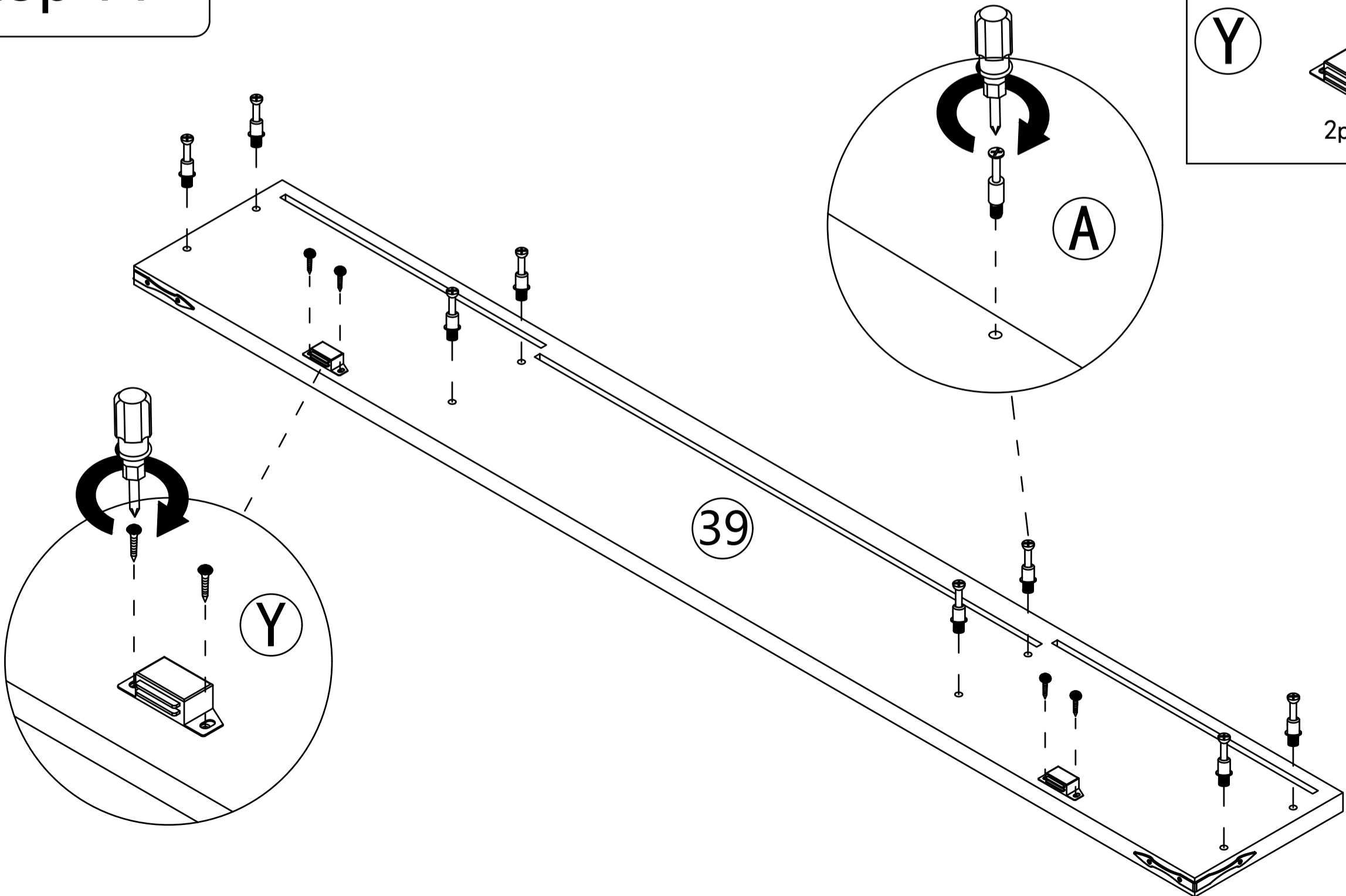
x4



Step 76

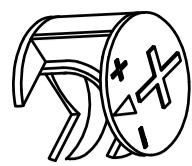


Step 77

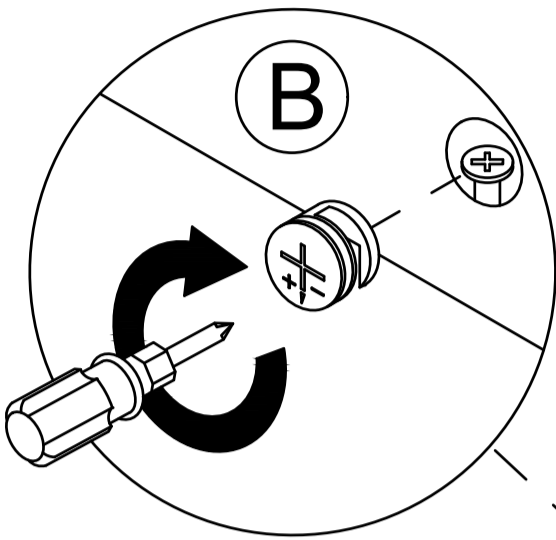
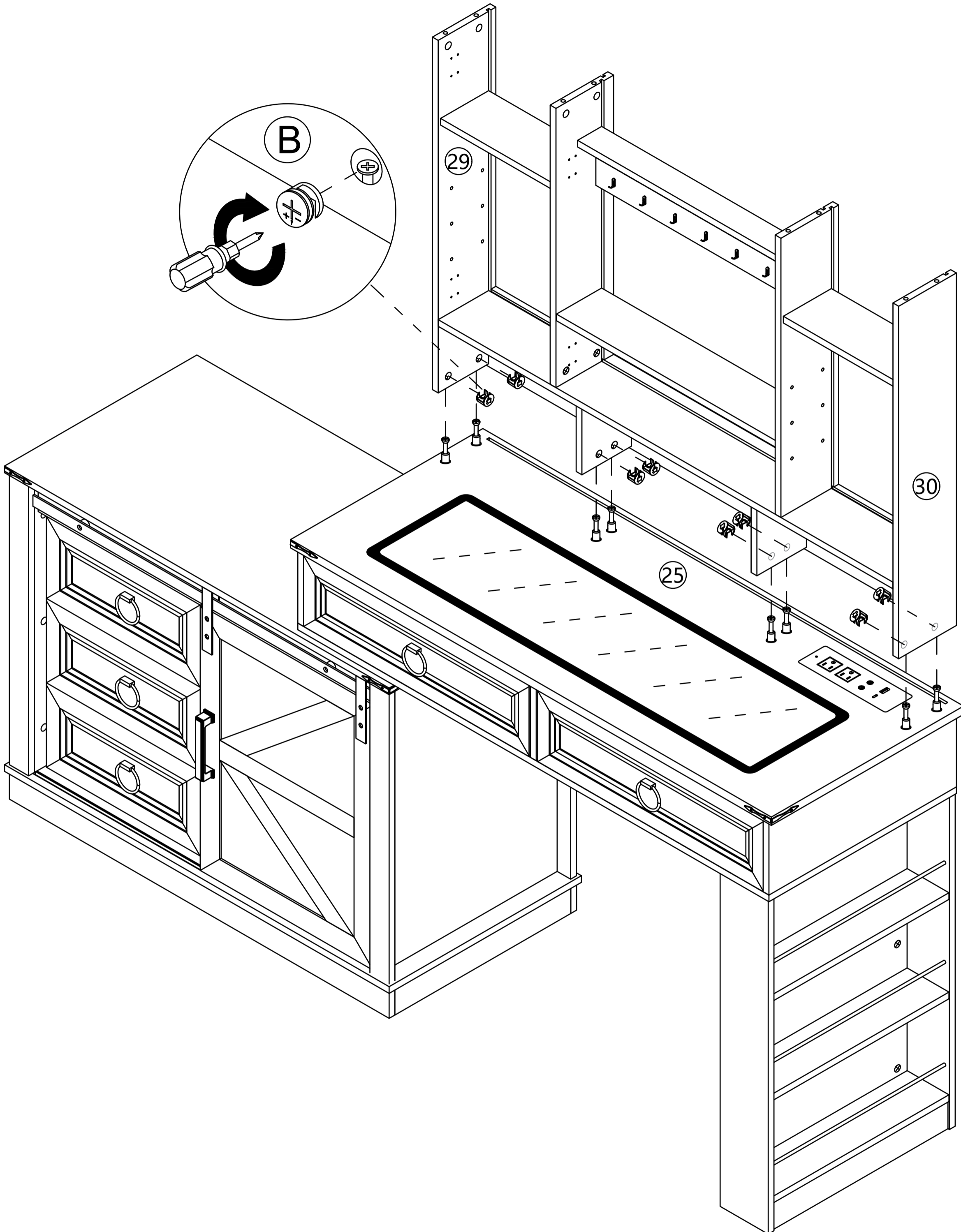


Step 78

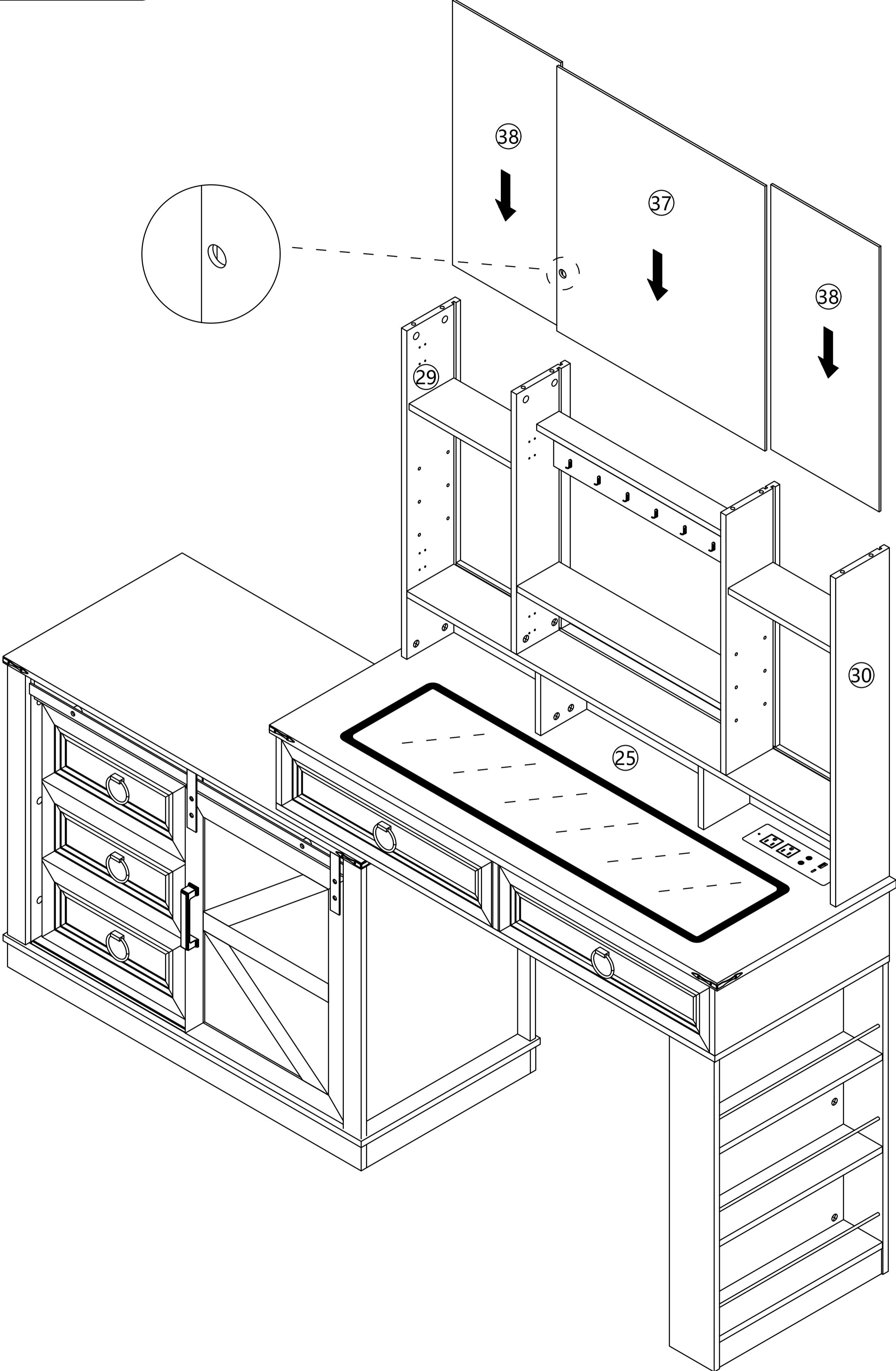
B



x8

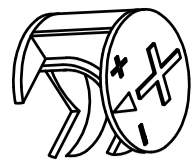


Step 79

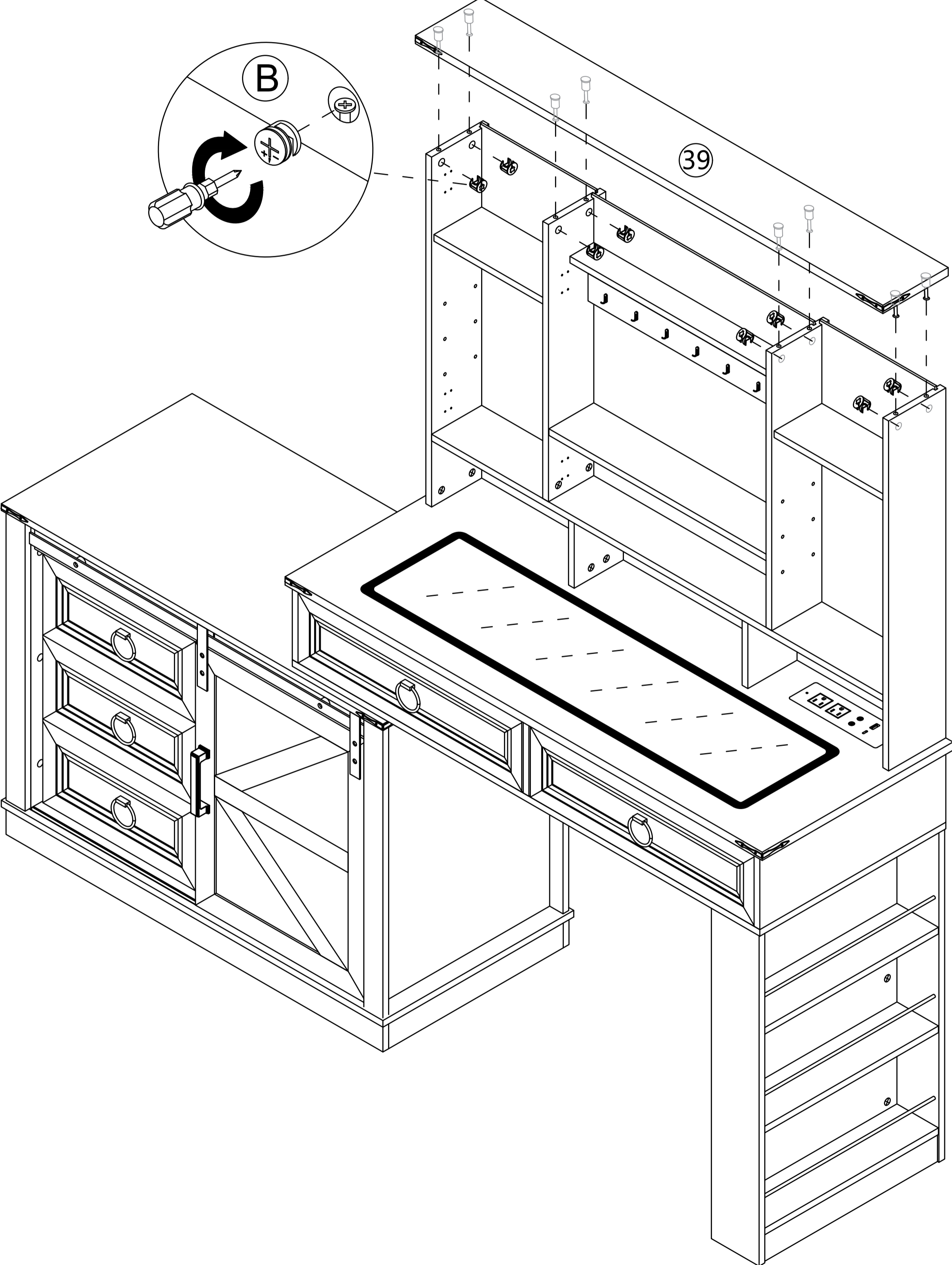


Step 80

B

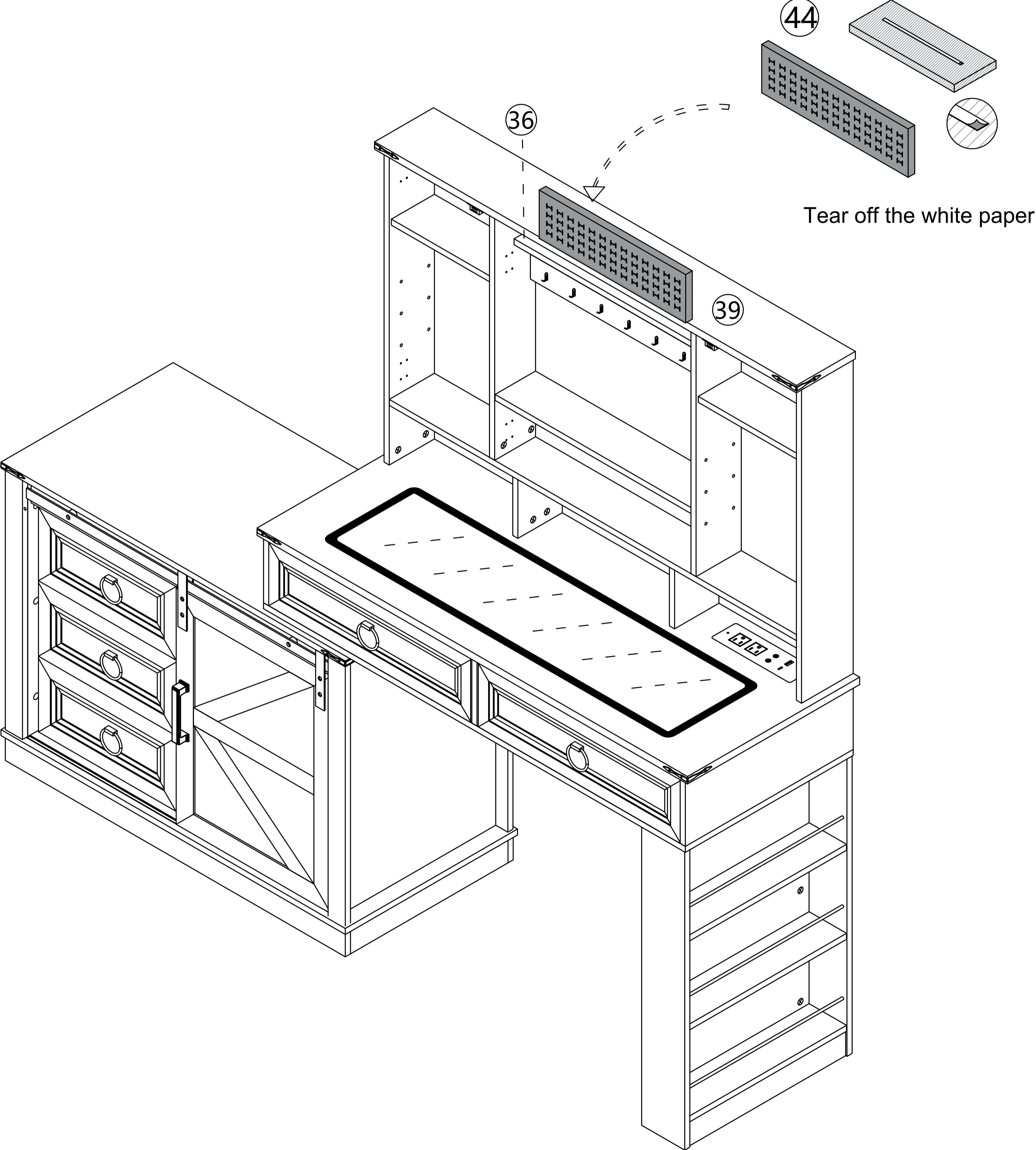


x8



Step 81

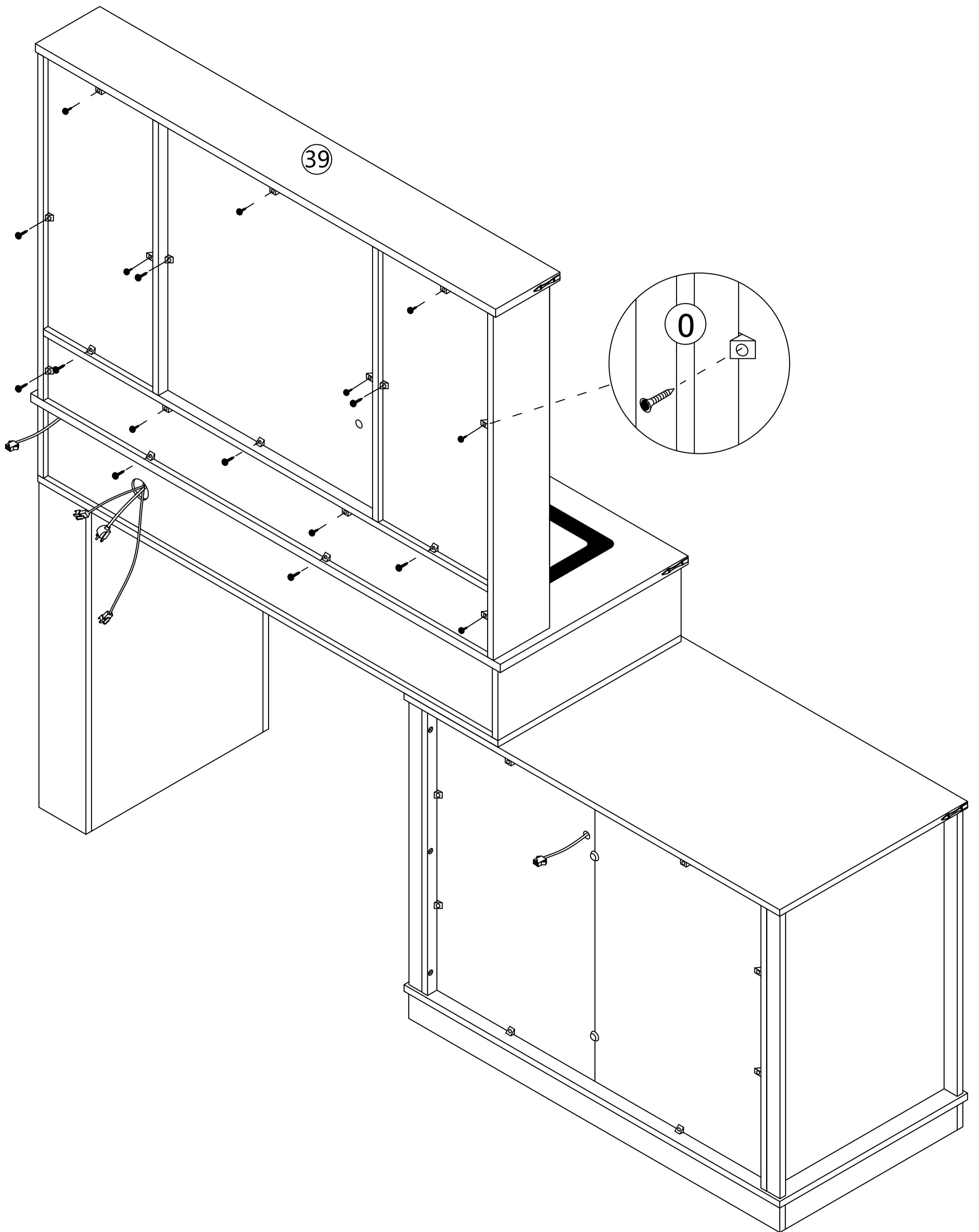
Attention: First, peel off the white paper from the sponge and place it between the 36th and 39th boards. Once the position is appropriate, press the sponge onto the 37th board



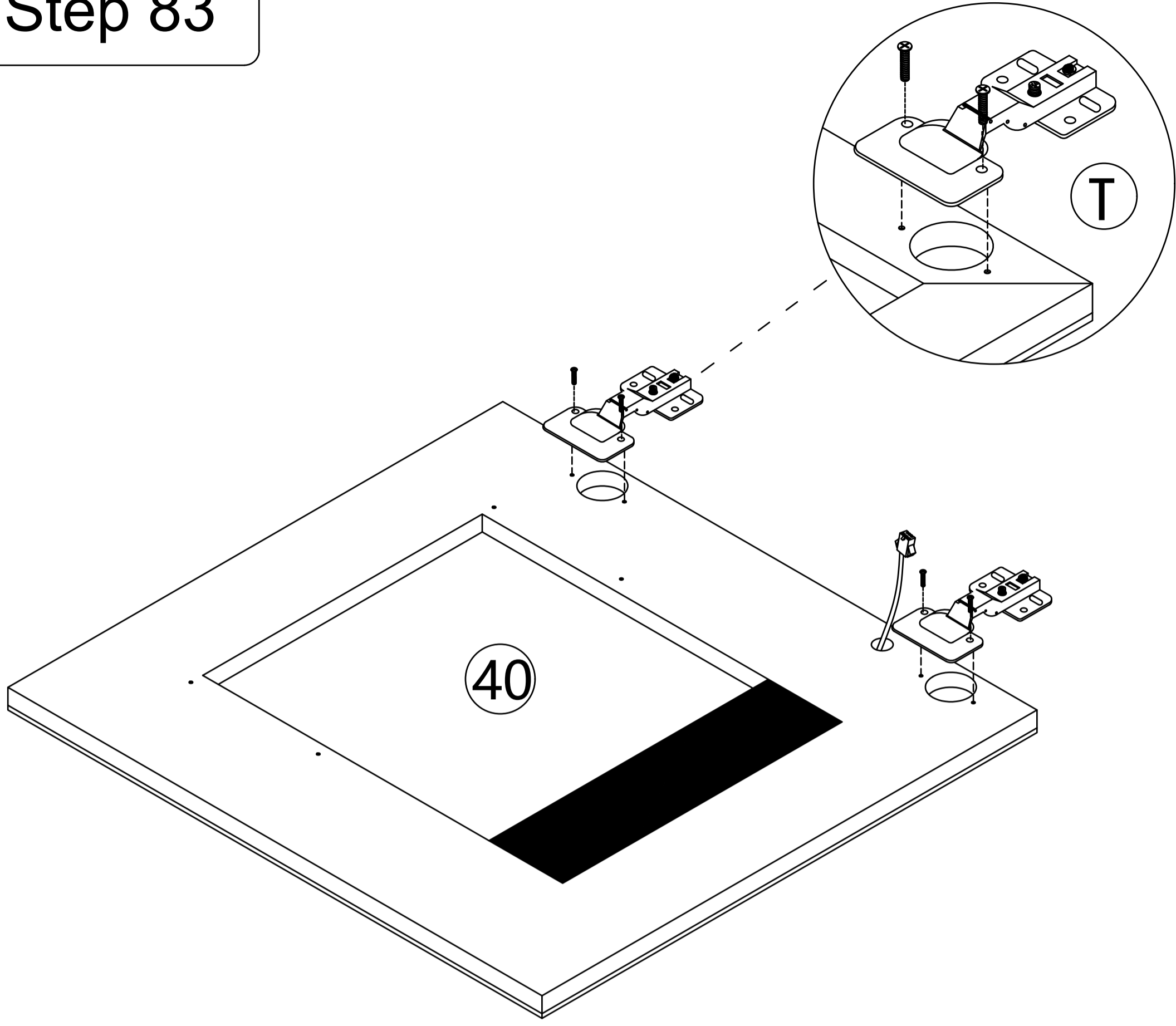
Step 82

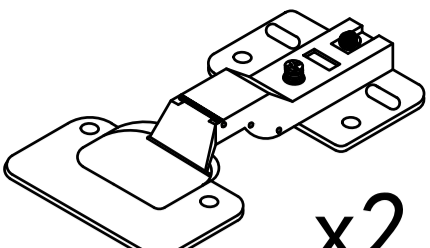
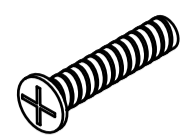
0
x18

x18

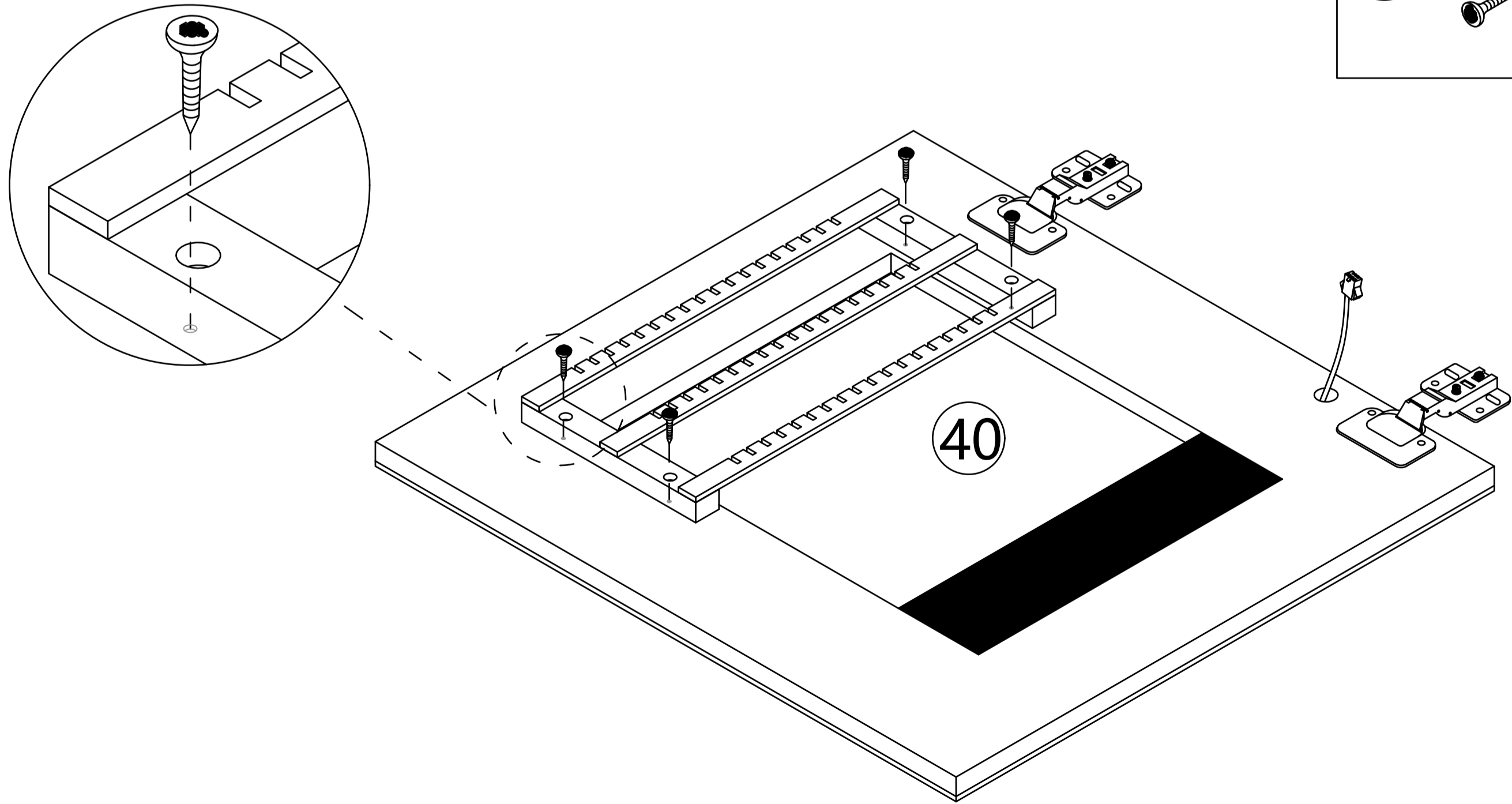


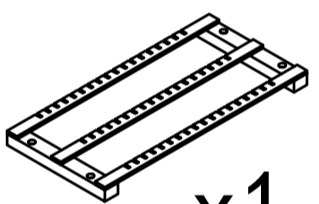

Step 83



- T**  x2
-  x4

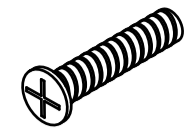
Step 84



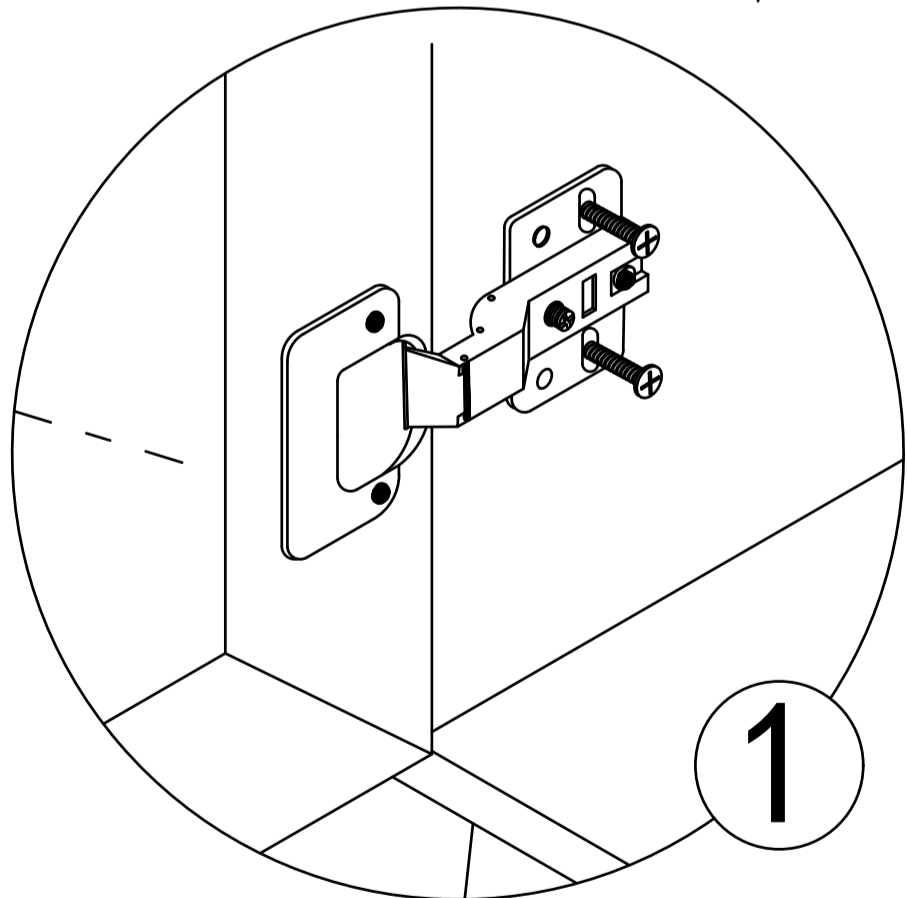
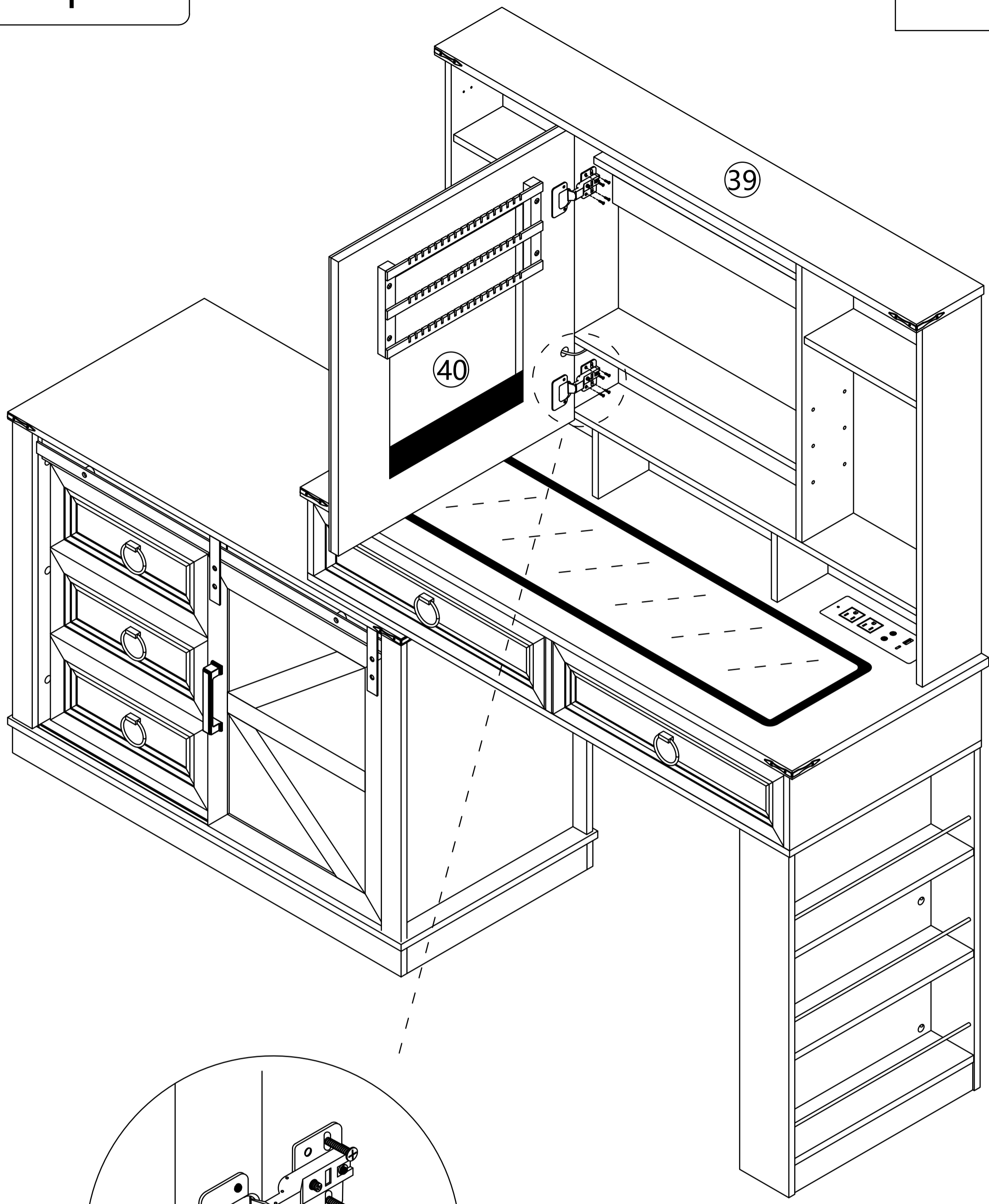
- 46**  x1
- U**  x4

Step 85

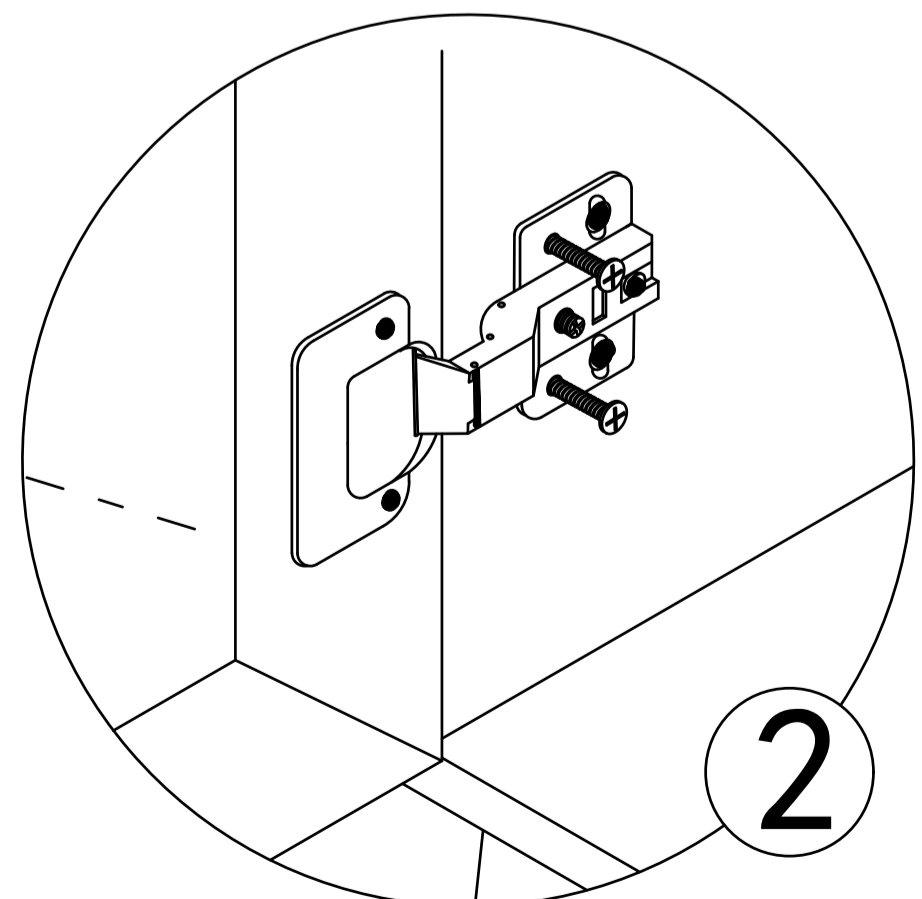
T



x8



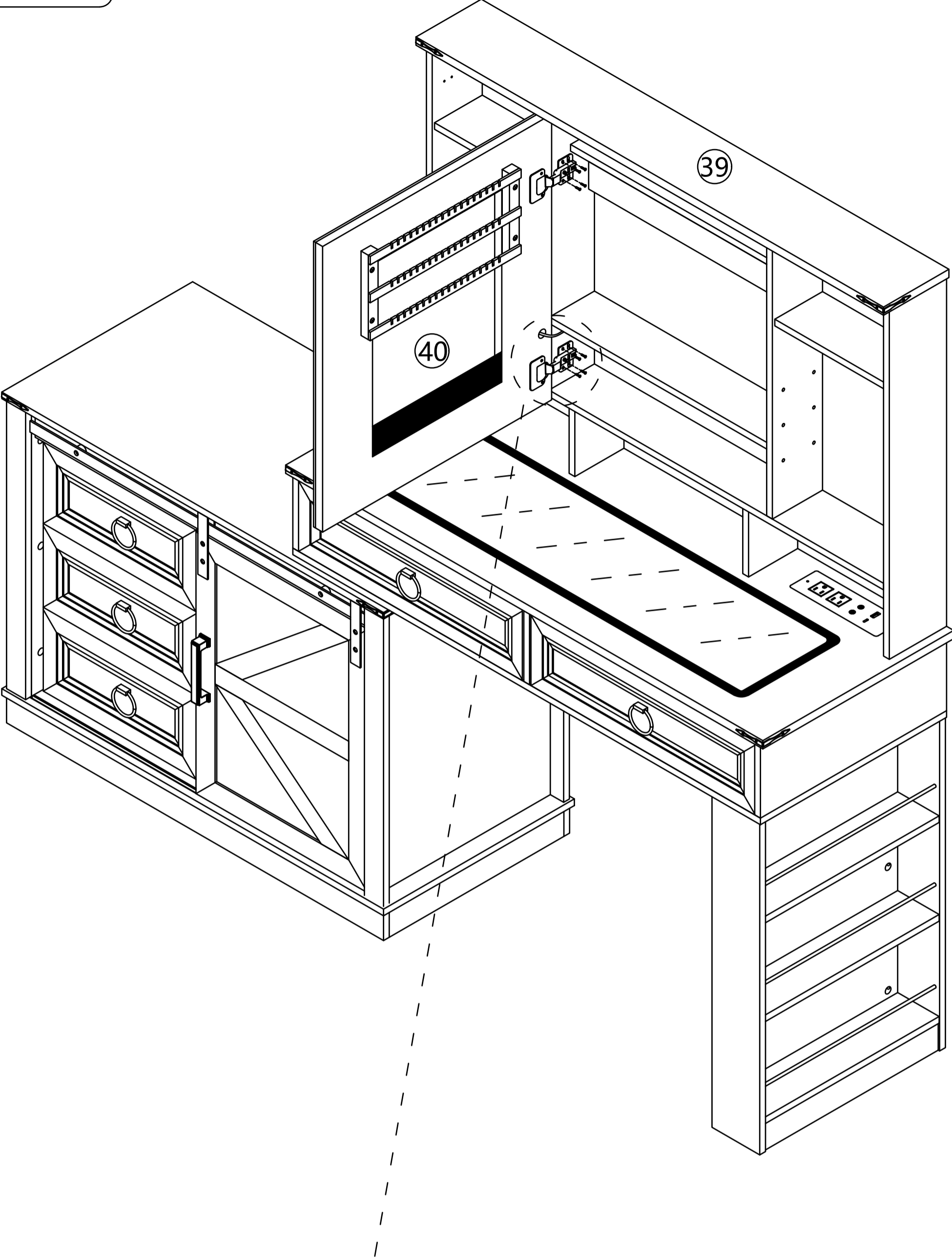
1



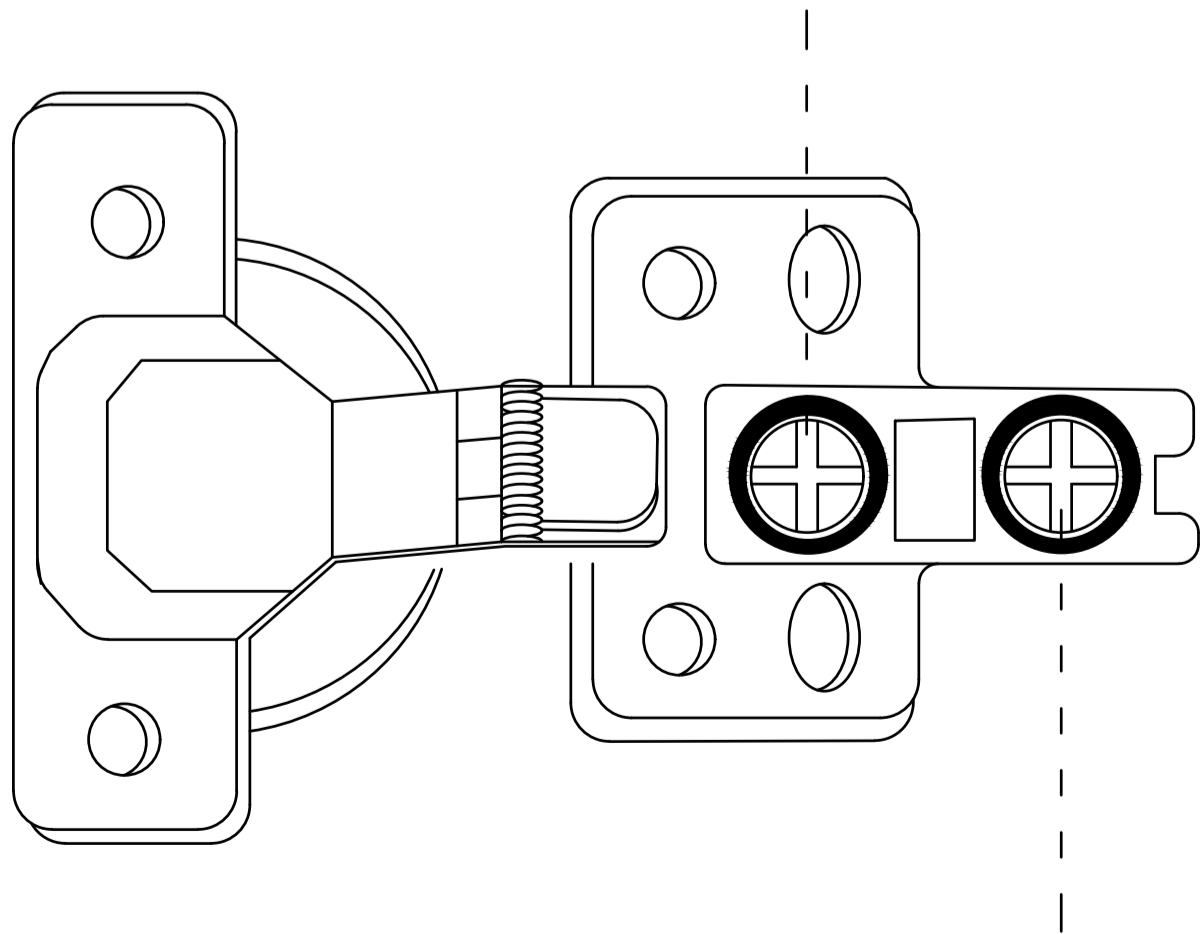
2

First lock the elliptical hole
then lock the fixed hole

Step 86

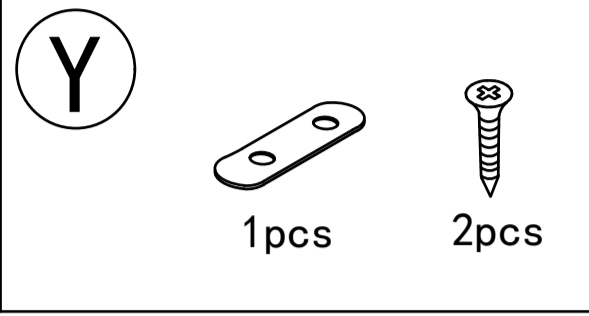
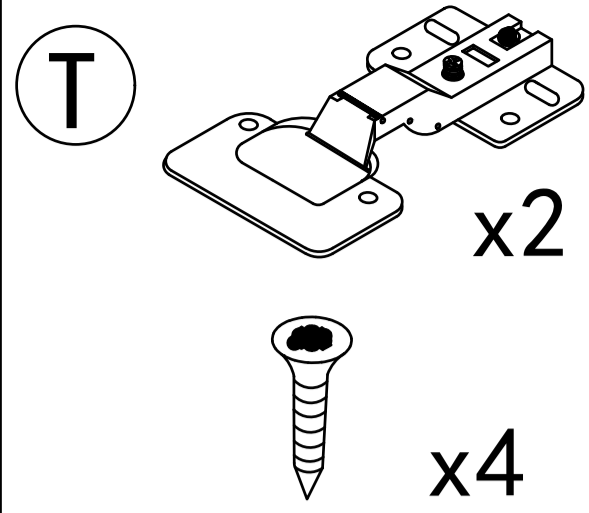
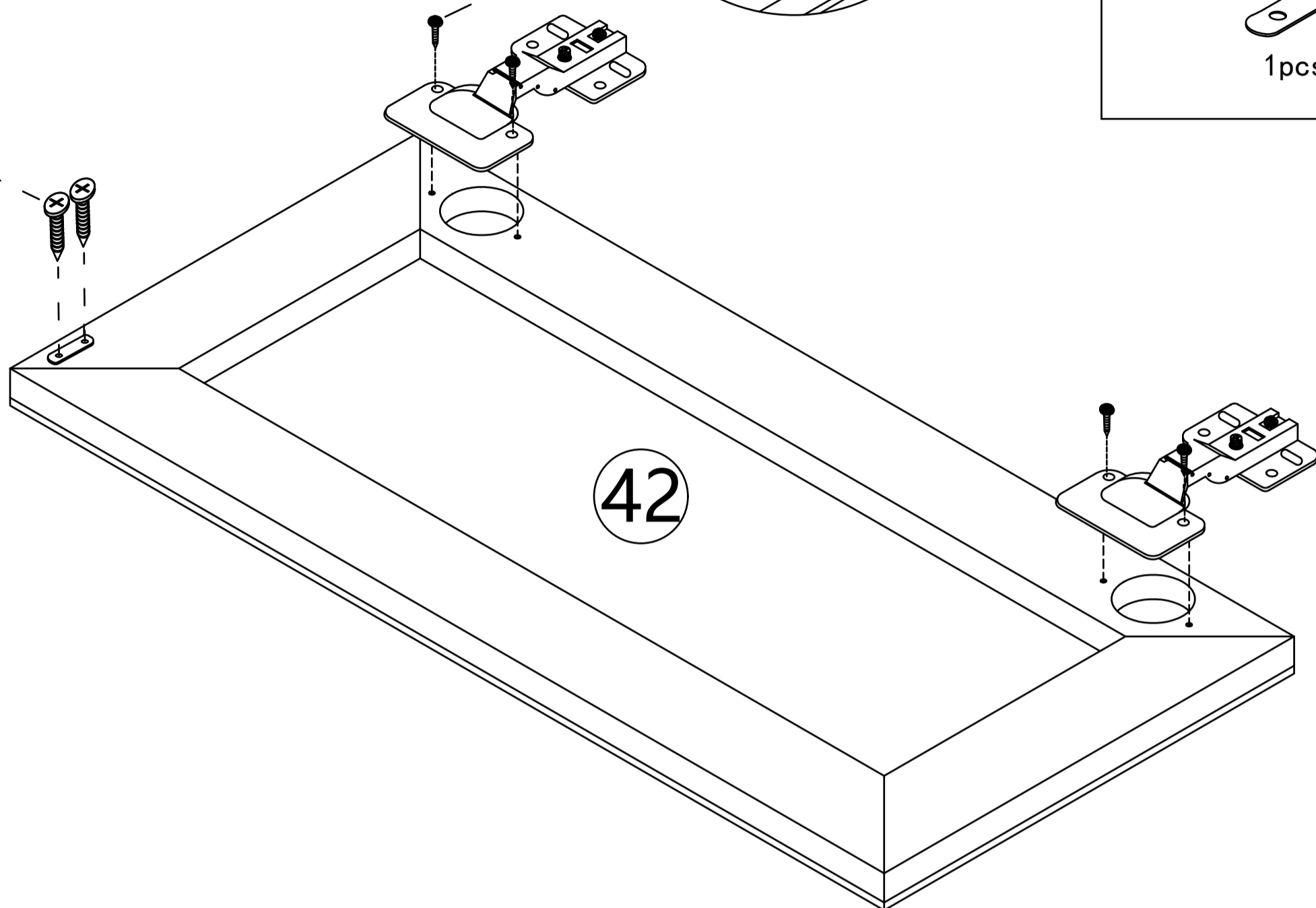
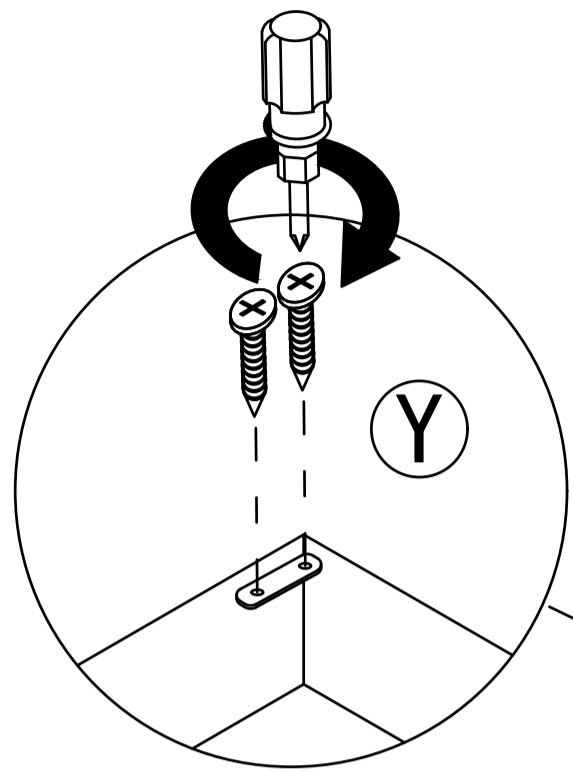


Turning this screw can effectively adjust the size of the door gap.

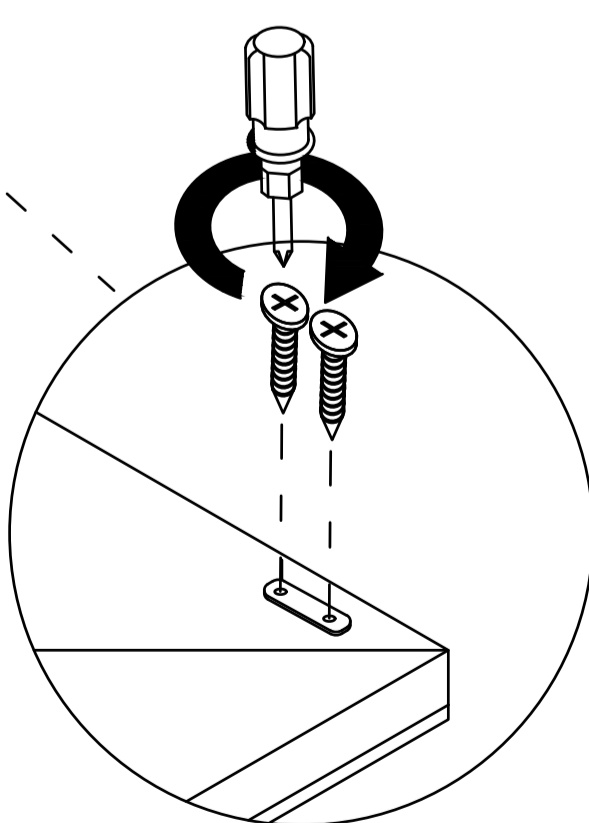
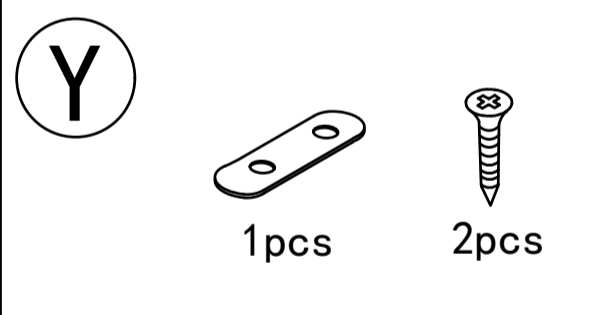
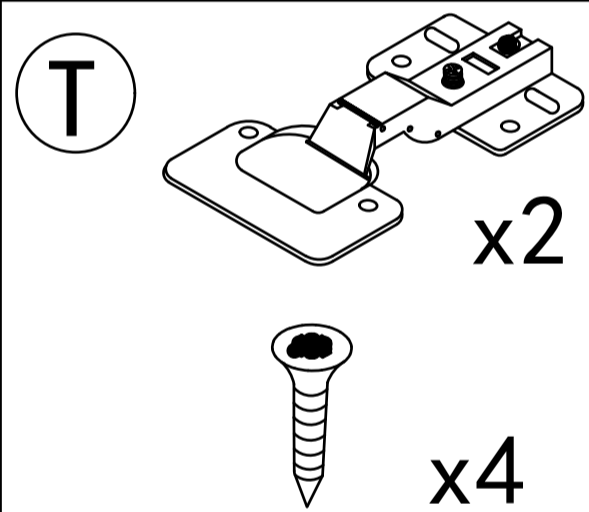
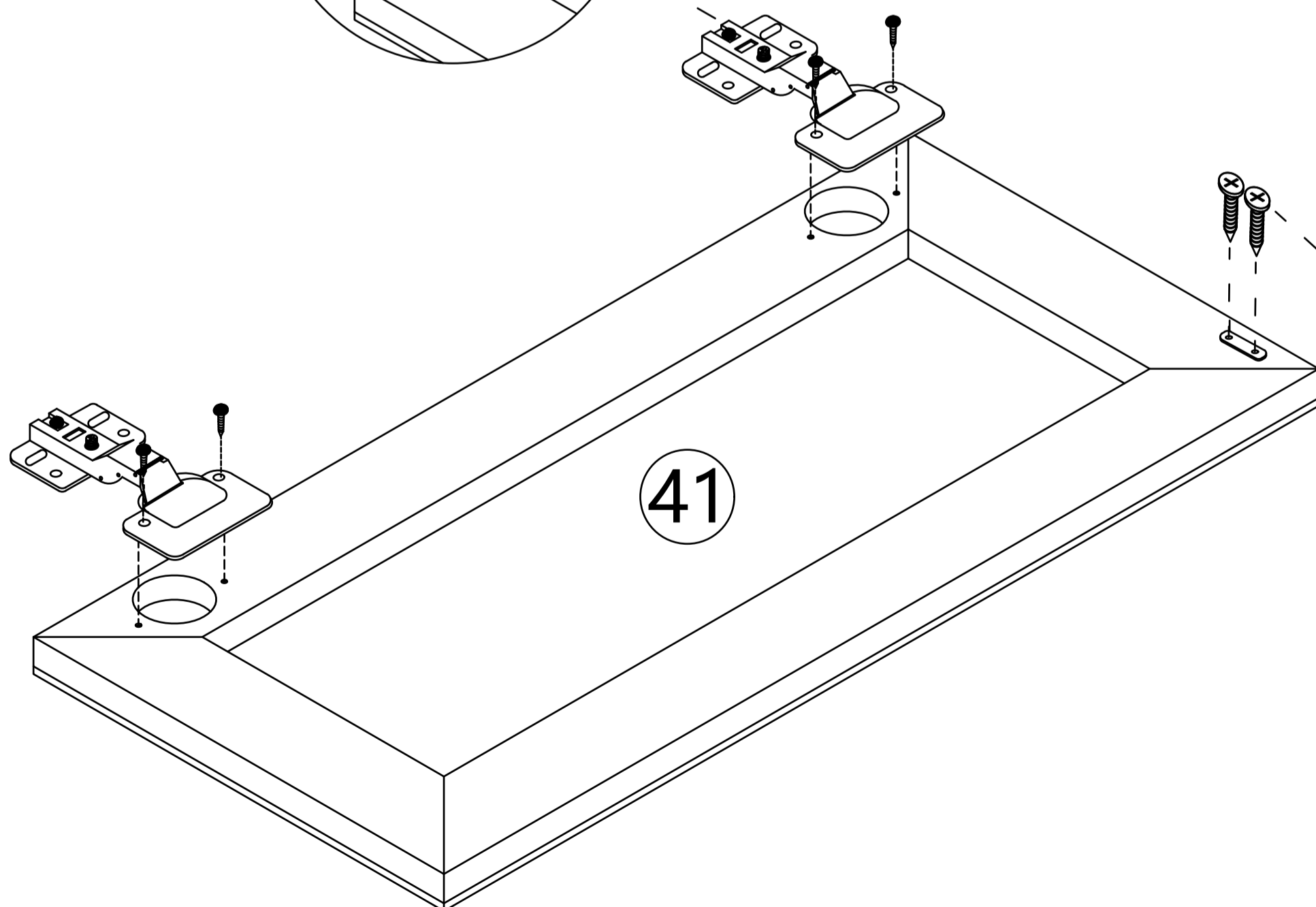
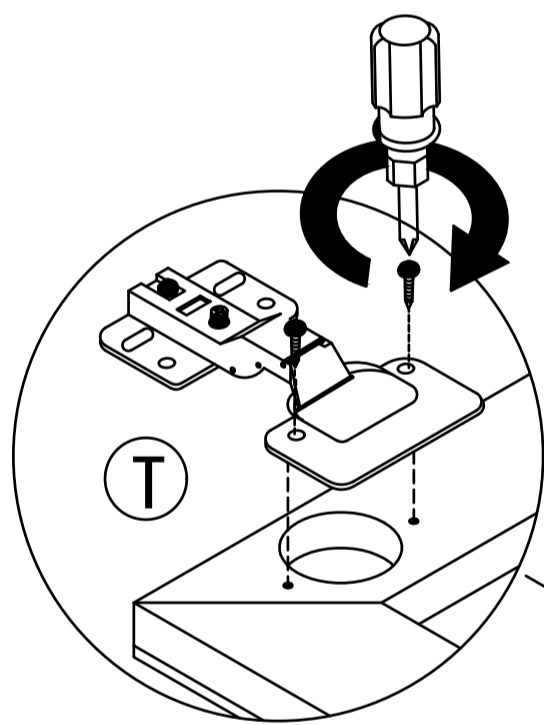


Turn this screw to adjust the door panel to be flat with the side panel.

Step 87

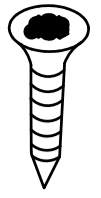


Step 88

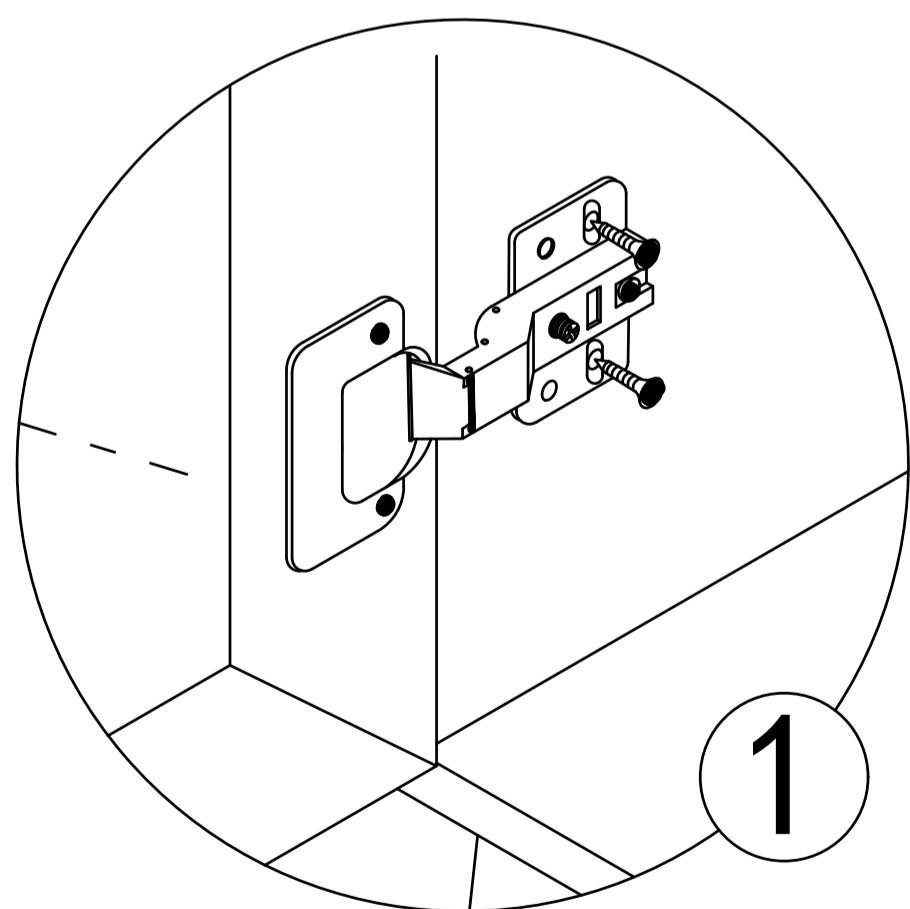
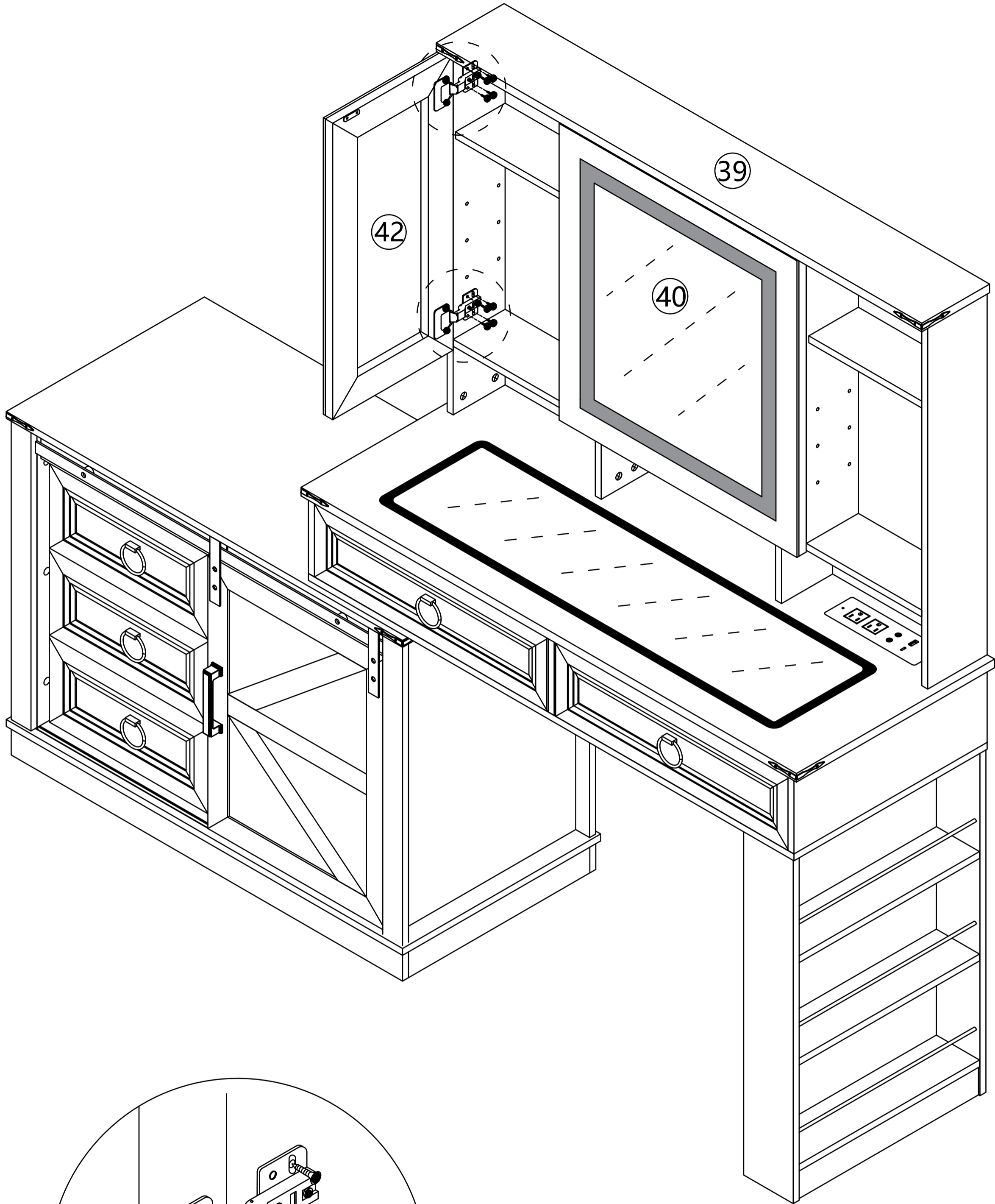


Step 89

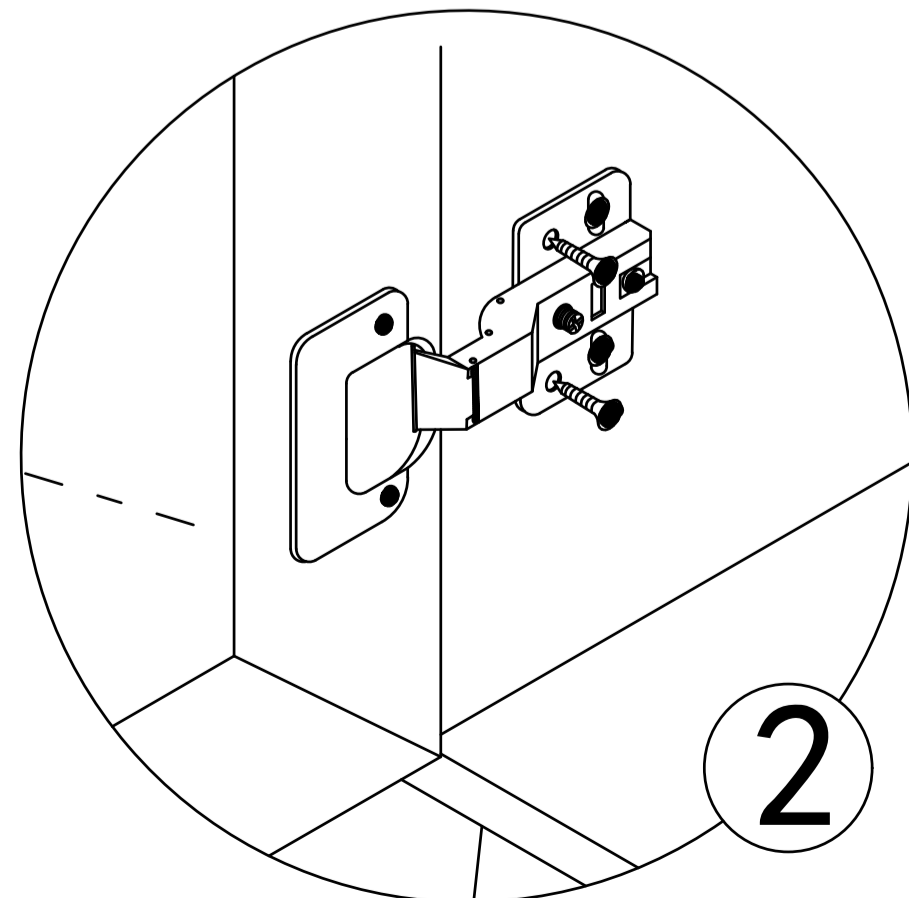
T



x8



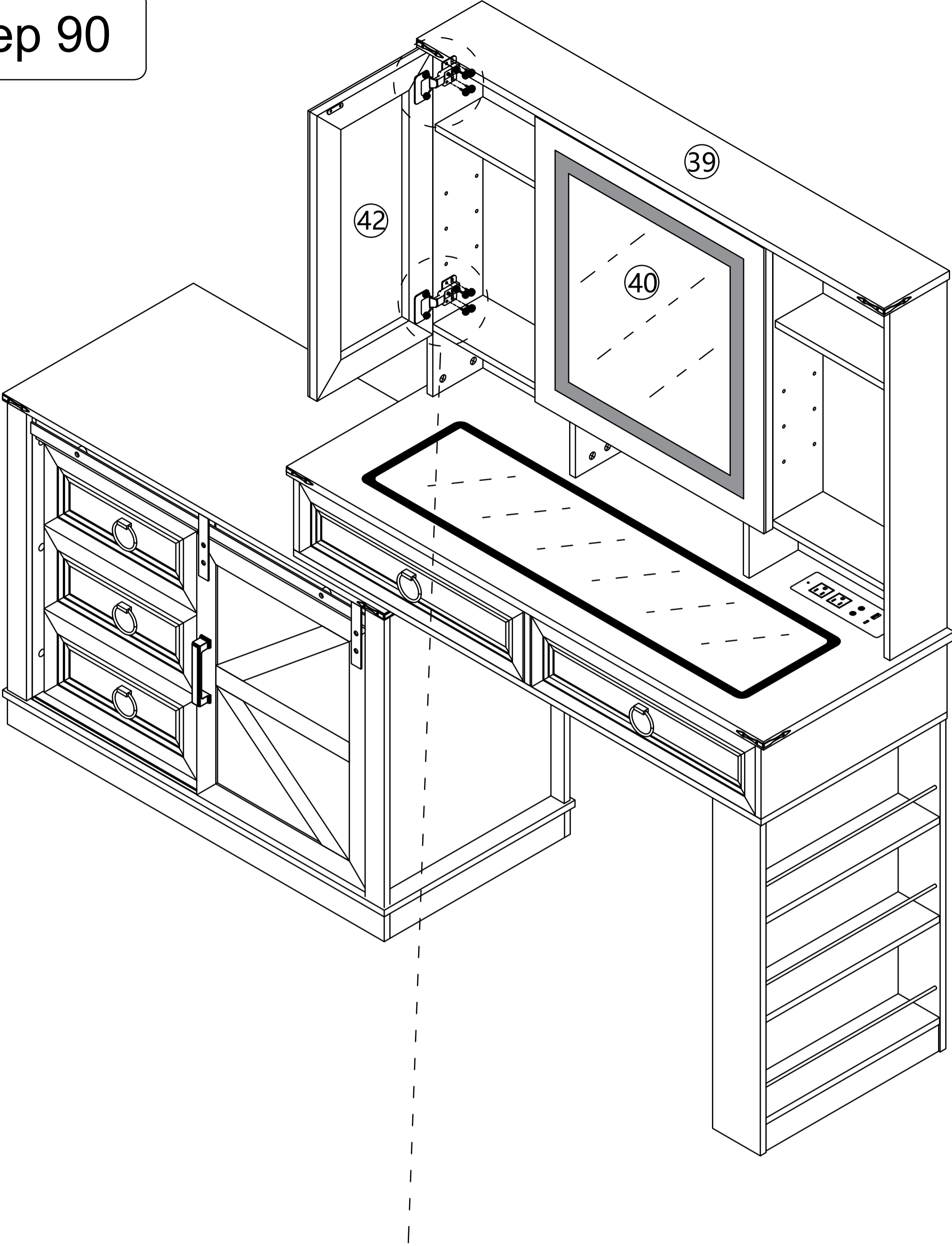
1



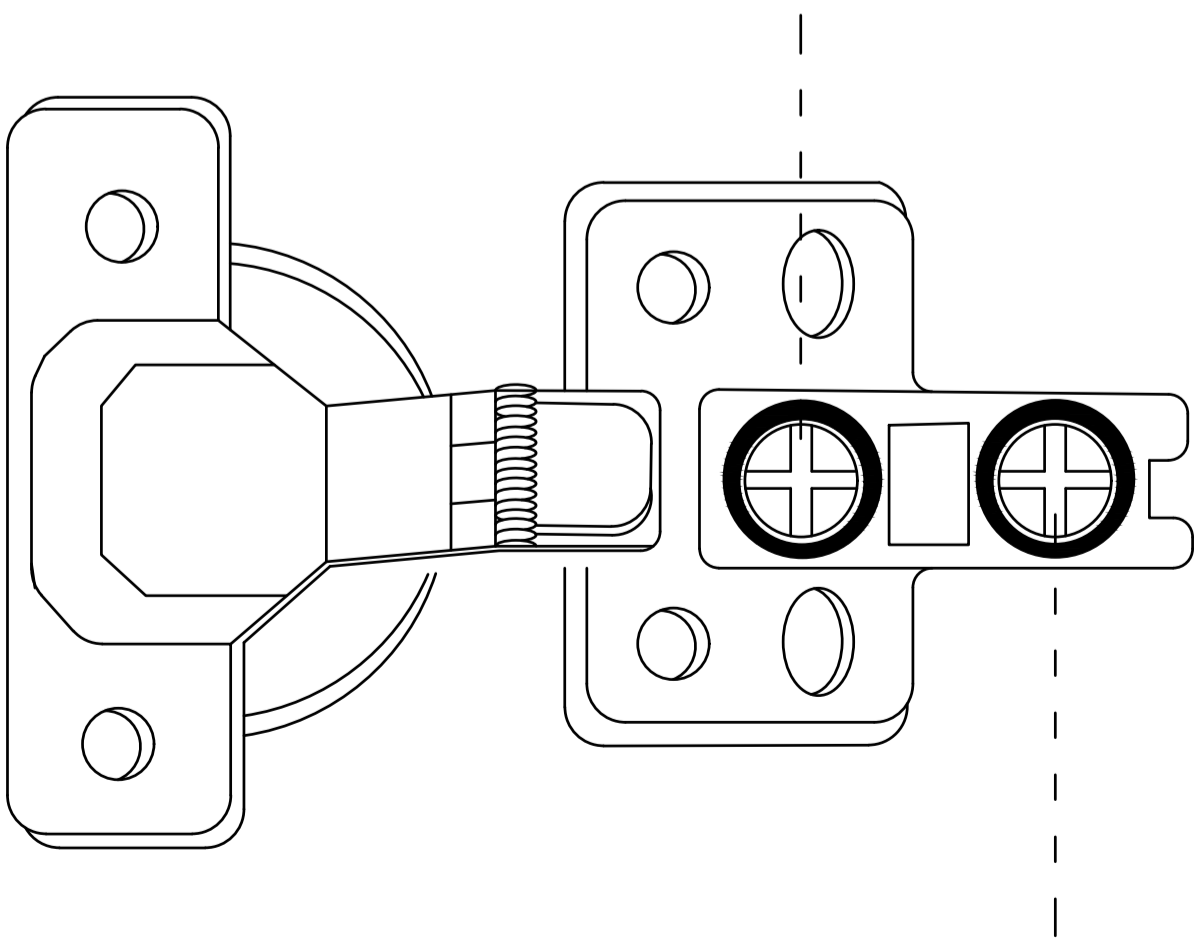
2

First lock the elliptical hole
then lock the fixed hole

Step 90

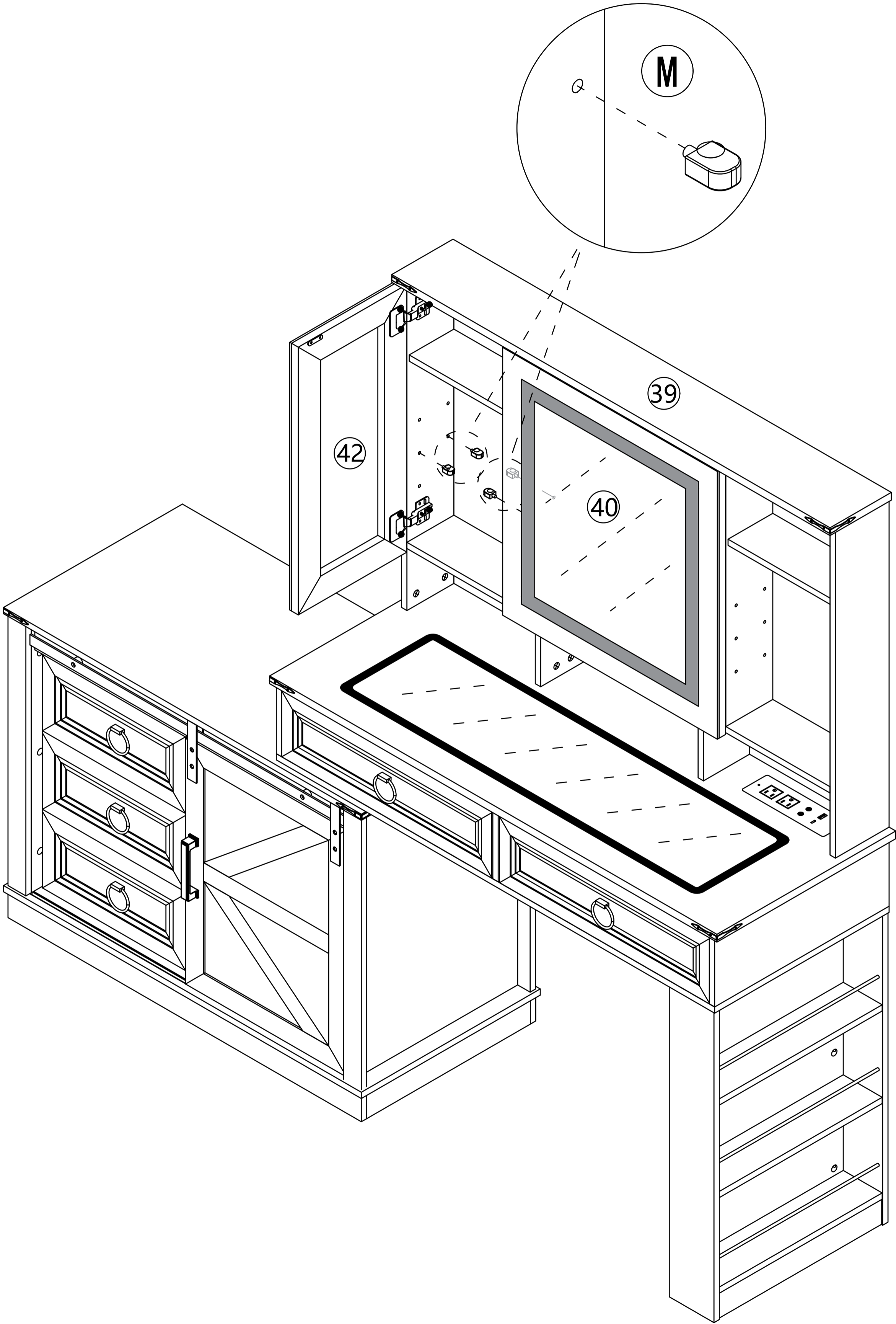
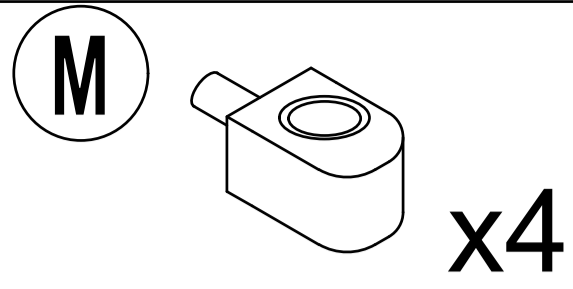


Turning this screw can effectively adjust the size of the door gap.

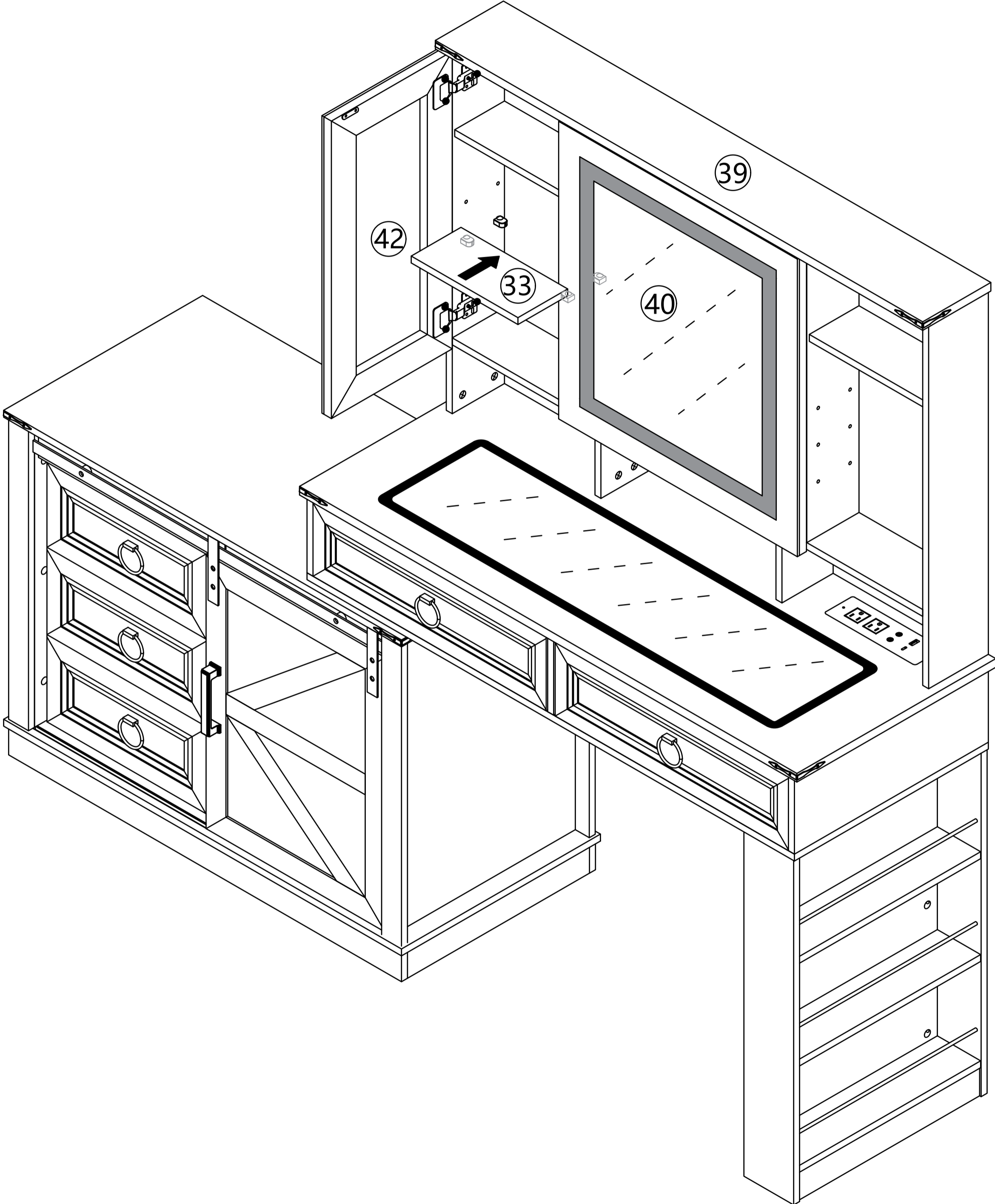


Turn this screw to adjust the door panel to be flat with the side panel.

Step 91

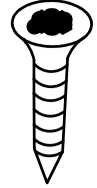


Step 92

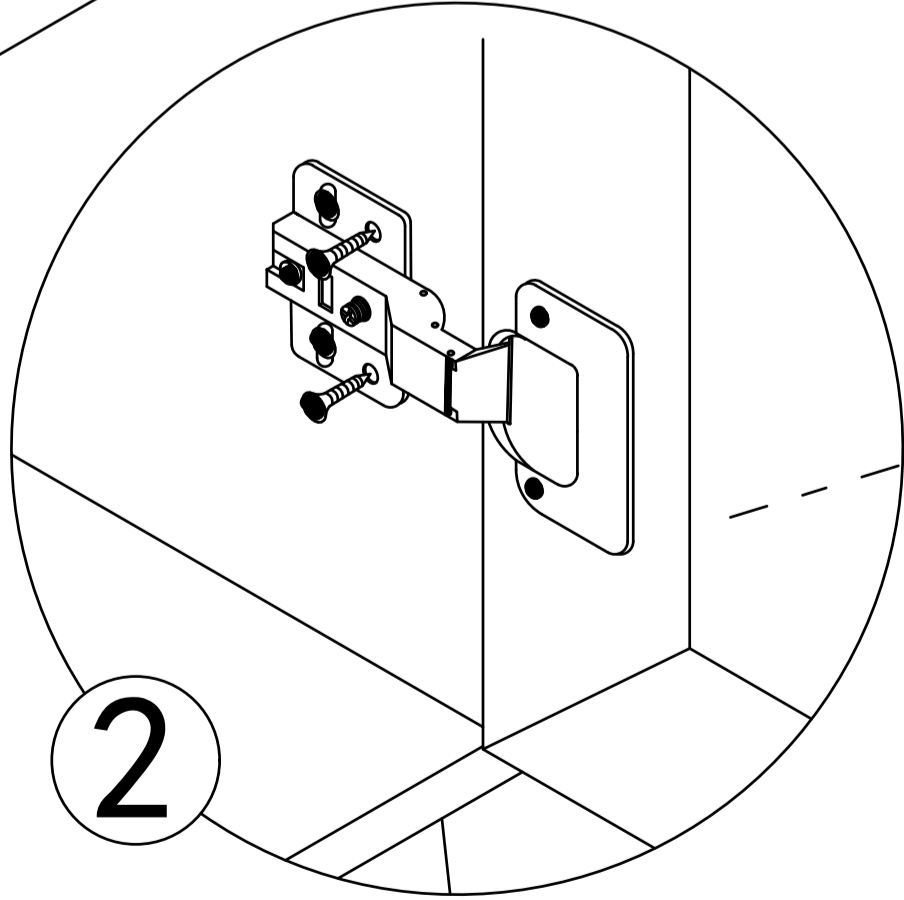
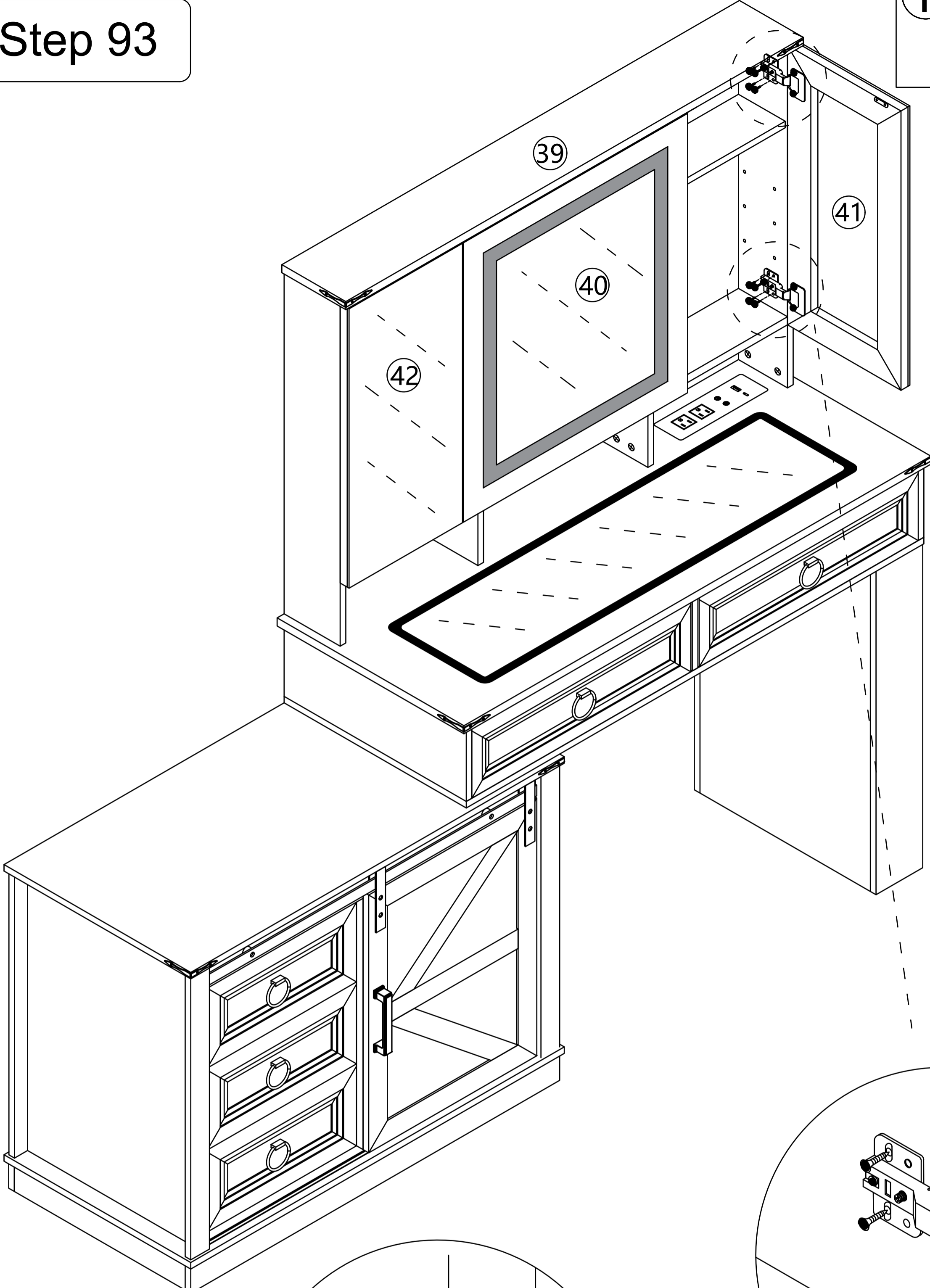


Step 93

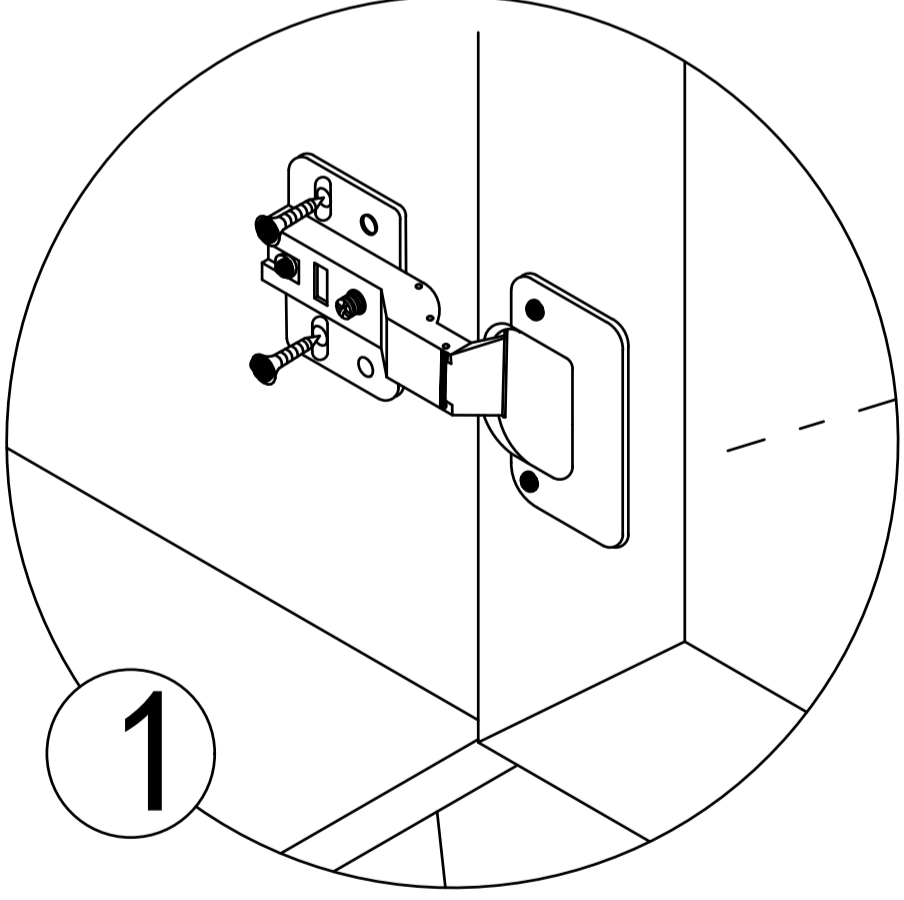
T



x8



2

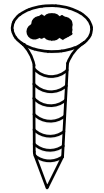


1

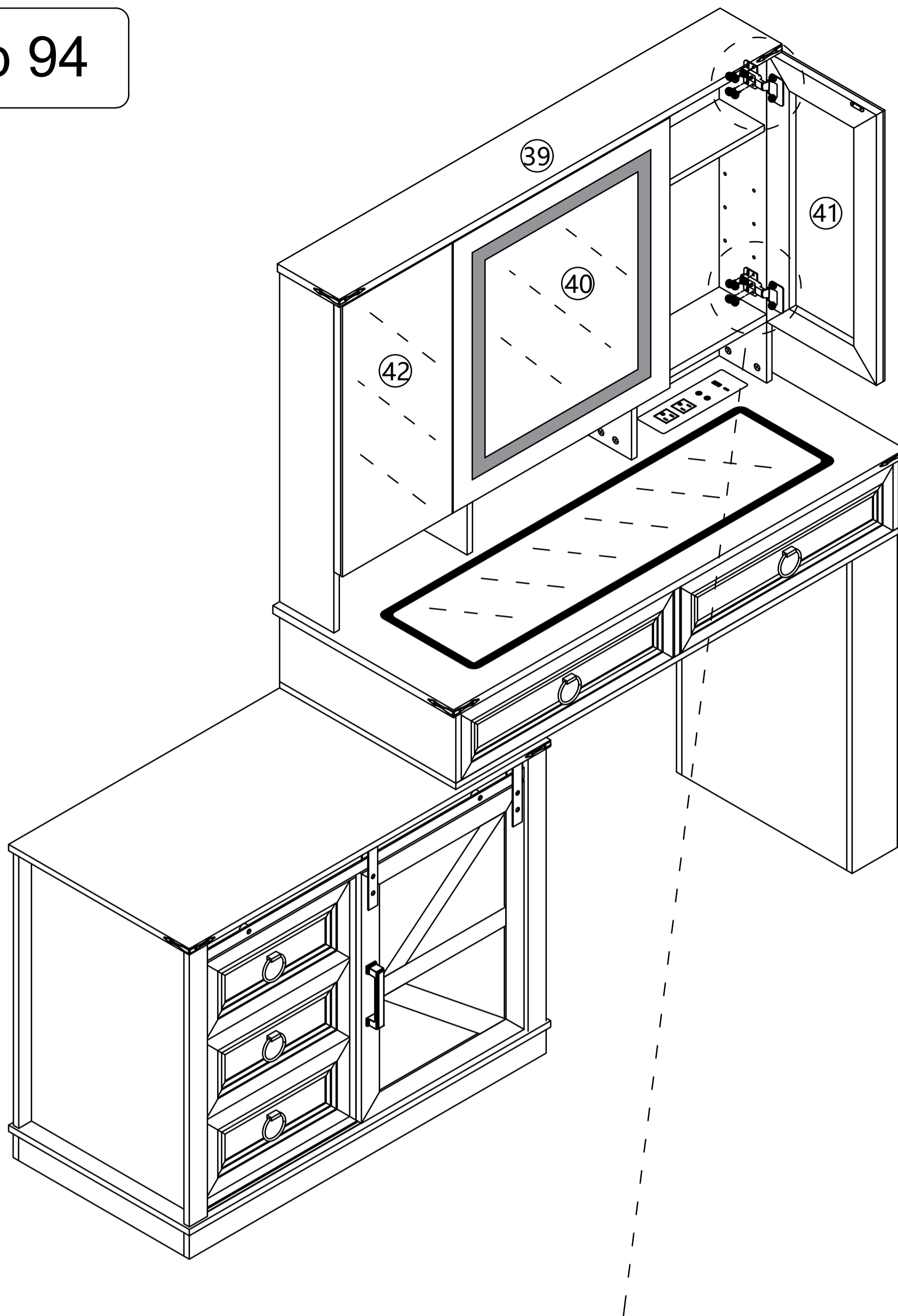
First lock the elliptical hole then lock the fixed hole

Step 94

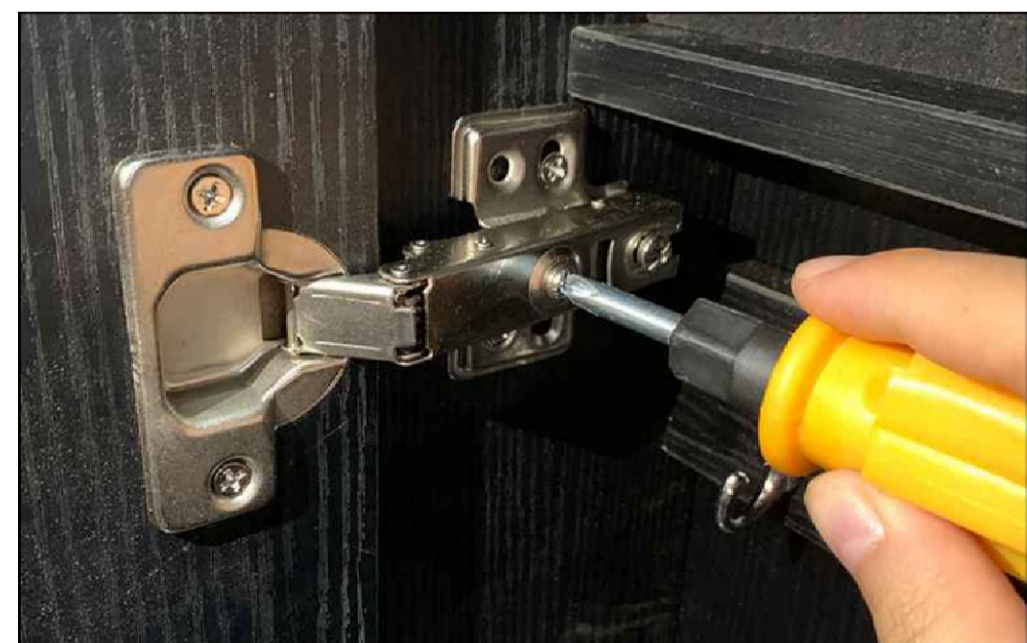
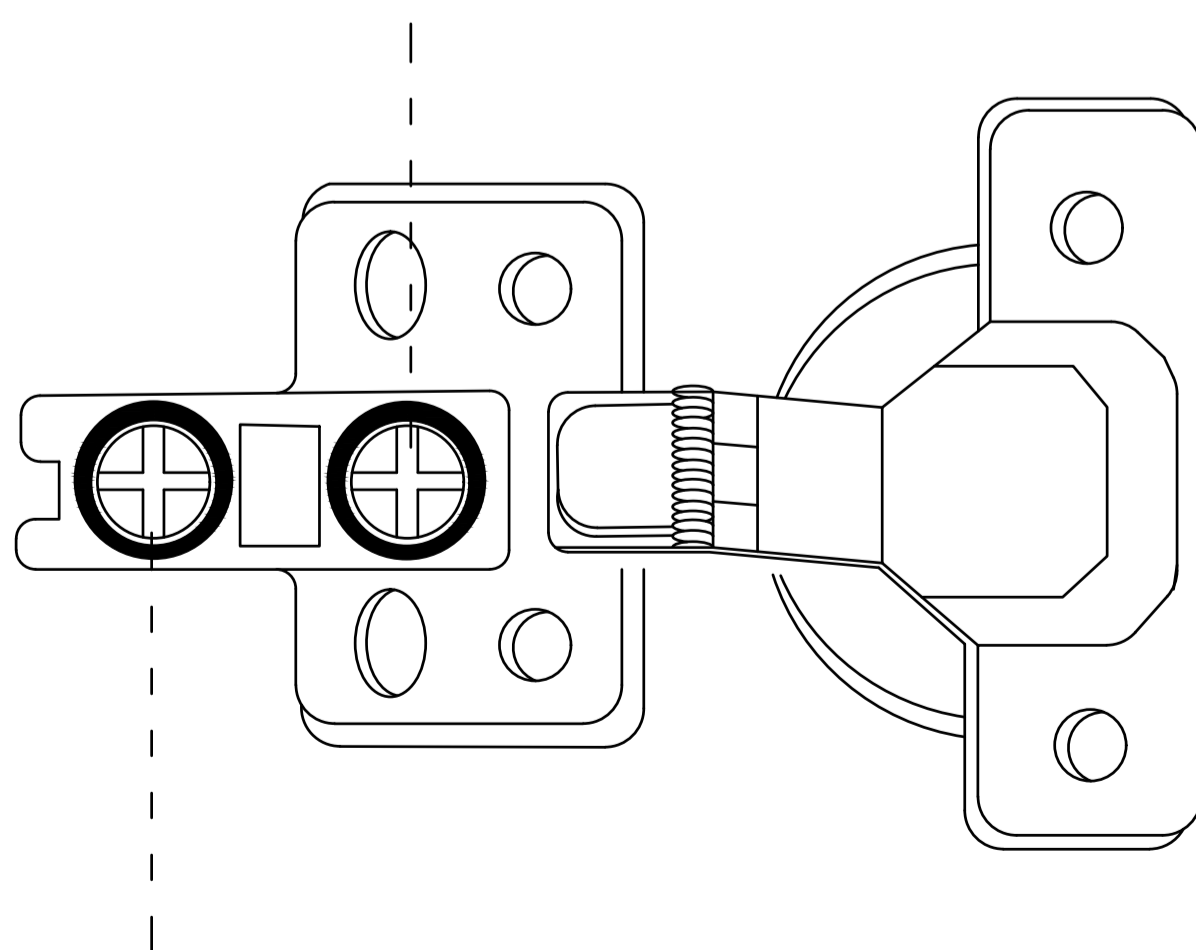
T



x8

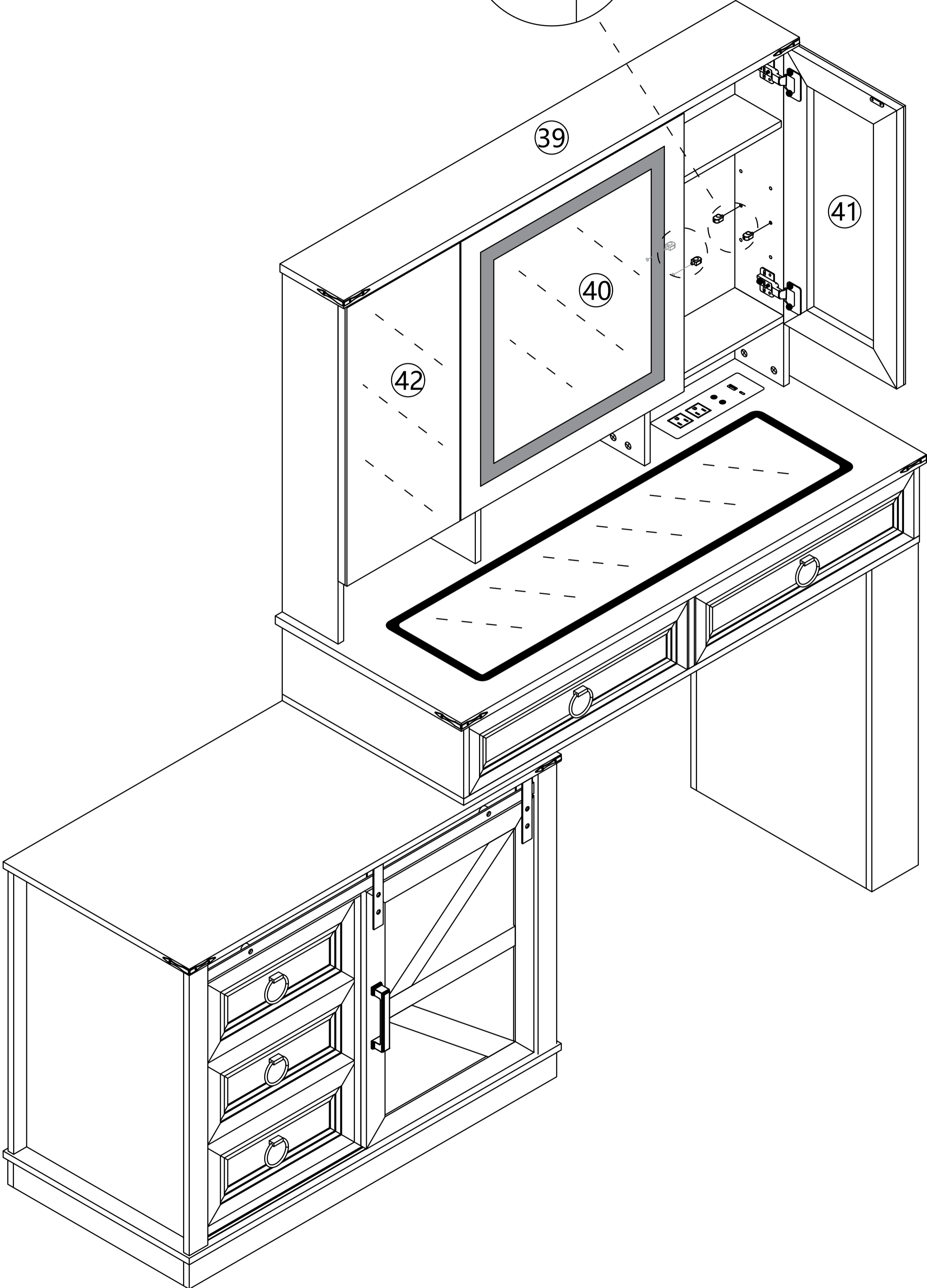
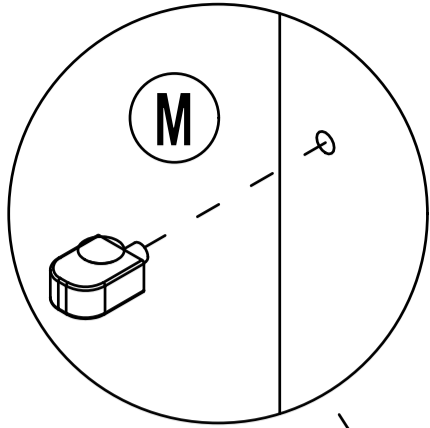
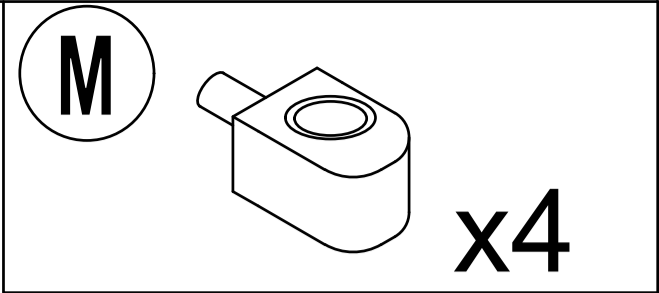


Turning this screw can effectively adjust the size of the door gap.

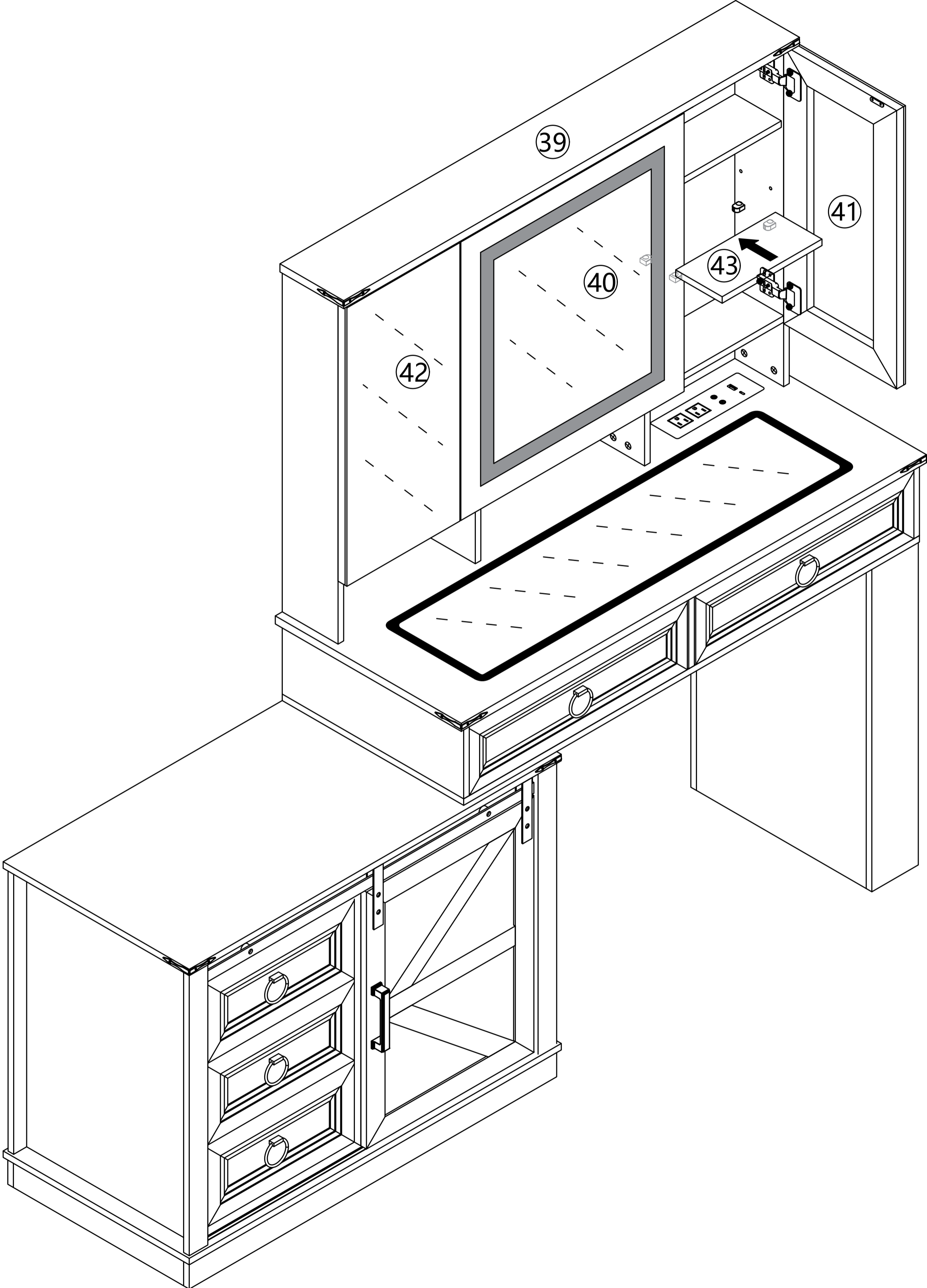


Turn this screw to adjust the door panel to be flat with the side panel.

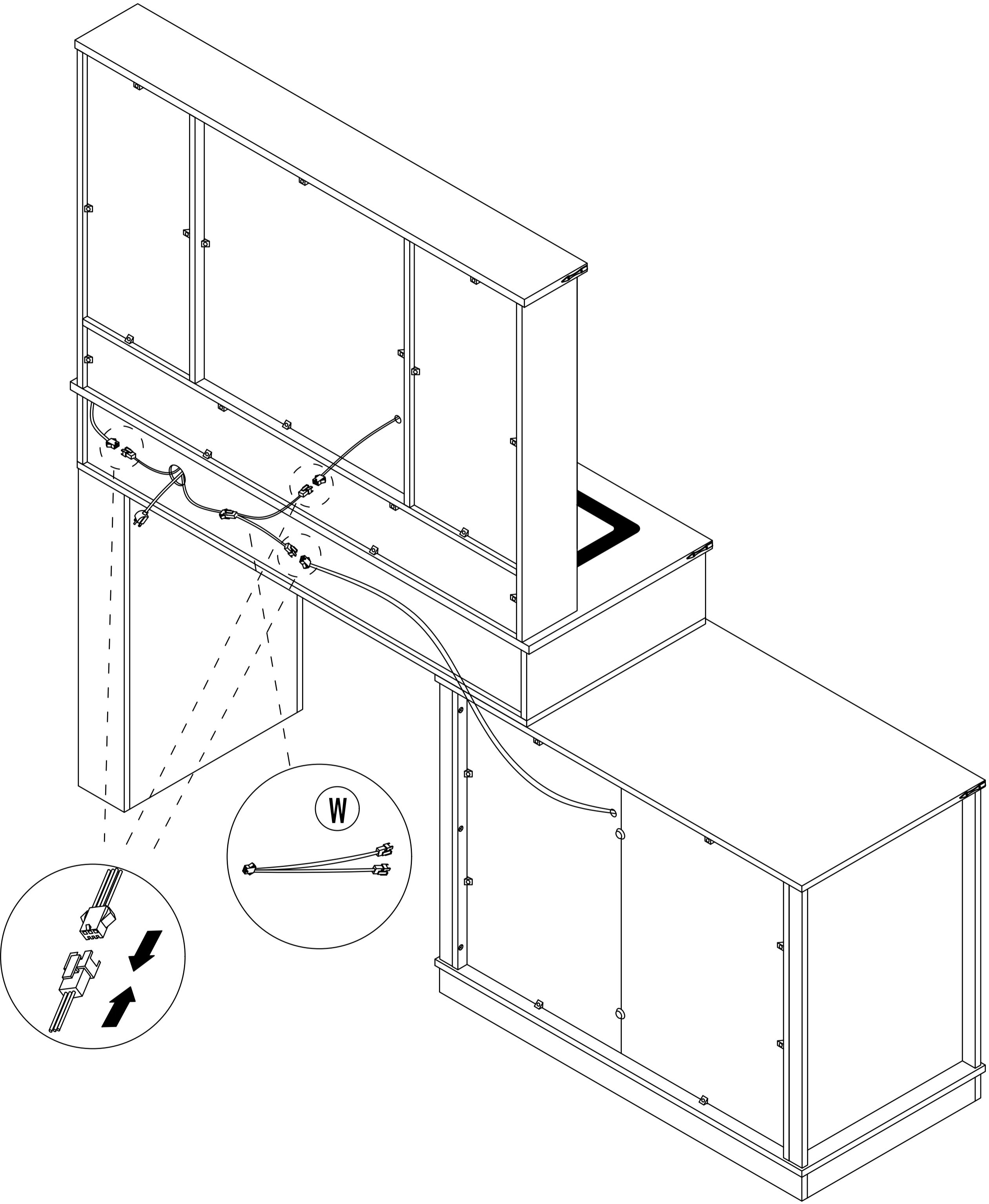
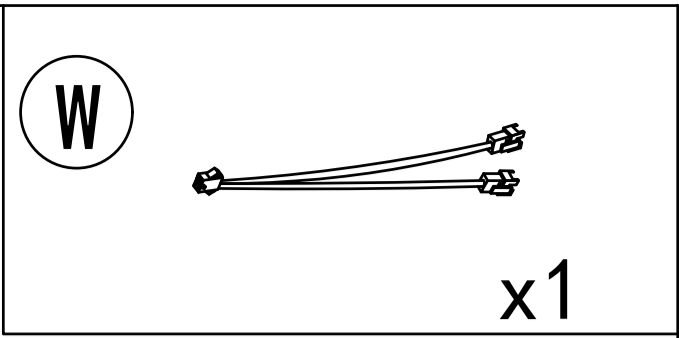
Step 95



Step 96

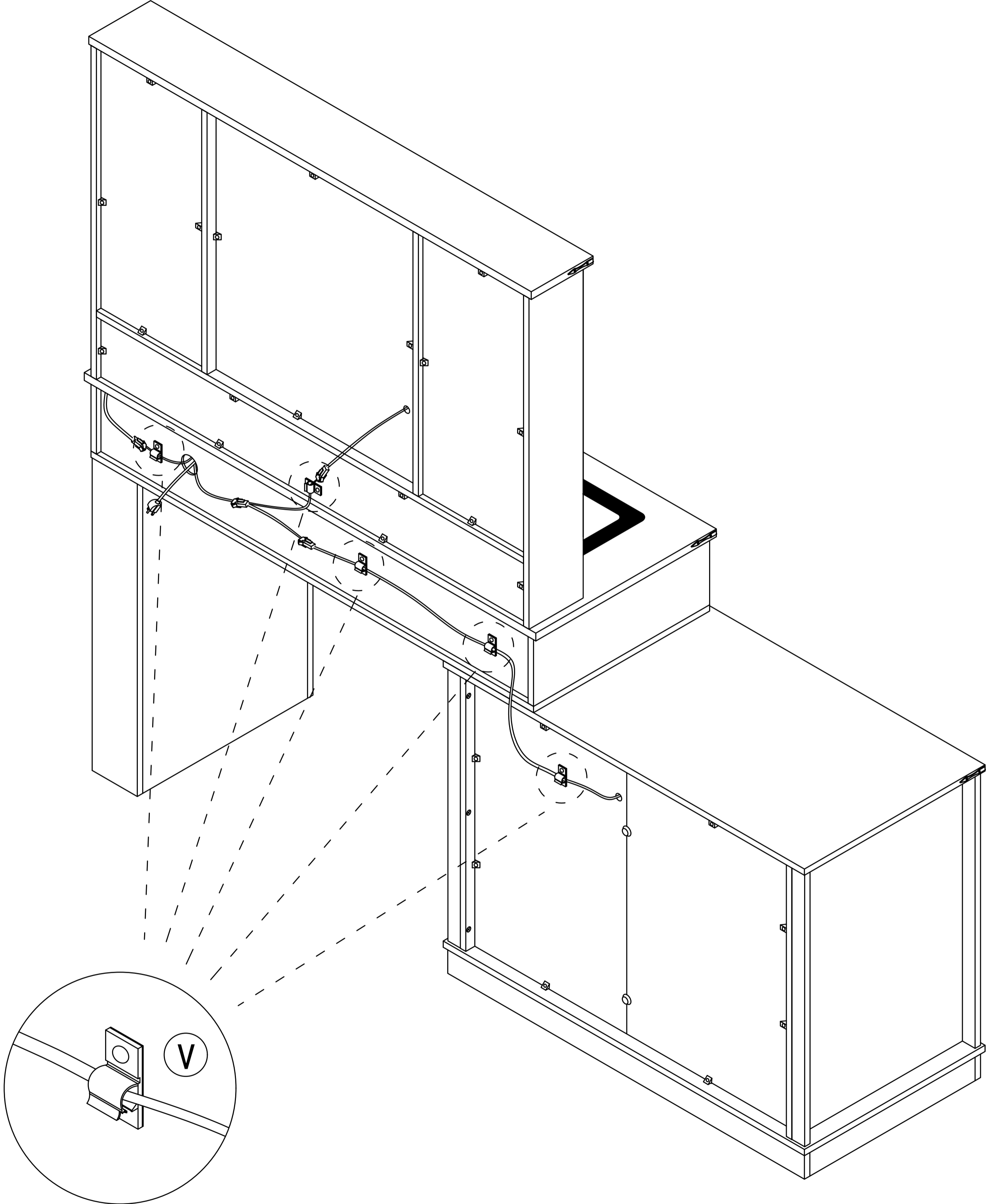
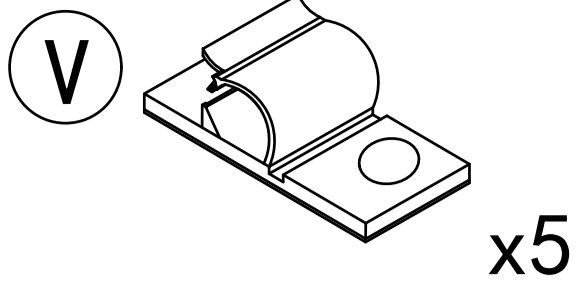


Step 97

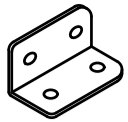



Attention: Please change the wiring method according to the actual placement method

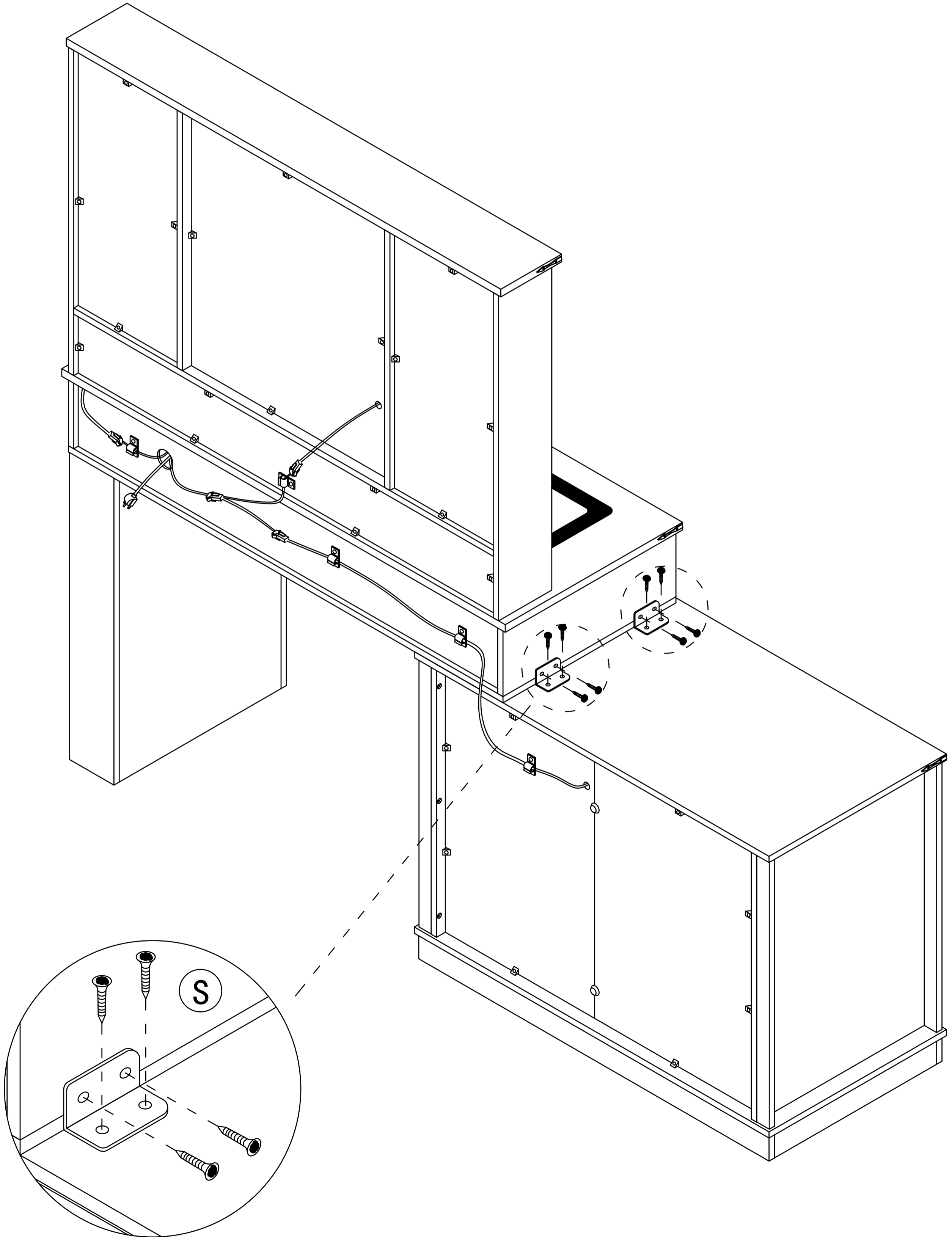
Step 98



Step 99

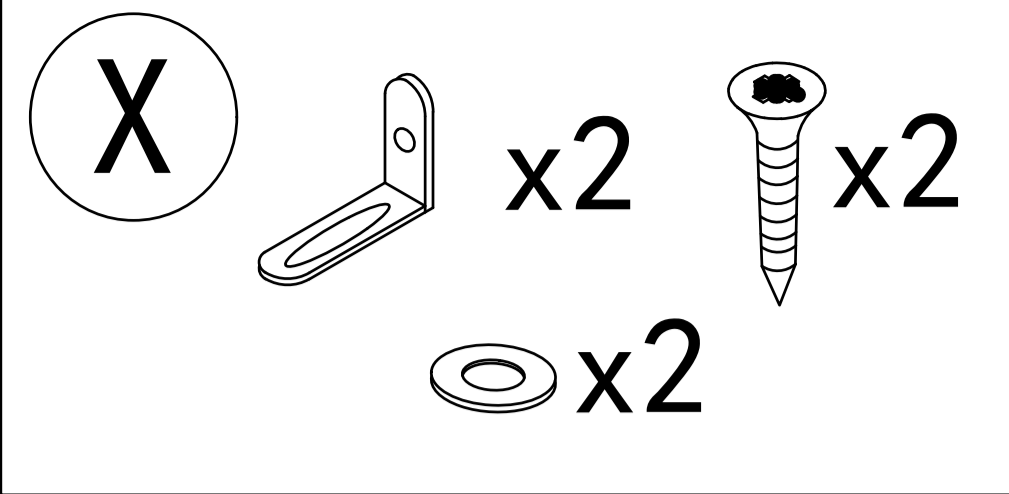
(S)  x2  x8

The corner code is used for fixing the cabinet body, and installation can be selected according to needs

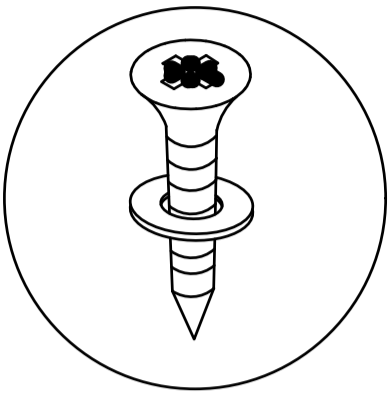


Step 100

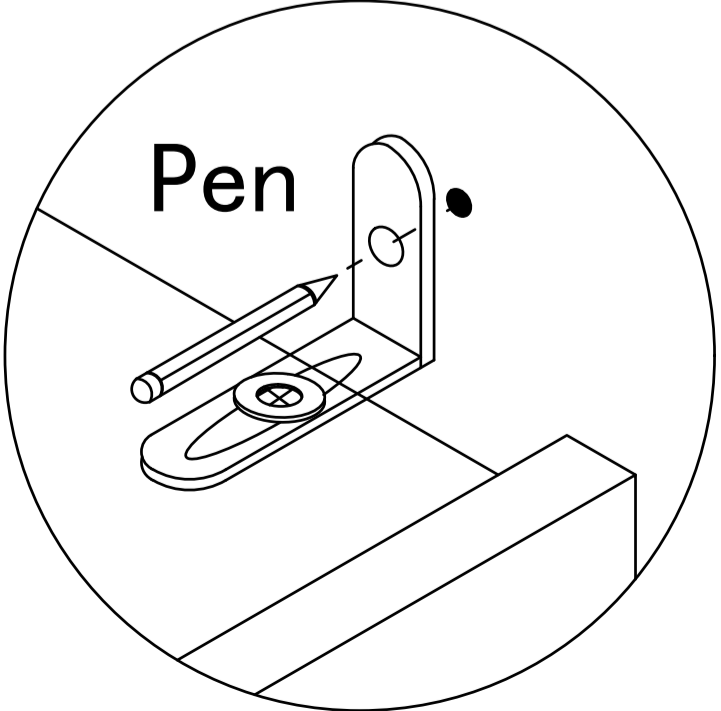
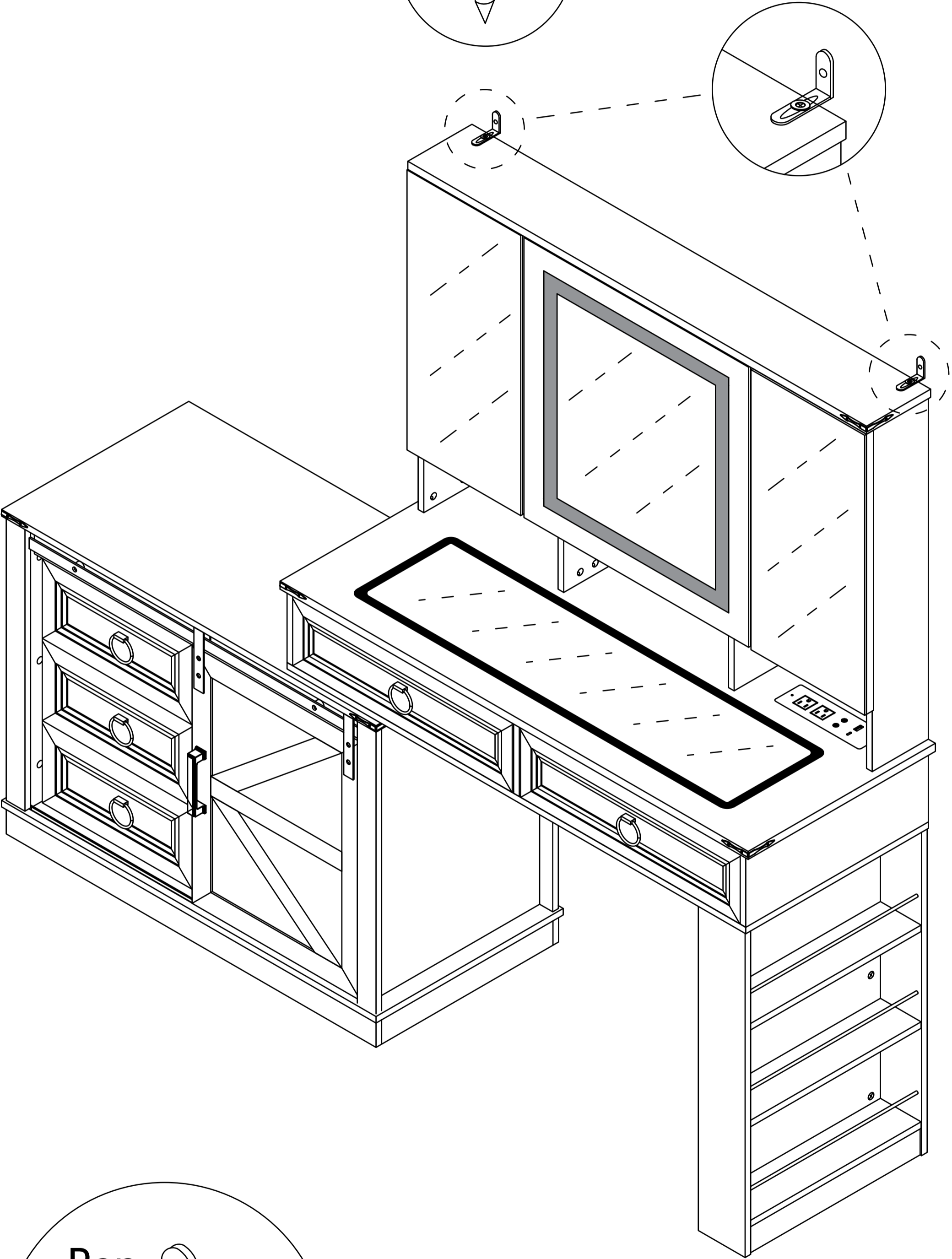
Install as required



3.5x14mm

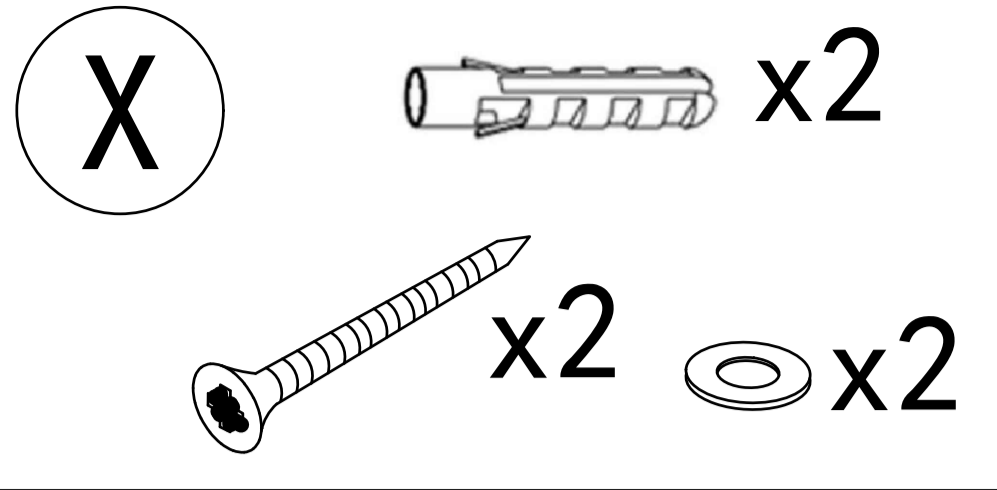
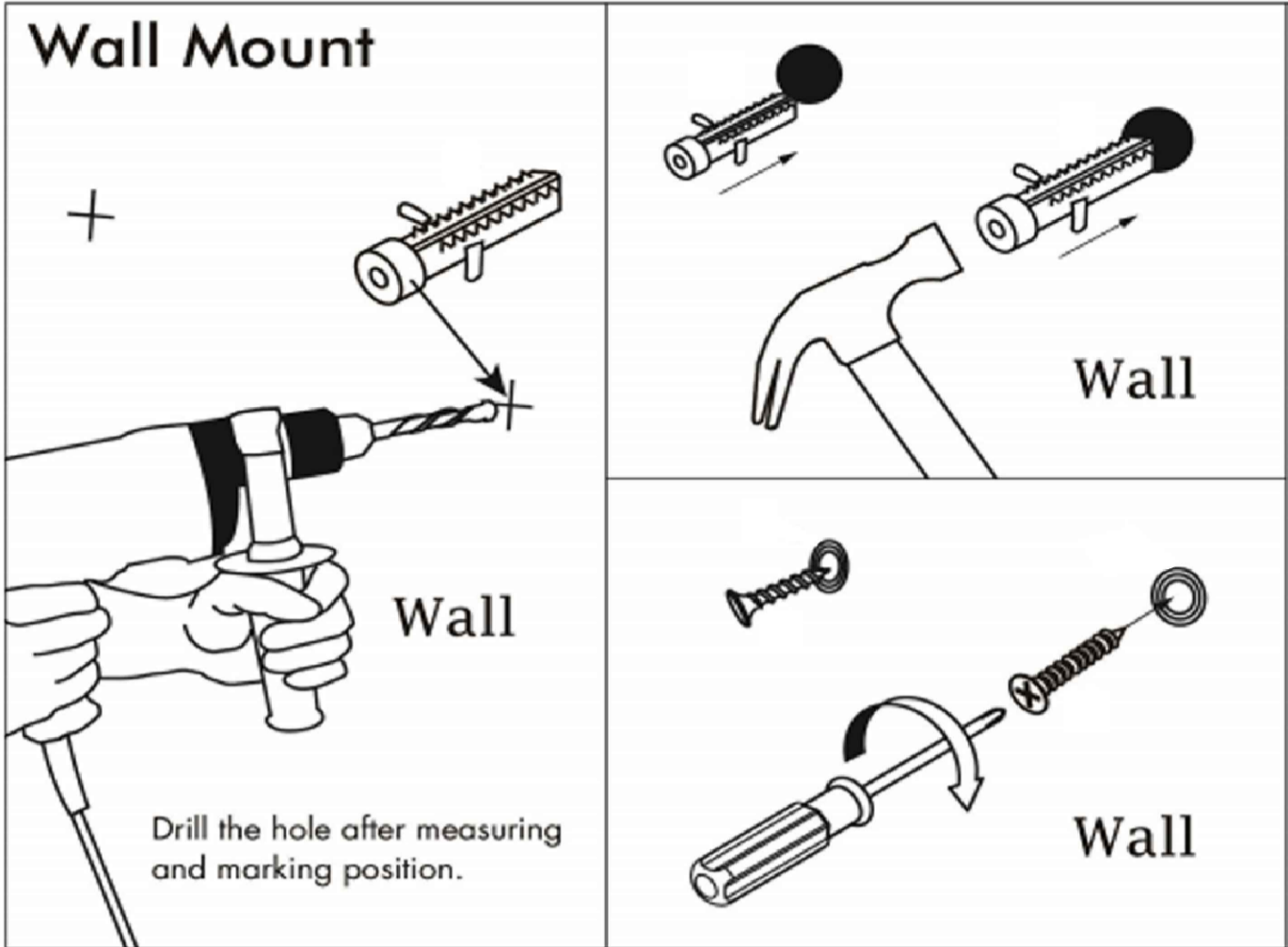


Install the anti fall hardware on the cabinet as shown in the picture first

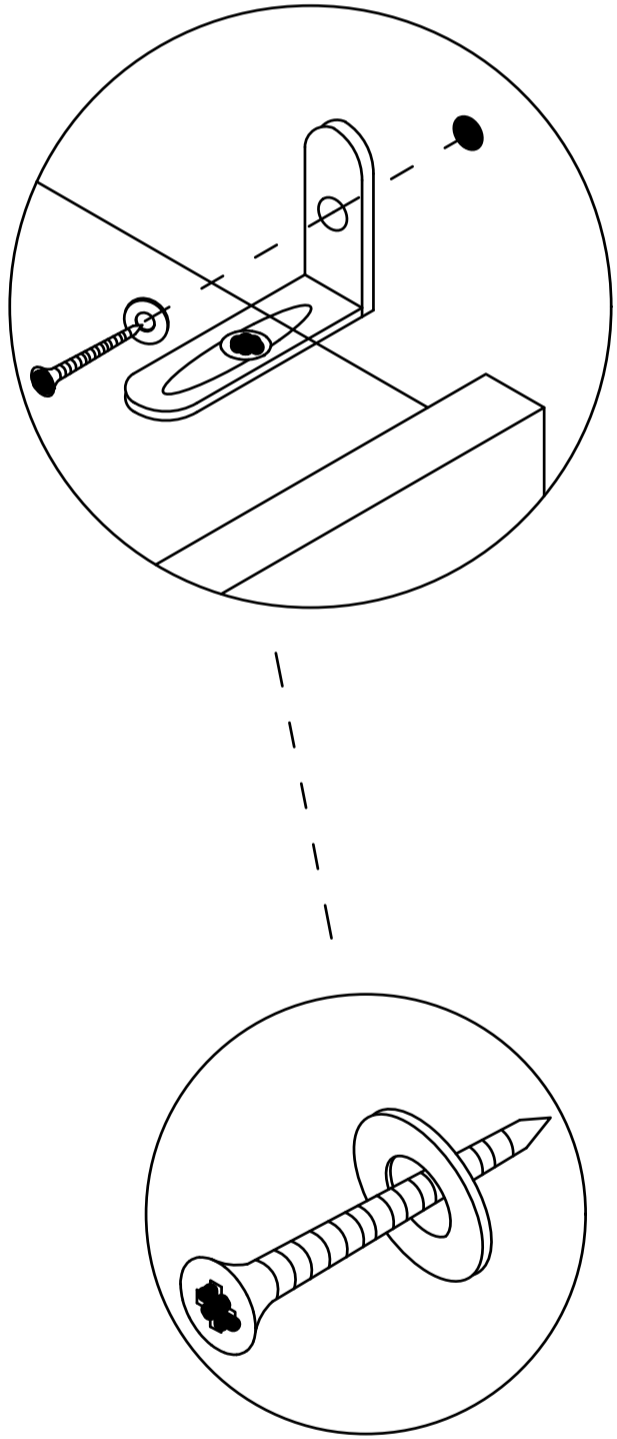
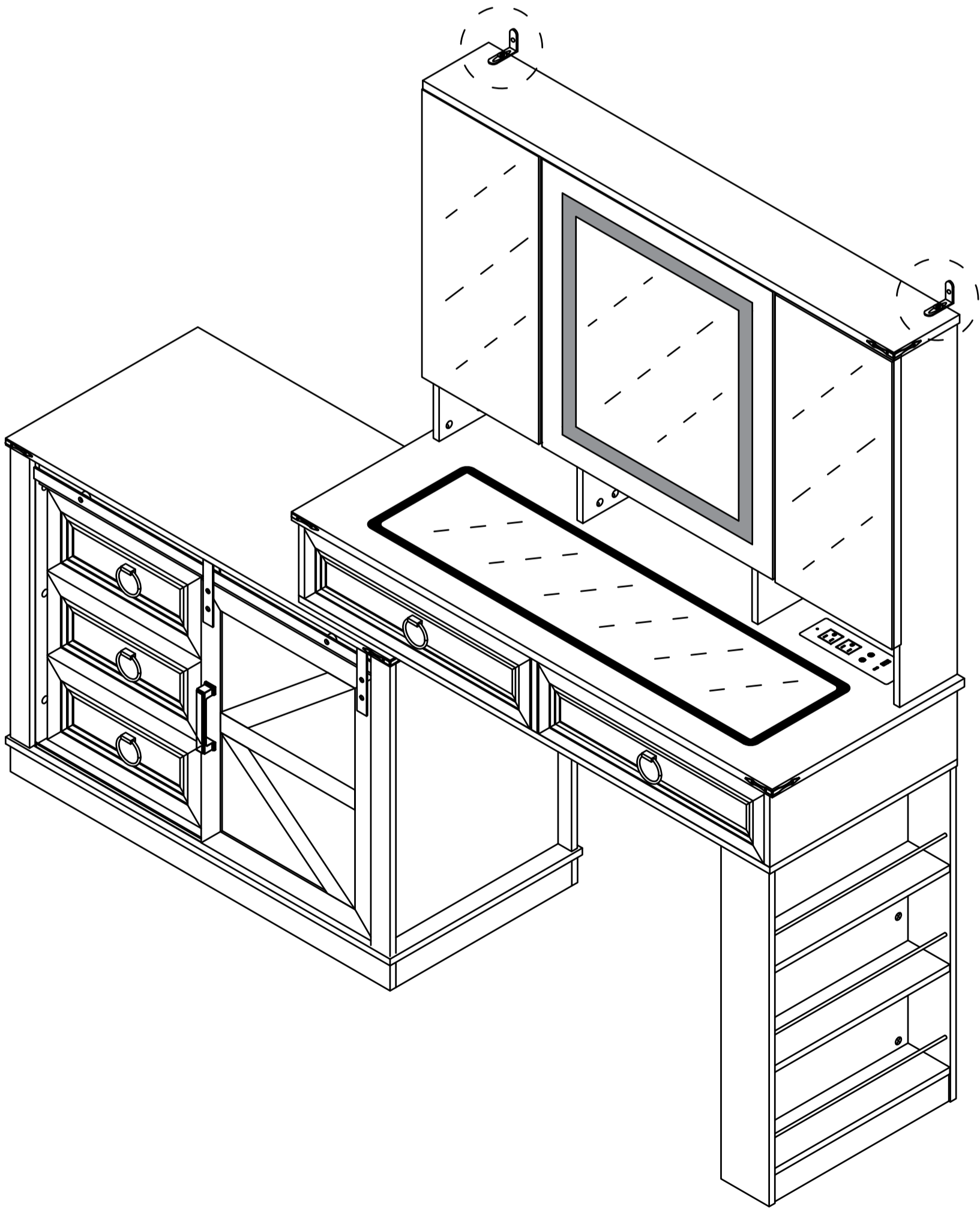


Then mark the wall with a pen through the holes in the anti-fall hardware

Step 101



Drill the hole with an electric drill and punch in the colloidal particles



4x45mm

Fix the dressing table to the wall



User's Guide

A21

Thank you for purchasing this product.
Please use if the product works normally after connecting to power.

Introduction

The box is an intelligent controller.

It has 1 USB-A output port 1 Type-c output port and 2 socket.

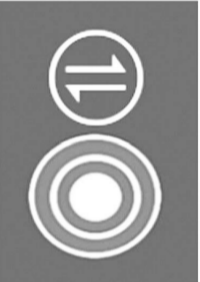
With 2 touch buttons, it can turn. ON/OFF the light,adjust the light luminance,
and change light colors.

Operation



This touch button is used to turn on/off, and adjust brightness.

- A. Short touch ->lighting on ->short touch ->lighting off(It stays as it was before the last time the lights went out).
- B. Long touch -> adjust the luminance.



This touch button is used to change colors.

When the light is turned on, press this button to realize the three-color switching function ,
and this touch key is invalid when the light is not turned on.



ATTENTION PLEASE

1. If there is no touch response suddenly, Re-plug the power to reset the touch static electricity.
2. If you have any questions when installing, please feel free to contact us. Thank you.

