

Installation Manual



15 : 00

estimated
assembly time



2 or more

people required

Ok, let's
get started!



- Put on mood music!
- To prevent damage to product, use the clean side of package carton or rug as working surface.
- In the event of missing or damaged parts, delivery problems etc., please reach out to our team. We will be happy to fix the problem!

care guide

- Clean regularly with a soft and dry cloth.
- To protect finish, avoid use of abrasive cleaners.
- Wipe up spills immediately. Please!

ⓘ **While assembling the product, tighten the bolts up to 50%. Once all parts are in place, only then fully tighten the bolts.**



product parts



A
Table Leg
x2



B
Rod
x1

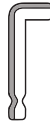


C
Tabletop
x1

what's included



(D) - Bolt
(M6 x 12mm)
x16



(E) - Allen Key
(M4 x 140mm)
x1

assembly instructions

Friendly Tip: Take a deep breath going in. This may be a tricky part, but nothing too overwhelming. Just follow these steps to the T and the outcome will be worth it!

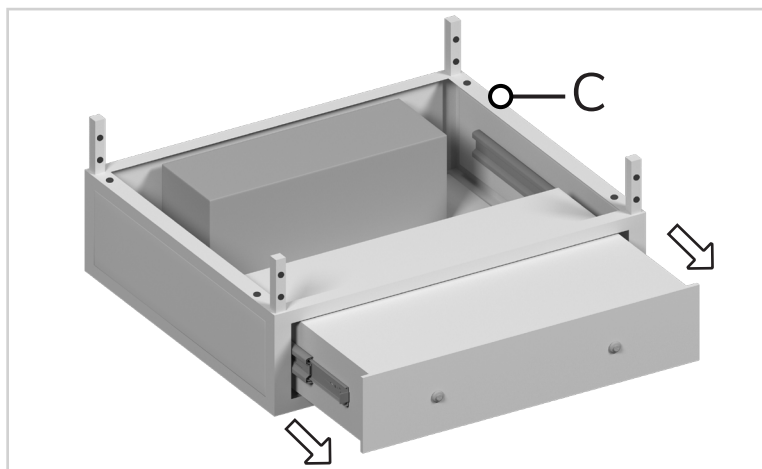


- ⓘ While assembling the product, tighten the bolts up to 50%. Once all parts are in place, only then fully tighten the bolts.

⚠ Note: To ensure proper working of the drawer, pull both knobs together with equal force. Opening the drawer with the help of only one knob may hamper functioning over time.

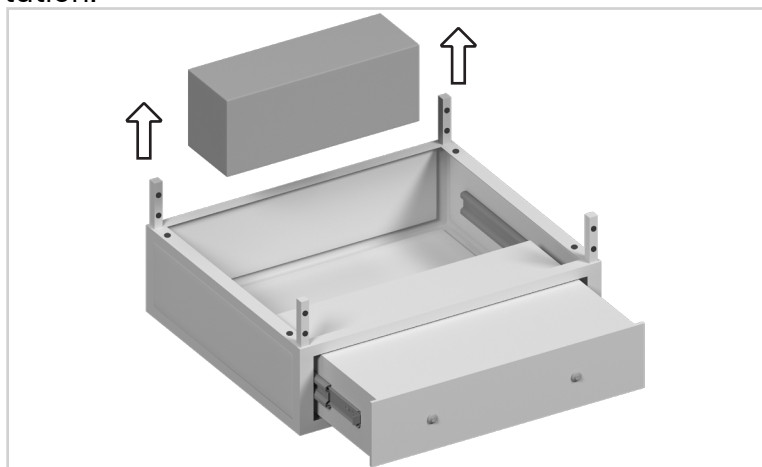
step 1:

Start by placing tabletop (C) upside-down on a rug/carton. Push out the drawer taking this image as reference.



step 2:

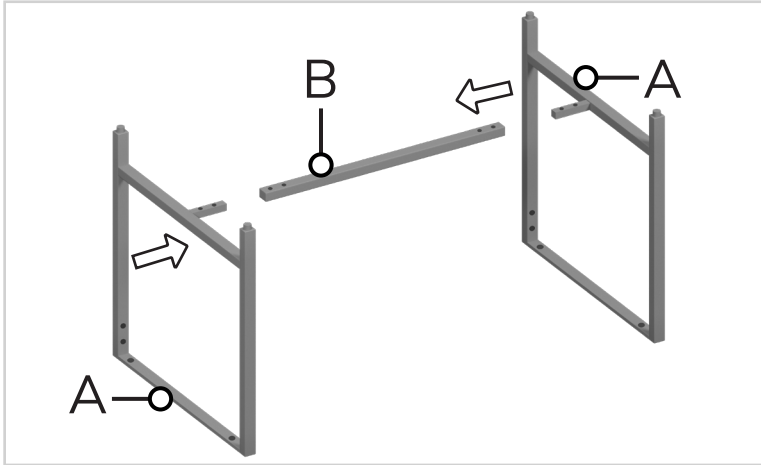
Take out the cardboard box and discard it; it is only for ease of transportation.



⚠ While assembling the product, tighten the bolts up to 50%. Once all parts are in place, only then fully tighten the bolts.

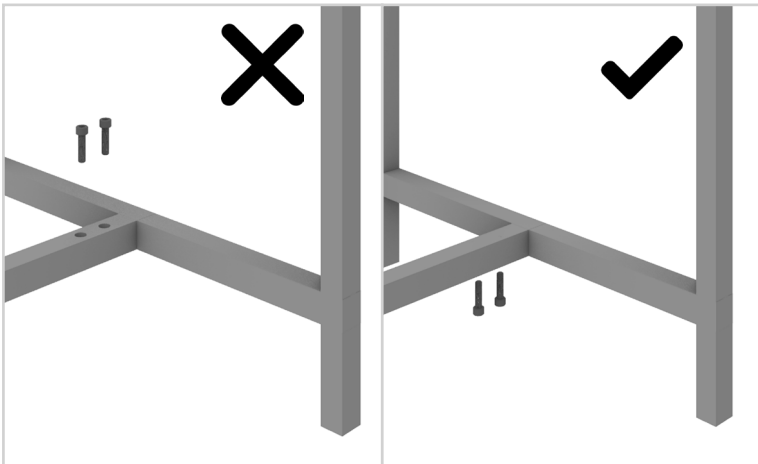
step 3:

Next, taking this image as reference, insert rod (B) to table legs (A).
Simple enough?



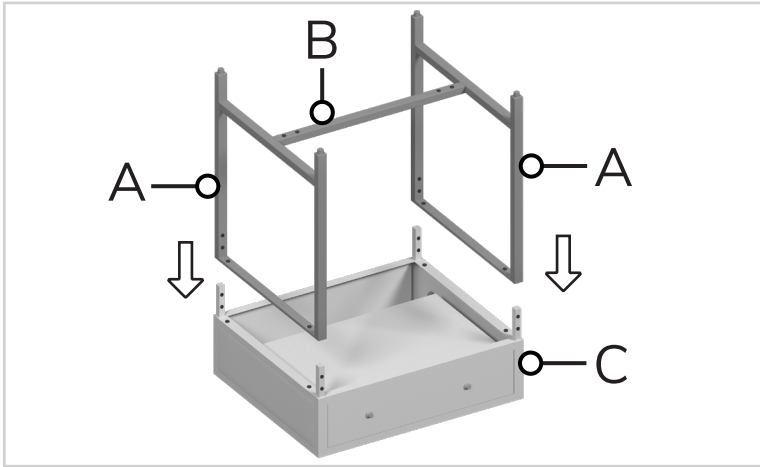
Note:

Ensure that the rods are placed in such a way that the holes are facing downwards, aligning with the lower part of the tenon on the lower frame.



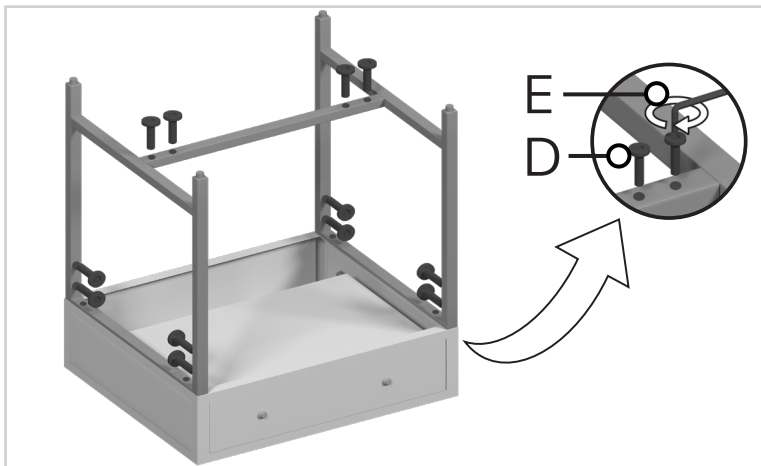
step 4:

Now, insert the resulting frame (A, B) into slots given on tabletop (C).



step 5:

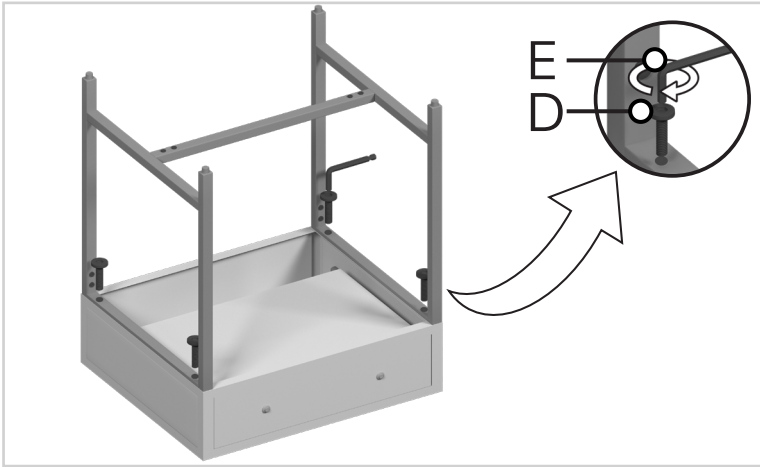
To fix legs (A) and rods (B) in place, use bolts (D) at points shown in this image. Tighten all bolts using allen key (E).



⚠ While assembling the product, tighten the bolts up to 50%. Once all parts are in place, only then fully tighten the bolts.

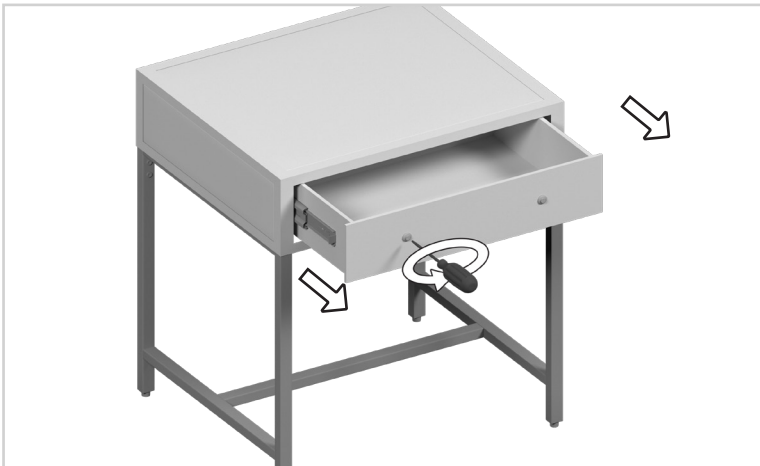
step 6:

Then, use bolts (D) on all four points shown in the image. Tighten them using allen key (E).



step 7:

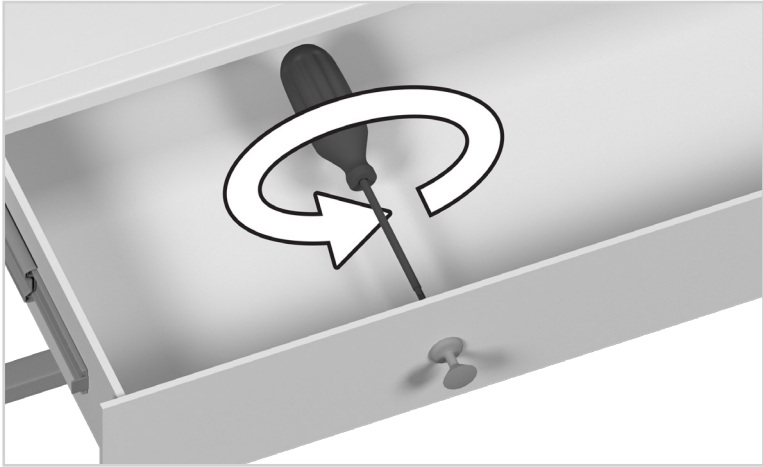
Using a screwdriver, detach the knobs fitted inside the drawer.



⚠ Note: To ensure proper working of the drawer, pull both knobs together with equal force. Opening the drawer with the help of only one knob may hamper functioning over time.

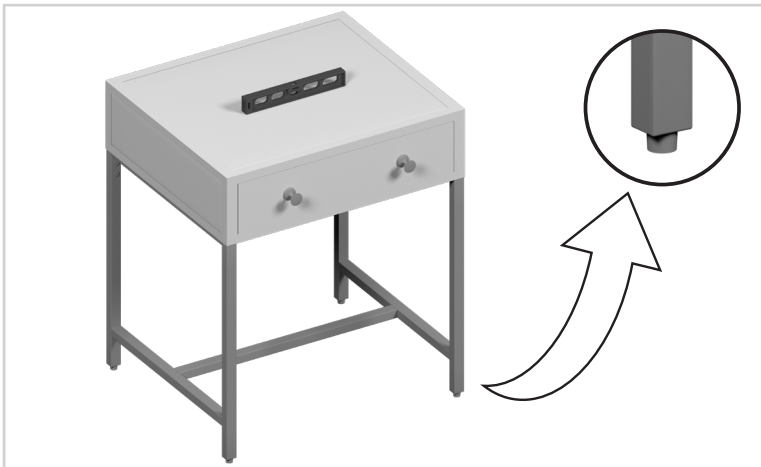
step 8:

Place the knobs outside the drawer and re-attach using the screws that you just removed and tighten using the screwdriver.



step 9:

Place a spirit level on top of the surface to check alignment. Adjust the levellers if needed.



Voila! Your table is now assembled and secure!