



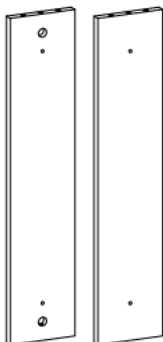
Ax1



Bx1



Cx1



Dx2



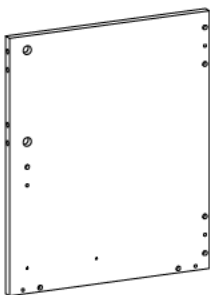
Ex1



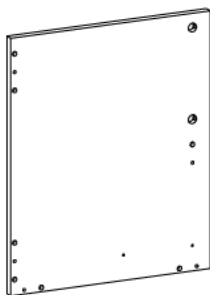
Fx1



Gx1



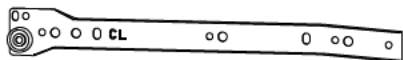
Hx1



Ix1



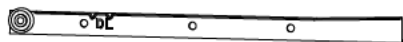
Jx2



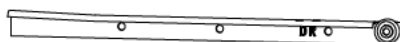
CLx1



CRx1



DLx1



DRx1



Kx18



Lx22



Mx22



Nx12  
M3.5x $\frac{12}{0.5}$

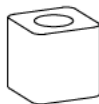


Ox4

M3.5x $\frac{30}{1.2}$



Px16



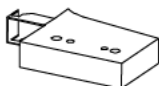
Qx2



Rx2



Sx2



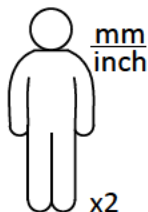
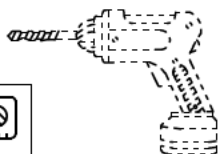
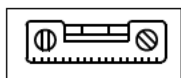
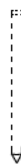
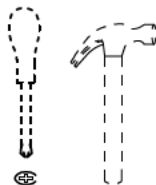
Tx2



Ux6



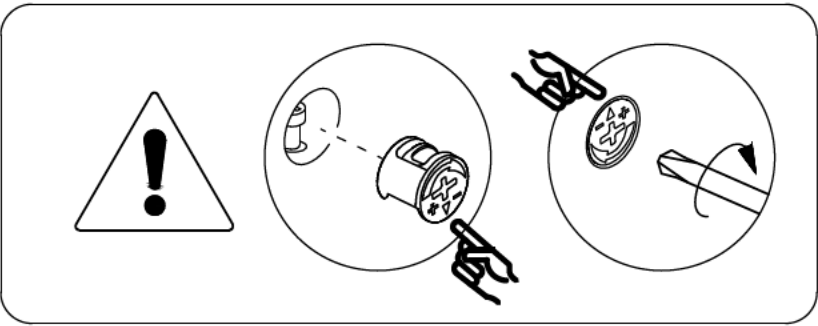
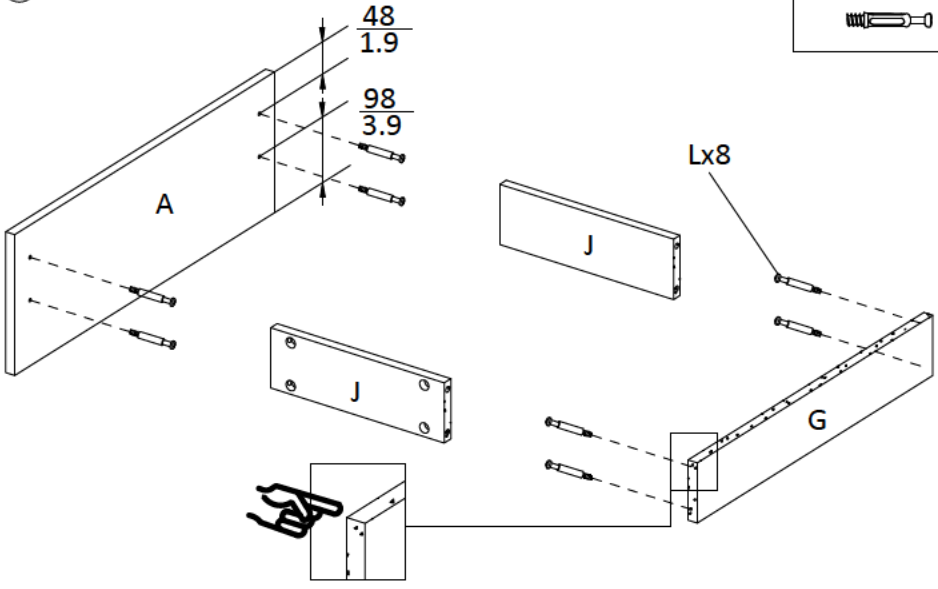
Vx6



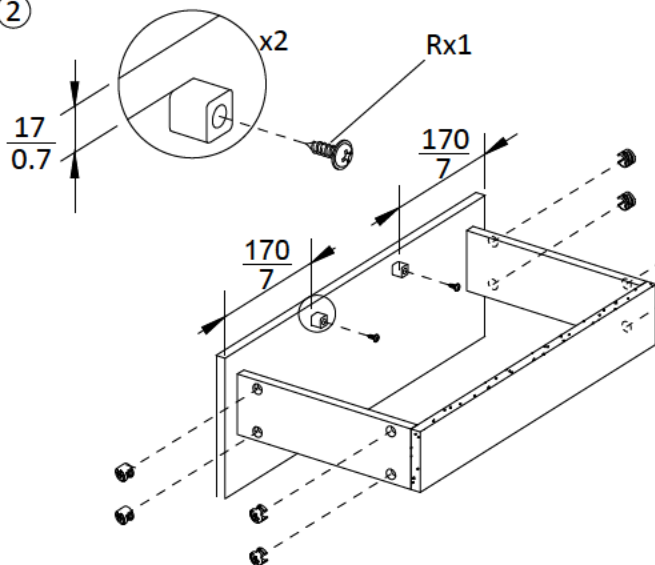
x2

①

Lx8



②



Mx8



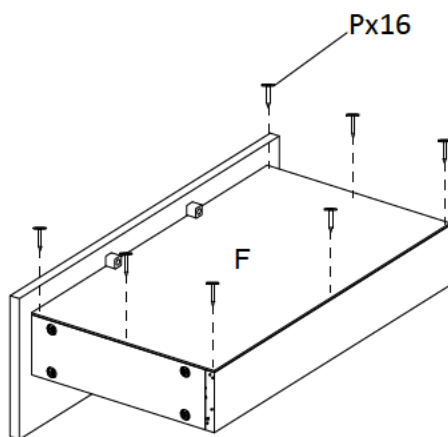
Qx2



Rx2



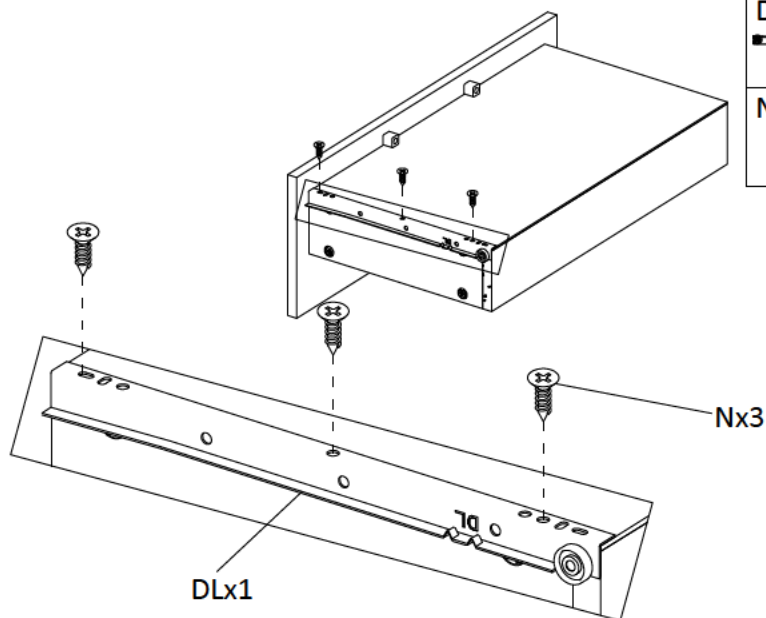
③



Px16



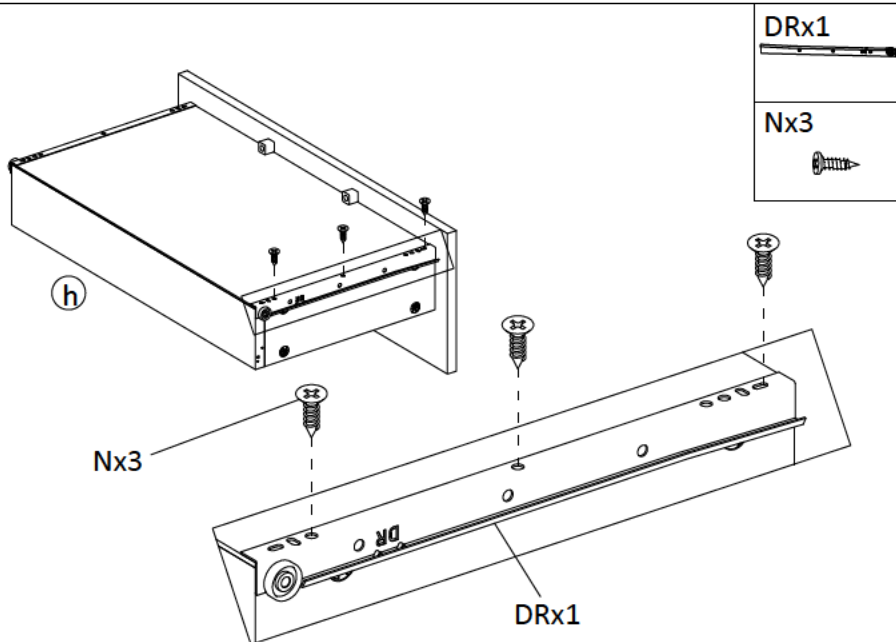
④



DLx1

Nx3

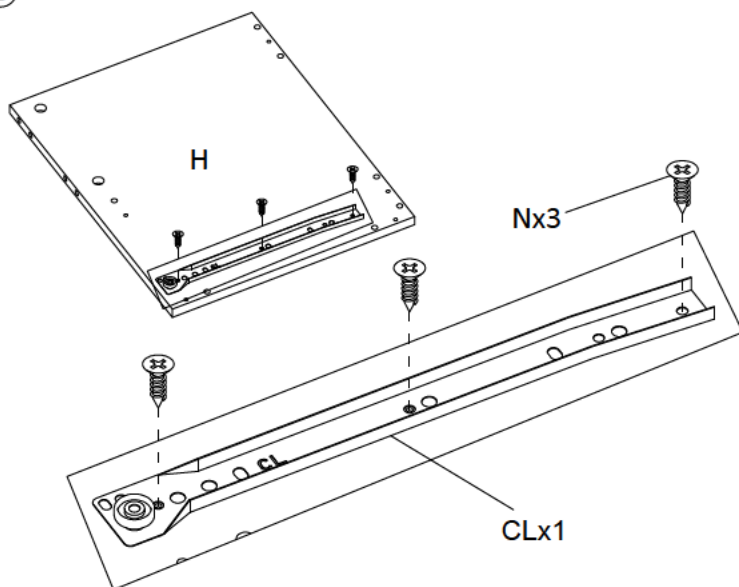
⑤



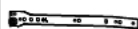
DRx1

Nx3

6



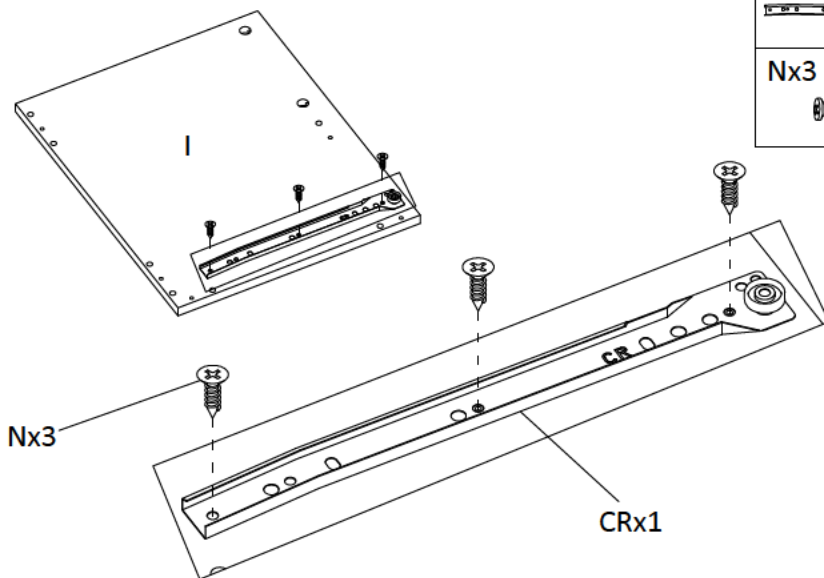
CLx1



Nx3



7

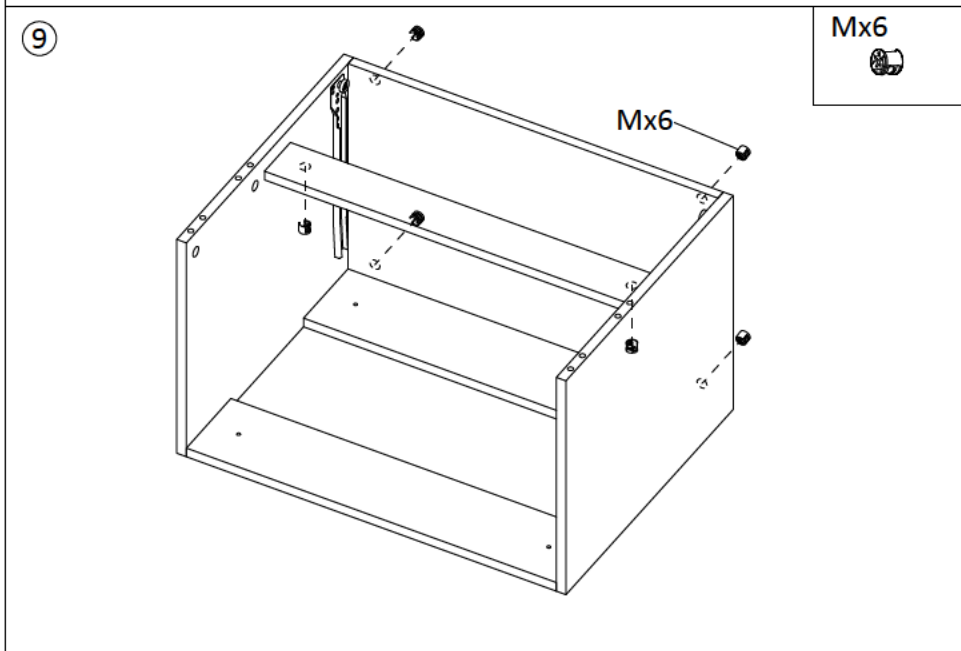
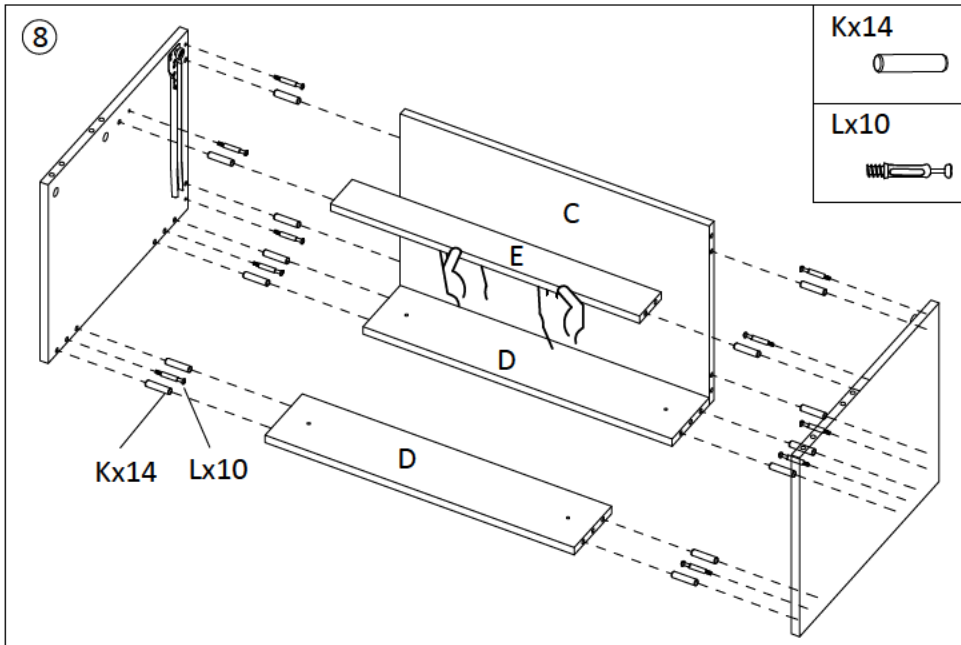


CRx1

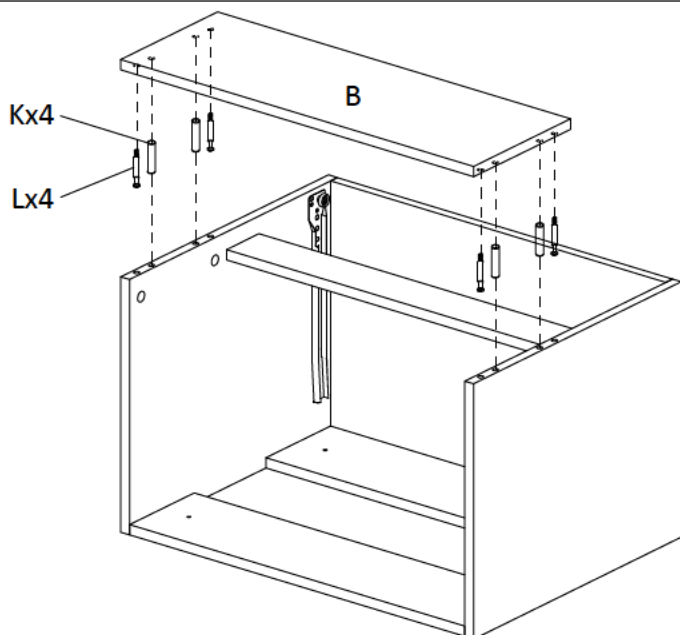


Nx3





10



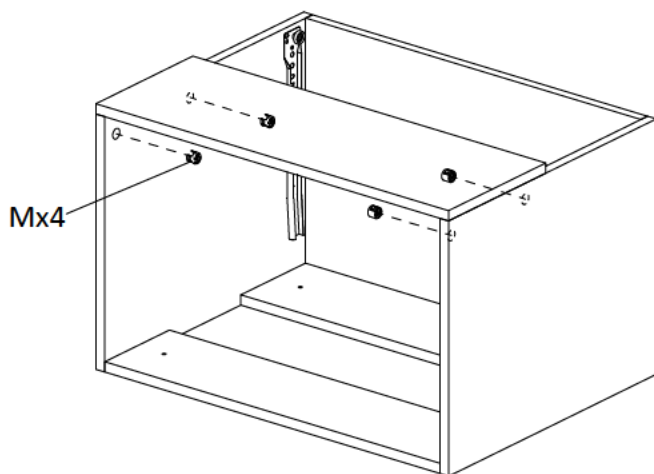
Kx4



Lx4



11

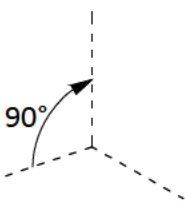


Mx4

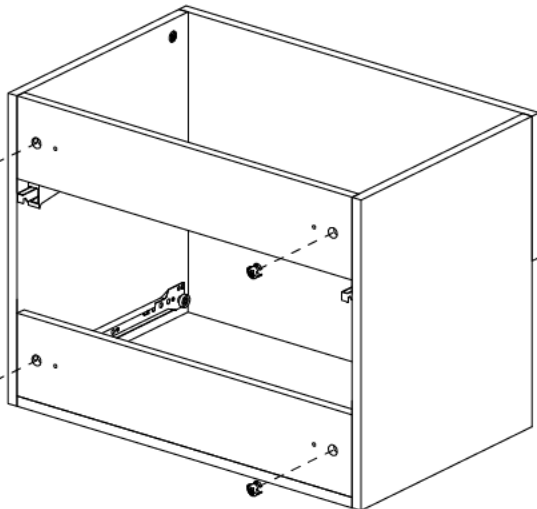


12

Mx4



Mx4



13

Ox4 30  
M3.5x1.2



Tx2

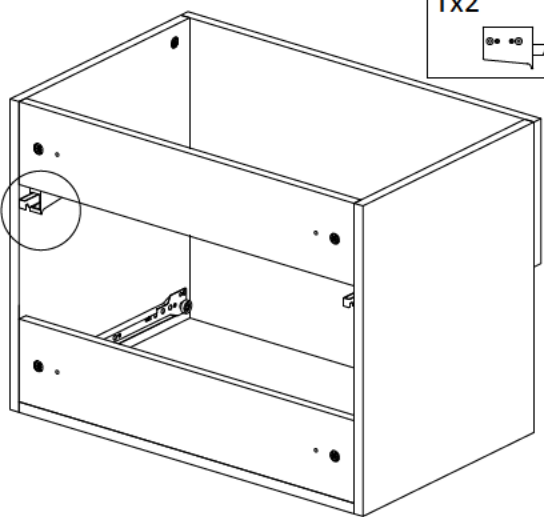
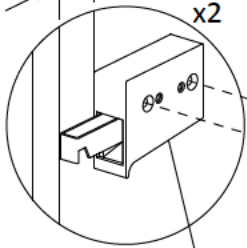


25  
1

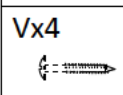
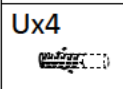
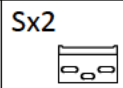
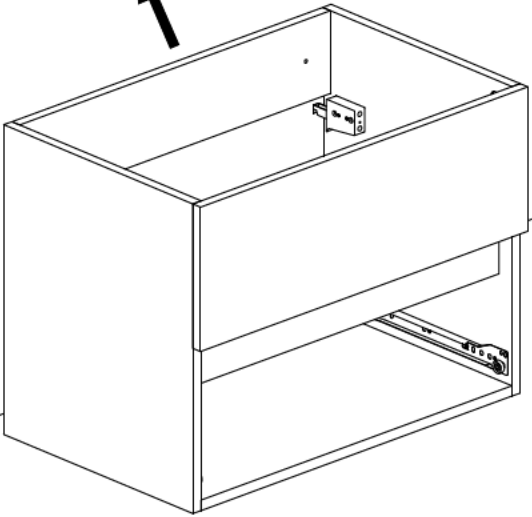
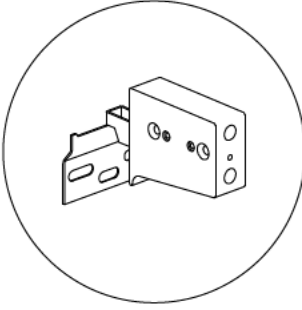
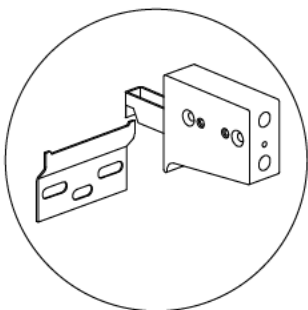
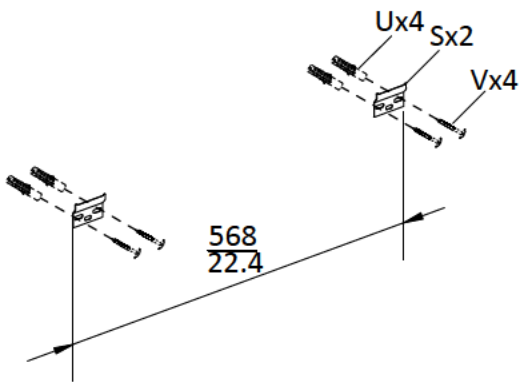
Ox2

x2

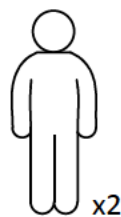
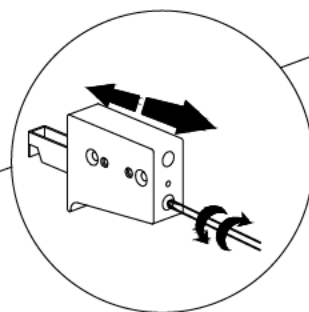
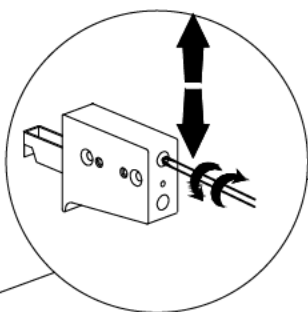
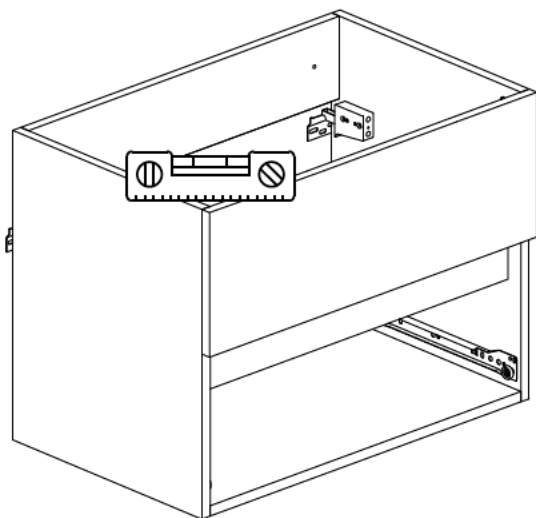
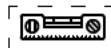
Tx1



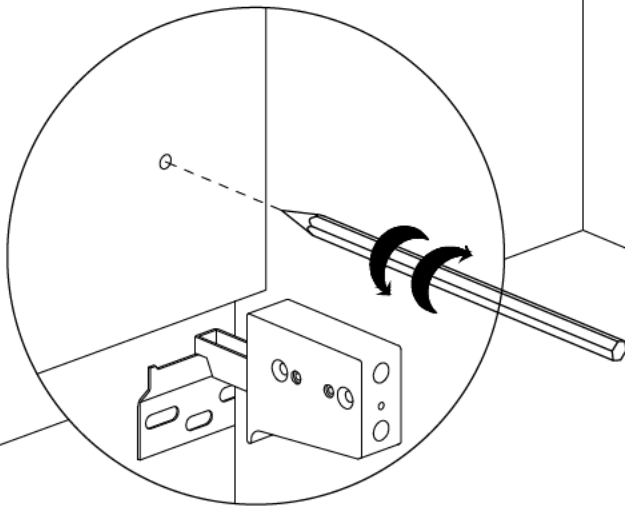
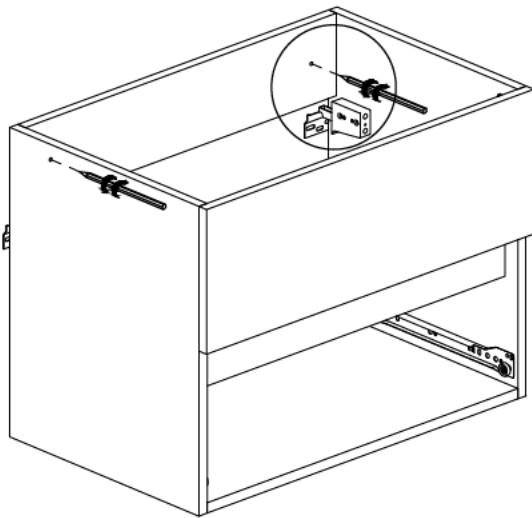
14



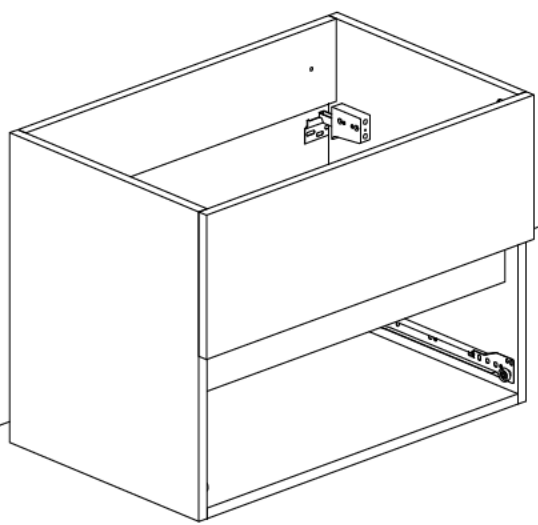
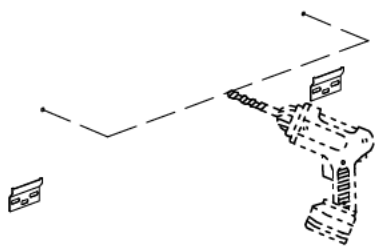
15



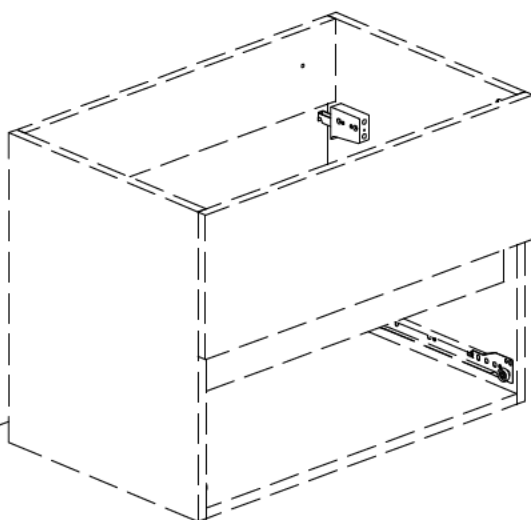
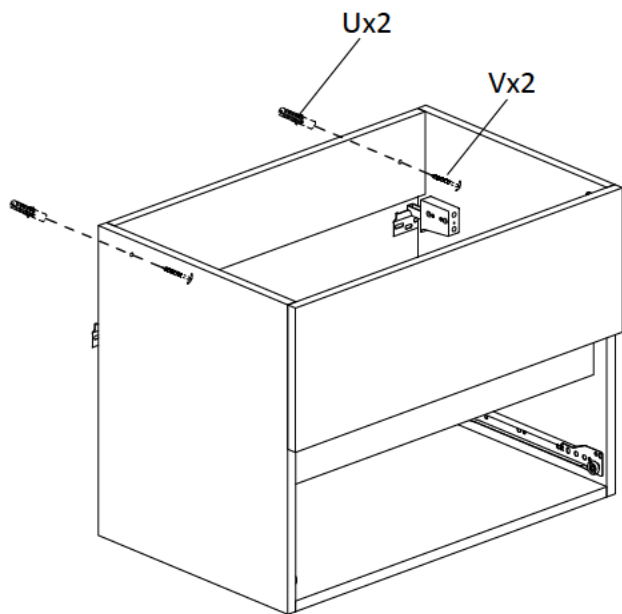
16



17



18



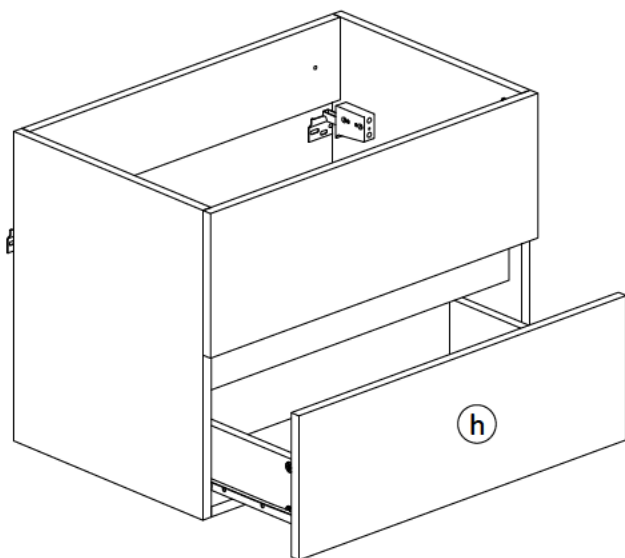
Ux2



Vx2



19



20

