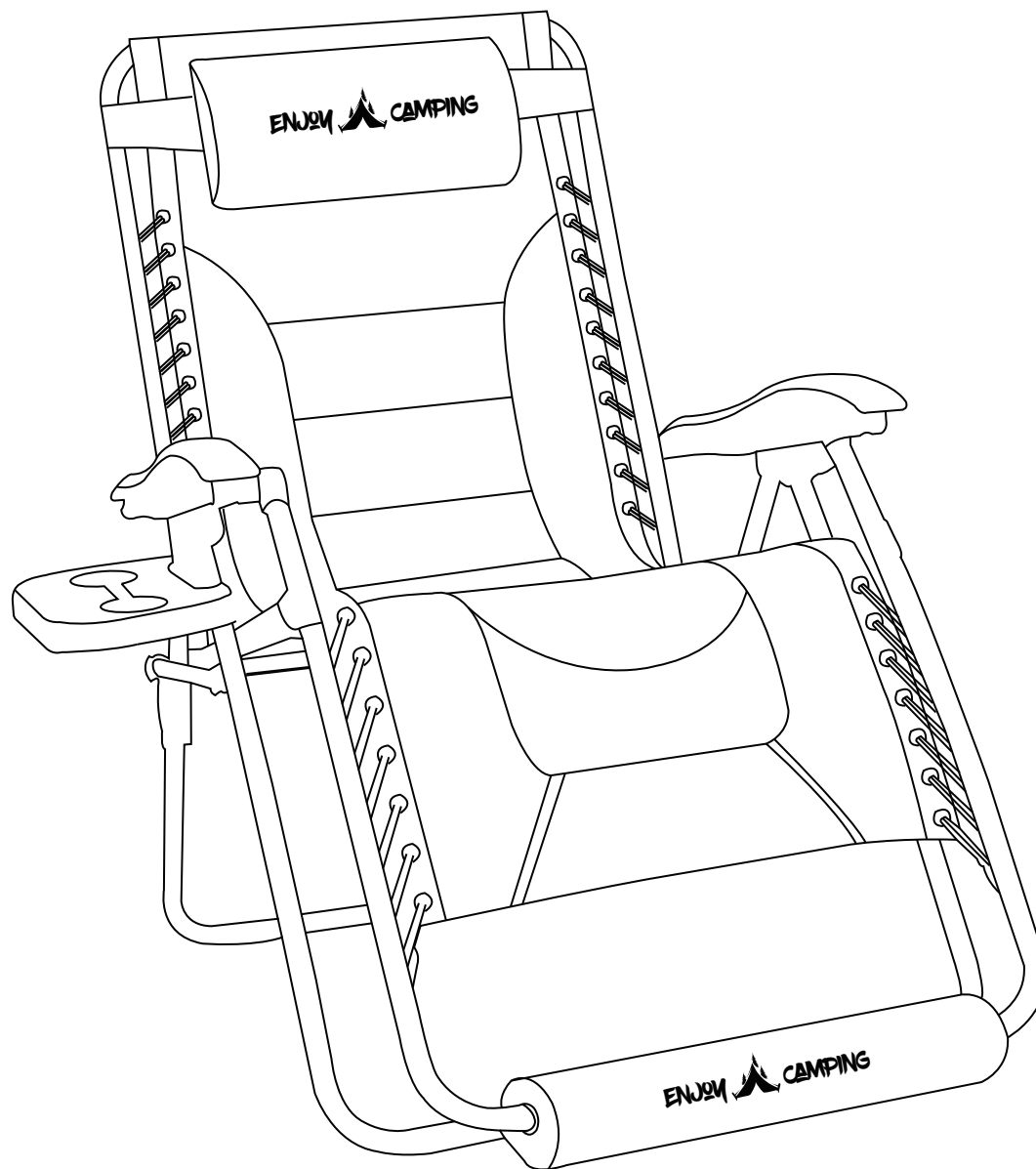
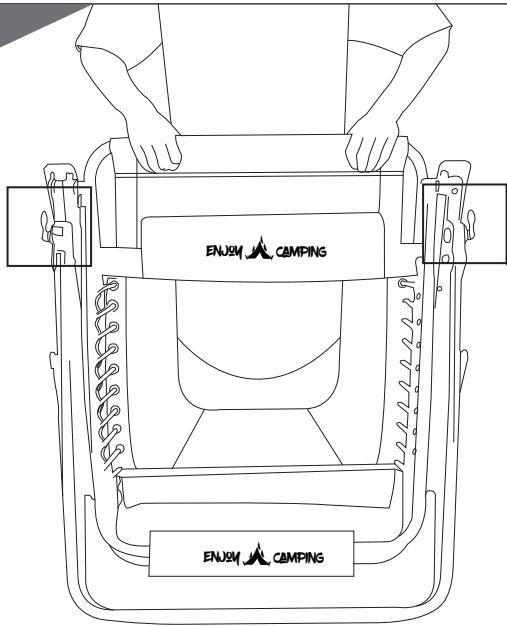


Reclining chair

If you have any questions later, please contact us by email:
Patiofurniture Serviceteam@outlook.com

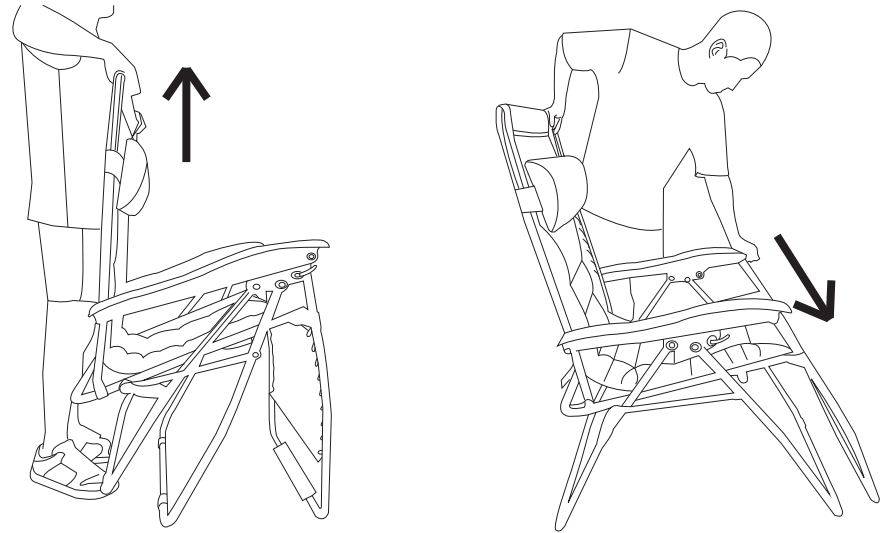


step 1

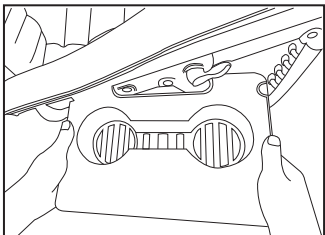


Please make sure that the lock is facing upwards.

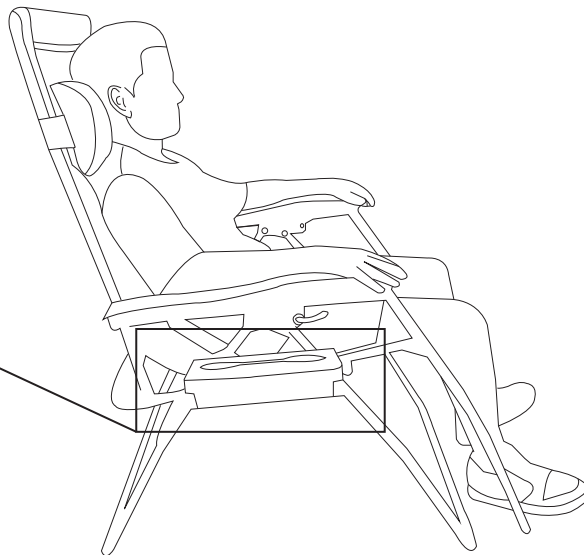
step 2



step 3

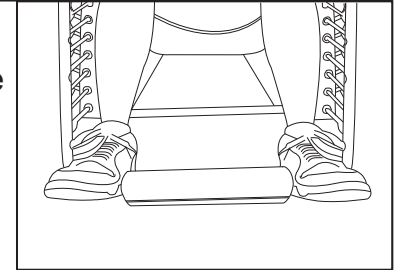


Install the cup holder when the seat is opened.

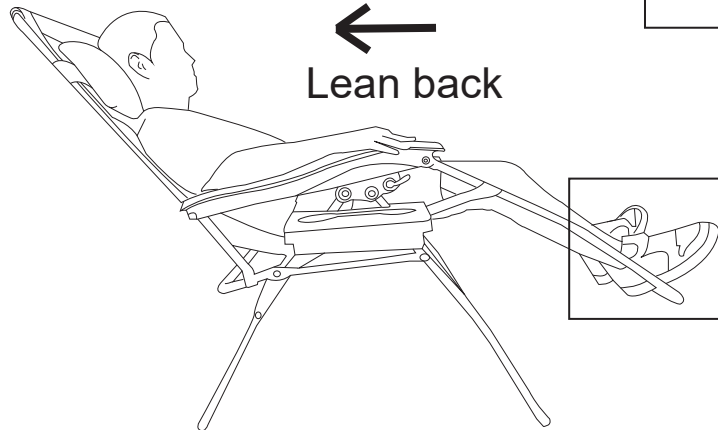


step 4

Please put your feet on both sides of the sponge foot pad and push hard.

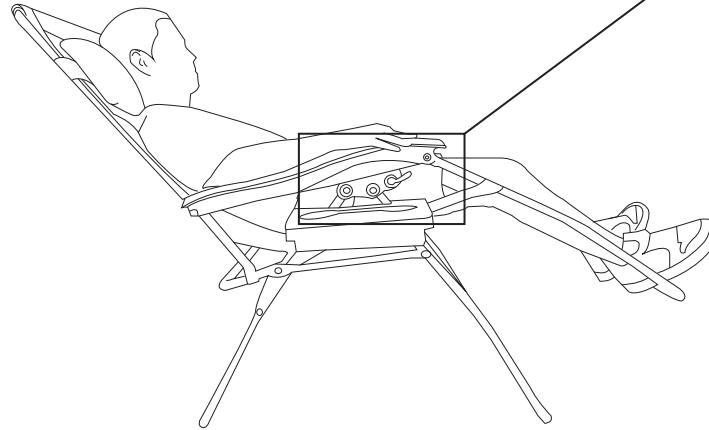
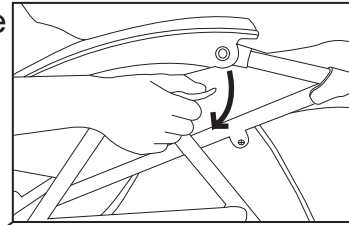


←
Lean back



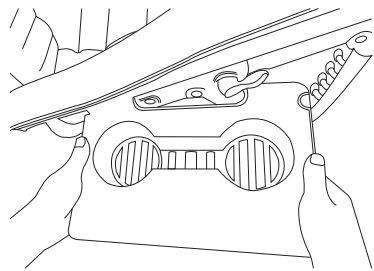
step 5

After you lie down, there is a lock on the armrest to fix the recliner, pull it down.

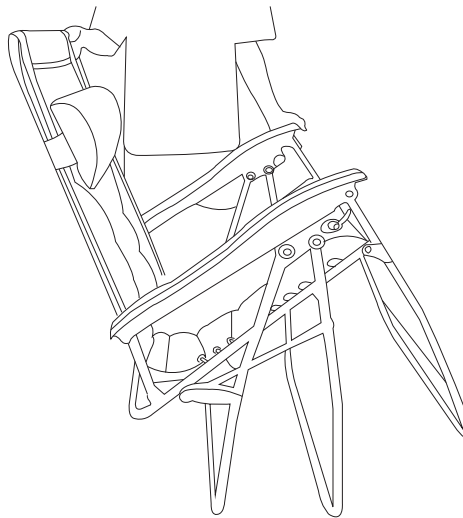


step 7

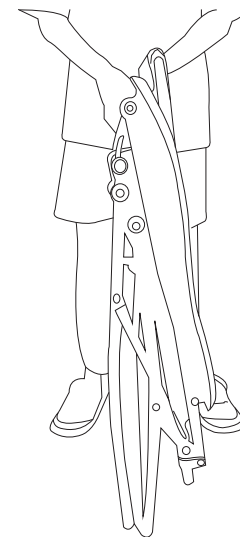
How to collect?



Put away the cup holder



Folding seat



Finish