

Suggestion:
To make the installation process easier and faster,
we recommend that **TWO** people work together to install the **ENTRANCE TABLE**.

When dealing with this product, please refrain from simply throwing it away.
Instead, kindly dispose of it in the designated recycling container.

IMPORTANT:

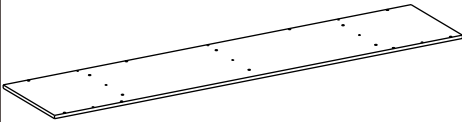
1. Please read the instructions carefully before assembling the product.
2. Before starting the assembly process, check the package carefully to make sure all necessary boards and parts are included.
3. Before assembly, put all parts and boards in an open area. Ensure that you have the correct parts before screwing them in place.

⚠ Warning:

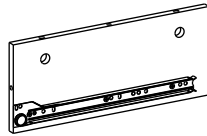
1. During assembly, keep all small objects out of the reach of children, as they may be fatalif swallowed or inhaled
2. Never allow children to climb or play around the product to protect children from injury caused by the tilting of the product.
3. To avoid the potential dangers of suffocation, please keep all parts and packaging away from children.

Accessories list

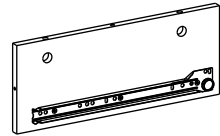
A x1



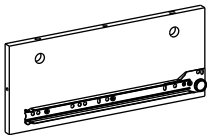
B x1



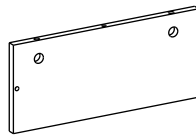
C x1



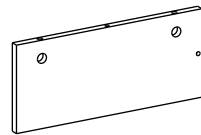
D x1



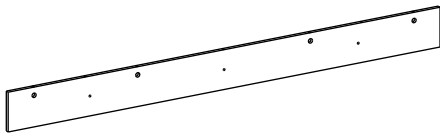
E x1



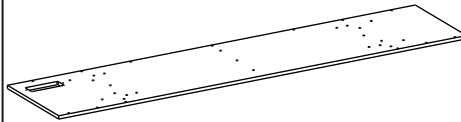
F x1



G x1



H x1



I x2



J x2



K x2



L x4



Accessories list

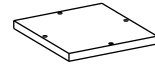
M x2



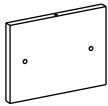
N x2



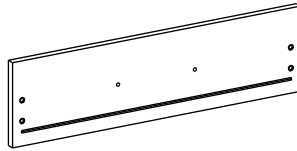
O x2



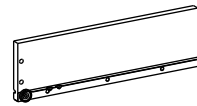
P x4



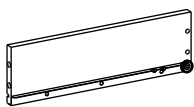
Q x2



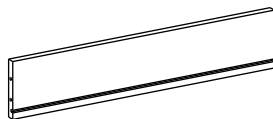
R x2



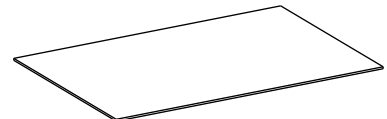
S x2




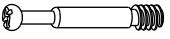


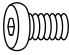

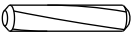
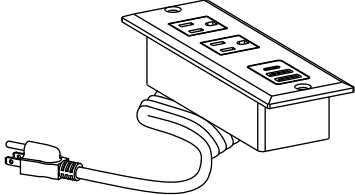

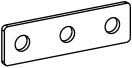


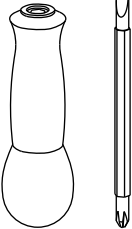
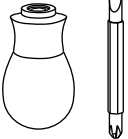

T x2



U x2



Accessories list

<p>① x71+6</p>  <p>Screw Ø5*40 mm</p>	<p>② x34+3</p>  <p>Screw Ø6.5*35 mm</p>	<p>③ x34+3</p>  <p>Ø15*9 mm</p>
<p>④ x4+1</p>  <p>Screw M4*16 mm</p>	<p>⑤ x16+1</p>  <p>Screw Ø1/4"*10 mm</p>	<p>⑥ x2+1</p>  <p>Screw M4*10 mm</p>
<p>⑦ x26+2</p>  <p>Ø6*30 mm</p>	<p>⑧ x1</p> 	<p>⑨ x2</p> 
<p>⑩ x8</p>  <p>70*20*2.5 mm</p>	<p>⑪ x1</p>  <p>S3</p>	<p>⑫ x1</p>  <p>S4</p>
<p>⑬ x1</p> 	<p>⑭ x1</p> 	<p>⑮ x8+1</p>  <p>30*12*3 mm</p>

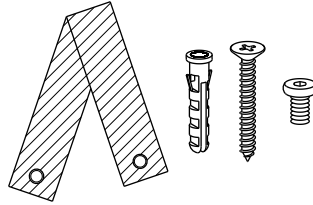
★ In many cases, we include additional hardware. So after following the assembly instructions, don't worry if there are still extra pieces left over—they're included as a "just in case" for your convenience.

Accessories list

①⑥ x4+1



①⑦ x2



★ In many cases, we include additional hardware. So after following the assembly instructions, don't worry if there are still extra pieces left over—they're included as a "just in case" for your convenience.

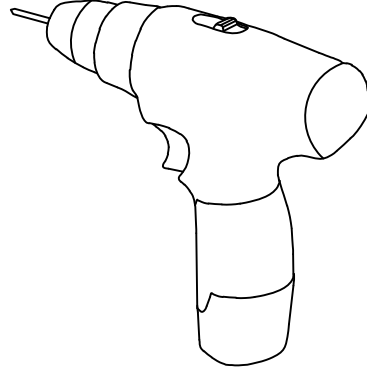
Self equipped tools



Phillips Screwdriver



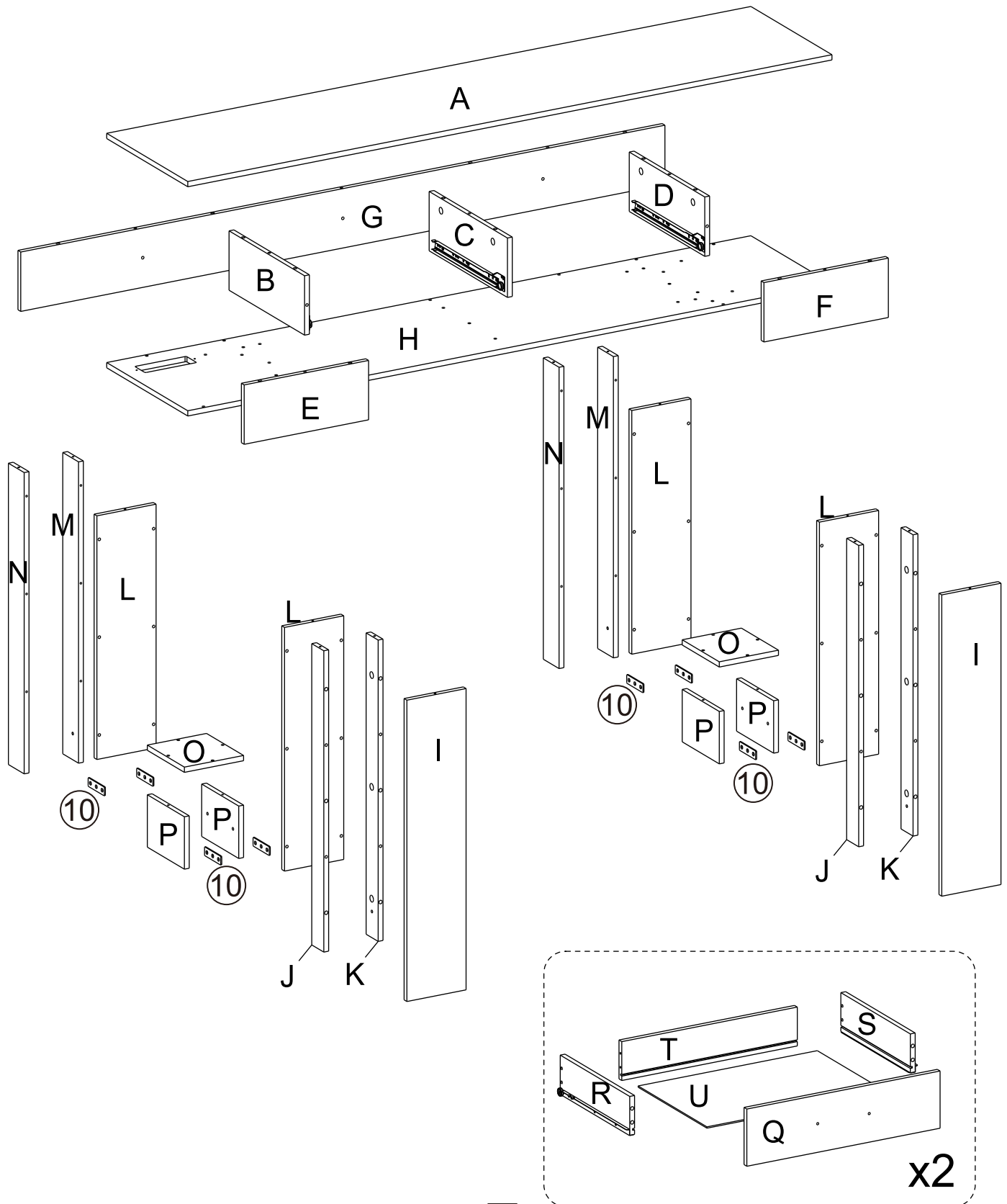
Slotted Screwdriver
(Not included)



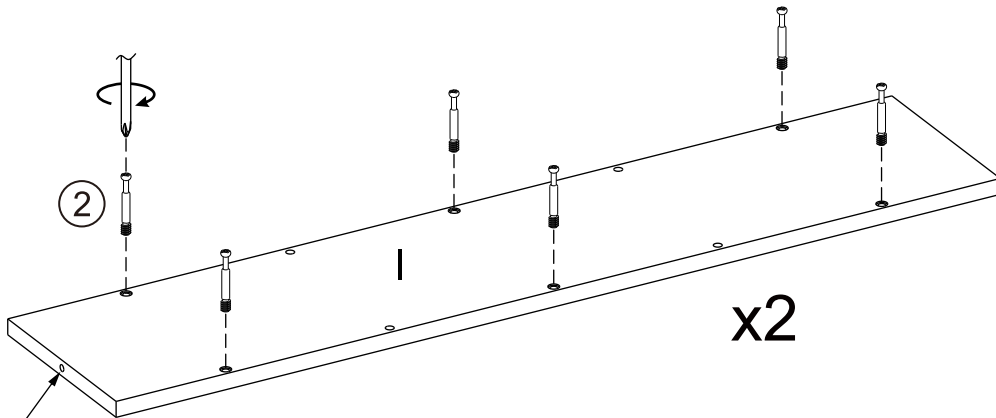
Electric Drill
(Not included)

ATTENTION

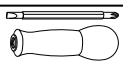
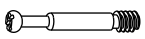
1. When you begin each step, please check carefully whether you have taken the correct parts, so as not to use the wrong parts and cause the wrong assembly.
2. We recommend that you do not rush to tighten the screws. It is best to tighten the screws to two-thirds first, after all the steps are finished and the position is well adjusted, then tighten



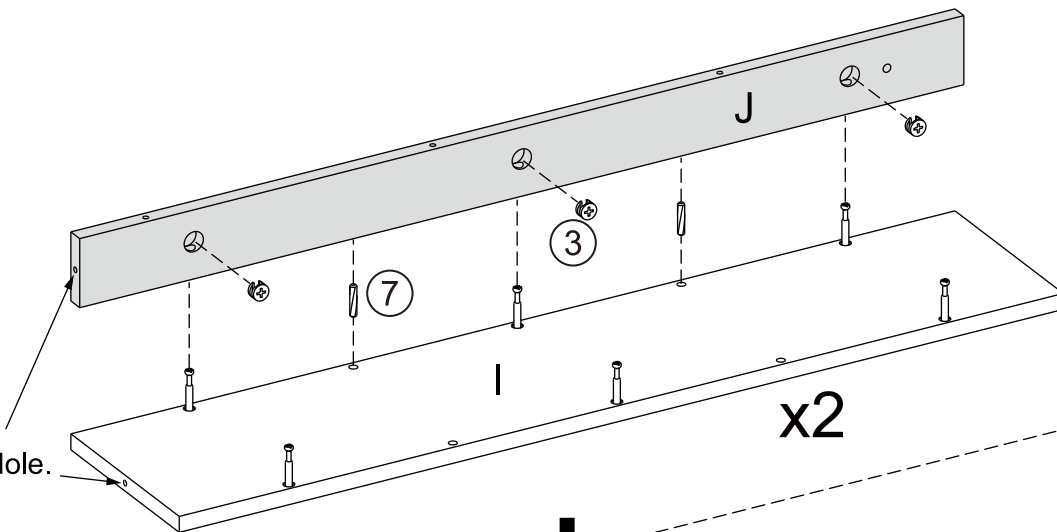
STEP 1



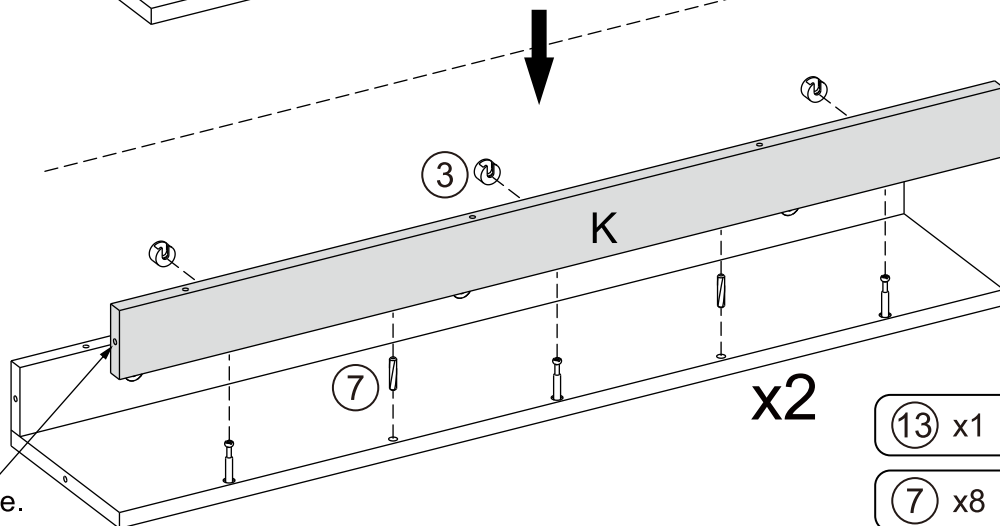
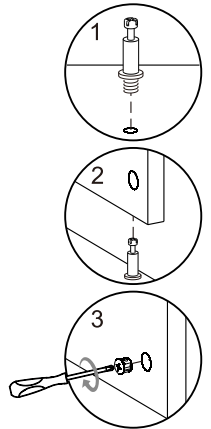
! NOTE: There is a hole in this location.

- (13) x1 
- (2) x12 


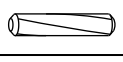

STEP 2



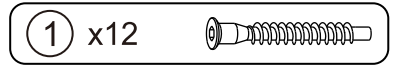
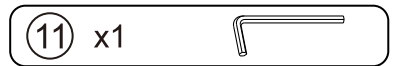
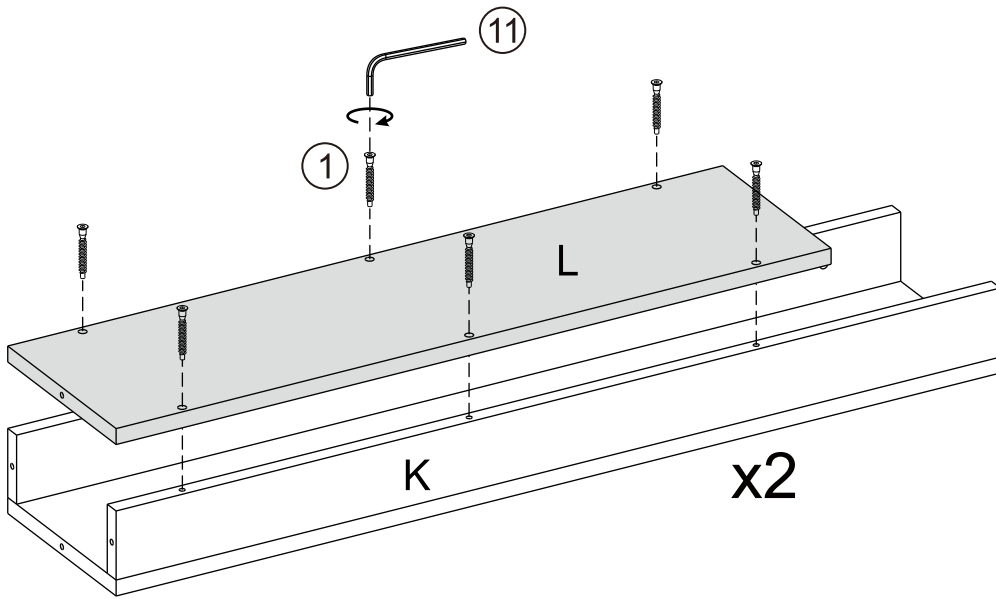
! NOTE: Hole.



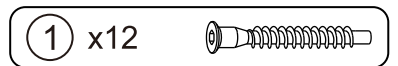
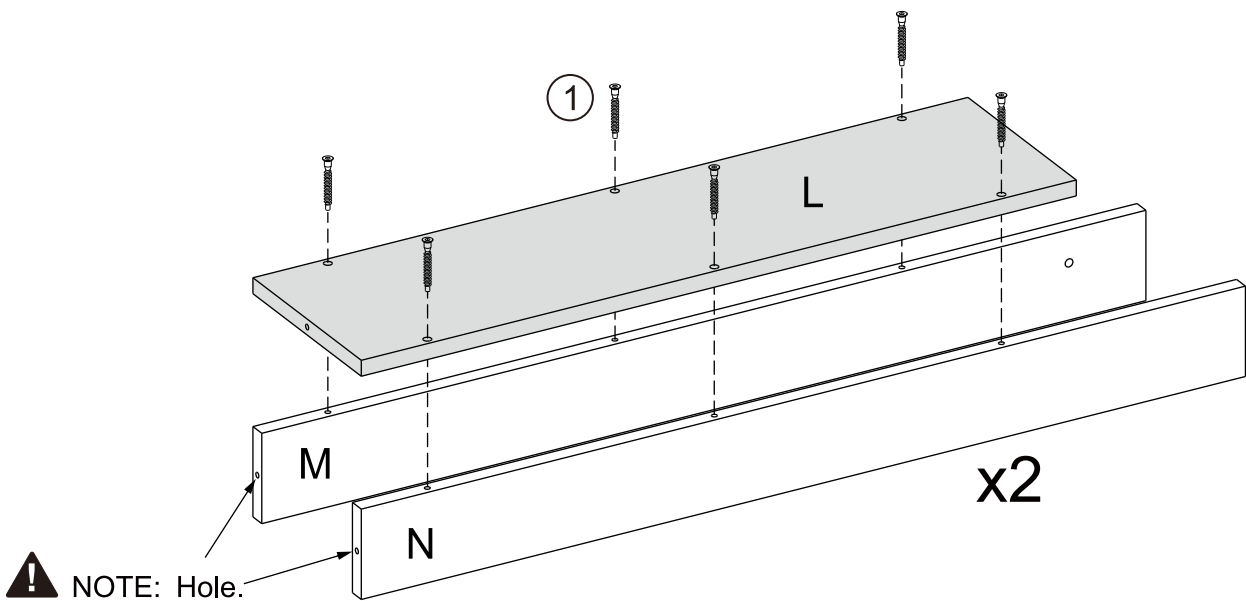
! NOTE: Hole.

- (13) x1 
- (7) x8 
- (3) x12 

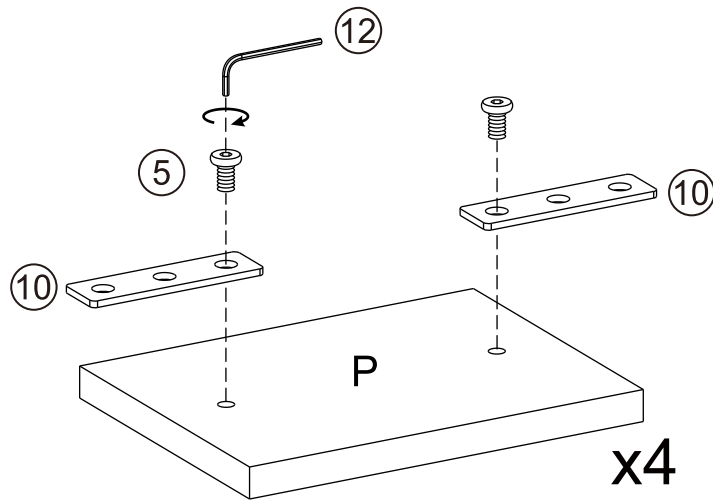
STEP 3



STEP 4

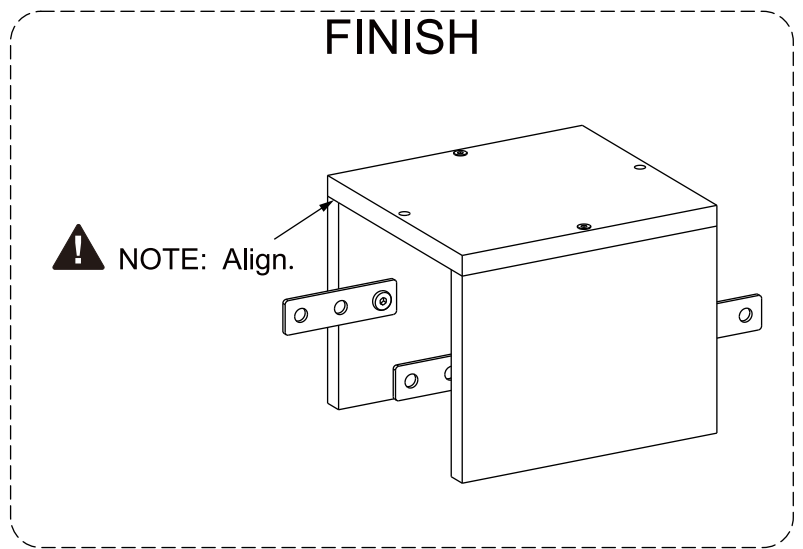
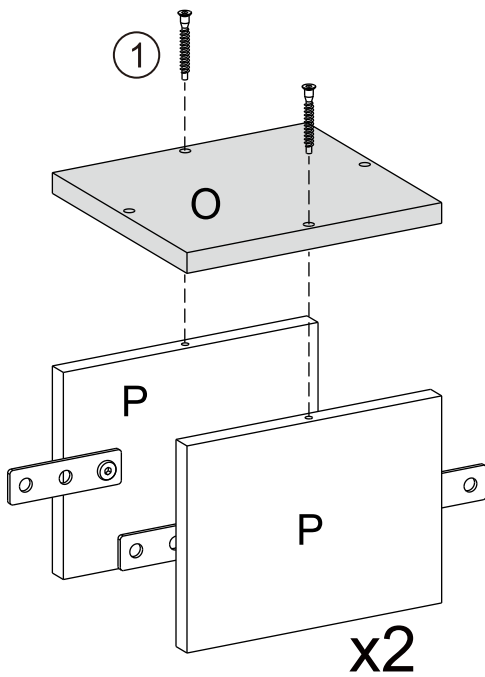


STEP 5



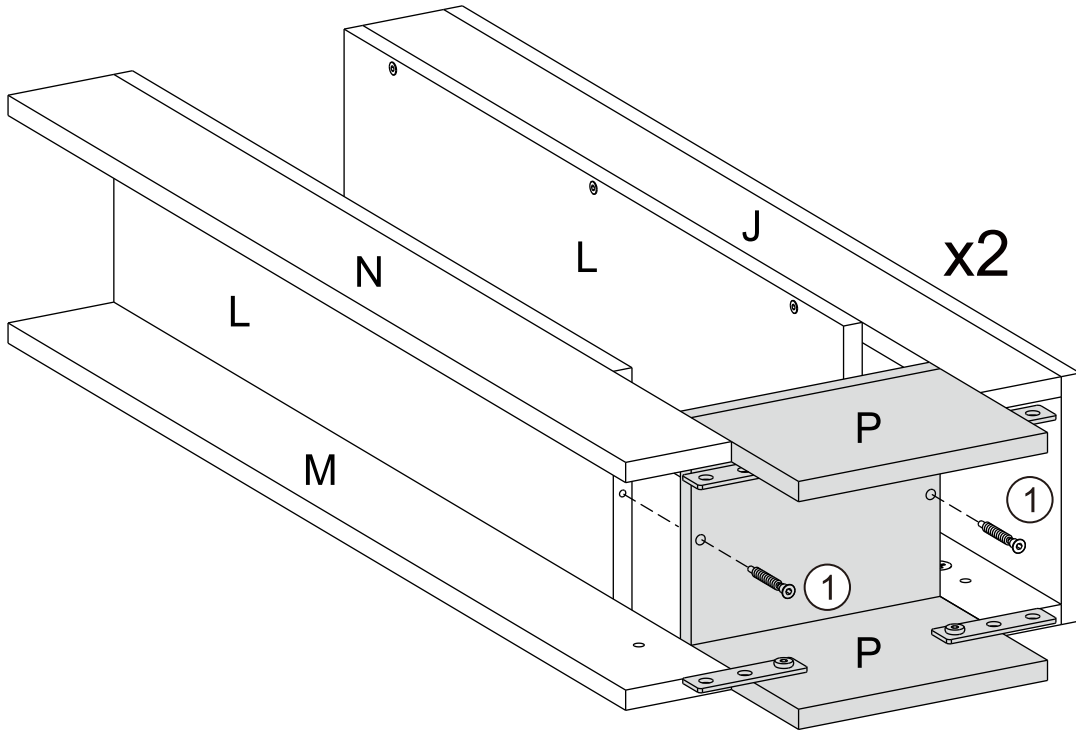
(12) x1	
(10) x8	
(5) x8	



STEP 6



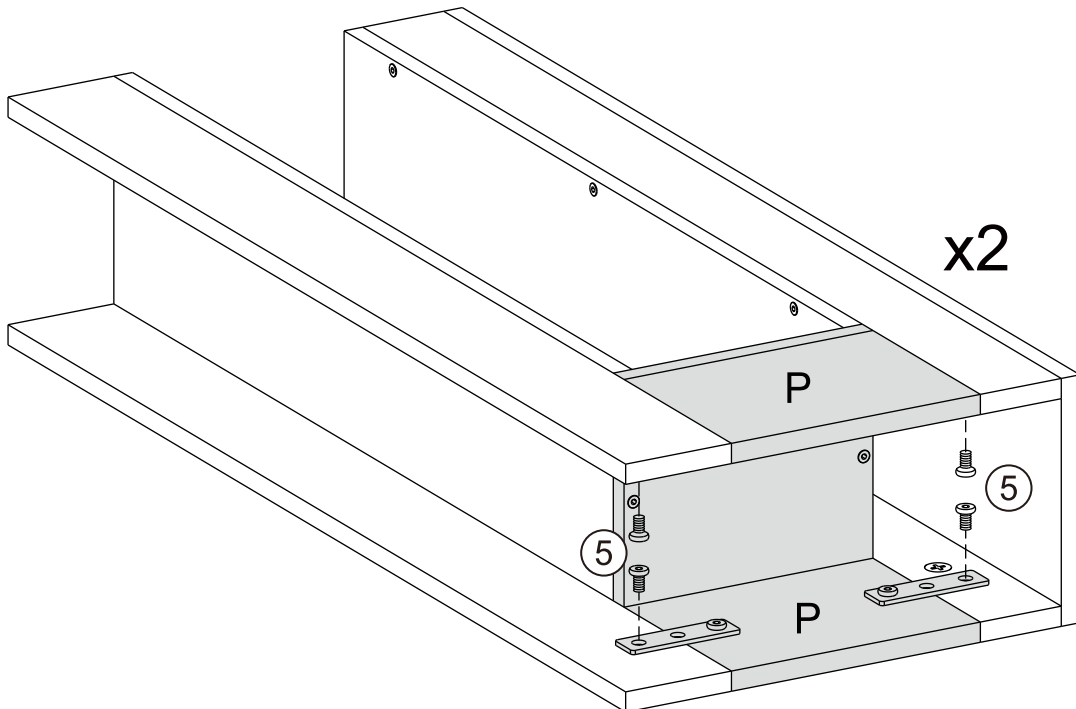
(11) x1	
(1) x4	


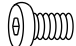
STEP 7



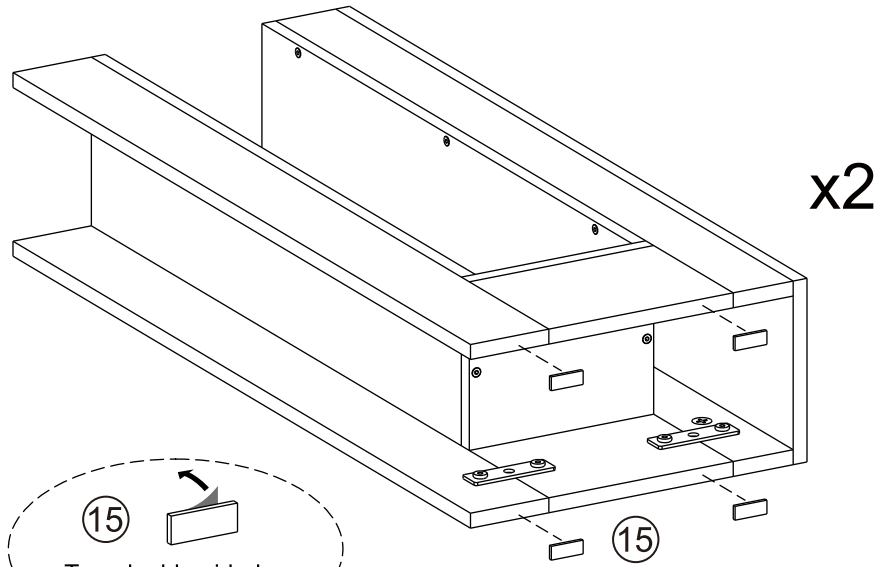
- (11) x1 
- (1) x4 

STEP 8



- (12) x1 
- (5) x8 

STEP 9

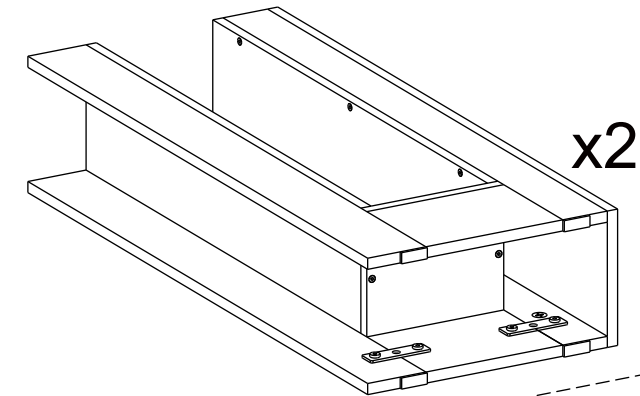


15
Tear double-sided
adhesive tape apart.

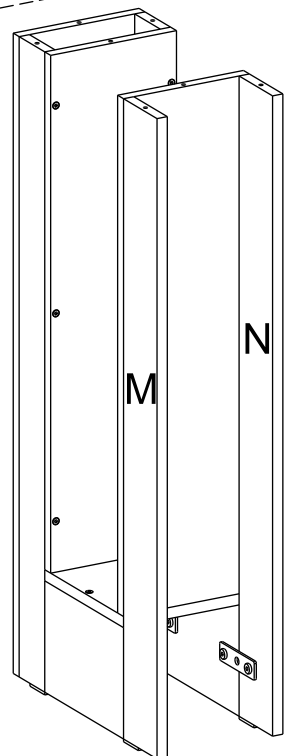
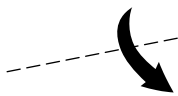
15 x8



STEP 10

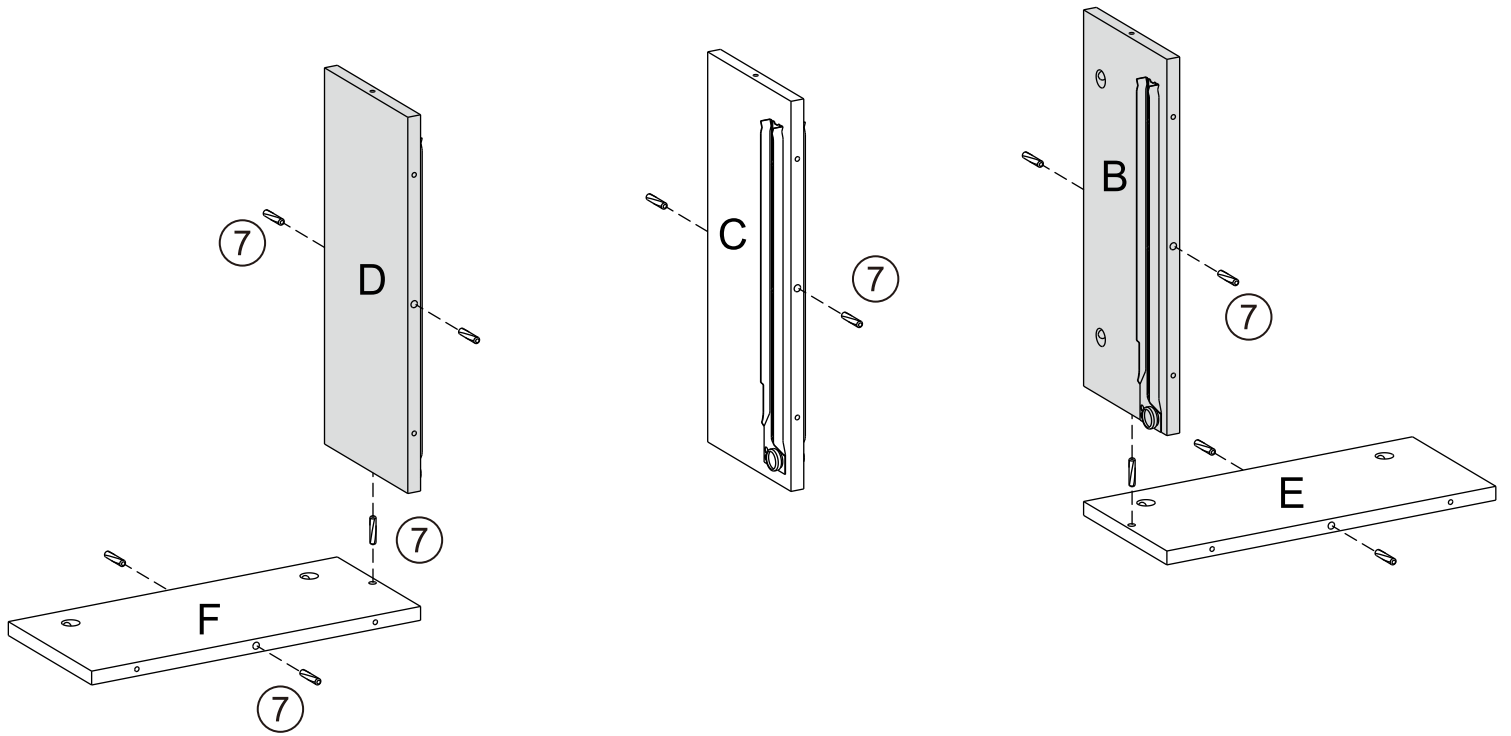


x2



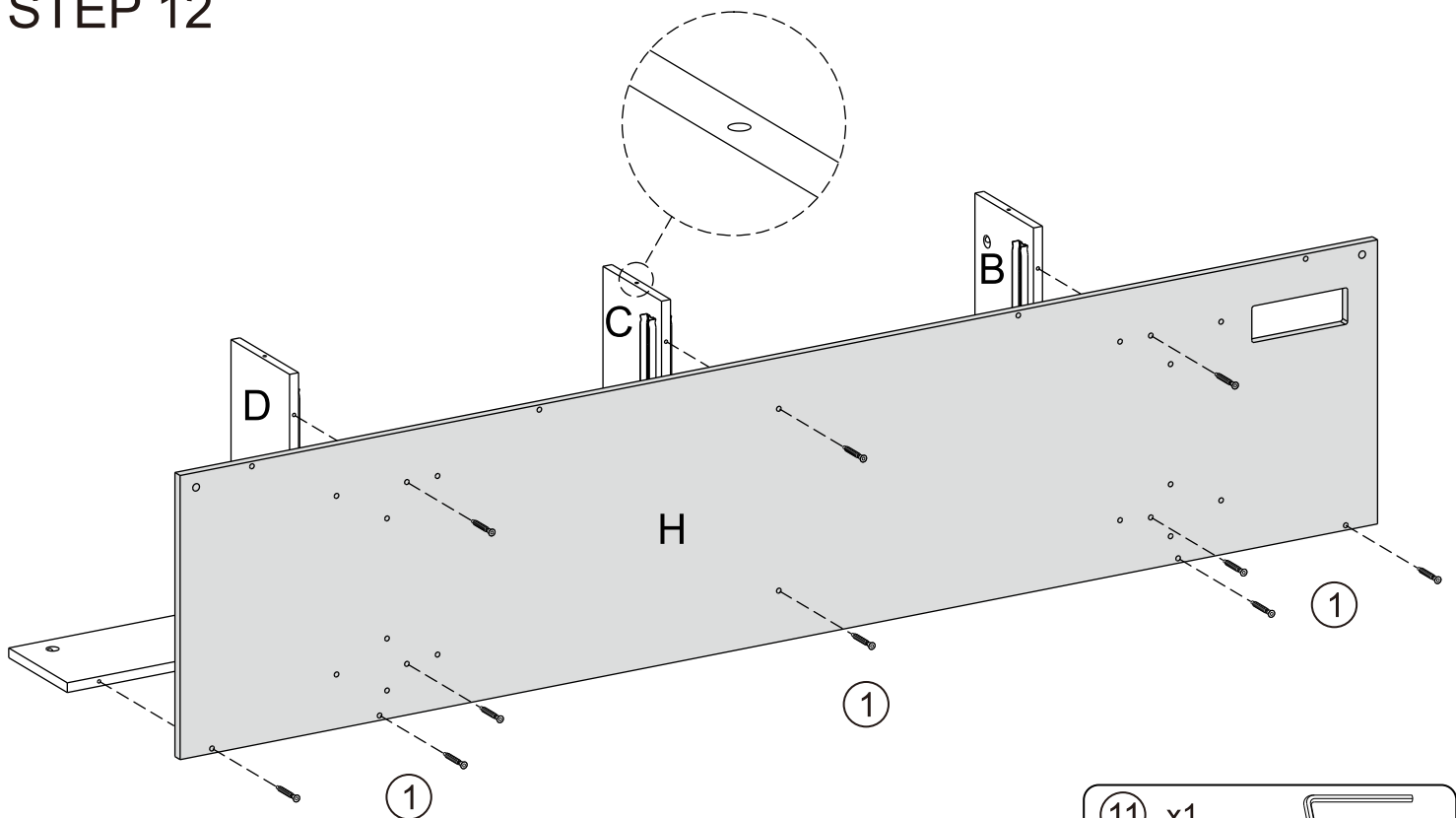
x2

STEP 11



(7) x12

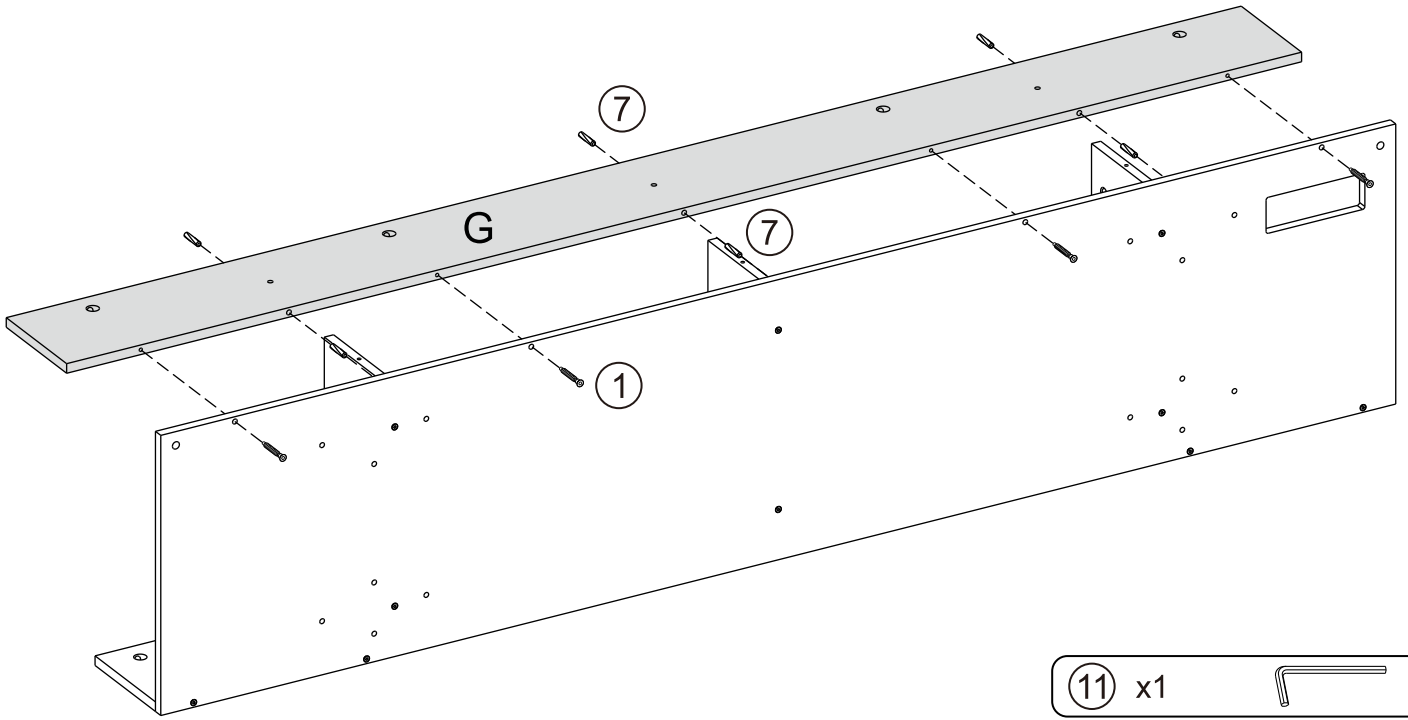
STEP 12


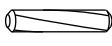



(11) x1

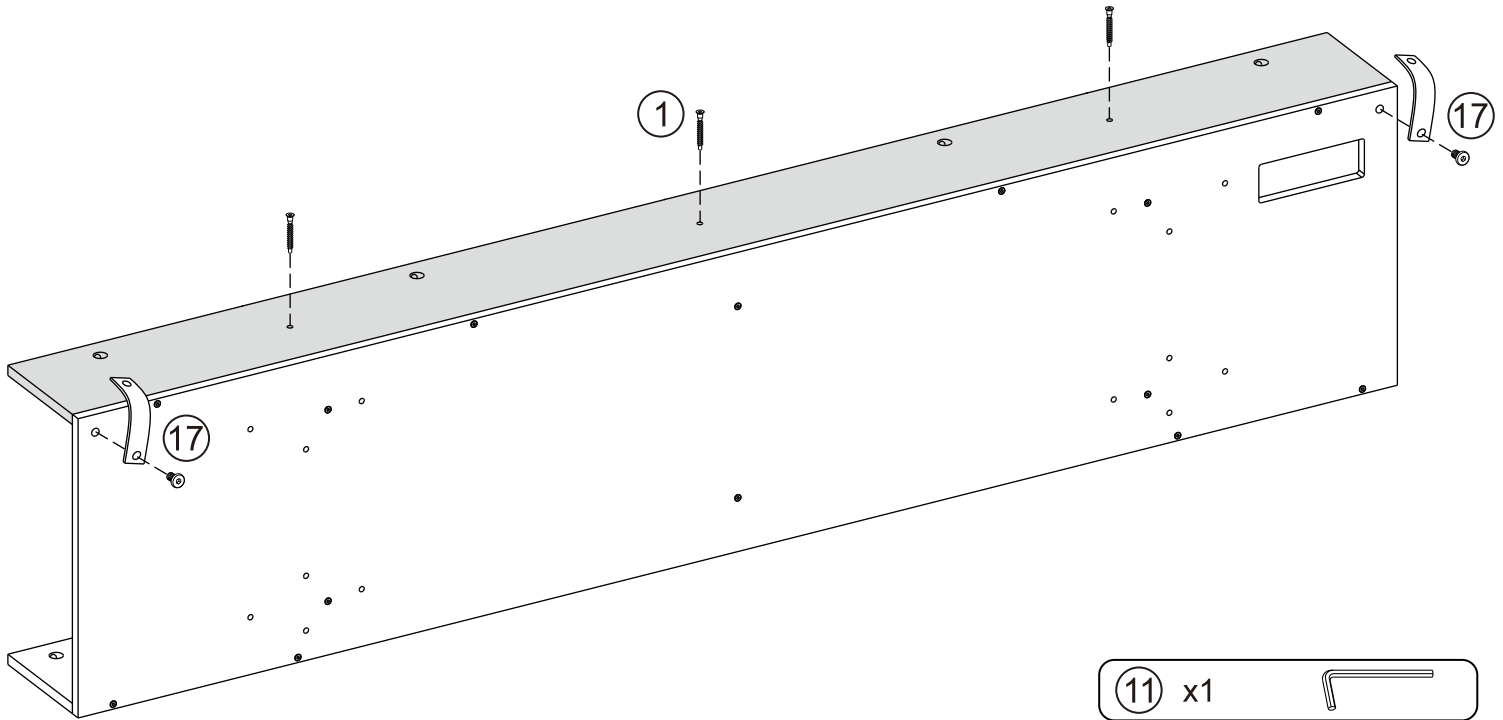
(1) x10


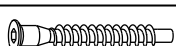

STEP 13



- (11) x1 
- (7) x6 
- (1) x4 

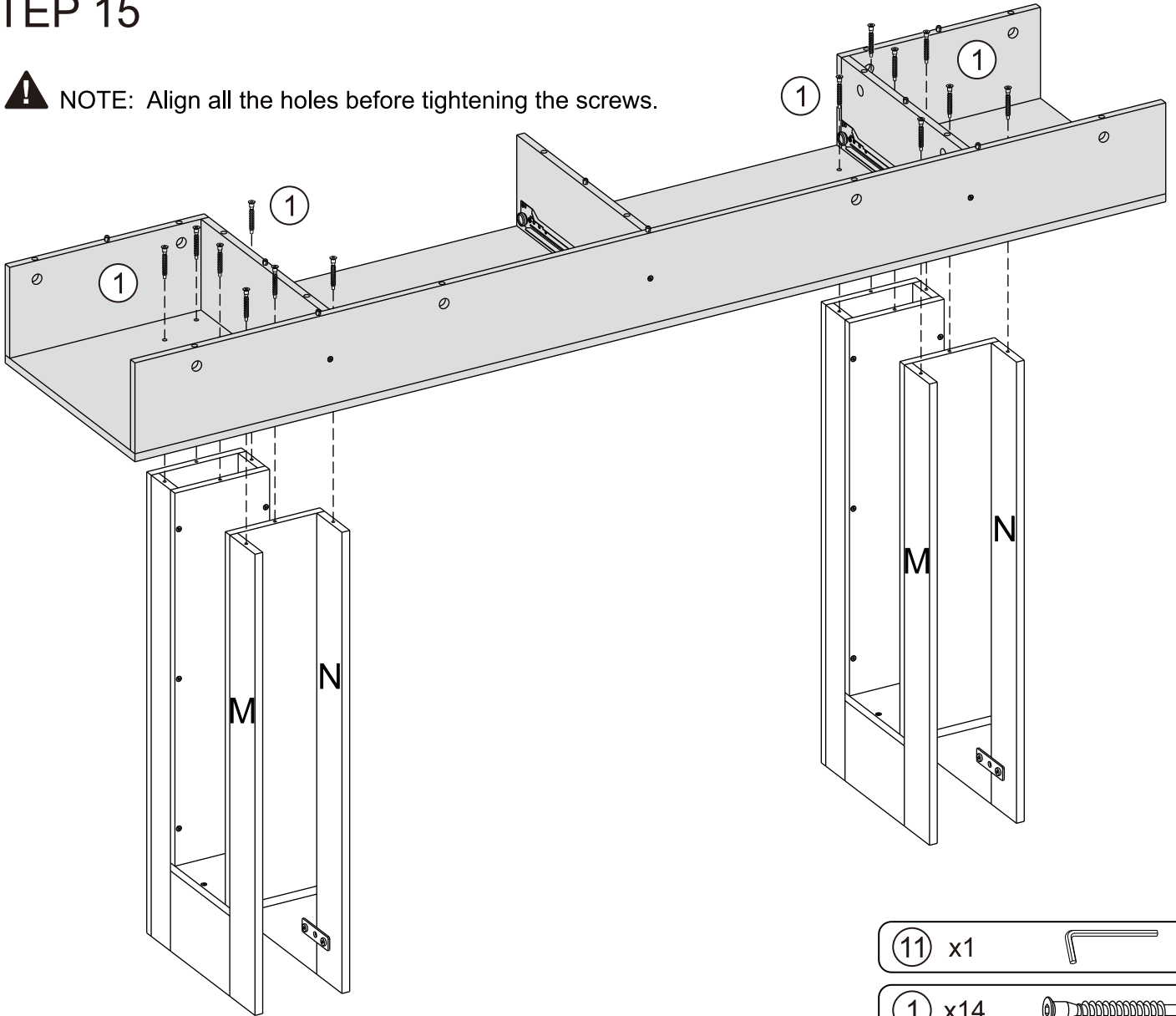
STEP 14





- (11) x1 
- (1) x3 
- (17) x2 

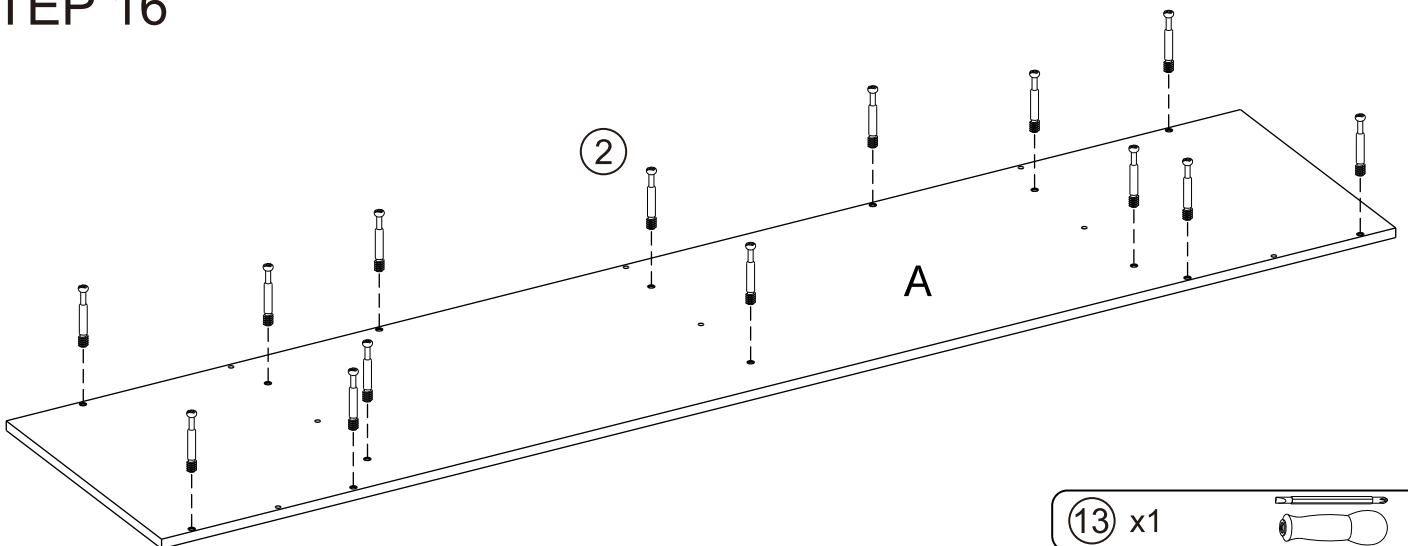
STEP 15


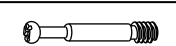
! NOTE: Align all the holes before tightening the screws.



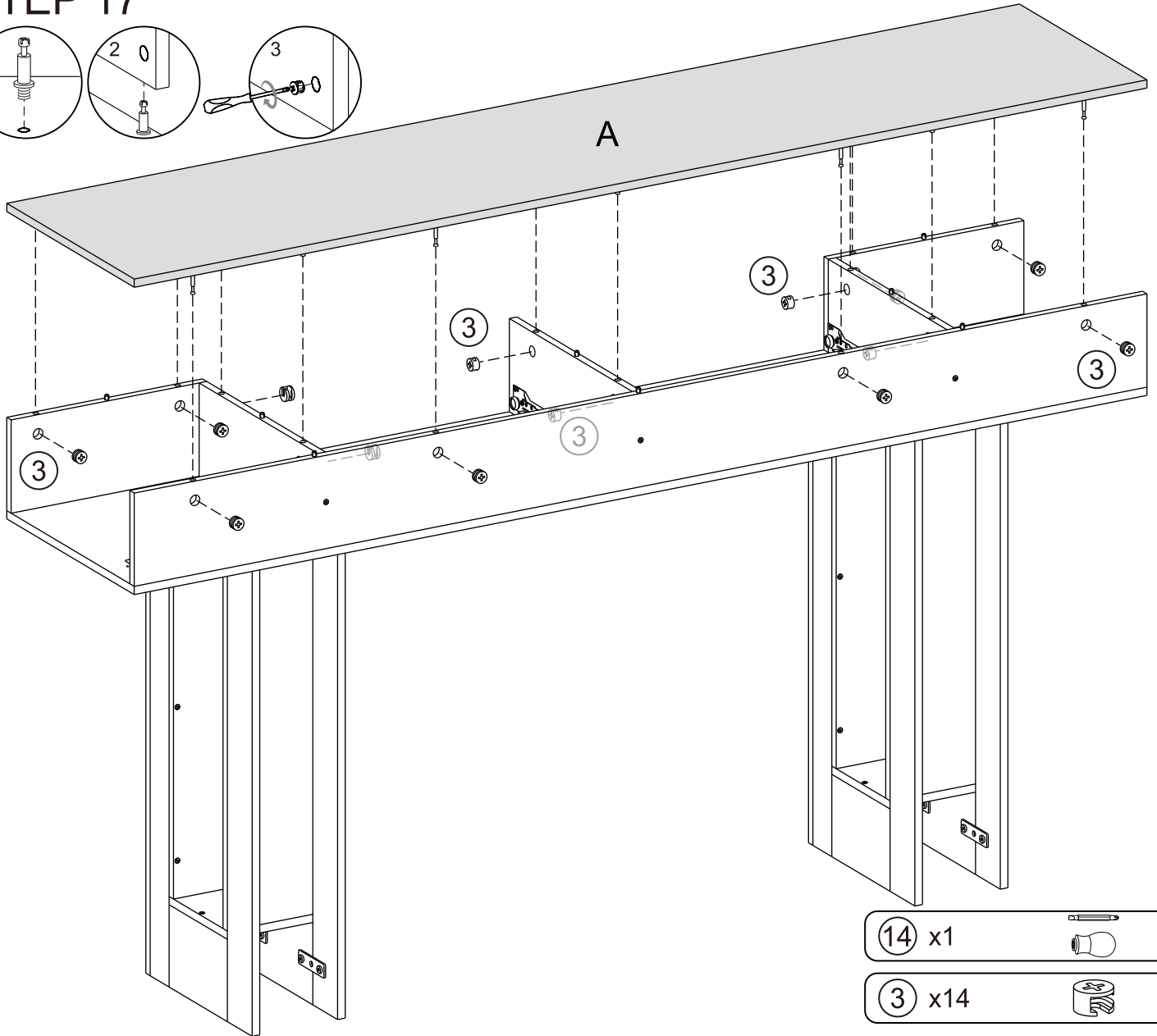
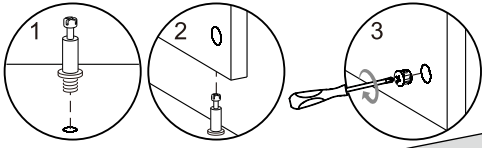
- (11) x1 
- (1) x14 



STEP 16



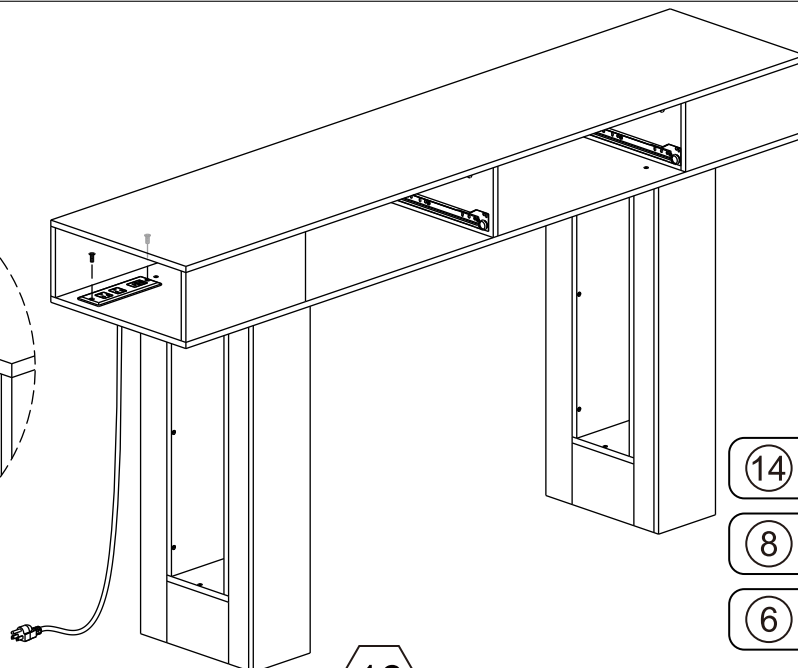
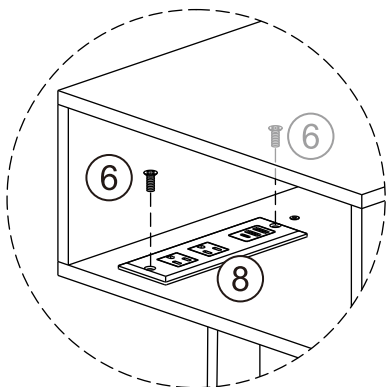
- (13) x1 
- (2) x14 

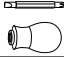


STEP 17



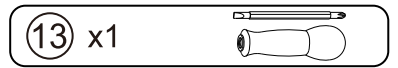
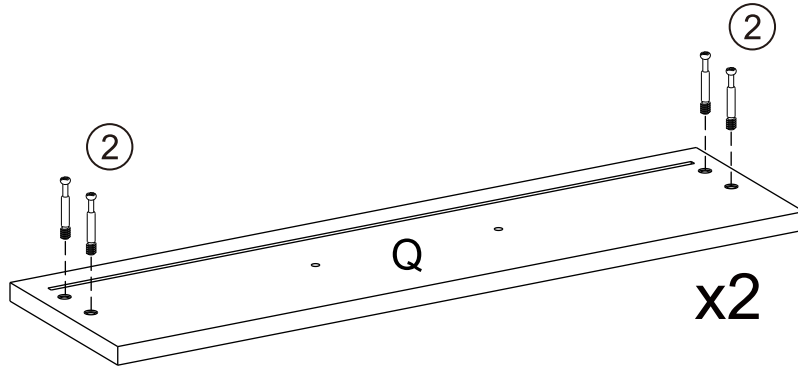
- (14) x1 
- (3) x14 

STEP 18

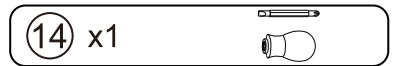
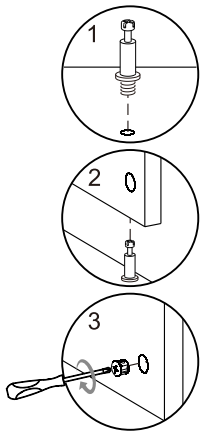
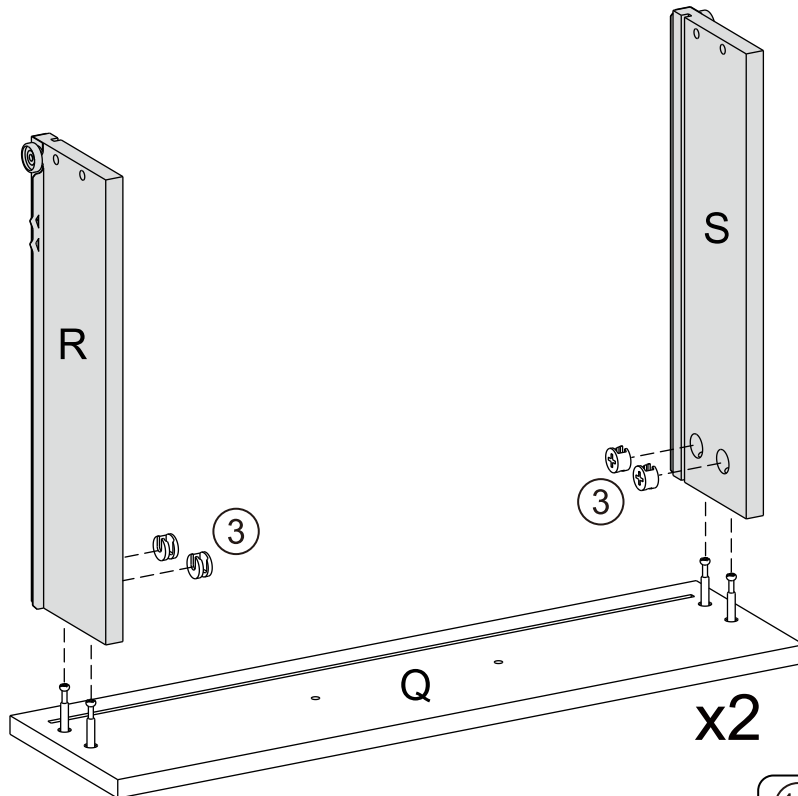


- (14) x1 
- (8) x1 
- (6) x2 

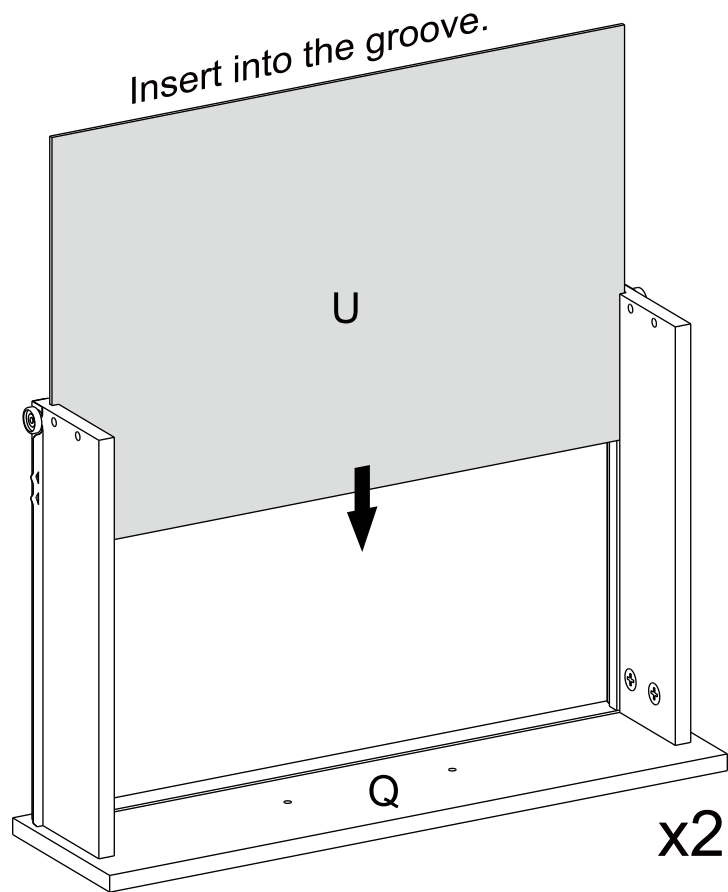
STEP 19



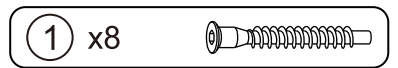
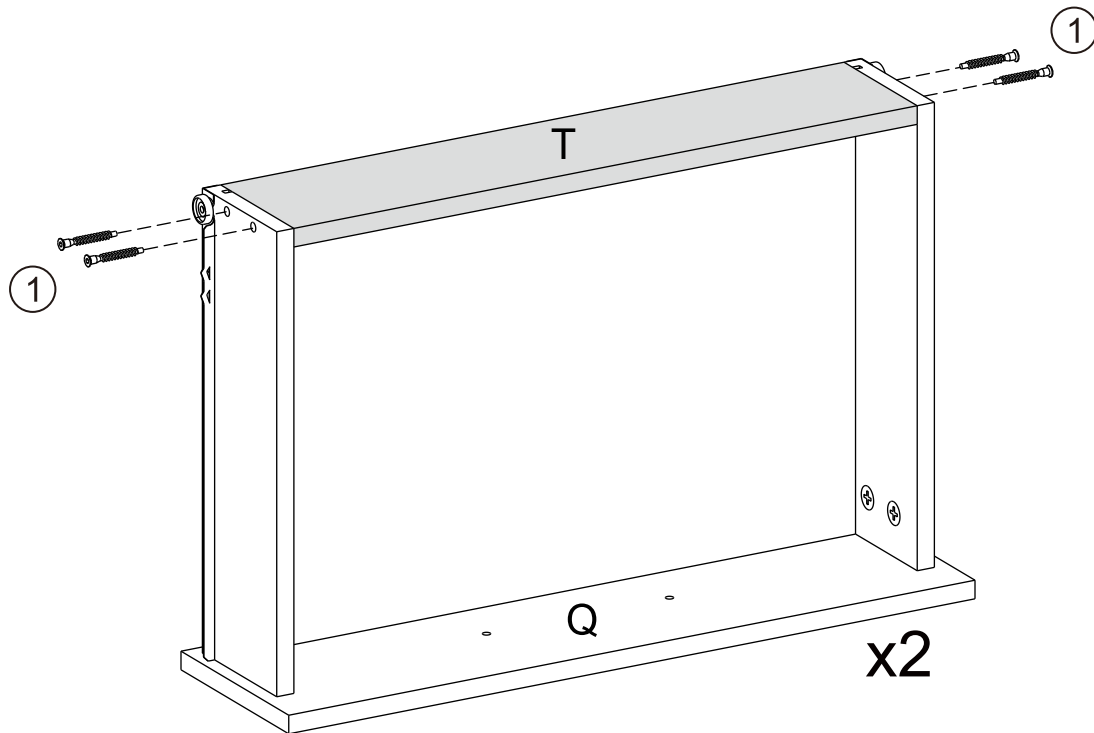
STEP 20



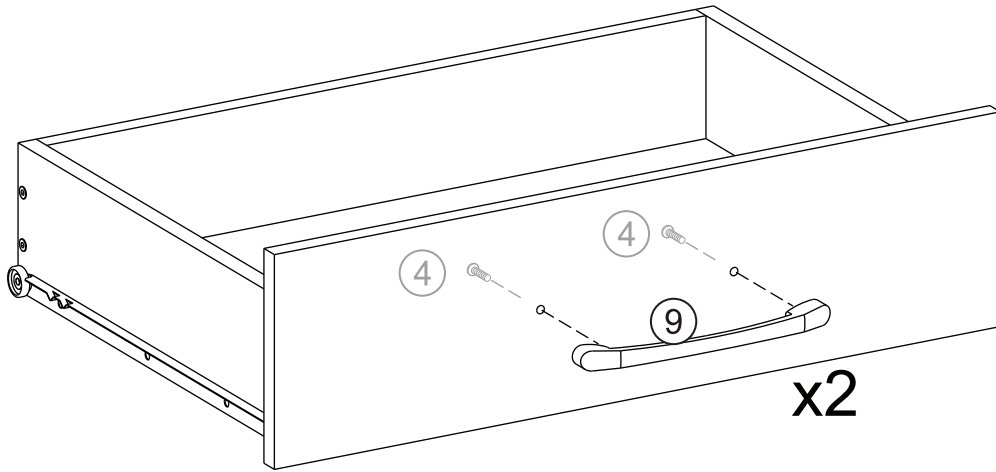
STEP 21

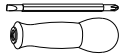




STEP 22

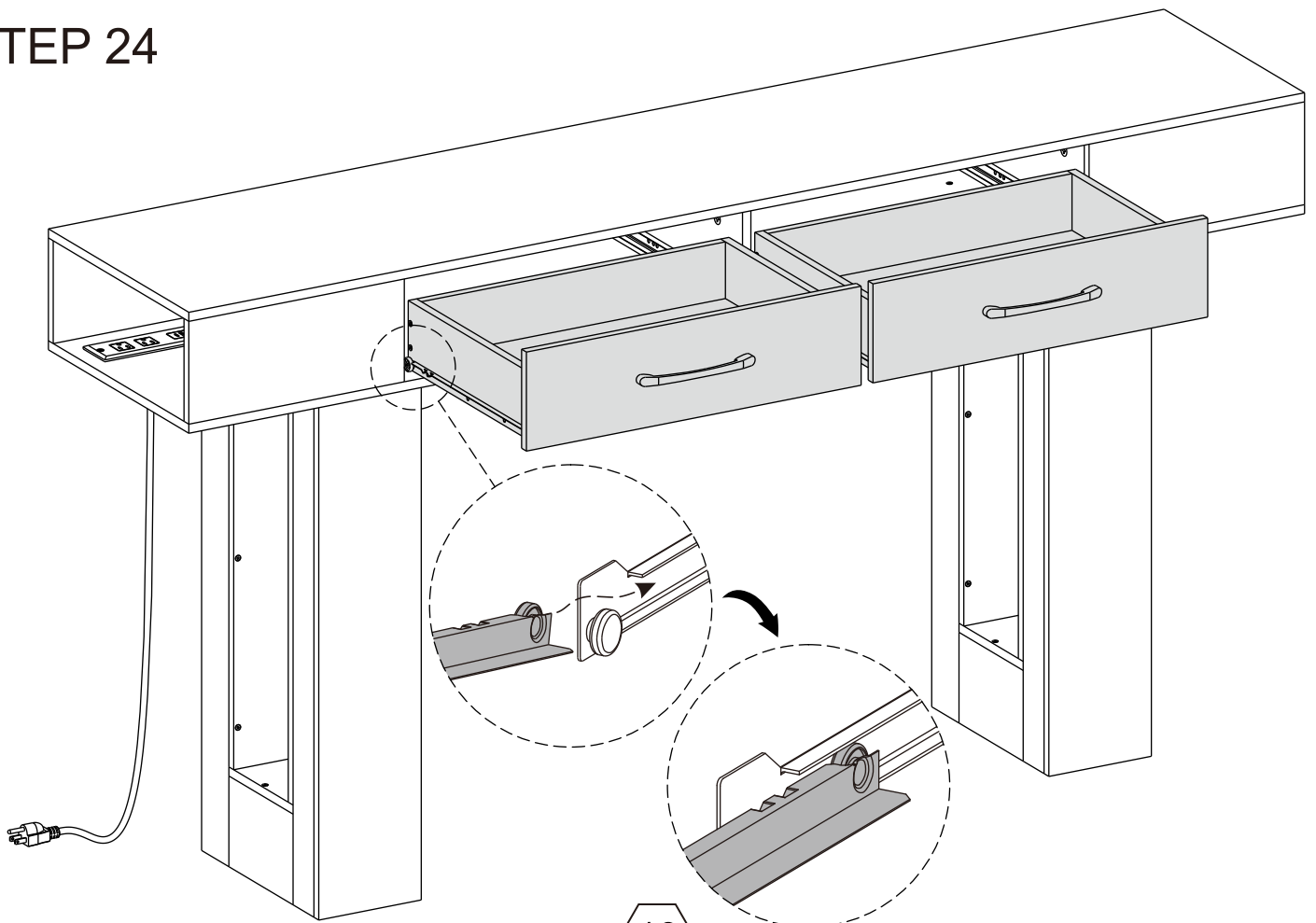


STEP 23

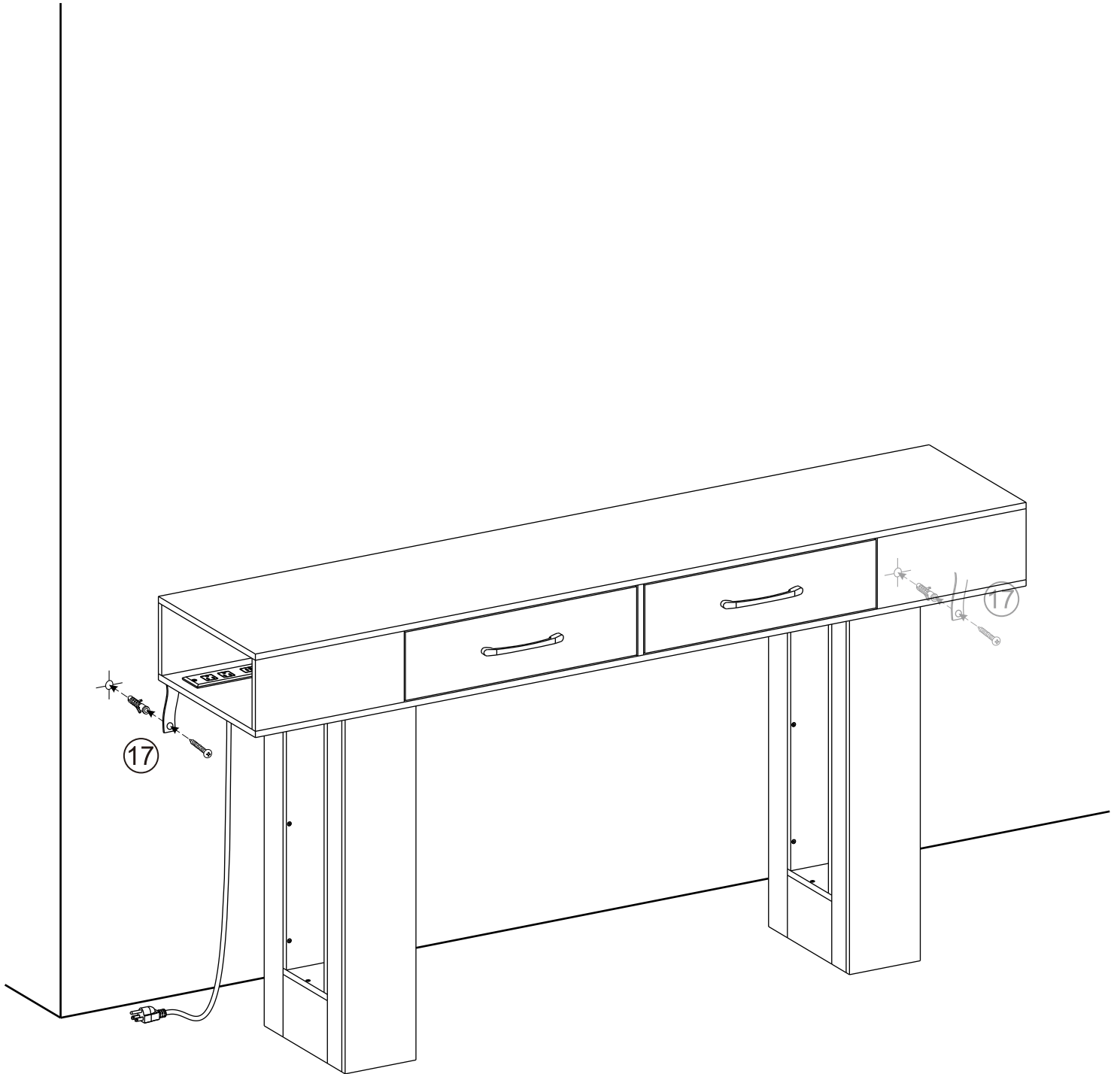


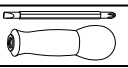

- (13) x1 
- (9) x2 
- (4) x4 

STEP 24



STEP 25



- (13) x1 
- (17) x2 

Congratulation:

Congratulations to you on completing the assembly of the product through your own efforts, you have done a great job.

The assembly of this product may have been difficult, but you still had the patience and perseverance to get it done.

Notes:

1. If there are any defective or missing parts after unpacking, please stop assembly and immediately contact us.
2. The product is designed for indoor use only and must be assembled and used according to the provided manual. Modifying or altering the product from its original design may result in personal injury or damage to the product.

Product Maintenance:

1. Please place this item on the level solid ground.
2. Please do not stand or sit on the wooden boards.
3. Avoid long-term exposure to humid environments to prevent mildew.
4. Keep the product away from high temperature environments or fire sources.
5. If accidentally spill water or another liquid on the surface, immediately wipe with a dry towel.
6. Regularly inspect the tightness of screws while using the product. If necessary, re-tighten to ensure structural stability.