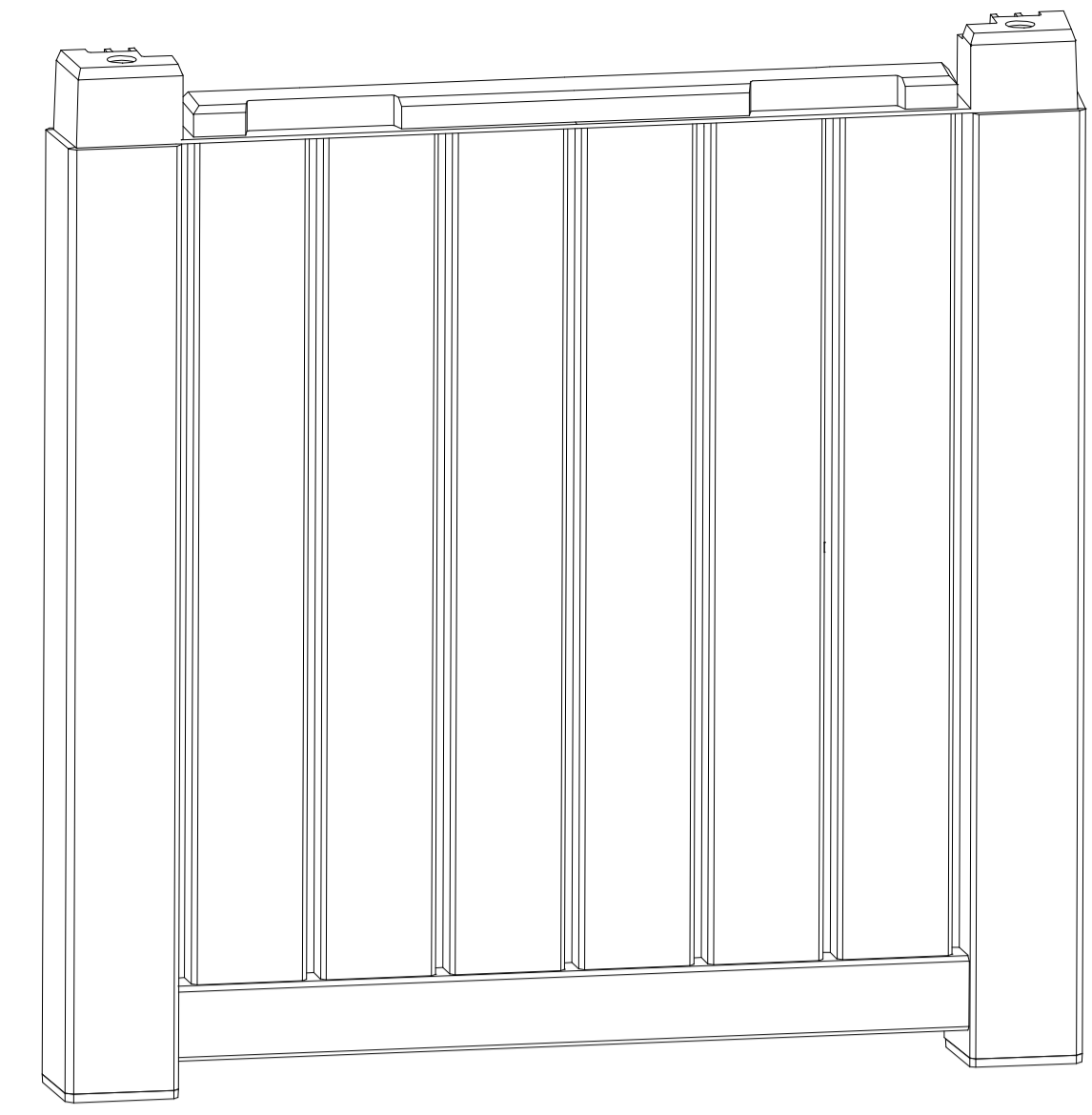
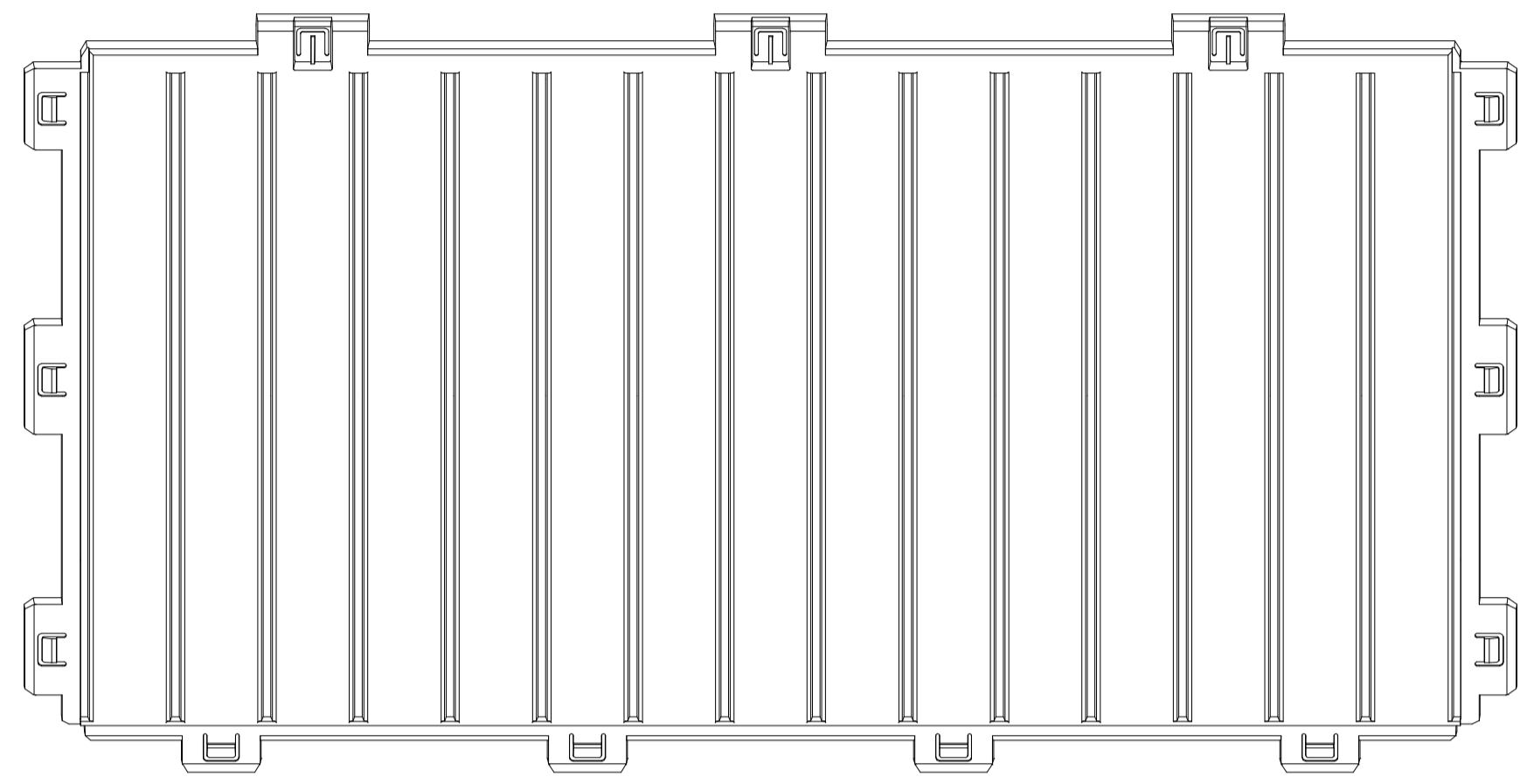


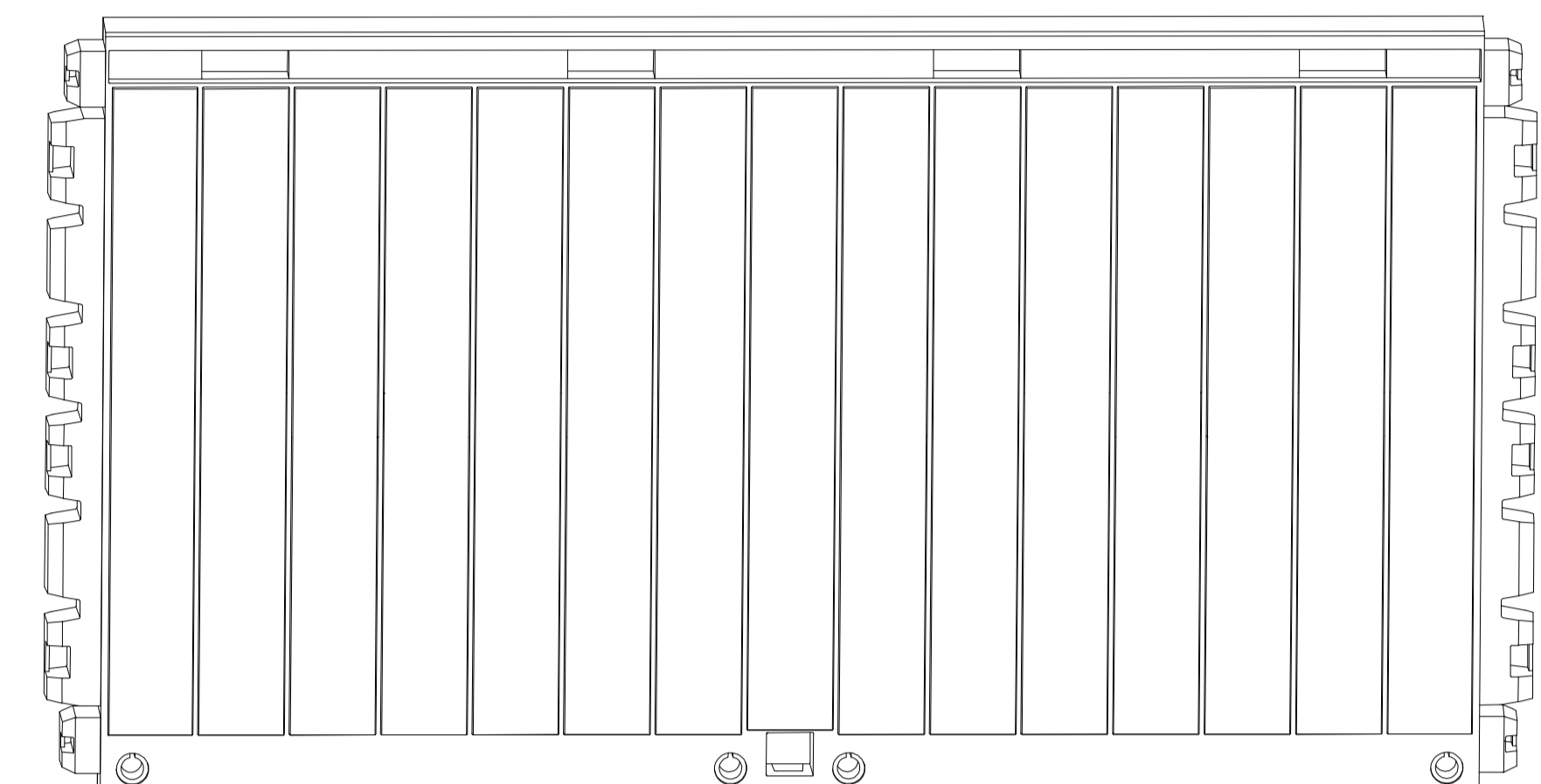
A(X2)



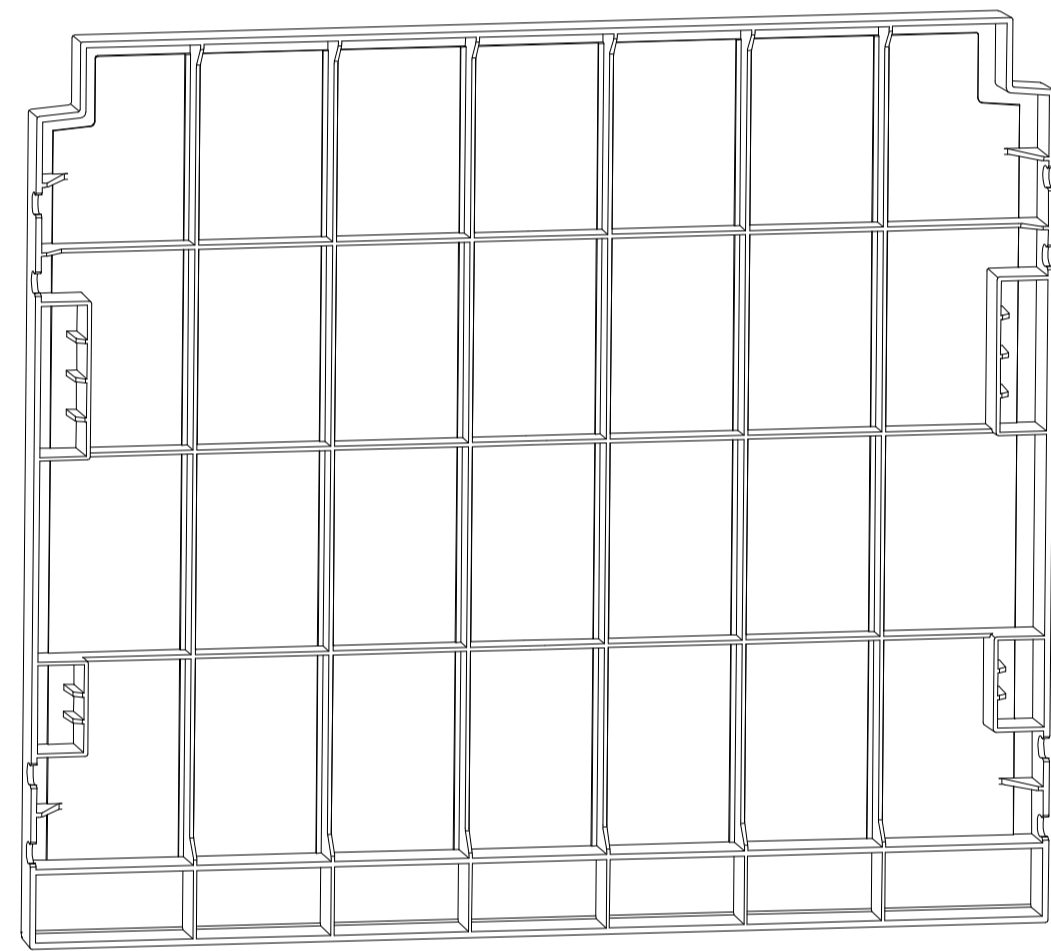
B(X2)



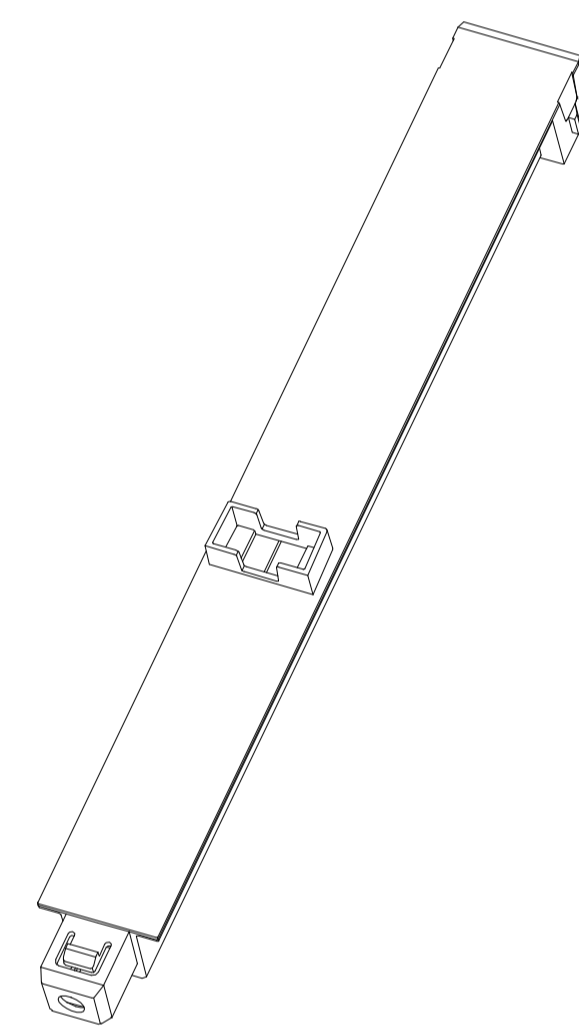
C(X1)



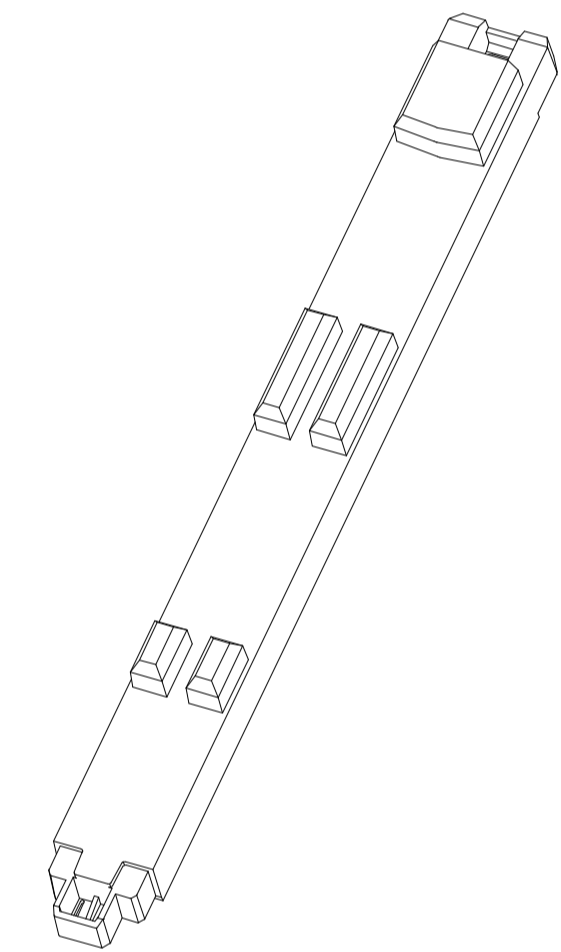
D(X1)



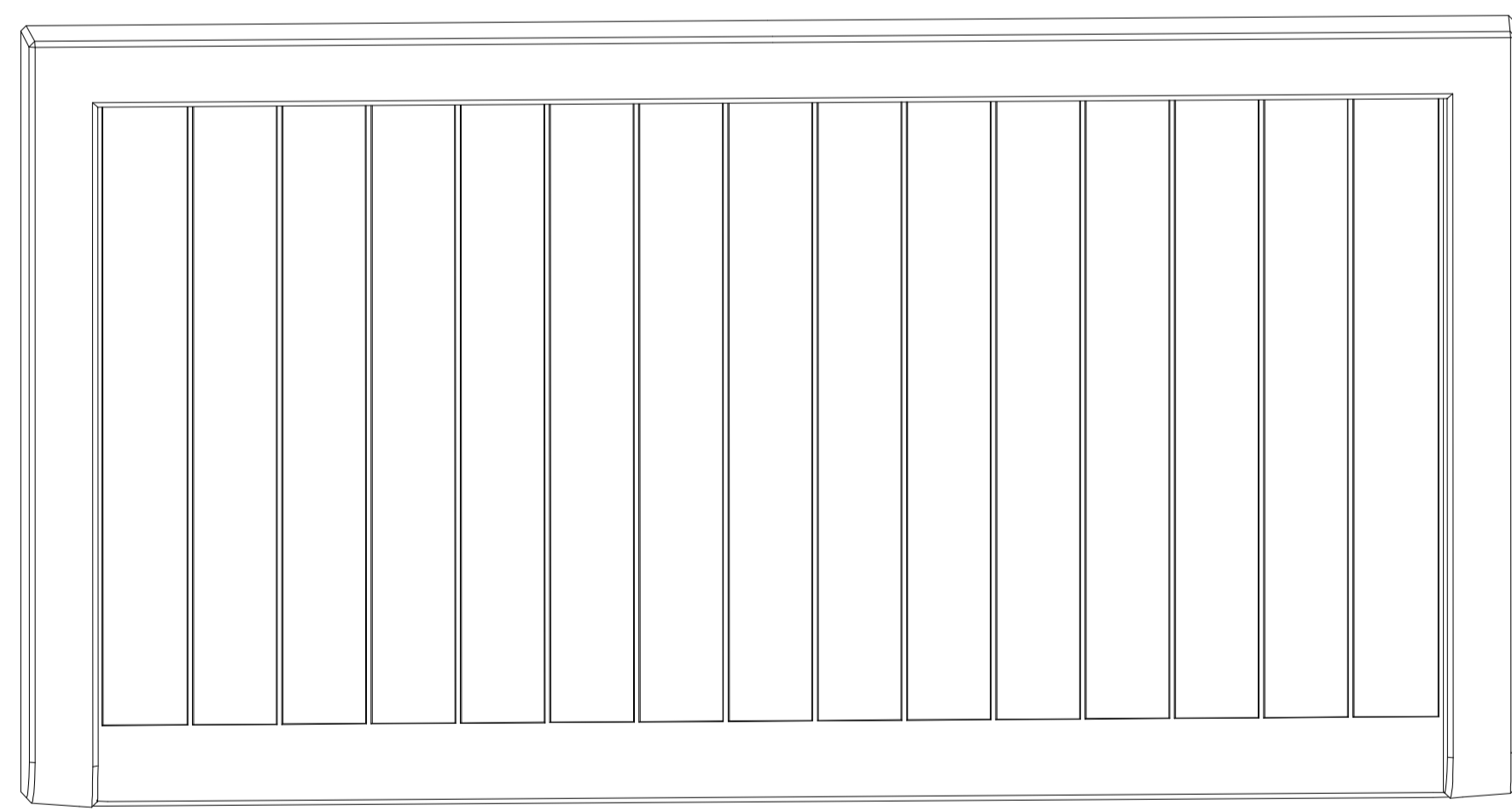
F(X2)



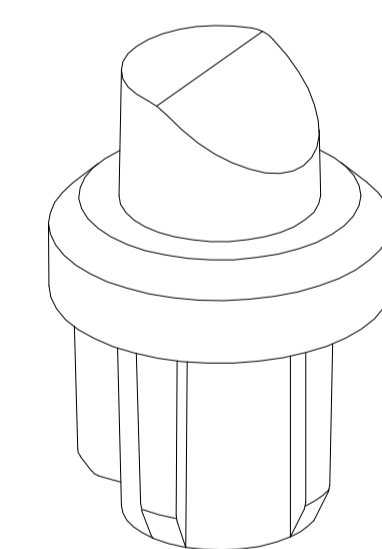
G(X1)



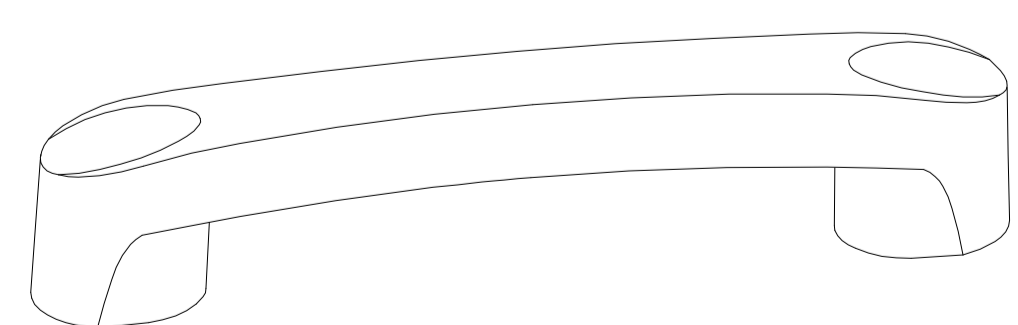
H(X1)



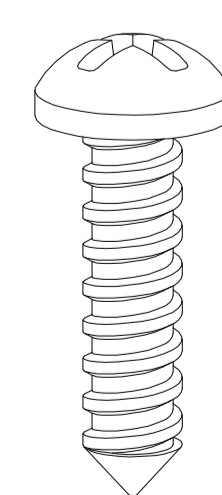
J(X1)



(X4)



(X2)

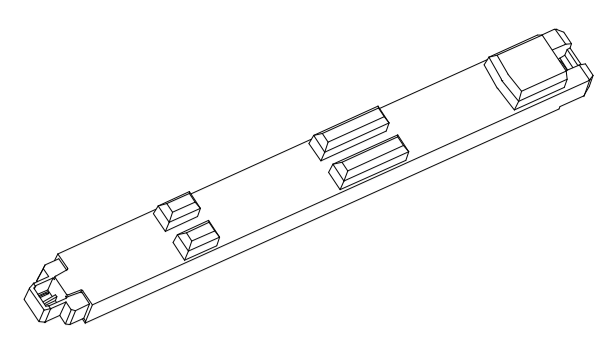


M4x19mm

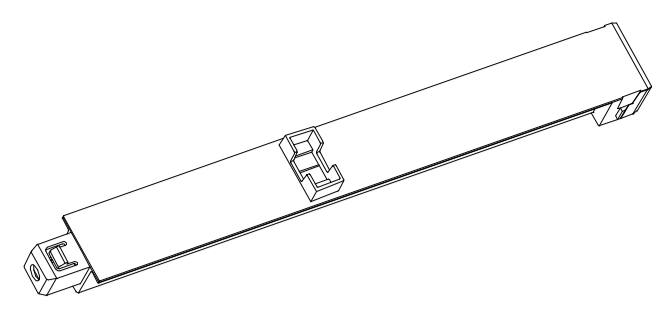
(X4)

Please note: After assembly, it cannot be disassembled. Please confirm that the goods are satisfactory before assembling. After assembly, it cannot be returned

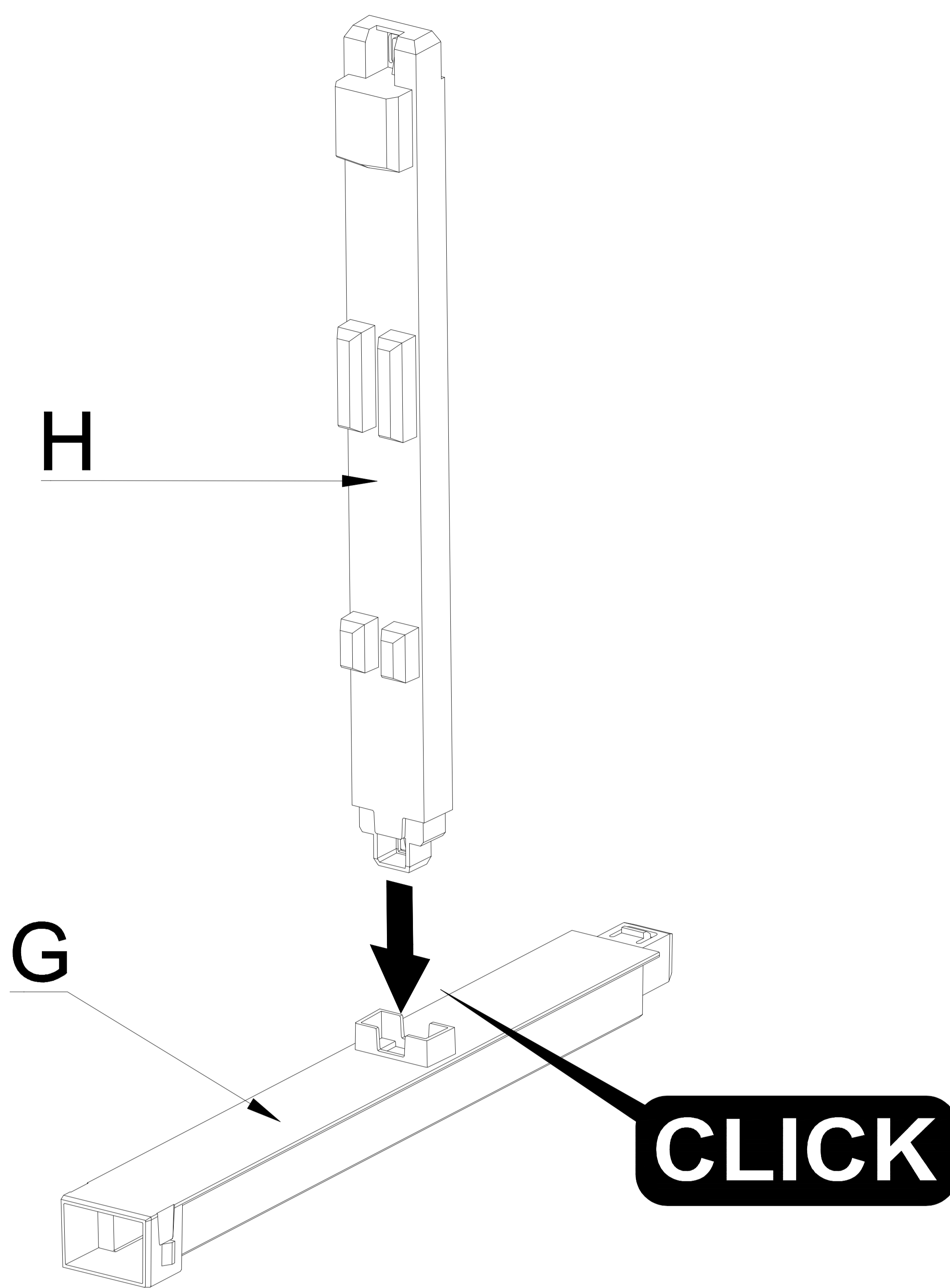
1



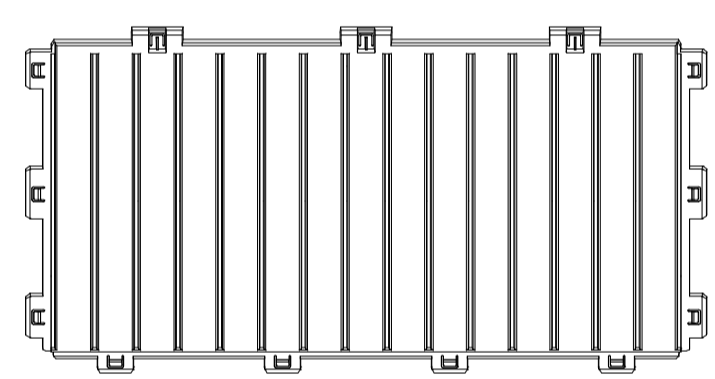
H(X1)



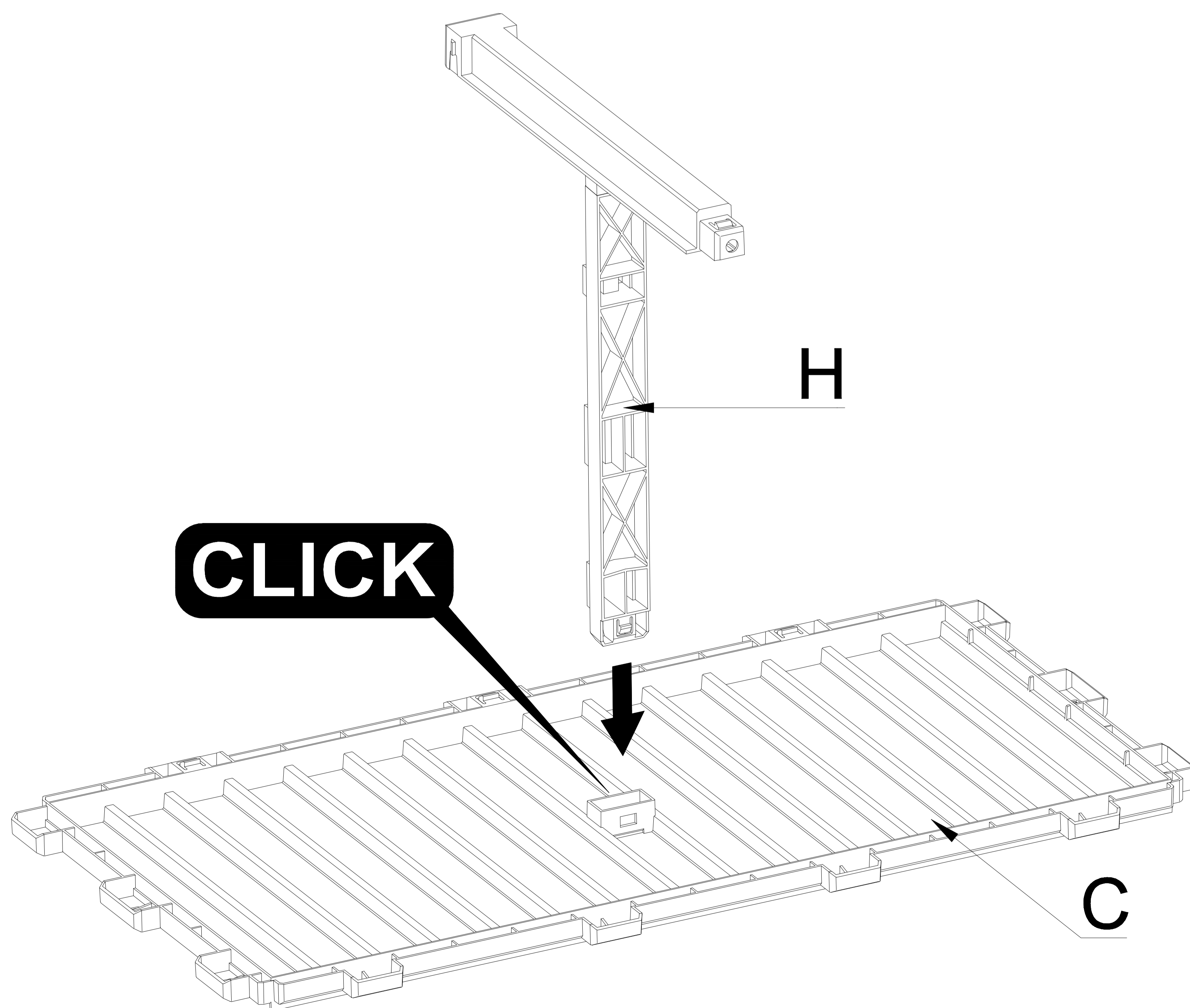
G(X1)



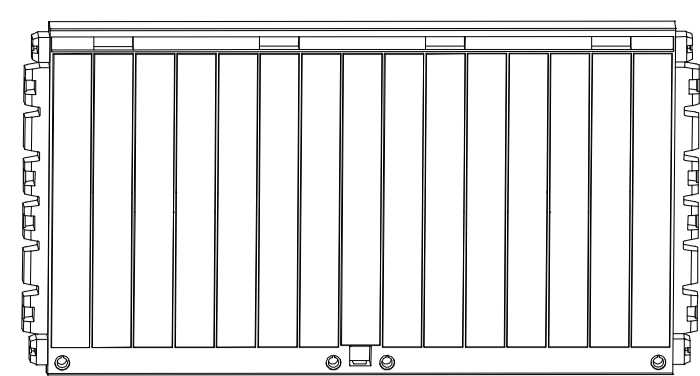
2



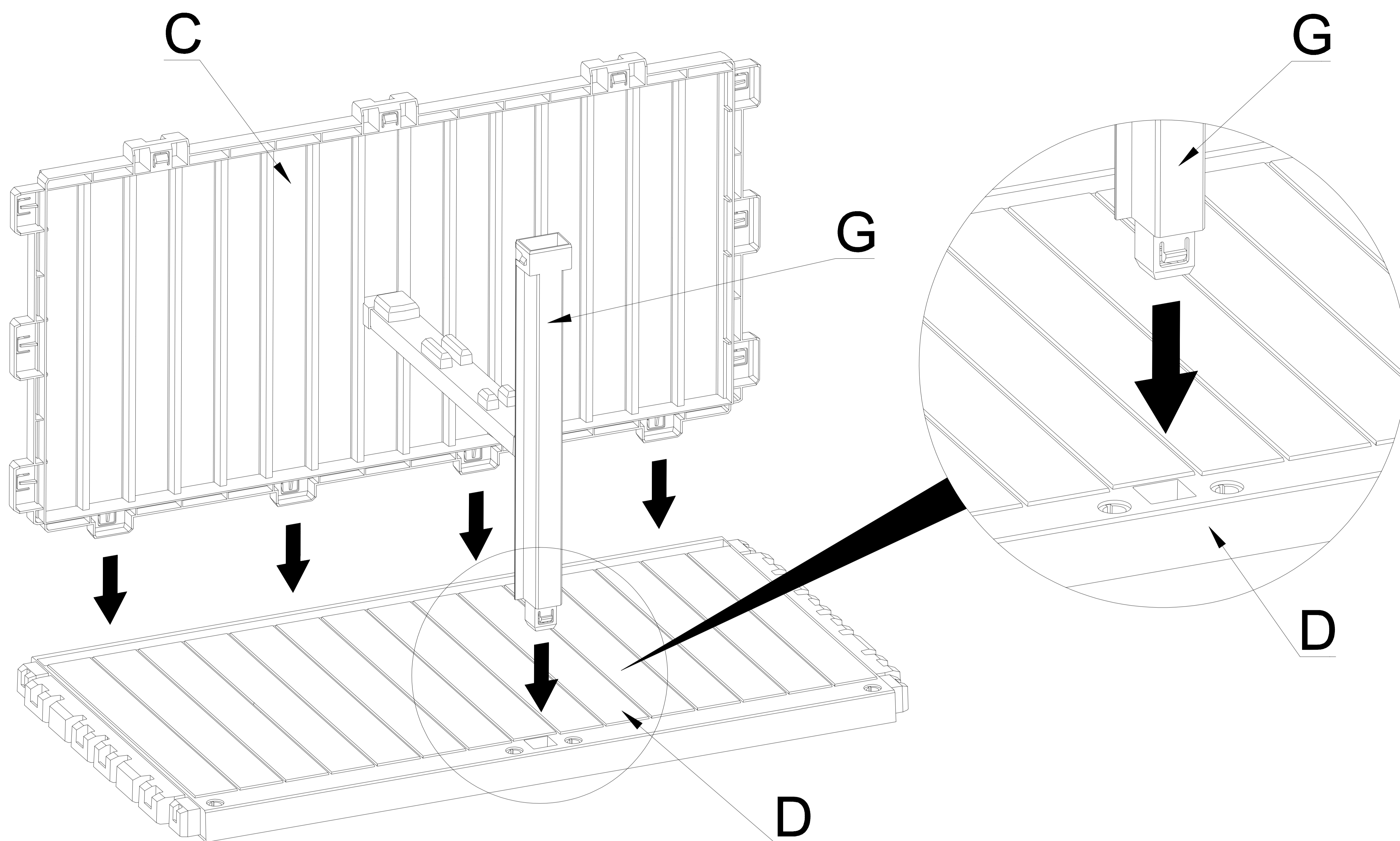
C(X1)



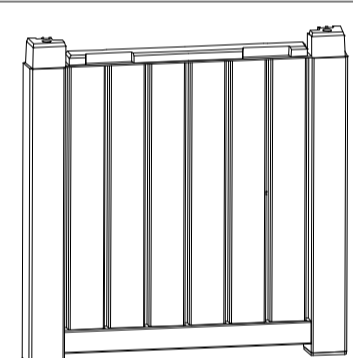
3



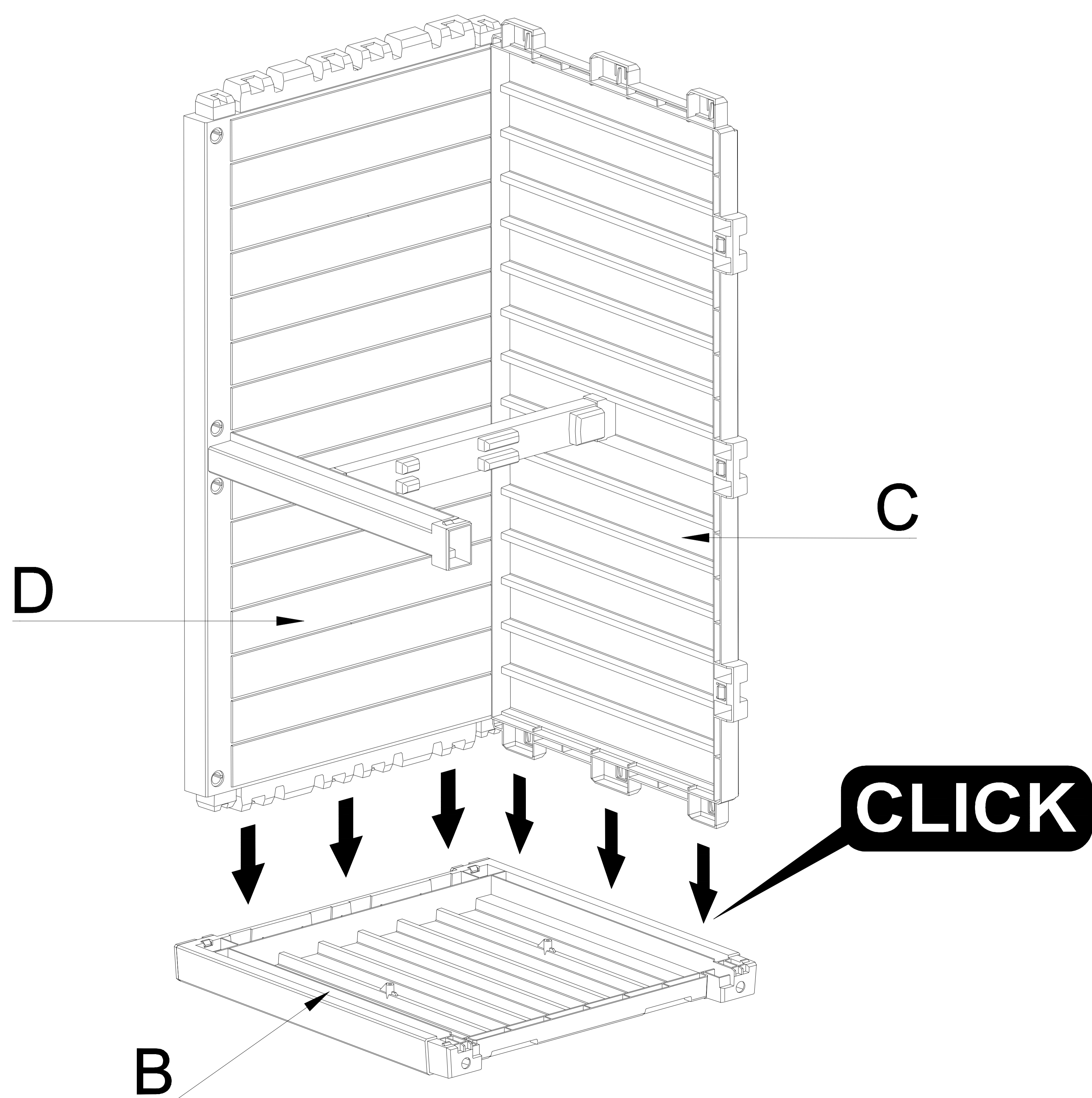
D(X1)



4



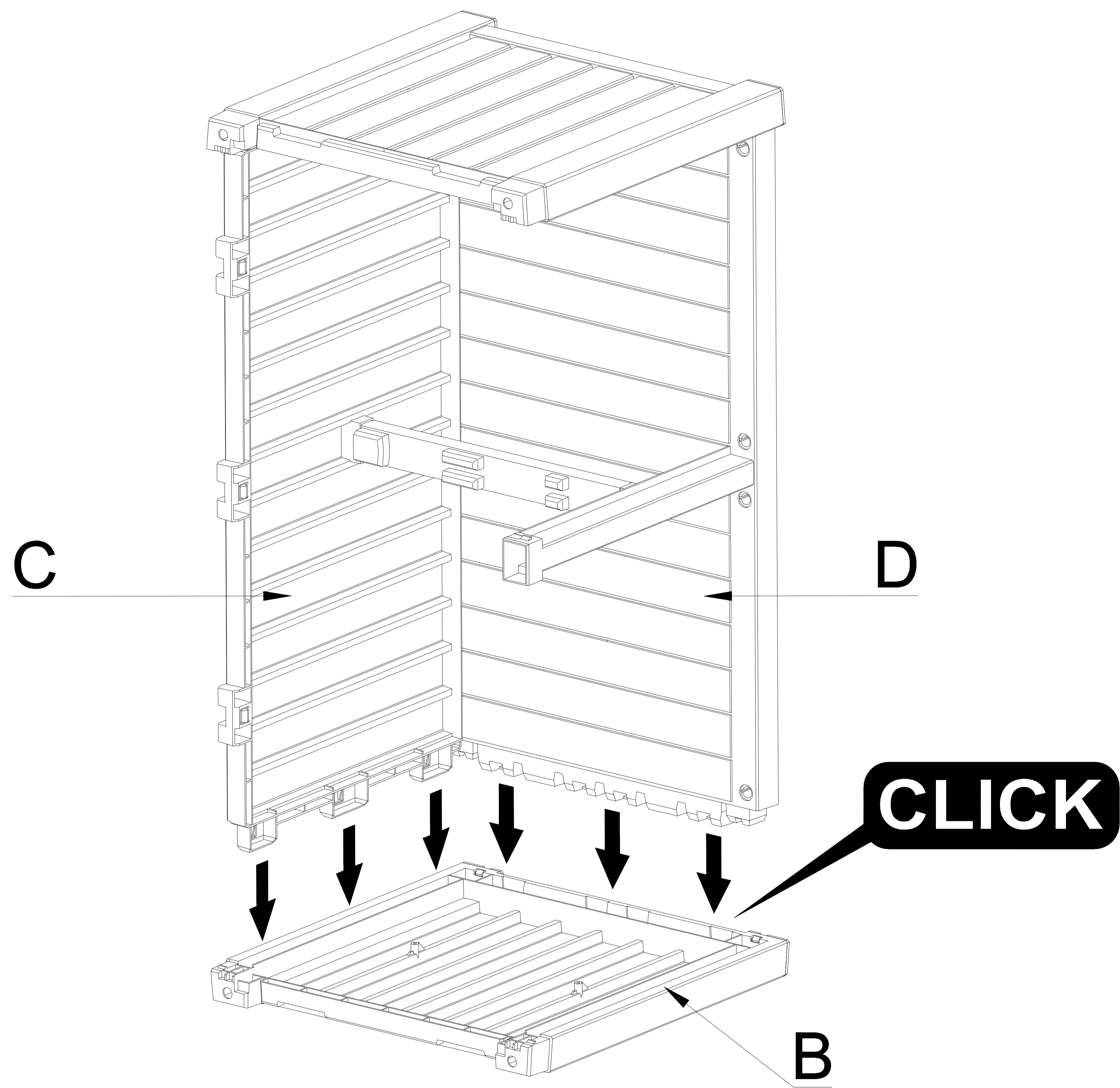
B(X1)



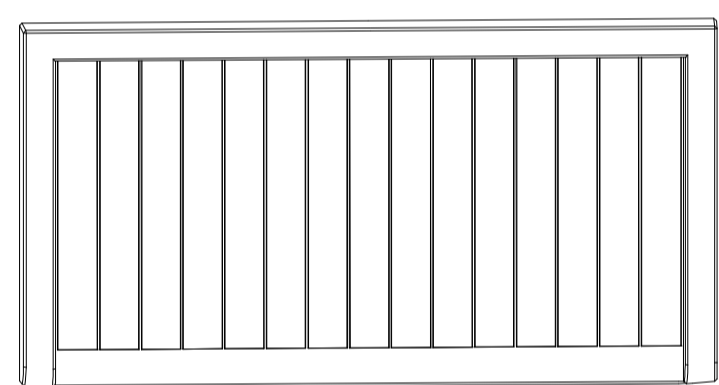
5



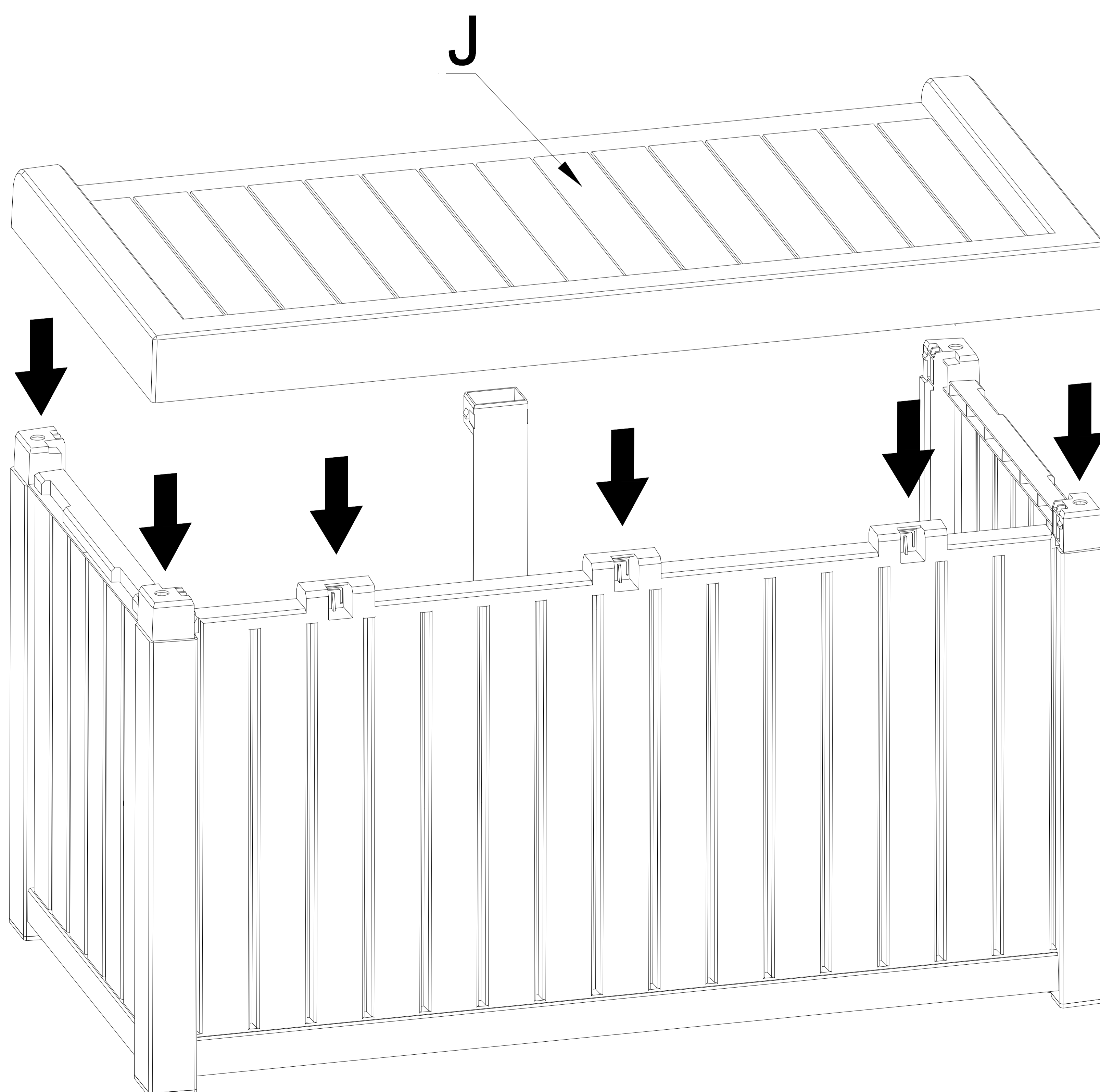
B(X1)



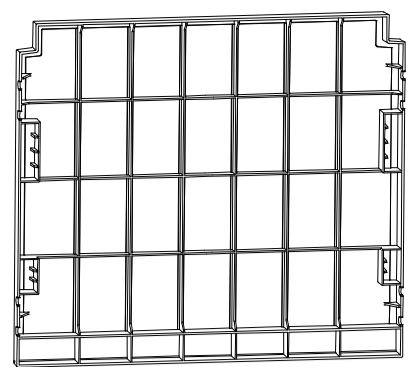
6



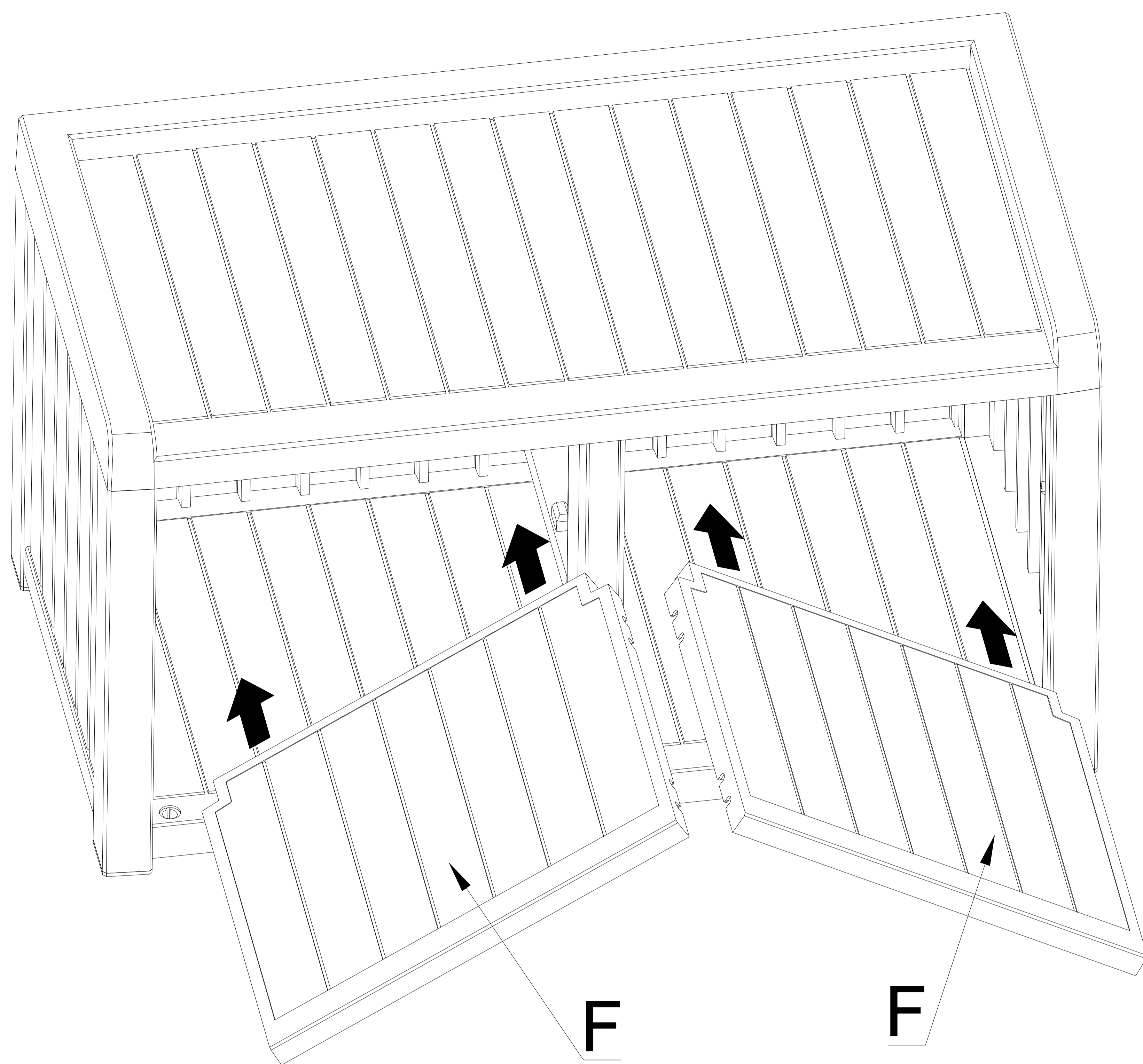
J(X1)



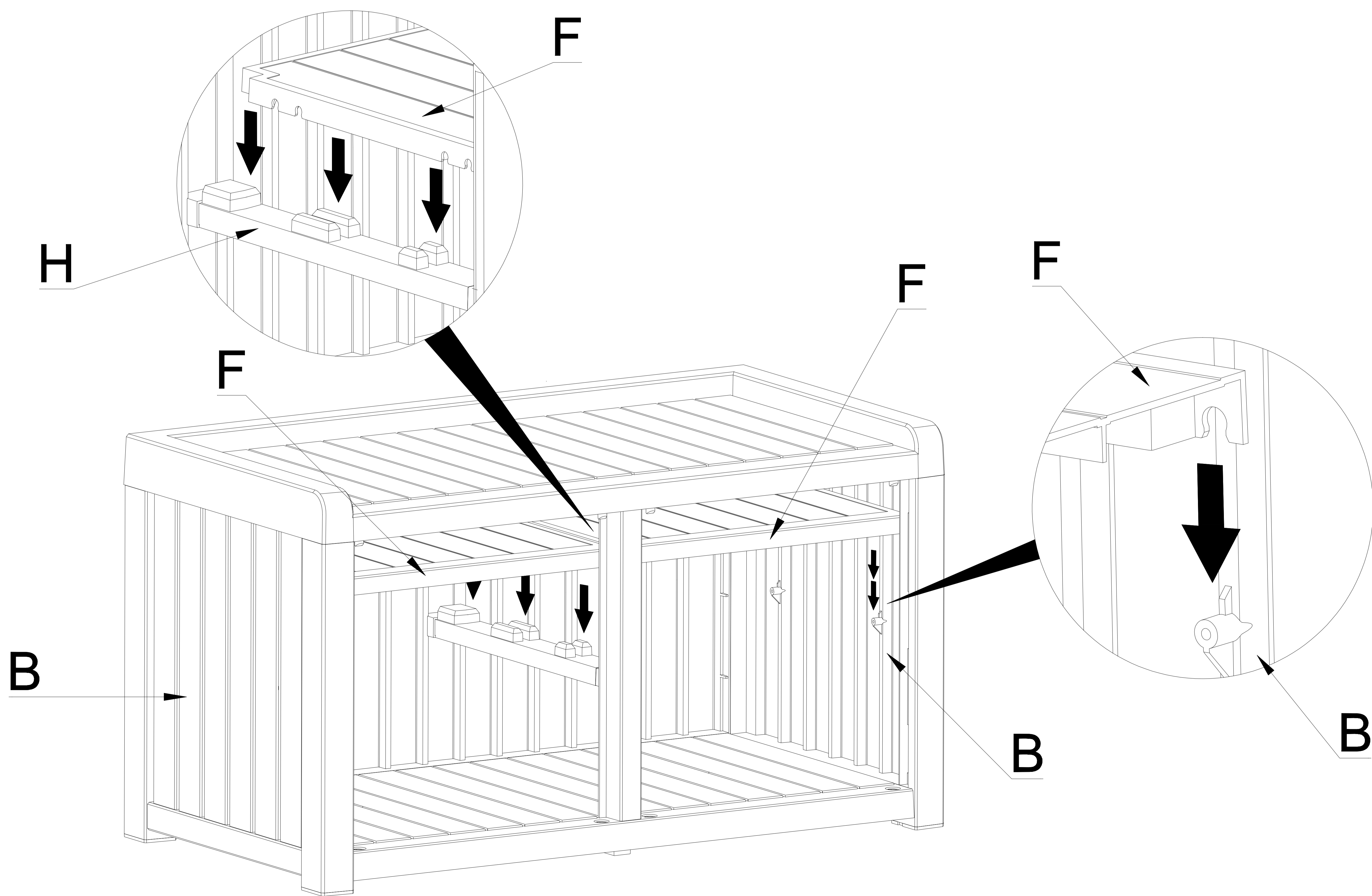
7



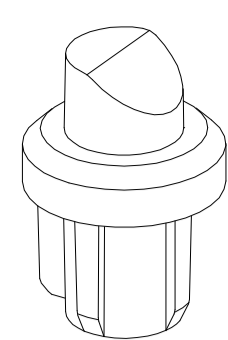
F(X2)



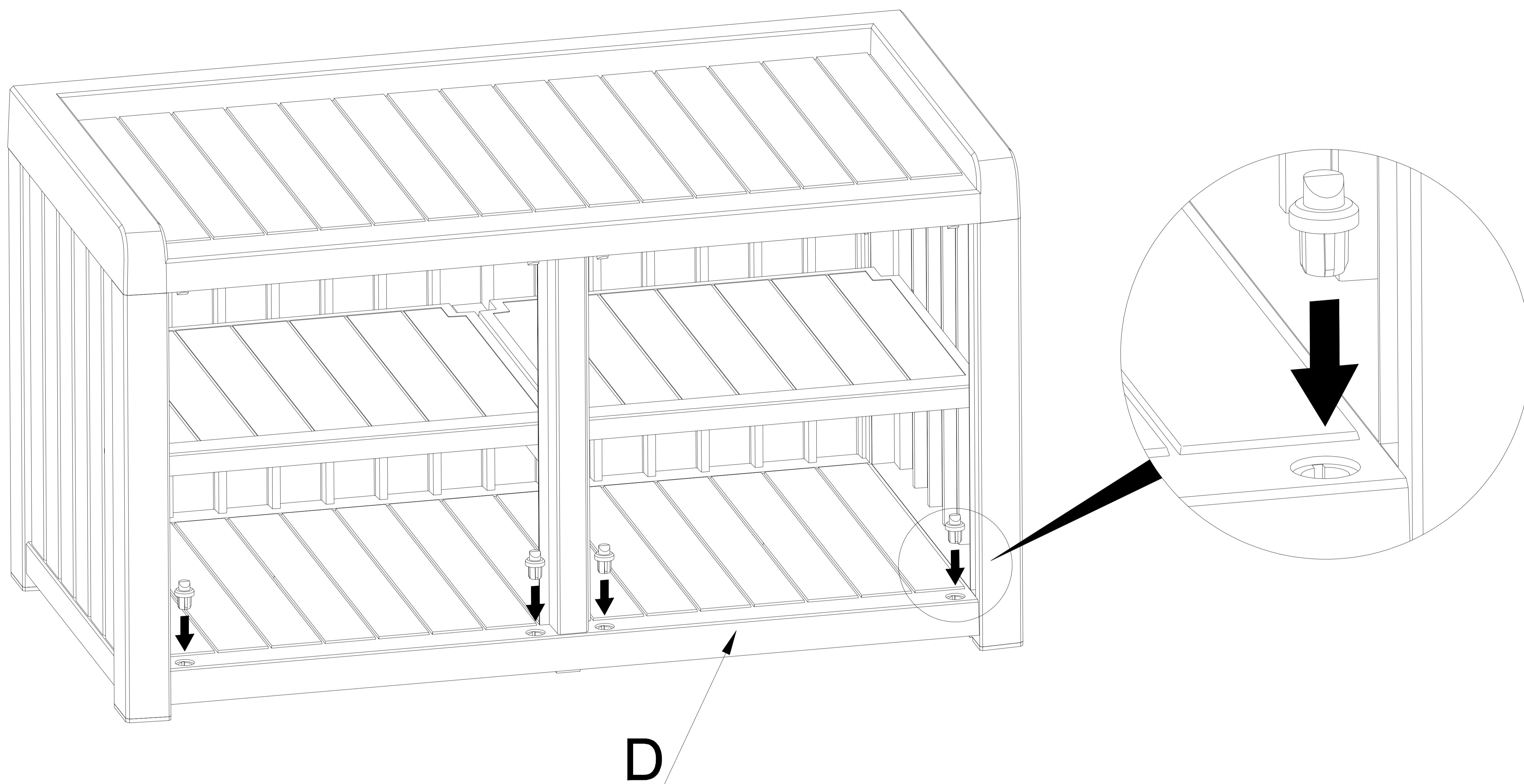
8



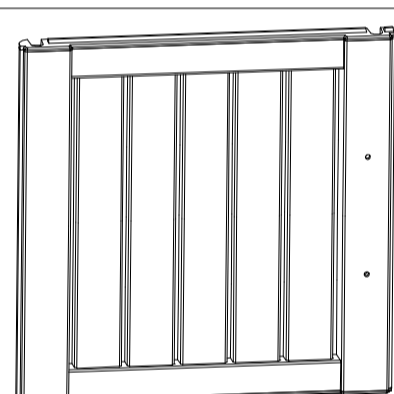
9



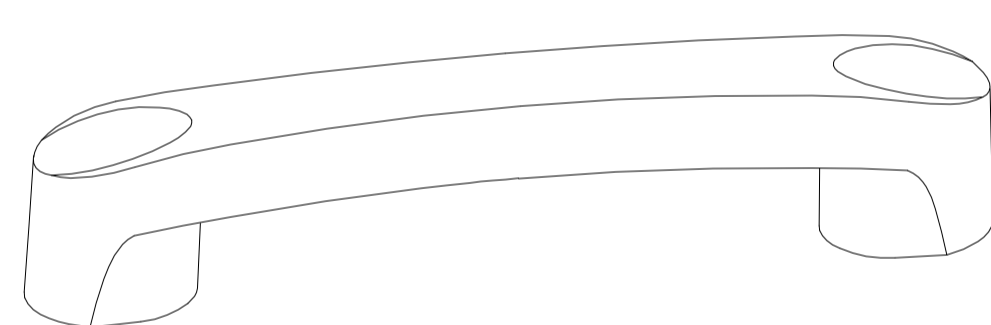
(X4)



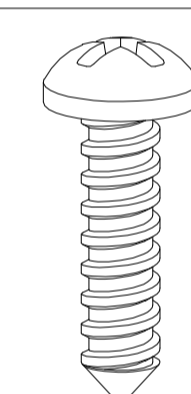
10



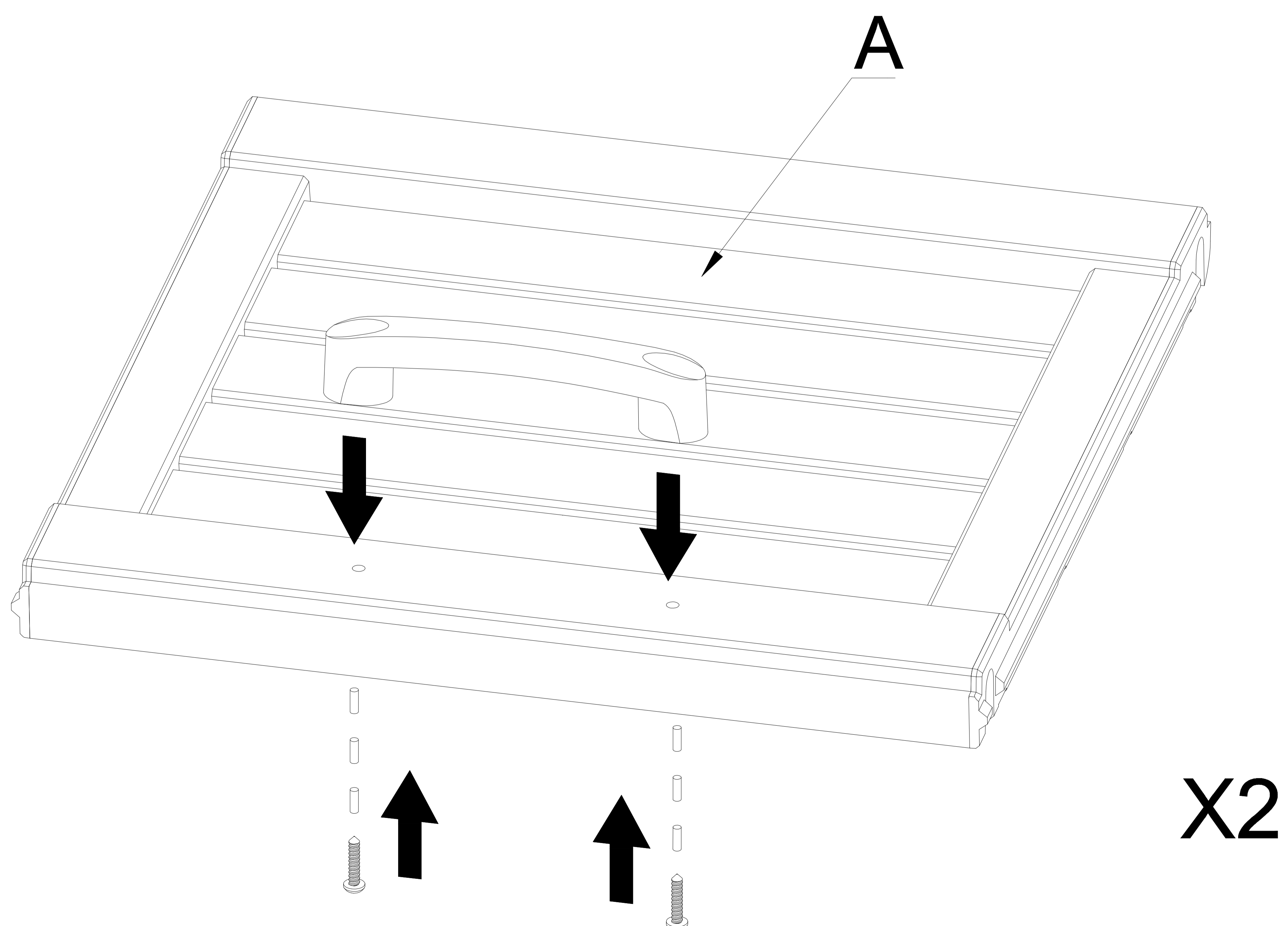
A(X2)



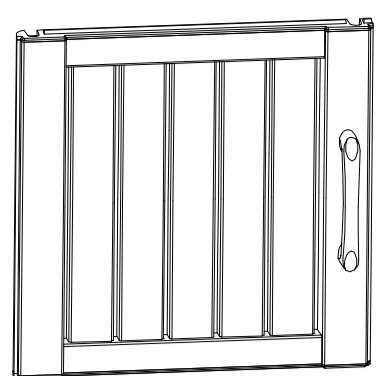
(X2)



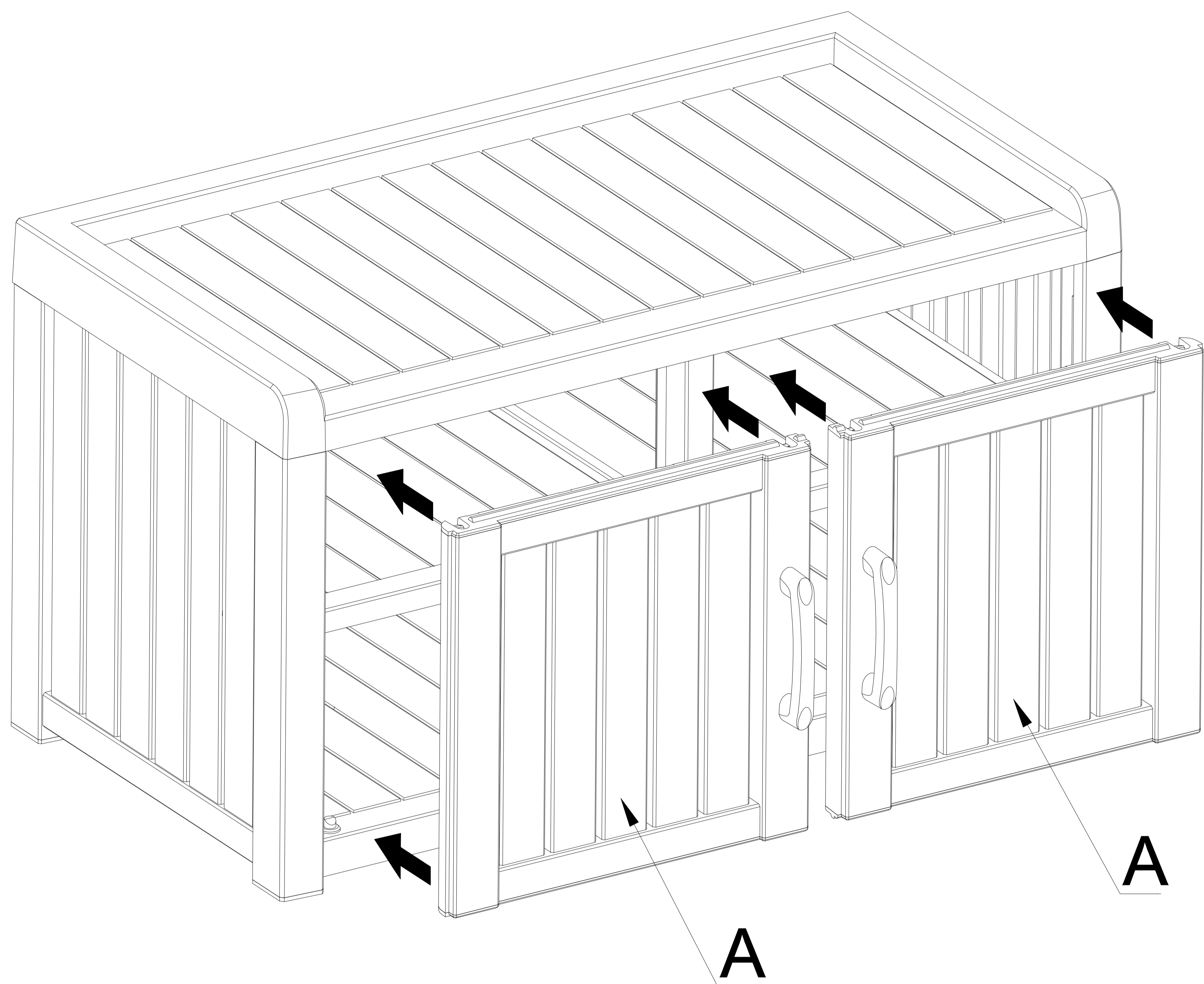
M4x19mm
(X4)



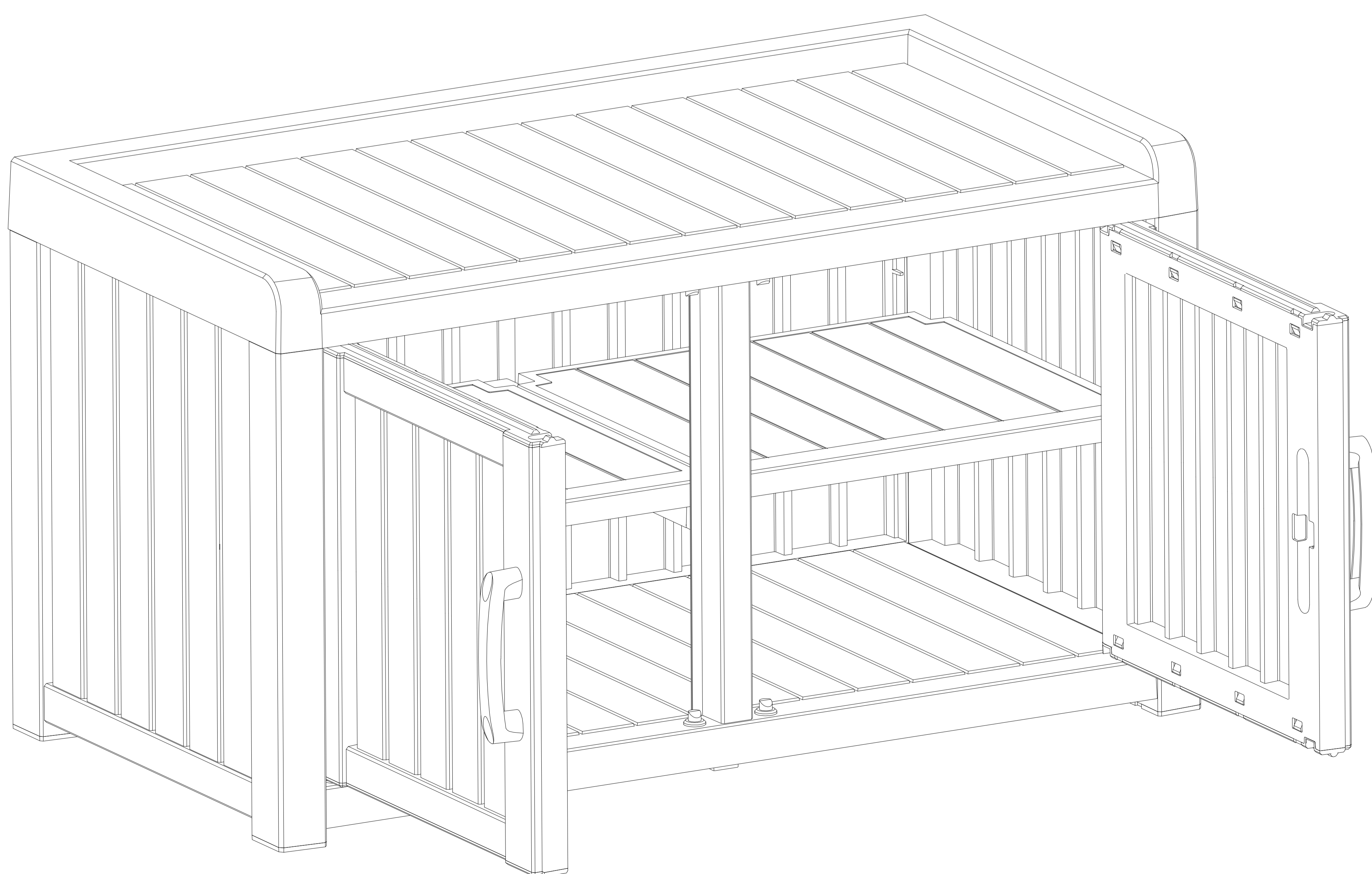
11



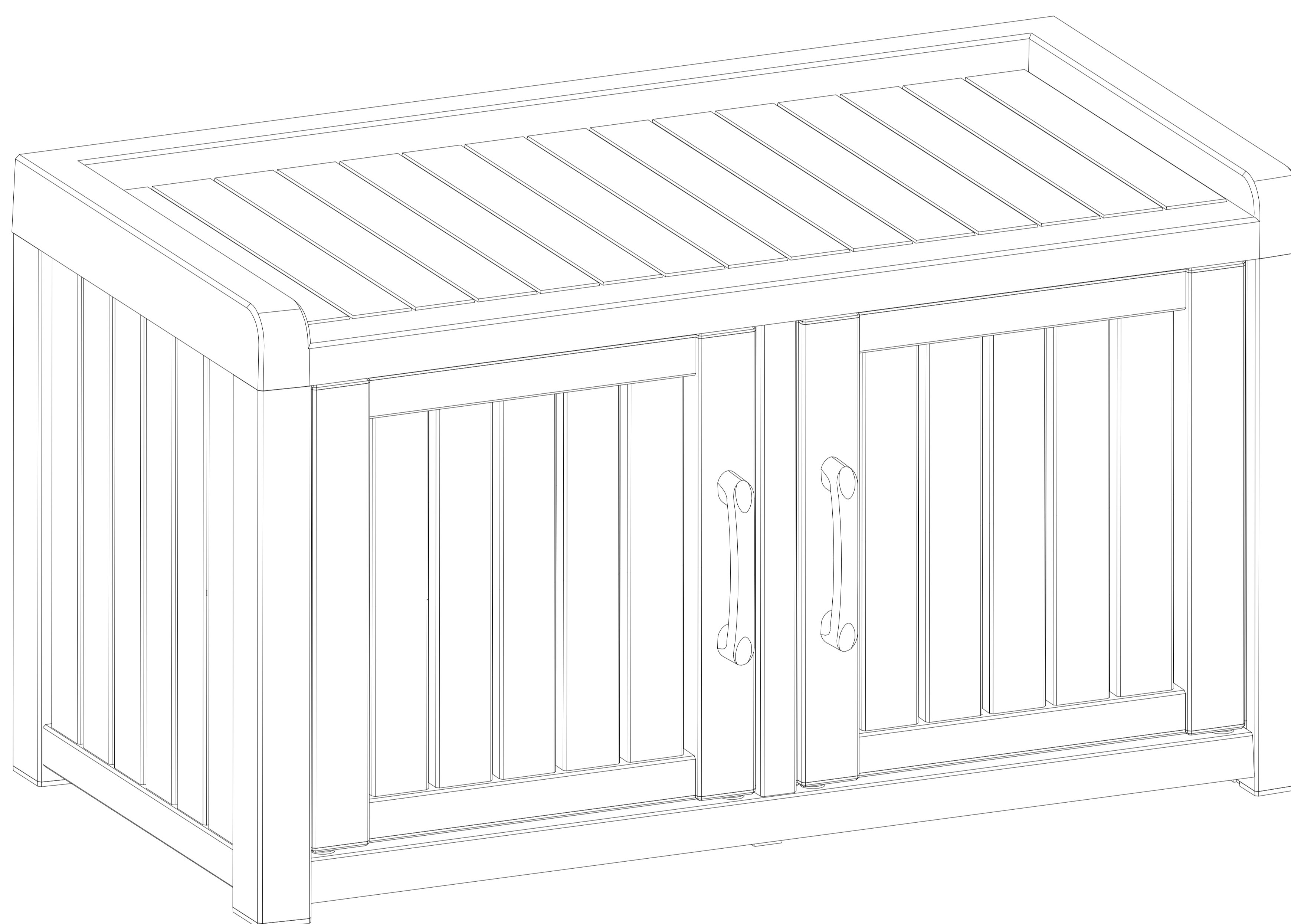
A(X2)



12



13



Double door entrance storage benches , outdoor storage stool with adjustable shelf, outdoor storage cabinet storage box, can store garden tools, miscellaneous items, etc., used for outdoor storage and organization , outdoor storage , storage benches