

Instruction Manual

2.7m Round Parasol



CONTENTS

Safety and care advice	1
Components	2
Assembly instructions	3
Copyright	6

⚠ SAFETY AND CARE ADVICE ⚠

PLEASE READ THESE INSTRUCTIONS CAREFULLY AND KEEP FOR FUTURE REFERENCE

- **Warning:** Please lift with care.
- Check you have all the components and tools listed on page 2.
- Remove all fittings from the plastic bags and separate them into their groups.
- Keep children and animals away from the work area, small parts could choke if swallowed.
- Make sure you have enough space to lay out the parts before starting.
- Do not stand or put weight on the product, this could cause damage.
- Assemble the item as close to its final position (in the same room) as possible.
- Assemble on a soft level surface to avoid damaging the unit or your floor (use opened out unit carton).



- We do not recommend the use of power drill/drivers **for inserting screws**, as this could damage the unit. Only use hand screwdrivers.
- Dispose of all packaging carefully and responsibly.

CARE AND MAINTENANCE

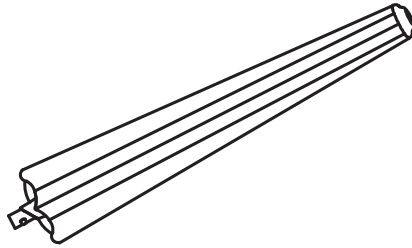
- Only clean using a damp cloth and mild detergent, do not use bleach or abrasive cleaners.
 - From time to time check that there are no loose screws on this unit.
 - This product should not be discarded with household waste. Take to your local authority waste disposal center.
 - We strongly recommend that you store your parasol when not in use, especially during winter months.
- We do not recommend leaving your parasol out in poor weather or unattended in furniture when a gust of wind could cause damage.
- You should ensure your parasol is clean and dry to prevent any mould or mildew forming when folded and stored.
- Note** *If required the next page can be cut out and used as reference throughout the assembly. Keep this page with these instructions for future reference.*

COMPONENTS

Please check you have all the components listed below:

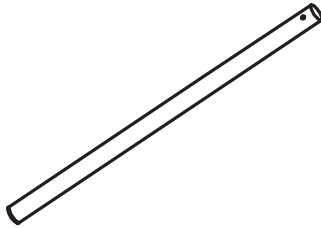


A



x 1

B

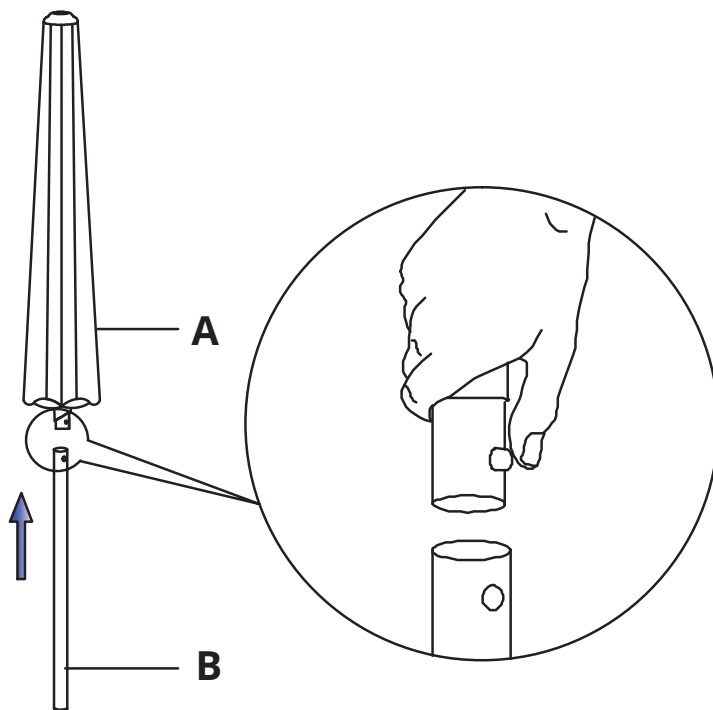


x 1



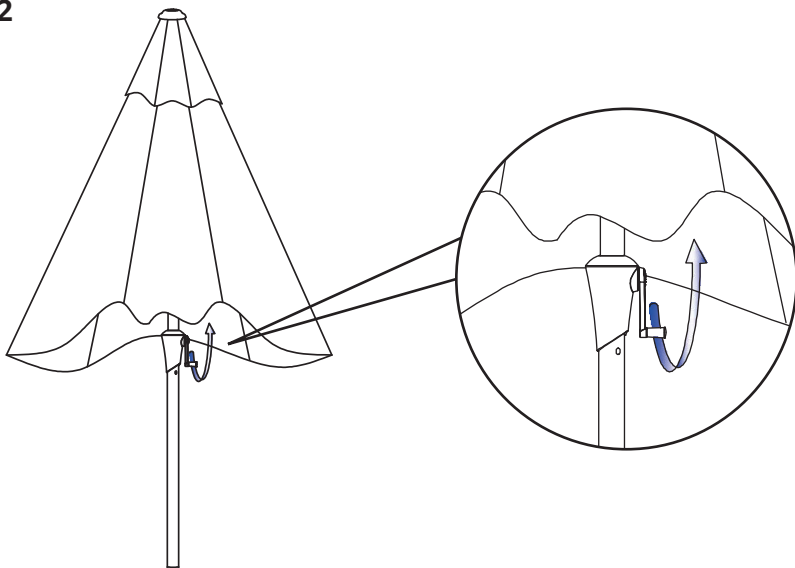
ASSEMBLY INSTRUCTIONS

Step 1

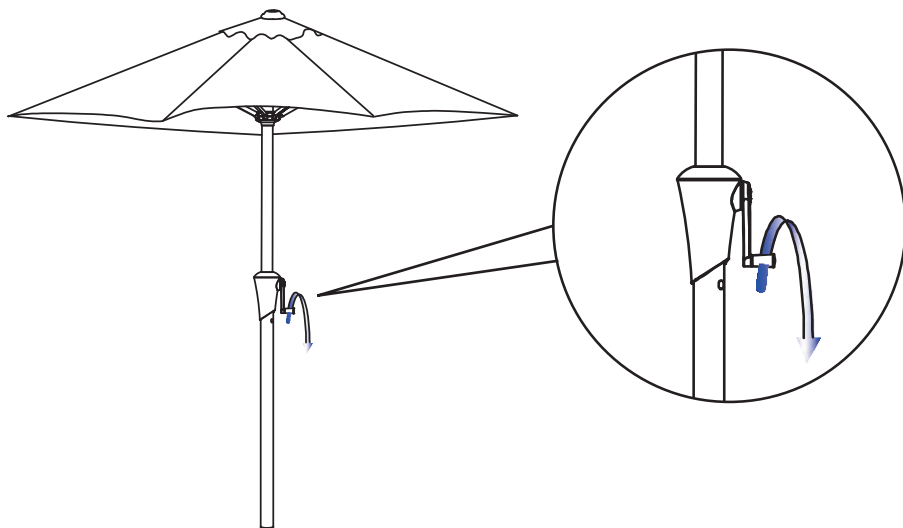


ASSEMBLY INSTRUCTIONS

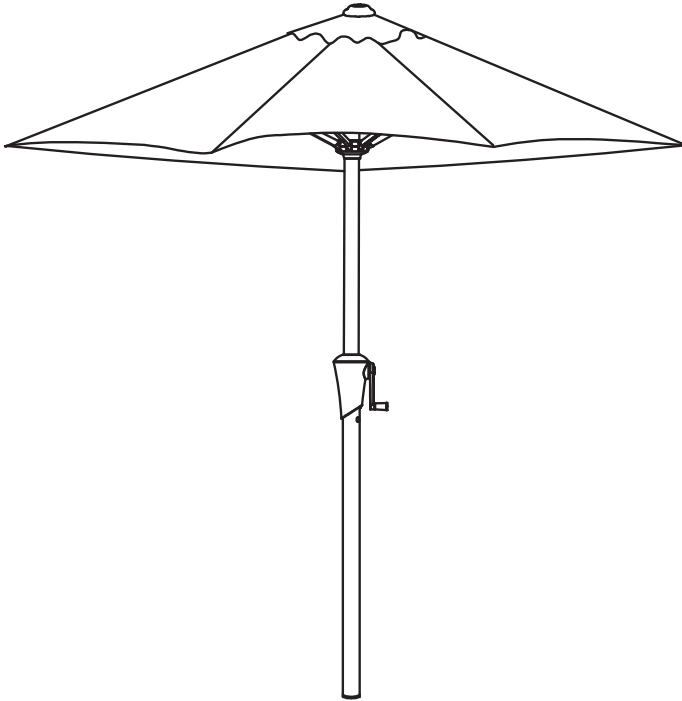
Step 2



Step 3



ASSEMBLY INSTRUCTIONS



Congratulations! Now you have finished assembling the product.