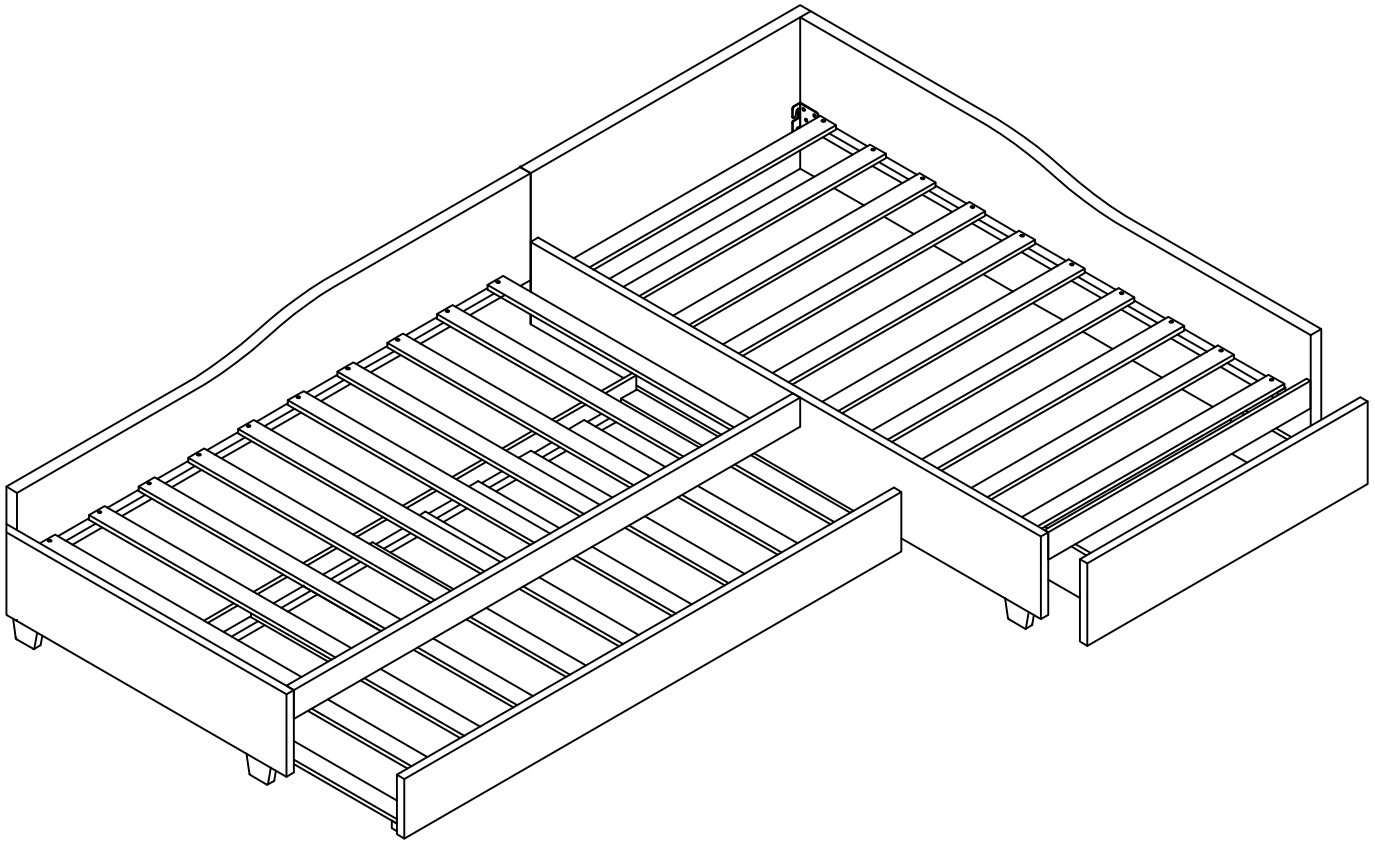


ASSEMBLY INSTRUCTIONS

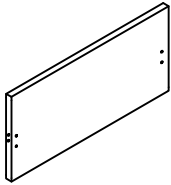
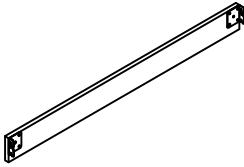
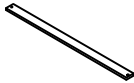



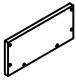
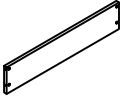
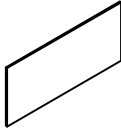
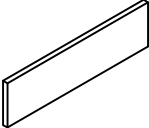
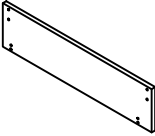


IMPORTANT NOTE

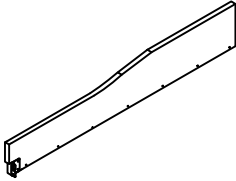
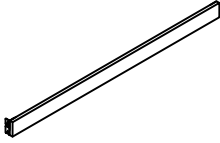
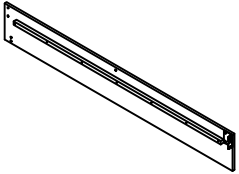
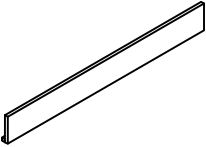
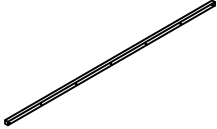
- **PLACE ALL PARTS ON A CLEAN AND SMOOTH SURFACE SUCH AS A RUG OR CARPET TO AVOID THE PARTS FROM BEING SCRATCHED**
- ** BEFORE YOU BEGIN , KINDY FOLLOW THE ASSEMBLY INSTRUCTIONS STEP BY STEP**
- **DO NOT TIGHTEN ALL SCREWS AND BOLTS UNTIL THE BED IS FULLY SET-UP**

ASSEMBLY INSTRUCTIONS

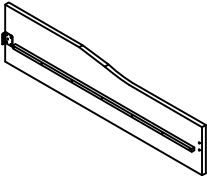
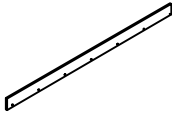

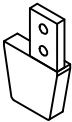


PART LIST BOX 1:

<p>1</p>  <p>Headboard Panel (1 pc)</p>	<p>2</p>  <p>Footboard Panel (1 pc)</p>	<p>3</p>  <p>Slat Roll (30 pcs) 985*60*15</p>
<p>4</p>  <p>Left Trundle Board (1pc)</p>	<p>5</p>  <p>Drawer Bottom Left Connector (1 pc)</p>	<p>6</p>  <p>Drawer Bottom Right Connector (2 pcs)</p>
<p>7</p>  <p>Drawer Side Panel (2 pcs)</p>	<p>8</p>  <p>Drawer Back Panel (1 pc)</p>	<p>9</p>  <p>Drawer Bottom Panel (1 pc)</p>
<p>10</p>  <p>Drawer Front Panel (1pc)</p>	<p>11</p>  <p>Trundle Bed Footboard (1 pc)</p>	

PART LIST BOX 2:



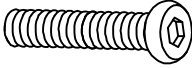
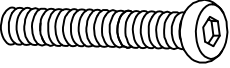
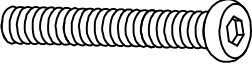
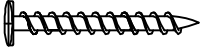

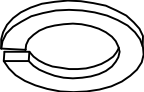

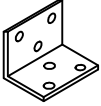


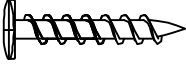
<p>12</p>  <p>Trundle Bed Left Side Rail (1 pc)</p>	<p>13</p>  <p>Trundle Bed Right Side Rail (1 pc)</p>	<p>14</p>  <p>Bed Left Side Rail (1 pc)</p>
<p>15</p>  <p>Trundle Front Panel (1 pc)</p>	<p>16</p>  <p>Trundle Side Rail Connector (1 pc)</p>	

PART LIST BOX 3:

<p>17</p>  <p>Bed Right Side Rail (1 pc)</p>	<p>18</p>  <p>Trundle Back Panel (1 pc)</p>	<p>19</p>  <p>Bed Headboard Leg (2pcs) + Footboard Right Leg (1 pc)</p>
<p>20</p>  <p>Trundle Leg (2pcs) + Bed Footboard Left Leg (1 pc)</p>	<p>21</p>  <p>Trundle Back Panel Connector (1 pc)</p>	<p>22</p>  <p>Wheels (8 pcs) m41 x 25mm x 40mm</p>

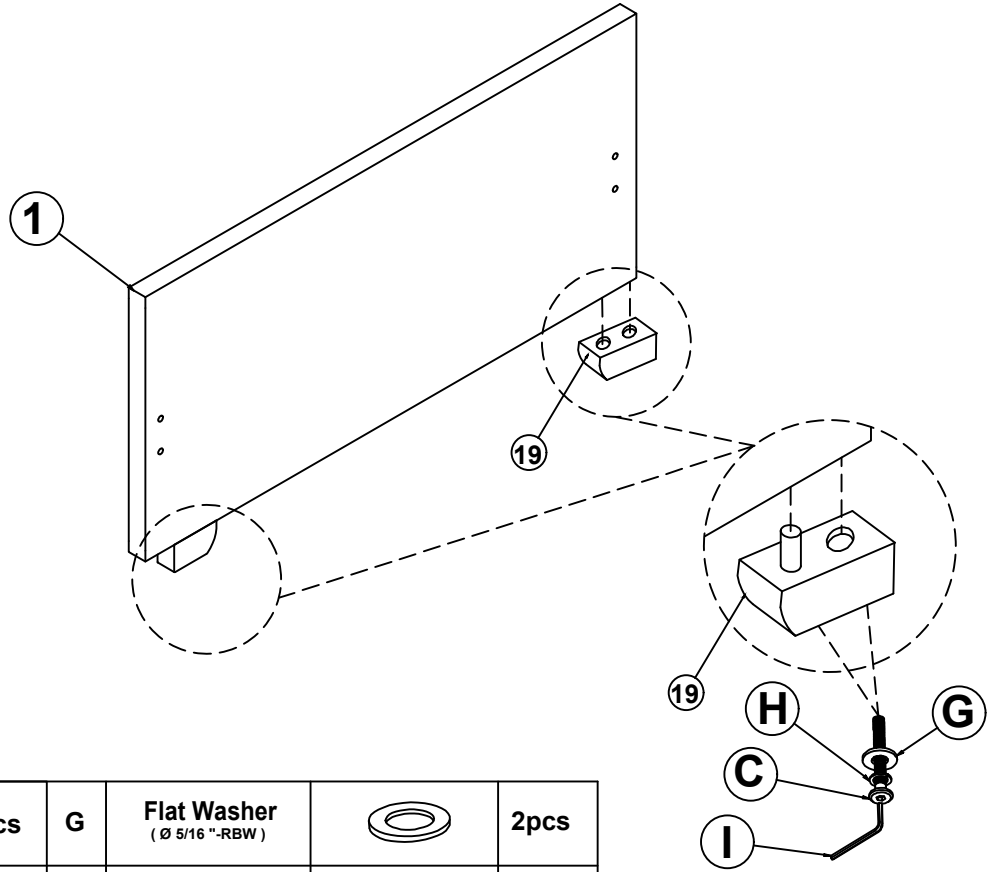
ASSEMBLY INSTRUCTIONS





HARDWARE LIST

<p>A</p>  <p>(\varnothing 5/16 "X20mm) Short Bolt (14pcs)</p>	<p>B</p>  <p>(\varnothing 5/16 "X38mm) Long Bolt (8 pcs)</p>	<p>C</p>  <p>(\varnothing 5/16 "X45mm) Long Bolt (3 pcs)</p>
<p>D</p>  <p>(\varnothing 5/16 "X50mm) Long Bolt (7 pcs)</p>	<p>E</p>  <p>(\varnothing 5/16 "X60mm) Long Bolt (7 pcs)</p>	<p>F</p>  <p>(m4x30mm-RBW) Flat Head Screw (64 pcs)</p>
<p>G</p>  <p>(\varnothing 5/16 "-RBW) Flat Washer (39 pcs)</p>	<p>H</p>  <p>(\varnothing 5/16 "-RBW) Spring Washer (39 pcs)</p>	<p>I</p>  <p>(M4x75mm x32mm) Allen Wrench (1 pc)</p>
<p>J</p>  <p>(38mmx38mmx25mmx2mm) Square Patch (4 pcs)</p>	<p>K</p>  <p>(\varnothing10x10mmx10mm) Plastic Button (12 pcs)</p>	<p>L</p>  <p>(m4x38mm-RBW) Flat Head Screw (12 pcs)</p>
<p>M</p>  <p>(m4x15mm-RBW) Flat Head Screw (56 pcs)</p>		

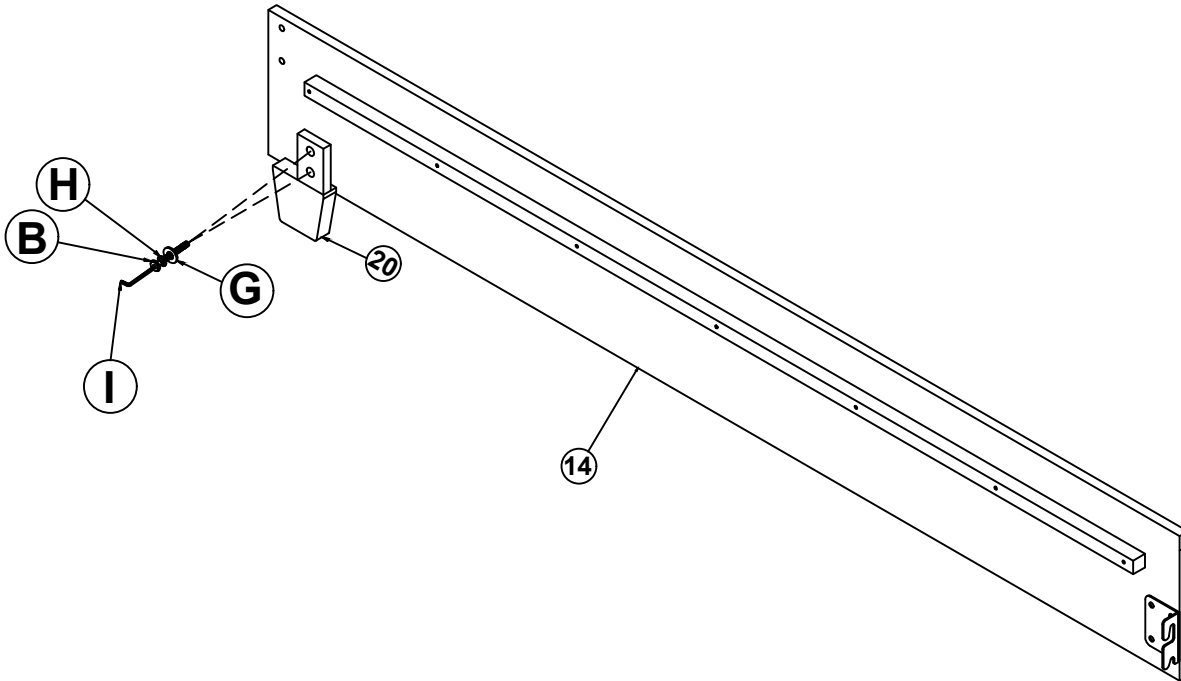
ASSEMBLY INSTRUCTIONS





STEP 1



C	Bolt (Ø 5/16 "X45mm)		2pcs	G	Flat Washer (Ø 5/16 "-RBW)		2pcs
H	Spring Washer (Ø 5/16 "-RBW)		2pcs	I	Allen Wrench (M4x75mm x32mm)		1pc

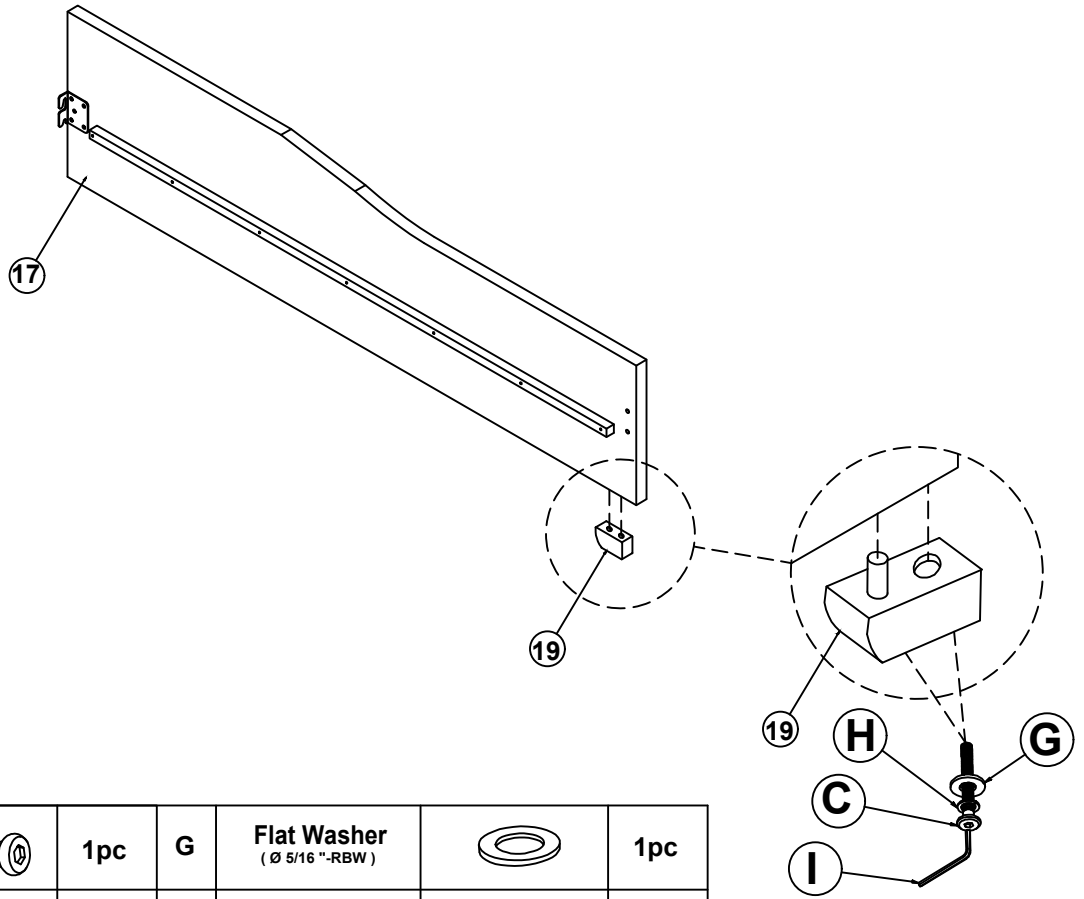
STEP 2







B	Bolt (Ø 5/16 "X38mm)		2pcs	G	Flat Washer (Ø 5/16 "-RBW)		2pcs
H	Spring Washer (Ø 5/16 "-RBW)		2pcs	I	Allen Wrench (M4x75mm x32mm)		1pc

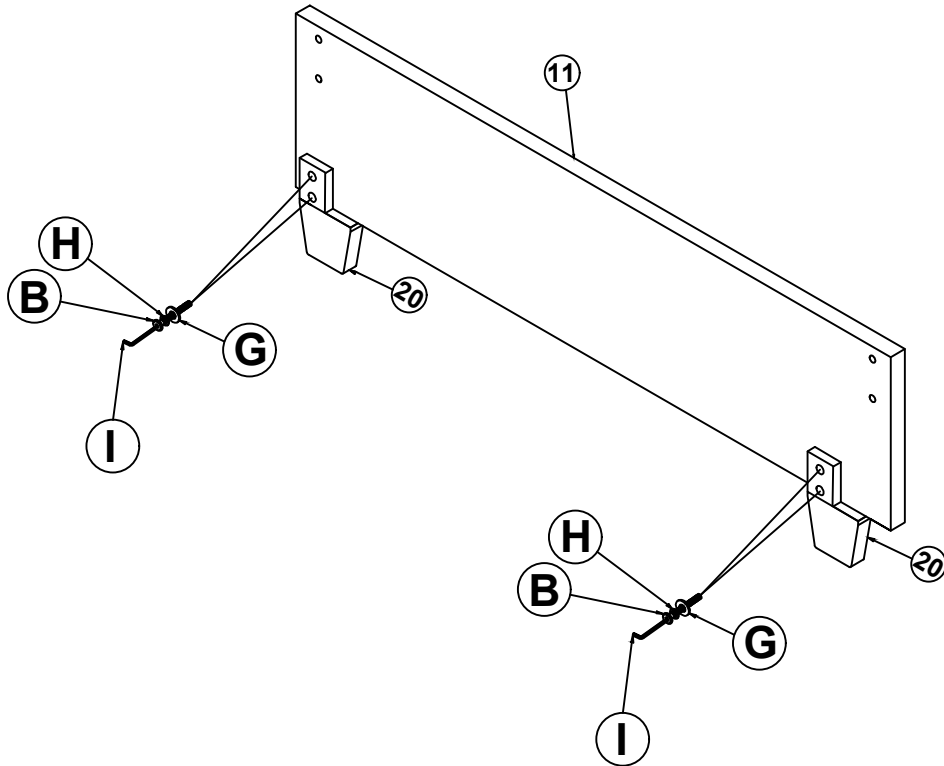
ASSEMBLY INSTRUCTIONS





STEP 3



C	Bolt (Ø 5/16 "X45mm)		1pc	G	Flat Washer (Ø 5/16 "-RBW)		1pc
H	Spring Washer (Ø 5/16 "-RBW)		1pc	I	Allen Wrench (M4x75mm x32mm)		1pc

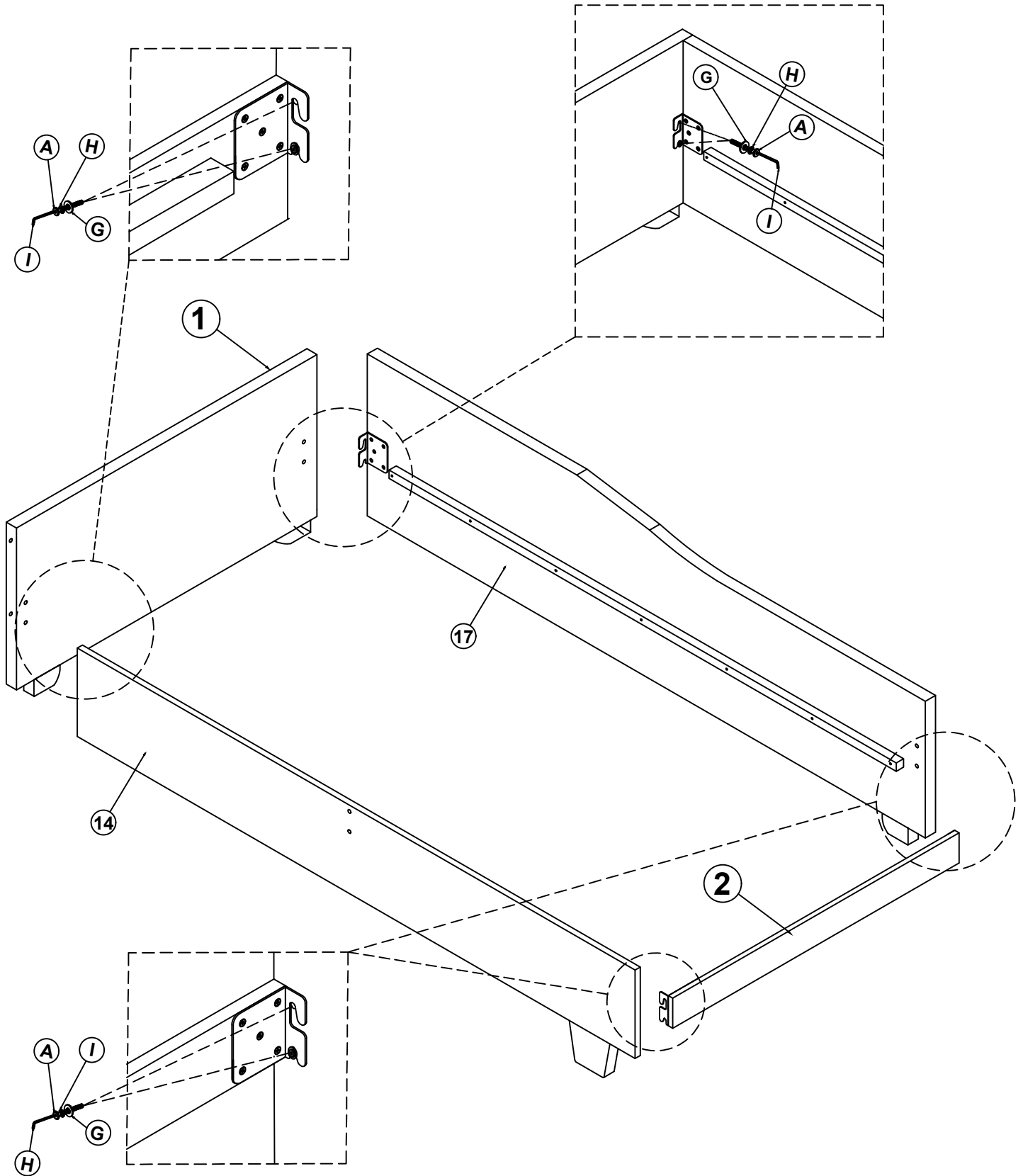
STEP 4

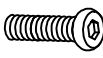





B	Bolt (Ø 5/16 "X38mm)		4pcs	G	Flat Washer (Ø 5/16 "-RBW)		4pcs
H	Spring Washer (Ø 5/16 "-RBW)		4pcs	I	Allen Wrench (M4x75mm x32mm)		1pc

ASSEMBLY INSTRUCTIONS

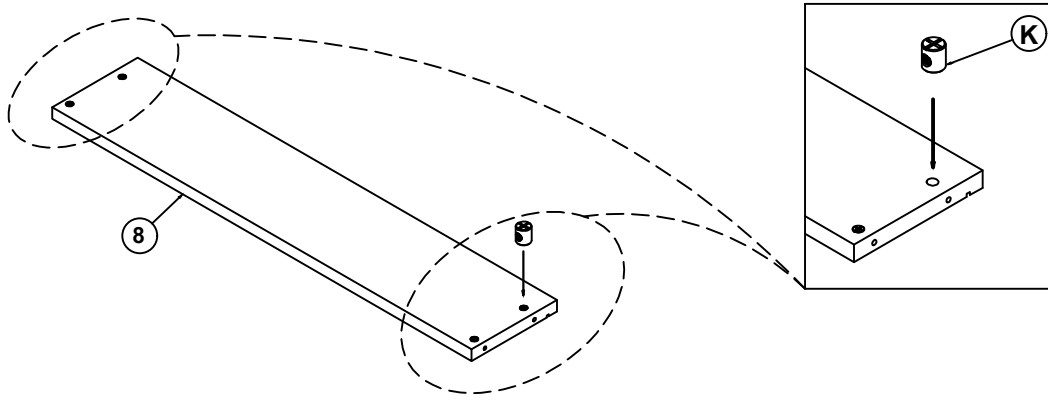
STEP 5




A	Bolt (Ø 5/16 "X20mm)		8pcs	G	Flat Washer (Ø 5/16 "-RBW)		8pcs
H	Spring Washer (Ø 5/16 "-RBW)		8pcs	I	Allen Wrench (M4x75mm x32mm)		1pc

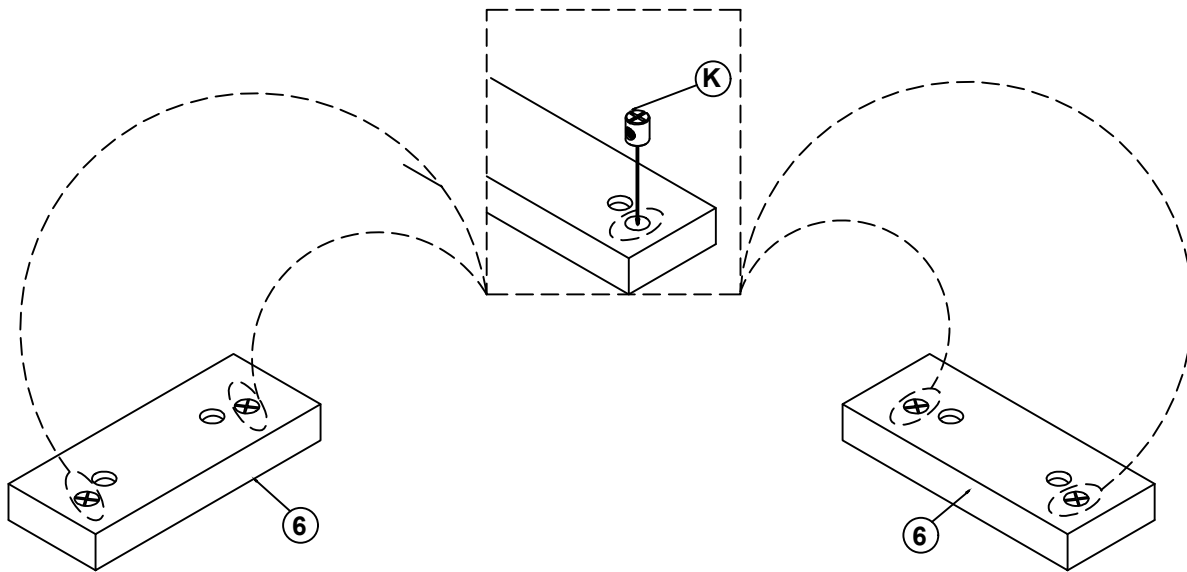
ASSEMBLY INSTRUCTIONS

STEP 6



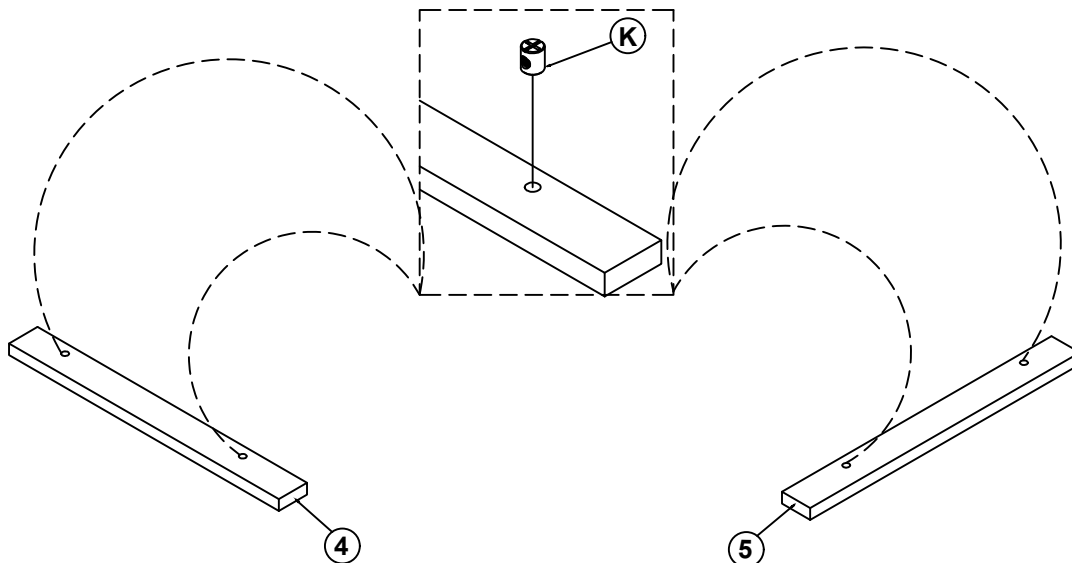
K	Plastic Button ($\varnothing 10 \times 10 \text{mm} \times 10 \text{mm}$)		4pcs
---	--	---	------


STEP 7



K	Plastic Button ($\varnothing 10 \times 10 \text{mm} \times 10 \text{mm}$)		4pcs
---	--	---	------

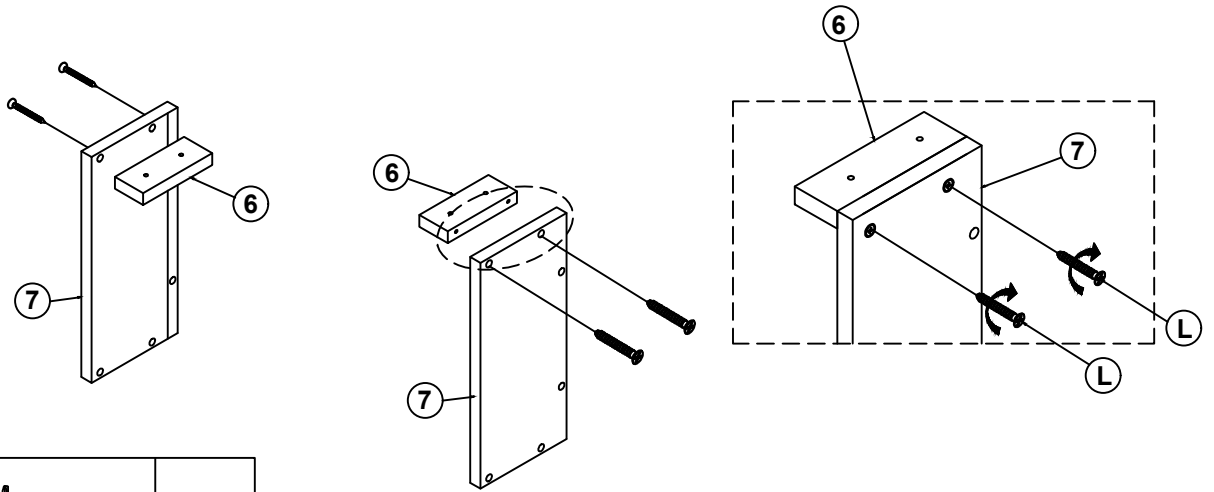
STEP 8

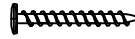


K	Plastic Button ($\varnothing 10 \times 10 \text{mm} \times 10 \text{mm}$)		4pcs
---	--	---	------

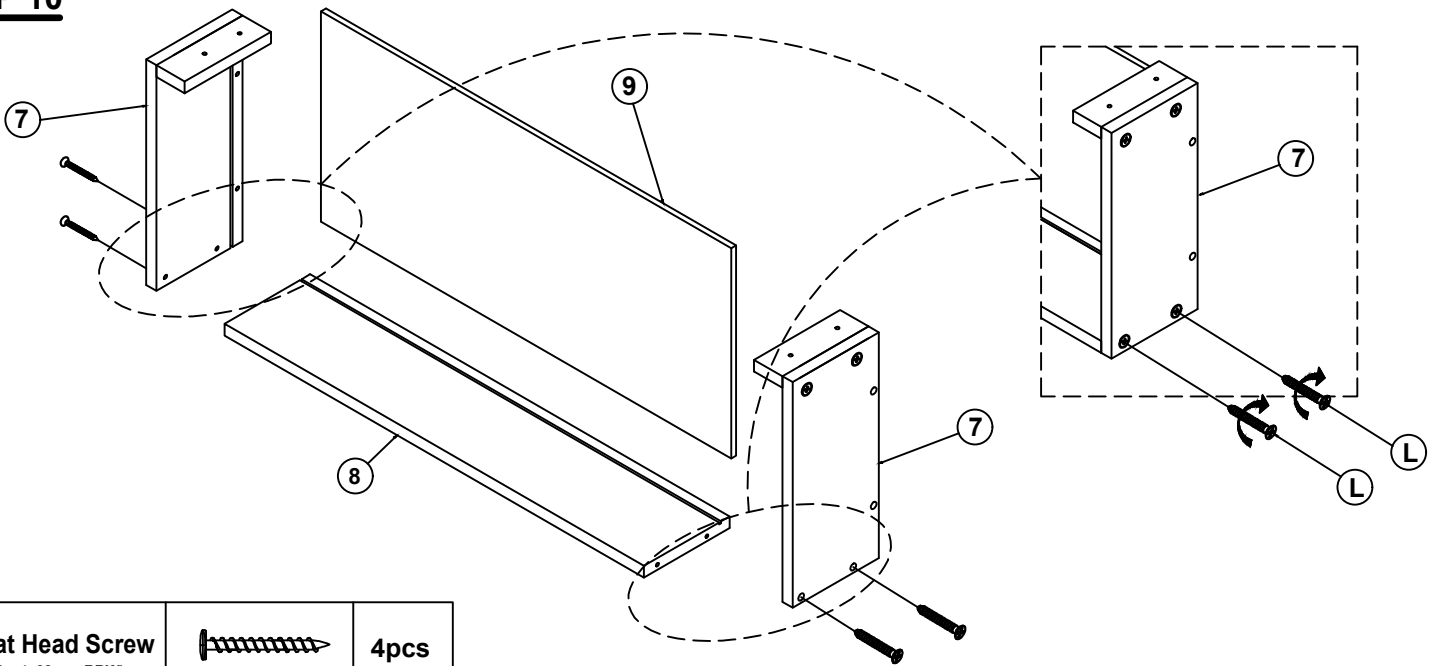
ASSEMBLY INSTRUCTIONS

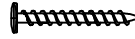
STEP 9



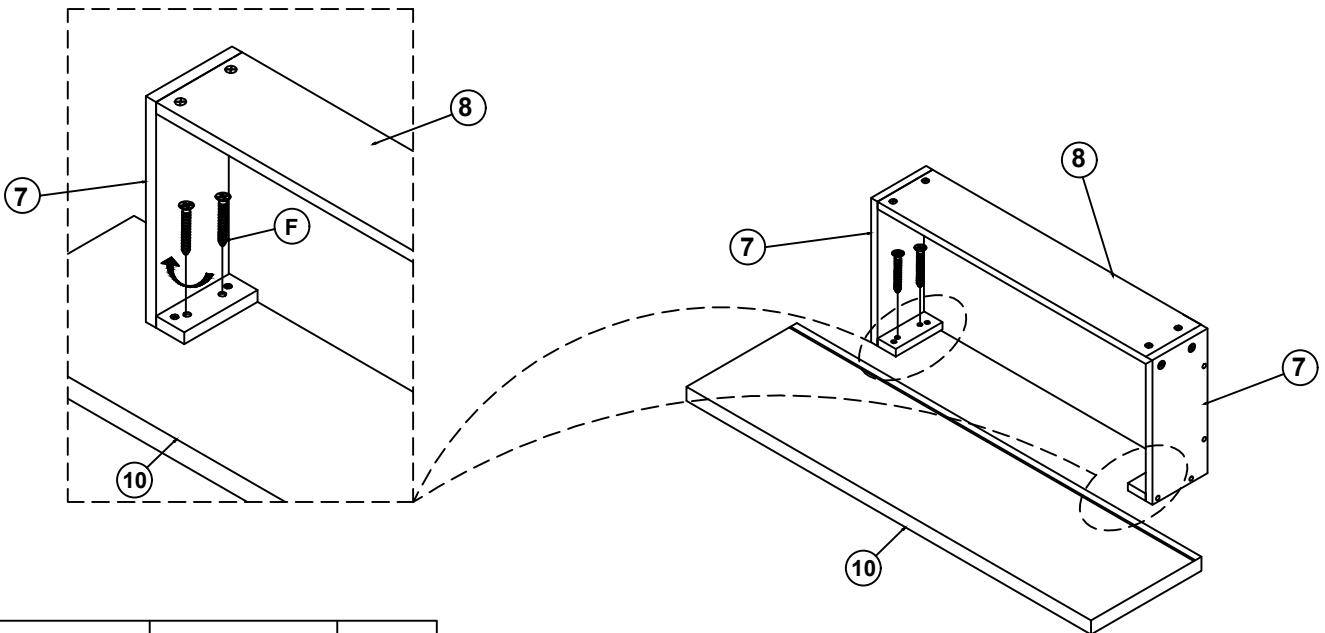
L	Flat Head Screw (m4x38mm-RBW)		4pcs
---	----------------------------------	---	------

STEP 10



L	Flat Head Screw (m4x38mm-RBW)		4pcs
---	----------------------------------	---	------

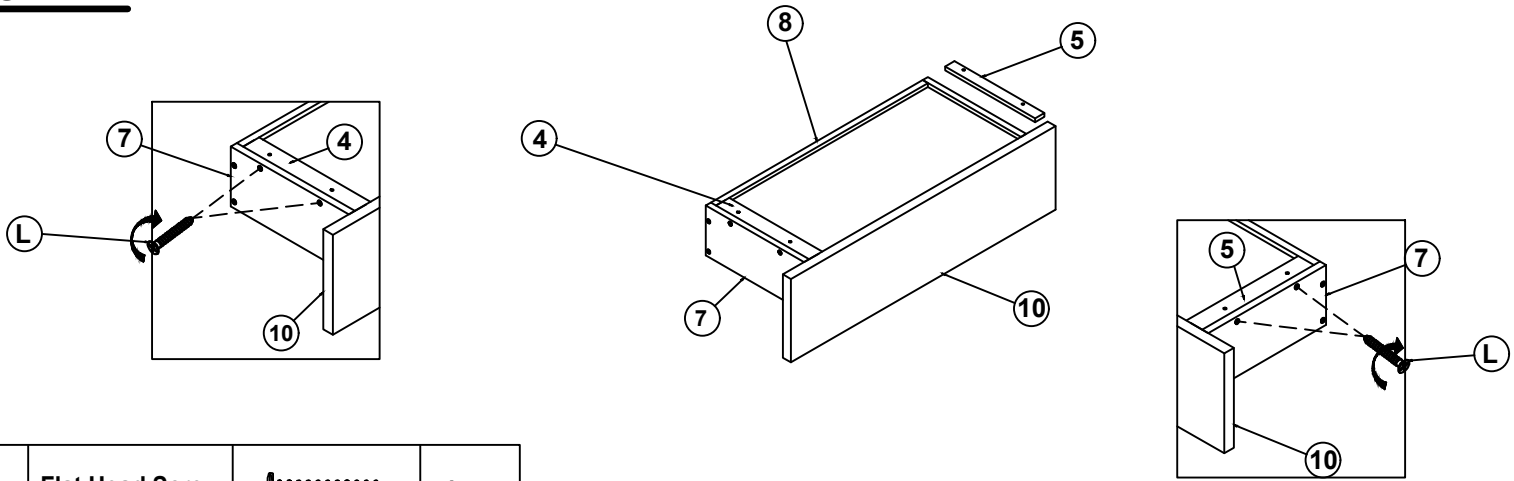
STEP 11

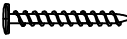


F	Flat Head Screw (m4x30mm-RBW)		4pcs
---	----------------------------------	---	------

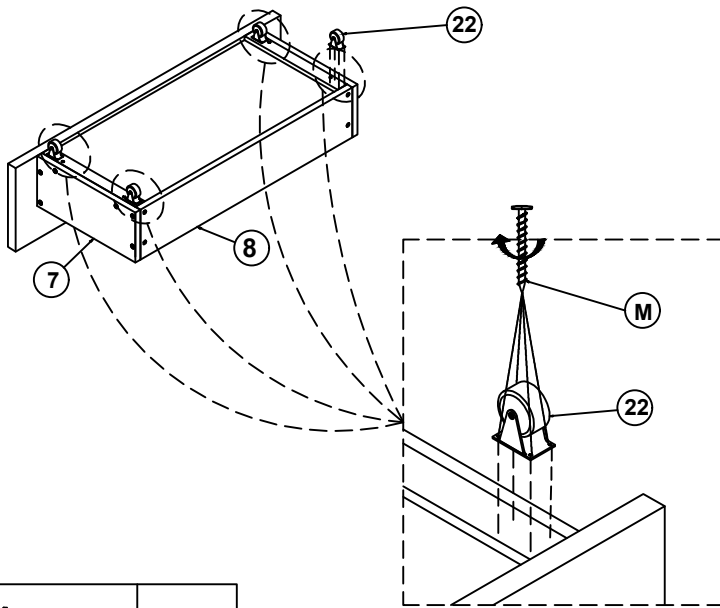
ASSEMBLY INSTRUCTIONS

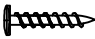
STEP 12



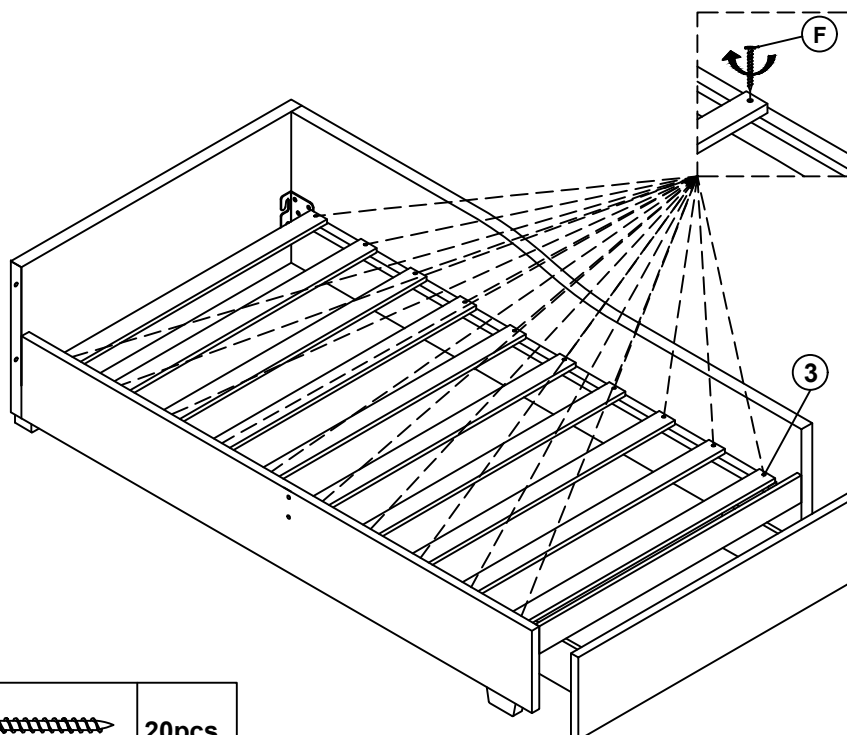
L	Flat Head Screw (m4x38mm-RBW)		4pcs
---	----------------------------------	---	------

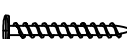
STEP 13



M	Flat Head Screw (m4x15mm-RBW)		16pcs
---	----------------------------------	---	-------

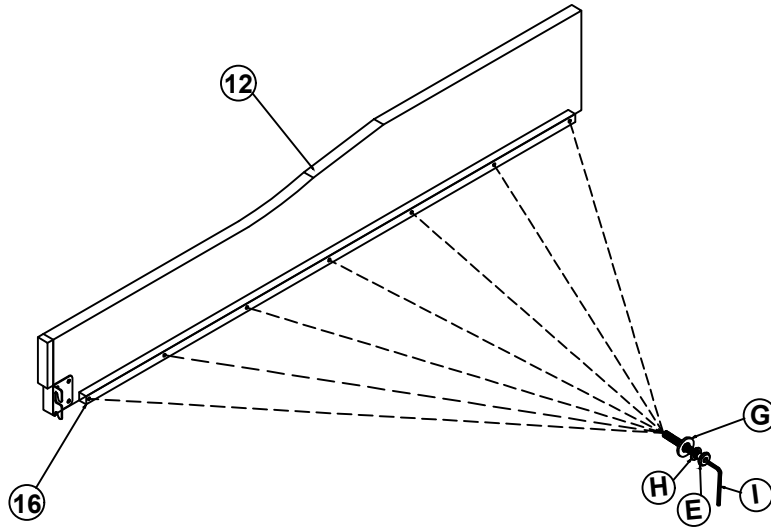
STEP 14







F	Flat Head Screw (m4x30mm-RBW)		20pcs
---	----------------------------------	---	-------

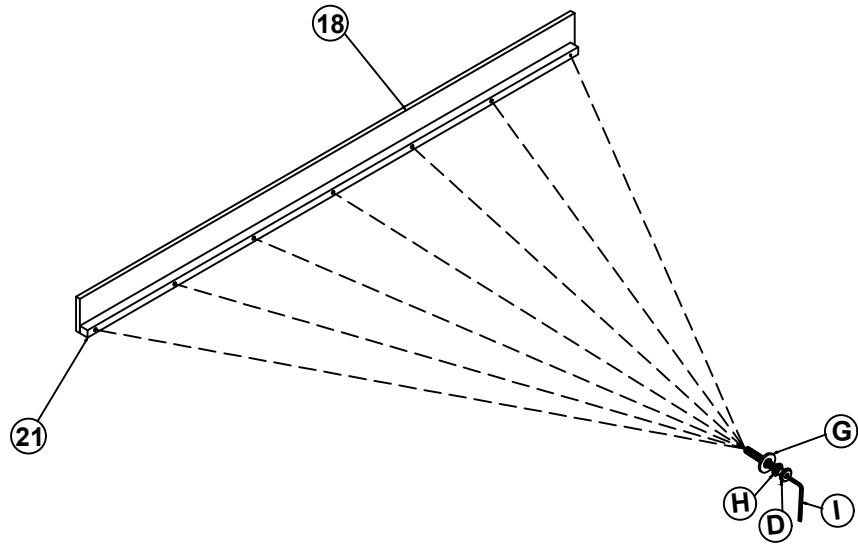
ASSEMBLY INSTRUCTIONS





STEP 15



E	Bolt (Ø 5/16 "X60mm)		7pcs	G	Flat Washer (Ø 5/16 "-RBW)		7pcs
H	Spring Washer (Ø 5/16 "-RBW)		7pcs	I	Allen Wrench (M4x75mm x32mm)		1pc

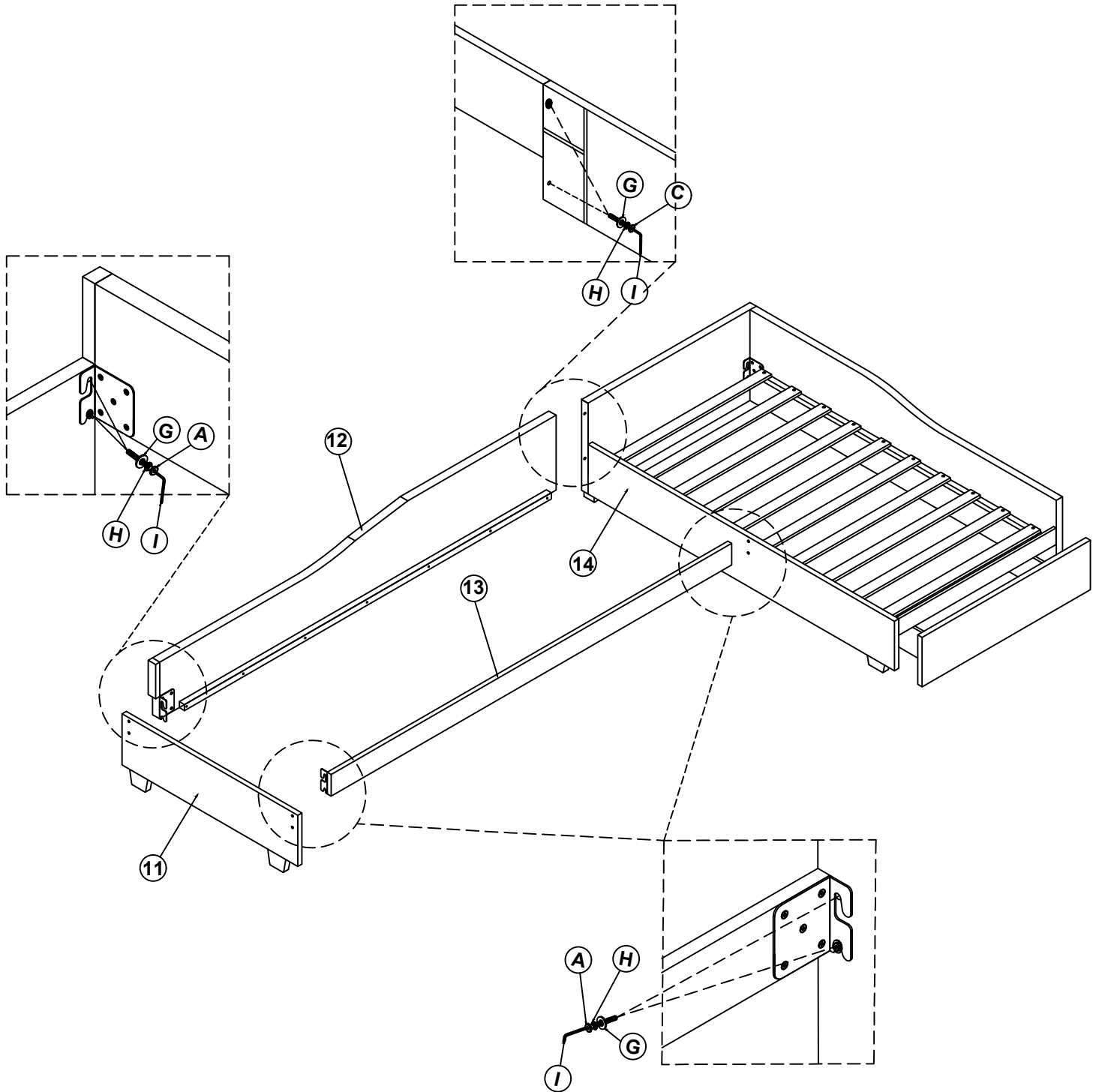
STEP 16

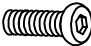






D	Bolt (Ø 5/16 "X50mm)		7pcs	G	Flat Washer (Ø 5/16 "-RBW)		7pcs
H	Spring Washer (Ø 5/16 "-RBW)		7pcs	I	Allen Wrench (M4x75mm x32mm)		1pc

ASSEMBLY INSTRUCTIONS

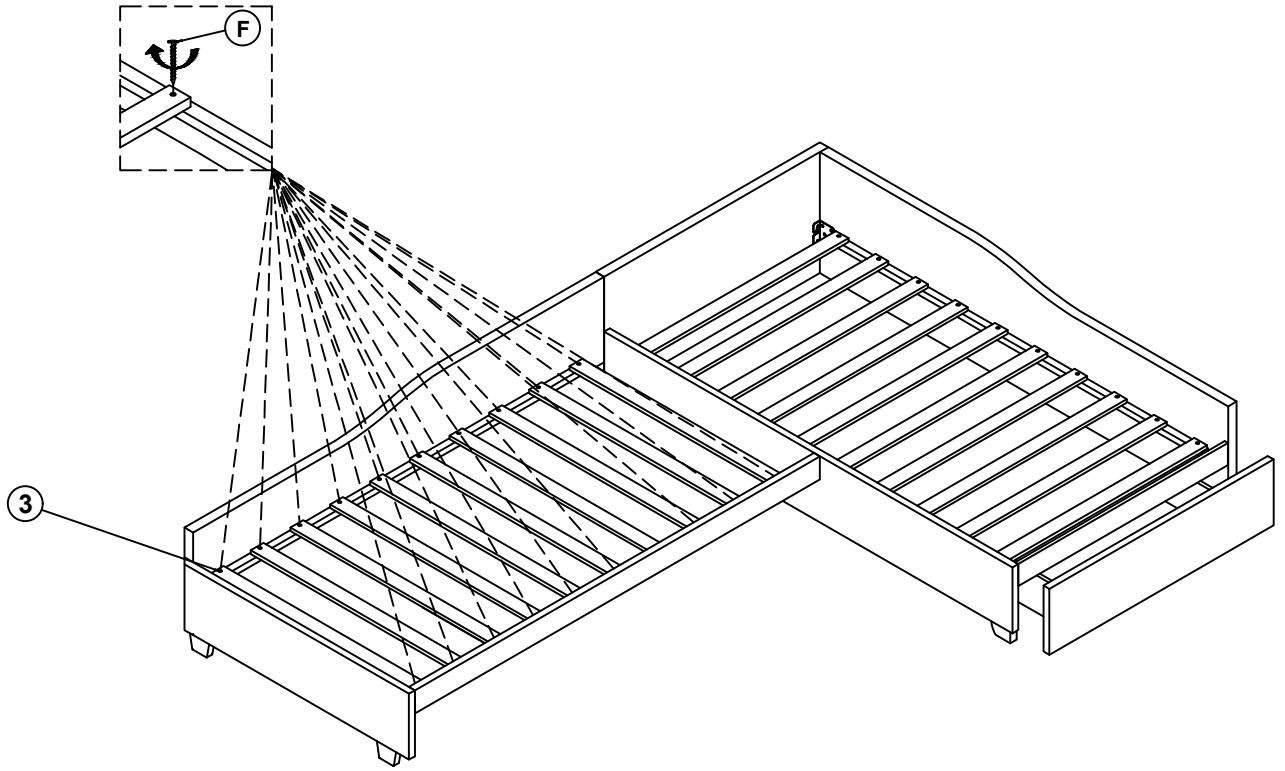
STEP 17

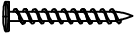


A	Bolt (Ø 5/16 "X20mm)		6pcs				
C	Bolt (Ø 5/16 "X38mm)		2pcs	G	Flat Washer (Ø 5/16 "-RBW)		8pcs
H	Spring Washer (Ø 5/16 "-RBW)		8pcs	I	Allen Wrench (M4x75mm x32mm)		1pc

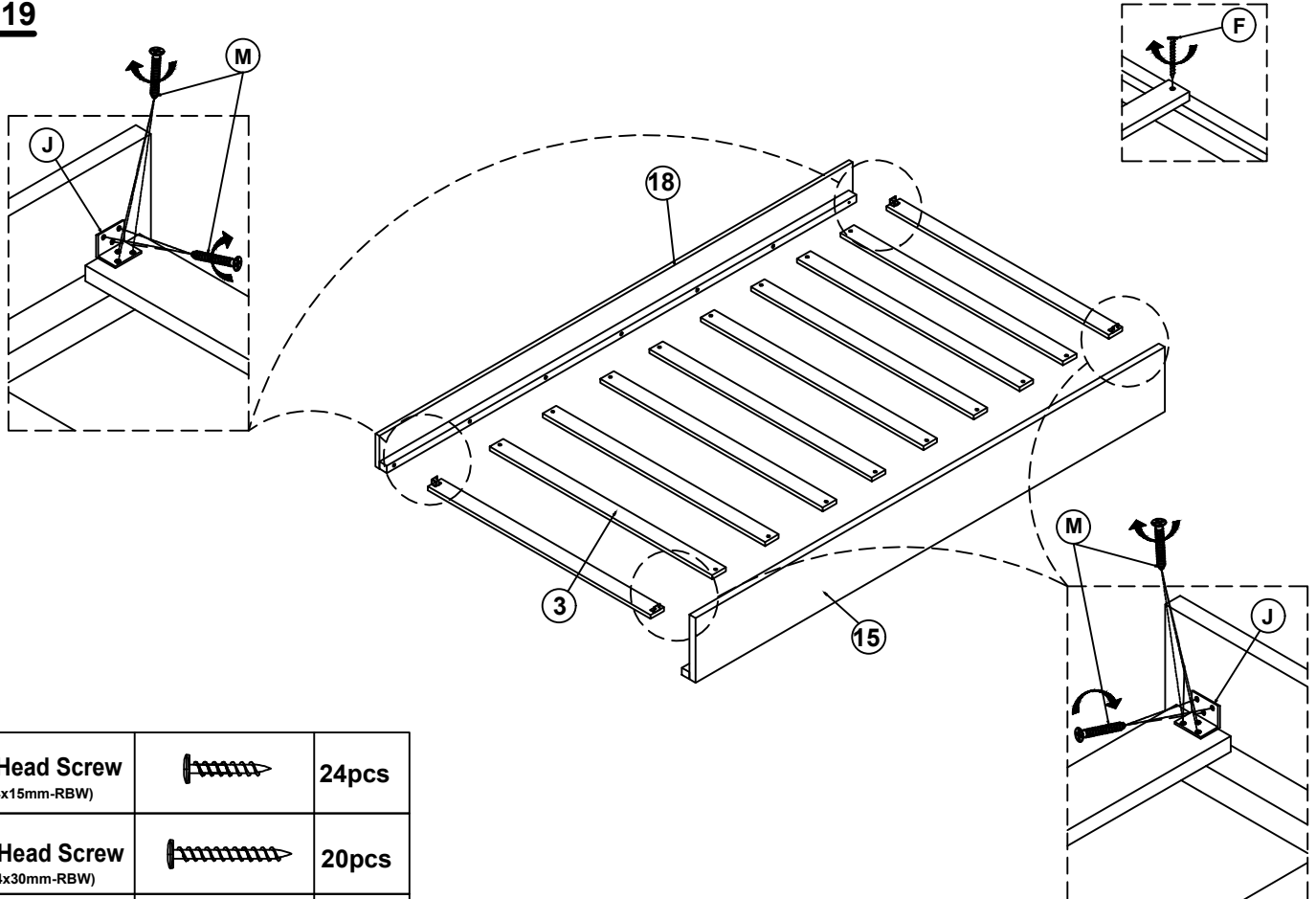
ASSEMBLY INSTRUCTIONS

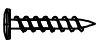
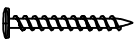

STEP 18



F	Flat Head Screw (m4x30mm-RBW)		20pcs
---	----------------------------------	---	-------

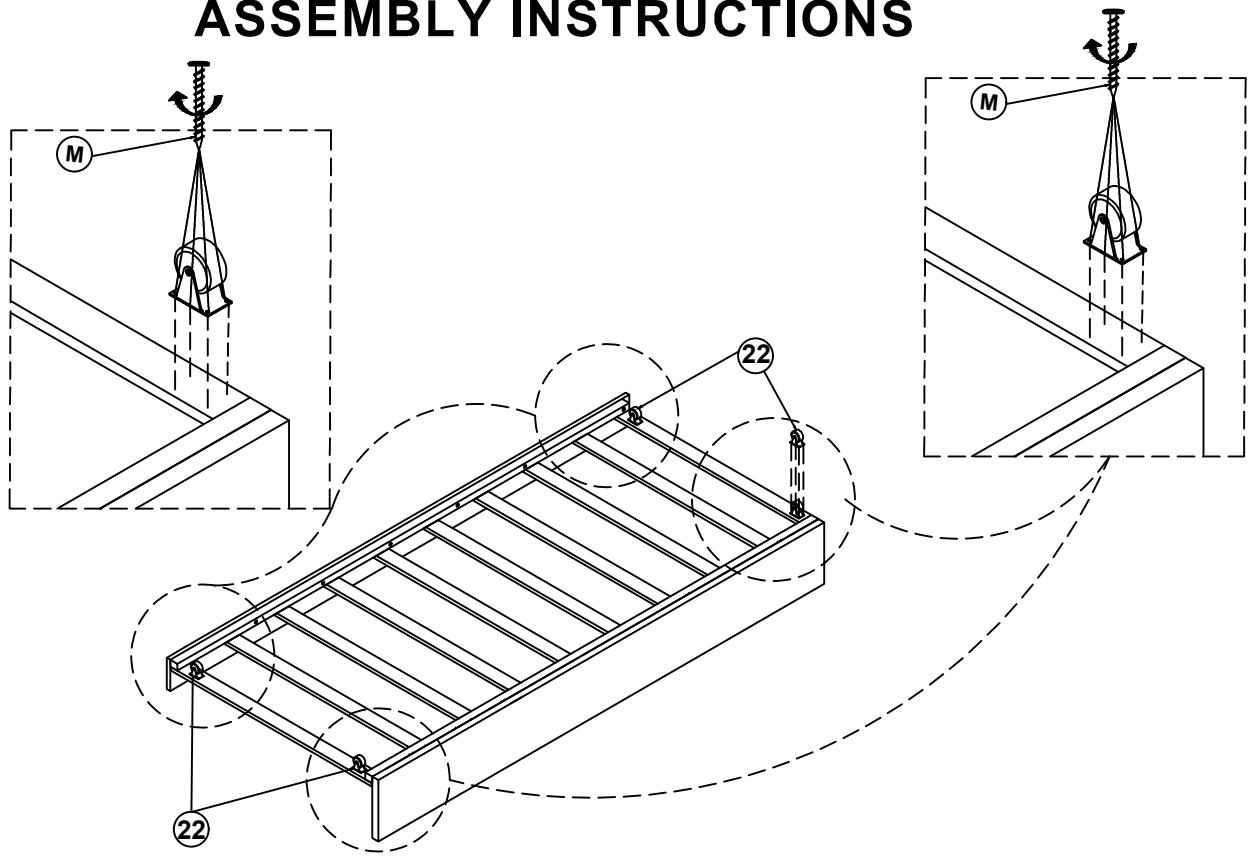
STEP 19

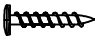


M	Flat Head Screw (m4x15mm-RBW)		24pcs
F	Flat Head Screw (m4x30mm-RBW)		20pcs
J	Square Patch (38mmx38mmx25mmx2mm)		4pcs

ASSEMBLY INSTRUCTIONS

STEP 20



M	Flat Head Screw (m4x15mm-RBW)		16pcs
---	----------------------------------	---	-------

STEP 21 COMPLETE

