

ASSEMBLING & INSTALLATION INSTRUCTIONS

The drawing shown may not exactly match the product enclosed. However, the installation instructions do apply to this product.

- ◆ **WARNING! SHUT POWER OFF AT FUSE OR CIRCUIT BREAKER.**
- ◆ **ATTENTION! COUPER LE COURANT AU FUSIBLE OU UN DISJONCTEUR.**

ASSEMBLING THE FIXTURE (Fig.1).

1. Shut off the power at the circuit breaker and remove old fixture from ceiling, including the old single bar.
2. Carefully unpack new fixture and lay all the parts on a clear surface.
3. Determine the desired hanging height and thread rods (J, I, H and/or G, F) to the lamp body (P). Feed the wires carefully through each rod during assembling.
4. Attach the shade (L) onto the top socket of lamp body (P), and then lock it securely with the check ring (K).
5. Attach the fastener (O) and shade (N) onto the bottom tube of the lamp body (P), and then lock it securely with the Ball Nut (M).
6. Thread loop (C) into the crossbar (A) of the nipple until snug.
7. Attach the single crossbar (A) to the junction box using screws (B). The side of the crossbar marked "GND" must face out. **The junction box is not included.**
8. Slip loop collar (E) and the canopy (D) over the link.
9. Feed the fixture wires through the loop (C) and nipple and pull until taut.
10. Install the light bulbs (Not included) in accordance with the fixture specifications. **NOTE: DO NOT EXCEED THE SPECIFIED WATTAGE!**

CONNECTING THE WIRES (Fig.2)

1. Take the black wire from the ceiling junction box and the smooth wire leg from the fixture and twist bare ends together. Twist wire connector onto end of wire until snug.
2. Repeat same process with white junction box wire and ribbed wire leg of fixture wire. **NOTE:** Twist wires together in the same direction you twist the wire connector onto wires.
3. If your junction box has a grounding wire (green or bare copper), attach this wire and the bare copper wire from the fixture together as **step 1**. If junction box has no ground wire, attach the bare copper fixture wire to the green ground screw on the crossbar.
4. Tuck these wire connections neatly into the ceiling outlet box and then raise the canopy (D) all the way to the ceiling; then raise the loop collar (E) and thread into ceiling loop protruding through canopy.

Your installation is now complete. Return power to the junction box and test the fixture.

FIG.1

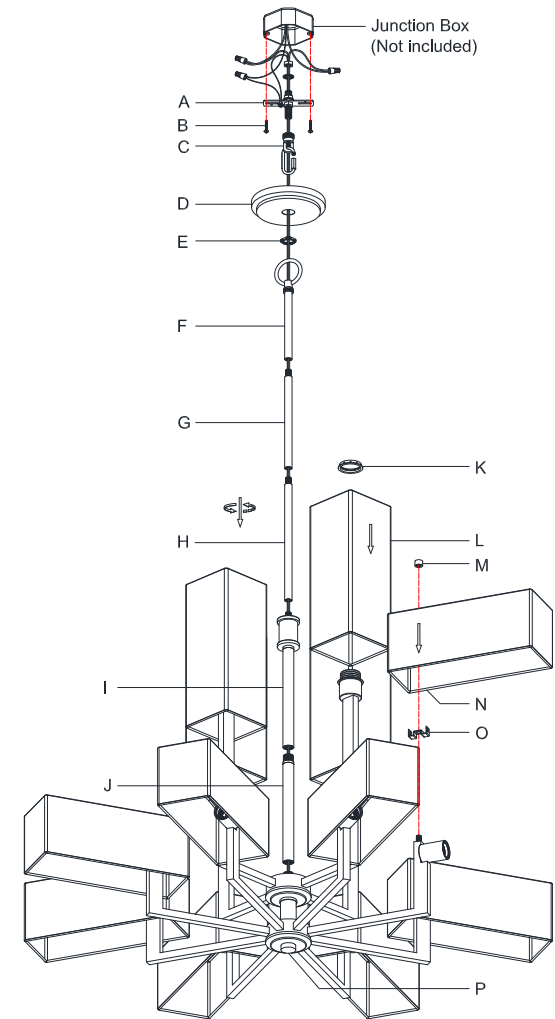


FIG.2

