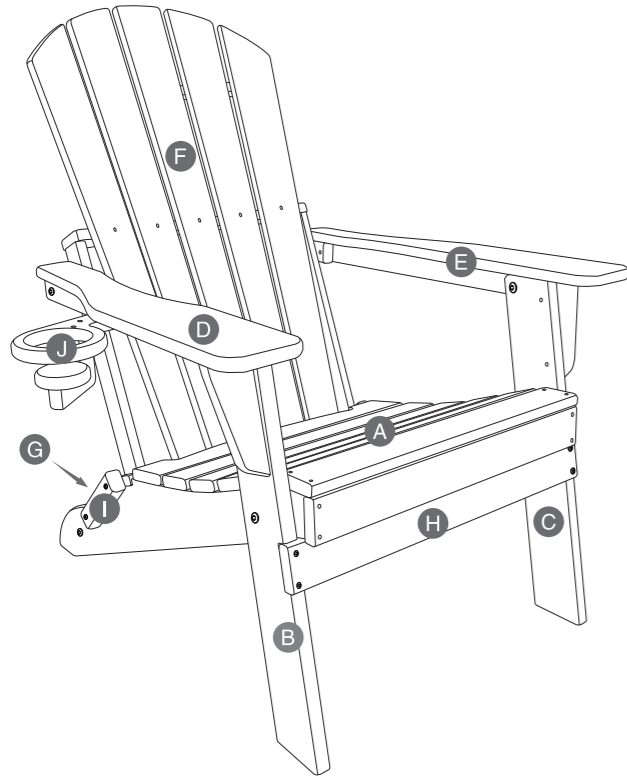


IMPORTANT

RETAIN FOR FUTURE REFERENCE READ CAREFULLY

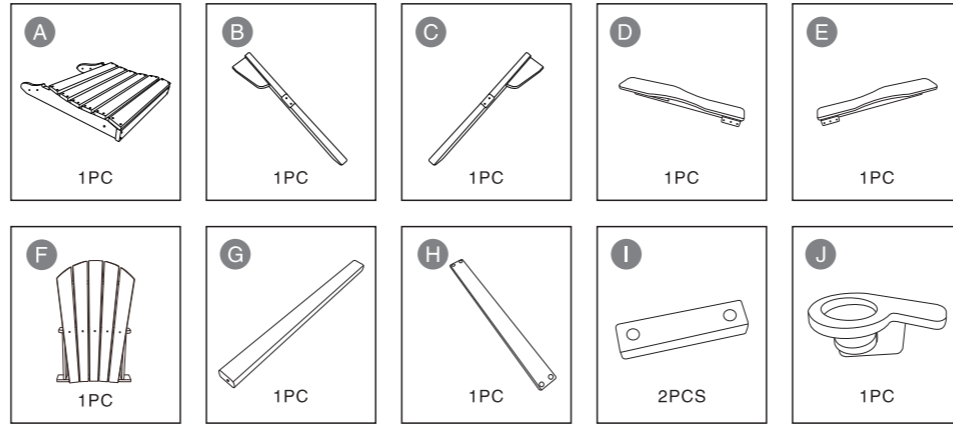
ASSEMBLY INSTRUCTIONS












Note:

1. Do not use electric screwdriver.
2. Two people are required to assemble this item. Assemble the item on a flat, solid and even surface.
3. Make sure that all the necessary parts are in the box before starting the assembly.
4. Please secure all parts and bolts loosely, only when the frame is complete should you fully-tighten the screws.
5. If any instability occurs, loosen the screws, re-align the components as necessary and retighten the screws evenly.
6. This item is not a climbing frame or toy.
7. Danger of suffocation. Keep out of reach of children.
8. **WARNING:** Be very careful when folding chair to avoid smashing your hands or fingers.

Parts List



1 M6 x 80mm BOLT  2PCS	2 M6 x 60mm BOLT  4PCS	3 M6 x 50mm BOLT  2PCS	4 M6x33mm SCREW  1PC	5 M6 x 40mm SCREW  8PCS
6 M6 WASHER  8PCS	7 M6 NUT  8PCS	8 NO.10 SPANNER  1PC	9 ALLEN KEY  1PC	

Before beginning assembly of product, make sure all parts are present. Compare parts with package content list.

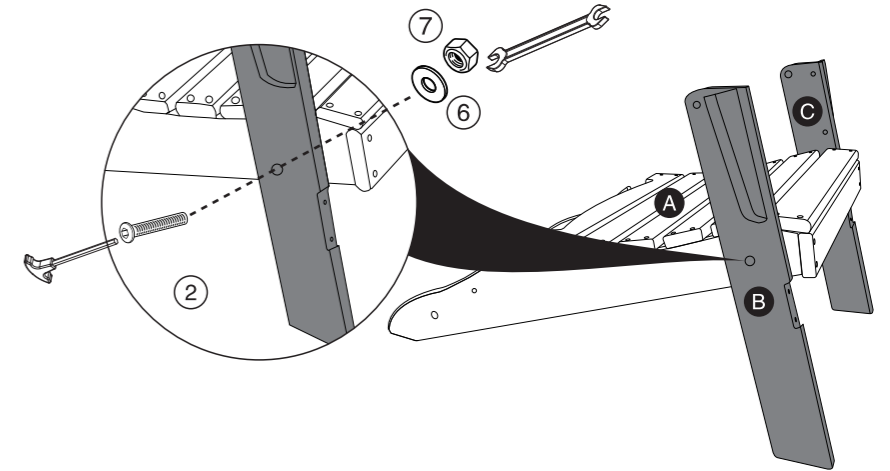
If any part is missing or damaged, do not attempt to assemble the unit.

The following stabilization bar of the Part A (Chair Seat) can increase the load-bearing capacity of the chair to accommodate large and heavier people.

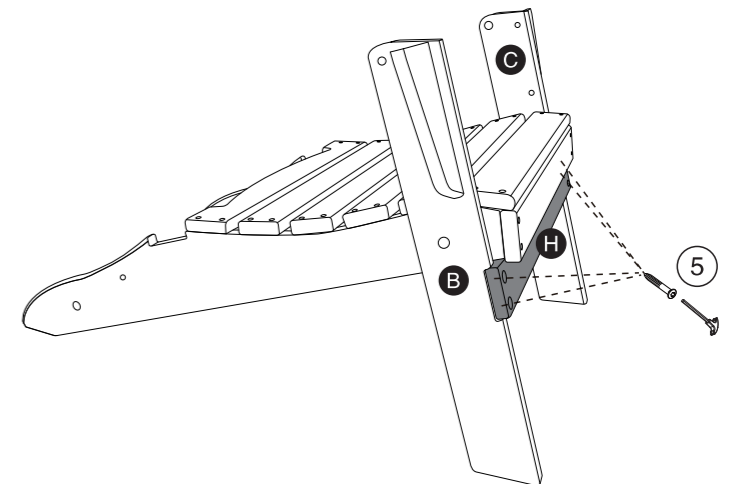
Special note: Please give priority to the A part and B, C part of the assembly B, C part of the round slider here for innovative design, can significantly extend the service life of the chair.

Assembly Instructions

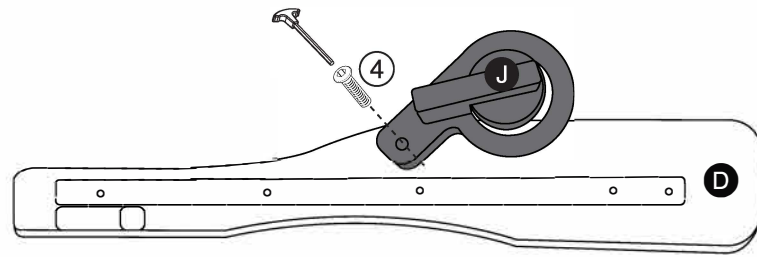
Step 1: Please place the round high-strength plastic sliders of **Parts B** and **C** into the grooves on each side of **Part A** and make them fit tightly. Attach **Part B** (Right Chair Leg) and **Part C** (Left Chair Leg) to **Part A**(Chair Seat)with **Hardware ②**(M6 × 60mm Bolt), **⑥** (WASHER) and **⑦** (NUT).



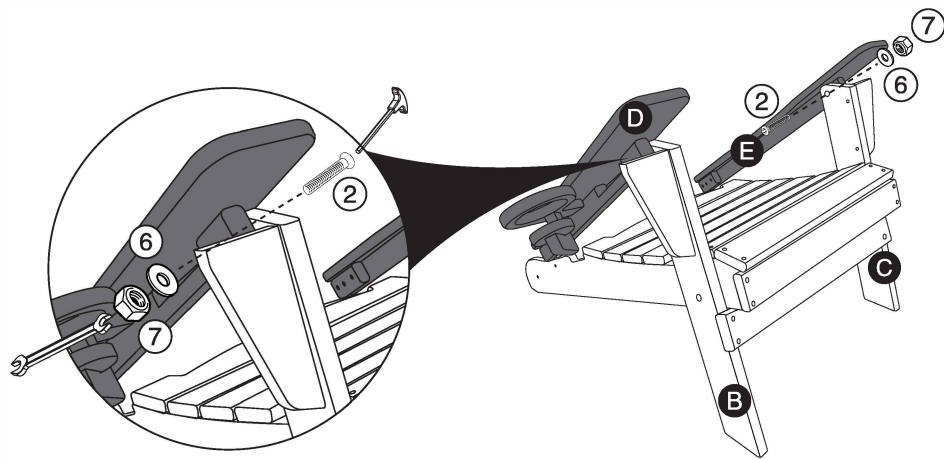
Step 2: Secure **Part H** (Front Rail) to **Part B** (Right Chair Leg) and **Part C** (Left Chair Leg)using **Hardware ⑤**(M6 × 40mm Screw). Assembly is complete.



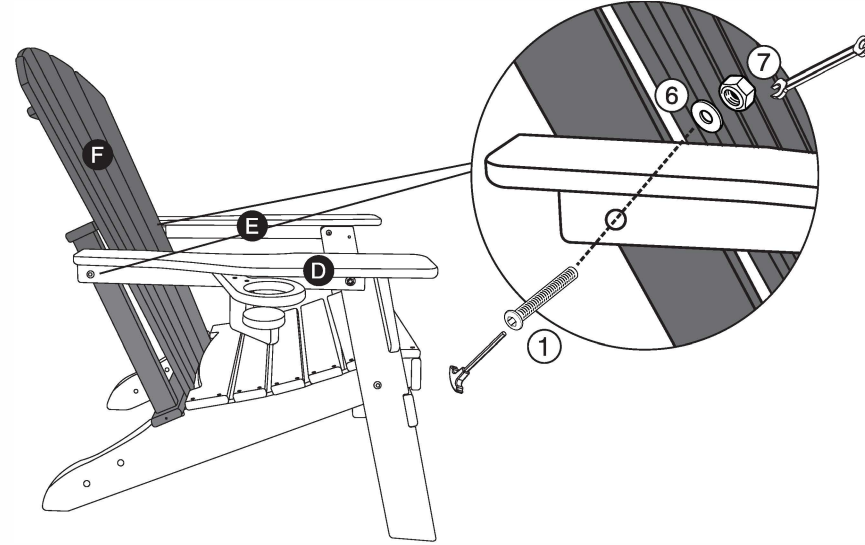
Step 3: Secure **Part J** (Cup holder) to **Part D** (Right Chair Arm) using **Hardware ④** (M6 × 33mm Screw).



Step 4: Secure **Part D** (Right Chair Arm) to the right leg, and attach **Part E** (Left Chair Arm) to the left leg, using **Hardware ②** (M6 × 60mm Bolt), **⑥** (Washer) and **⑦** (Nut).



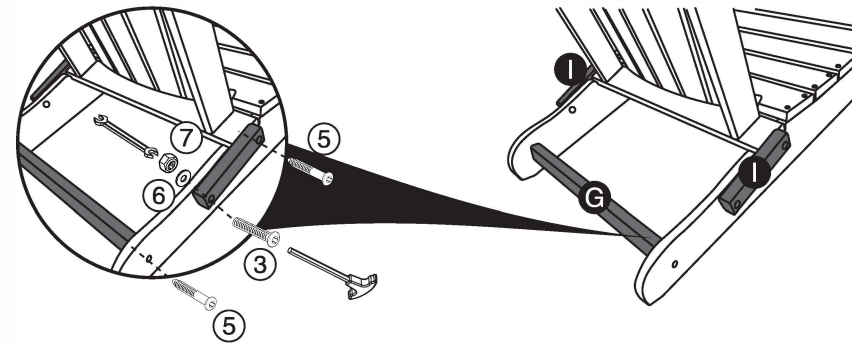
Step 5: Attach **Part F** (Chair Backrest) to the armrests using **Hardware ①** (M6 × 80mm Bolt), **⑥** (Washer) and **⑦** (Nut).



Step 6: Connect **Part G** (back Rail) to the seat panel using **Hardware ⑤** (M6 × 40mm Screw).

Secure the upper hole of part I to the back panel using **Hardware ⑤** (M6 × 40mm Screw).

Secure the lower hole of **part I** to the seat panel using **Hardware ③** (M6 × 50mm Bolt), **⑥** (Washer) and **⑦** (Nut). Repeat the **part I** assembly on the other side.



Congratulations! Assembly of your Adirondack Chair is complete.

When not in use, push the backrest of the chair forward to fold and store it.

HDPE is used as the main material, imitating the texture of wood, and the material is recyclable. The panels are slightly bent to fit the body when load-bearing to improve comfort, and gradually spring back to their original shape when not load-bearing, with excellent impact resistance and flexibility will not break.

