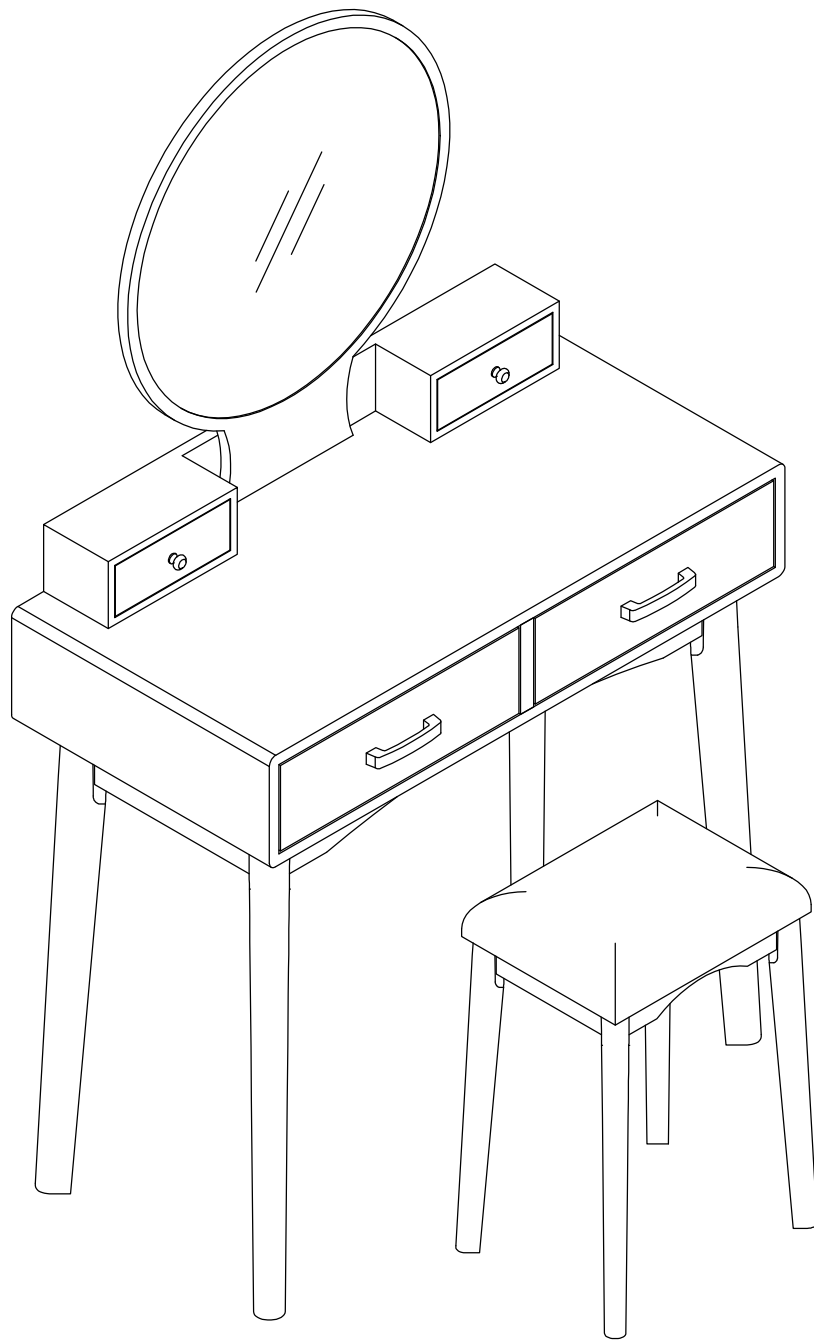


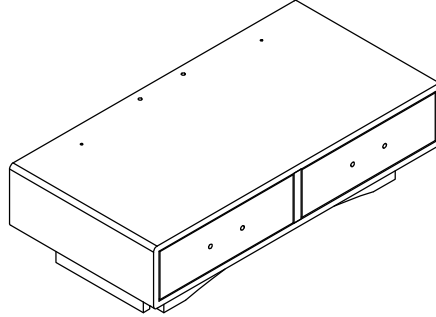
ITEM#3462 ASSEMBLY INSTRUCTIONS



# ITEM#3462 ASSEMBLY INSTRUCTIONS

## Parts List

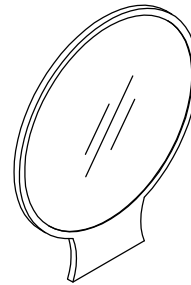
Ax1



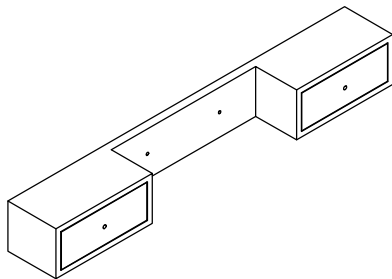
Bx4



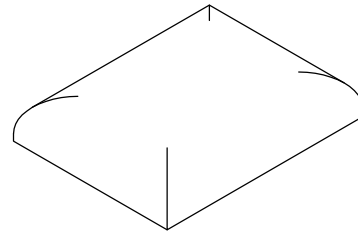
Cx1



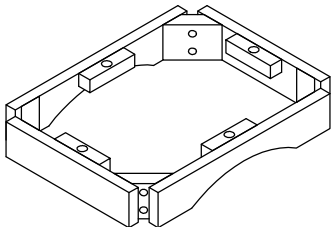
Dx1



Ex1



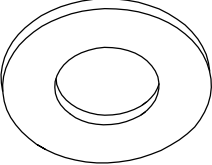
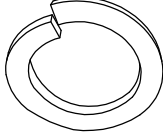
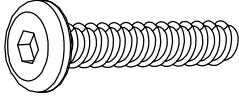
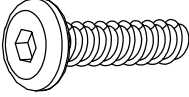

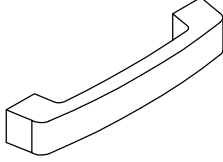

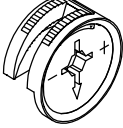
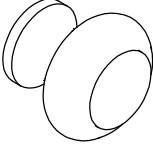

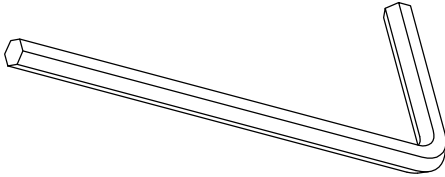
Fx1



Gx4

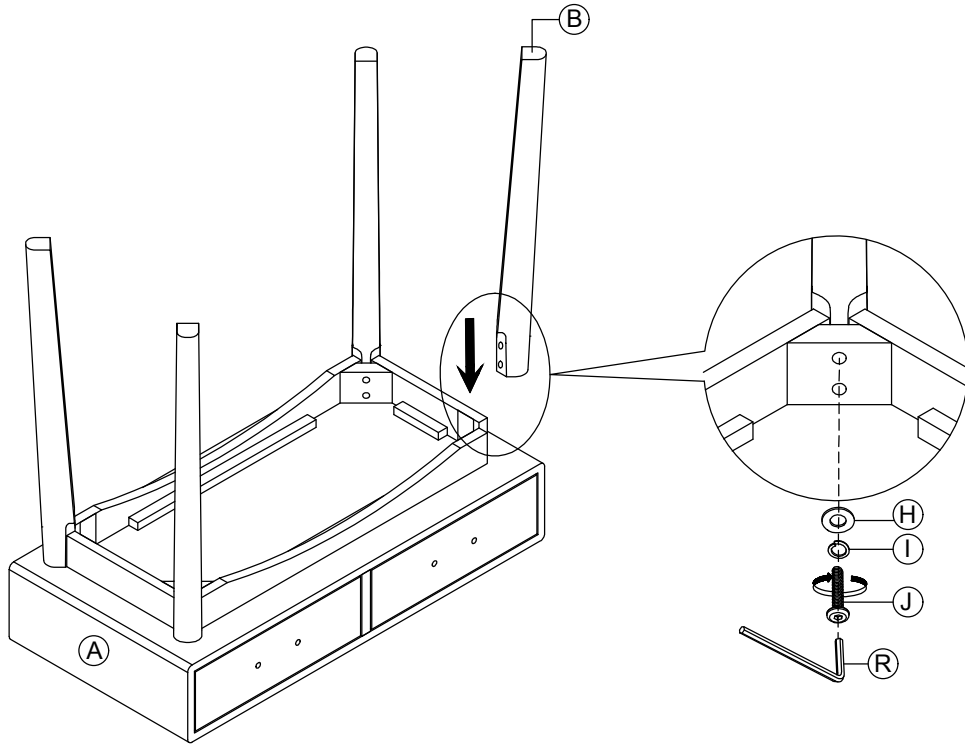


# ITEM#3462 ASSEMBLY INSTRUCTIONS

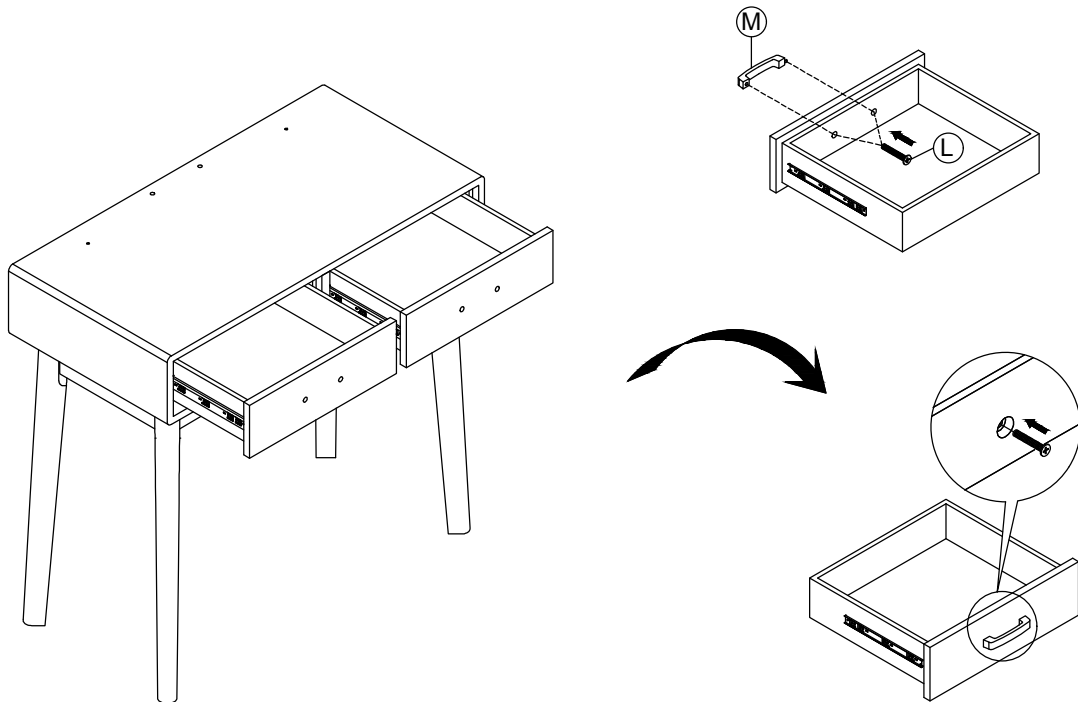
Hardware List		
<p>Hx16</p> 	<p>Ix16</p> 	<p>Jx16</p> 
<p>Kx2</p> 	<p>Lx6</p> 	<p>Mx2</p> 
<p>Nx2</p> 	<p>Ox2</p> 	<p>Px2</p> 
<p>Qx6</p> 	<p>Rx1</p> 	
<p>3 / 7</p>		

# ITEM#3462 ASSEMBLY INSTRUCTIONS

STEP 1

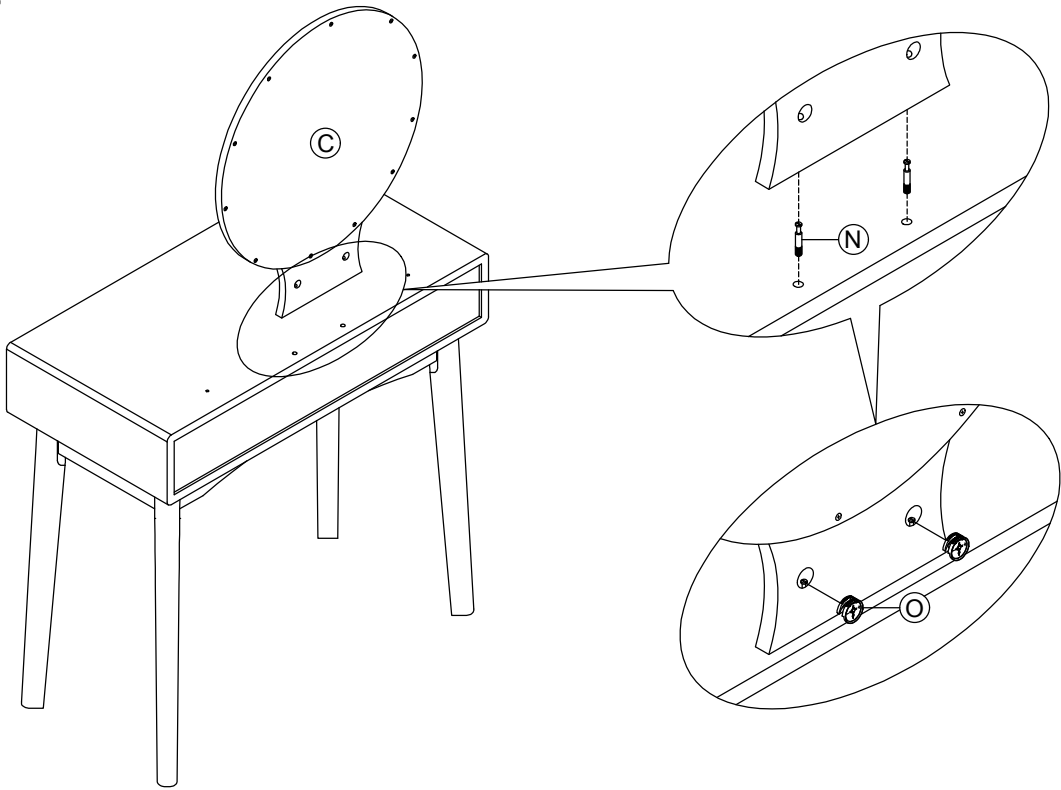


STEP 2

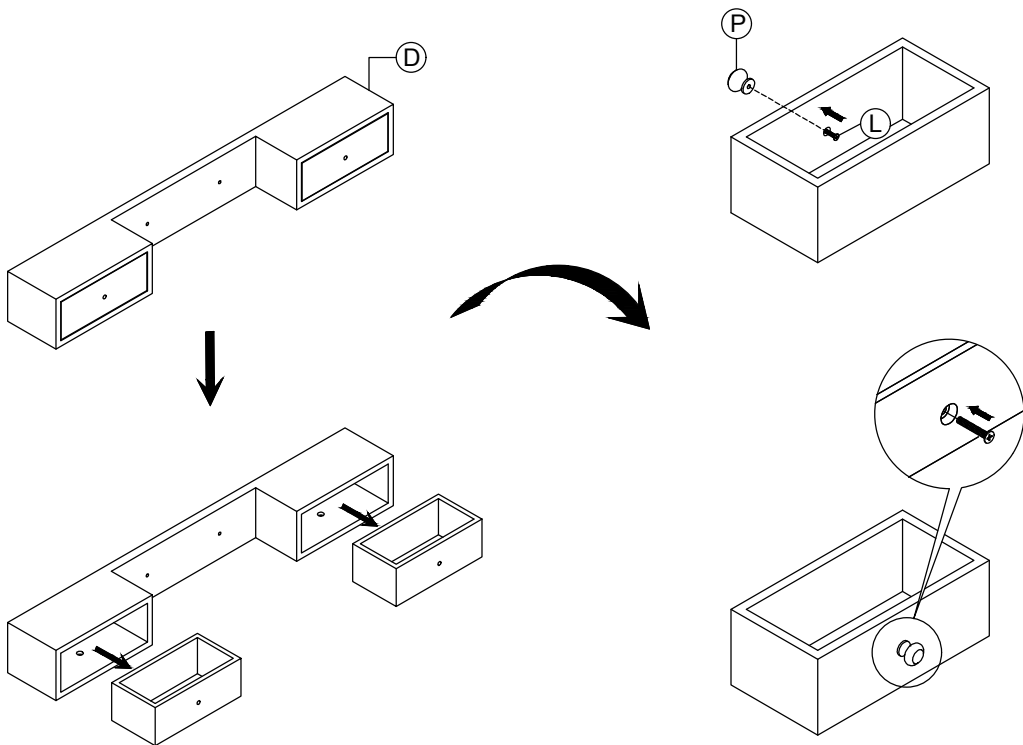


# ITEM#3462 ASSEMBLY INSTRUCTIONS

STEP 3

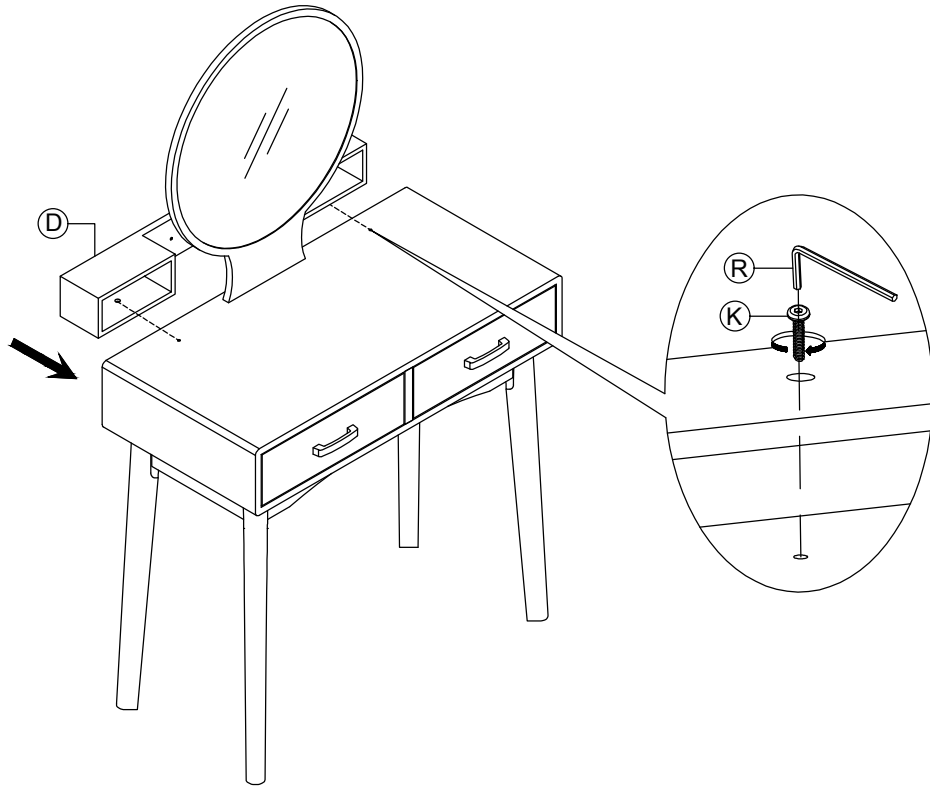


STEP 4

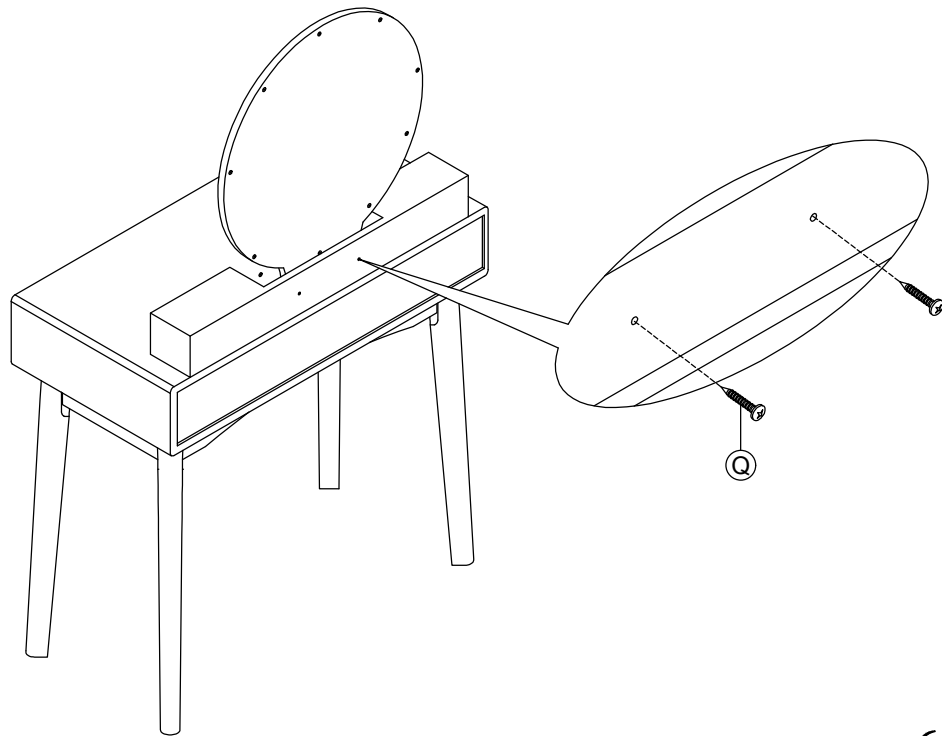


# ITEM#3462 ASSEMBLY INSTRUCTIONS

## STEP 5

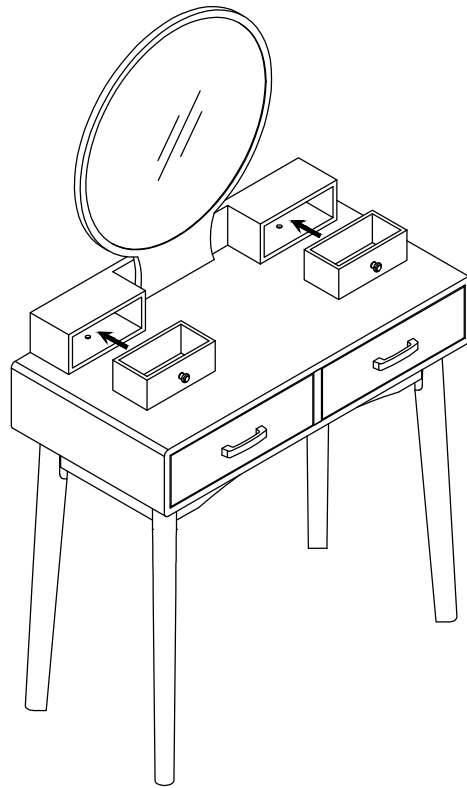


## STEP 6



# ITEM#3462 ASSEMBLY INSTRUCTIONS

## STEP 7



## STEP 8

