

! WARNING:

- Keep these instructions for future reference.
- ADULT ASSEMBLY REQUIRED.
- Constant, competent adult supervision is required when children are playing near water. Do not leave children unattended.
- This product is intended for use by children 3 years and up. Not suitable for small children under 36 months due to size.
- Prior to assembly, this package contains small parts: hardware which is a choking hazard and may contain sharp edges and sharp points. Keep away from children until assembled.
- Do not aim at eyes or face.
- Do not put any foreign objects other than the balls provided on the top assembly.
- This product is intended for outdoor domestic family use only.
- When used outdoors, only use on a grass area. Never use on concrete or hard surfaces.
- Use this product on a level surface and avoid using near swimming pools, on or near steps, hills or inclines.
- Keep area around the product clean, and clear of objects, to prevent slips and falls.
- To prevent tipping and potential injury, do not attempt to stand this unit up without first filling the base with 40 lbs. (18Kg) of sand (not included). The unit may fall over without weight in the base.
- Do not allow children to sit, stand play or climb on the top surface. Failure to do so may cause the product to become unstable.
- Intended for use with water and supplied balls only.
- Never use with anything except clean hose water. Use of other liquids may be harmful or damage the unit.
- Always disconnect and drain hoses and let the unit completely dry before storing.

IMPORTANT INFORMATION

- Please save sales receipt for proof of purchase.
- Thoroughly dry unit before storing. Store out of direct sunlight.
- DISPOSAL: Disassemble and dispose of equipment in such a manner that no hazardous condition such as, but not limited to, small parts and sharp edges exist at the time the equipment is discarded.

LIMITED WARRANTY

The Little Tikes Company makes fun, high quality toys. We warrant to the original purchaser that this product is free of defects in materials or workmanship for one year * from the date of purchase (dated sales receipt is required for proof of purchase). At the sole election of The Little Tikes Company, the only remedies available under this warranty will be the replacement of the defective part or replacement of the product. This warranty is valid only if the product has been assembled and maintained per the instructions. This warranty does not cover abuse, accident, cosmetic issues such as fading or scratches from normal wear, or any other cause not arising from defects in material and workmanship. *The warranty period is three (3) months for daycare or commercial purchasers.

U.S.A and Canada: For warranty service or replacement part information, please visit our website at www.littletikes.com, call 1-800-321-0183 or write to: Consumer Service, The Little Tikes Company, 2180 Barlow Road, Hudson OH 44236, U.S.A. Some replacement parts may be available for purchase after warranty expires—contact us for details.

Outside U.S.A and Canada: Contact place of purchase for warranty service. This warranty gives you specific legal rights, and you may also have other rights, which vary from country/state to country/state. Some countries/states do not allow the exclusion or limitation of incidental or consequential damages, so the above limitation or exclusion may not apply to you.

Please keep this manual as it contains important information.

© The Little Tikes Company, an MGA Entertainment company. LITTLE TIKES® is a trademark of Little Tikes in the U.S. and other countries. All logos, names, characters, likenesses, images, slogans, and packaging appearance are the property of Little Tikes.

Printed in China
1018-0-C

www.littletikes.com
www.littletikes.co.uk



Visit our website at www.littletikes.com to register your product and to enter our sweepstakes. (No purchase necessary)

Little Tikes Consumer Service
2180 Barlow Road
Hudson, Ohio 44236 U.S.A.
1-800-321-0183

MGA Entertainment UK Ltd
50 Presley Way
Crownhill
Milton Keynes
MK8 0ES
Bucks, UK
0800 521 558

MGA Entertainment (Netherlands) B.V.
Klipperaak 201, 2411 ND Bodergraven, NL
Tel: +31 (0) 172-758 038
E-mail: klantenservice@mga.com

little tikes®

Pop 'n Splash Surprise™

ENG

SKU: 648496C

AGES 3+ YEARS
ADULT SUPERVISION REQUIRED

ASSEMBLY PARTS

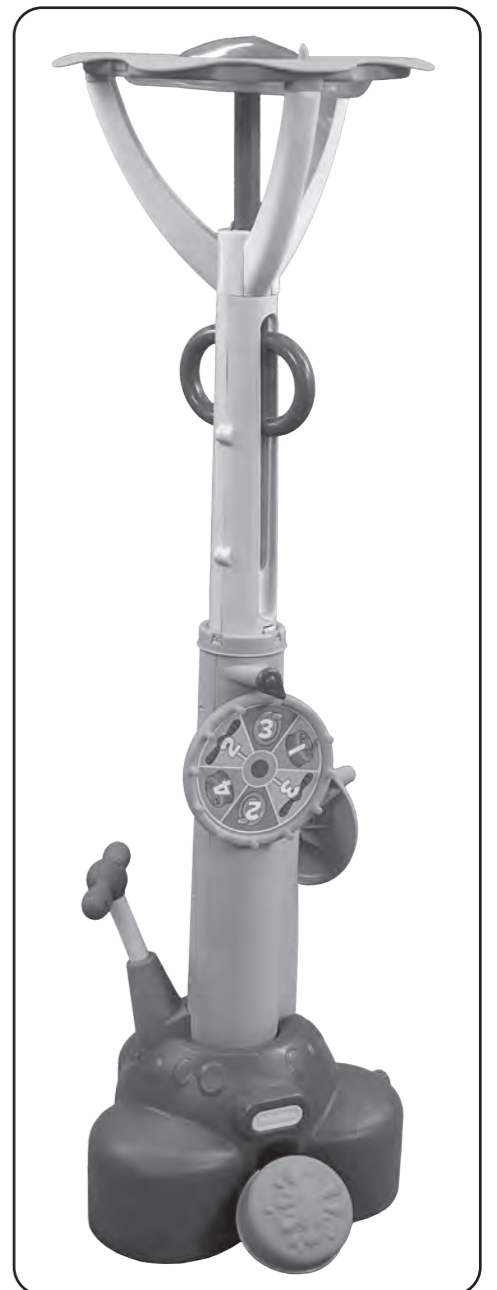
- A. (1) bottom post
- B. (1) upper post
- C. (1) base
- D. (1) top
- E. (3) pillar supports
- F. (1) foot pedal
- G. (1) pump handle
- H. (1) hand crank
- I. (1) garden hose connector assembly
- J. (21) balls

Tool required (not included)

Approx. assembly time: 15 min.

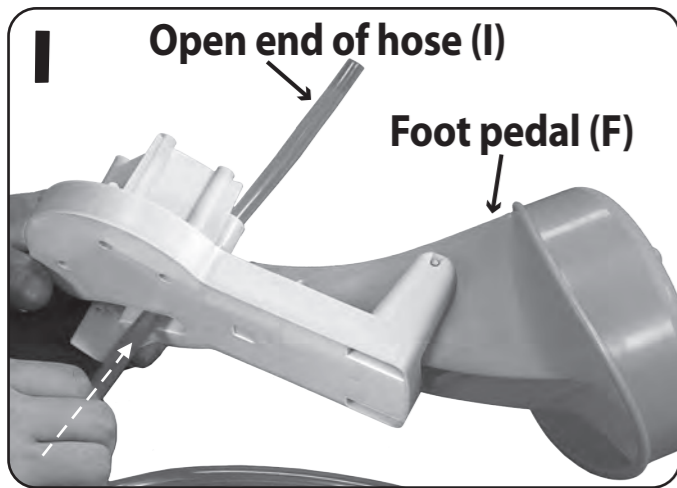
K x6

Located in hardware pack

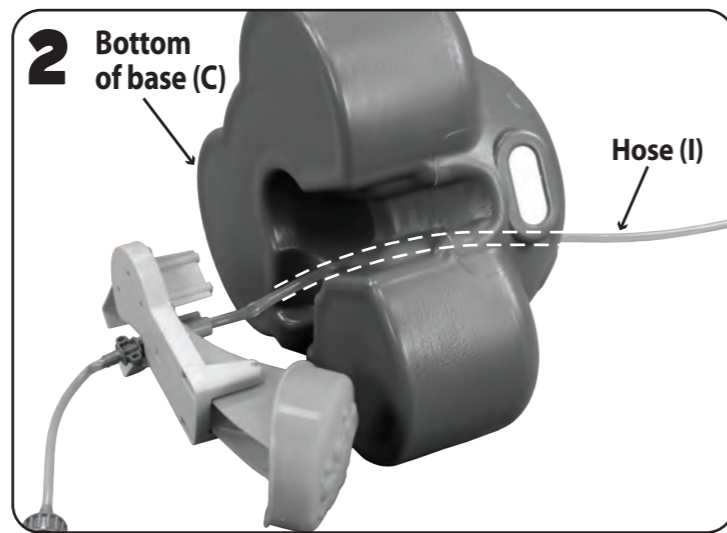


! FOR STABILITY: the Pop 'n Splash Surprise™ base should be filled with 40 lbs. (18Kg) of sand (not included) to prevent tipping and potential injury. The unit may fall over without weight in the base.

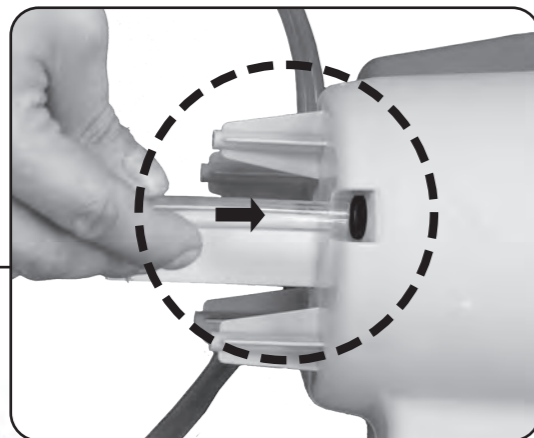
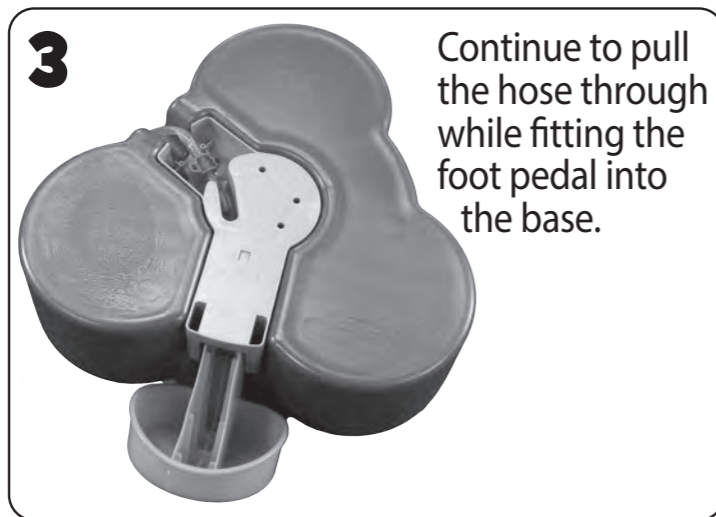
Photos are for reference only. Styles may vary from actual contents.



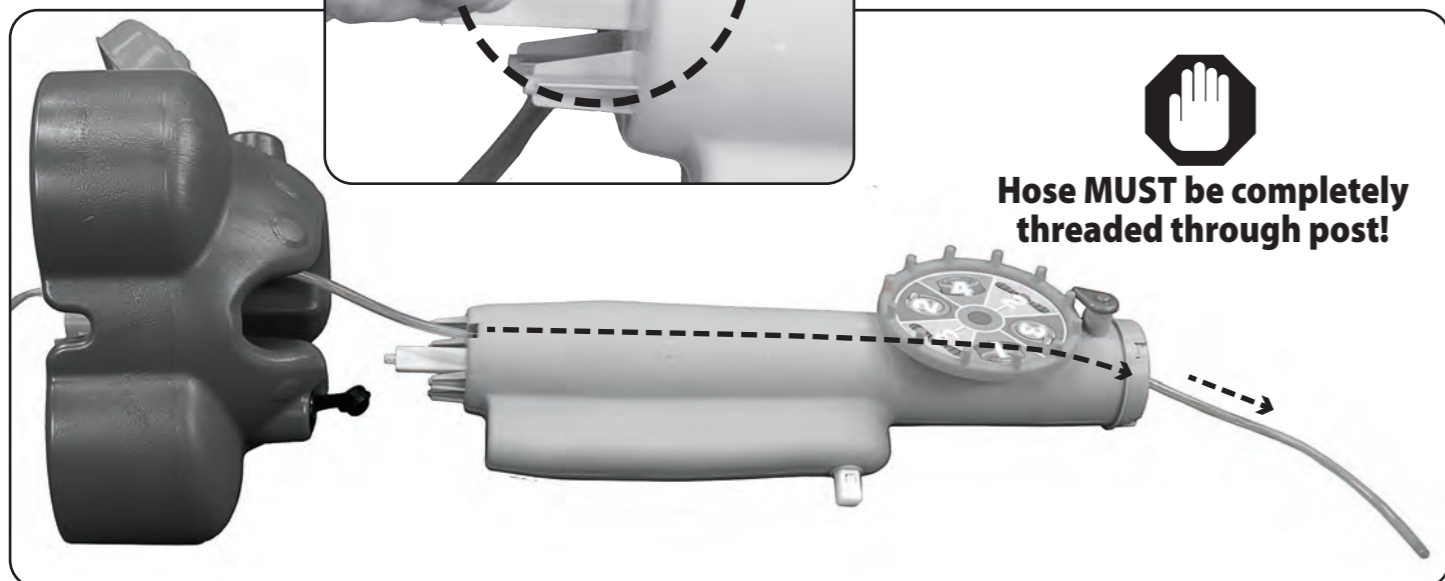
Thread hose through (flat side) of the foot pedal (F).



Thread hose through the bottom of the base (C).

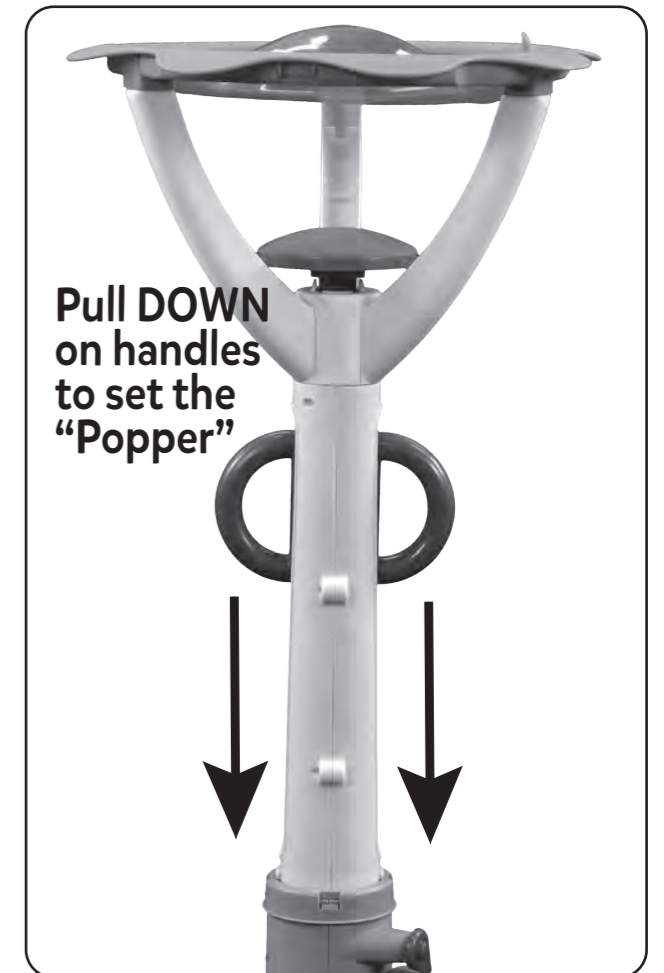
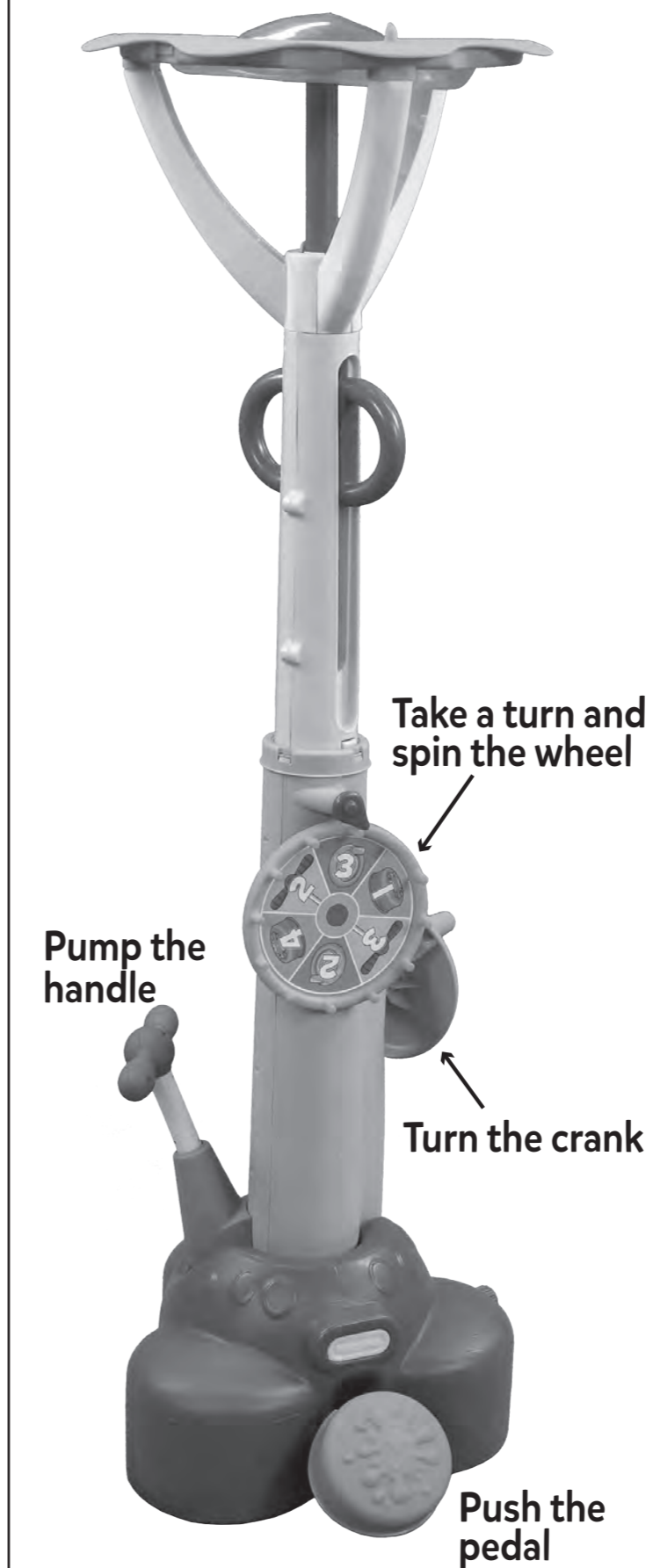


4 Lay base on its side. Position lower post on its side (as shown). Thread hose through hole located at the bottom of the lower post and out through the other end.

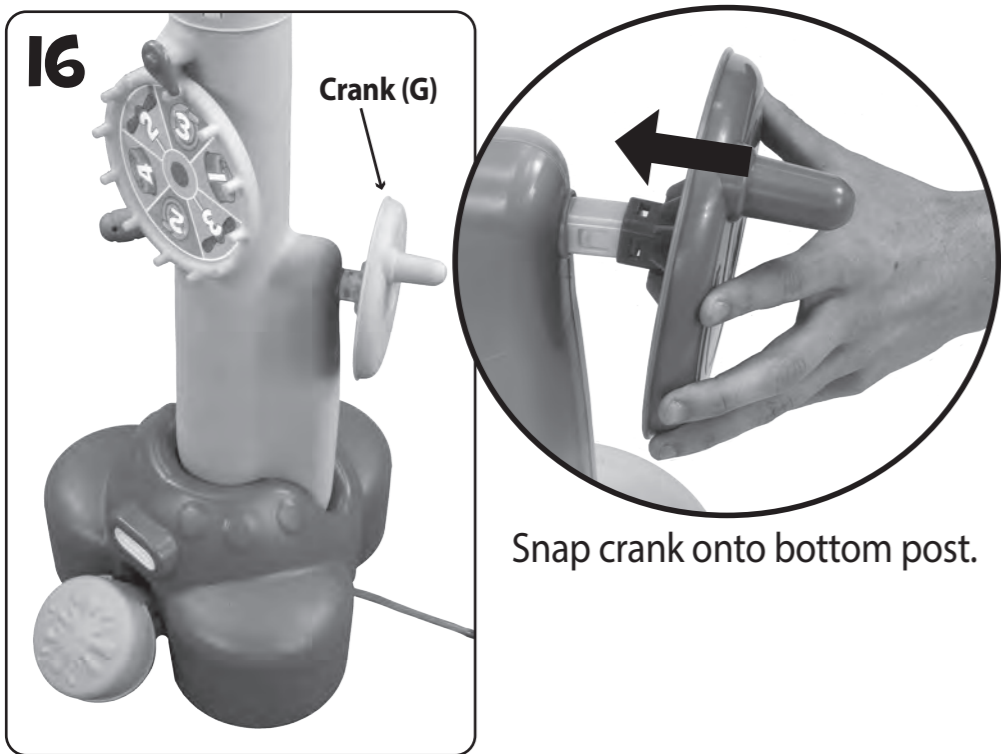


Hose MUST be completely threaded through post!

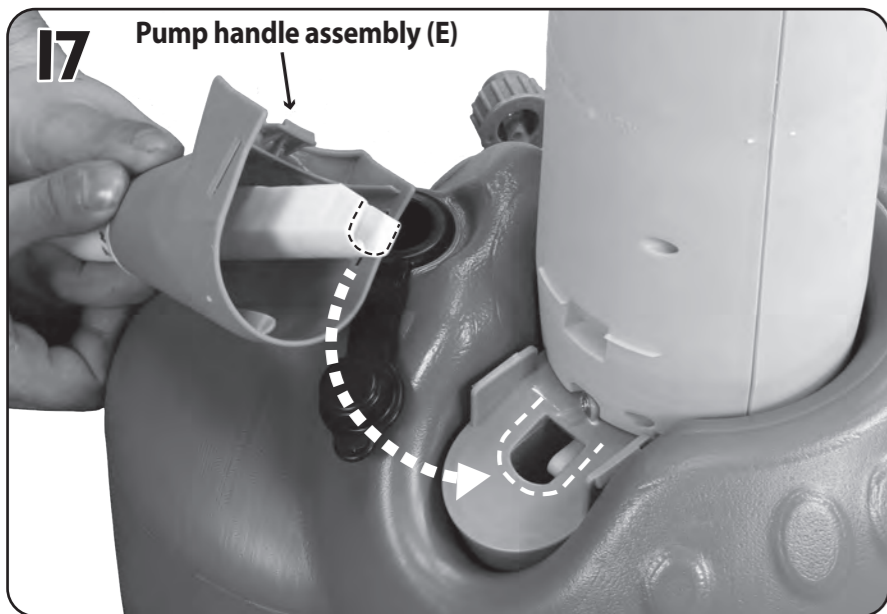
GETTING STARTED



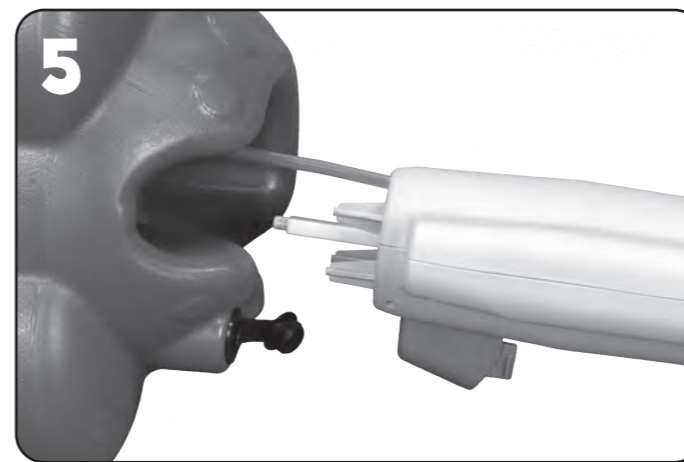
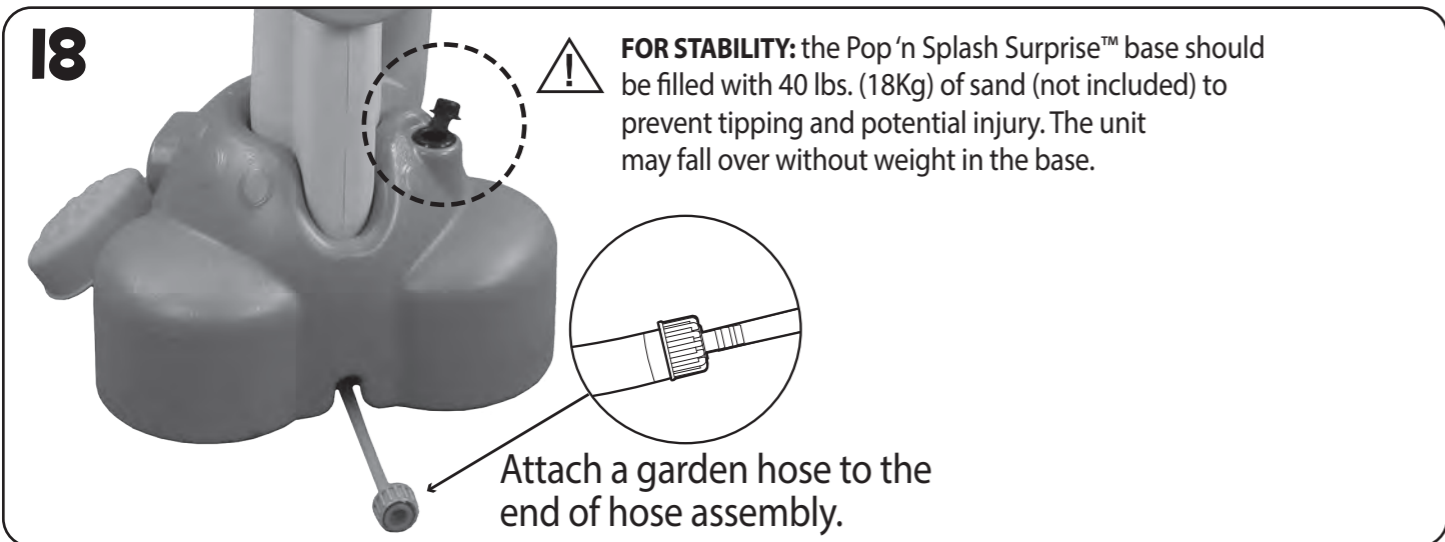
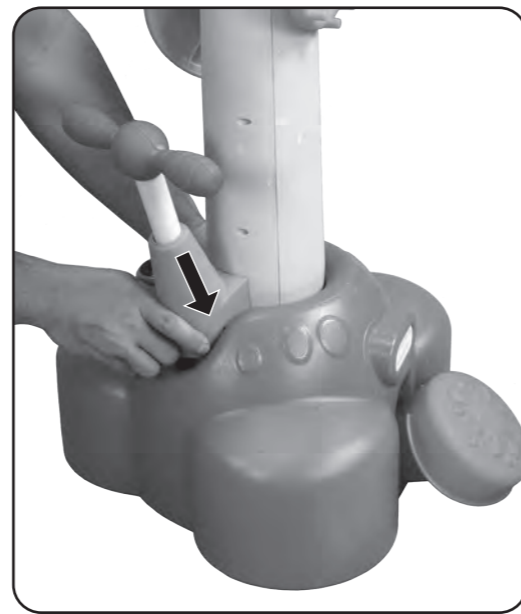
The "Popper" will launch anytime after 2 cranks, pumps or pedal pushes!



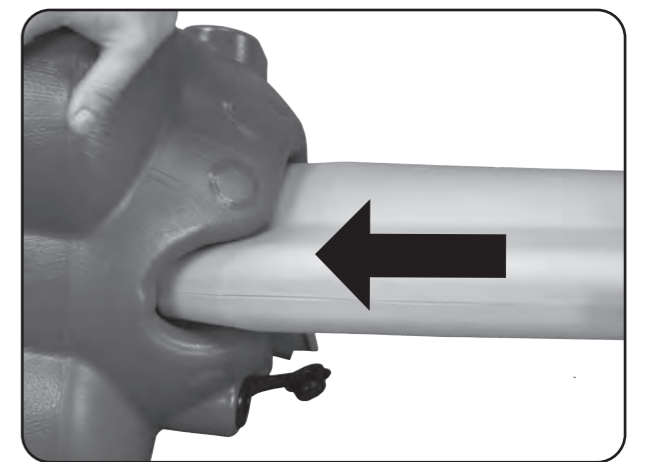
Snap crank onto bottom post.



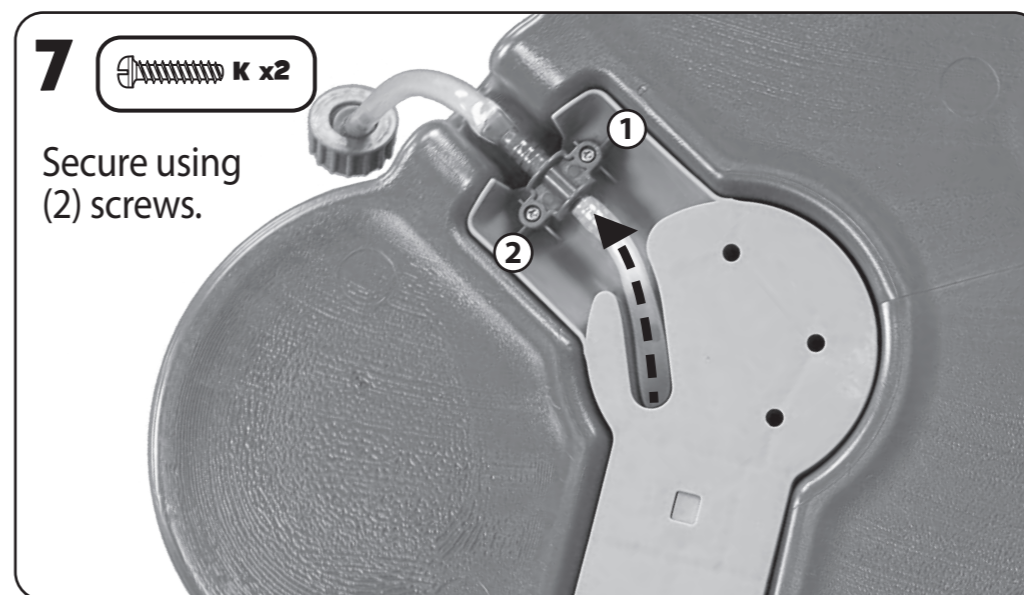
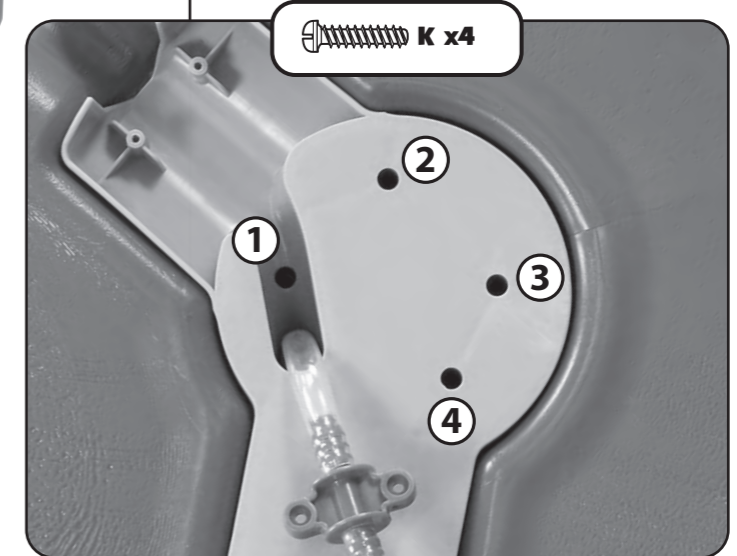
Align pump handle assembly as shown and insert into the base. Press to fit.



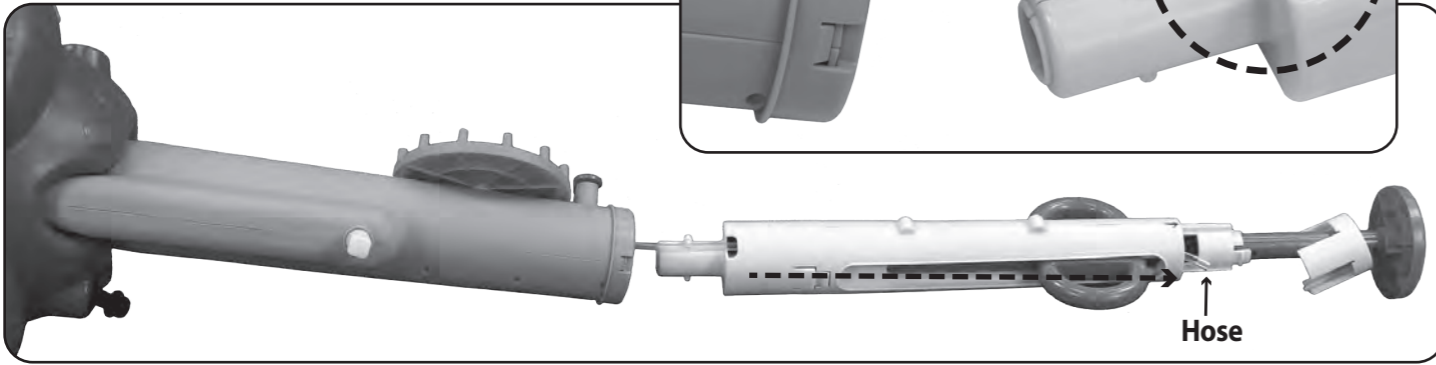
Rotate bottom post and fit into the base. **IMPORTANT:** gently pull on hose to remove slack.



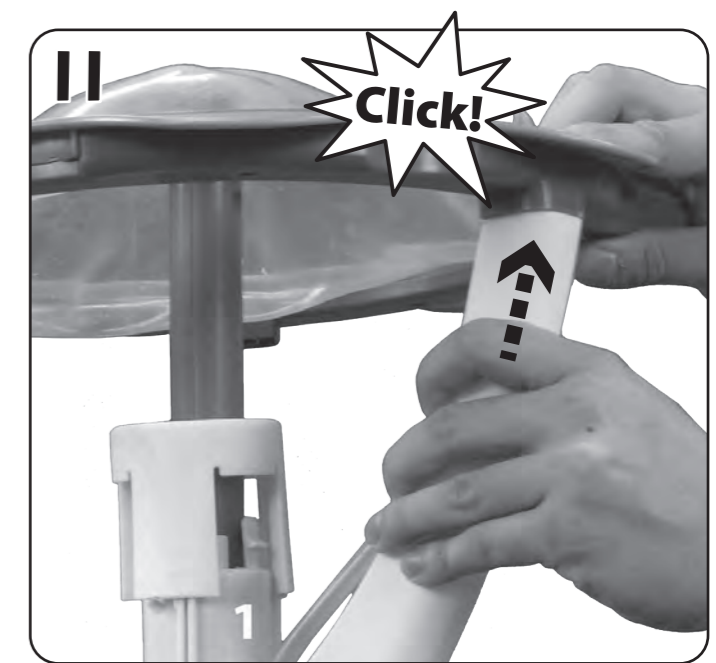
Secure using (4) screws.



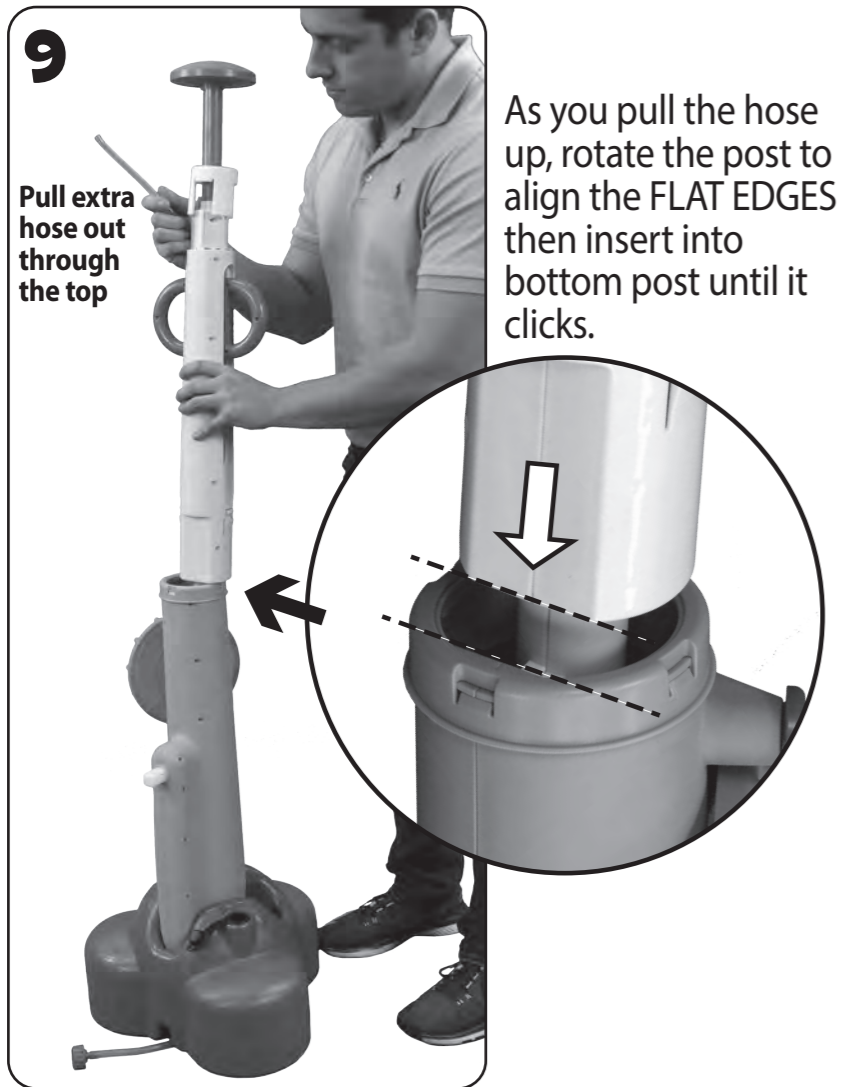
8 Position upper post on its side (as shown). Thread hose through hole located directly above the bottom of the upper post and out through the top.



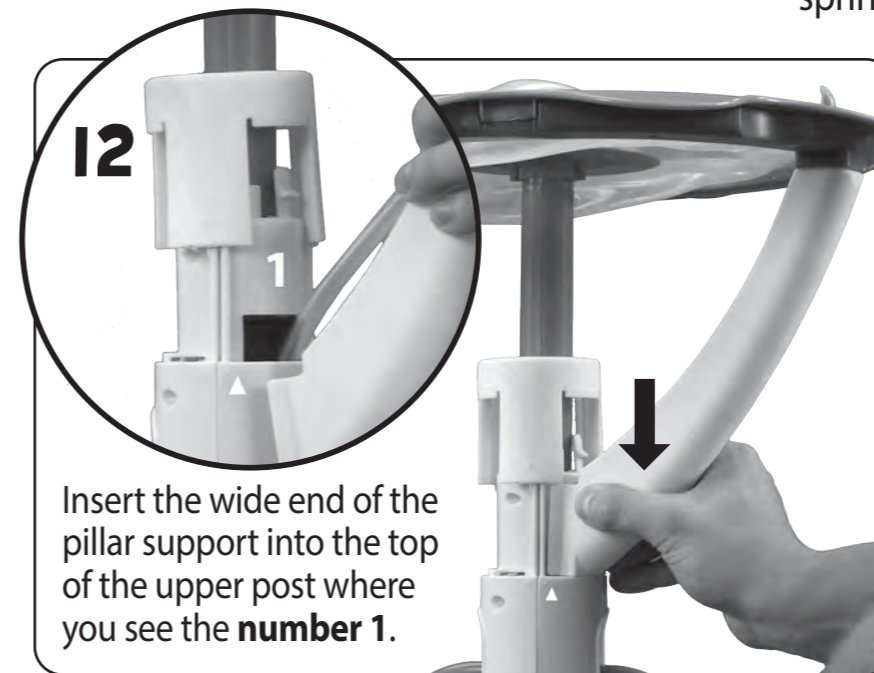
Insert hose into the sprinkler.



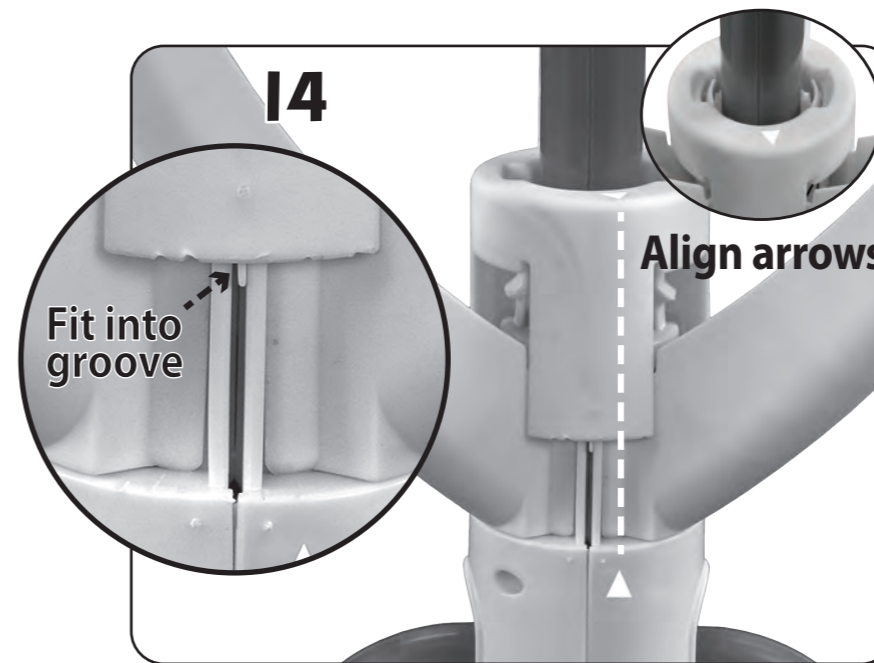
Insert the narrow end of a pillar support, around the hose and into the top, under the sprinkler. Push until you hear a click!



NOTE: If needed, upper post can be disassembled by pressing in side buttons while pulling upward on post.



Repeat for the remaining 2 pillar supports.



Slide collar down over pillar supports until it clicks.