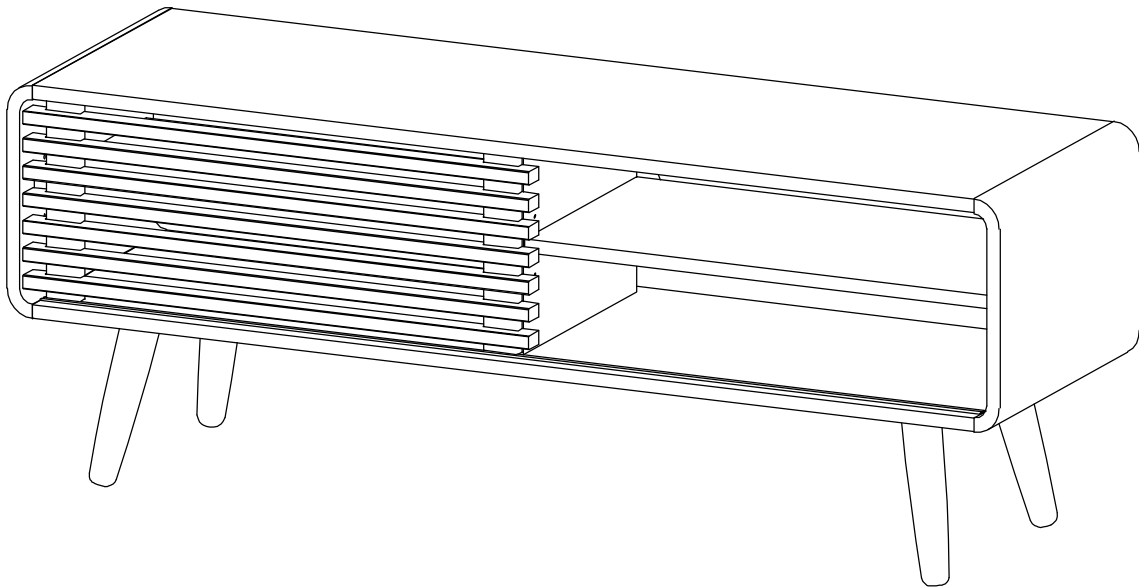
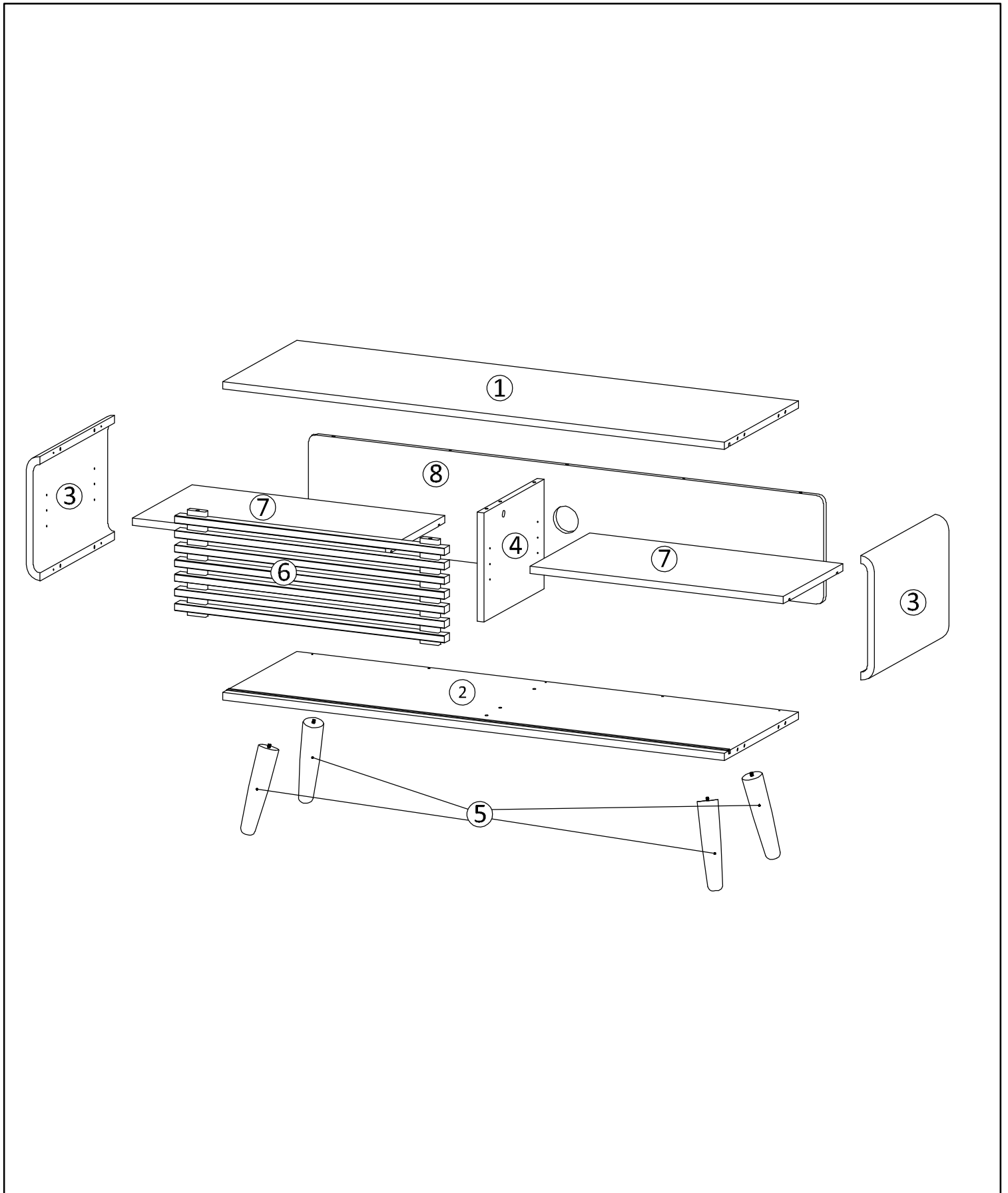


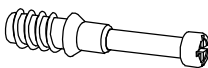




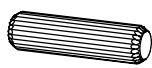




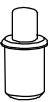



ASSEMBLY INSTRUCTIONS

46" KD SLAT LOW TV STAND





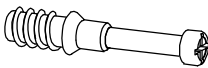

No	Size	Qty
1	1100 x 349 x 15 mm	1
2	1100 x 349 x 15 mm	1
3	350 x 256 x 30 mm	2
4	225 x 284 x 15 mm	1
5	Ø42 x 180 mm	4
6	217 x 575 x 27 mm	1
7	555 x 280 x 15 mm	1
8	1129 x 224 x 12 mm	1

A x 15 	B x 9  Ø15 mm (BIG)	C x 6  Ø12 mm (SMALL)	D x 1 
E x 1 	F x 12  Ø8 x 30 mm (BIG)	G x 8 	H x 2 
I x 4  Ø6 x 30 mm (SMALL)	J x 2 	K x 2 	L x 20 
M x 1 	N x 4 		

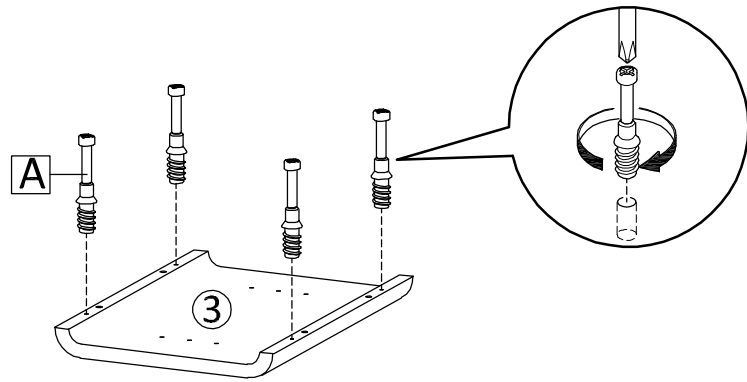
 SET-UP TIME : 60 MINUTES	 NUMBER OF PERSONS : 02	 TOOLS :  (Not Provided)
--	---	--

1

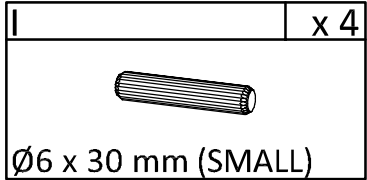
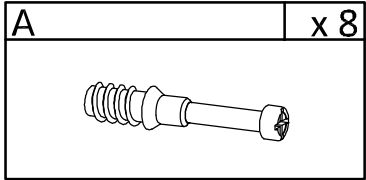
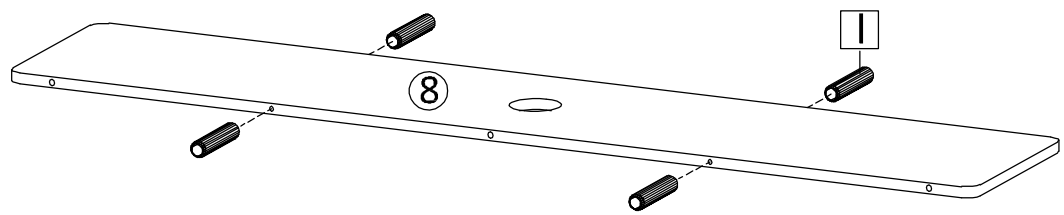
USE EPS FROM THE PACKAGING MATERIAL

A x 7 	F x 12  Ø8 x 30 mm (BIG)
---	--

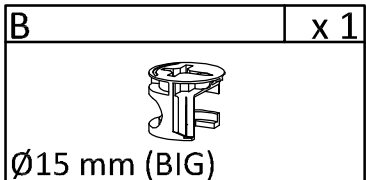
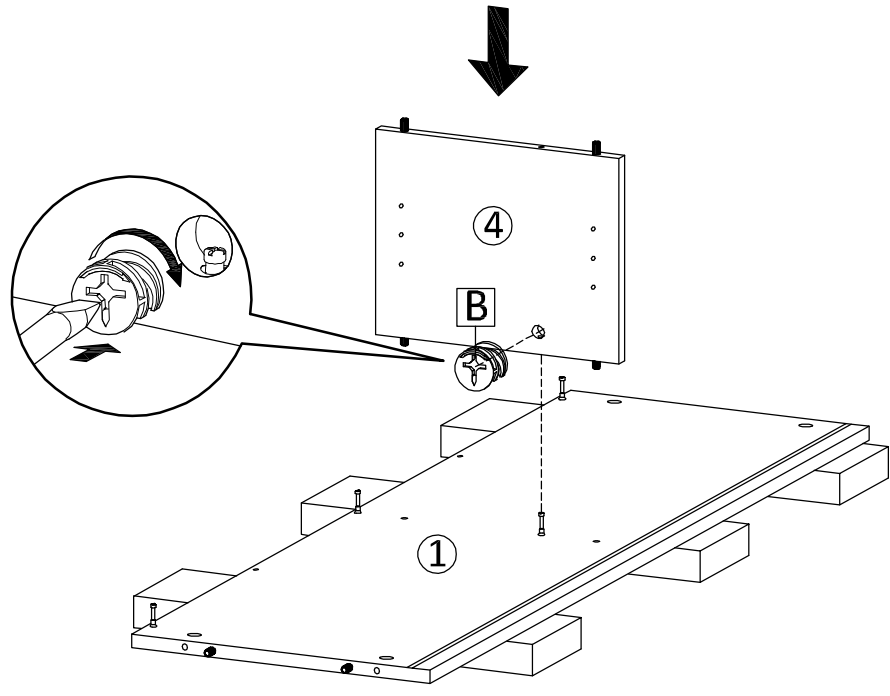
2



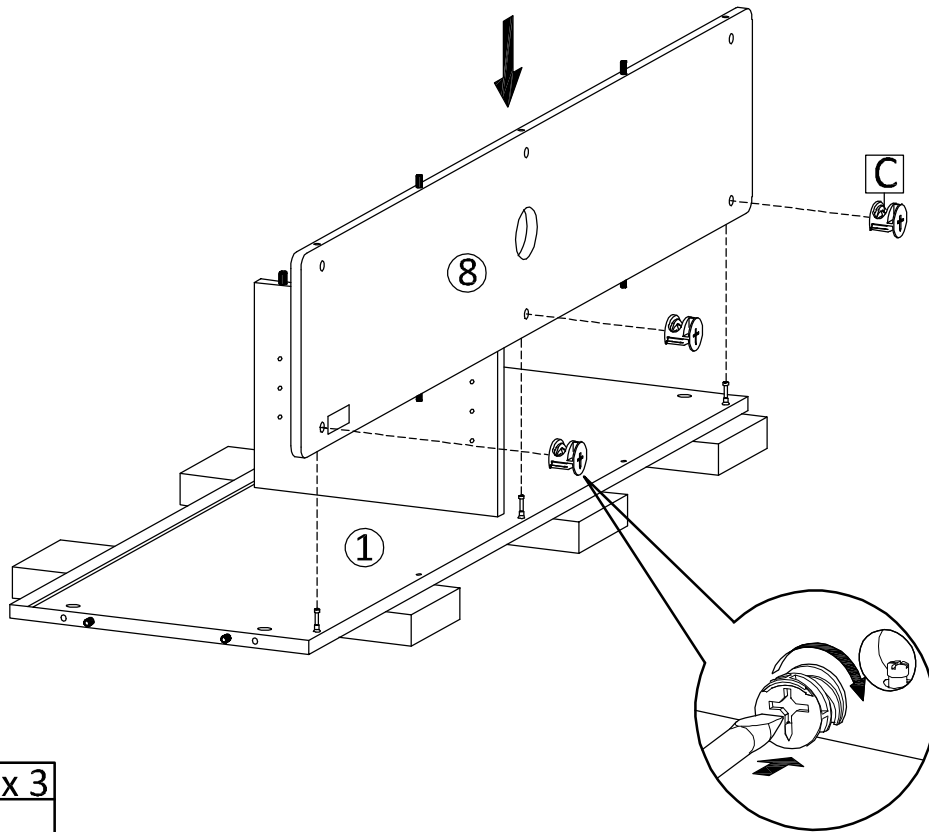
x 2



3

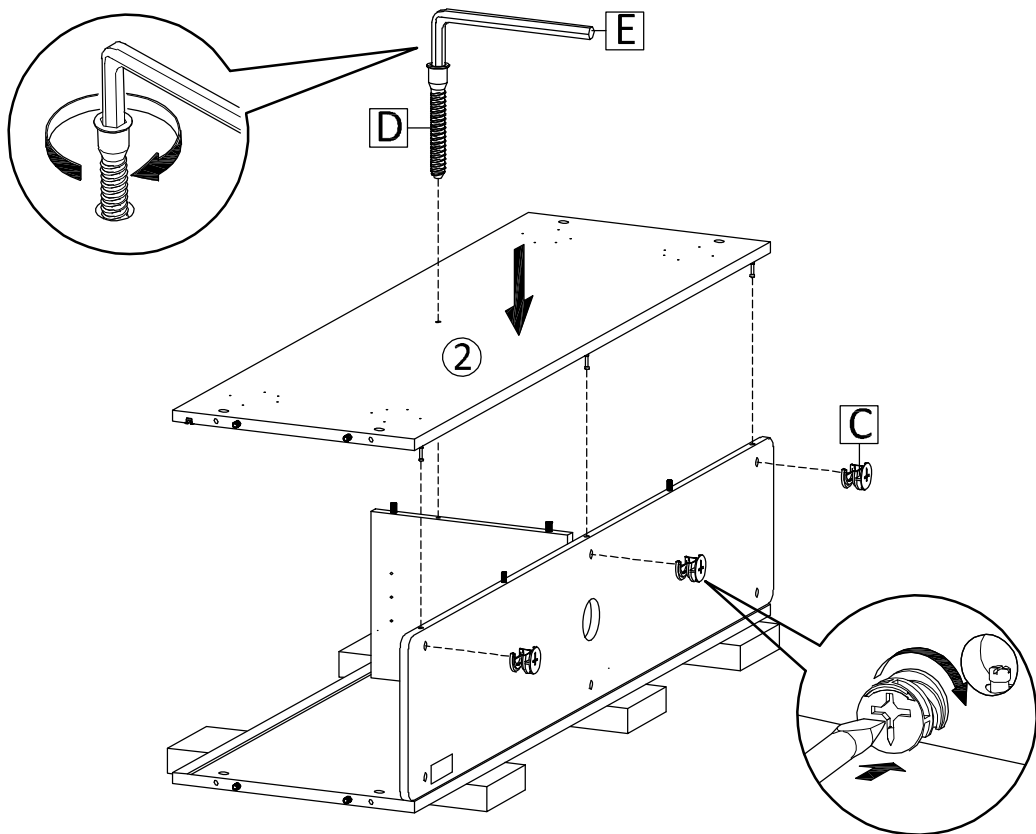


4



C	x 3
Ø12 mm (SMALL)	

5

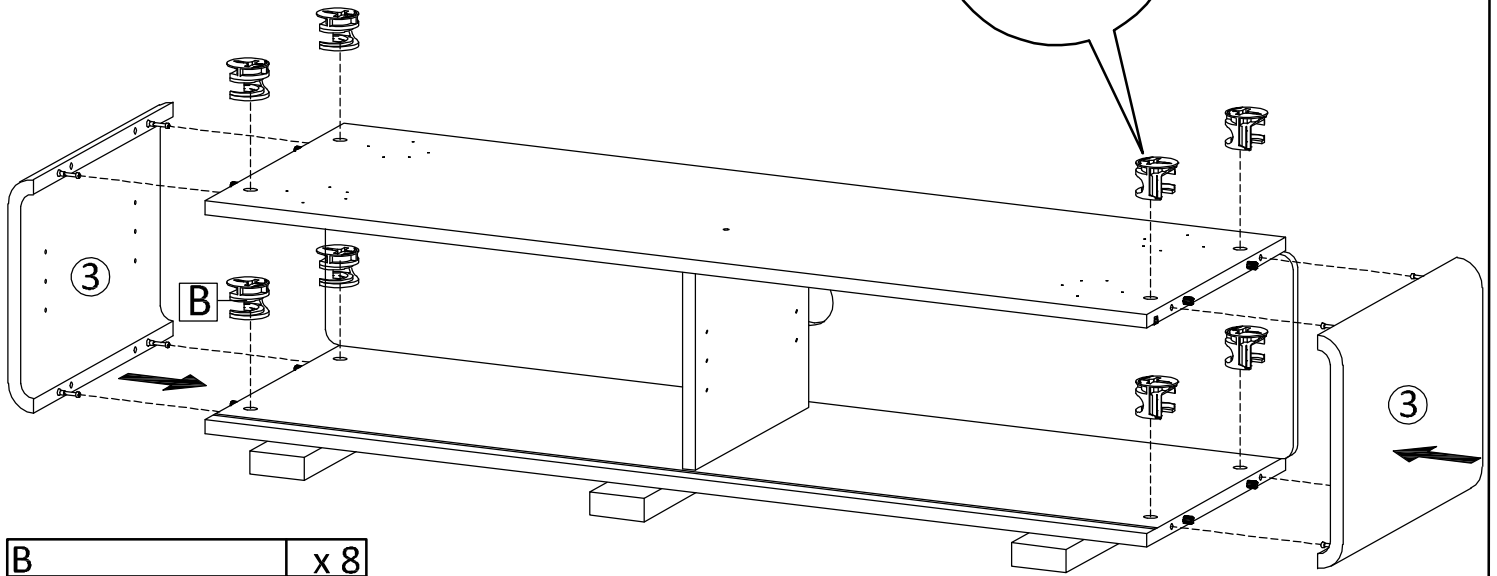



C	x 3
Ø12 mm (SMALL)	

D	x 1

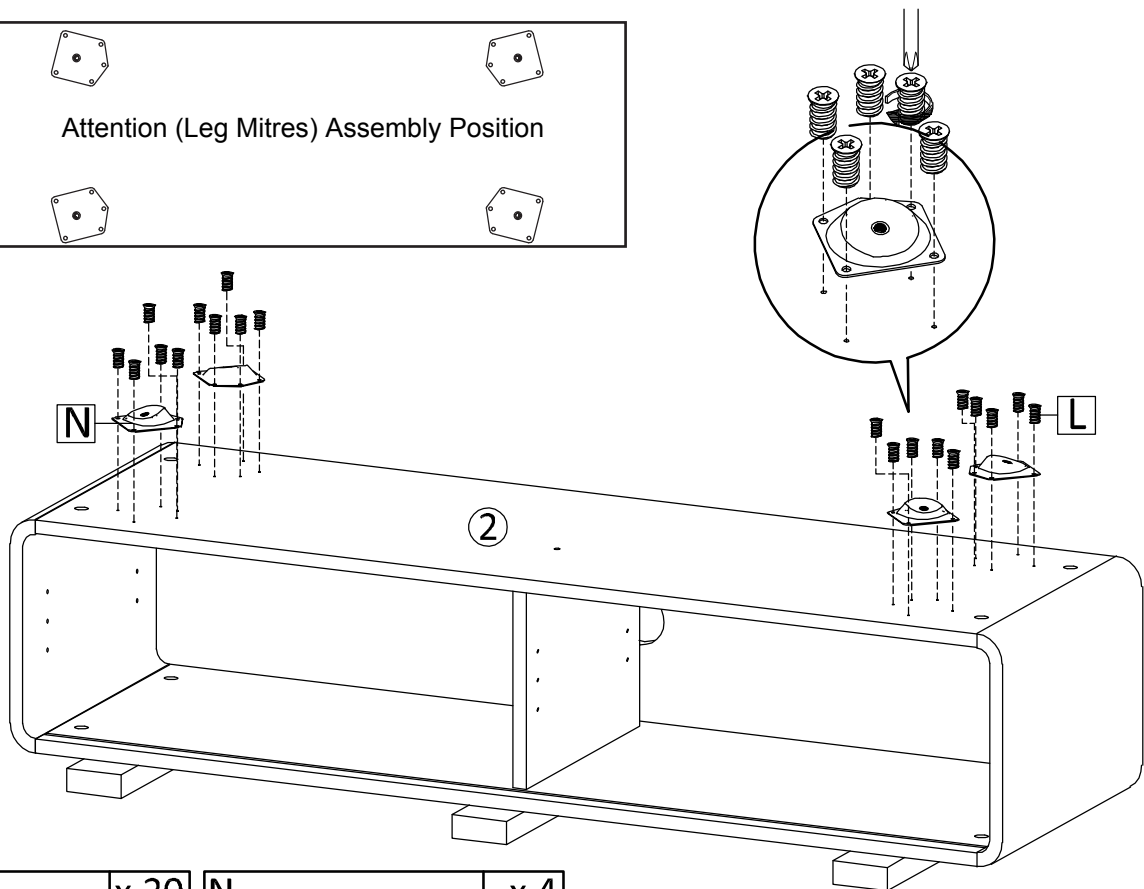
E	x 1


6




B	x 8
	
Ø15 mm (BIG)	

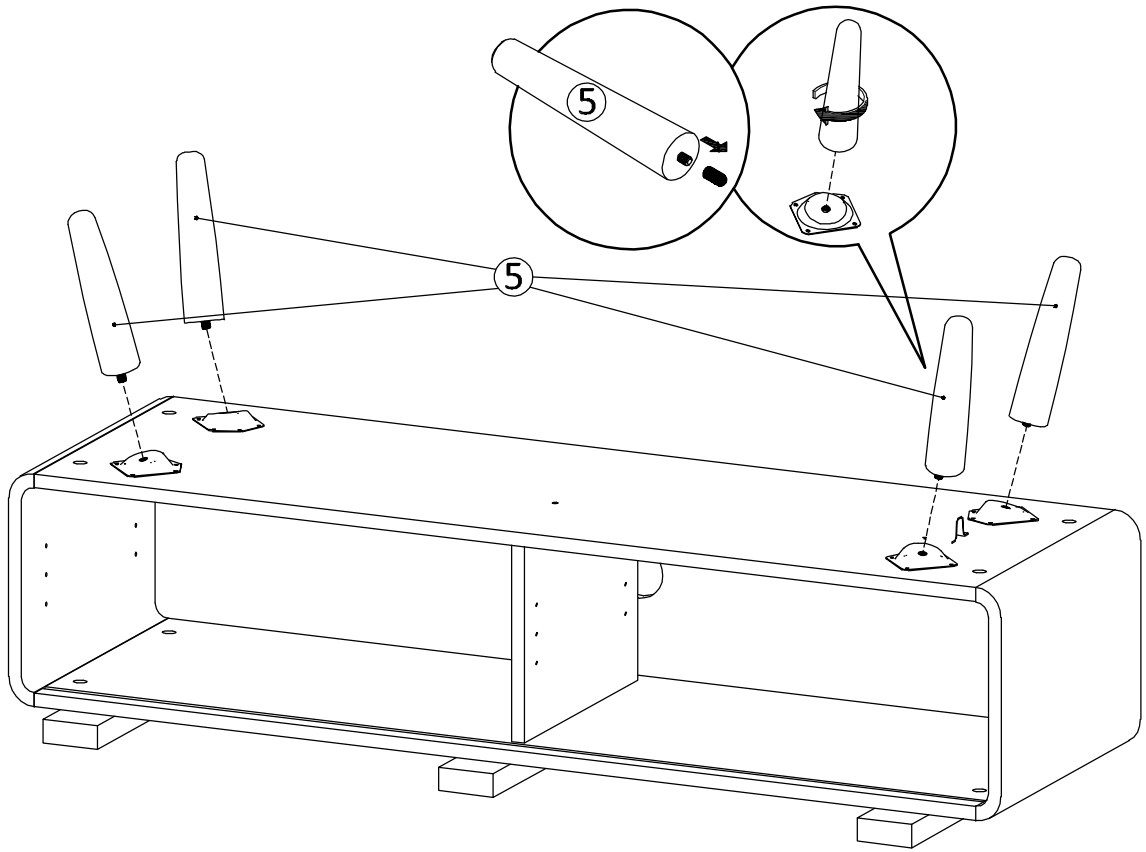
7



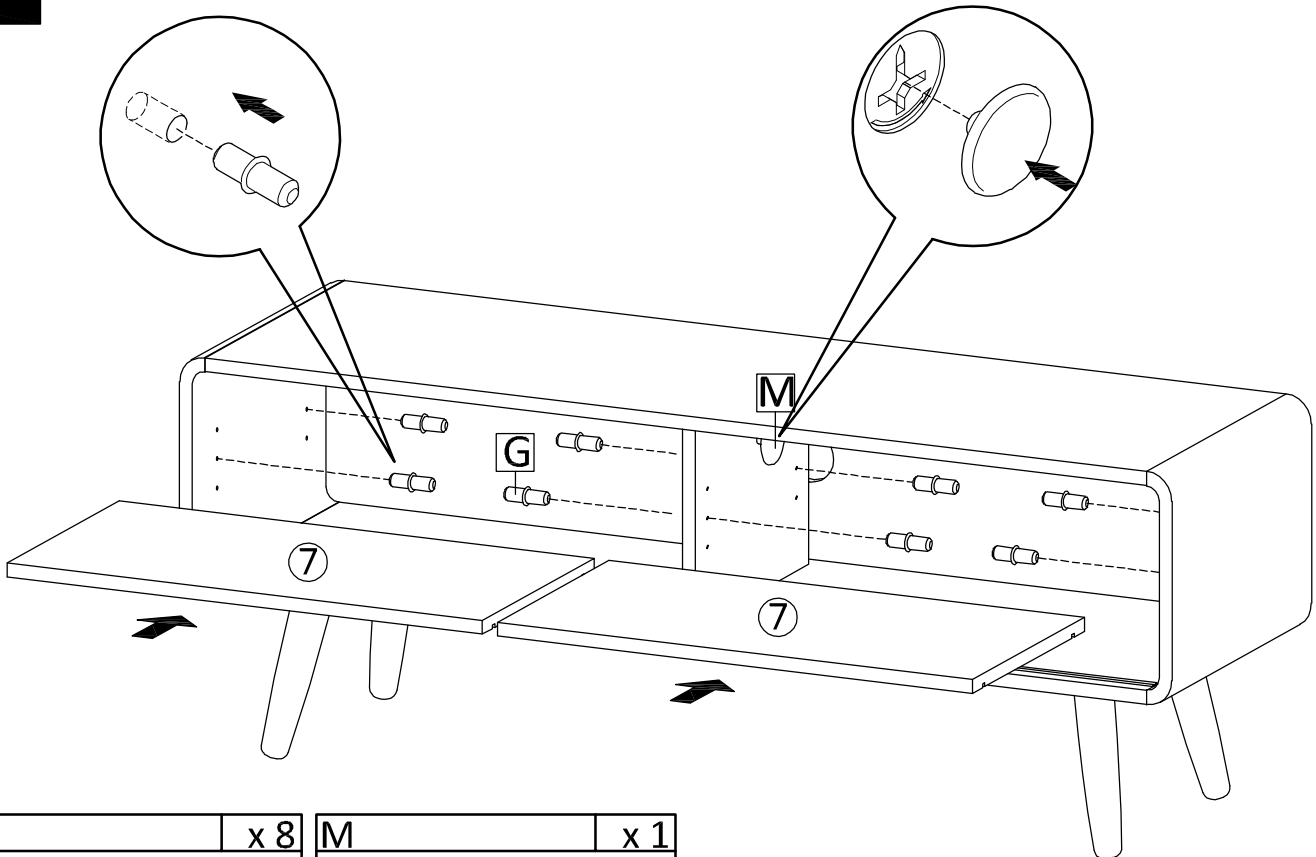
L	x 20
	

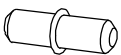
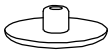
N	x 4
	

8

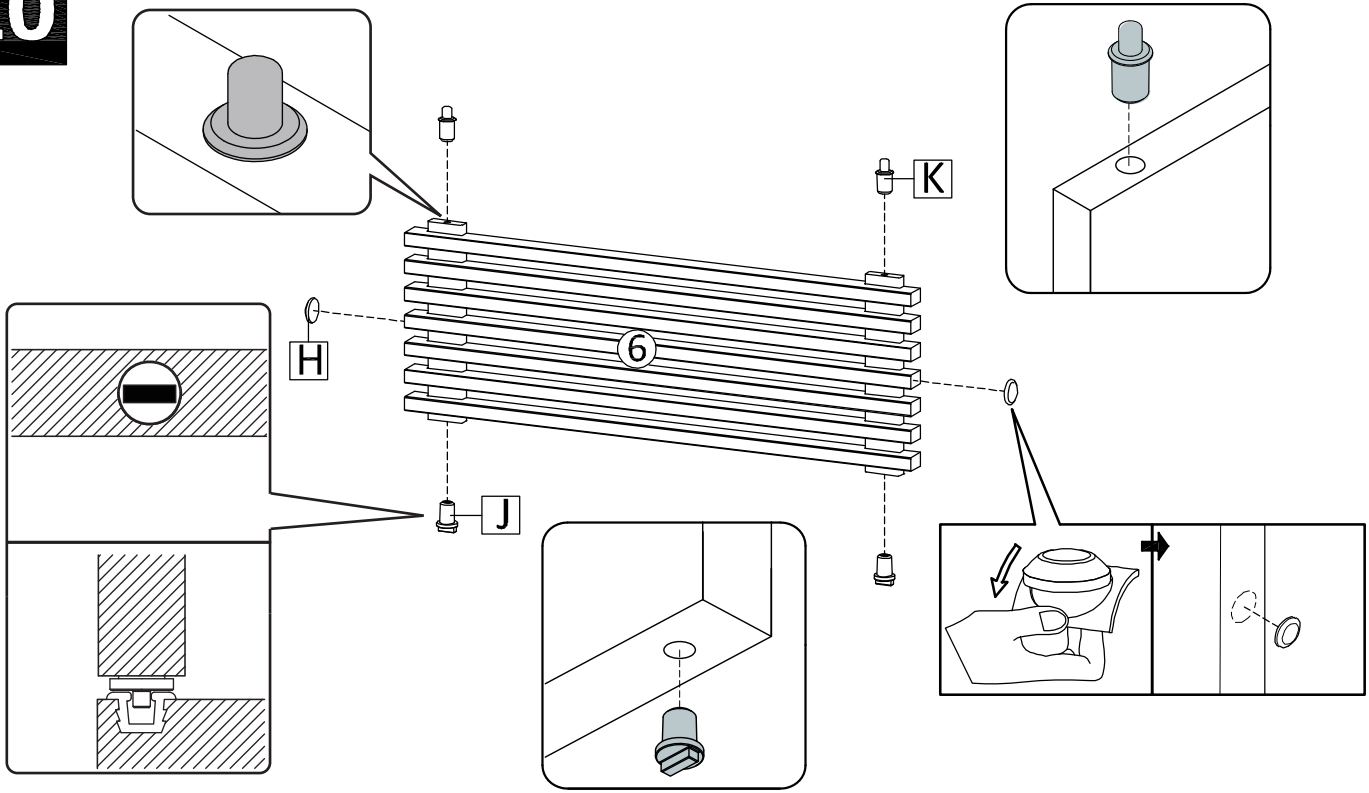


9



G	x 8	M	x 1
			

10



H	x 2	J	x 2	K	x 2

11

