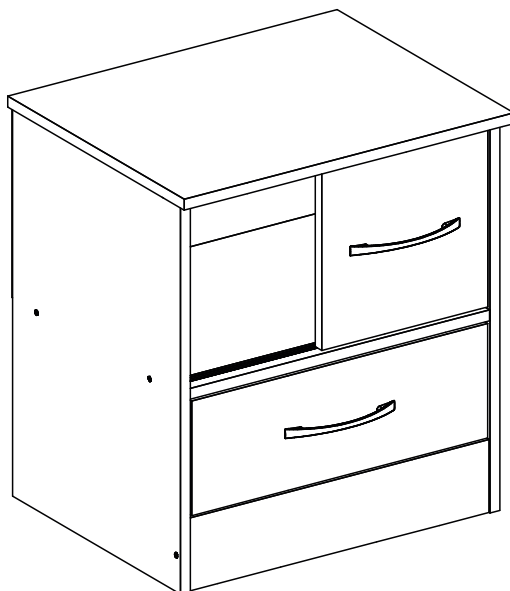


# WHITE GLOSS SLIDING DOOR BEDSIDE ASSEMBLY INSTRUCTIONS



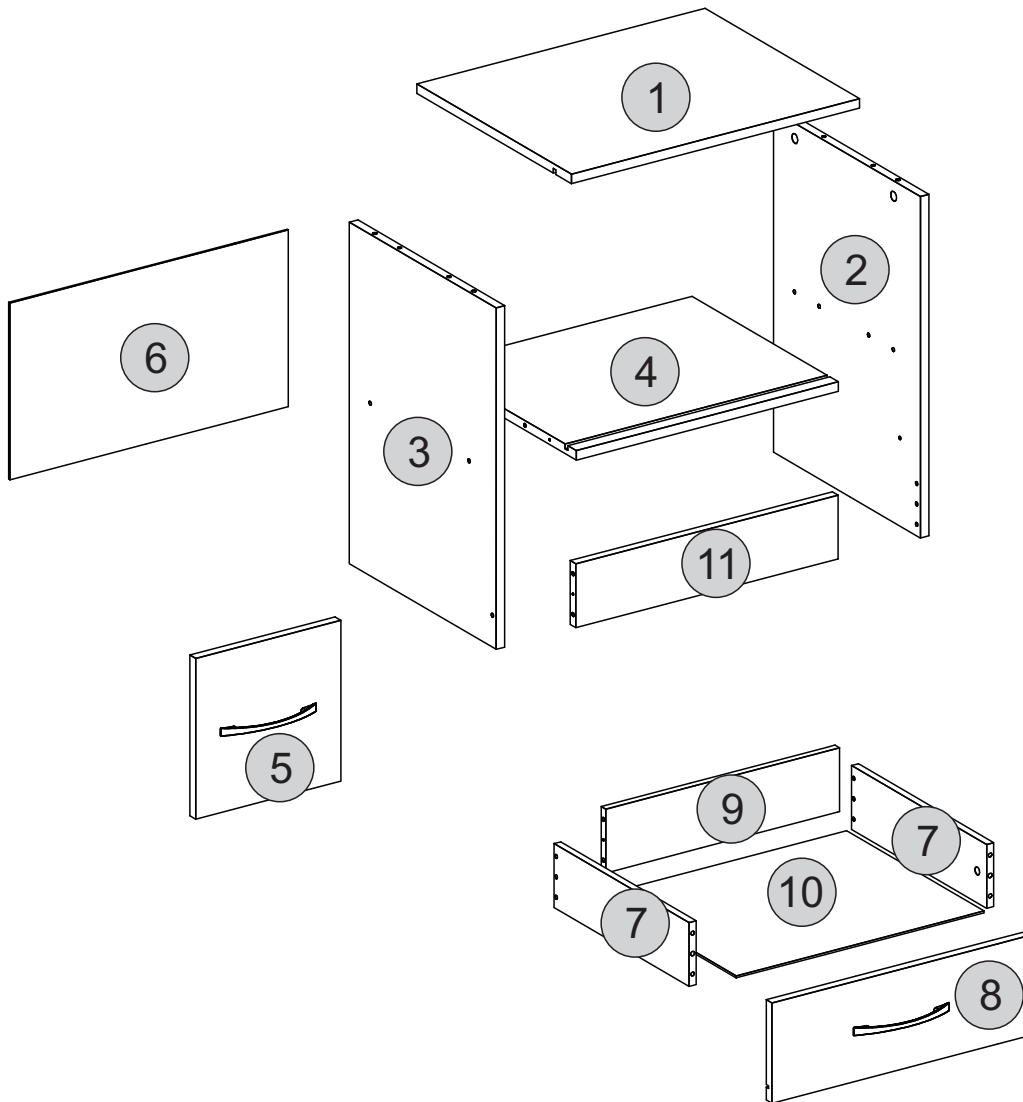
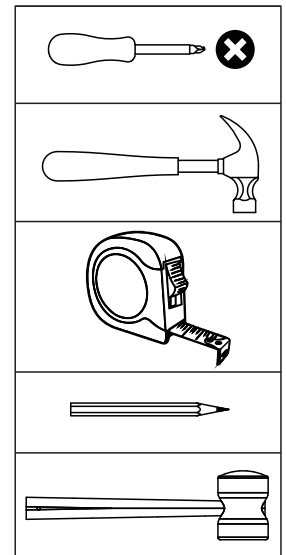
## IMPORTANT FOR DOMESTIC USE ONLY

PLEASE READ BEFORE YOU CONTINUE FURTHER

## CARE AND MAINTENANCE

- After unpacking this product please keep the original packaging in case it needs to be returned for any reason.
- Please ensure all fittings and parts are present before commencing with assembly.
  - Never drag or push products as this could cause damage to the joints making it inferior.
  - We strongly recommend that you keep children away from your work area.
  - We recommend that you lay a blanket or sheet on the floor to avoid damage to both your floor and the product.
  - Assemble this product as close to its final position as possible.
  - Do not place this product next to a radiator or in direct sunlight.
  - Do not drag or push items across your high gloss furniture as this may cause the surface to scratch
  - Wood is a natural product and may expand if subjected to damp and may shrink or crack if subjected to heat. Therefore it is recommended that room temperature is maintained, with no sudden temperature fluctuations.
  - Make sure any spillage is wiped off immediately.
  - Do not place hot or chilled items directly on to the surface, use a place mat or marking will occur.
  - For general cleaning use a soft cotton or micro fibre cloth, and do not use detergents of any kind.
  - From time to time it may be necessary to tighten fittings, regular inspections should be carried out.
  - Do not place on a wet or damp floor as staining may occur to your floor.

**TOOLS REQUIRED**



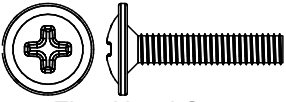
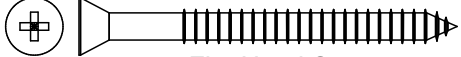

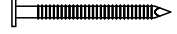
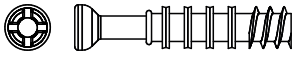
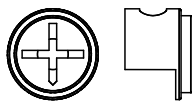
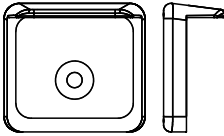



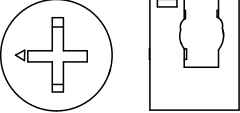
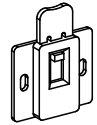
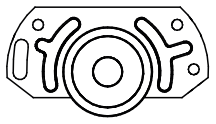

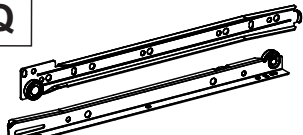



**PARTS LIST**

**Please Note:**  
The below parts have all been stamped with the part number to help identify them during assembly.


Part Number	Part Code	Part Description	Quantity	Carton
1	S100-103-084-CA1-01	Top Panel	1	1/1
2	S100-103-084-CA1-02	Right Side Panel	1	1/1
3	S100-103-084-CA1-03	Left Side Panel	1	1/1
4	S100-103-084-CA1-04	Shelf	1	1/1
5	S100-103-084-CA1-05	Sliding Door	1	1/1
6	S100-103-084-CA1-06	Back Panel	1	1/1
7	S100-103-084-CA1-07	Drawer Side	2	1/1
8	S100-103-084-CA1-08	Drawer Front	1	1/1
9	S100-103-084-CA1-09	Drawer Back Panel	1	1/1
10	S100-103-084-CA1-10	Drawer Bottom	1	1/1
11	S100-103-084-CA1-11	Front Baseboard	1	1/1


## FITTINGS LIST

<b>A</b>  Flat Head Screw Ø6,0 x 10mm (4x) 1/+	<b>B</b>  Flat Head Screw Ø4,0 x 14mm (6x) 1/+	<b>C</b>  Flan Head Screw Ø4,0 x 22mm (4x) 1/+	
<b>D</b>  Flat Head Screw Ø4,0 x 50mm (8x) 2/+		<b>E</b>  Dowel Ø6,0 x 30mm (20x) 2/+	<b>F</b>  Nail 10 x 10 (22x) 2/+
<b>G</b>  Cam Bolt (6x) 1/+	<b>H</b>  Cam Nut Ø12mm (2x) 1/+	<b>I</b>  Plastic Foot (4x) 1/+	<b>J</b>  Hole Plugs (14x) 2/+
<b>K</b>  Glue (1x)	<b>L</b>  Handle (2x)	<b>M</b>  Cam Nut Ø15mm (4x) 1/+	<b>N</b>  Spring top guide(2x)
<b>O</b>  Sliding Door Castor(2x)	<b>P</b>  Flan Head Screw Ø4,0 x 14mm (12x) 2/+	<b>Q</b>  Drawer Runners (1x)	<b>R</b>  Plastic Rail (2x)

## TIPS FOR FITTINGS CAM-LOCKS

WHEN FITTING CAM NUT. ENSURE STARTING POSITION IS CORRECT BEFORE YOU INSERT CONNECTING CAM BOLT TURN CLOCKWISE UNTIL SECURE

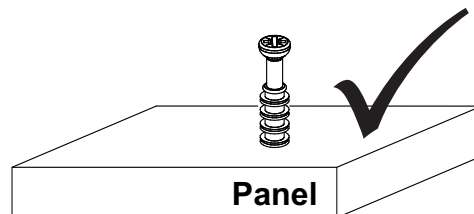
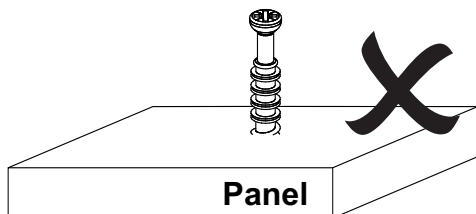
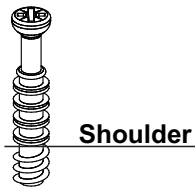
  
 ✓  
 ↑  
 CORRECT

  
 ✗  
 ↓  
 WRONG

Cam bolt head needs to be in centre

### **CAMBOLT**

Tighten until shoulder in flush with panel. Do not overtighten or undertighten (see example beside)





# STEP 1

## PARTS REQUIRED

3 - LEFT SIDE PANEL x1

## HARDWARE REQUIRED

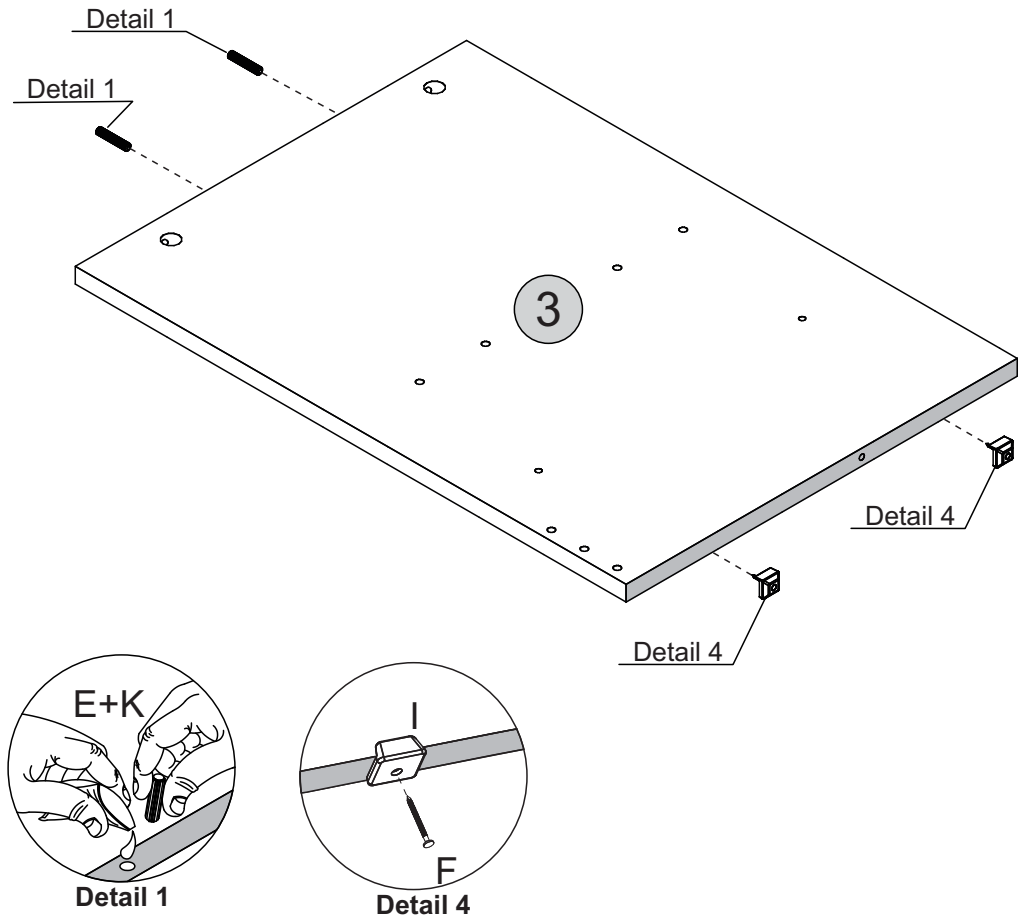
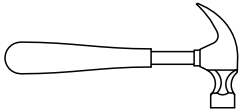
E  02  
Ø6,0 x 30mm

F  02  
10 x 10

I  02

K  01  
GLUE

## TOOLS REQUIRED





# STEP 2

## PARTS REQUIRED

2 - RIGHT SIDE PANEL x1

## HARDWARE REQUIRED

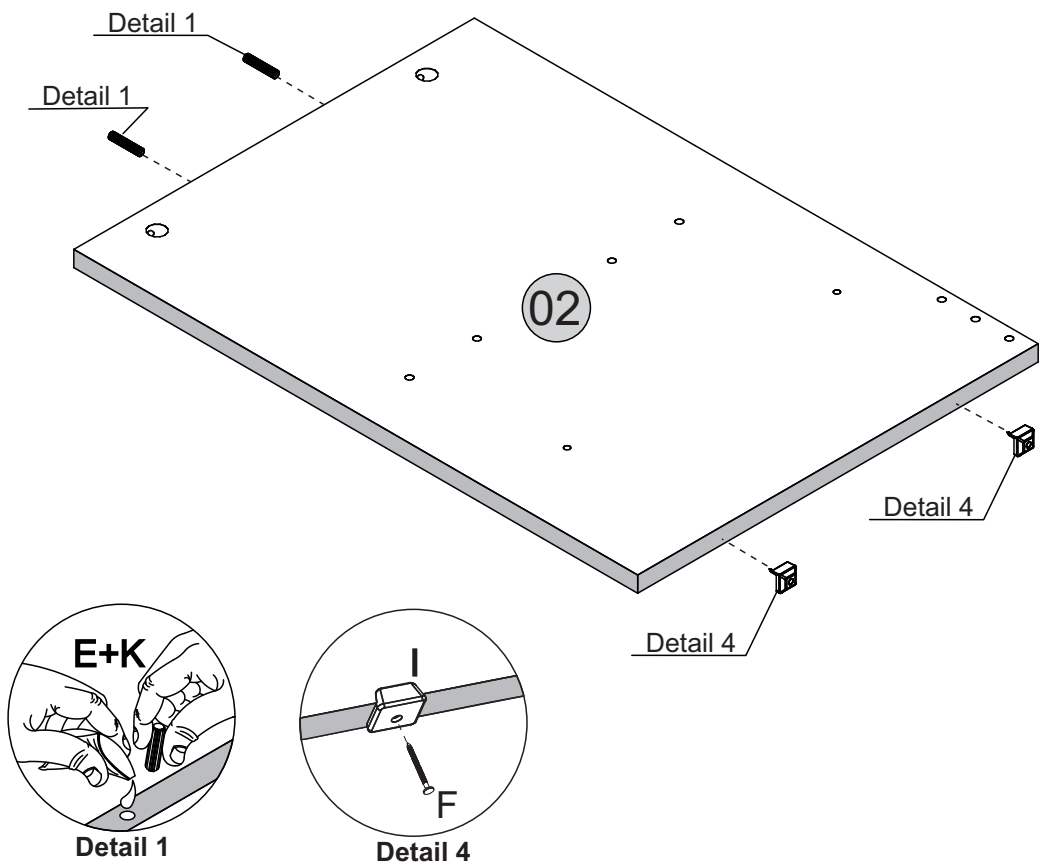
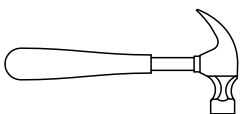
E  02  
Ø6,0 x 30mm

F  02  
10 x 10

I  02

K  01  
GLUE

## TOOLS REQUIRED





# STEP 3

## PARTS REQUIRED

3 - LEFT SIDE PANEL x1

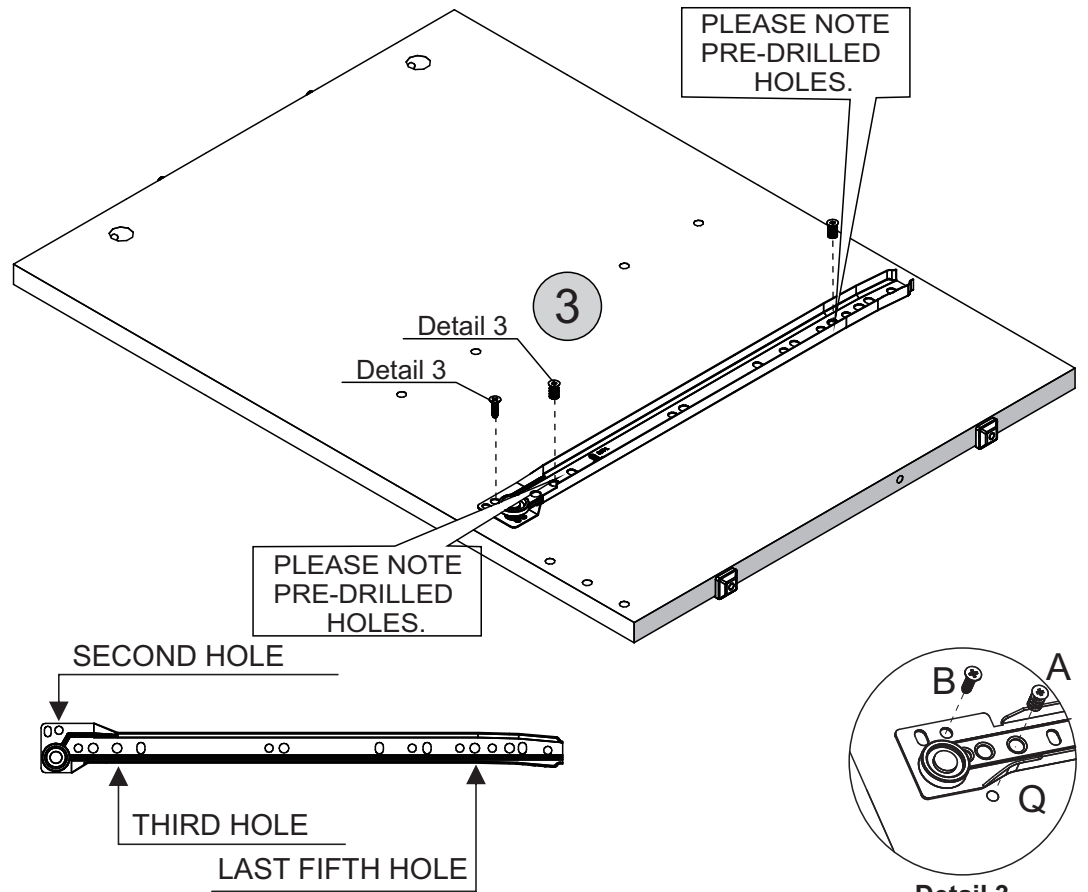
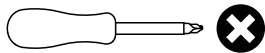
## HARDWARE REQUIRED

A  02  
Ø6,0 x 10mm

B  01  
Ø4,0 x 14mm

Q  01  
LEFT

## TOOLS REQUIRED




# STEP 4

## PARTS REQUIRED

2 - RIGHT SIDE PANEL x1

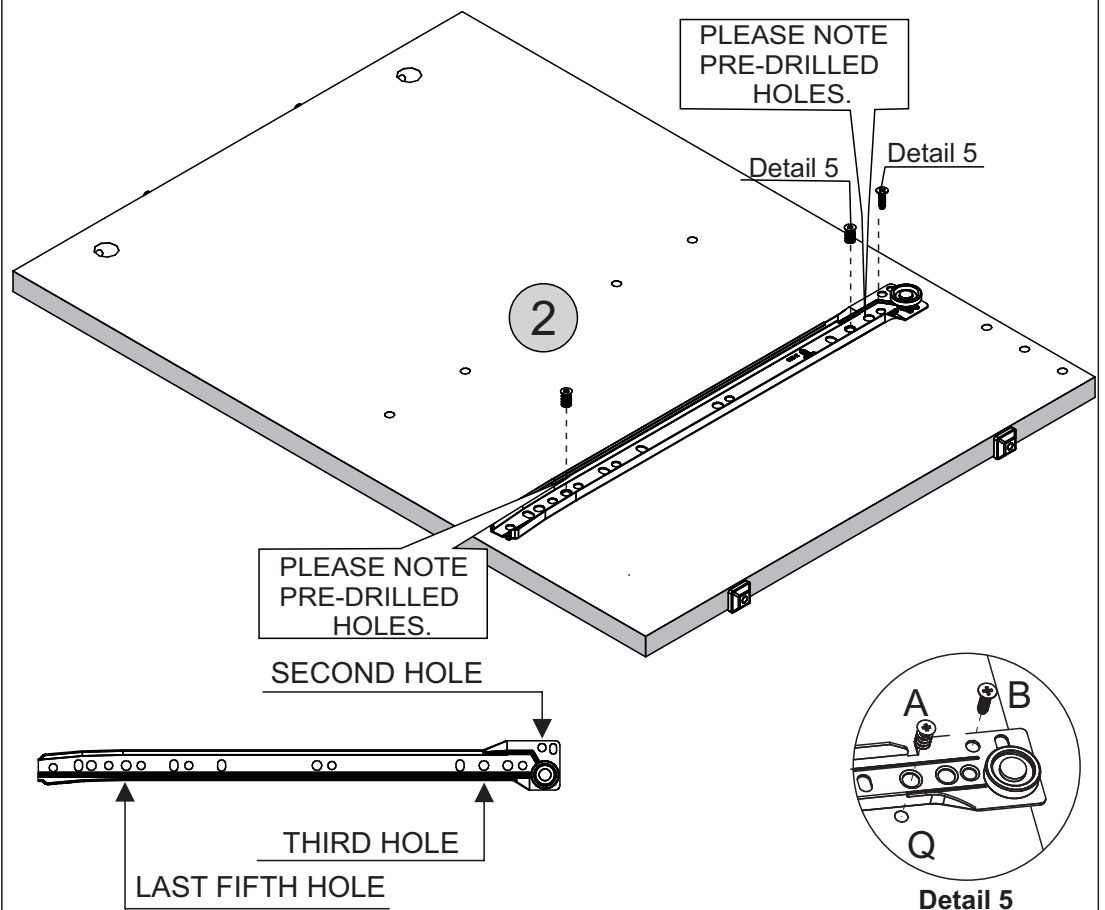
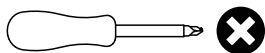
## HARDWARE REQUIRED

A  02  
Ø6,0 x 10mm

B  01  
Ø4,0 x 14mm

Q  01  
RIGHT

## TOOLS REQUIRED

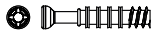


# STEP 5

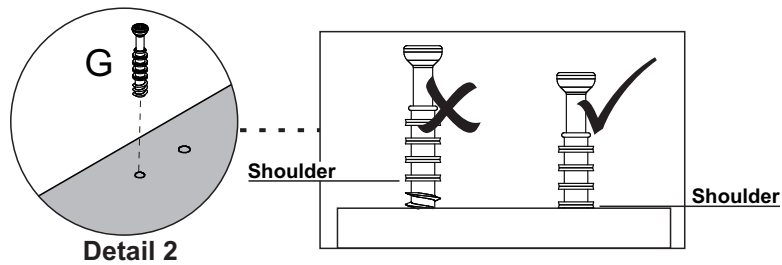
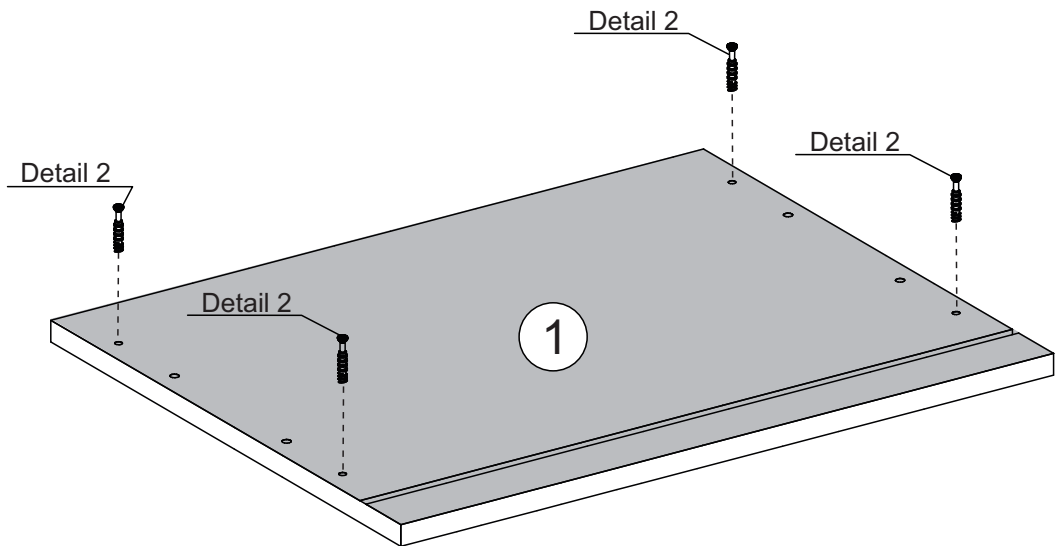
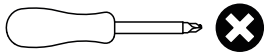
## PARTS REQUIRED

1 - TOP PANEL x1

## HARDWARE REQUIRED

G  04

## TOOLS REQUIRED




# STEP 6

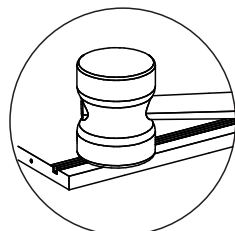
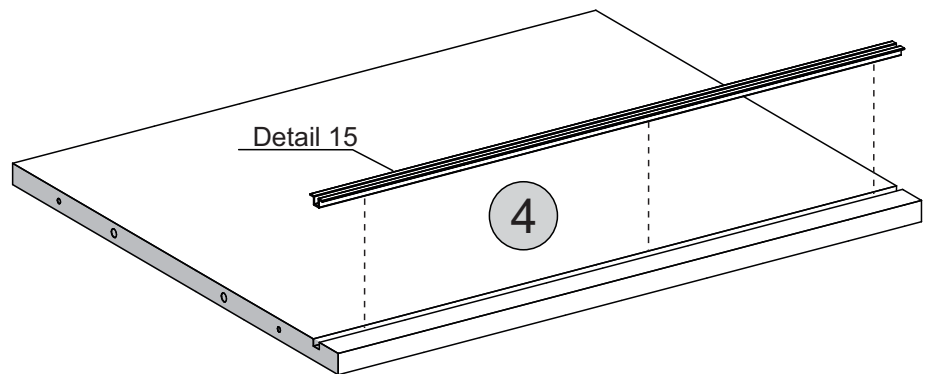
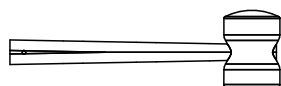
## PARTS REQUIRED

4 - SHELF x1

## HARDWARE REQUIRED

R  01

## TOOLS REQUIRED



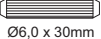

Detail 15

# STEP 7

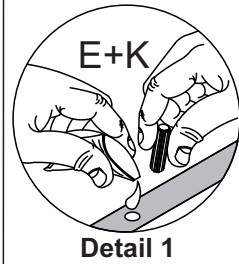
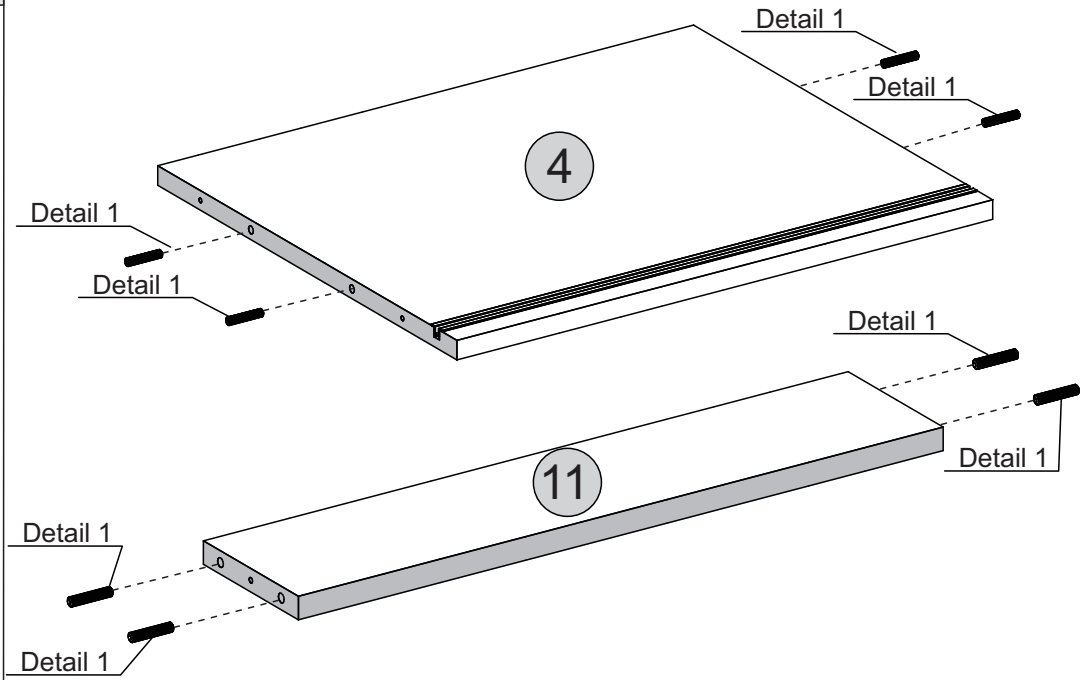
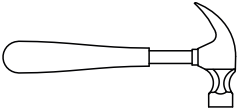
## PARTS REQUIRED

4 - SHELF	x1
11 - FRONT BASEBORD	x1

## HARDWARE REQUIRED

E	 Ø6,0 x 30mm	08
K	 GLUE	01

## TOOLS REQUIRED





# STEP 8

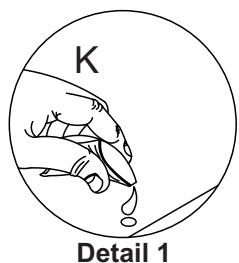
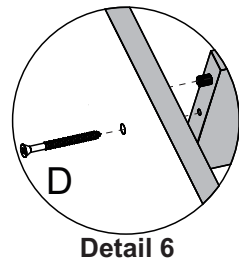
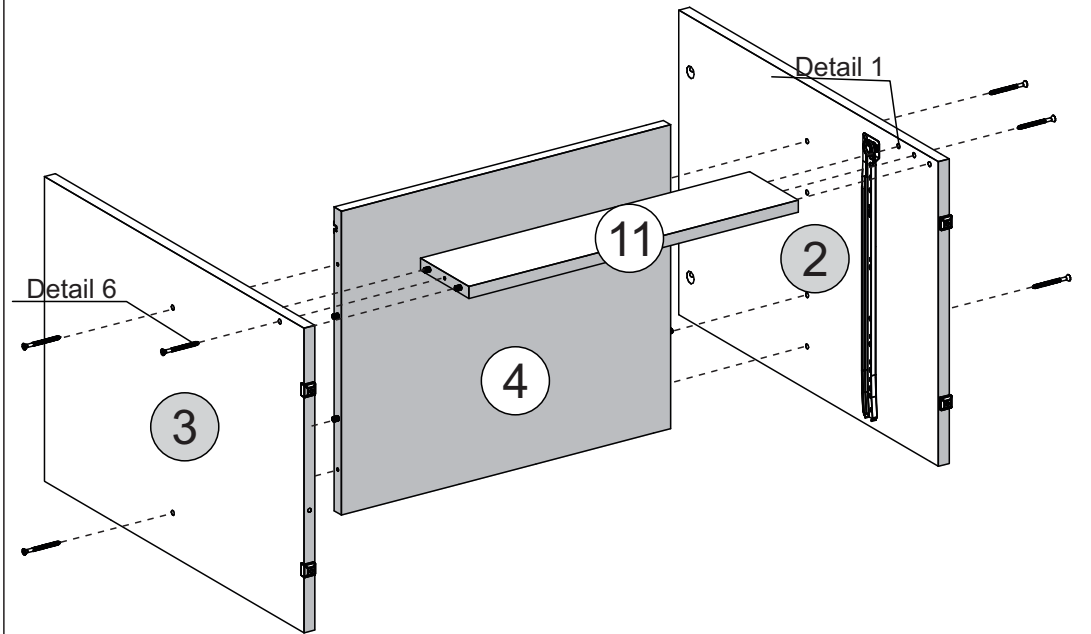
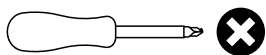
## PARTS REQUIRED

2 - RIGHT SIDE PANEL	x1
3 - LEFT SIDE PANEL	x1
4 - SHELF	x1
11 - FRONT BASEBORD	x1

## HARDWARE REQUIRED

D	 Ø4,0 x 50mm	06
K	 GLUE	01

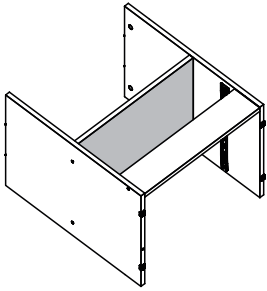
## TOOLS REQUIRED



# STEP 9

## PARTS REQUIRED

1 - TOP PANEL x1

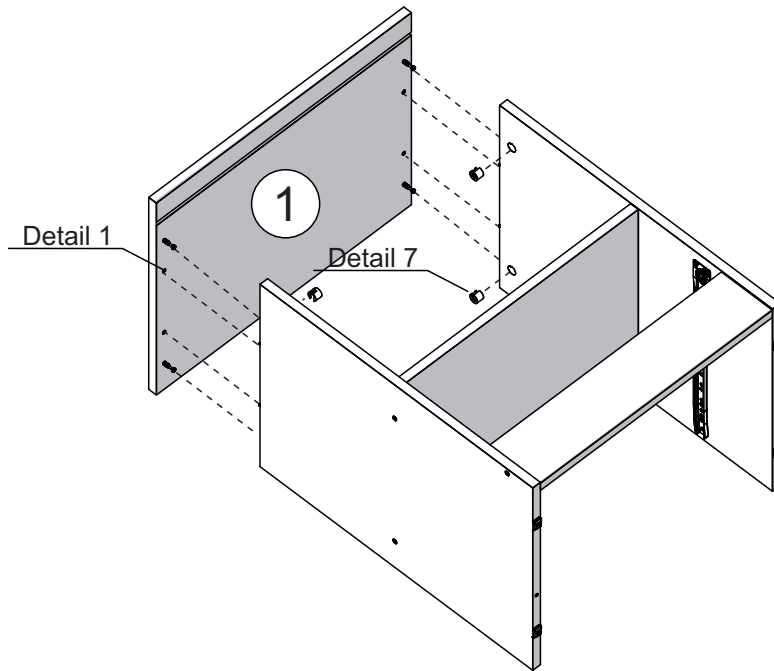
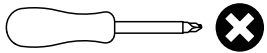


## HARDWARE REQUIRED

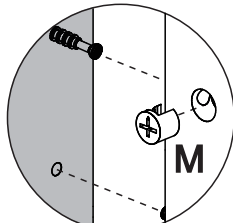
M  04

K  GLUE 01

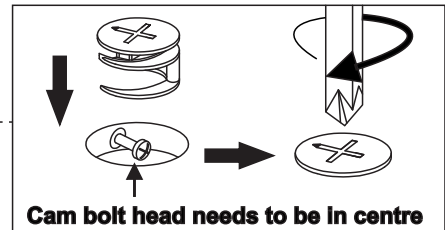
## TOOLS REQUIRED



Detail 1

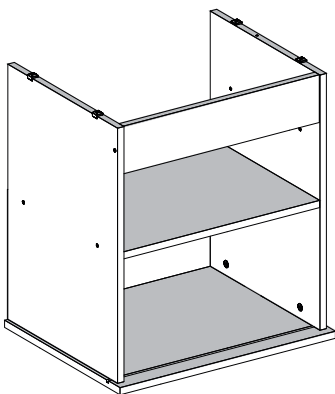


Detail 7



# STEP 10

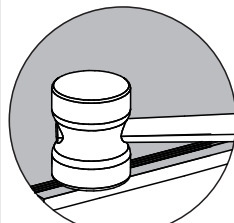
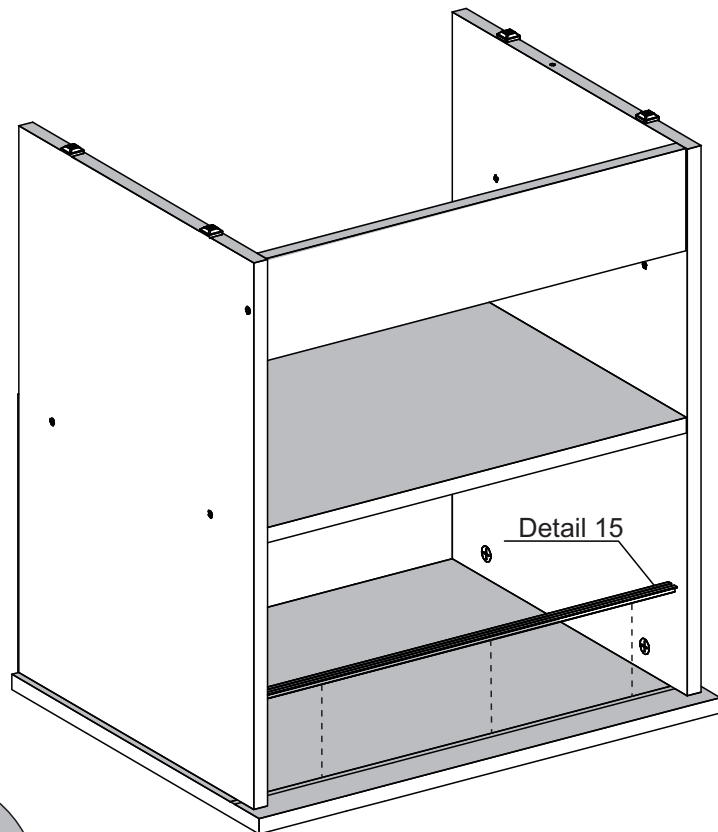
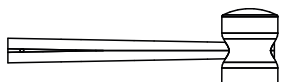
## PARTS REQUIRED



## HARDWARE REQUIRED

R  01

## TOOLS REQUIRED



Detail 15

# STEP 11

## PARTS REQUIRED

5 - SLIDING DOOR x1

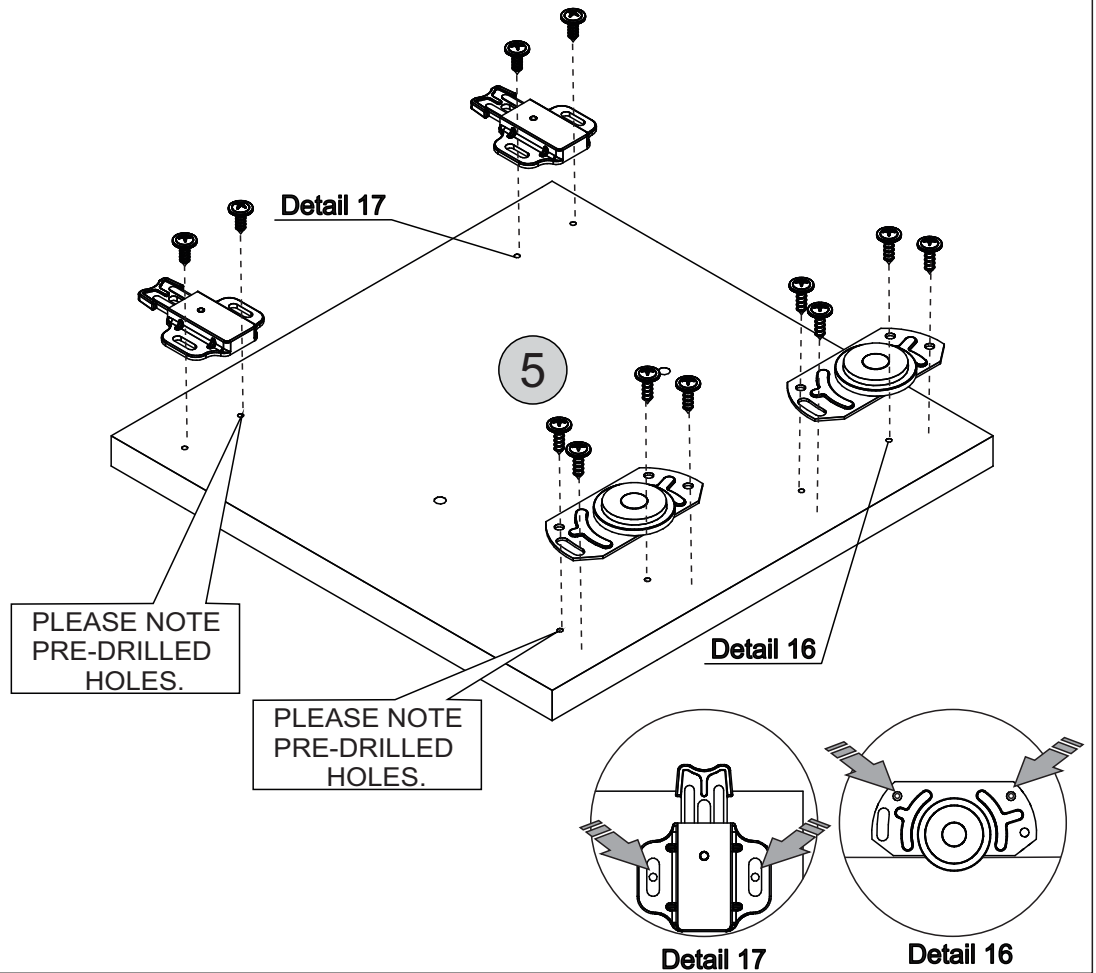
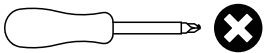
## HARDWARE REQUIRED

N  02

O  02

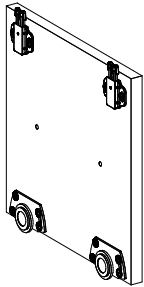
P  12  
Ø4,0 x 14mm

## TOOLS REQUIRED

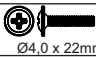


# STEP 12

## PARTS REQUIRED

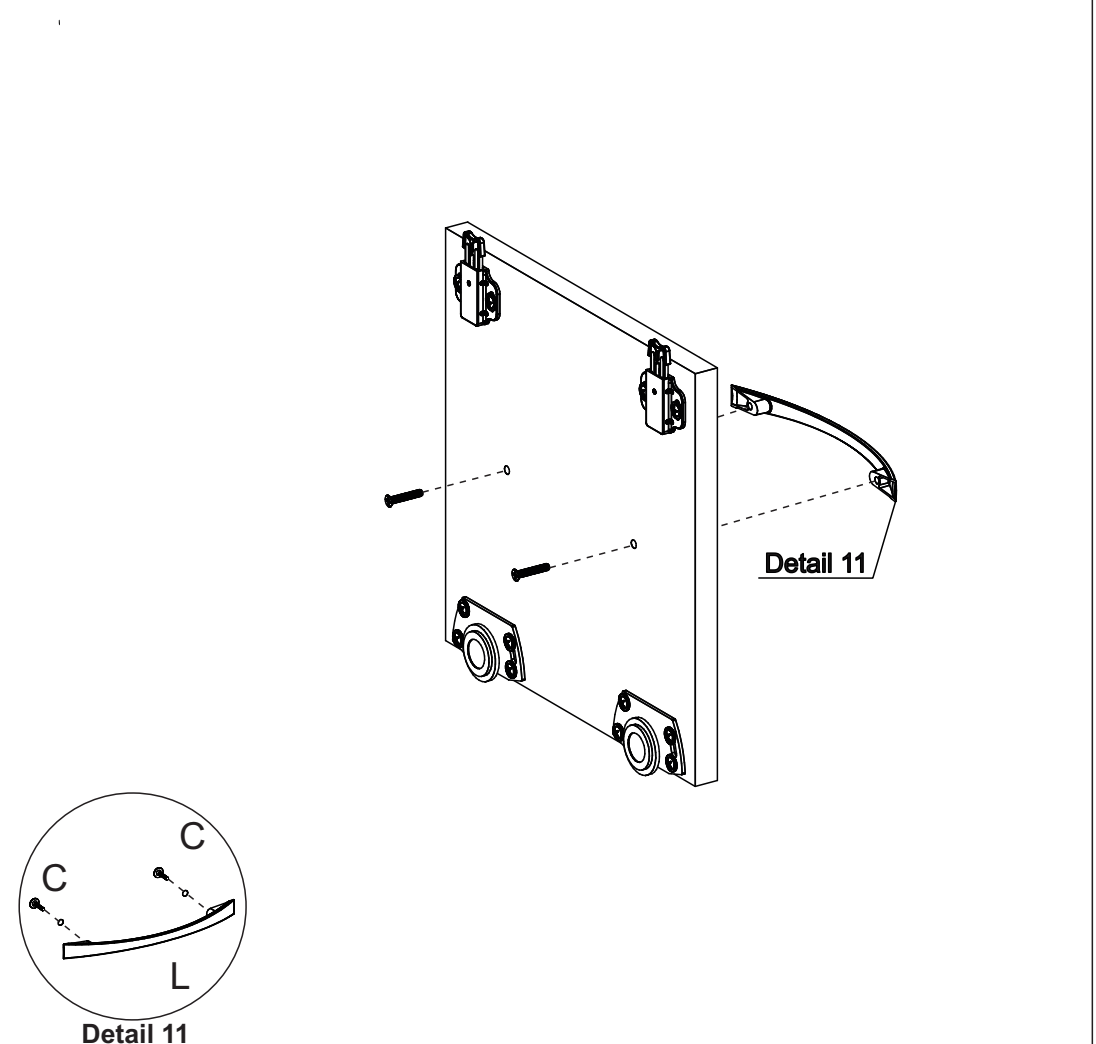
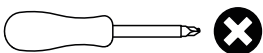


## HARDWARE REQUIRED

C  02  
Ø4,0 x 22mm

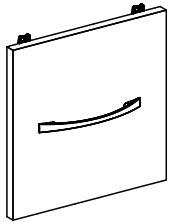
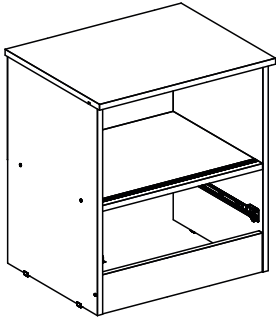
L  01

## TOOLS REQUIRED



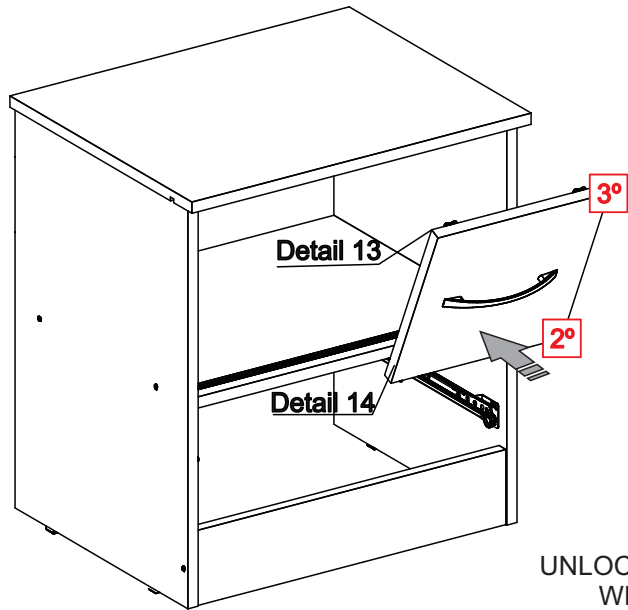
# STEP 13

## PARTS REQUIRED



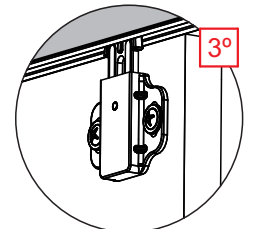
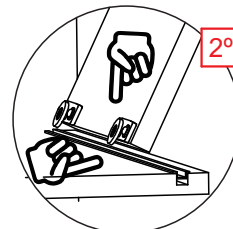
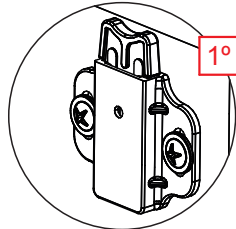
## HARDWARE REQUIRED

## TOOLS REQUIRED



BEFORE PLACING THE DOOR  
KEEP THE TOP GUIDE LOCKED

UNLOCK THE GUIDE  
WHEN IT IS  
ON THE RAIL



Detail 14


Detail 13

# STEP 14

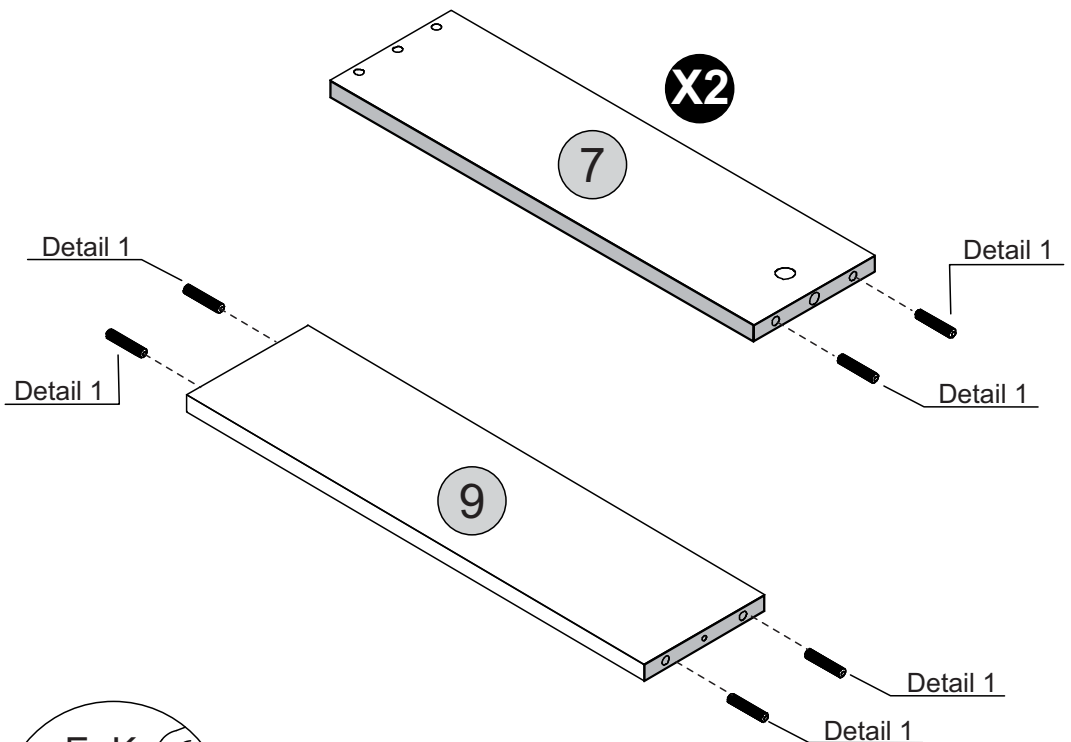
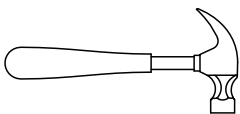
## PARTS REQUIRED

7 - DRAWER SIDE	x2
9 - DRAWER BACK PANEL	x1

## HARDWARE REQUIRED

E		08
K	GLUE	01

## TOOLS REQUIRED




Detail 1

# STEP 15

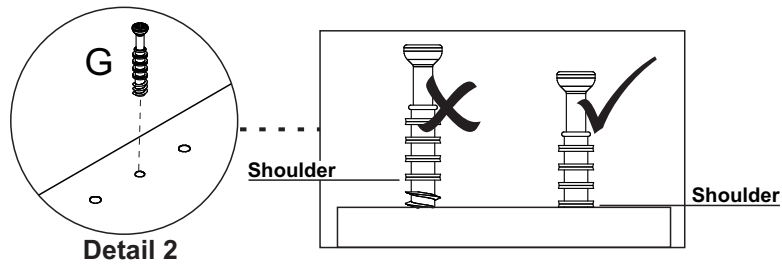
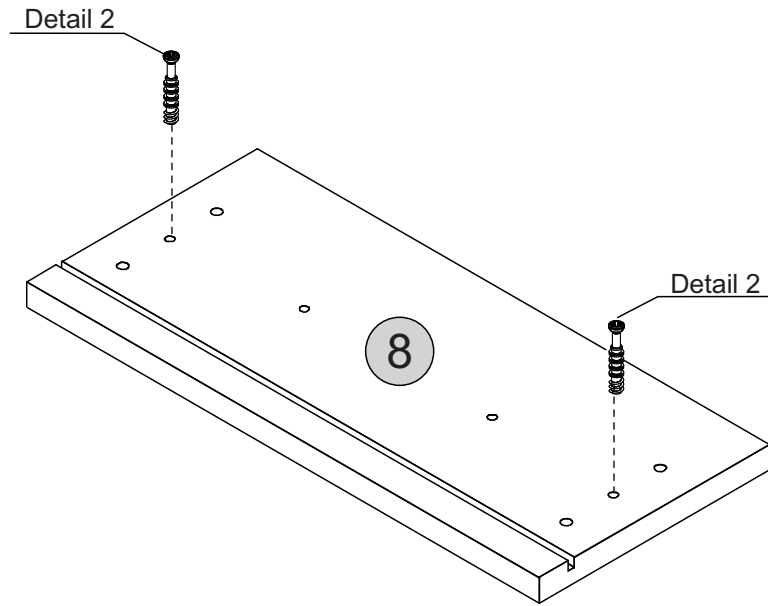
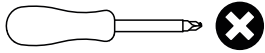
## PARTS REQUIRED

8 - DRAWER FRONT x1

## HARDWARE REQUIRED

G  02

## TOOLS REQUIRED




# STEP 16

## PARTS REQUIRED

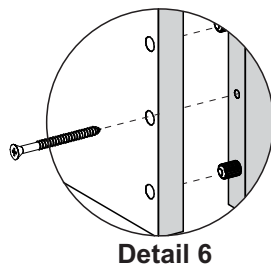
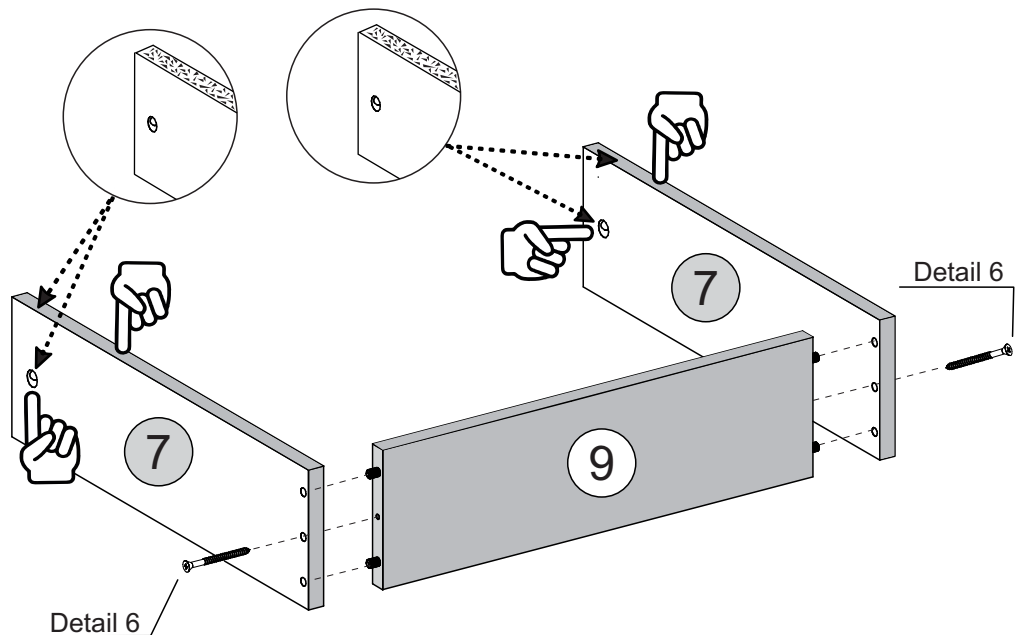
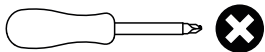
7 - DRAWER SIDE x2

9 - DRAWER BACK PANEL x1

## HARDWARE REQUIRED

D  Ø4,0 x 50mm 02

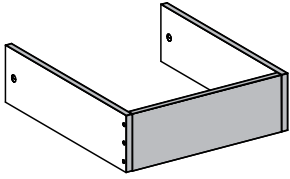
## TOOLS REQUIRED



# STEP 17

## PARTS REQUIRED

8 - DRAWER FRONT x1

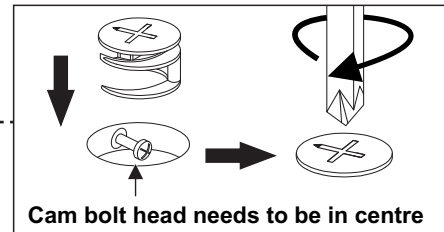
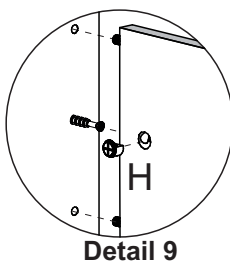
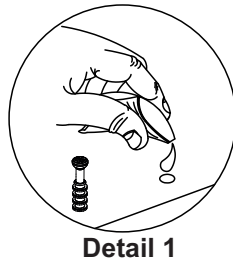
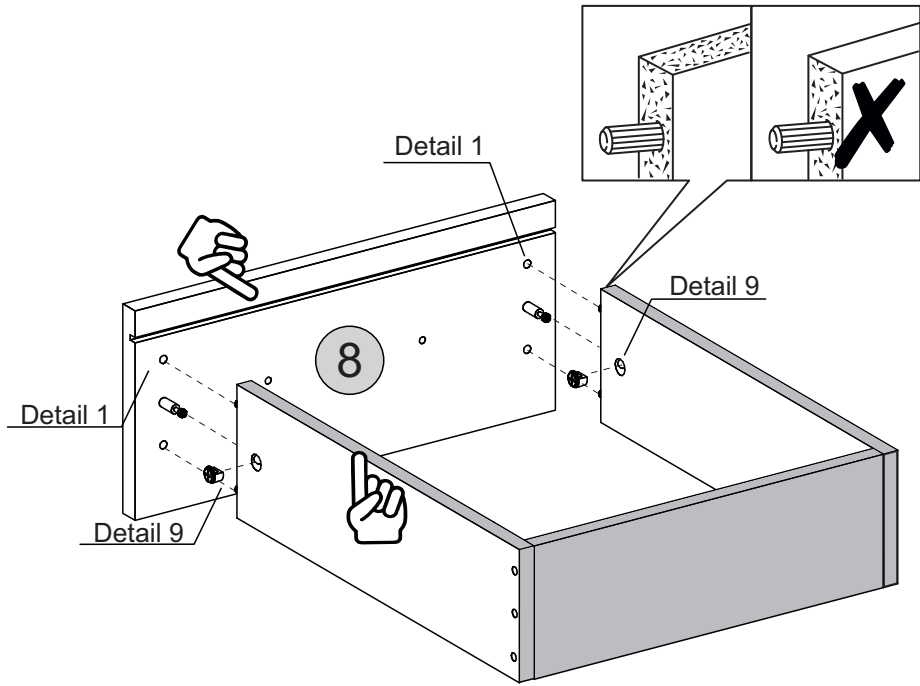
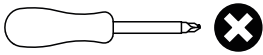


## HARDWARE REQUIRED

H 02

K GLUE 01

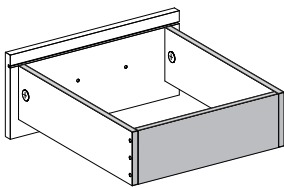
## TOOLS REQUIRED



# STEP 18

## PARTS REQUIRED

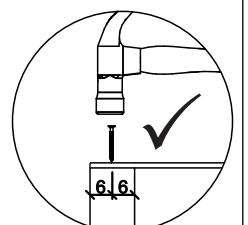
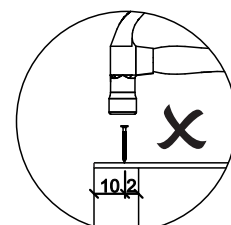
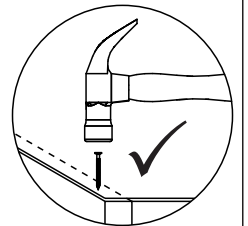
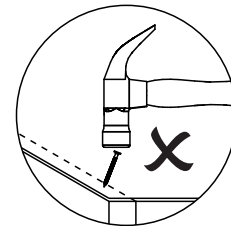
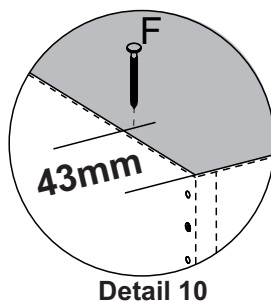
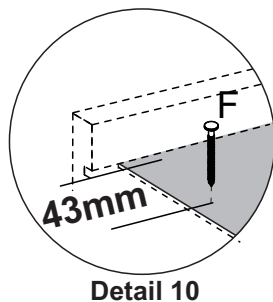
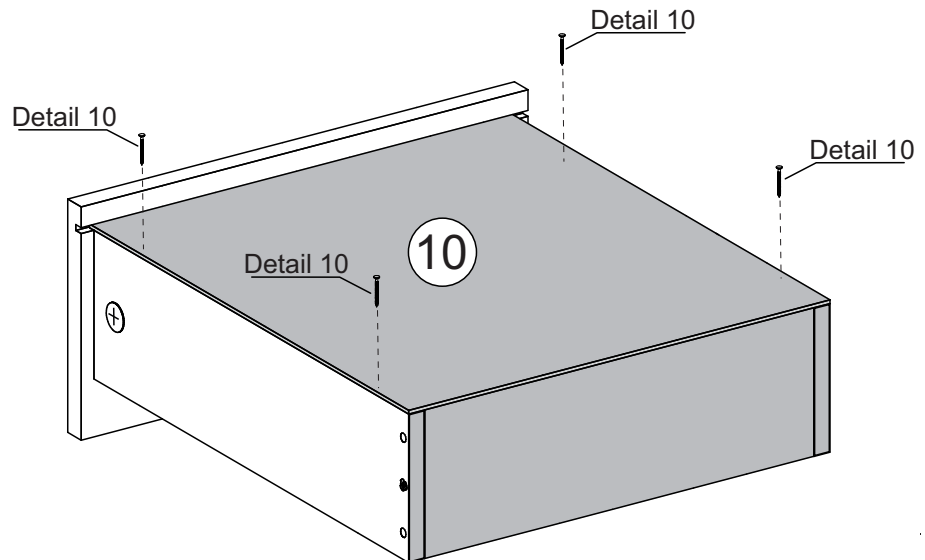
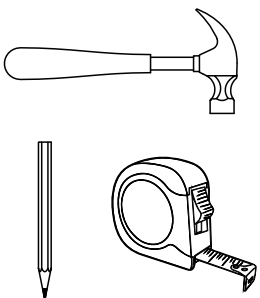
10 - DRAWER BOTTOM x1



## HARDWARE REQUIRED

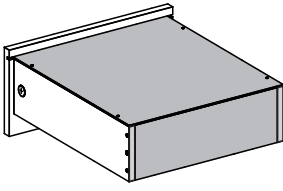
F 10 x 10 04

## TOOLS REQUIRED

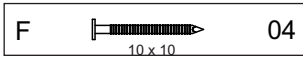


# STEP 19

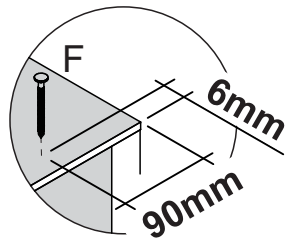
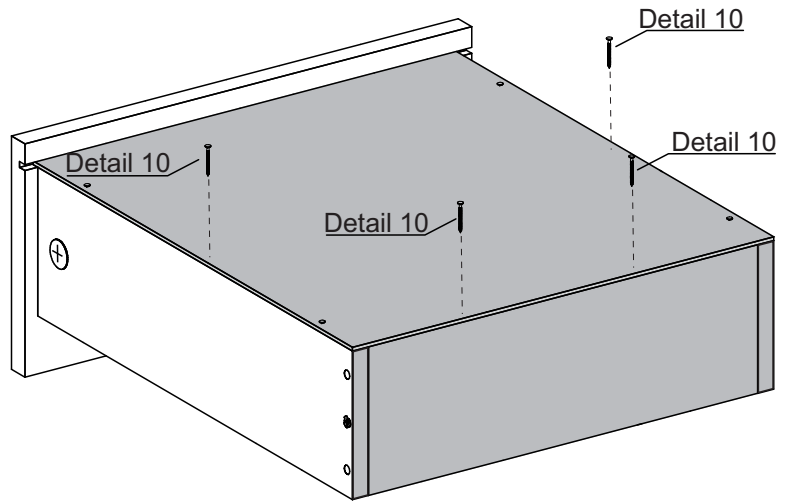
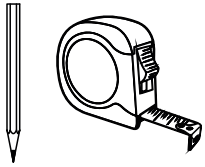
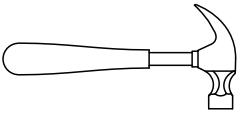
## PARTS REQUIRED



## HARDWARE REQUIRED



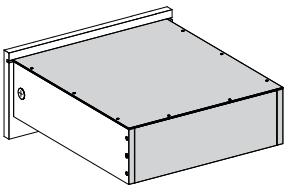
## TOOLS REQUIRED



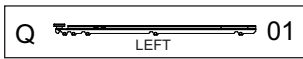
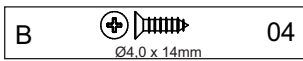
Detail 10

# STEP 20

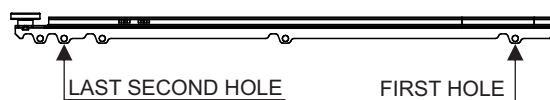
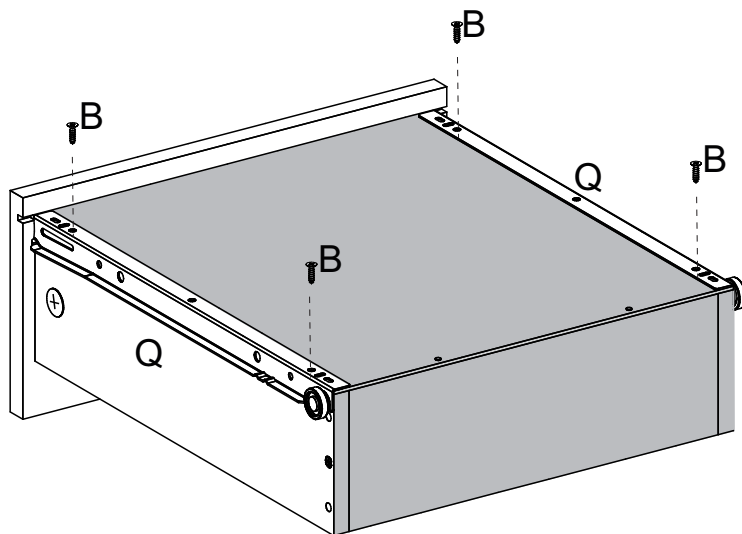
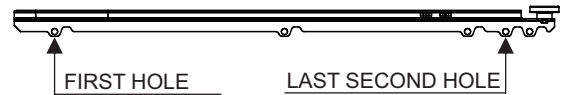
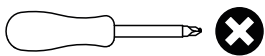
## PARTS REQUIRED



## HARDWARE REQUIRED

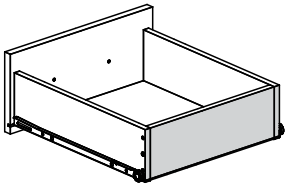


## TOOLS REQUIRED

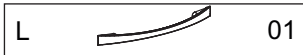
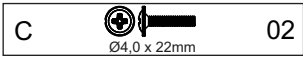


# STEP 21

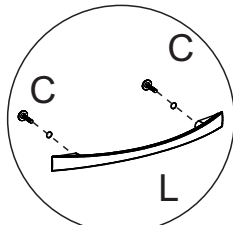
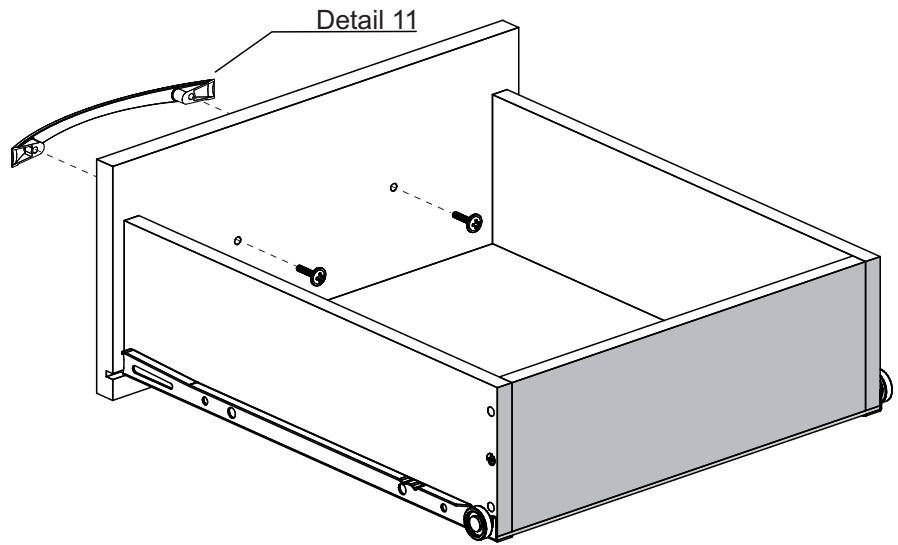
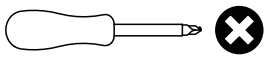
## PARTS REQUIRED



## HARDWARE REQUIRED



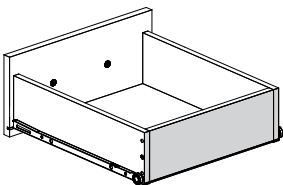
## TOOLS REQUIRED



Detail 11

# STEP 22

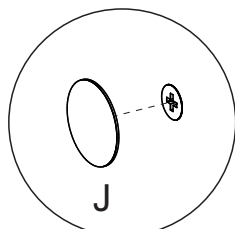
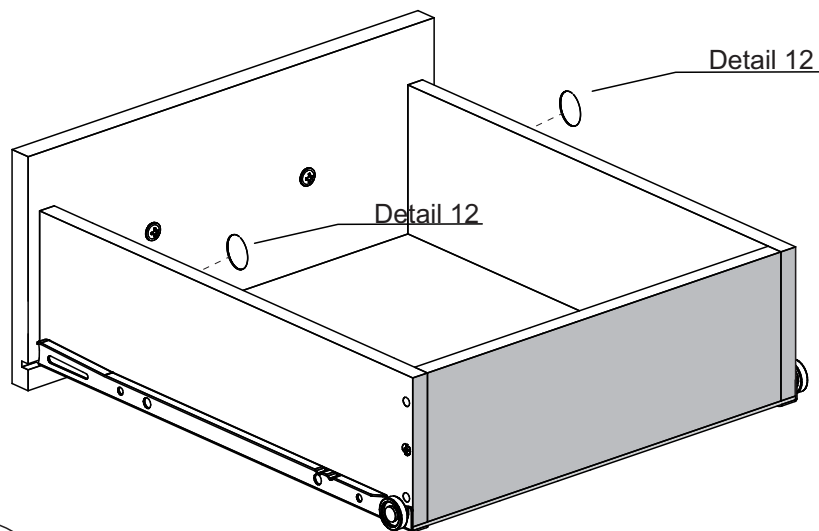
## PARTS REQUIRED



## HARDWARE REQUIRED



## TOOLS REQUIRED

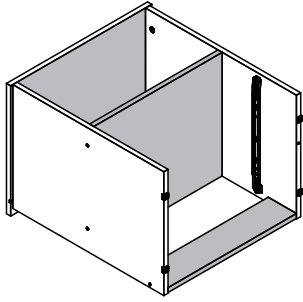


Detail 12

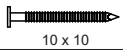
# STEP 23

## PARTS REQUIRED

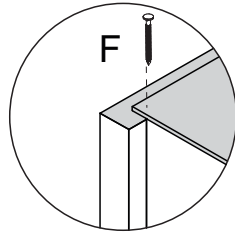
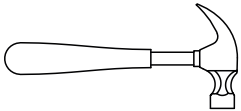
6 - BACK PANEL x1



## HARDWARE REQUIRED

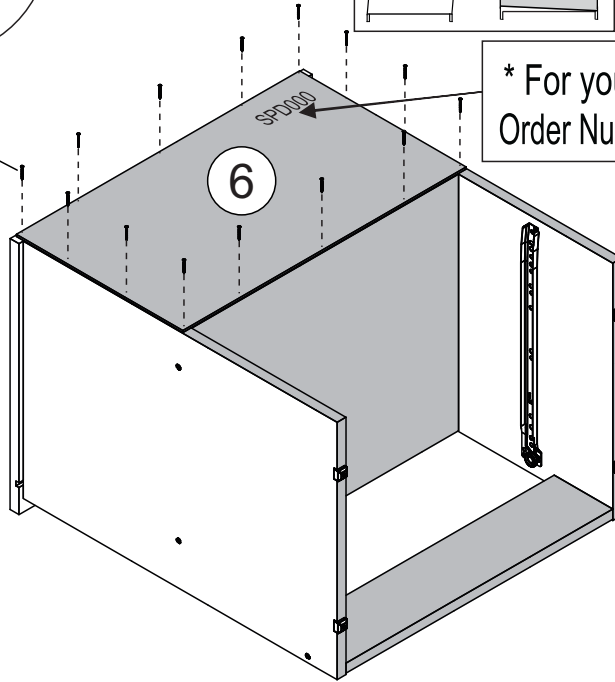
F  14  
10 x 10

## TOOLS REQUIRED

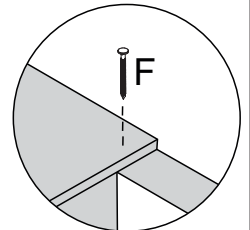
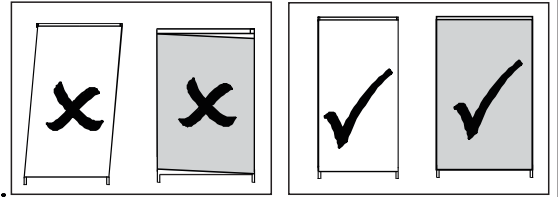


Detail 8

Detail 8



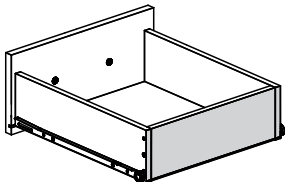
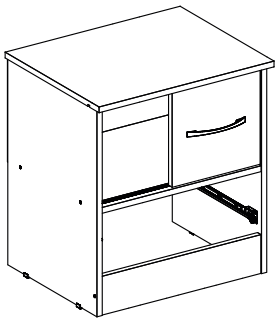
\* For your future reference  
Order Number should be here



Detail 8

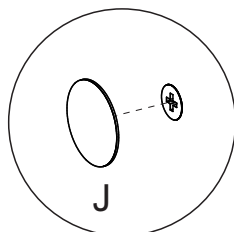
# STEP 24

## PARTS REQUIRED



## HARDWARE REQUIRED

J  10

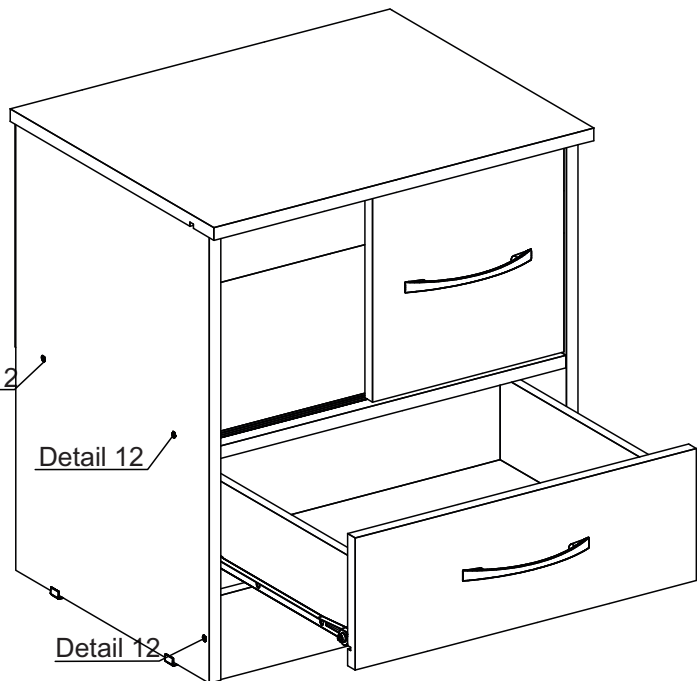


Detail 12

Detail 12

Detail 12

Detail 12



**TIP**  
If desired, after assembly use an alcohol cleaner to erase the number printed on the parts.

