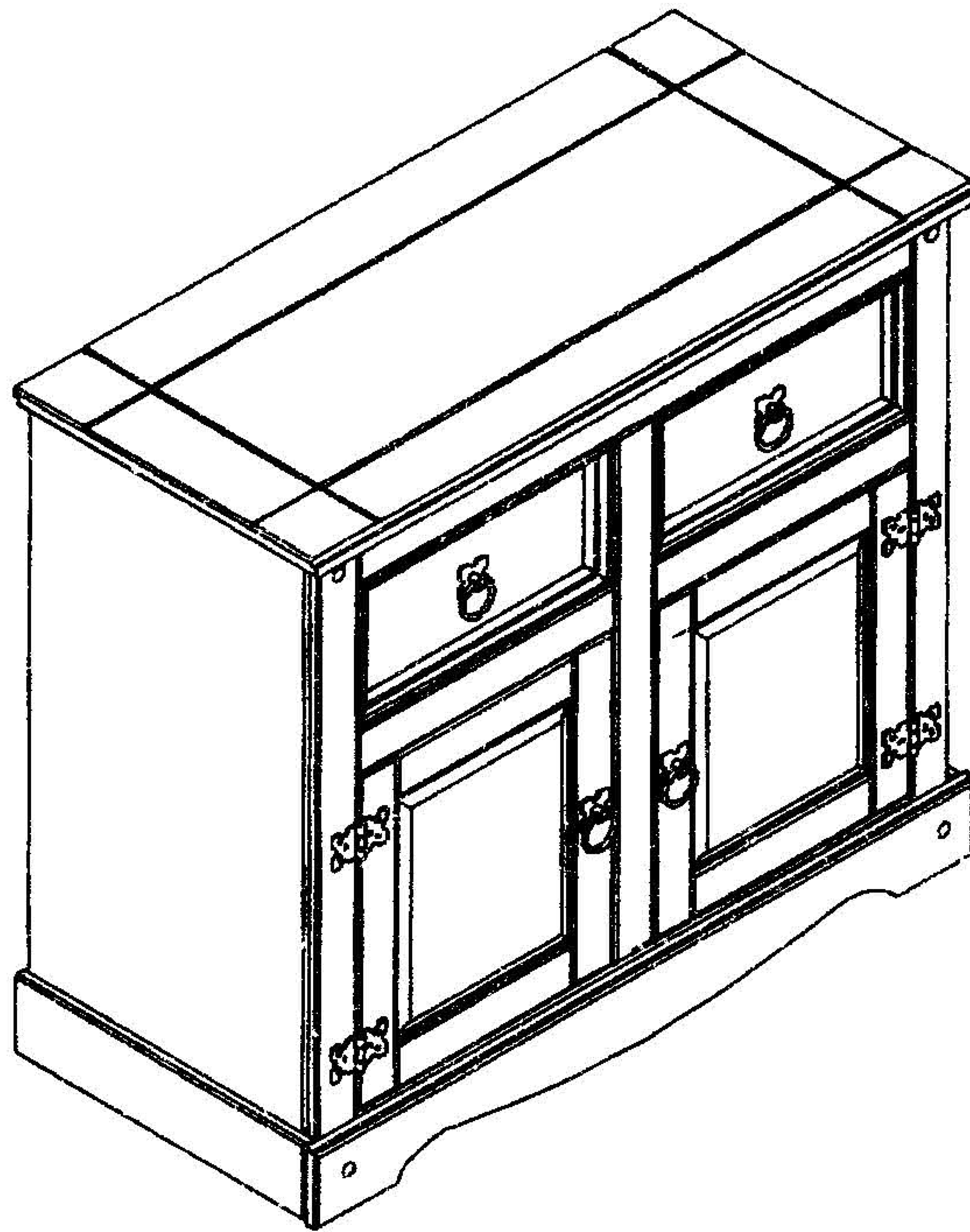
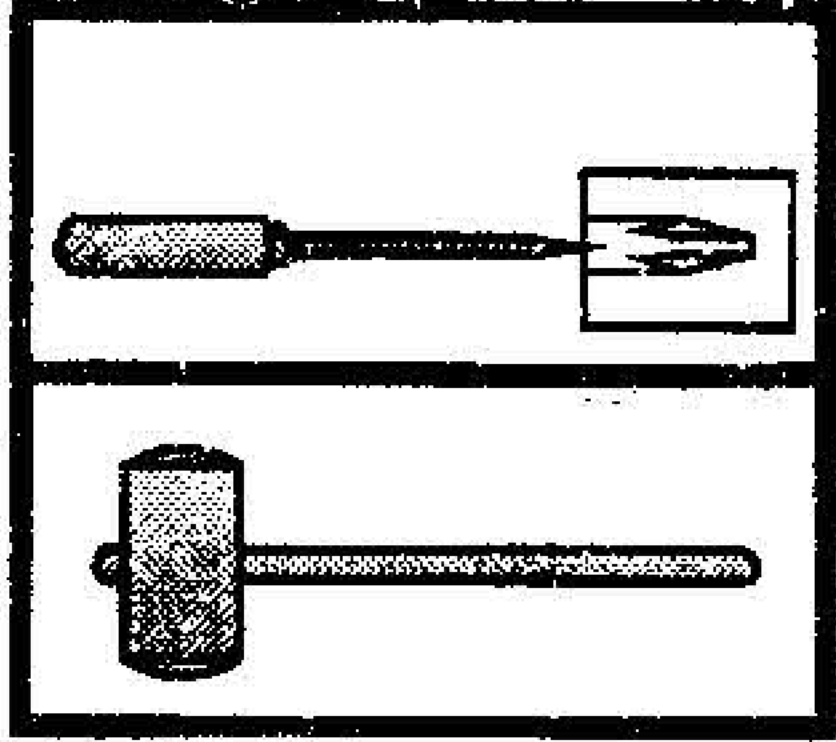
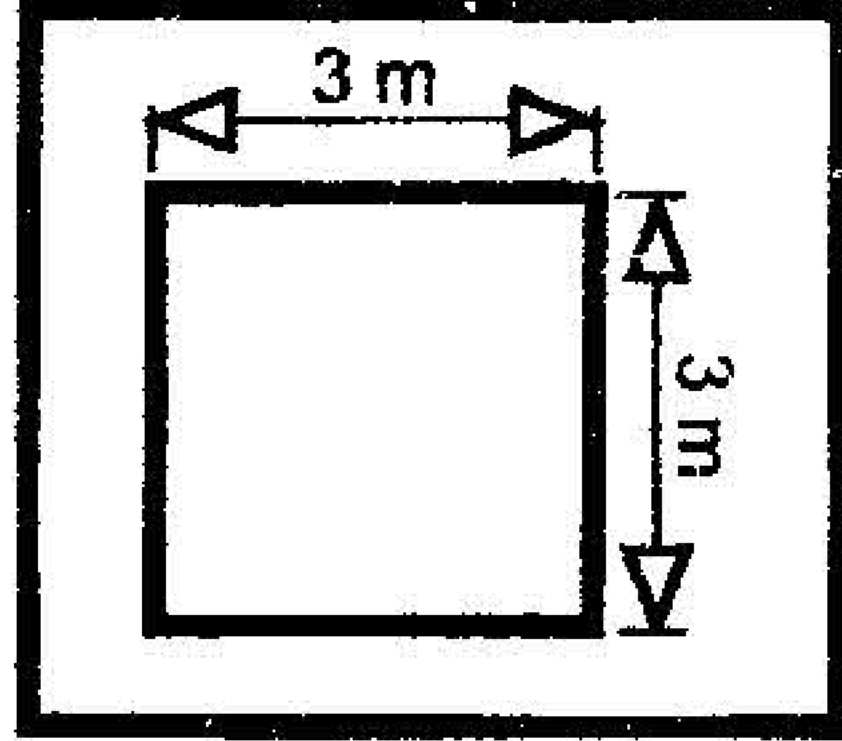
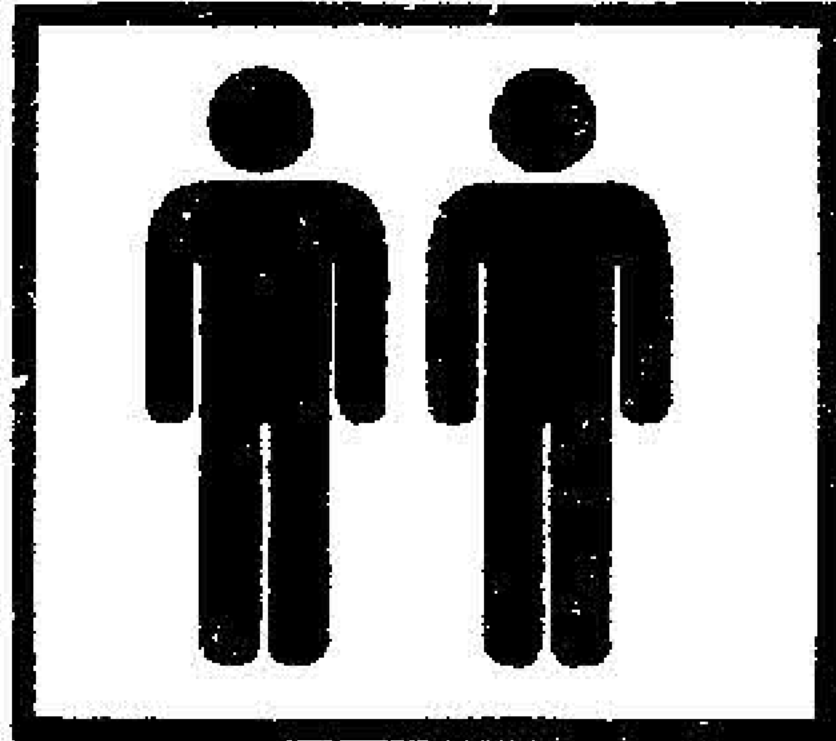
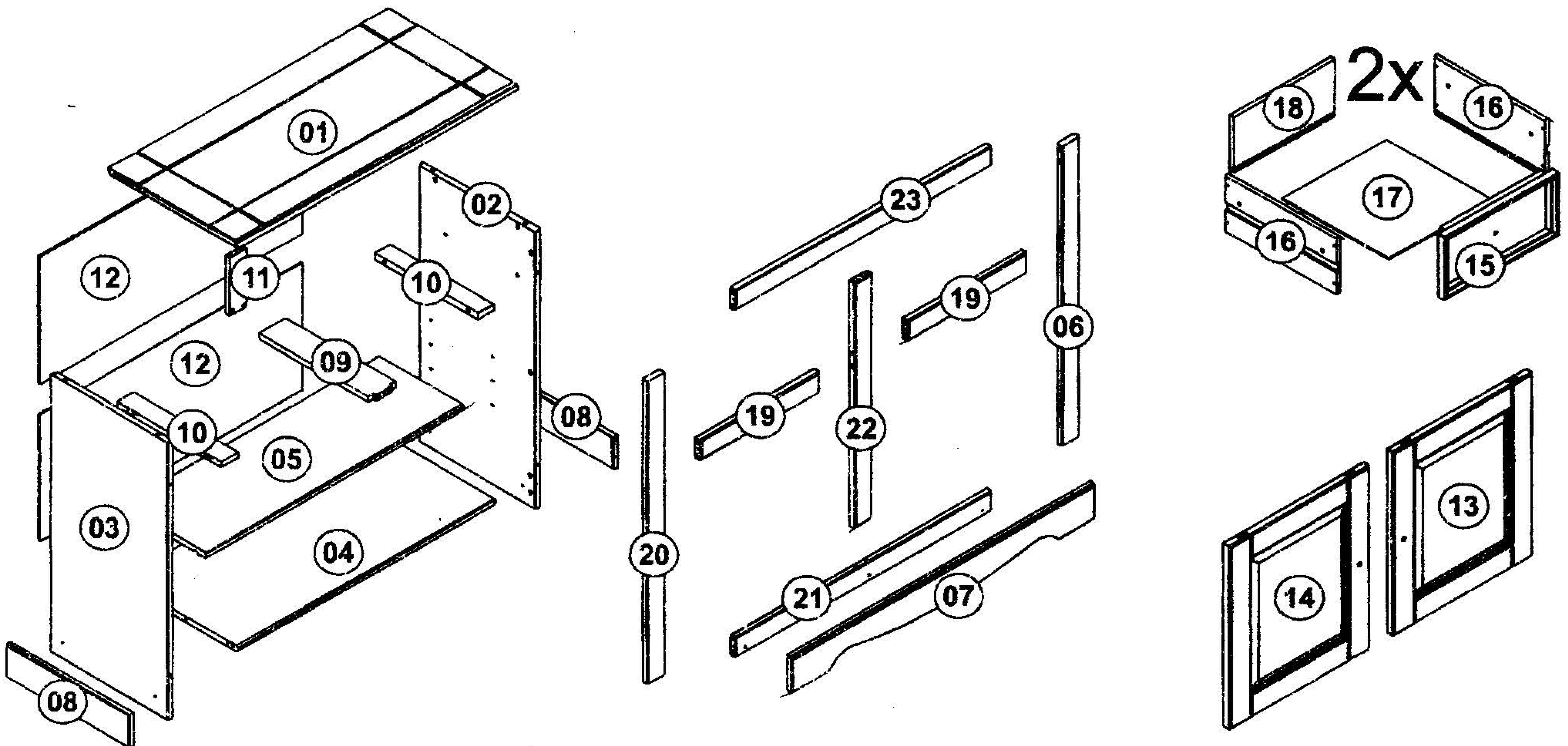


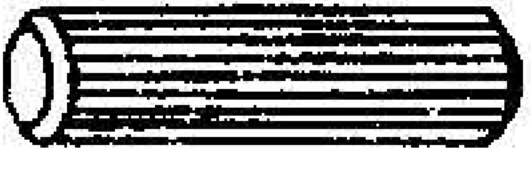







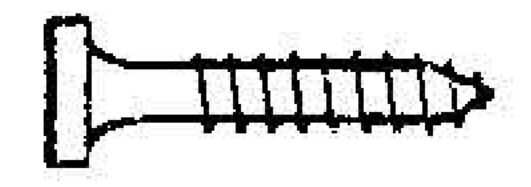
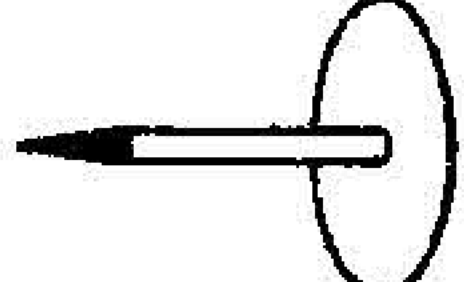

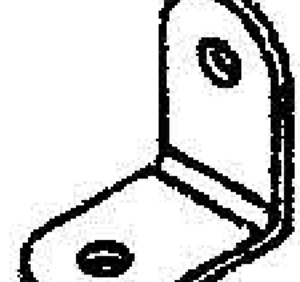
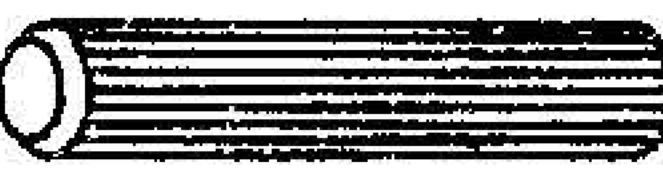
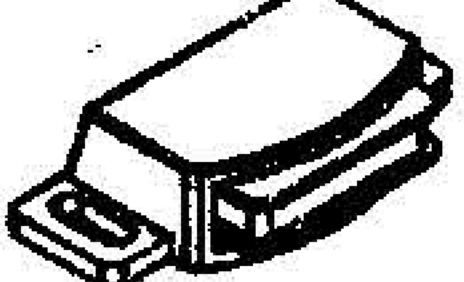

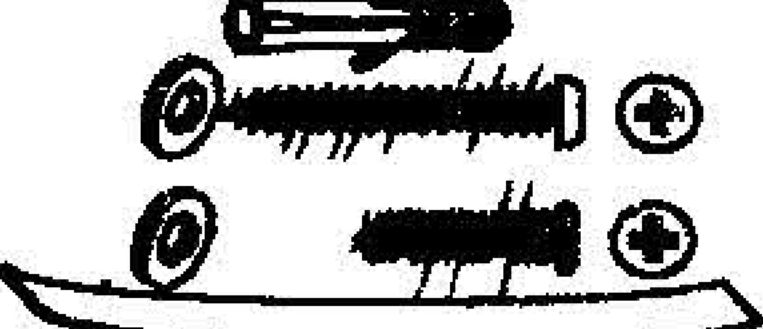

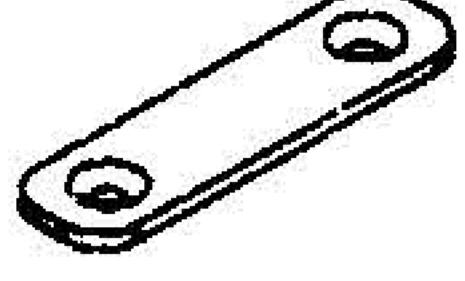
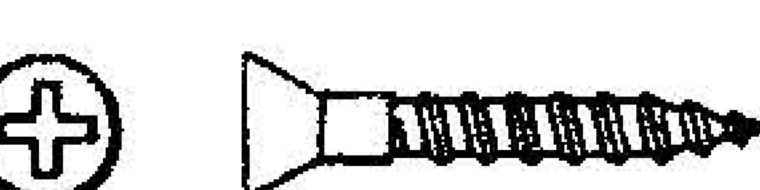
2 DOOR 2 DRAWER SIDEBOARD



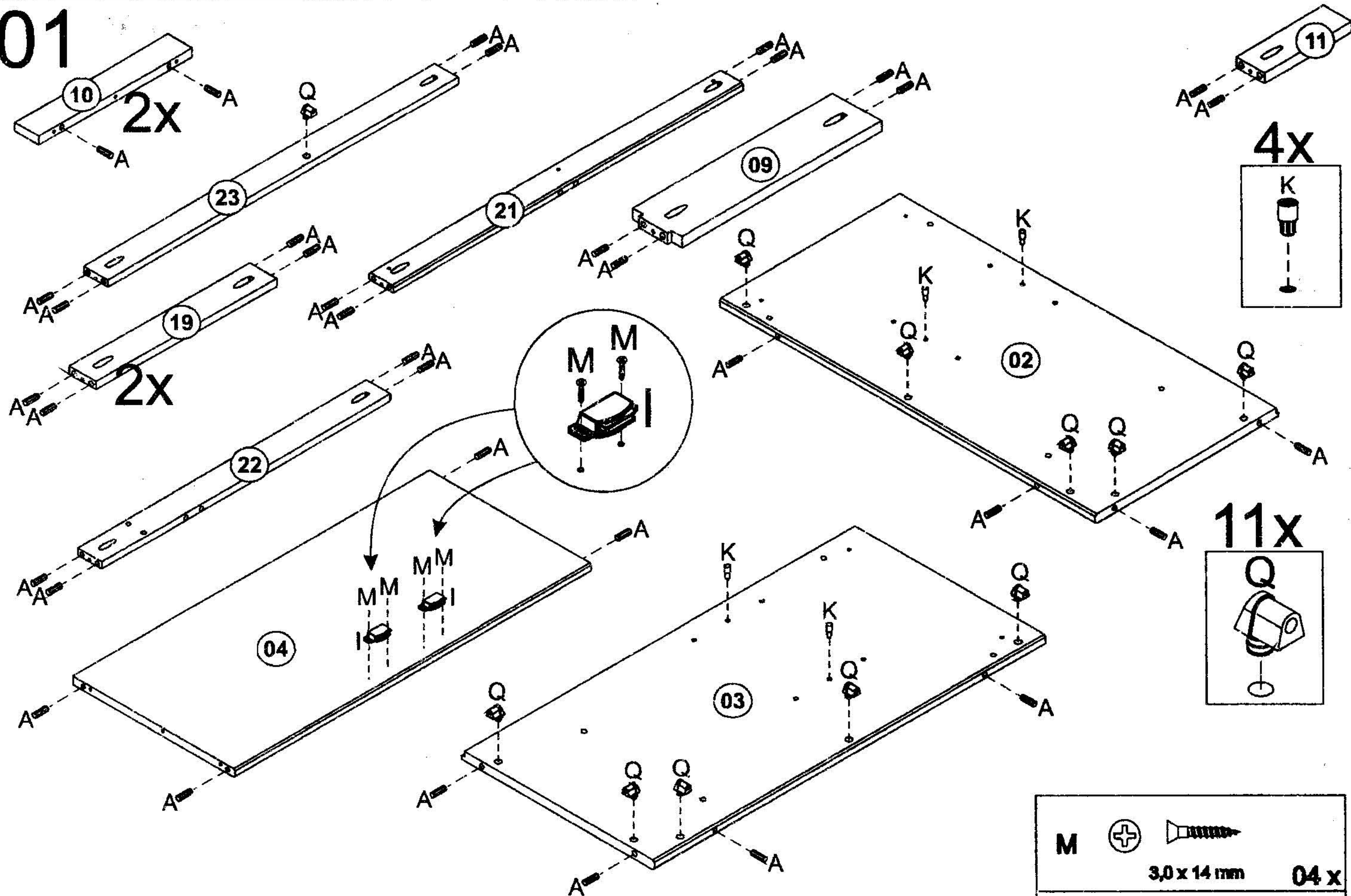
Width = 86,4cm
Depth = 40cm
Height = 75,9cm

- Please check that all fittings are correct before assembling the item.
- Replacement parts can be supplied for any damages to the item.
- Please keep all packaging until the item is assembled as we will require information from this if replacement parts are required.
- If you have any questions regarding the assembly of your item please call 01709 836856 or email admin@mercercsfurniture.co.uk



A		8,0 x 25 mm	42 x	F		04 x	K		04 x	P		01 x
B		3,5 x 30 mm	25 x	G		04 x	L		04 x	Q		11 x
C		4,0 x 25 mm	18 x	H		04 x	M		10 x	R		01 x
D		8,0 x 40 mm	04 x	I		02 x	N		24 x	Y		01 x
E		8 x 8	28 x	J		02 x	O		16 x			

01



M		3,0 x 14 mm	04 x
---	--	-------------	------

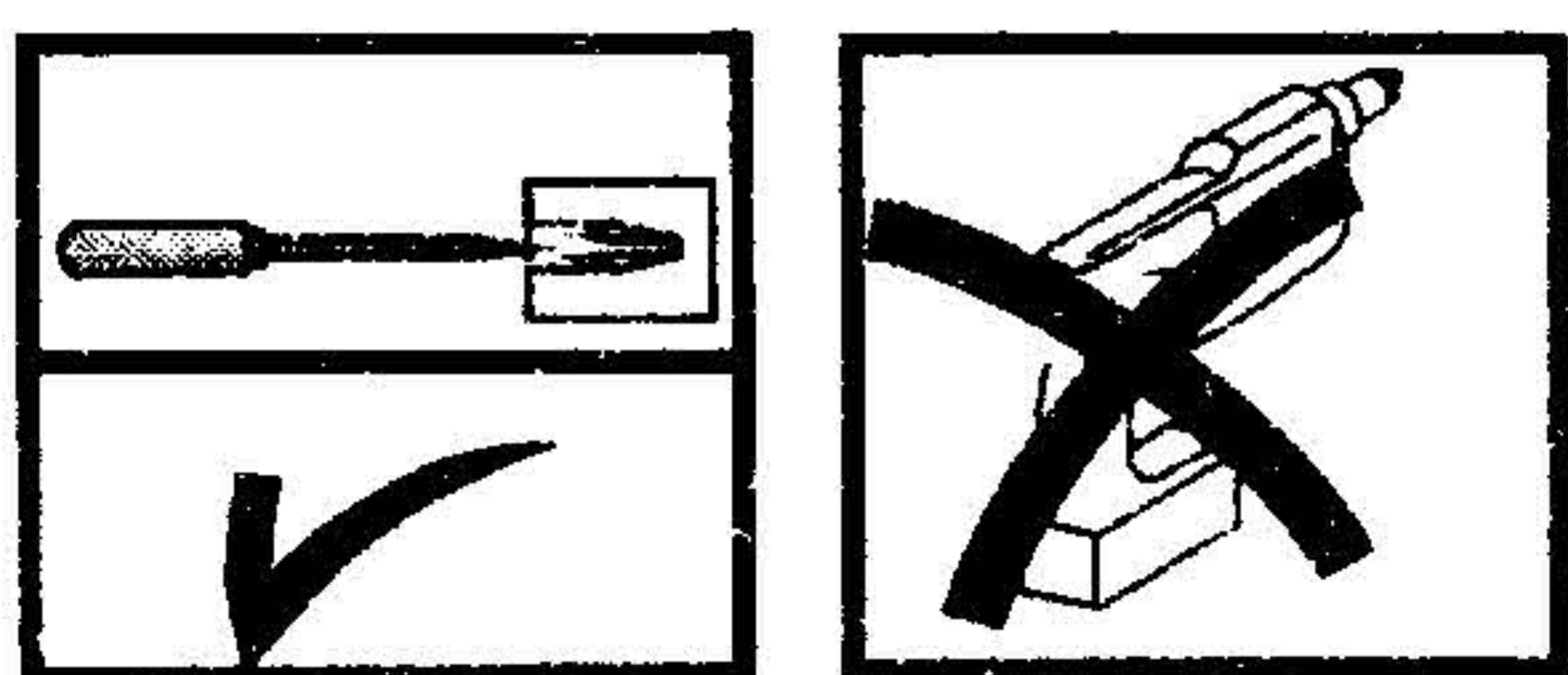
A		8,0 x 25 mm	42 x
---	--	-------------	------

I			02 x
---	--	--	------

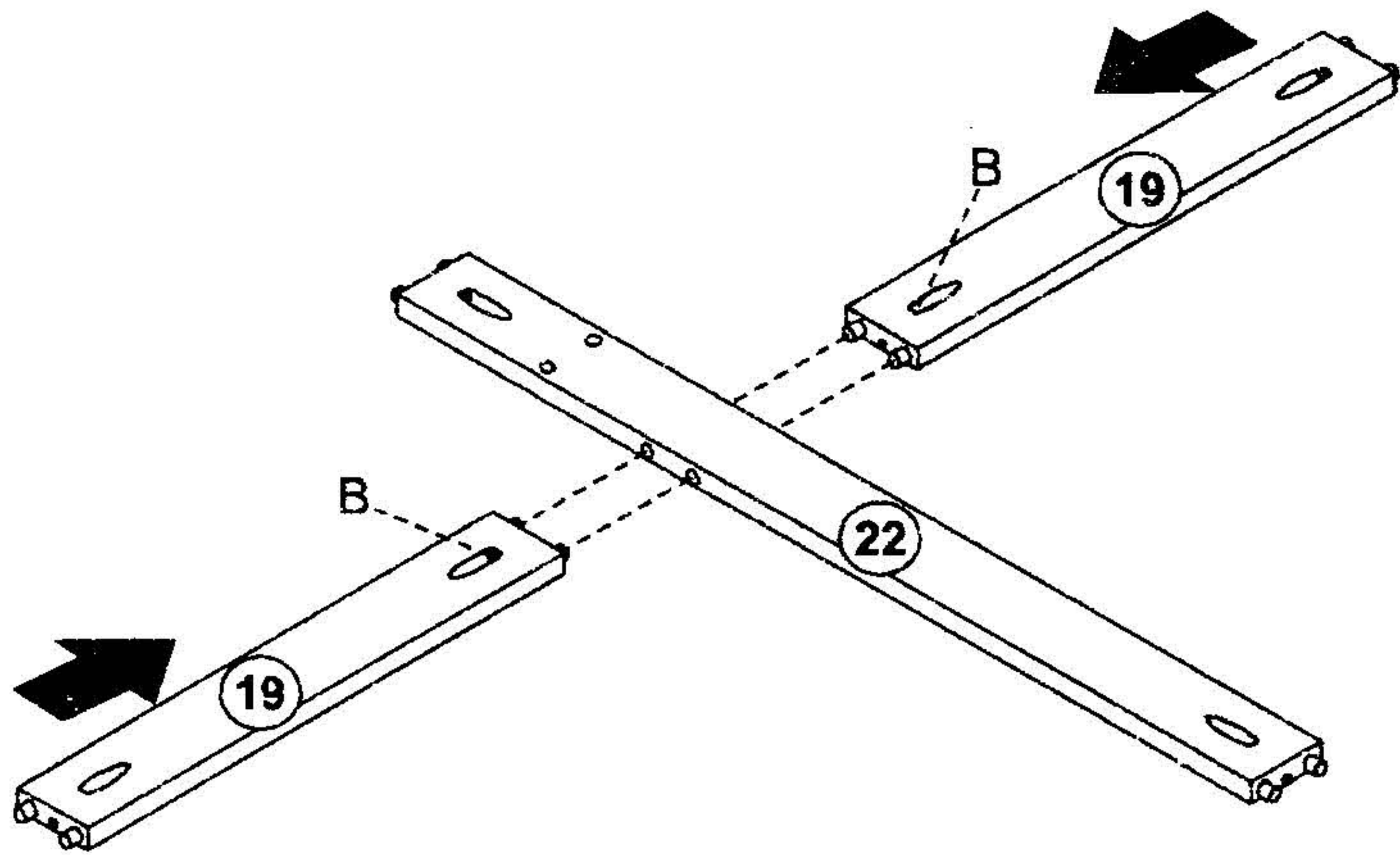
K			04 x
---	--	--	------

Q			11 x
---	--	--	------

02

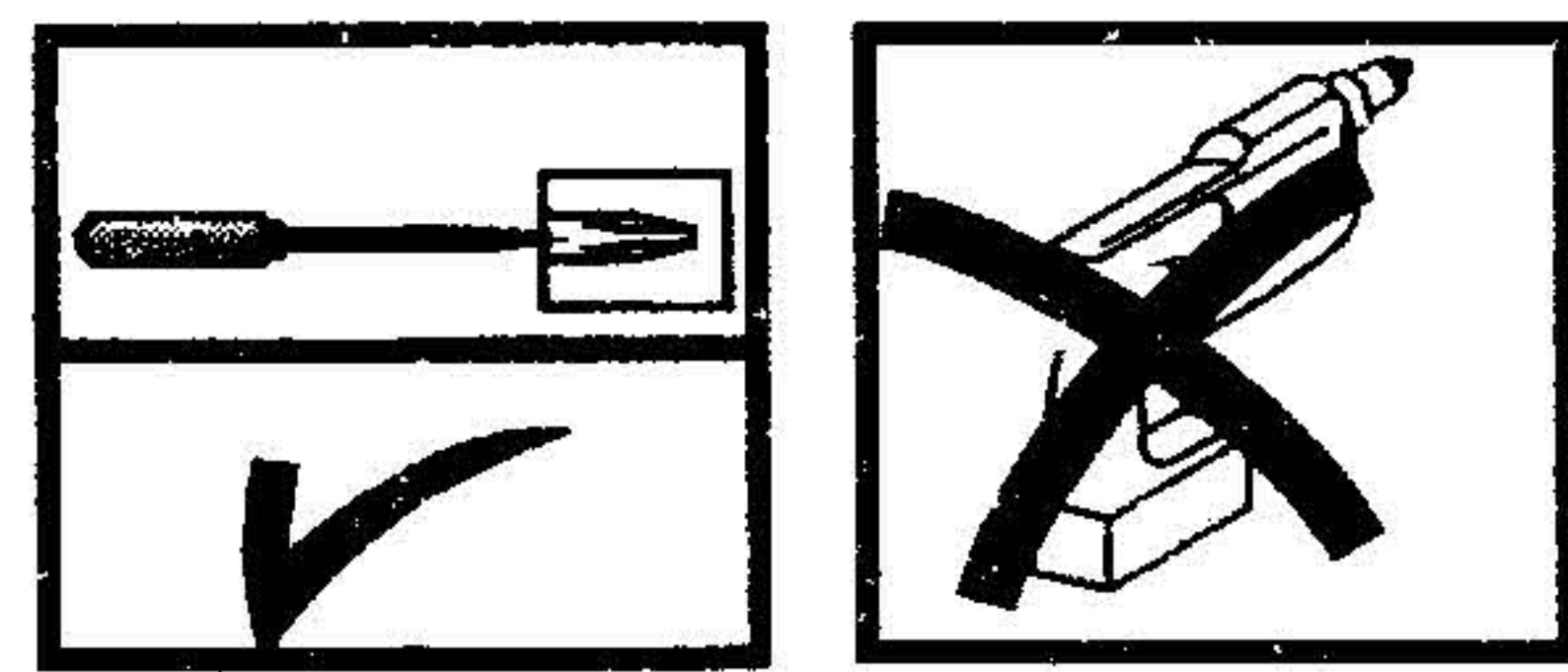


ASSEMBLE ON A PLAIN SURFACE

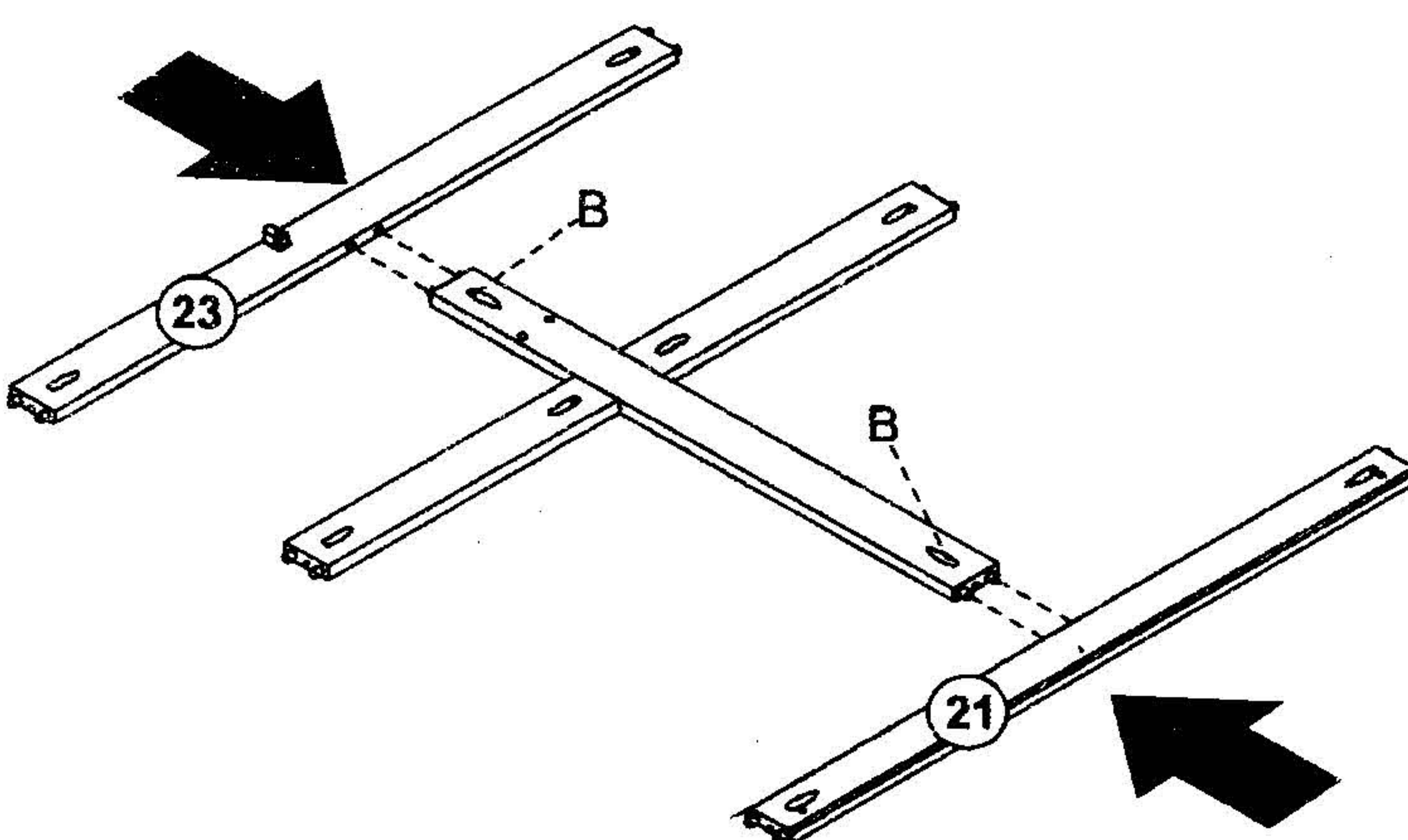


B		3,5 x 30 mm	02 x
---	--	-------------	------

03



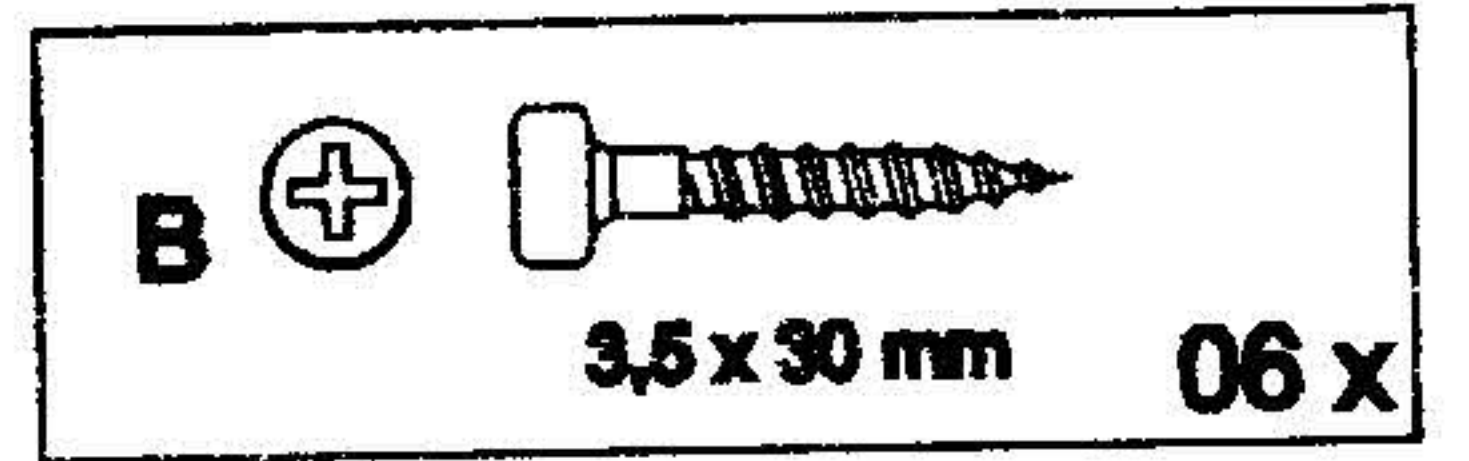
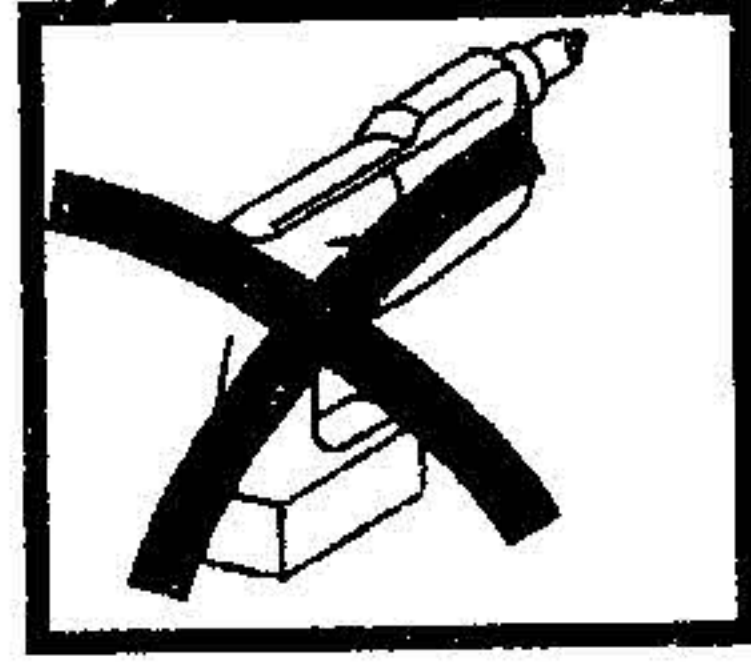
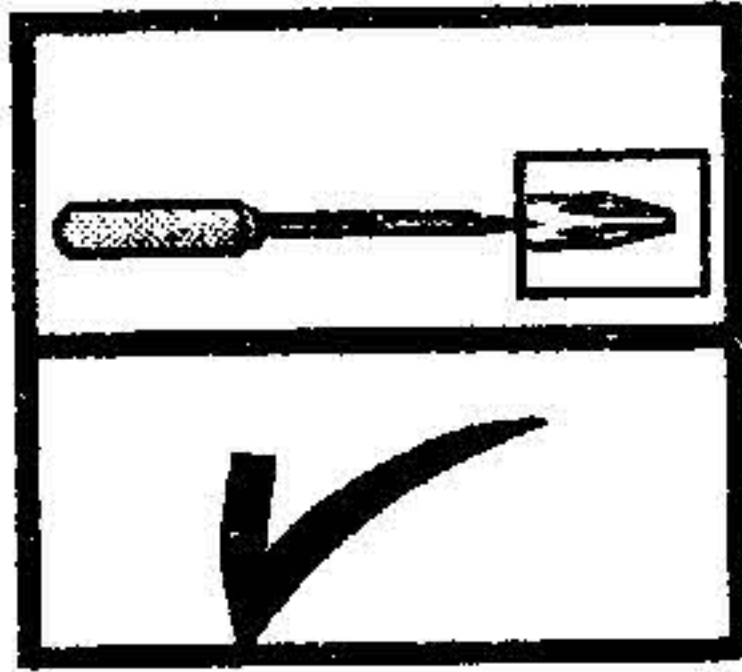
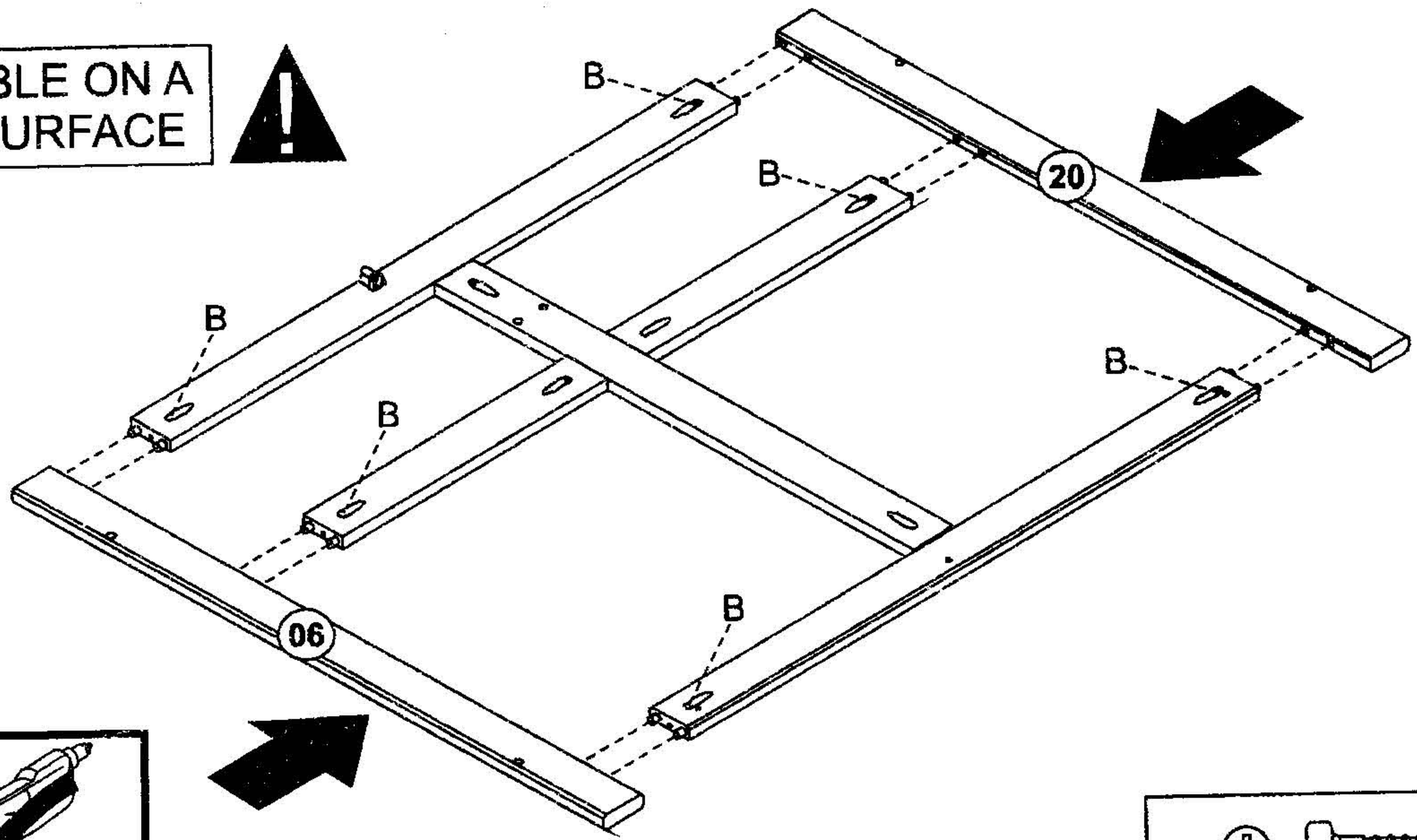
ASSEMBLE ON A PLAIN SURFACE



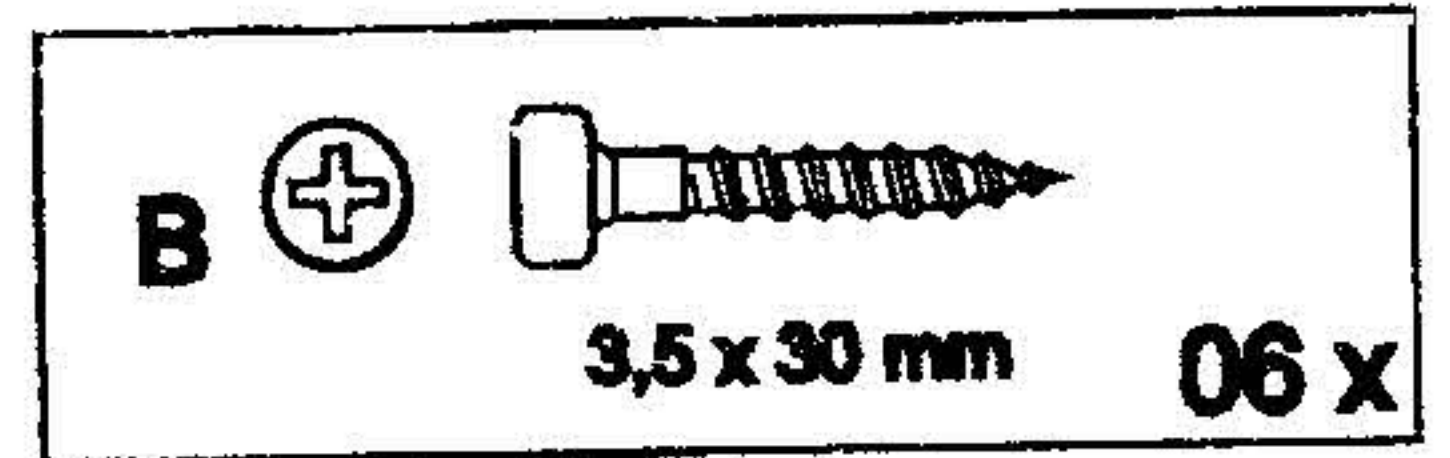
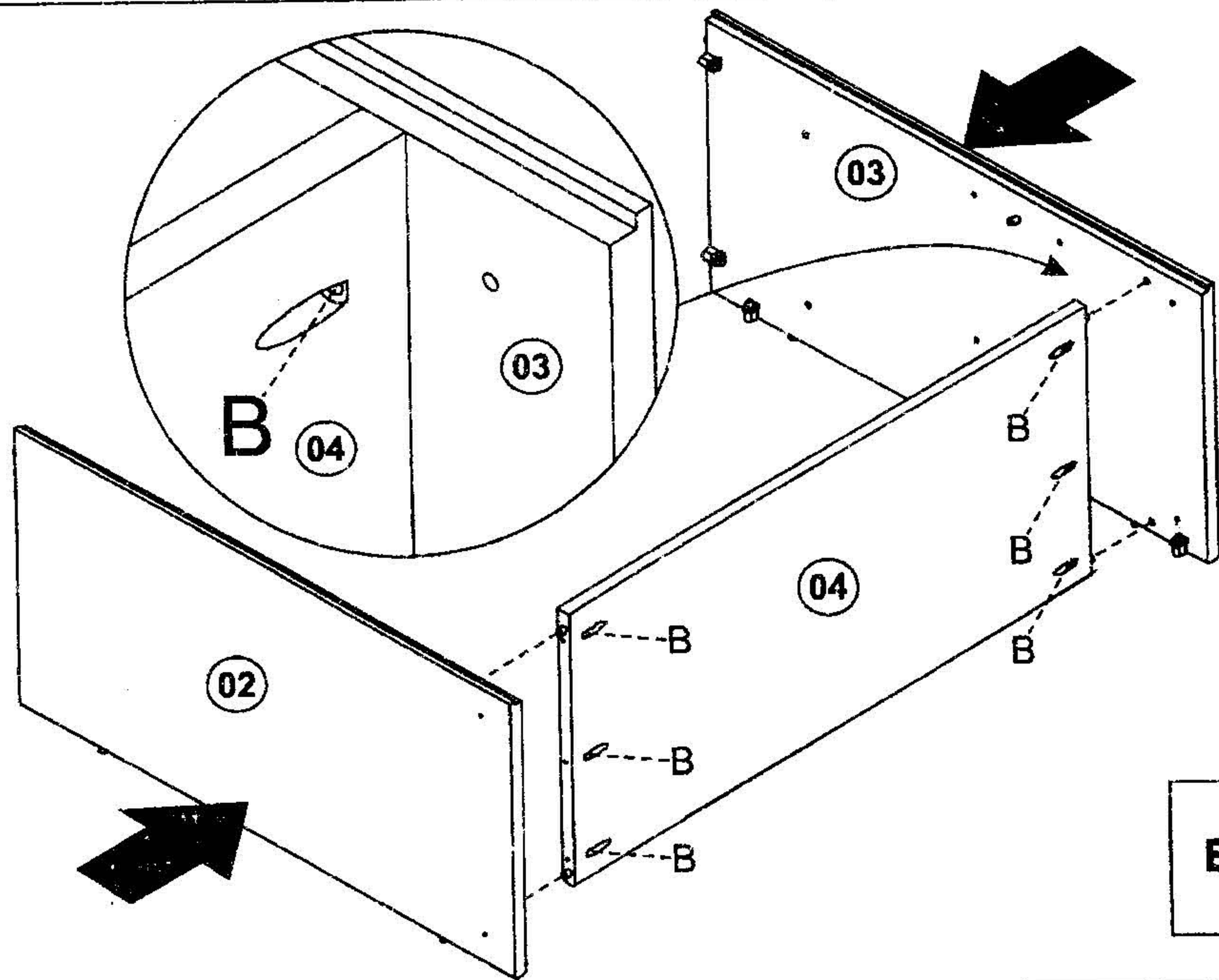
B		3,5 x 30 mm	02 x
---	--	-------------	------

04

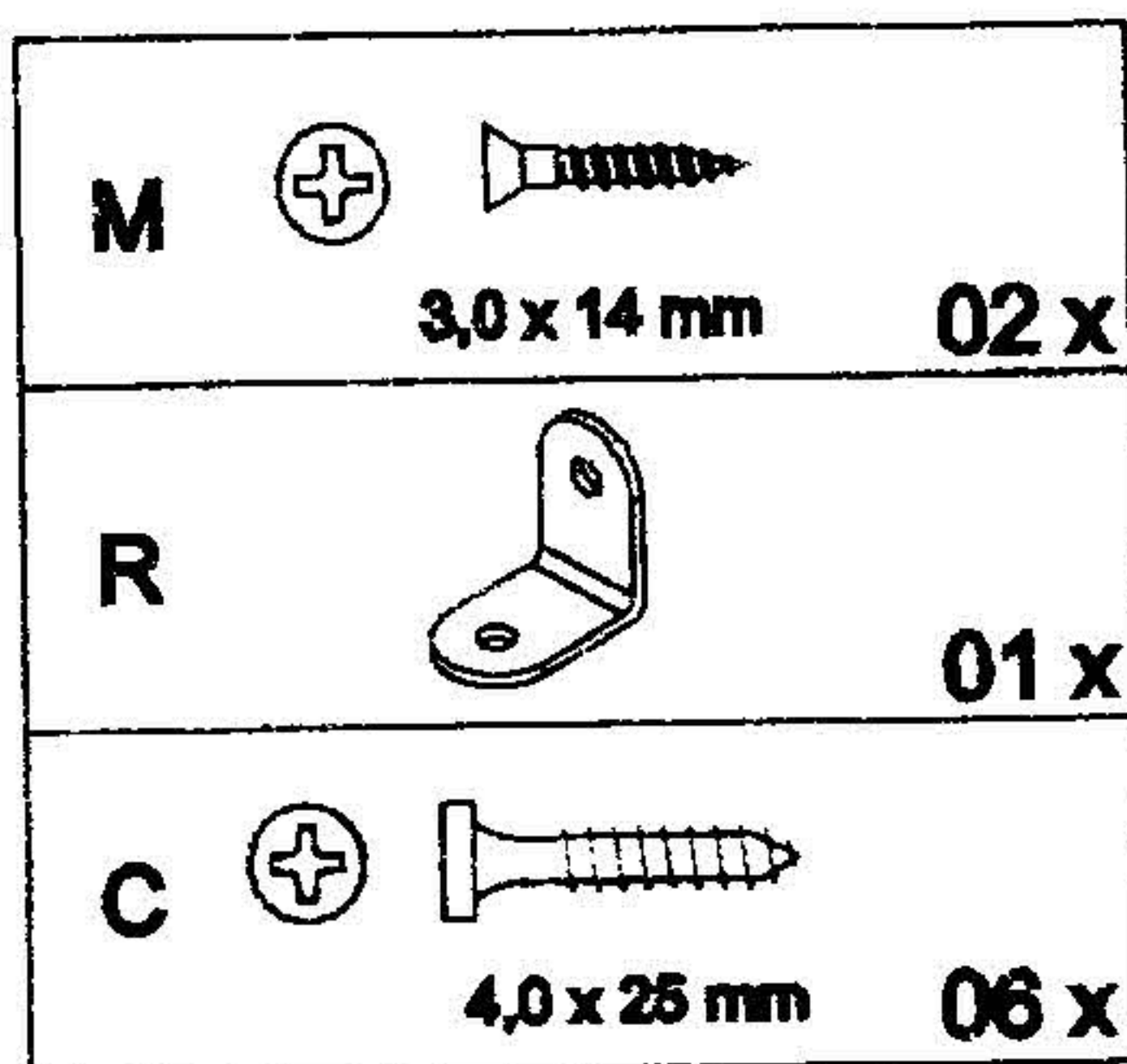
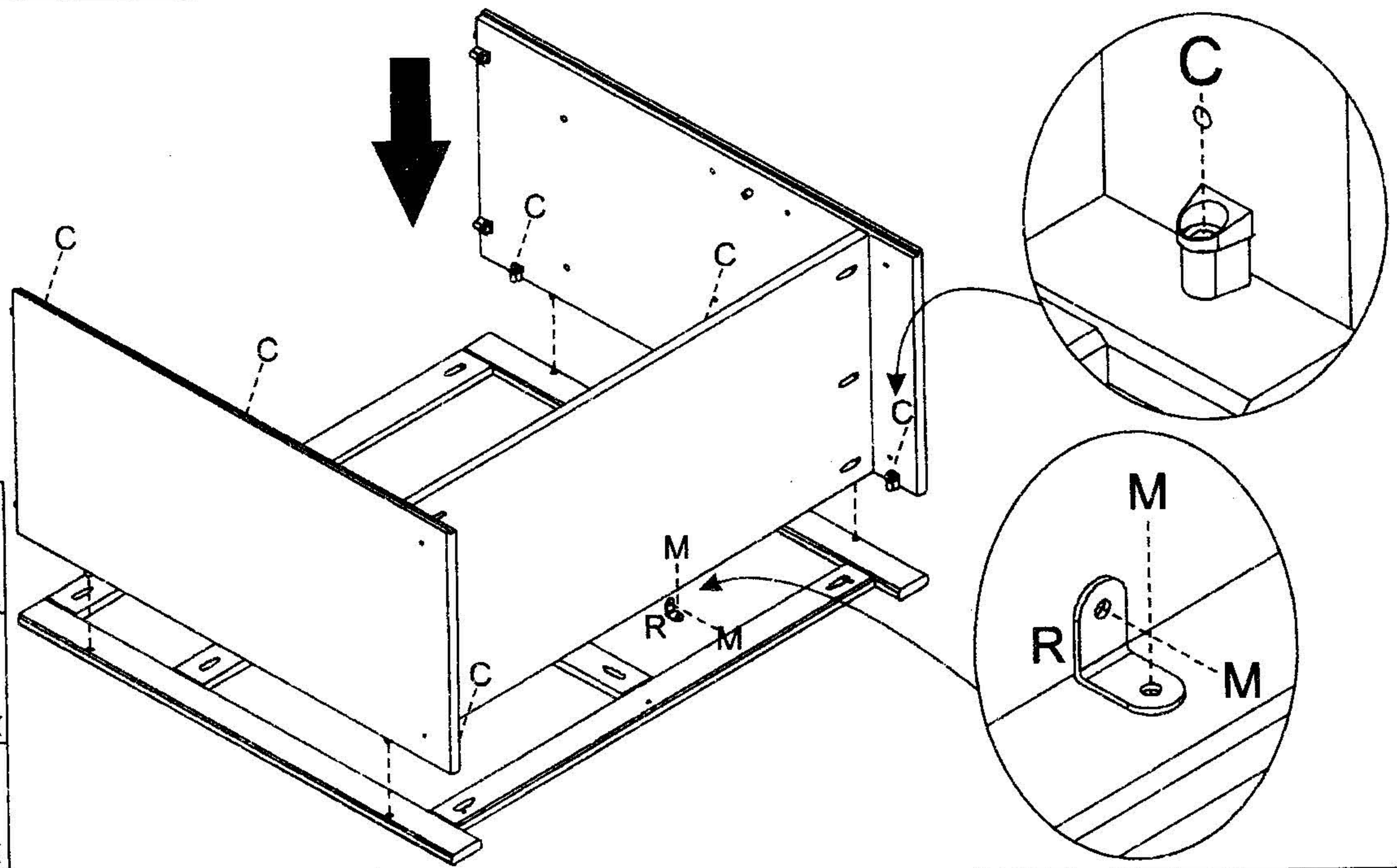
ASSEMBLE ON A PLAIN SURFACE 



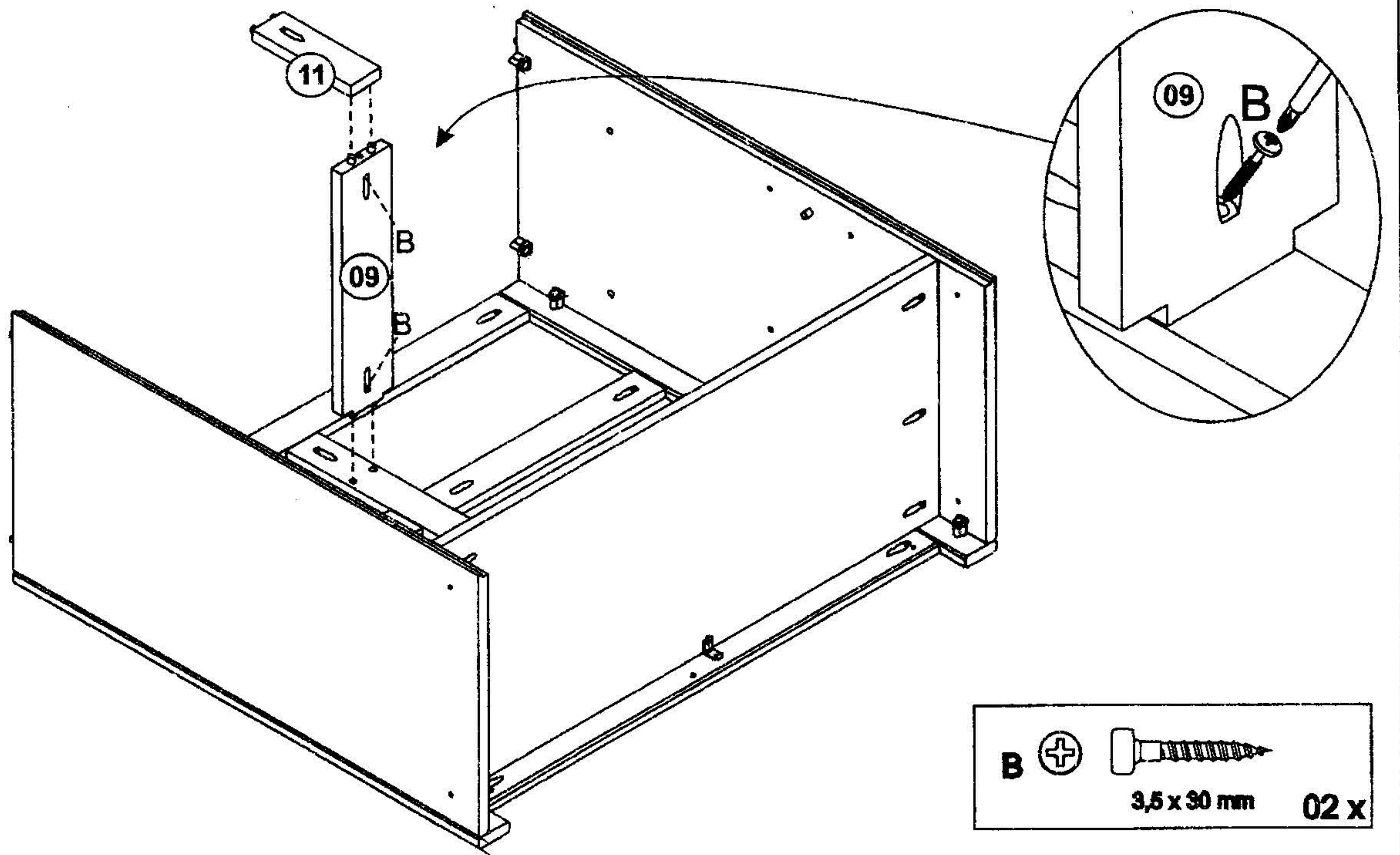
05



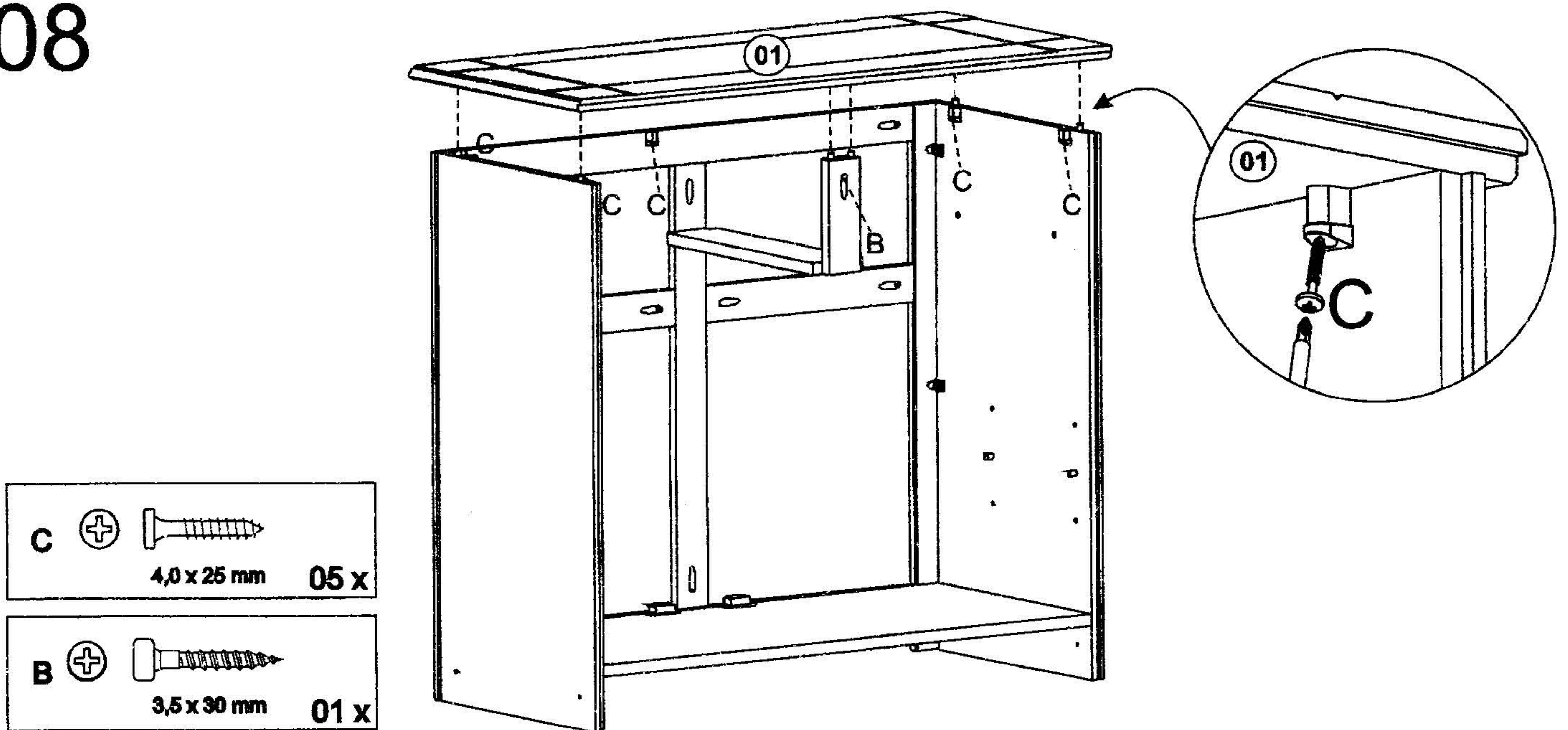
06



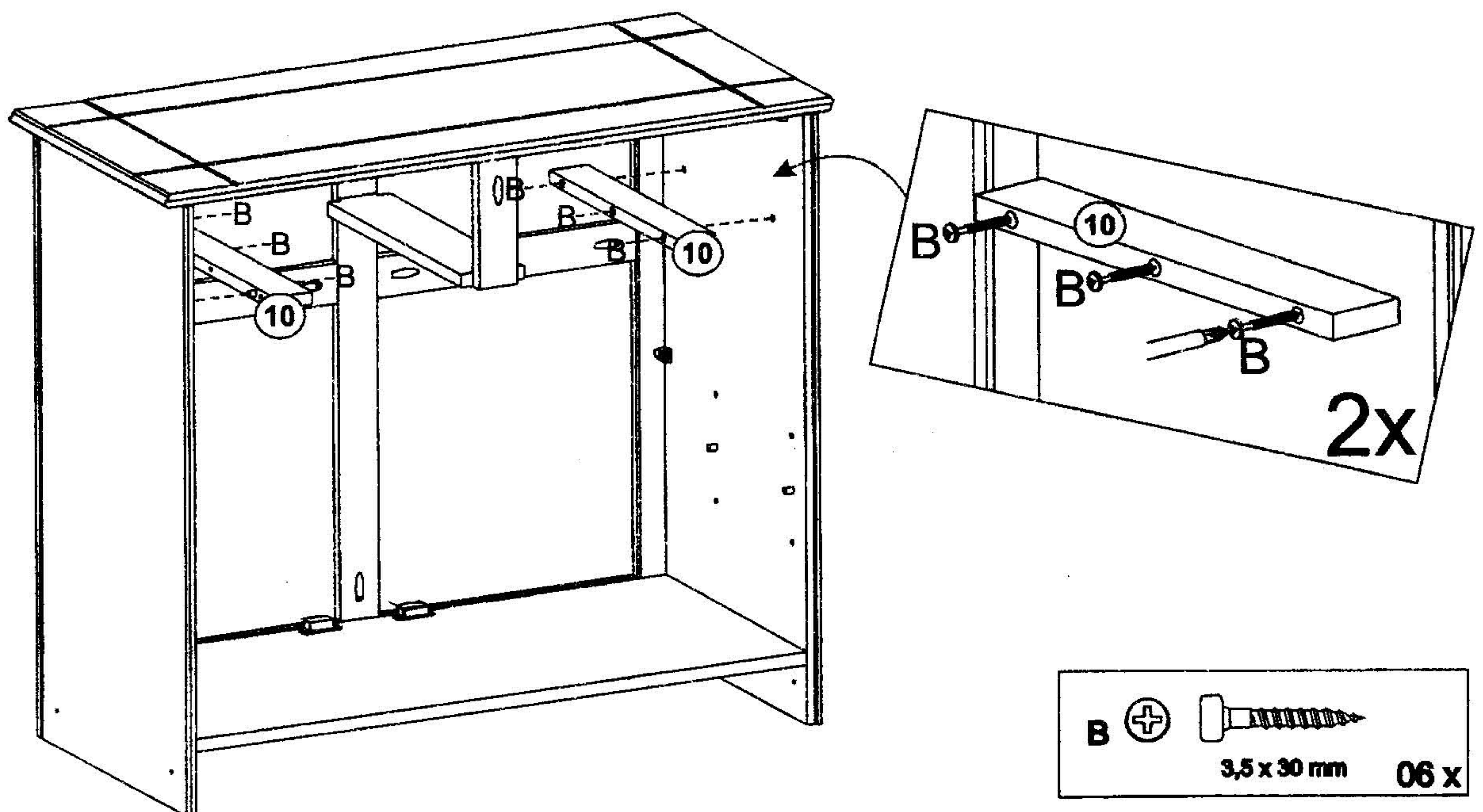
07



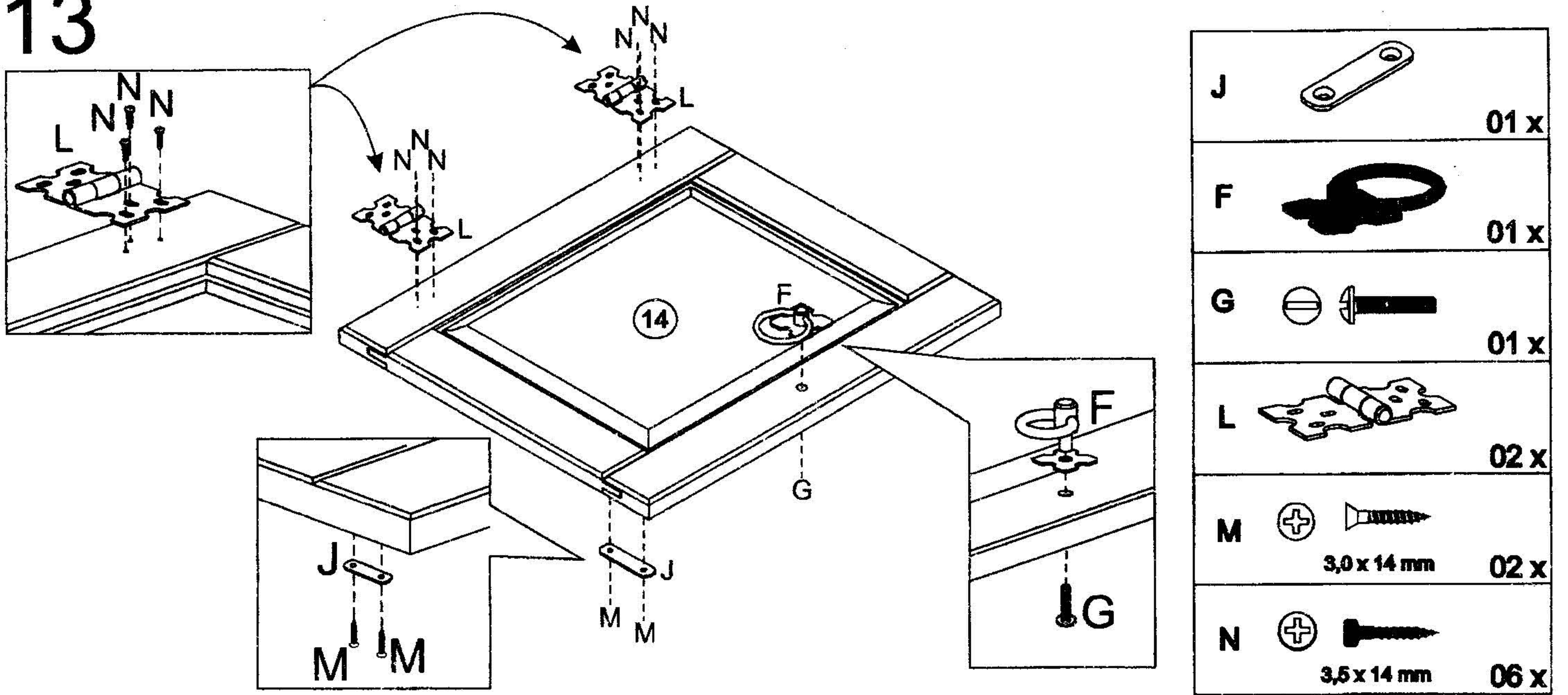
08



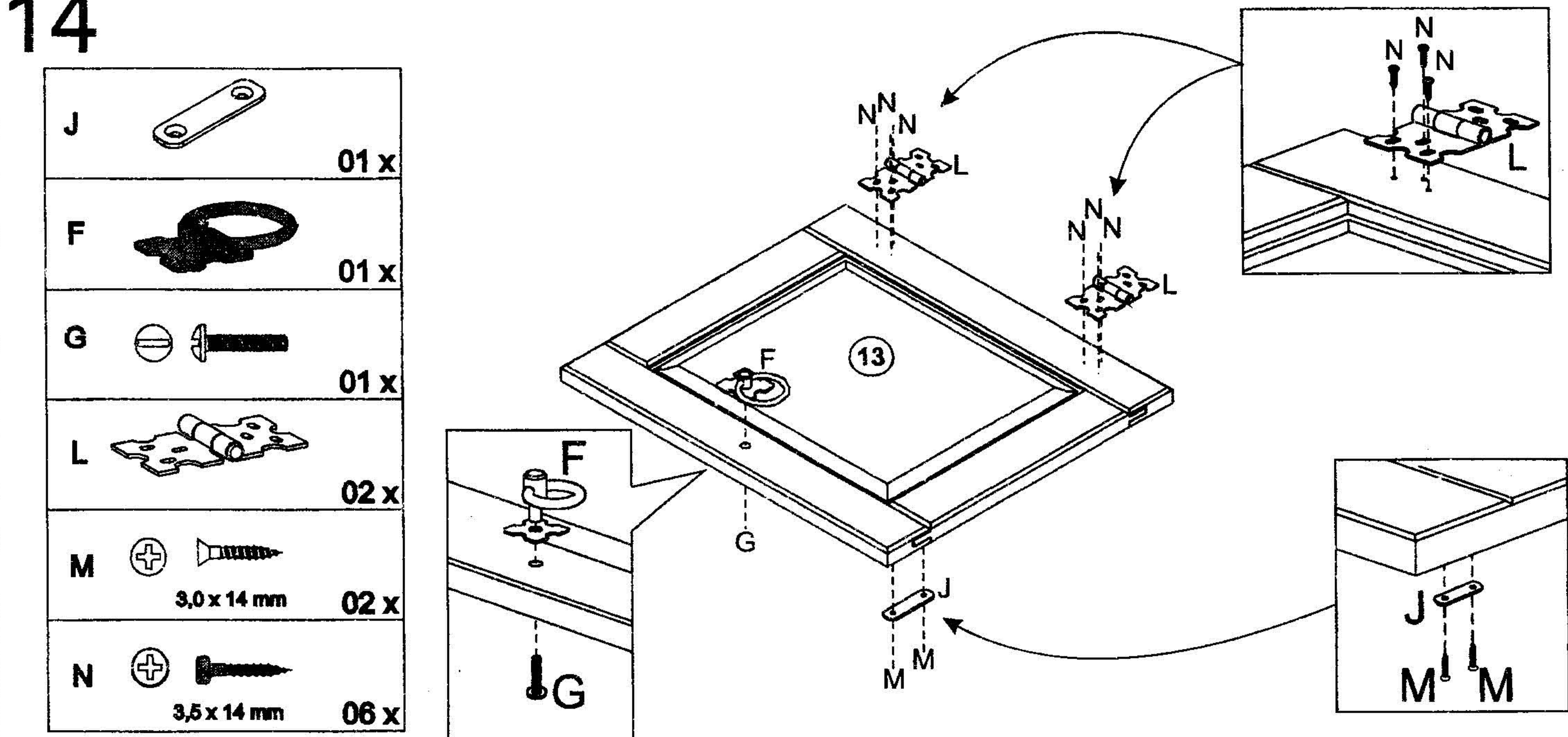
09



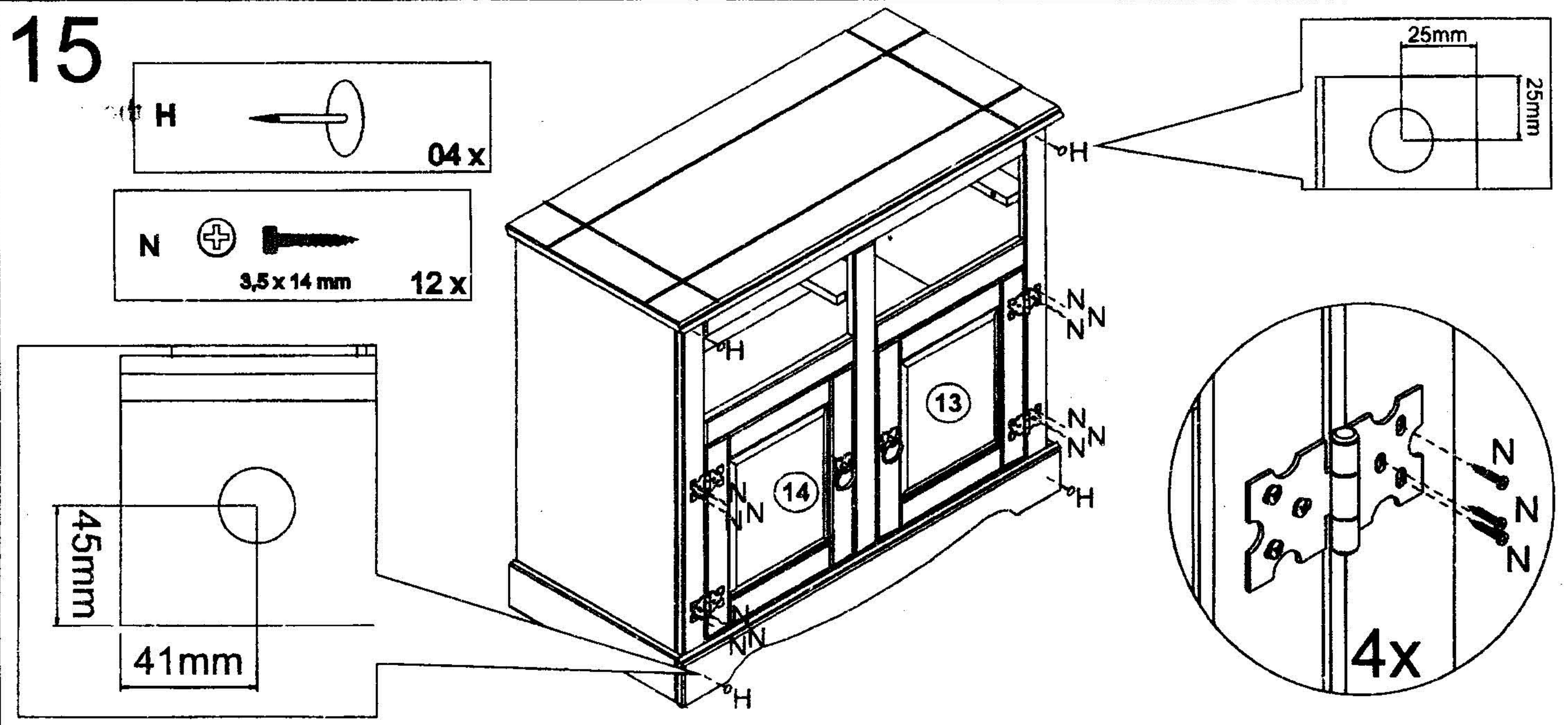
13

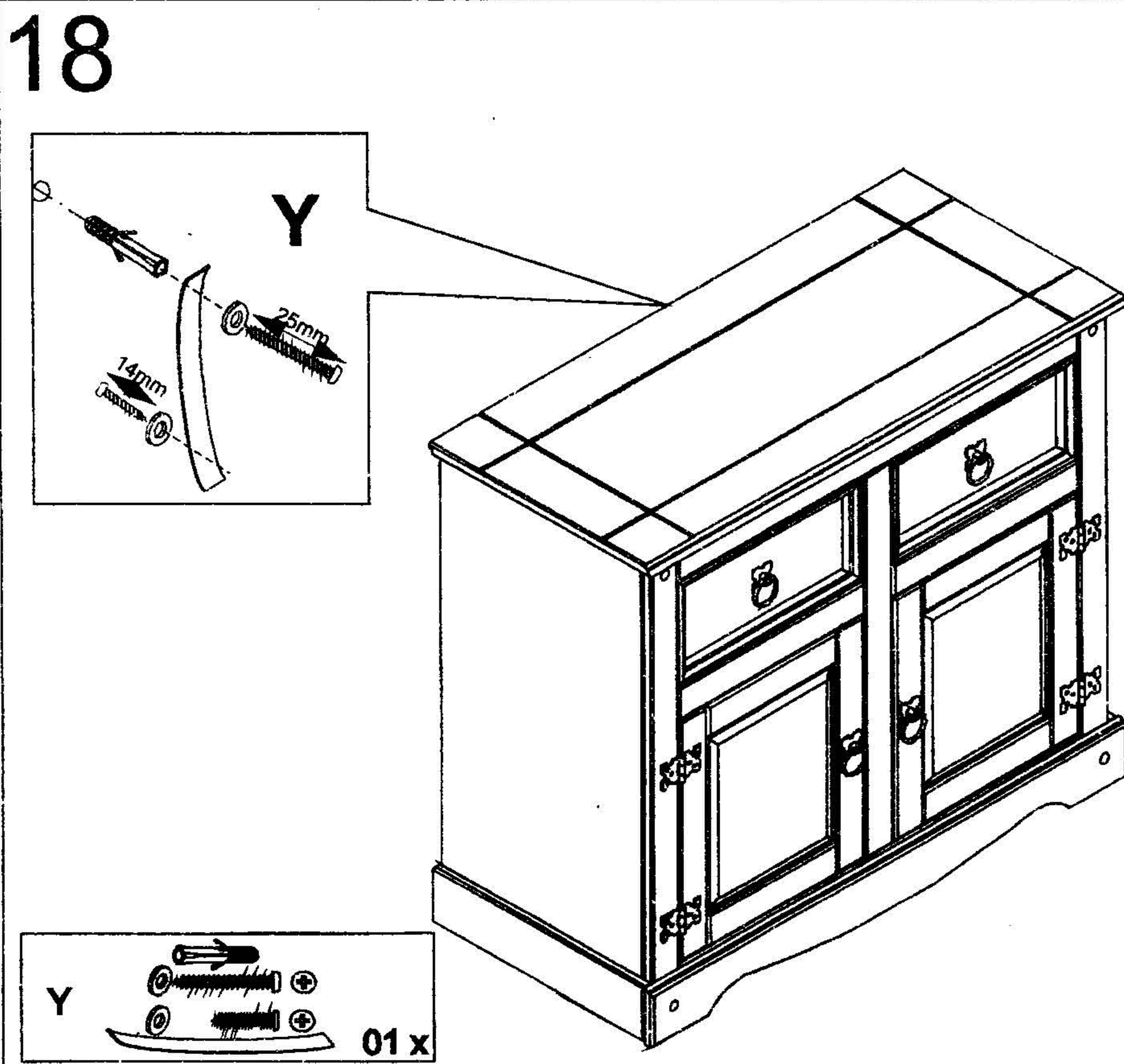
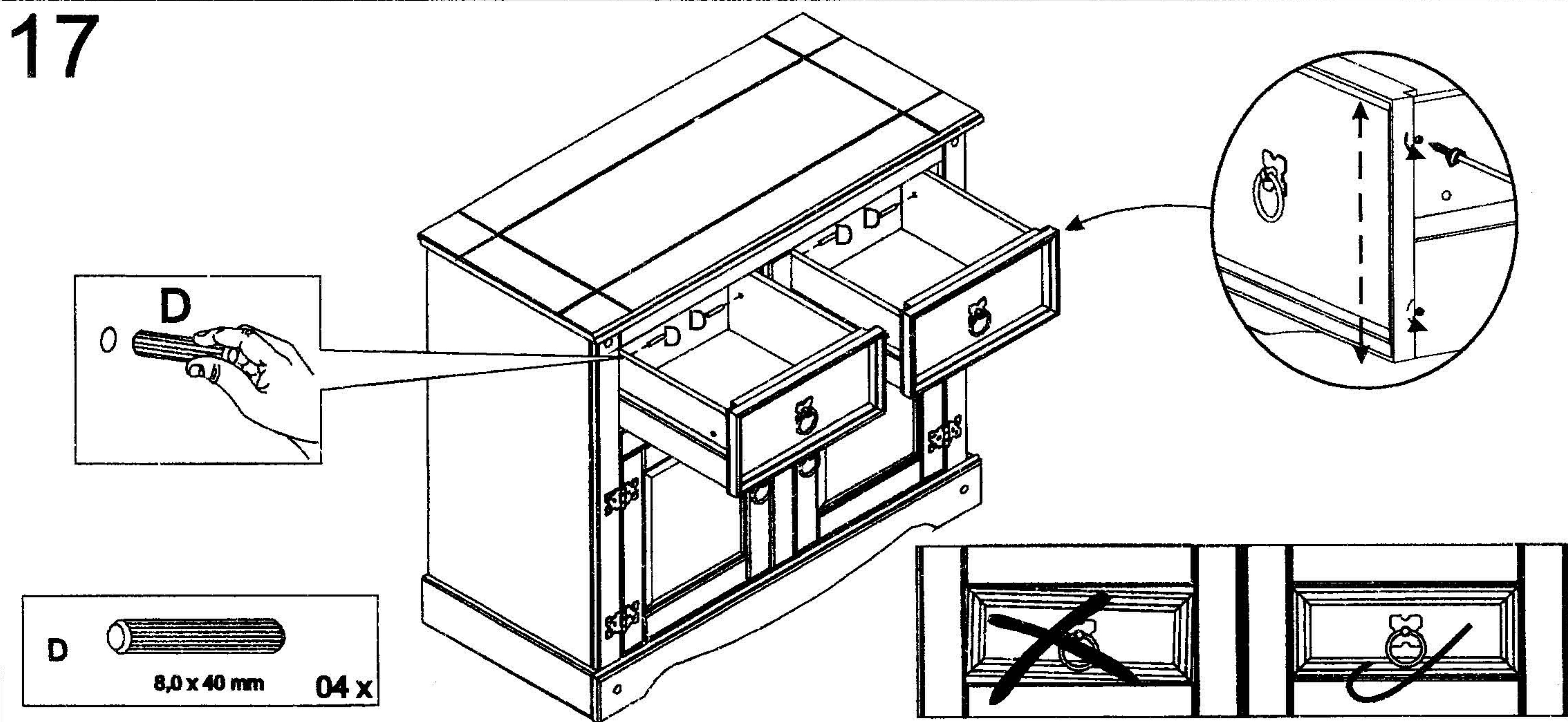
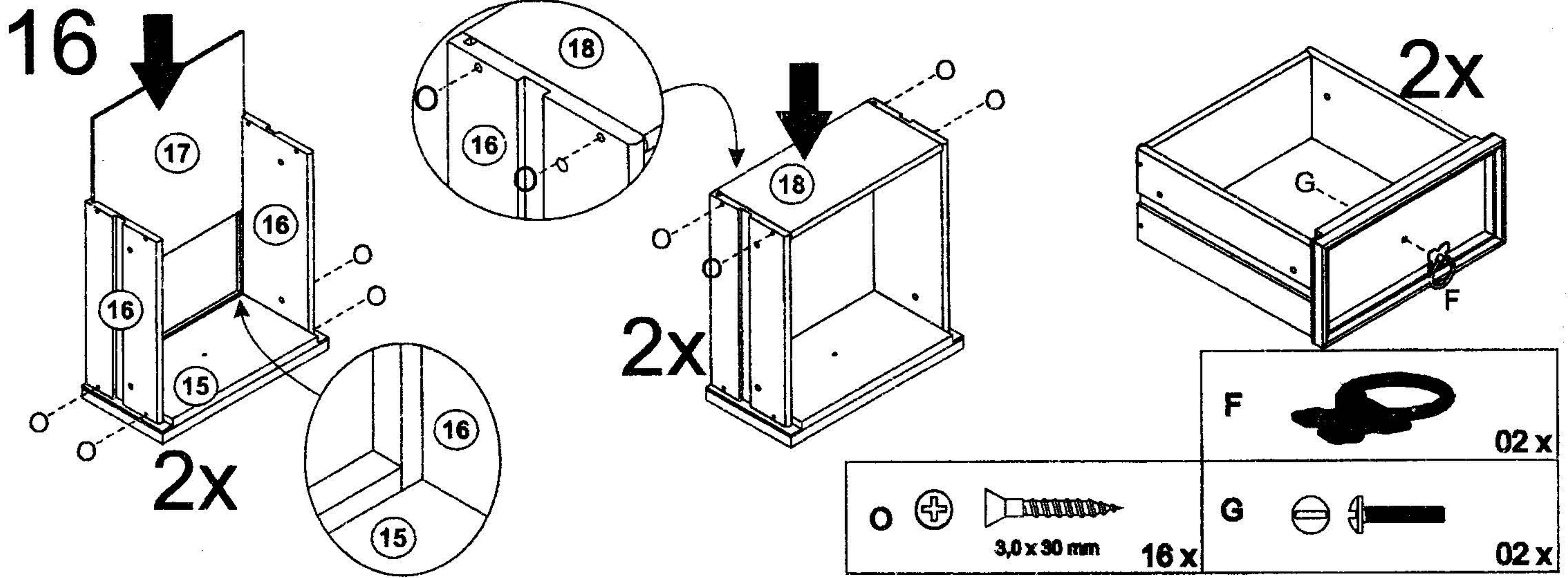


14



15





WARNING: CHECK FOR HIDDEN PIPES AND CABLES BEFORE DRILLING.

IMPORTANT: IF YOUR WALLS ARE NOT SOLID LIKE BRICK OR STONE, IT WILL REQUIRE SPECIAL FITTINGS (NOT SUPPLIED).

- Place the fixing strip against the wall and mark the position for drilling hole.
- Drill a hole in the wall to a depth of 30mm by using a 6mm drill bit. If the surface of your wall is soft and crumbly, we would advise you to use a 5mm drill bit for a tighter fit.
- Insert the wall plug into the hole with end flush to the wall surface.
- Attach fixing strip to the wall using the 25mm screw + washer and securely tighten.
- Pre-drill small pilot hole on the back edge of the furniture top using a 2mm drill bit. Attach the other end fixing strip to the back edge of the furniture top using the 14mm screw + washer and securely tighten.