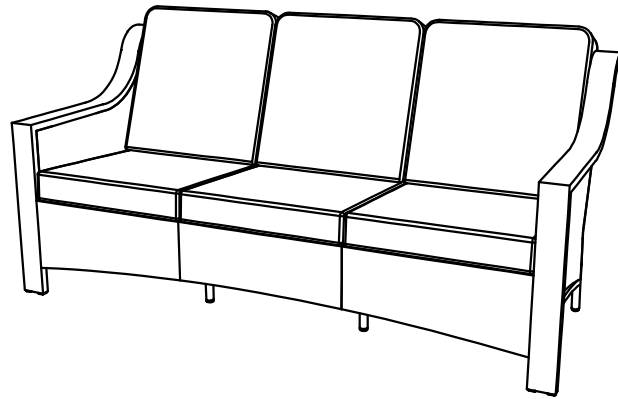


Assembly Instruction

Advice:

1. Power tools are suggested to be used during installation.
2. More than one person may be required to assemble this product.
3. The best advice is not tightening up any screws until the whole piece is assembled. If having difficulty aligning holes, loosen the screws already installed and readjust the armrest.
4. To avoid mess-up or mismatch, please use the hardware of each box to install the furniture in the same box.

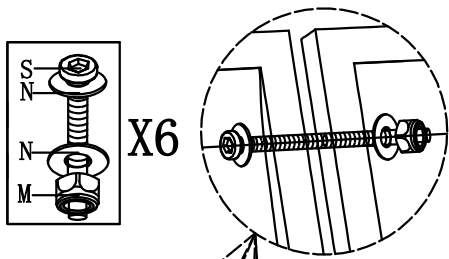


3-Seat Sofa

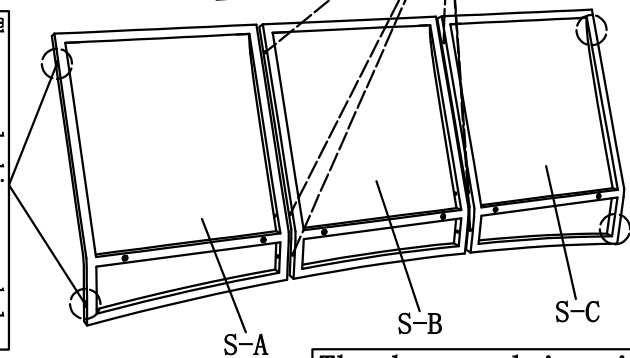
Parts List

NO.	Picture	Description	QTY
S-A		Right Sofa Back	1
S-B		Center Sofa Back	1
S-C		Left Sofa Back	1
S-G		Right Arm	1
S-I		Long Center Sofa Legs	2
Z		Screw (M6*16)	16
V		Screw (M6*35)	4
U		Screw (M6*40)	6
N		Washer (M6)	58
M		Nut (M6)	14
S-K		Seat and Back Cushion	3
S-D		Right Sofa Seat	1
S-E		Center Sofa Seat	1
S-F		Left Sofa Seat	1
S-H		Left Arm	1
S-J		Short Center Sofa Legs	2
T		Screw (M6*45)	4
S		Screw (M6*60)	10
R		Screw (M6*65)	4
L		Allen Key	1
J		Wrench (M6)	1

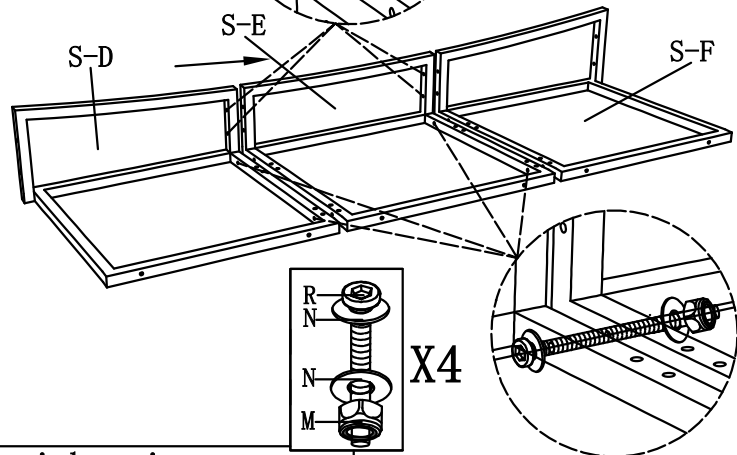
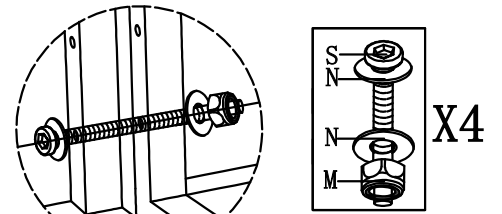
STEP 1



There are locking screw holes on side of the left and right sofa back panels.

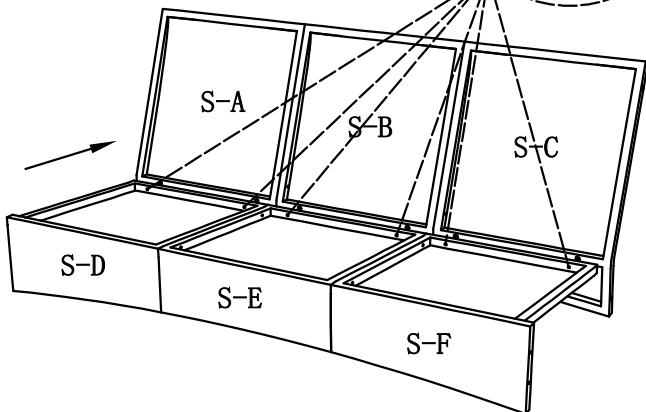
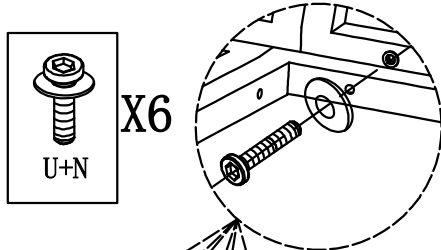


STEP 2

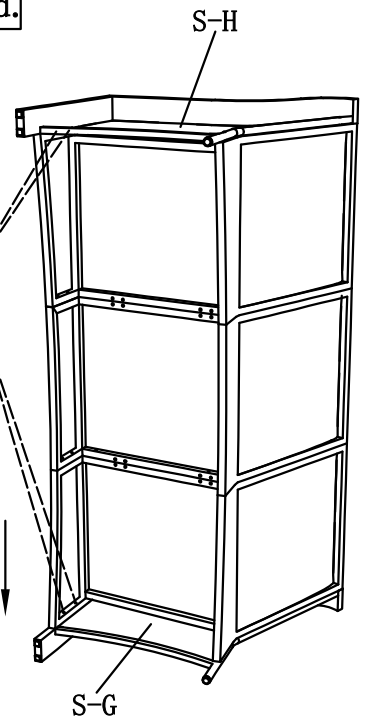
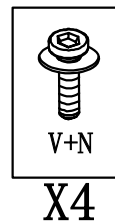
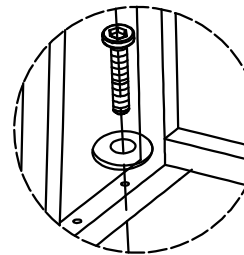


The best advice is not tightening up any screws until the whole piece is assembled.

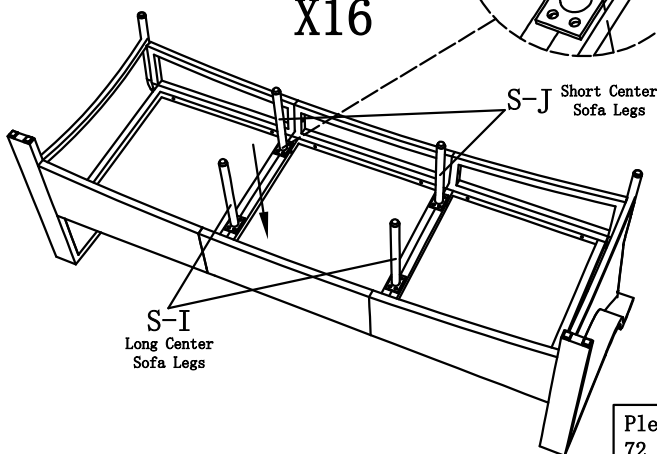
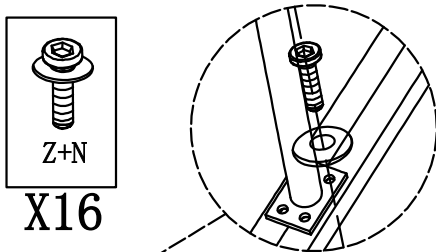
STEP 3



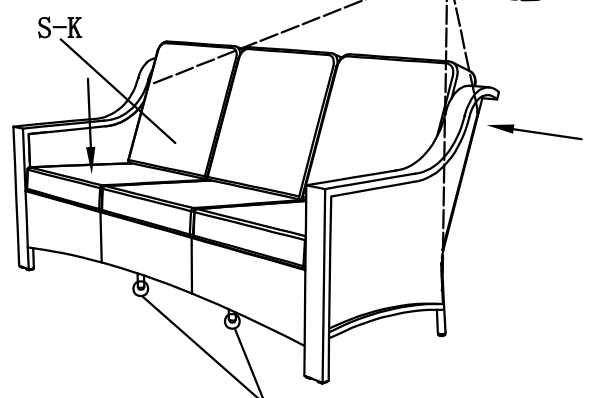
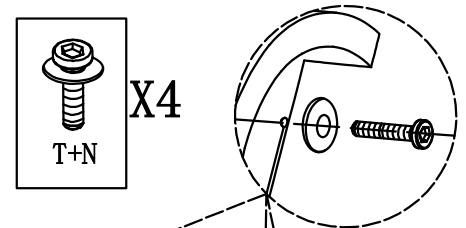
STEP 4



STEP 5



FINISH



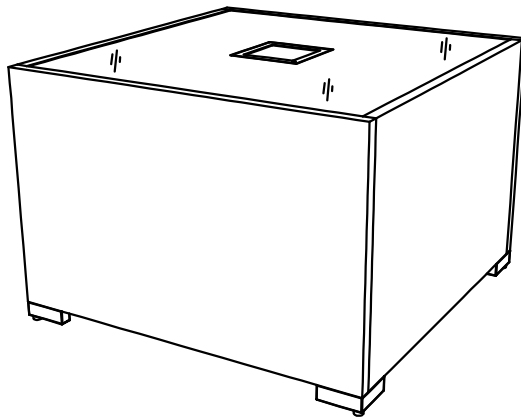
Please tap the cushions and wait 48 to 72 hours to fully rebound

When finish all the assembly of the sofa, adjust the middle legs and make the sofa parallel to the ground.

Assembly Instruction

Advice:

1. Power tools are suggested to be used during installation.
2. More than one person may be required to assemble this product.
3. The best advice is not tightening up any screws until the whole piece is assembled. If having difficulty aligning holes, loosen the screws already installed and readjust the armrest.
4. To avoid mess-up or mismatch, please use the hardware of each box to install the furniture in the same box.

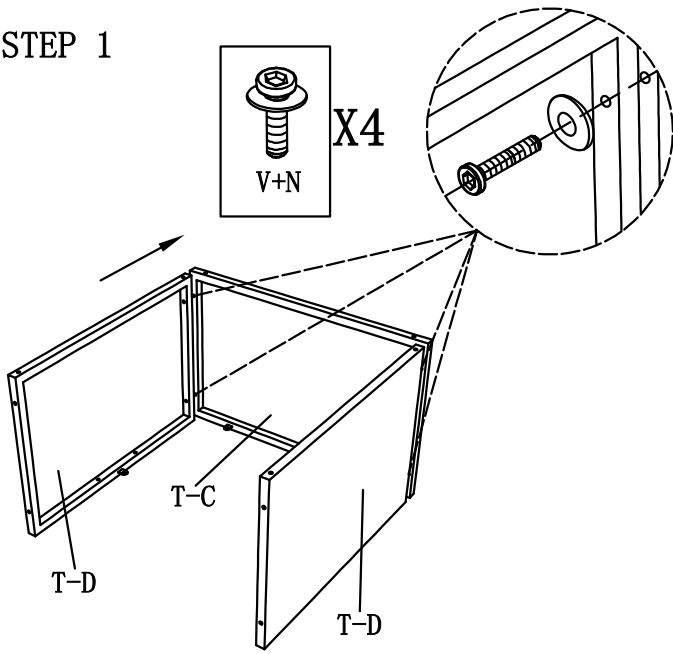


Table

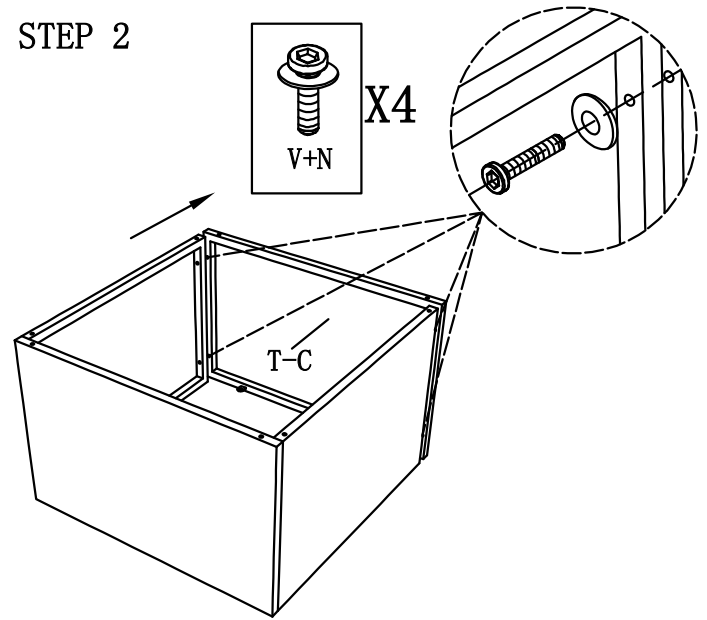
Parts List

NO.	Picture	Description	QTY	NO.	Picture	Description	QTY
T-A		Glass Top	1	F		Solar Lamp	1
T-B		Support Bracket	1	N		Washer (M6)	12
T-C		Long Side Panels	2	X		Screw (M6*25)	12
T-D		Short Side Panels	2	V		Screw (M6*35)	8
E		L Shape Foot	4	L		Allen Key	1

STEP 1

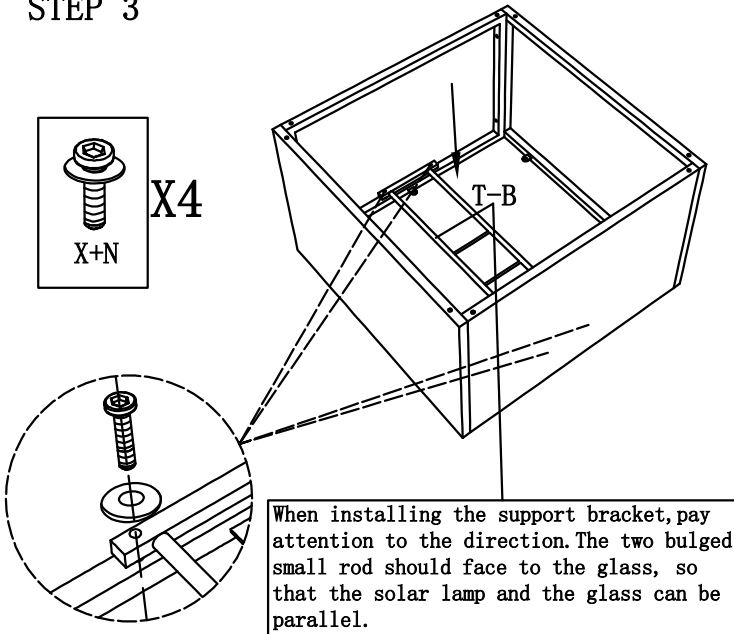


STEP 2

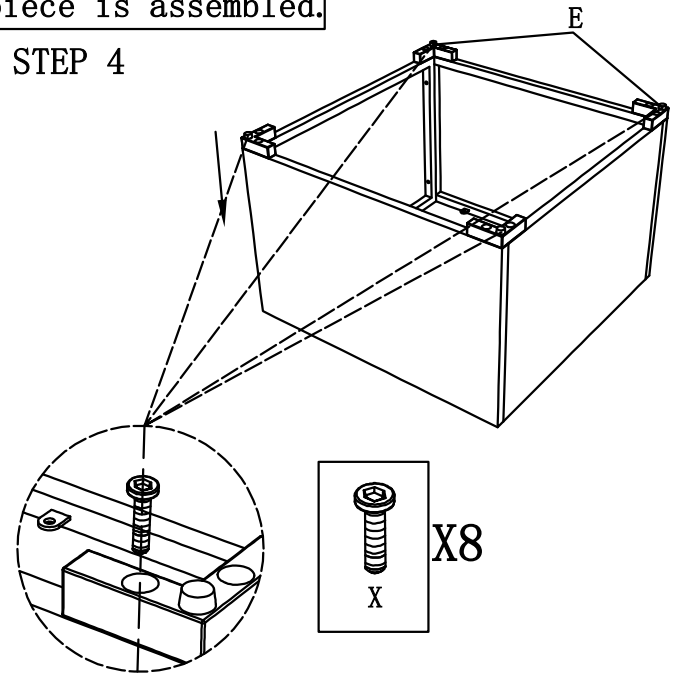


The best advice is not tightening up any screws until the whole piece is assembled.

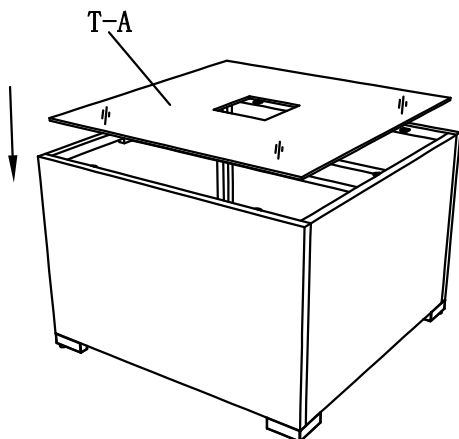
STEP 3



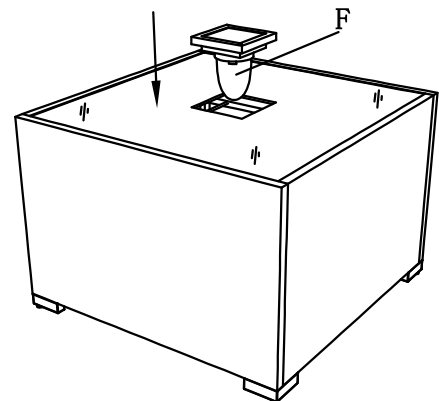
STEP 4



STEP 5



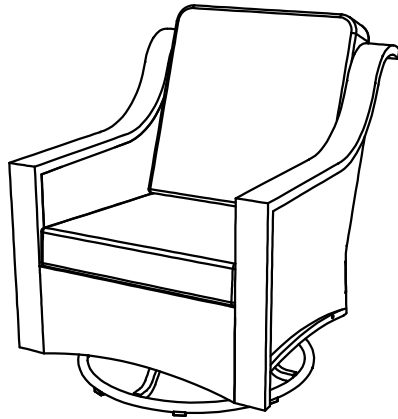
FINISH



Assembly Instruction

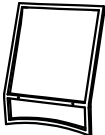







Advice:

1. Power tools are suggested to be used during installation.
2. More than one person may be required to assemble this product.
3. The best advice is not tightening up any screws until the whole piece is assembled. If having difficulty aligning holes, loosen the screws already installed and readjust the armrest.
4. To avoid mess-up or mismatch, please use the hardware of each box to install the furniture in the same box.

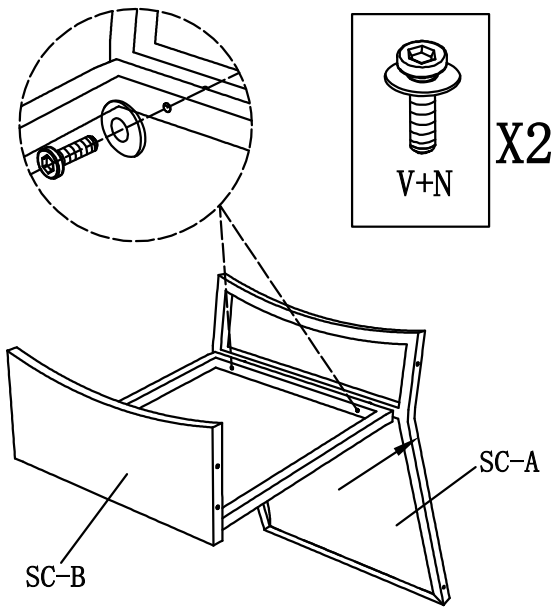


Single Swivel Chair

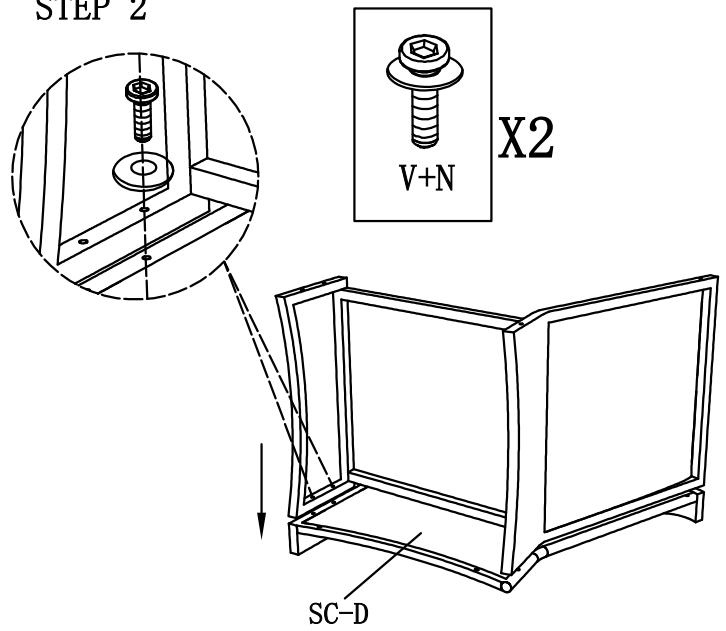
Parts List

NO.	Picture	Description	QTY	NO.	Picture	Description	QTY
SC-A		Chair Back	1	V		Screw (M6*35)	6
SC-B		Chair Seat	1	T		Screw (M6*45)	4
SC-D		Right Arm	1	N		Washer (M6)	10
SC-E		Left Arm	1	L		Allen Key	1

STEP 1

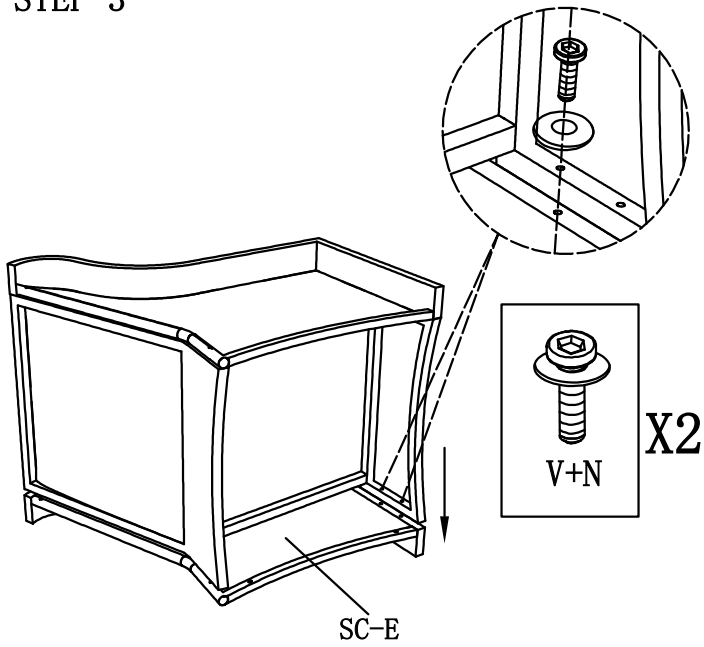


STEP 2

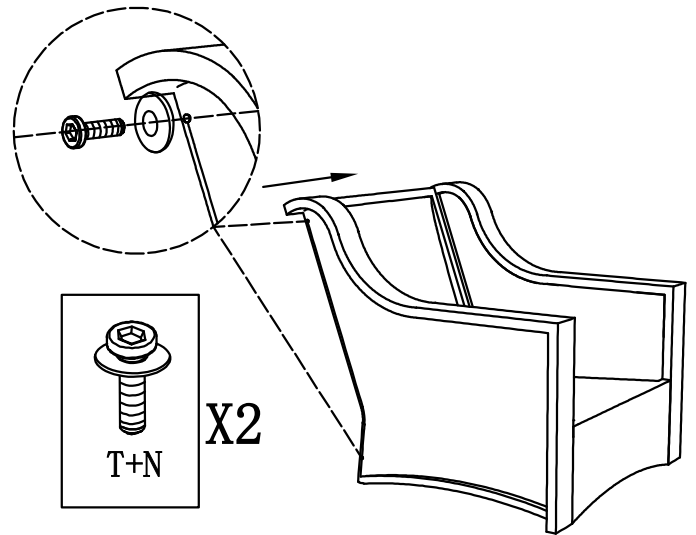


The best advice is not tightening up any screws until the whole piece is assembled.

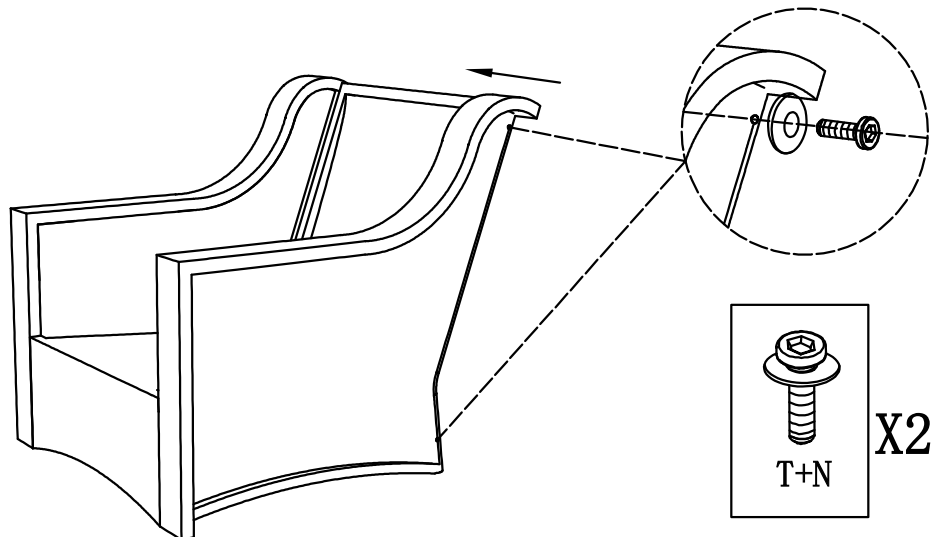
STEP 3



STEP 4



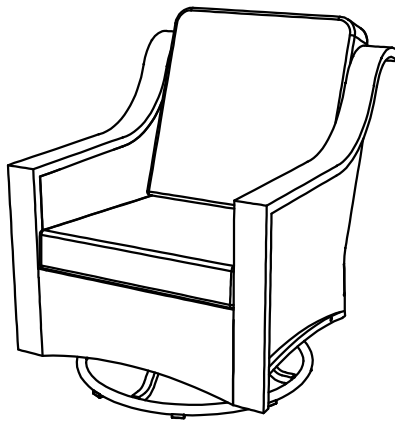
FINISH



Assembly Instruction

Advice:

1. Power tools are suggested to be used during installation.
2. More than one person may be required to assemble this product.
3. The best advice is not tightening up any screws until the whole piece is assembled. If having difficulty aligning holes, loosen the screws already installed and readjust the armrest.
4. To avoid mess-up or mismatch, please use the hardware of each box to install the furniture in the same box.



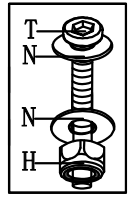
Single Swivel Chair

Parts List

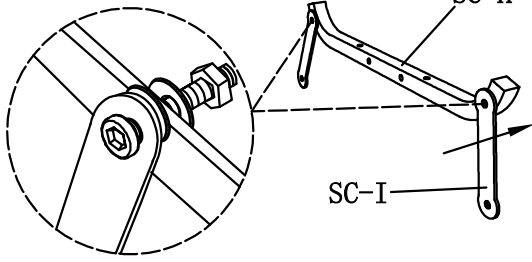
NO.	Picture	Description	QTY	SC-N			
				SC-N		Chair Base #7	1
SC-F		Back Cushion	1	A2		Screw (M6*20)	5
SC-G		Seat Cushion	1	V		Screw (M6*35)	8
SC-H		Chair Base #1	2	U		Screw (M6*40)	8
SC-I		Chair Base #2	4	T		Screw (M6*45)	8
SC-J		Chair Base #3	1	N		Washer (M6)	53
SC-K		Chair Base #4	1	H		Anti-slip Screw (M6)	24
SC-L		Chair Base #5	1	L		Allen Key	1
SC-M		Chair Base #6	1	J		Wrench (M6)	1

STEP 1

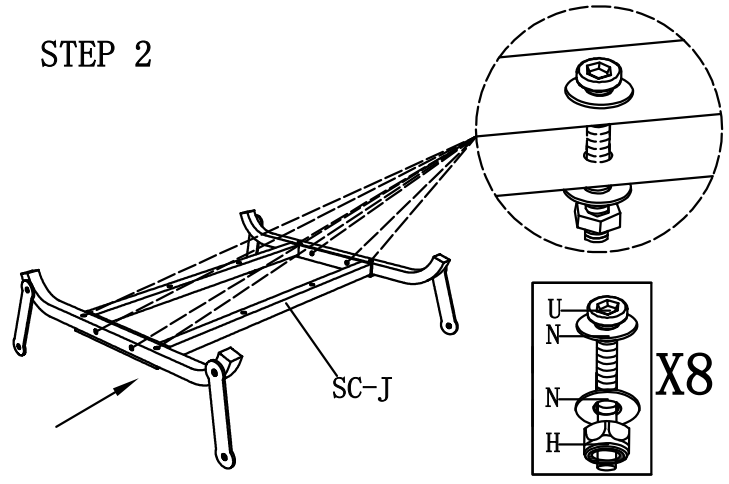
Ensure the protruding side faces outward when assembling (SC-I)



X4



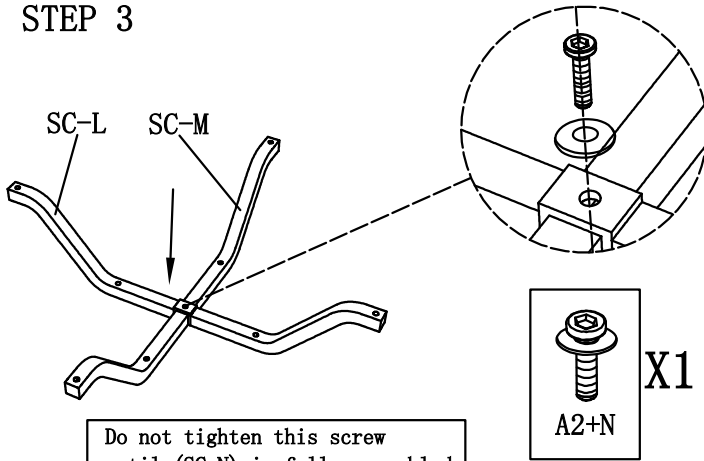
STEP 2



X8

The best advice is not tightening up any screws until the whole piece is assembled.

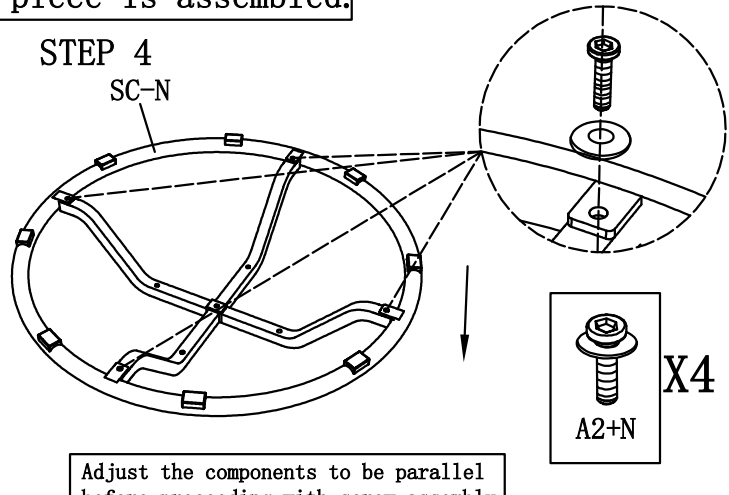
STEP 3



X1

Do not tighten this screw until (SC-N) is fully assembled

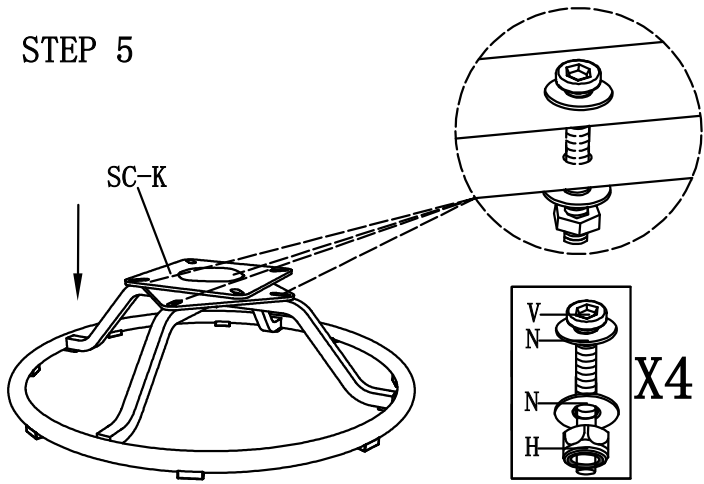
STEP 4



X4

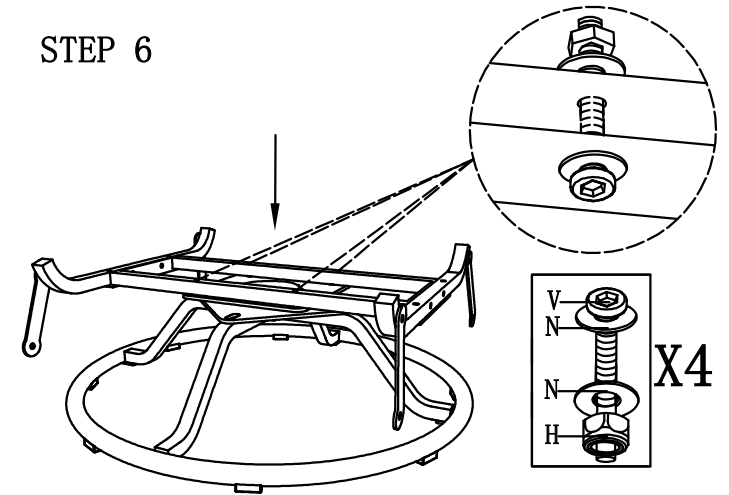
Adjust the components to be parallel before proceeding with screw assembly

STEP 5



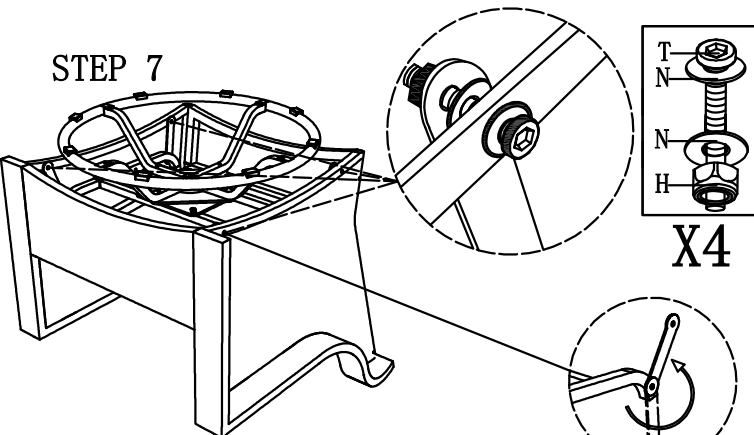
X4

STEP 6



X4

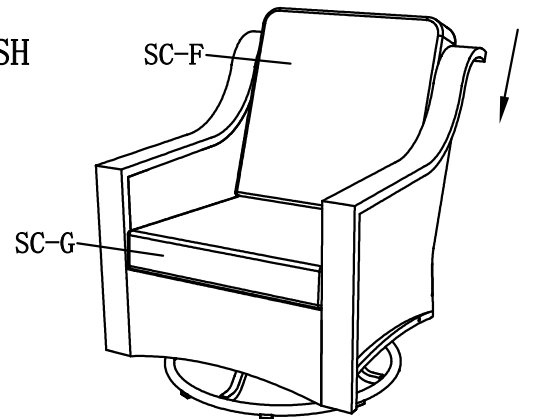
STEP 7



X4

After placing the base, rotate the pivot arm upwards to the appropriate position before proceeding with screw assembly

FINISH



Please tap the cushions and wait 48 to 72 hours to fully rebound

Assembly Instruction


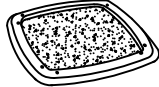




Advice:

1. Power tools are suggested to be used during installation.
2. More than one person may be required to assemble this product.
3. The best advice is not tightening up any screws until the whole piece is assembled. If having difficulty aligning holes, loosen the screws already installed and readjust the armrest.
4. To avoid mess-up or mismatch, please use the hardware of each box to install the furniture in the same box.

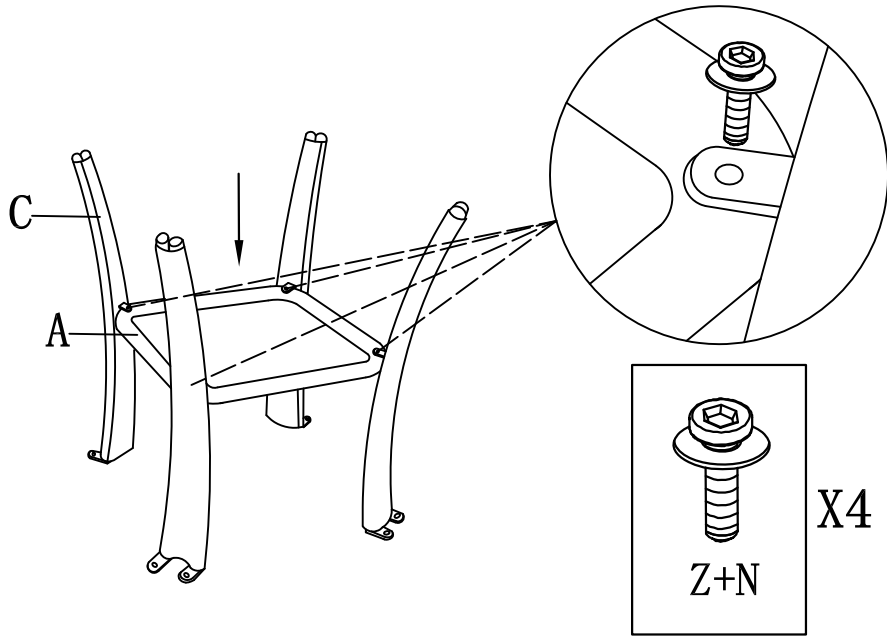


Side Table

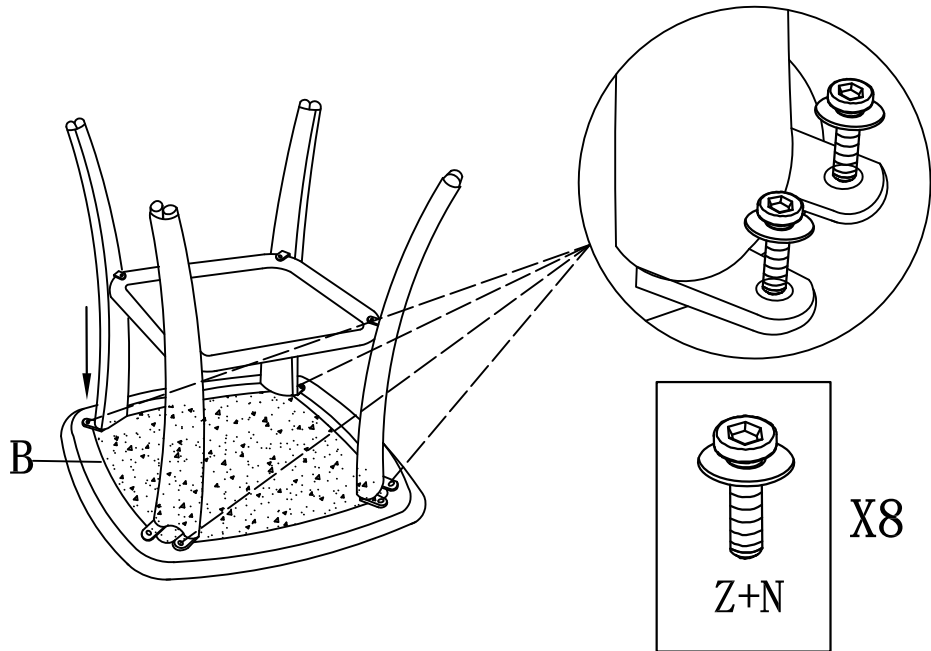
Parts List

Part Number	Picture	Description	QTY
A		Wicker Layer	1
B		Desktop	1
C		Table Leg	4
N		Washer (M6)	12
L		Allen Key	1
Z		Screw (M6*16)	12

STEP 1



STEP 2



FINISH

