





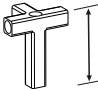
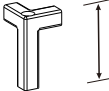
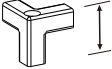
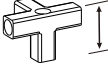

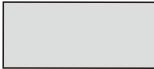
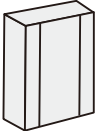


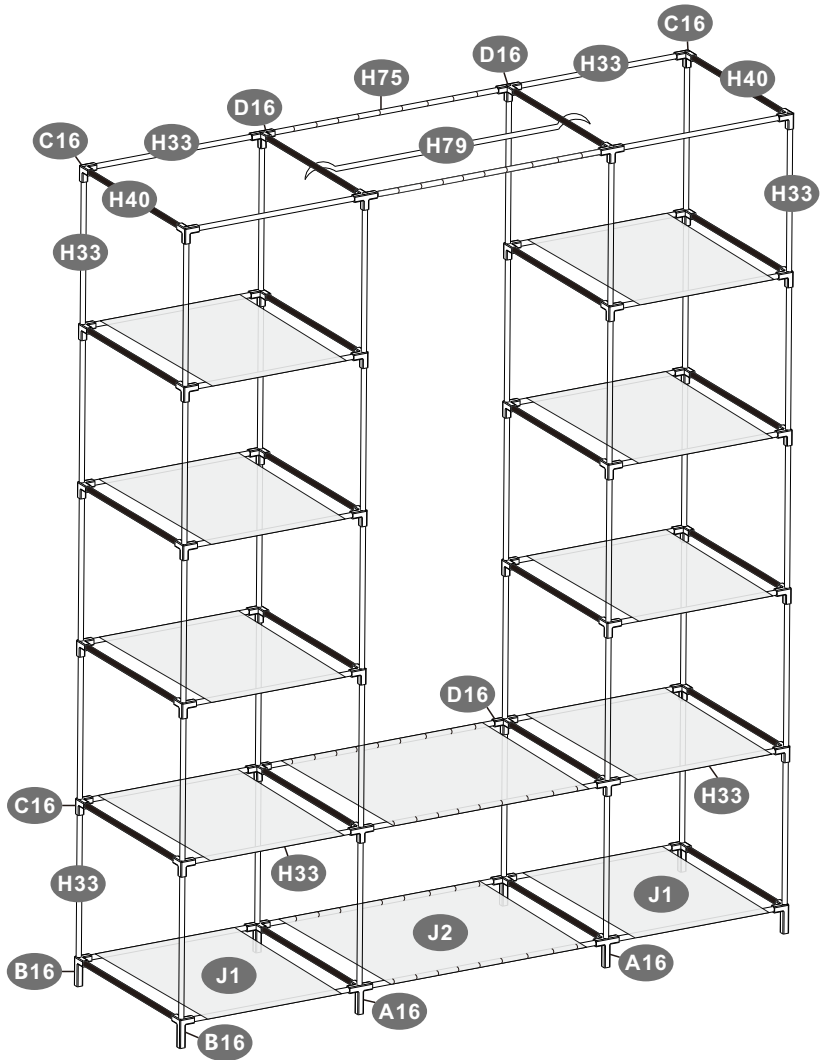
## **General Guidelines**

- Please read the following instruction carefully and use the product accordingly.
- Please keep this manual and hand it over when you transfer the product.
- This summary may not include every detail of all variations and considered steps. Please contact us when further information and help are needed.

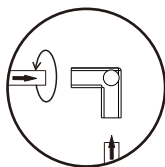
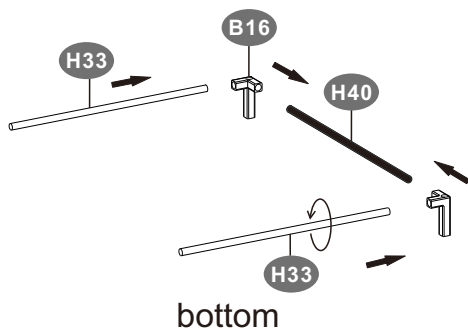
## **Notes**

- Please follow the procedures on the instructions carefully when assembling.
- Please use caution when handling pipe edges;
- Please make sure to insert the pipes into the bottom holes of the plastic parts, avoiding the cover and fabric shelves from being torn due to the incorrect size of the rack;
- Please ensure the stability of the wardrobe before use by leaving it on a flat surface, such as a floor;
- Please keep away from heat and chemical sources;
- Please place the wardrobe away from direct sunlight and in a dry place.

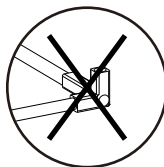
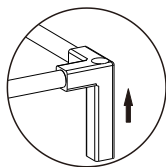
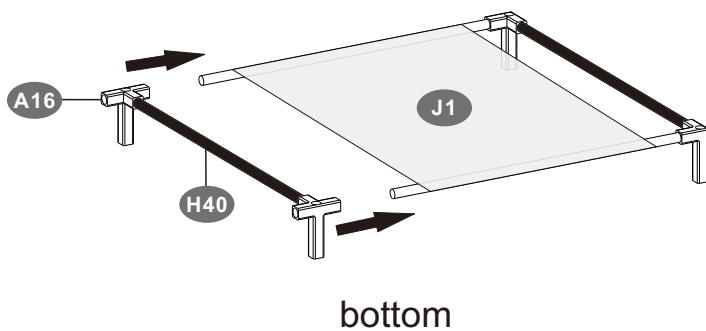
<p><b>H75</b> × 6</p>  <p>29.53 inches (750 mm)</p>	<p><b>H40</b> × 24</p>  <p>15.75 inches (400 mm)</p>	
<p><b>H33</b> × 64</p>  <p>13.19 inches (335 mm)</p>	<p><b>H79</b> × 1</p>  <p>31.10 inches (790 mm)</p>	
<p><b>A16</b> × 4</p>  <p>2.76 inches (70mm)</p>	<p><b>B16</b> × 4</p>  <p>2.76 inches (70mm)</p>	
<p><b>C16</b> × 32</p>  <p>1.61 inches (41mm)</p>	<p><b>D16</b> × 8</p>  <p>1.61 inches (41mm)</p>	
<p><b>J1</b> × 10</p>  <p>Short Shelf</p>	<p><b>J2</b> × 2</p>  <p>Long Shelf</p>	<p><b>M</b> × 1</p>  <p>Cover</p>



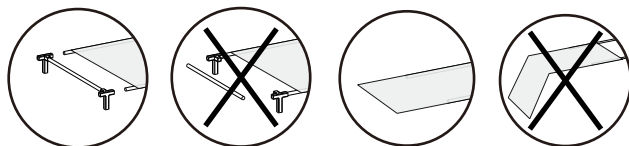
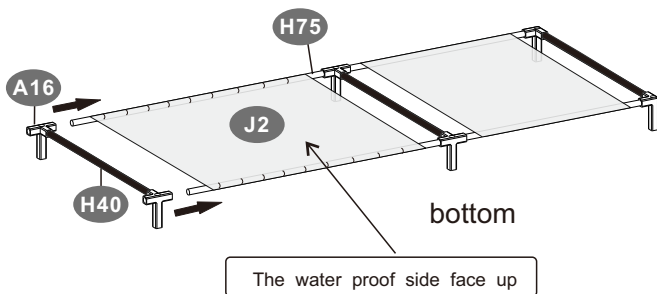
1



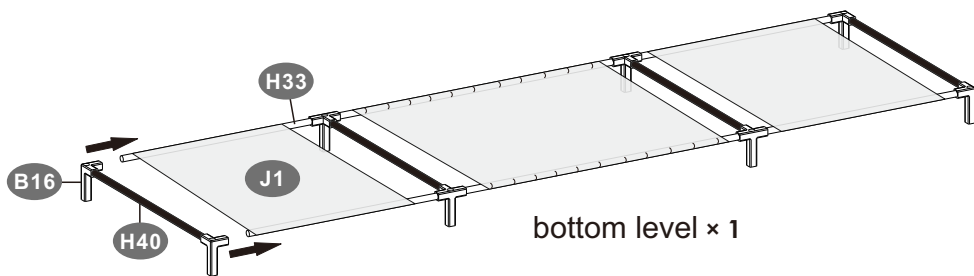
2



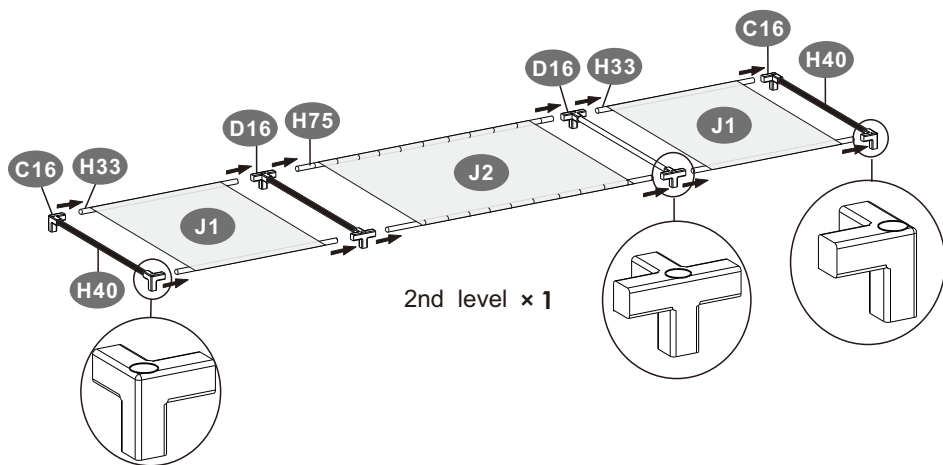
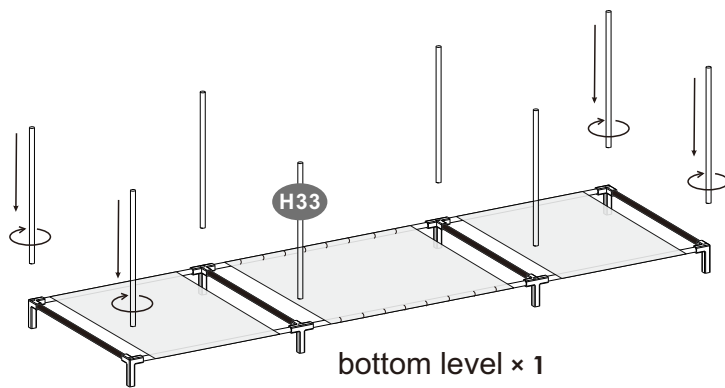
3



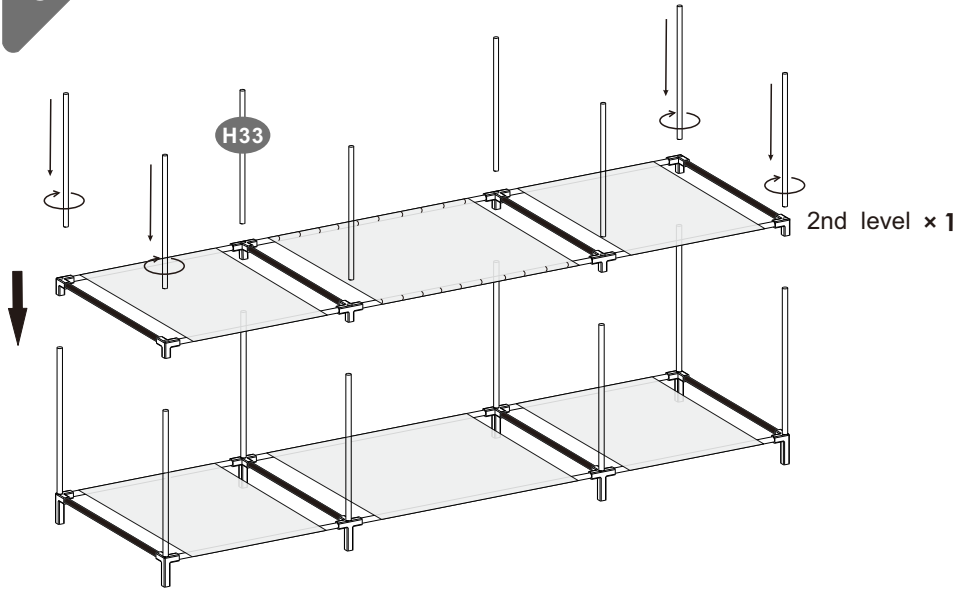
4



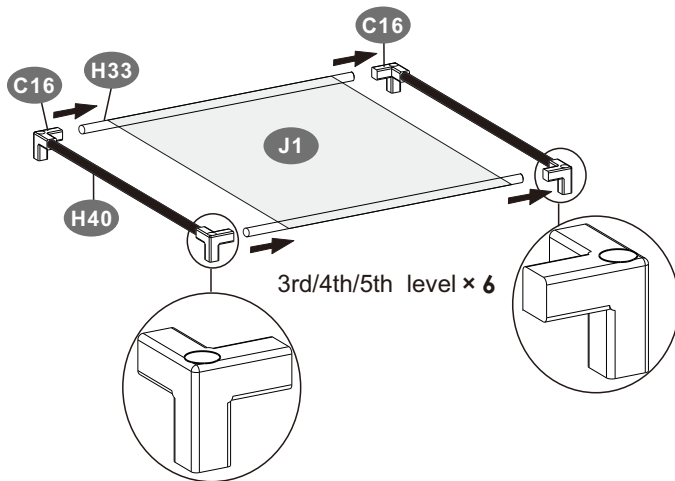
5



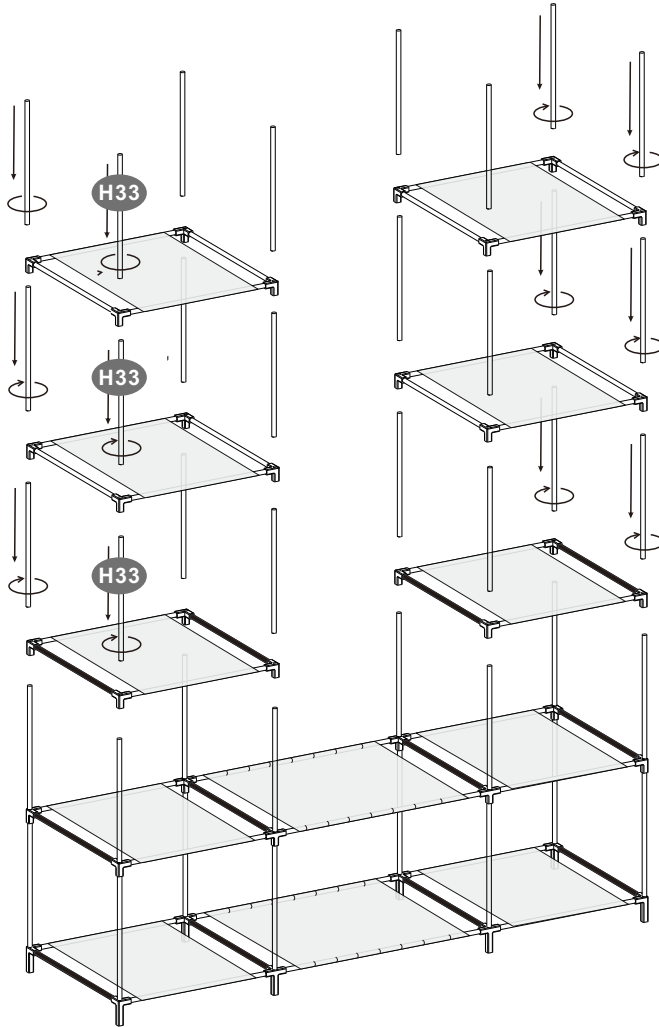
6



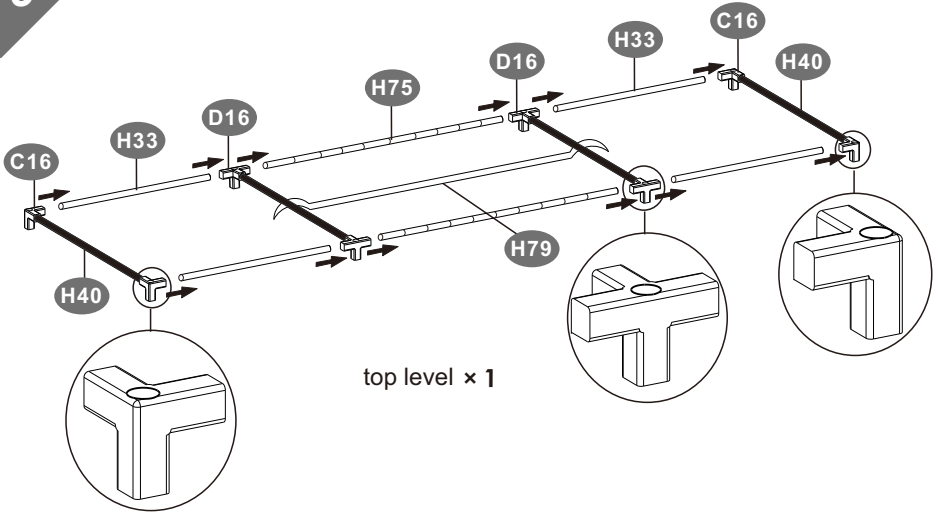
7



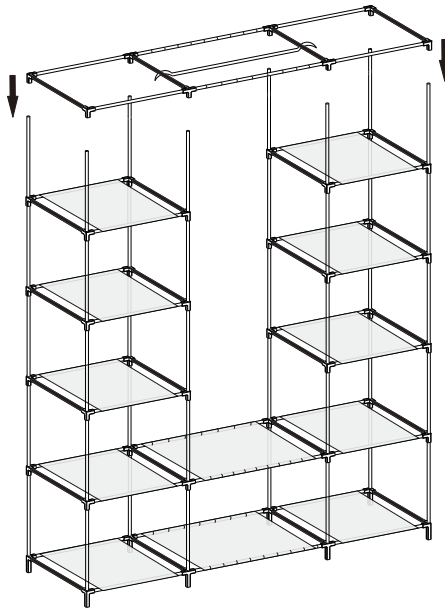
8



9



10



11

