

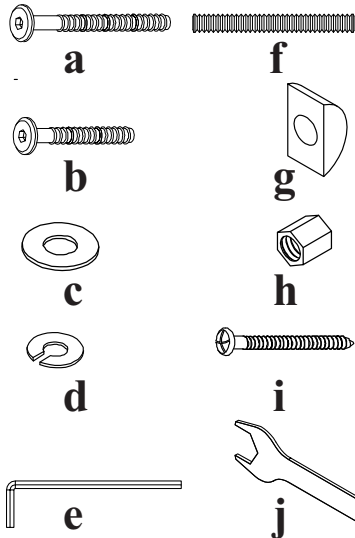
**PANEL HEADBOARD (HB ONLY)  
PANEL FOOTBOARD  
RAILS**

**Assembly Instruction**

**A. Components :**

- |                              |         |
|------------------------------|---------|
| 1. Panel Headboard (HB Only) | : 1 Pc  |
| 2. Panel Footboard           | : 1 Pc  |
| 3. HB Legs                   | : 2 Pcs |
| 4. Stretcher                 | : 1 Pc  |
| 5. Bed Rails                 | : 2 Pcs |
| 6. Slat                      | : 3 Pcs |
| 7. Slat Support              | : 3 Pcs |

Qty



**B. Hardware :**

- |                    |          |
|--------------------|----------|
| a. Bolt M6 x 50mm  | : 8 Pcs  |
| b. Bolt M6 x 40mm  | : 2 Pcs  |
| c. Flat Washer     | : 10 Pcs |
| d. Lock Washer     | : 10 Pcs |
| e. Allen Key       | : 1 Pc   |
| f. Bolt M8 x 100   | : 8 Pcs  |
| g. Halfmoon Washer | : 8 Pcs  |
| h. Hexa Nut        | : 8 Pcs  |
| i. Screw           | : 6 Pcs  |
| j. Hexa Wrench     | : 1 Pc   |

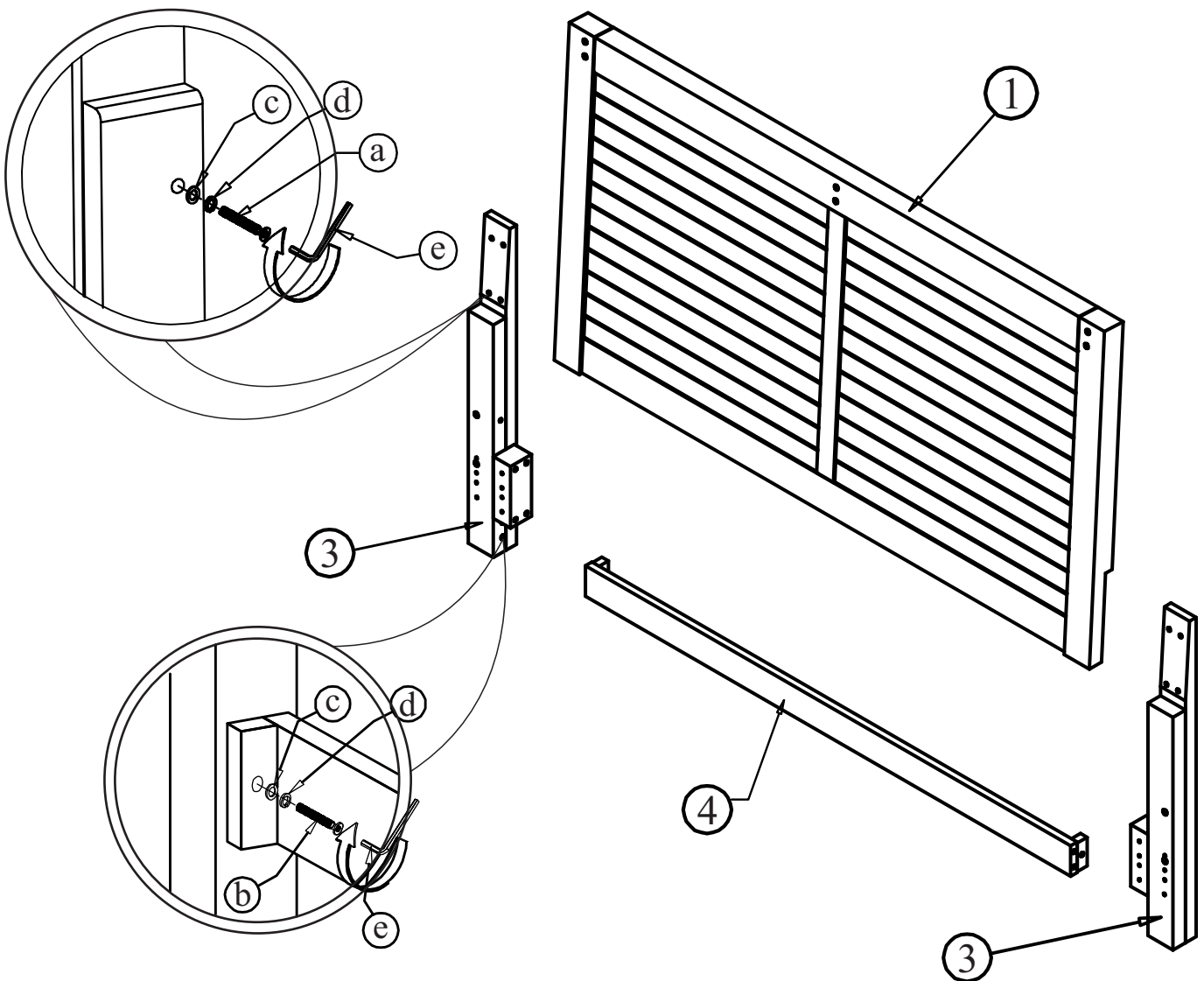
Qty

**C. Tool Required**

1. Screw Driver = ( not included )



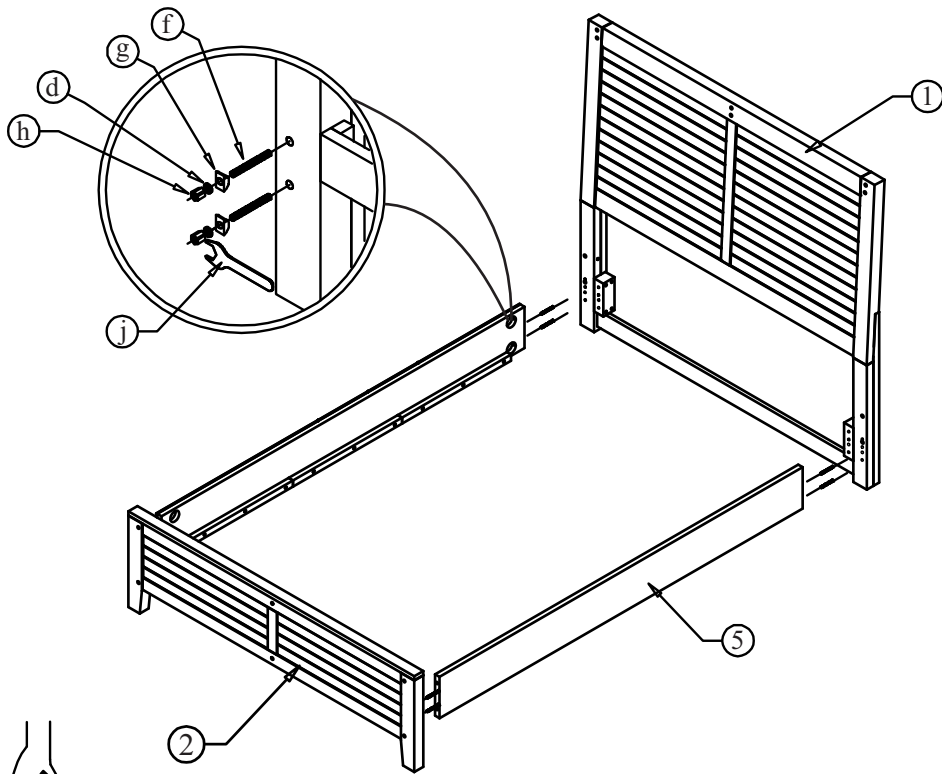
**STEP - 1**



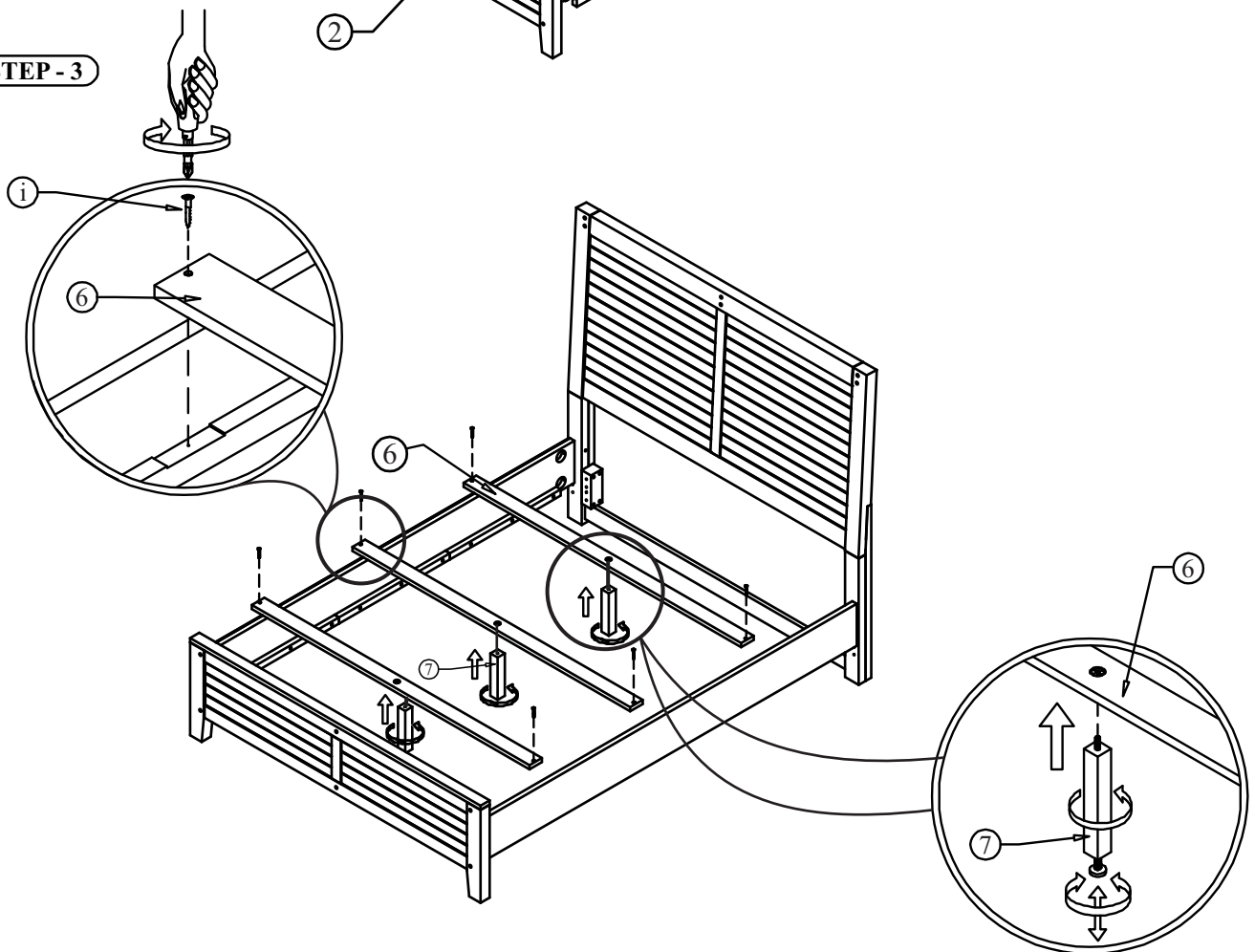
**PANEL HEADBOARD (HB ONLY)  
PANEL FOOTBOARD  
RAILS**

**Assembly Instruction**

**STEP - 2**



**STEP - 3**

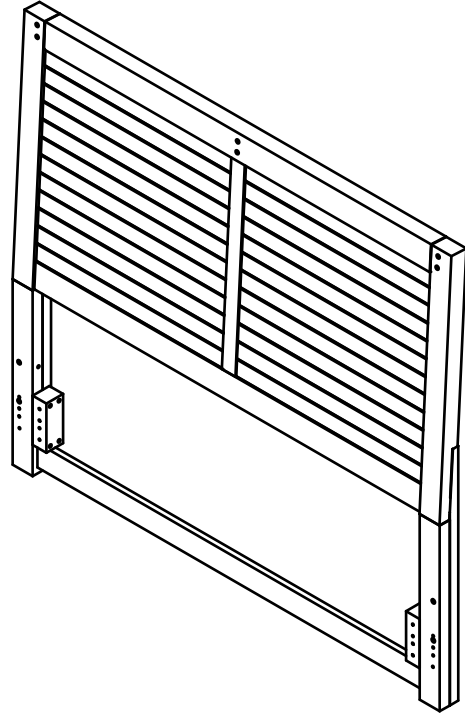


**PANEL HEADBOARD (HB ONLY)  
PANEL FOOTBOARD  
RAILS**

---

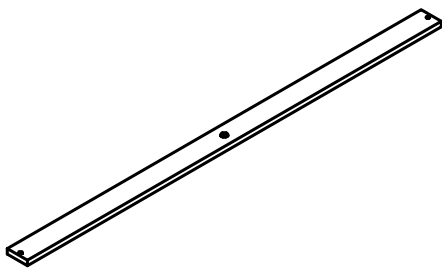
---

CARTON 1



5/0 Panel Headboard (HB Only).....1 Pc

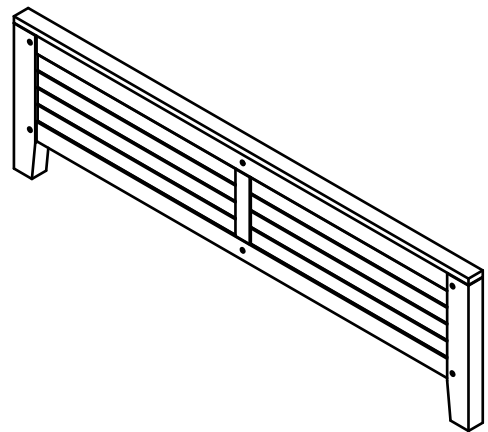
CARTON 2



Slat.....3 Pcs

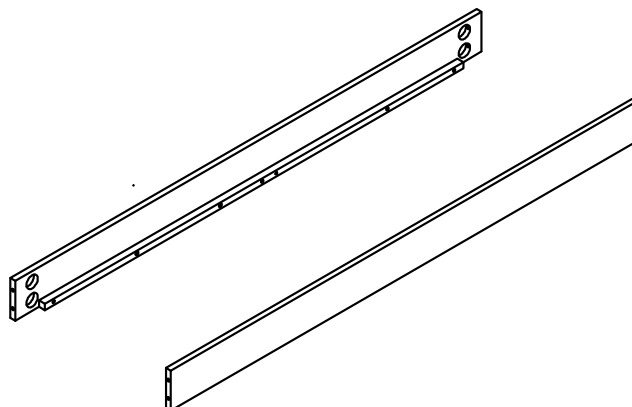


Slat Support.....3 Pcs



5/0 Panel Footboard.....1 Pc

CARTON 3



5/0 6/6 Rails.....2 Pcs