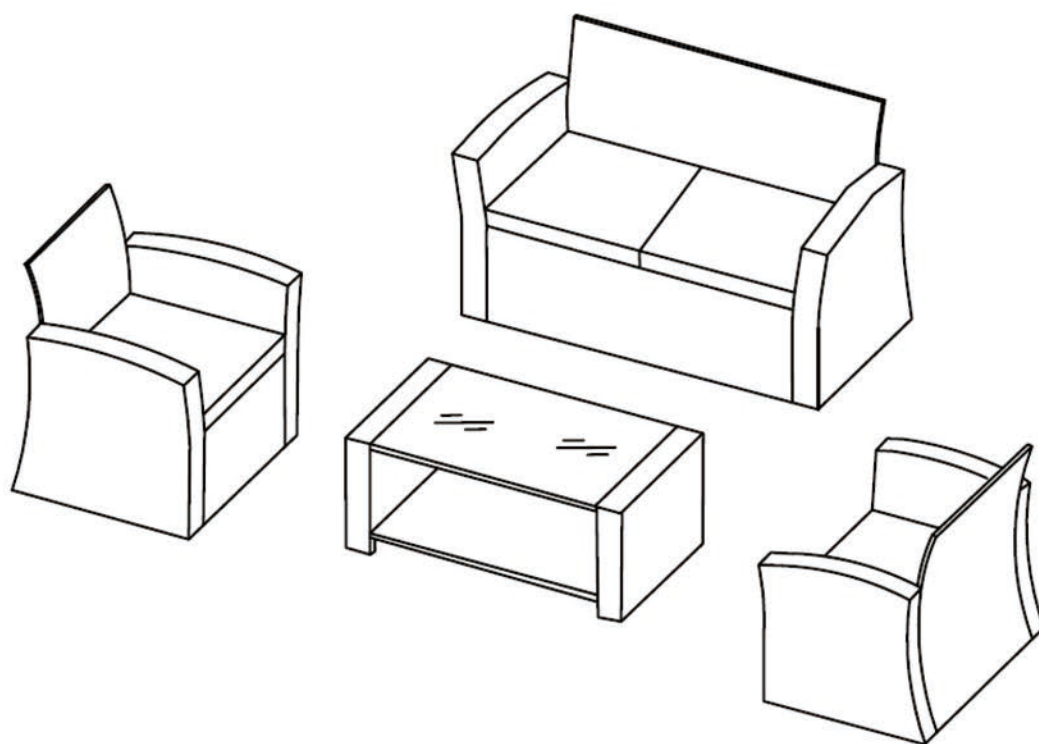


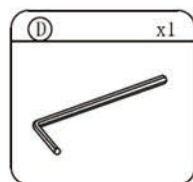
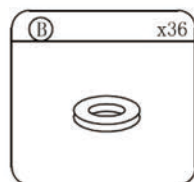
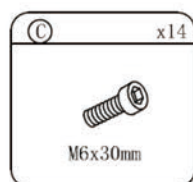
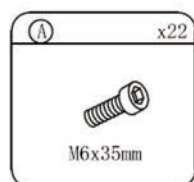
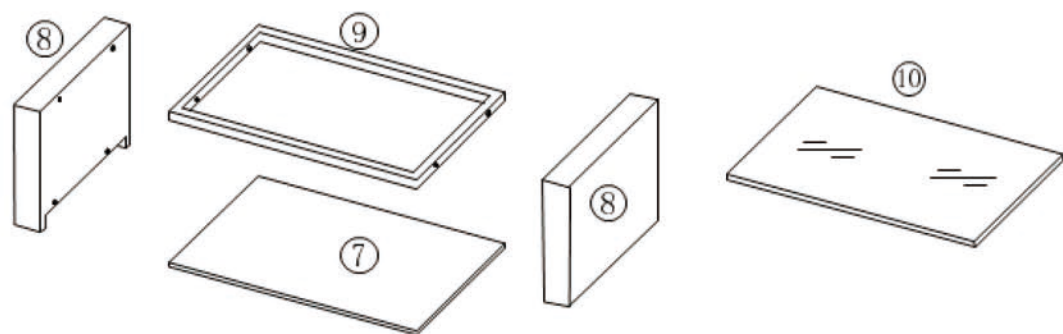
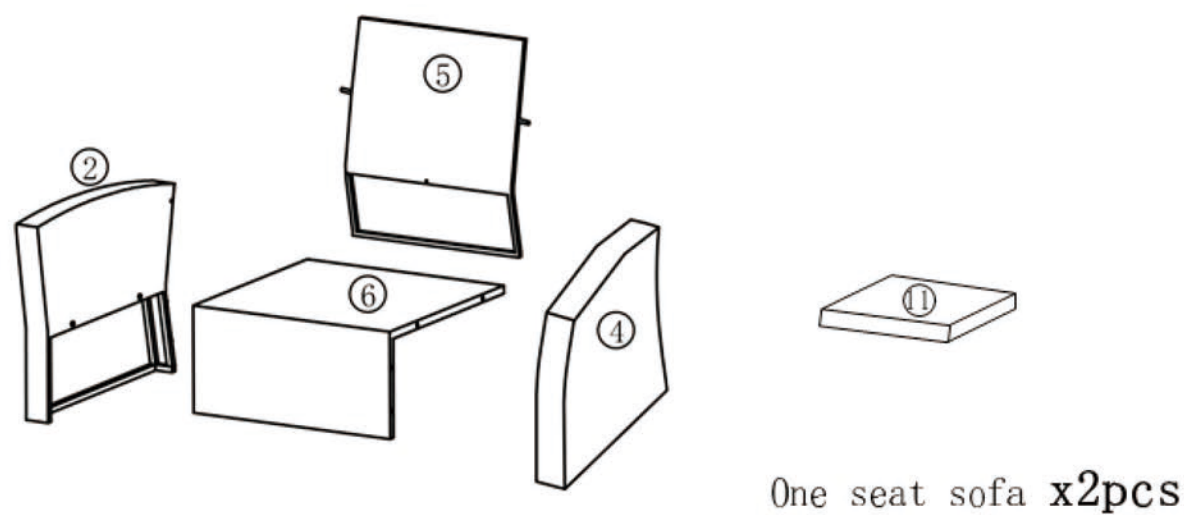
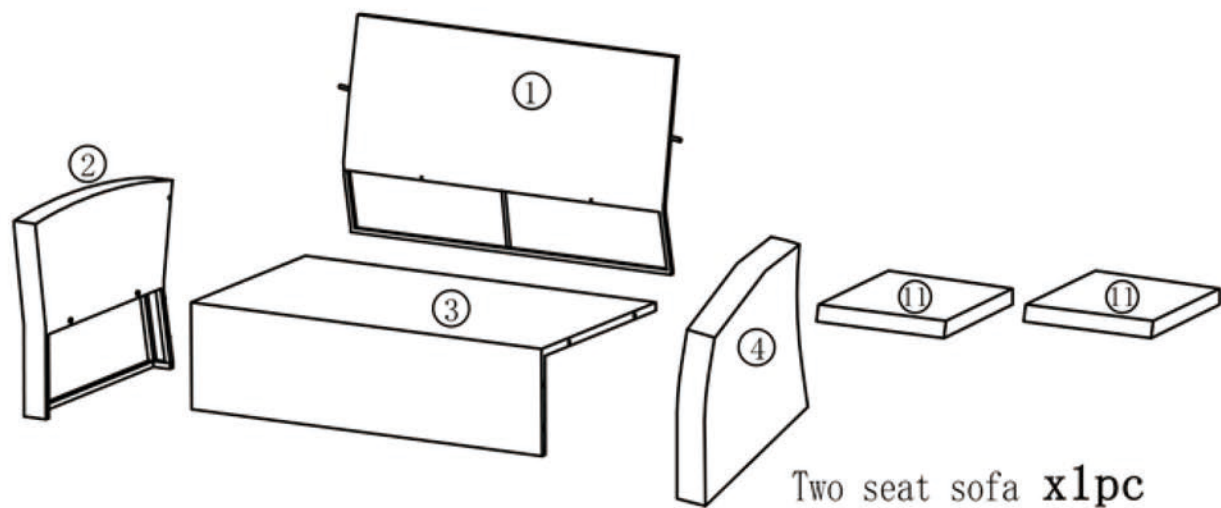
NOTICE !

When you assemble chairs and table,

Step 1:Please install each screw in its hole in a loose position first ;

Step 2:Then tighten all the screws to finally finish the installation.



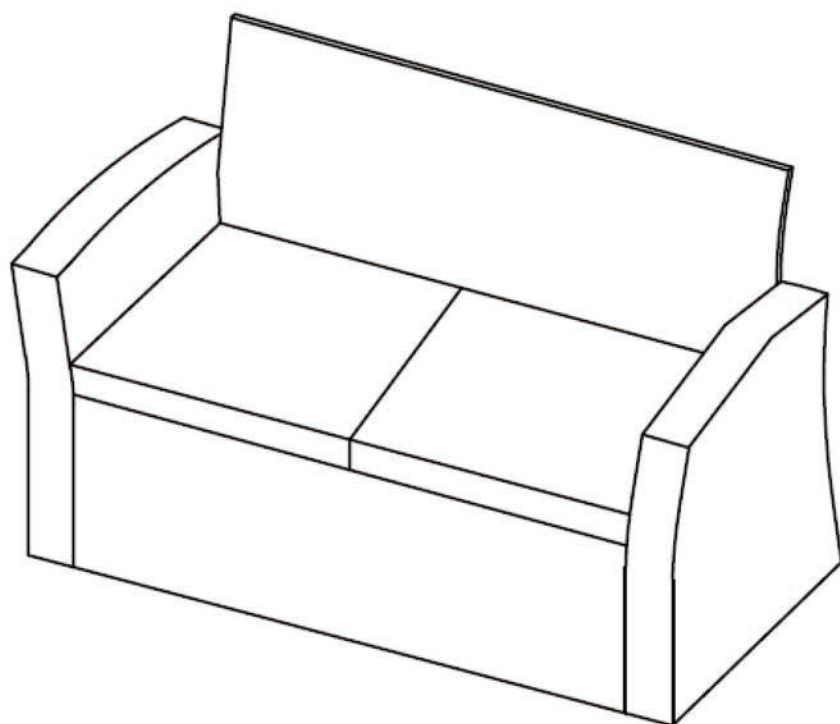


(1)	1pc
(2)	3pcs
(3)	1pc
(4)	3pcs

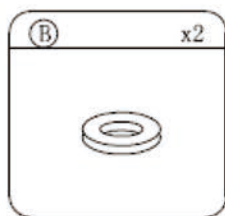
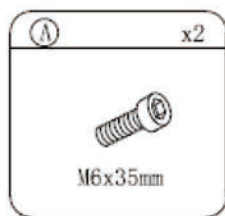
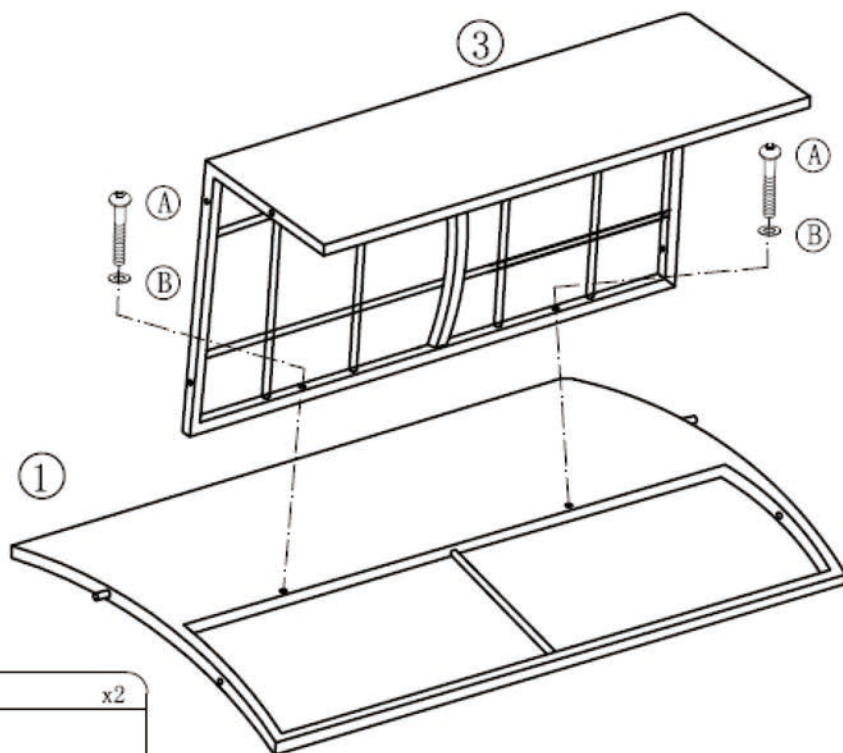
(5)	2pcs
(6)	2pcs
(7)	1pc
(8)	2pcs

(9)	1pc
(10)	1pc
(11)	4pcs

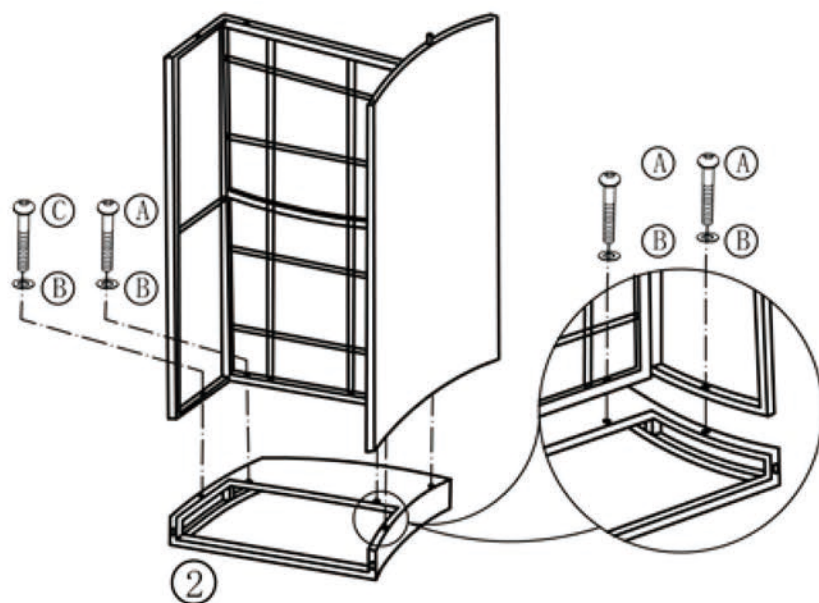
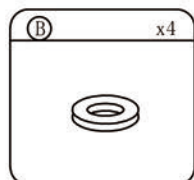
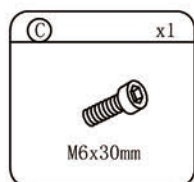
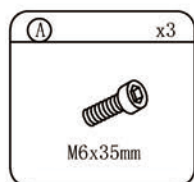
Two seat sofa x1pc



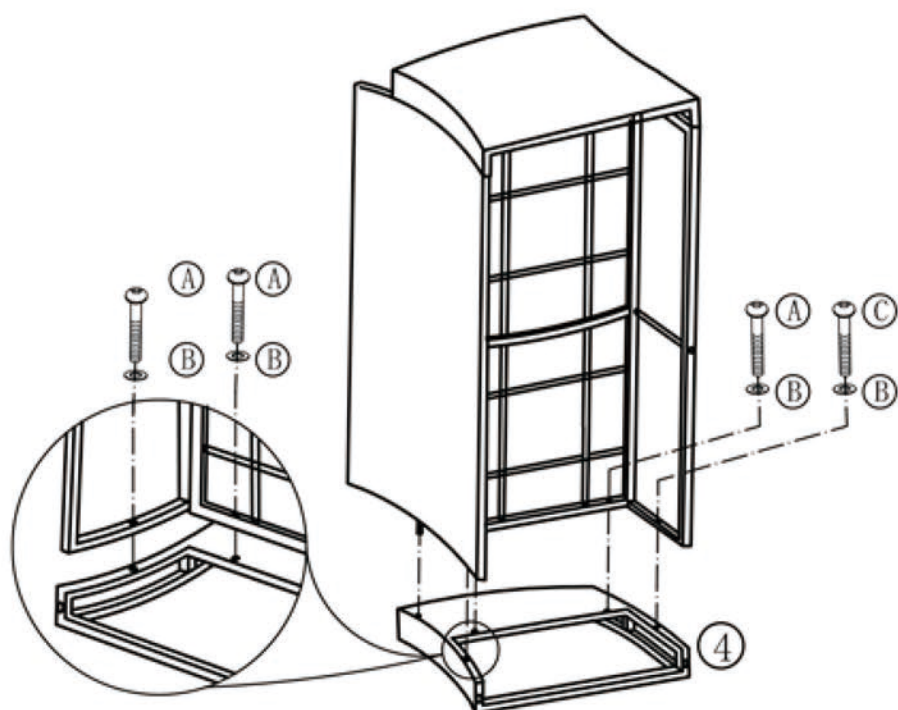
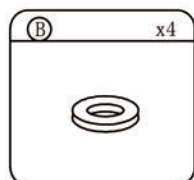
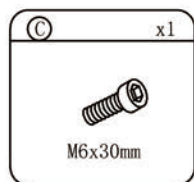
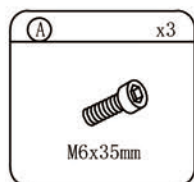
Step 1 Two seat sofa x1pc



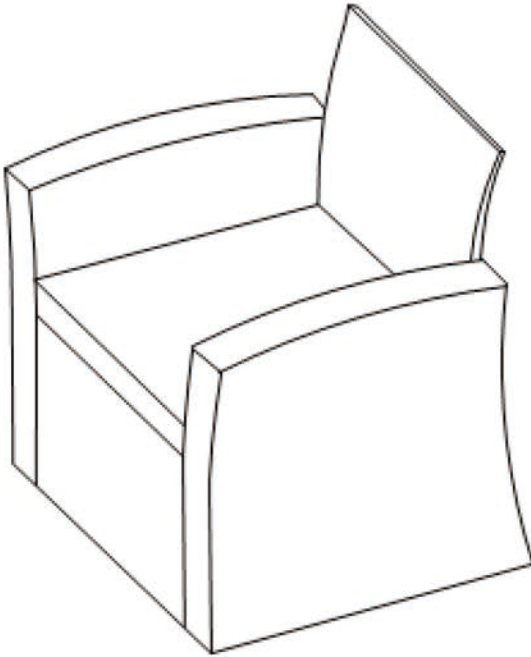
Step 2 Two seat sofa x1pc



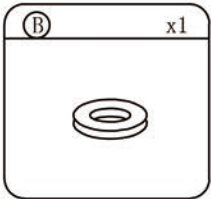
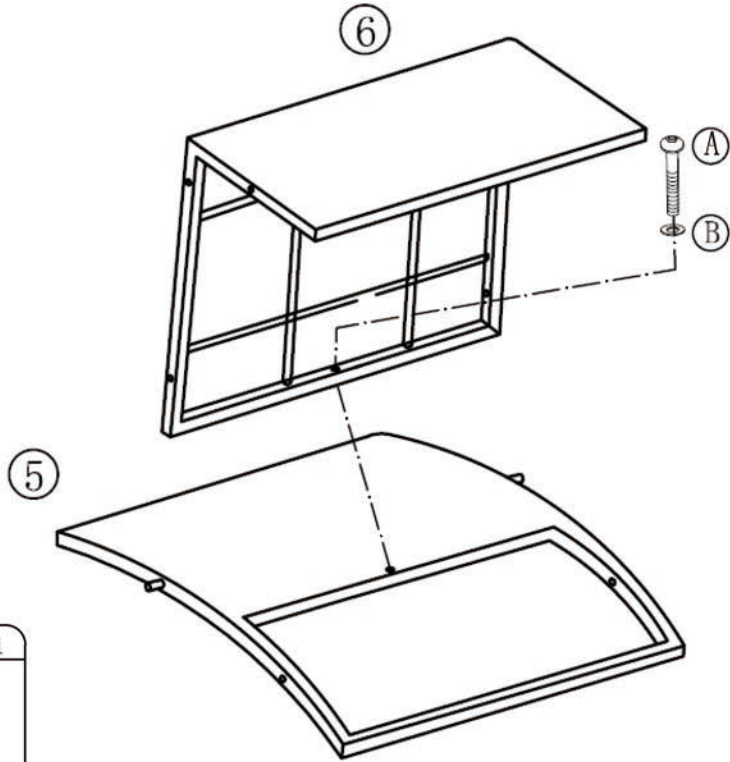
Step 3 Two seat sofa x1pc



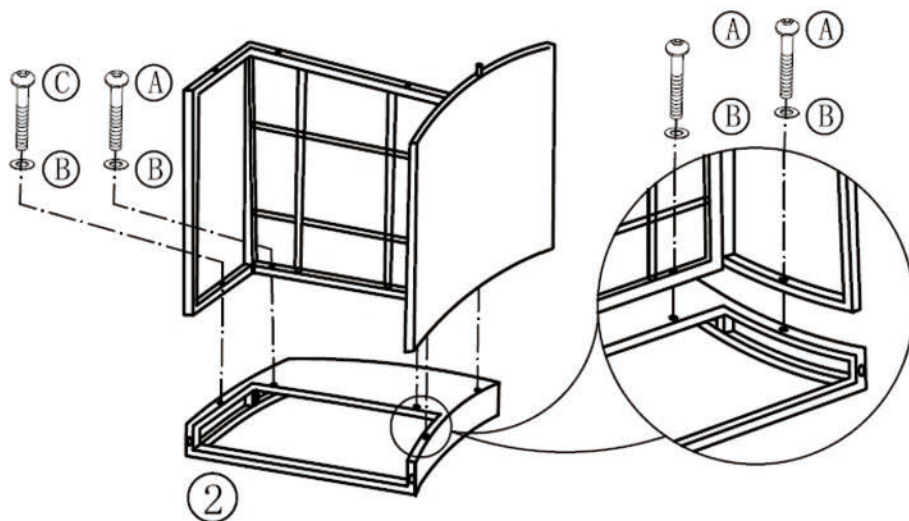
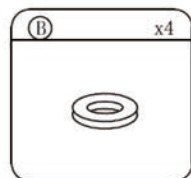
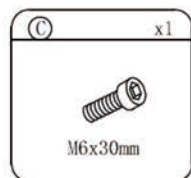
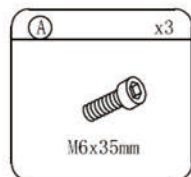
One seat sofa x2pcs



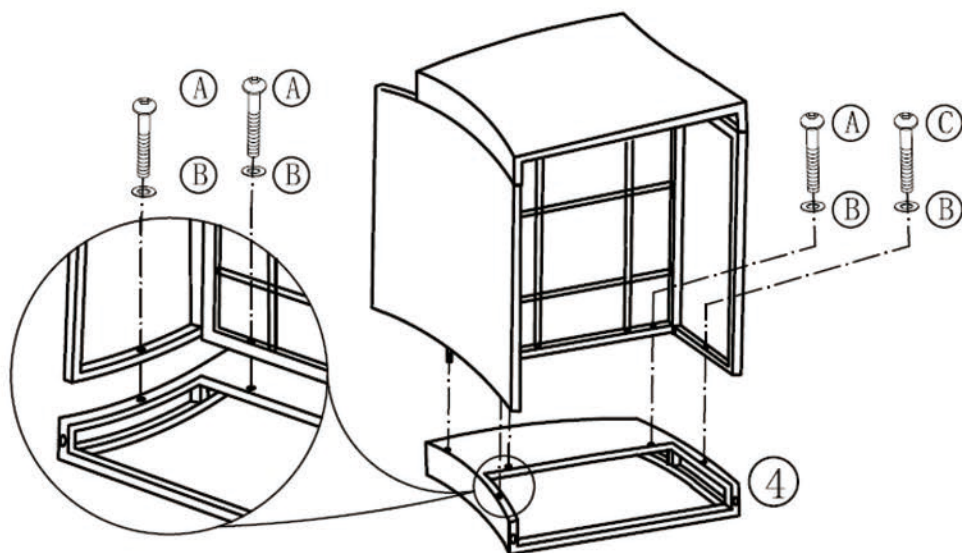
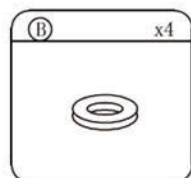
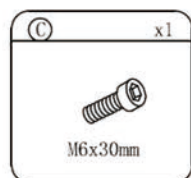
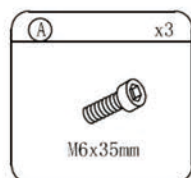
Step 1 One seat sofa x2pcs



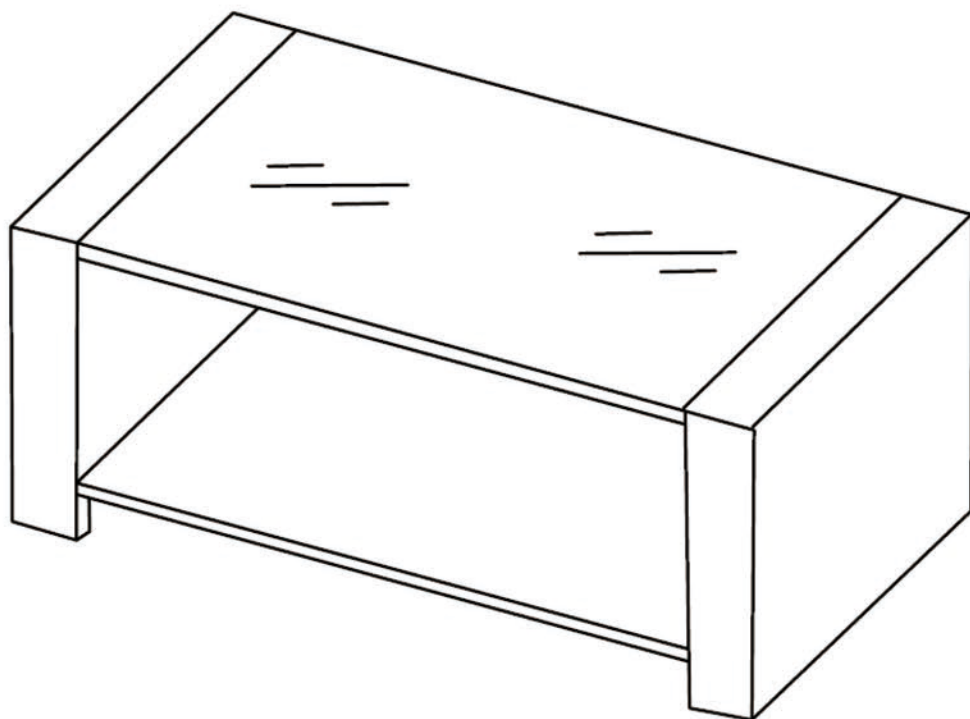
Step 2 One seat sofa x2pcs



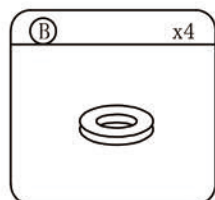
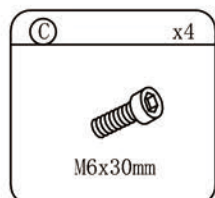
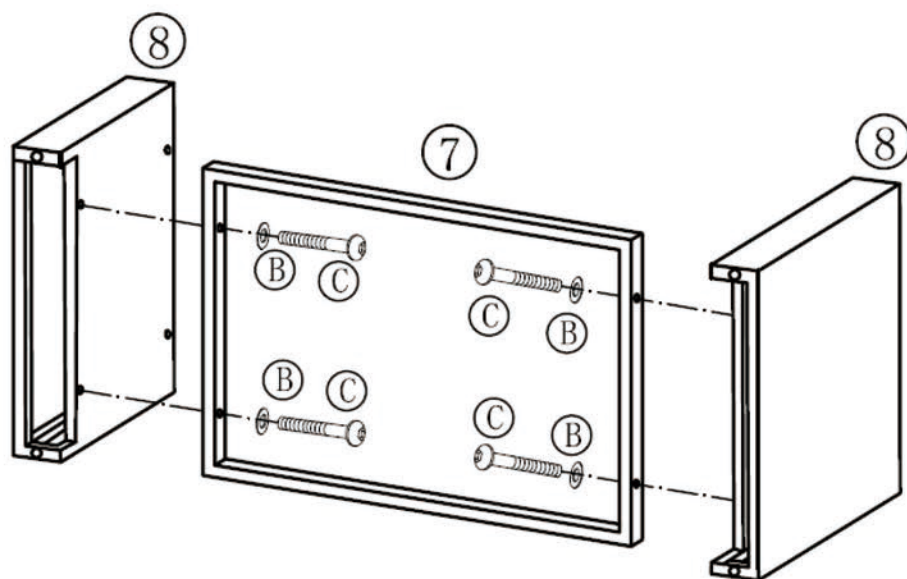
Step 3 One seat sofa x2pcs



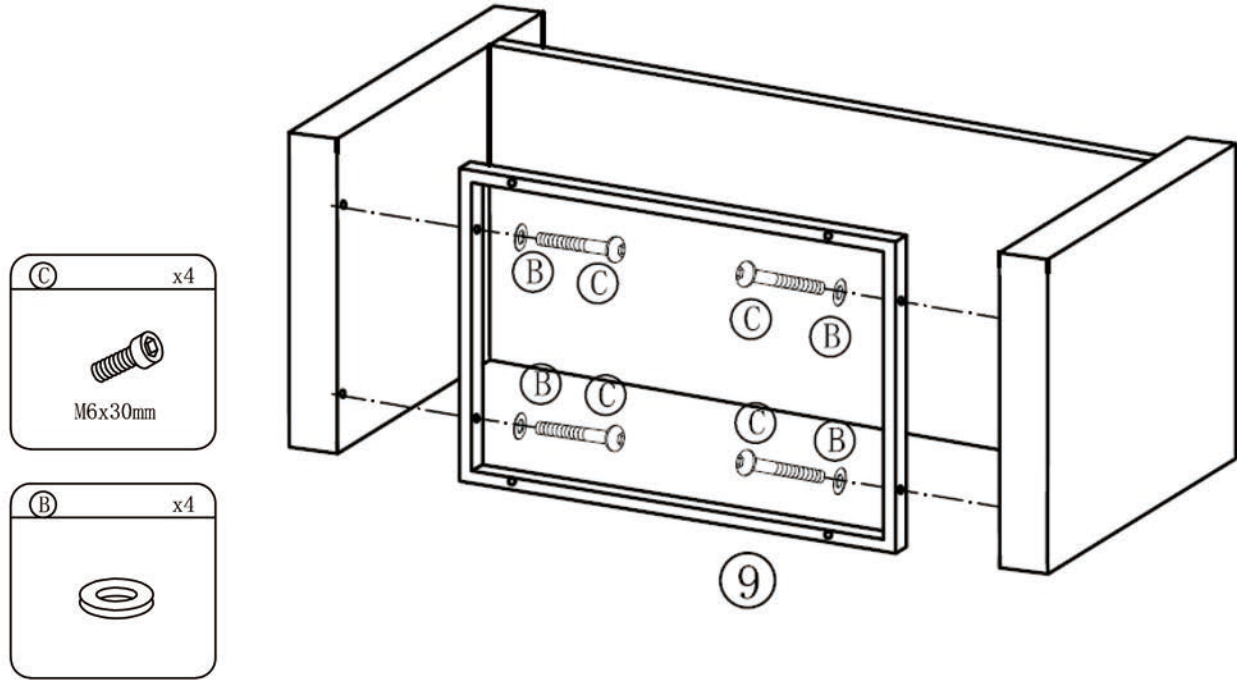
Coffee table x1pc



Step 1 Coffee table x1pc



Step 2 Coffee table x1pc



Step 3 Coffee table x1pc

