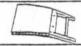

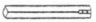







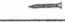


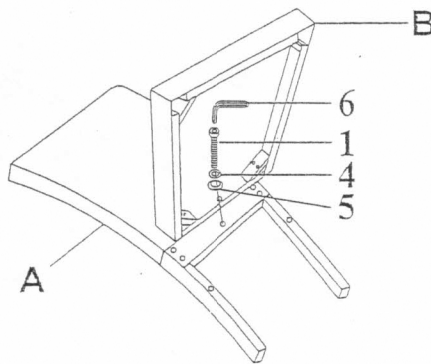
# ASSEMBLY INSTRUCTIONS

ITEM NO.: CD038-SC

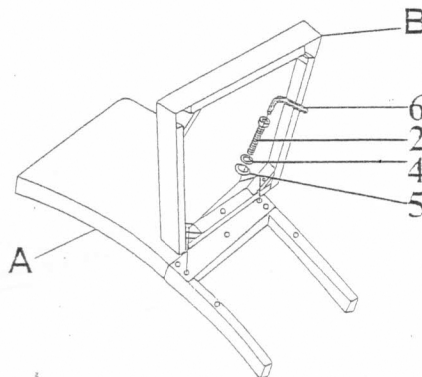
PARTS LIST			
Item	Description	Drawing	Pcs
A	CHAIR BACK		1
B	SEAT FRAME		1
C	FRONT LEG(R&L)		2
D	SIDE RAIL(R&L)		2

HARDWARE LIST			
Item	Description	Drawing	Pcs
1	ALLEN BOLT (5/16" x 1 3/4")		1
2	ALLEN BOLT (5/16" x 3 1/2")		4
3	ALLEN BOLT (5/16" x 2")		4
4	SPRING WASHER		9
5	FLAT WASHER (5/16")		9
6	ALLEN WRENCH 5M		1
7	WOOD SCREW(50MM)		4

STEP:1



STEP:2



Do not tighten screws until completely assembled

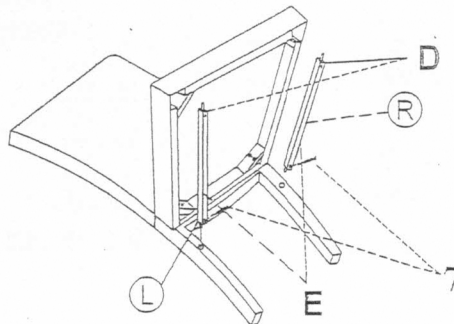


**Best Master Furniture™**  
The Imported Furniture Specialist

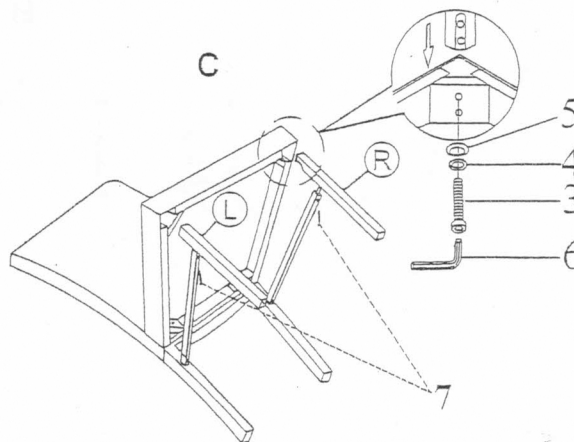
# ASSEMBLY INSTRUCTIONS

ITEM NO.: CD038-SC

STEP:3



STEP:4



STEP:5



Do not tighten screws until completely assembled