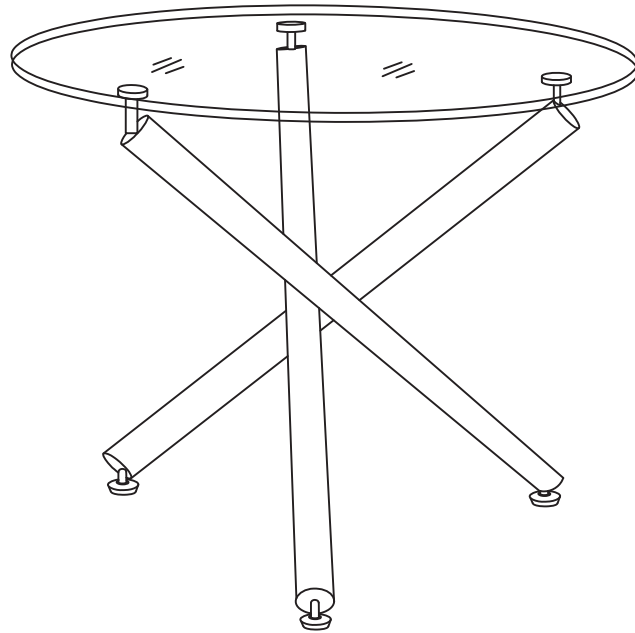
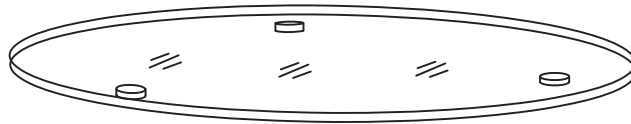


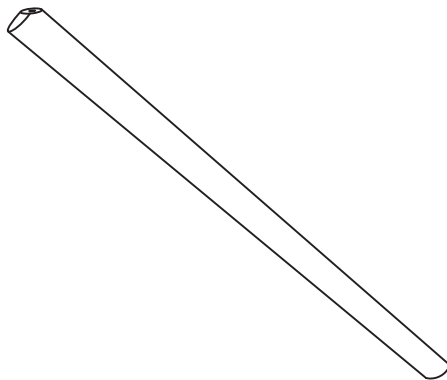
# Assembly Instructions



Please check you have all the panels listed below



1 Table top x 1



2 Leg x 3



## Safety and Care Advice

### Important – Please read these instructions fully before starting assembly

Check you have all the components and tools listed

Remove all fittings from the plastic bags and separate them into their groups.

Keep children and animals away from the work area, small parts could choke if swallowed.

Make sure you have enough space to layout the parts before starting.

Assemble the item as close to its final position (in the same room) as possible.

Assemble on a soft level surface to avoid damaging the unit or your floor.

Do not fully tighten bolts until the chair is assembled.

Do not overtighten the nuts to avoid causing damage to the threads.



We do not recommend the use of power drill/drivers **for inserting screws,**

as this could damage the unit. Only use hand screwdrivers and Allen keys.

Dispose of all packaging carefully and responsibly.

### Care and maintenance

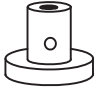

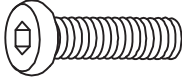





Only clean using a damp cloth and mild detergent, do not use bleach or abrasive cleaners.

From time to time check that there are no loose screws on this unit.

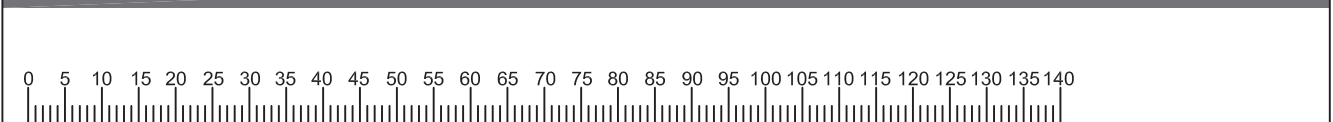
This product should not be discarded with household waste. Take to your local authority waste disposal centre.

Please check you have all the fittings listed below

**Note:** The quantities below are the correct amount to complete the assembly. In some cases more fittings may be supplied than are required.

<p><b>A</b></p>  <p>Table top attachment X3</p>	<p><b>B</b></p>  <p>Grub Screw X3</p>	<p><b>C</b></p>  <p>M8x60mm Allen Screw X3</p>
<p><b>D</b></p>  <p>M8x15mm Threaded Rod X3</p>	<p><b>E</b></p>  <p>Connector X1</p>	<p><b>F</b></p>  <p>Feet X3</p>
<p><b>G</b></p>  <p>M6 mm Allen Key X1</p>	<p><b>H</b></p>  <p>M3 mm Allen Key X1</p>	

Ruler - Use this ruler to help correctly identify the screws



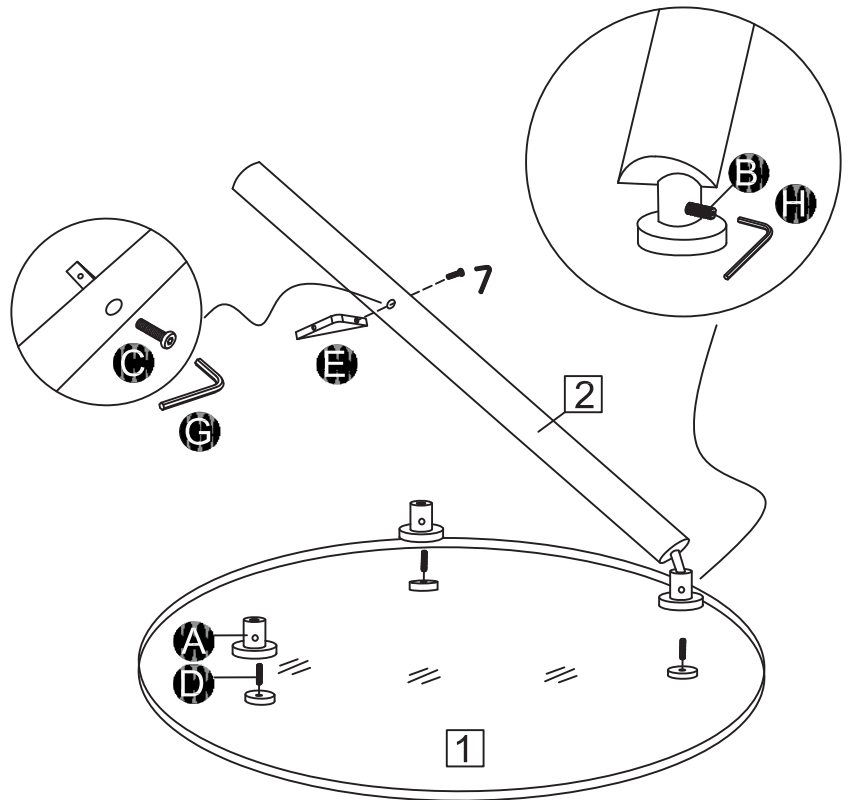
# Assembly Instructions

## Step 1

Place the table top **1** upside down on a flat clear surface.

Screw **D** rods into the table and proceed to attach the grub screws **B** to secure the legs in place with the table attachment **A**.

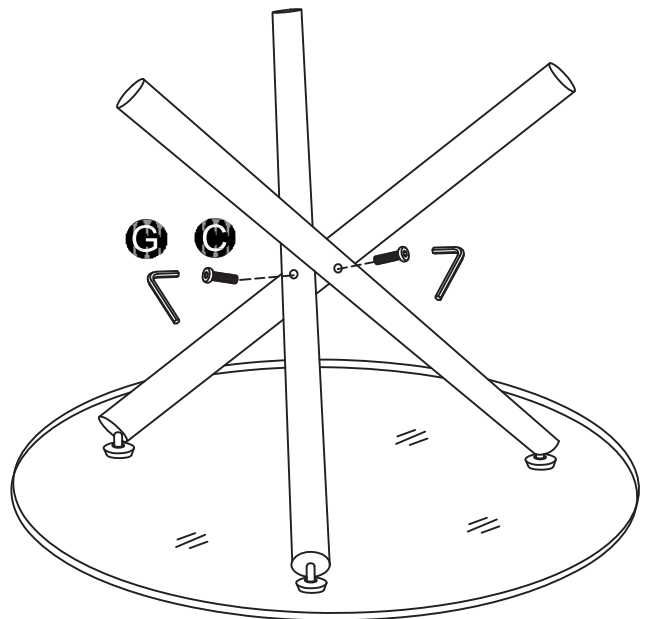
Screw **A** into the connector **E** for one of the legs.



## Step 2

Next insert the two remaining **C** screws through the legs and into the connector **E**.

Tighten using allen key **G**.



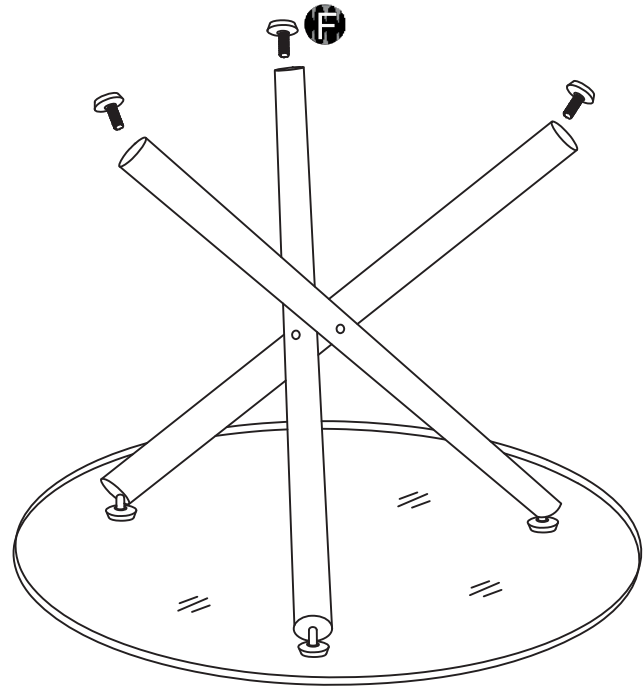
### Step 3

Insert feet **F** into the legs.  
Make sure all screws are tight.

#### **WARNING**

The table is heavy.  
Lift with care.

Two People Required



### Step 4

Assembly Completion



**Warning:** With help, turn the table around to complete assembly.

#### **WARNING**

The table is heavy.  
Lift with care.

Two People Required

