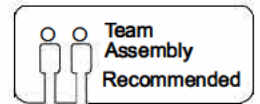
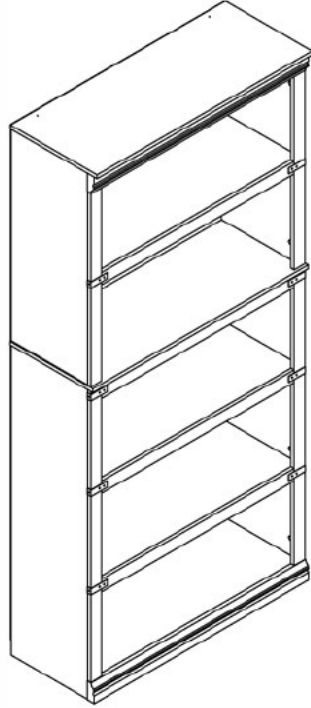
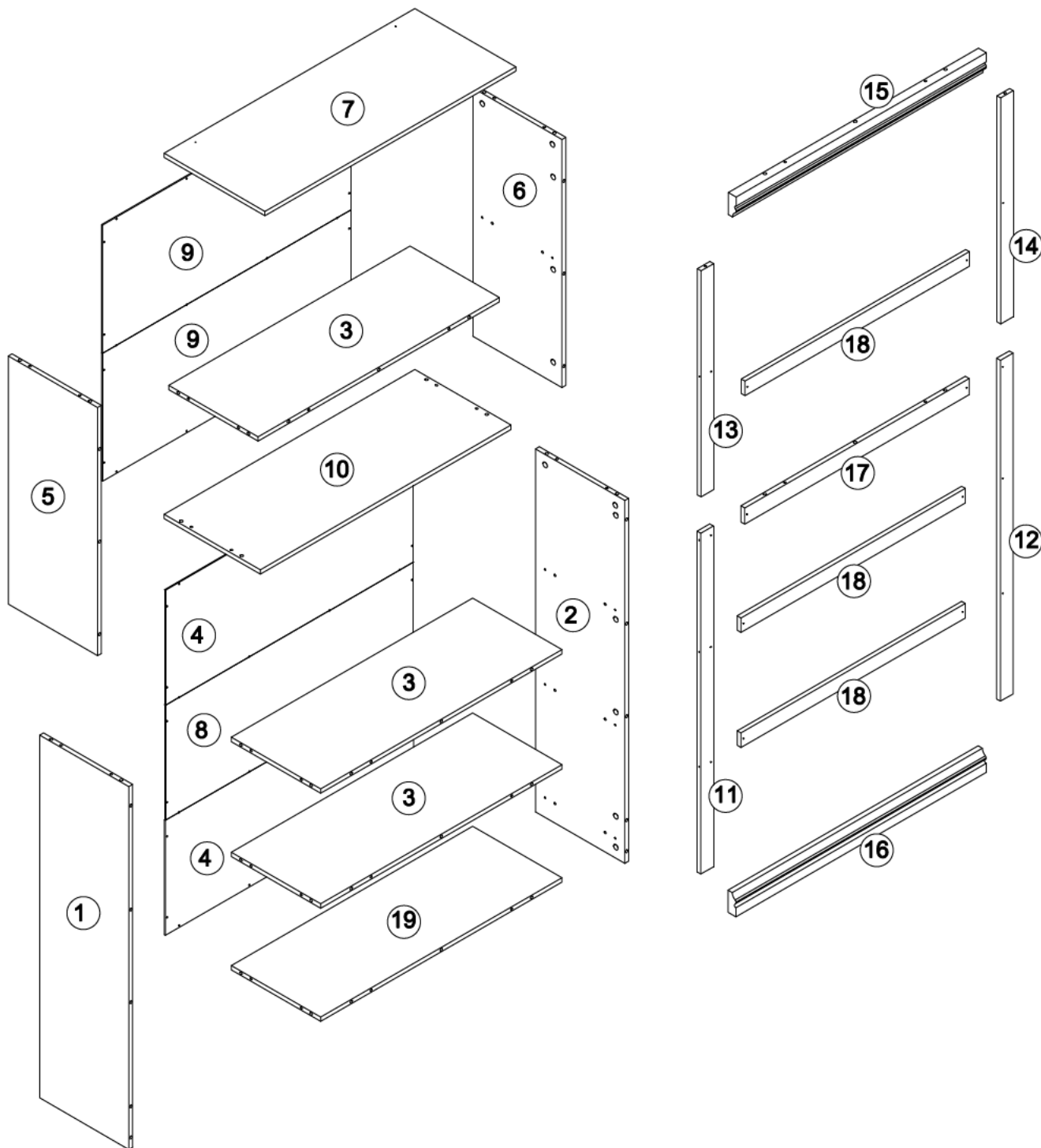


Assembly Instruction



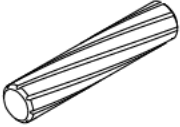

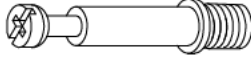

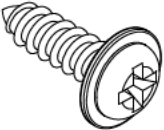
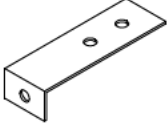
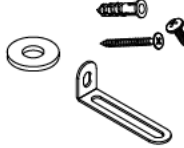
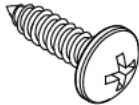
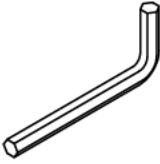

Please check that you have all the parts listed below



1		x1	7		x1	13		x1
2		x1	8		x1	14		x1
3		x3	9		x2	15		x1
4		x2	10		x1	16		x1
5		x1	11		x1	17		x1
6		x1	12		x1	18		x3
						19		x1

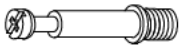
HARDWARE LIST

Please check that you have all the parts listed below

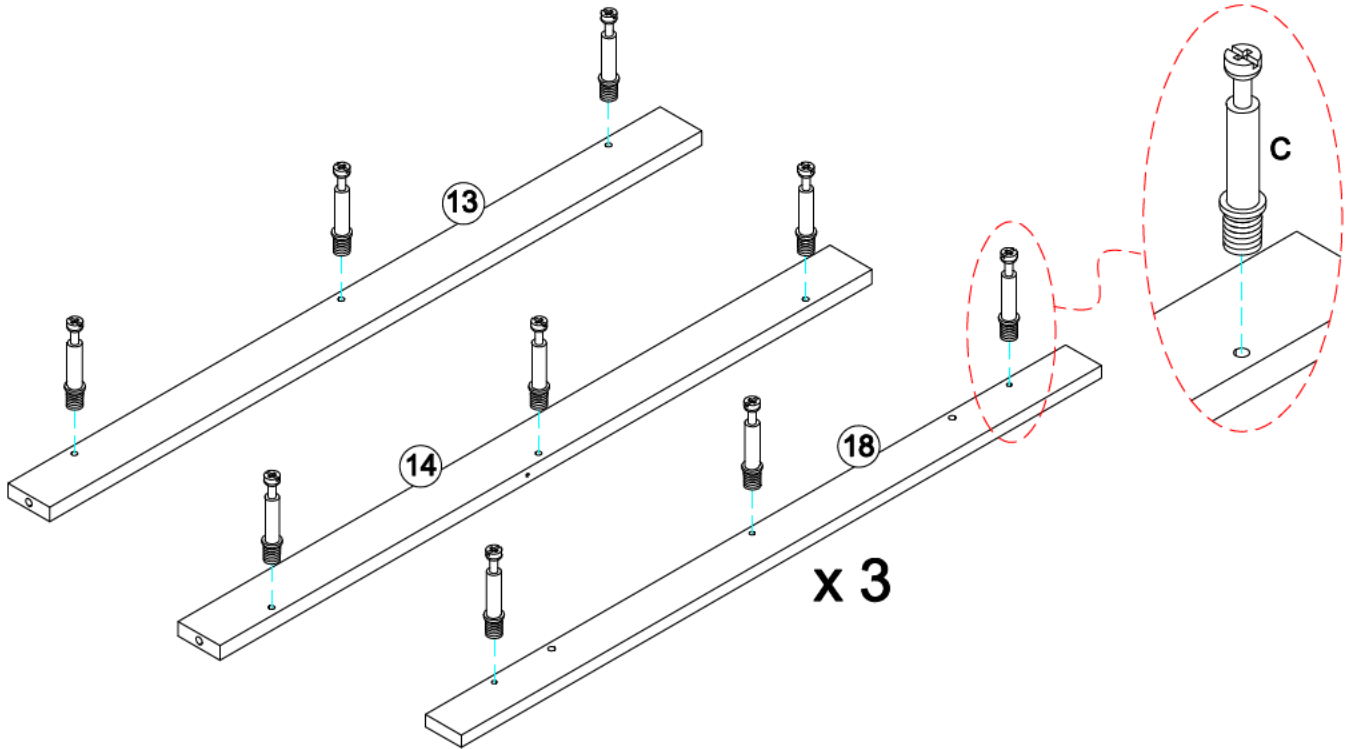
A x 42+2PCS  Ø6*30mm	B x 58+2PCS  Ø15*9mm	Cx 58+2PCS  Ø6*35mm	D x 4+1PC  Ø7*38mm
E x 48+2PCS  Ø8*Ø3.5*12mm	F x 8PCS  Ø8*Ø4*10mm	G x 2PCS  Ø8*Ø4*10mm	H x 24+2PCS  Ø8*Ø4*10mm
J x 1PC  M4	K x 1PC 		

1

Ø6x35mm



C x 15



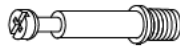
2

Ø6x30mm

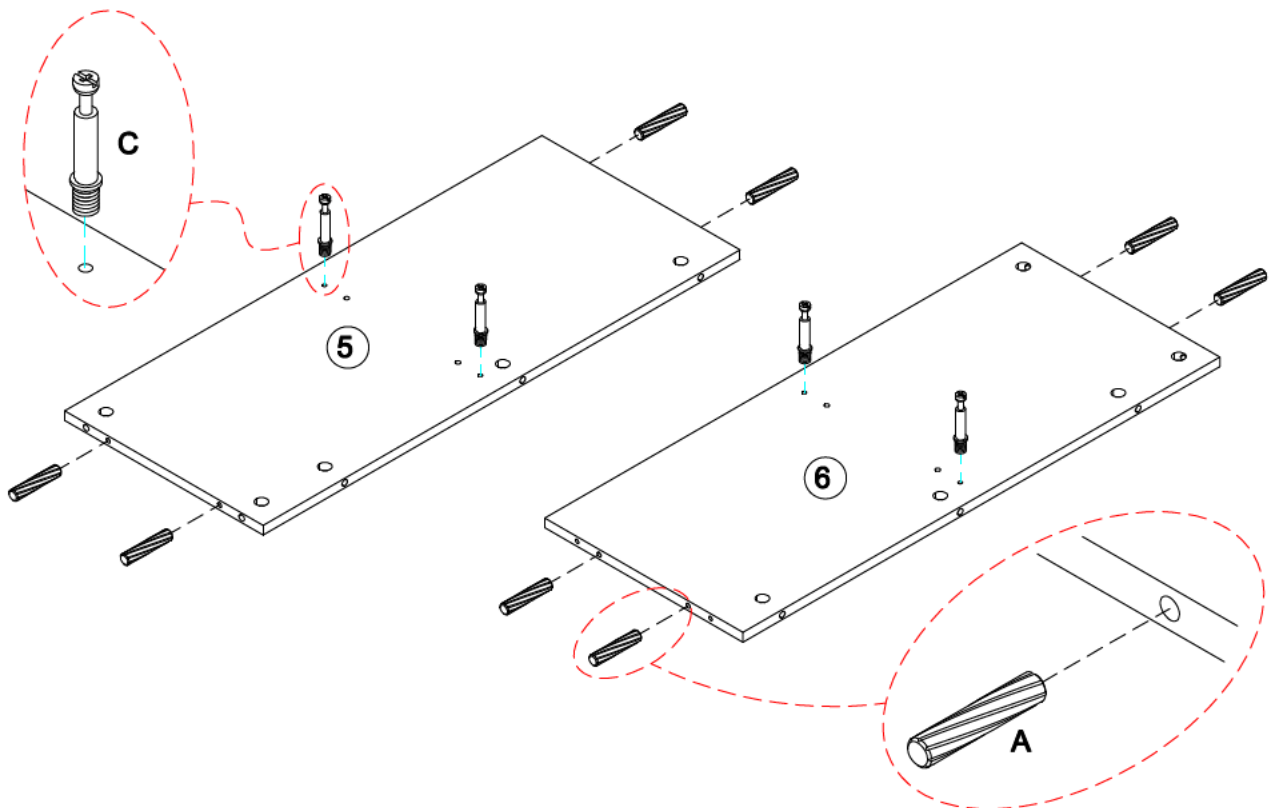


A x 8

Ø6x35mm

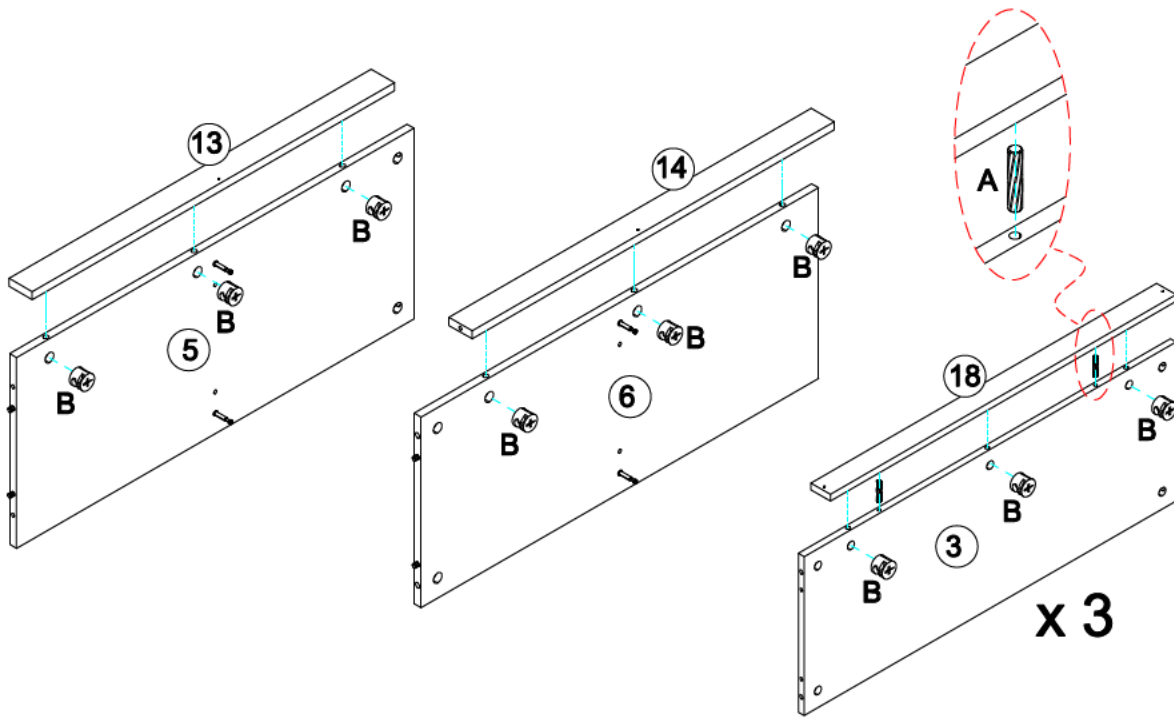


C x 4

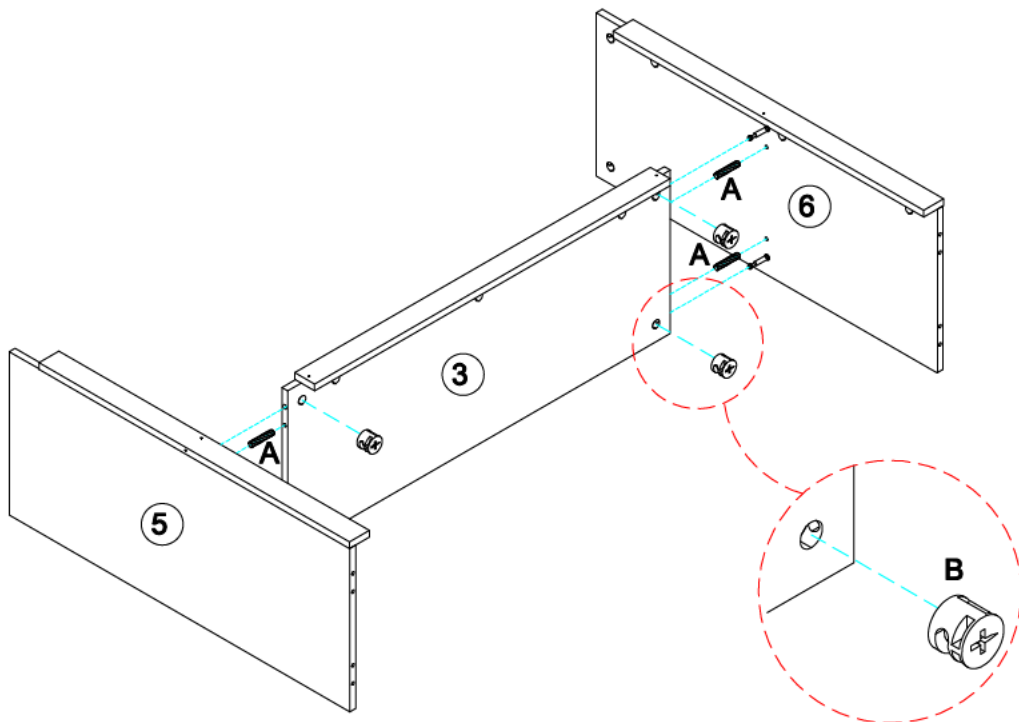
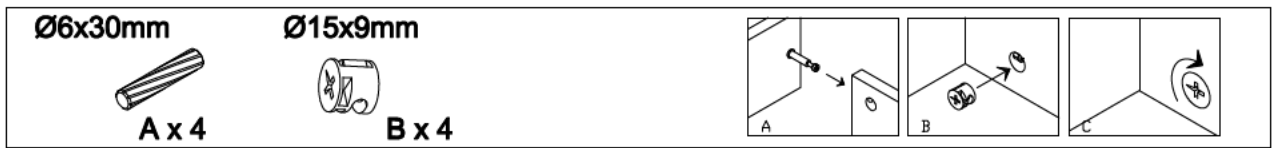


PRODUCT ASSEMBLY

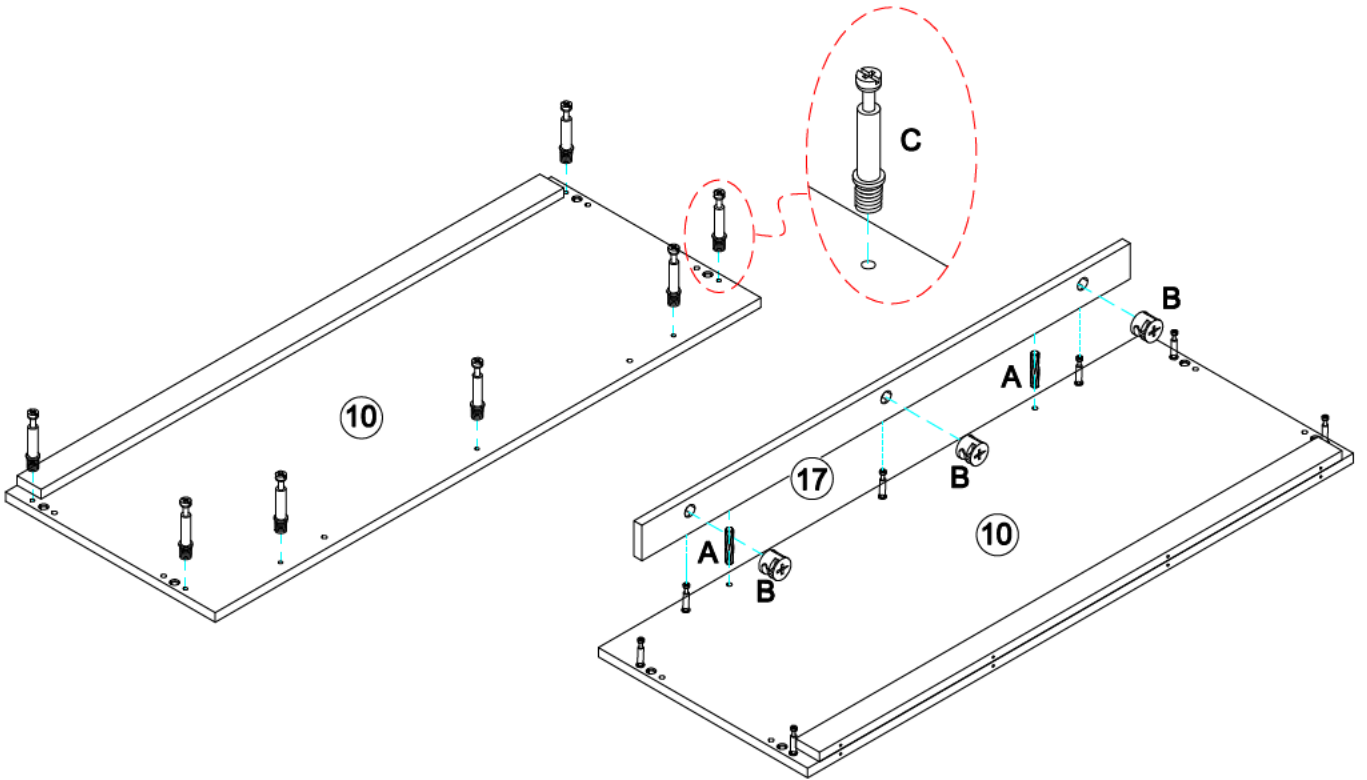
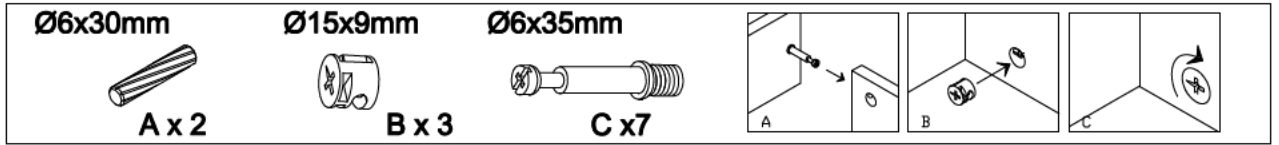
3



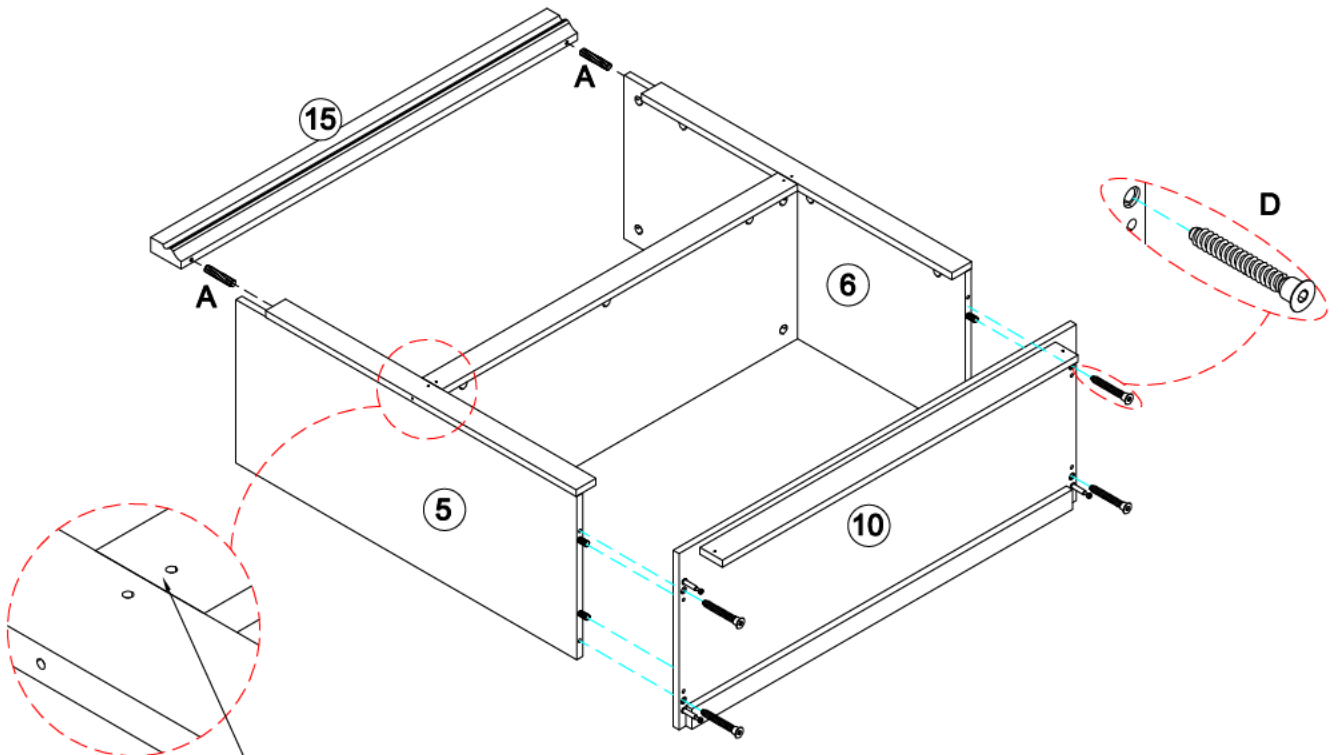
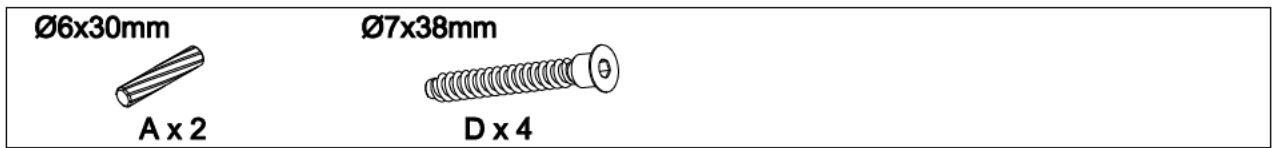
4



5



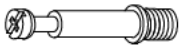
6



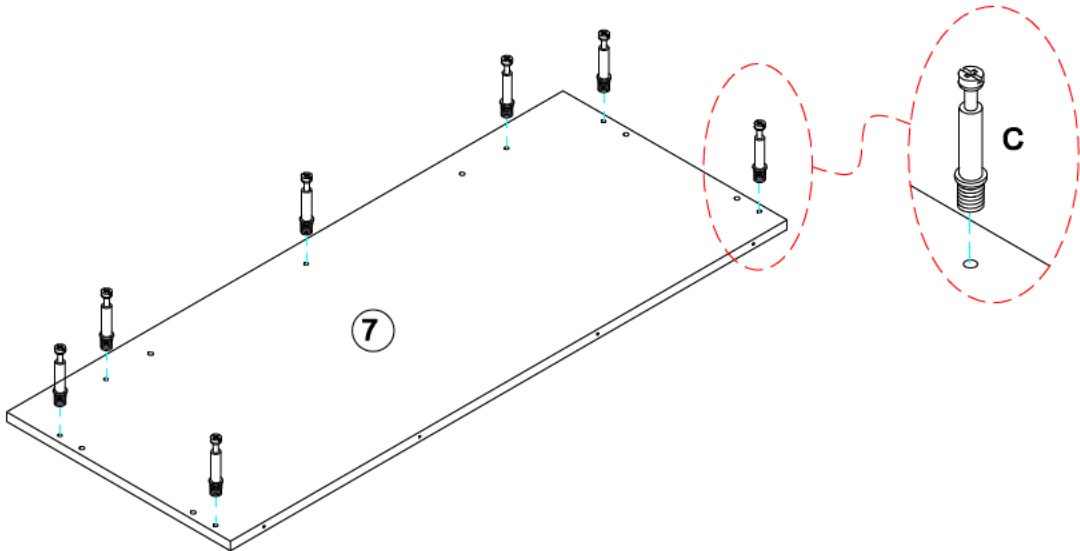
Noted the holes is alignment

7

Ø6x35mm



C x7



8

Ø6x30mm

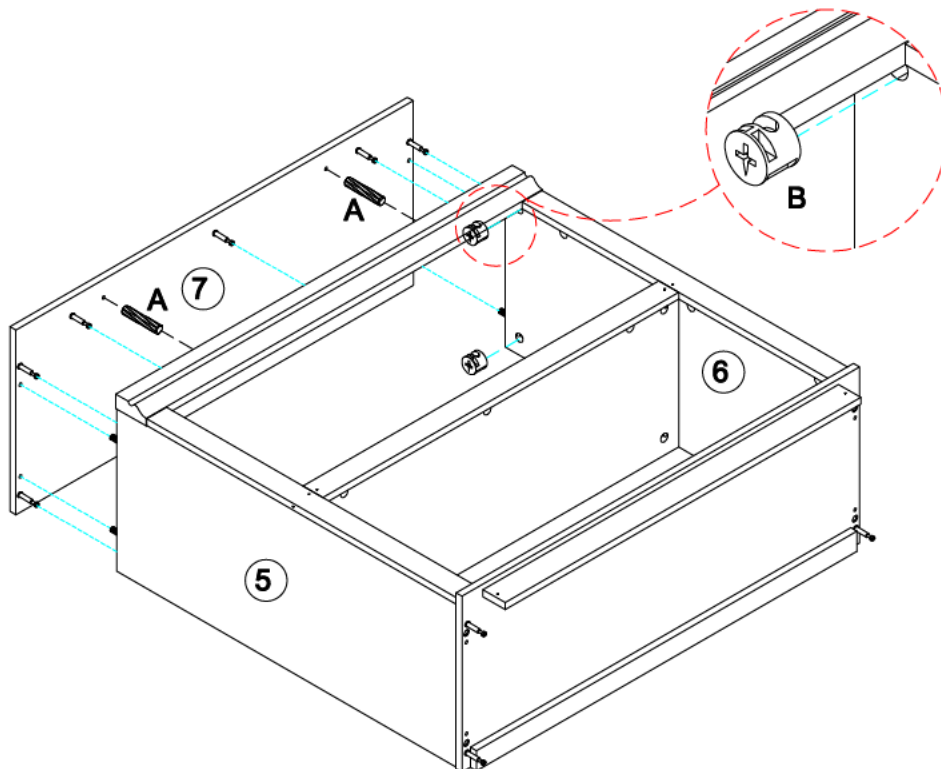
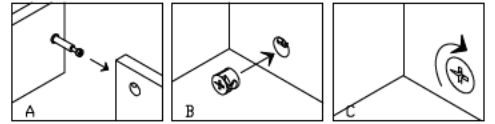


A x 2

Ø15x9mm

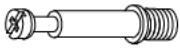


B x 7

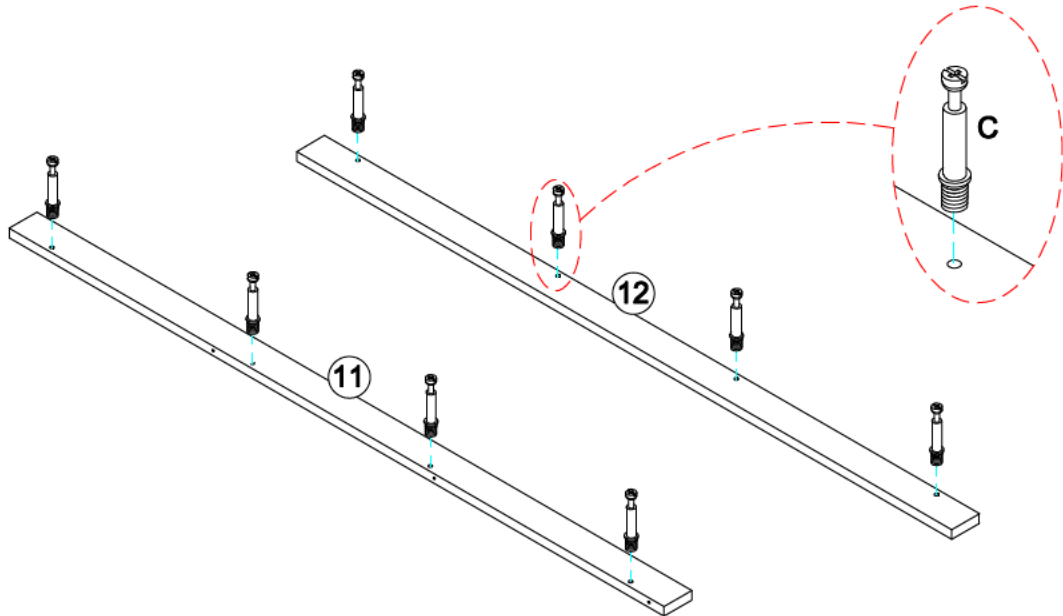


9

Ø6x35mm



C x 8



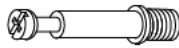
10

Ø6x30mm

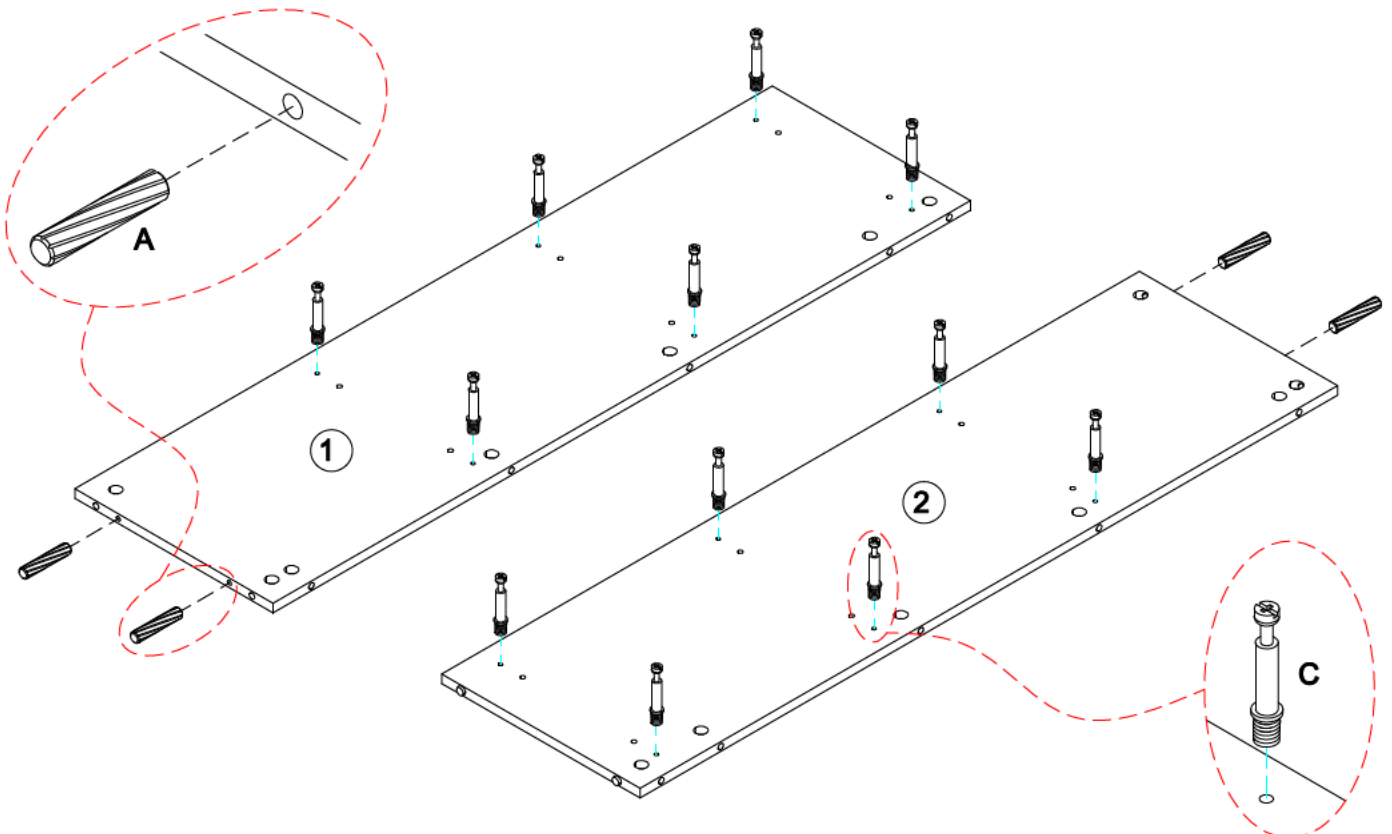


A x 4

Ø6x35mm



C x 12

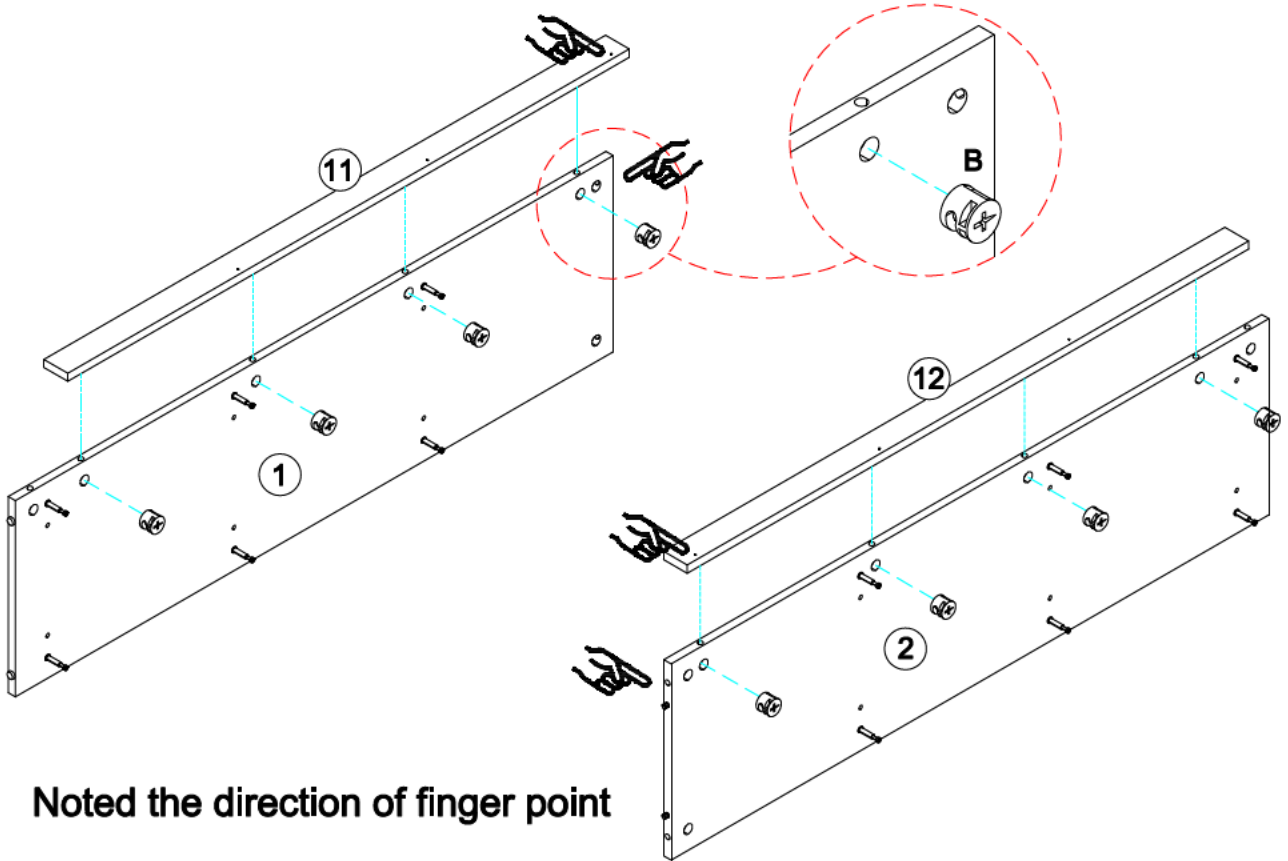
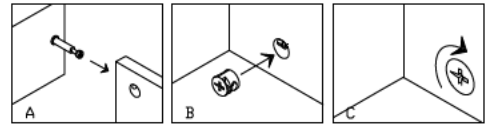


11

Ø15x9mm



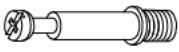
B x 8



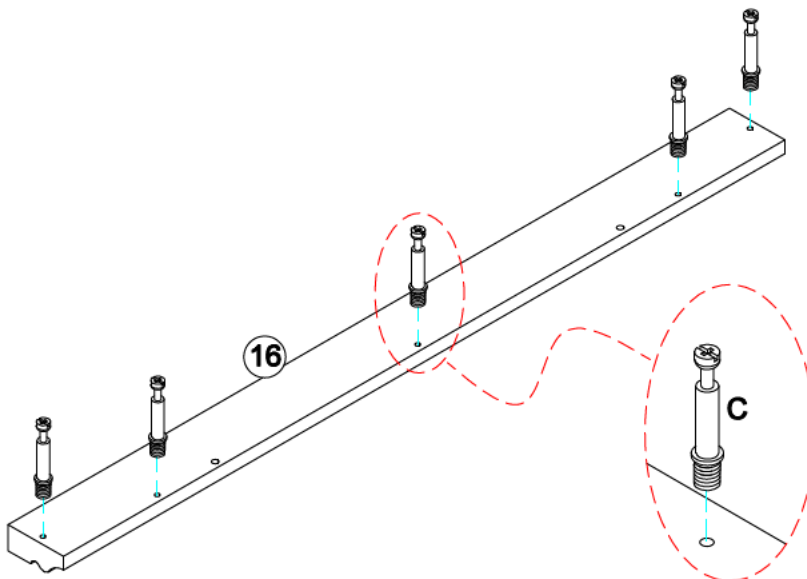
Noted the direction of finger point

12

Ø6x35mm



C x 5



13

Ø6x30mm

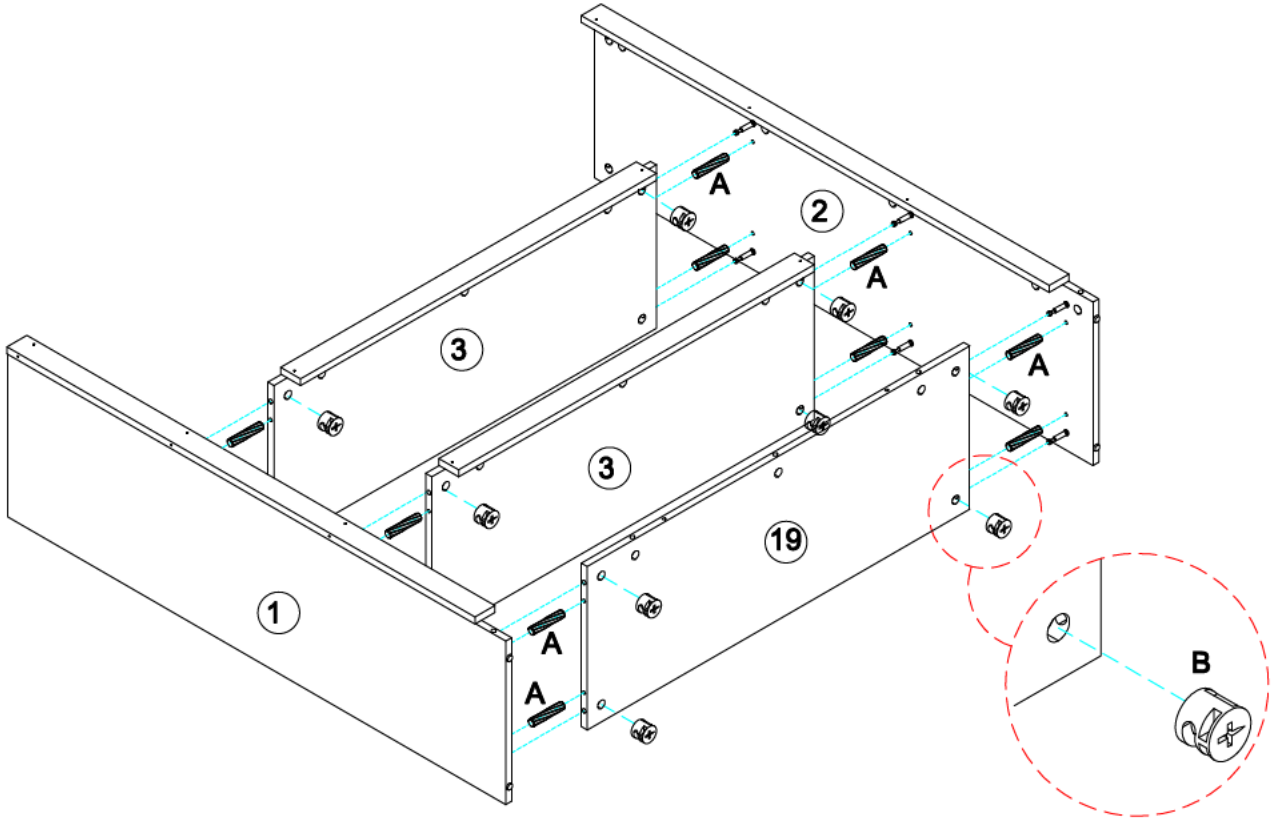
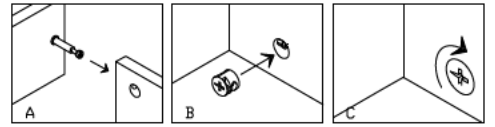


A x 12

Ø15x9mm



B x 12



14

Ø6x30mm

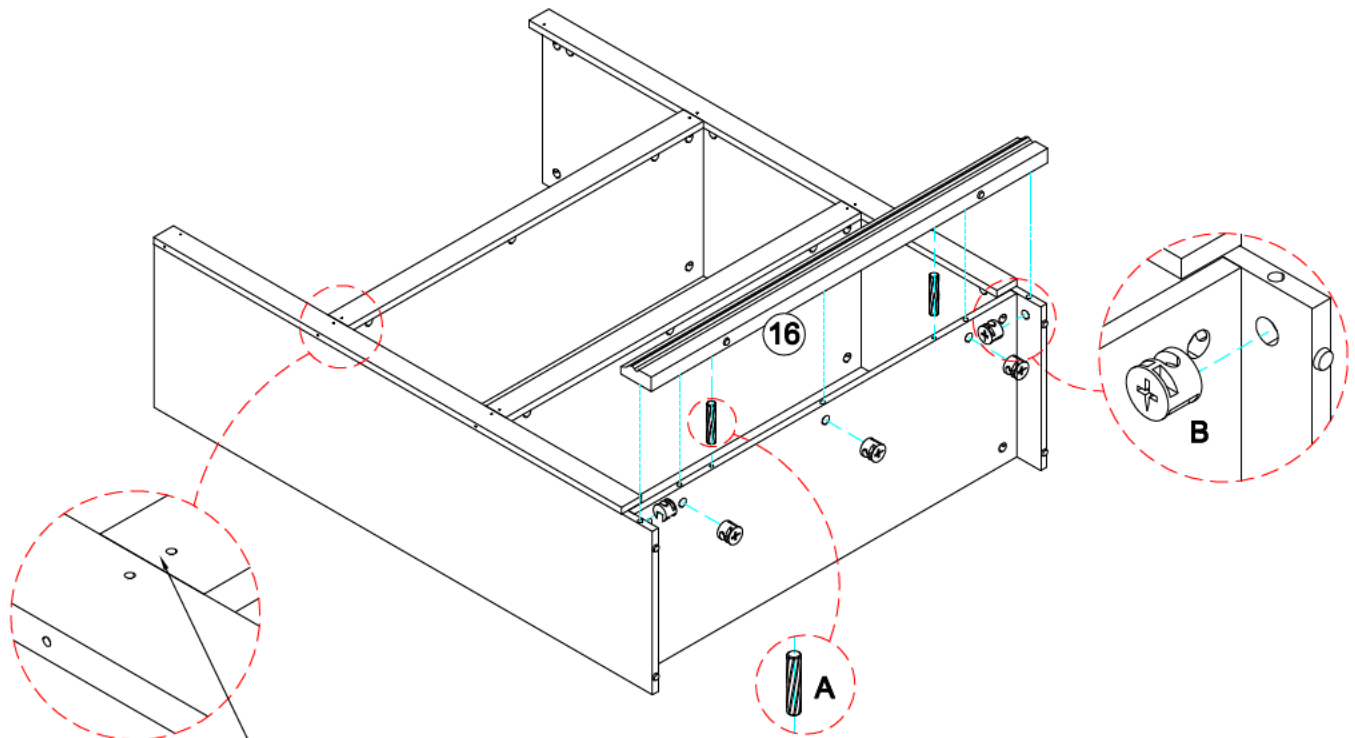
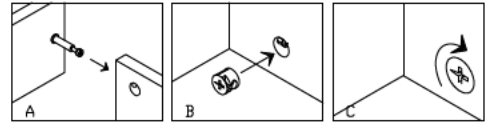


A x 2

Ø15x9mm



B x 5



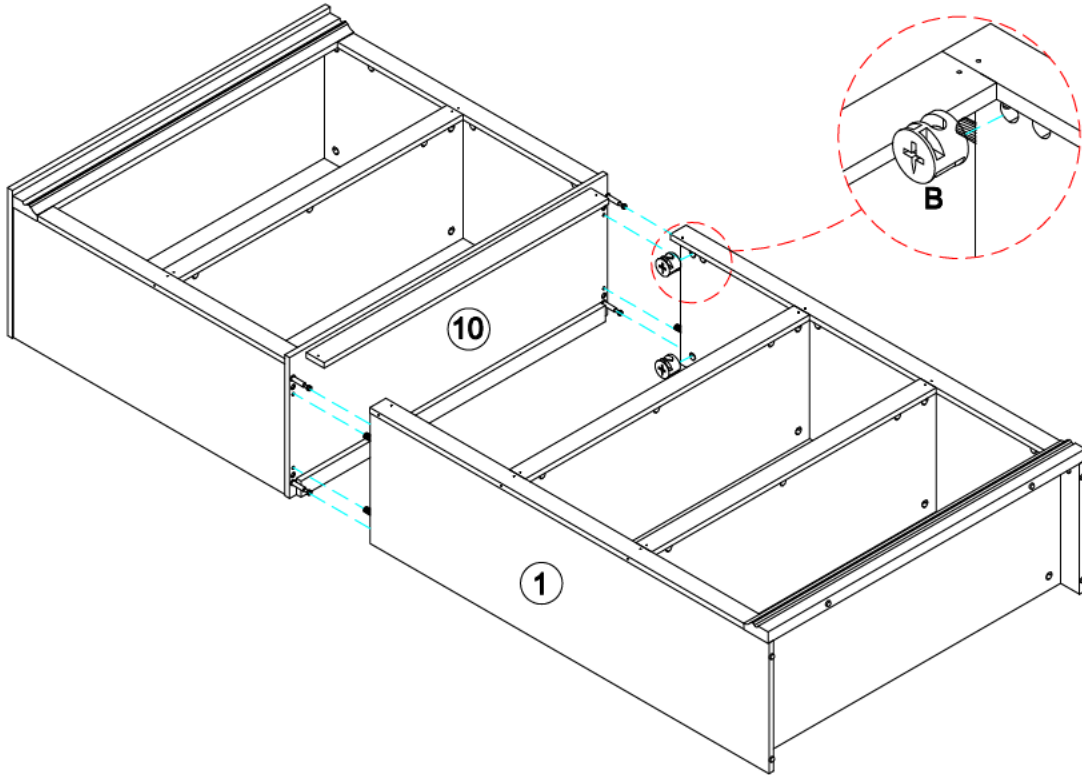
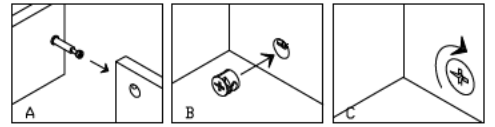
Noted the holes is alignment

15

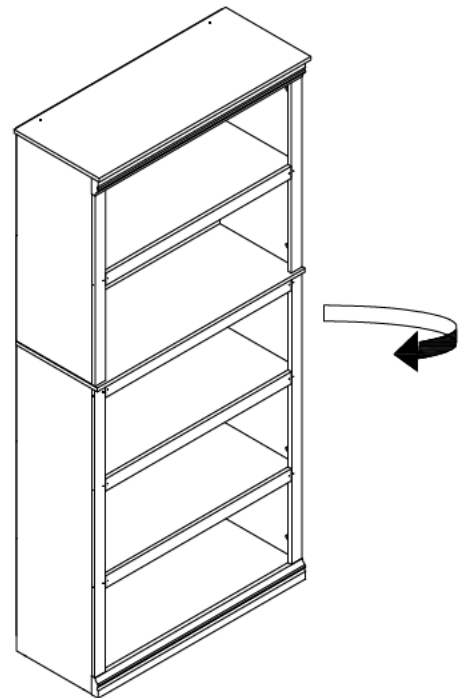
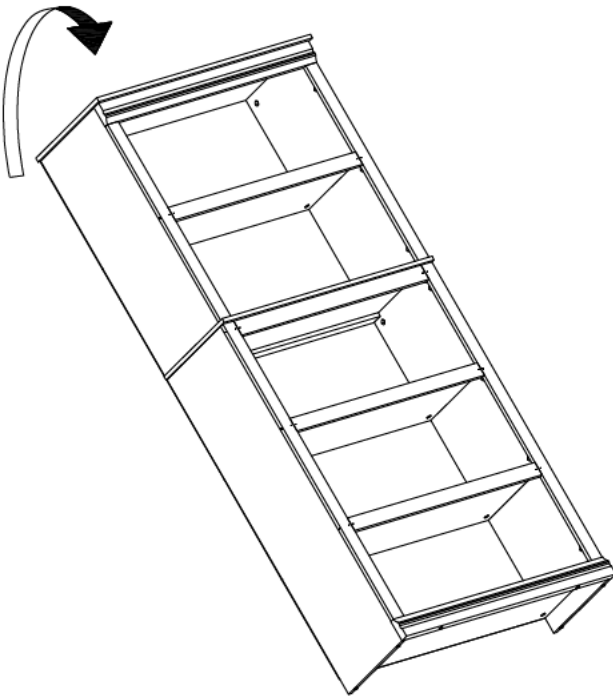
Ø15x9mm



B x 4



16

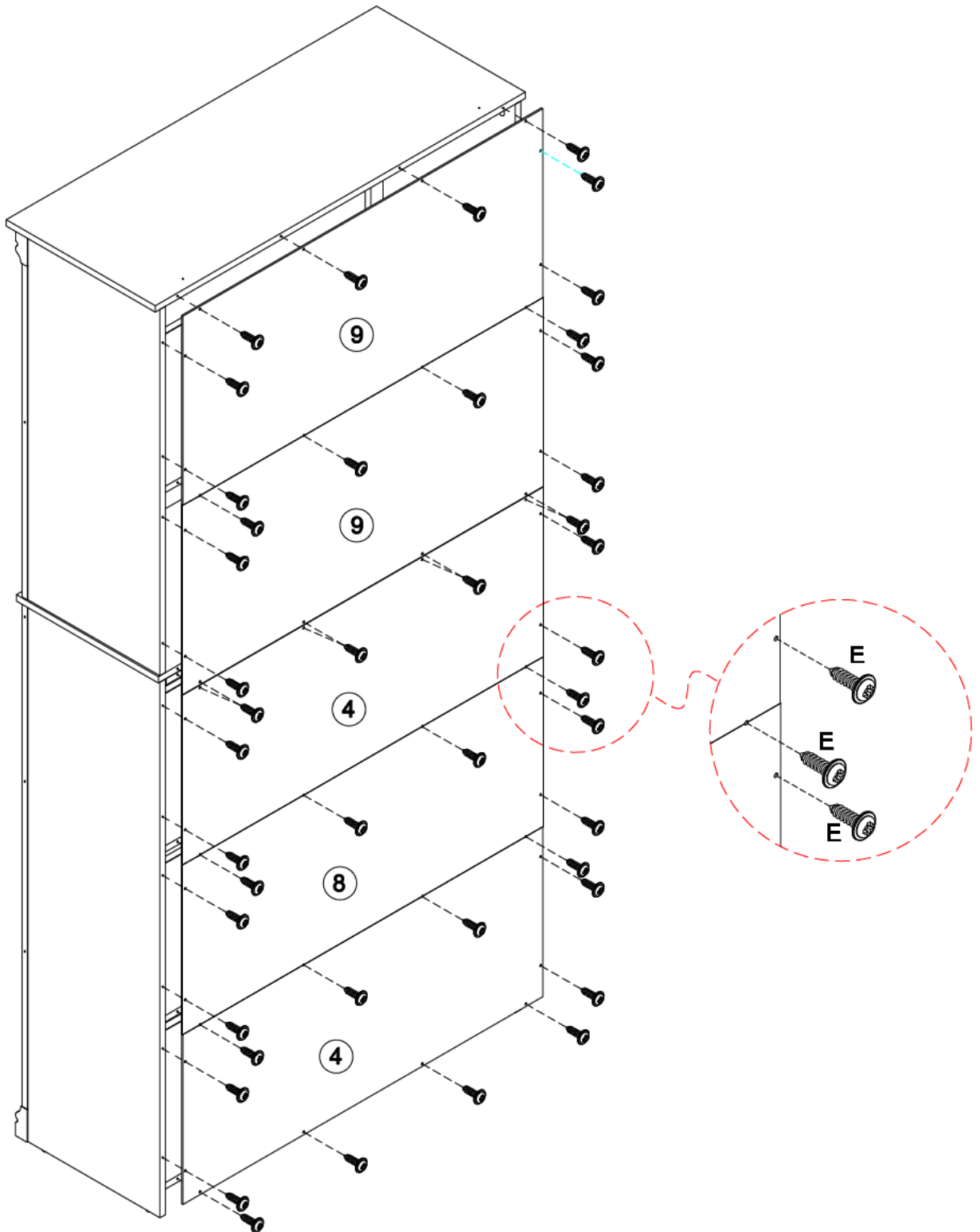


17

Ø3.5*12mm



E x 48

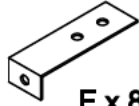


18

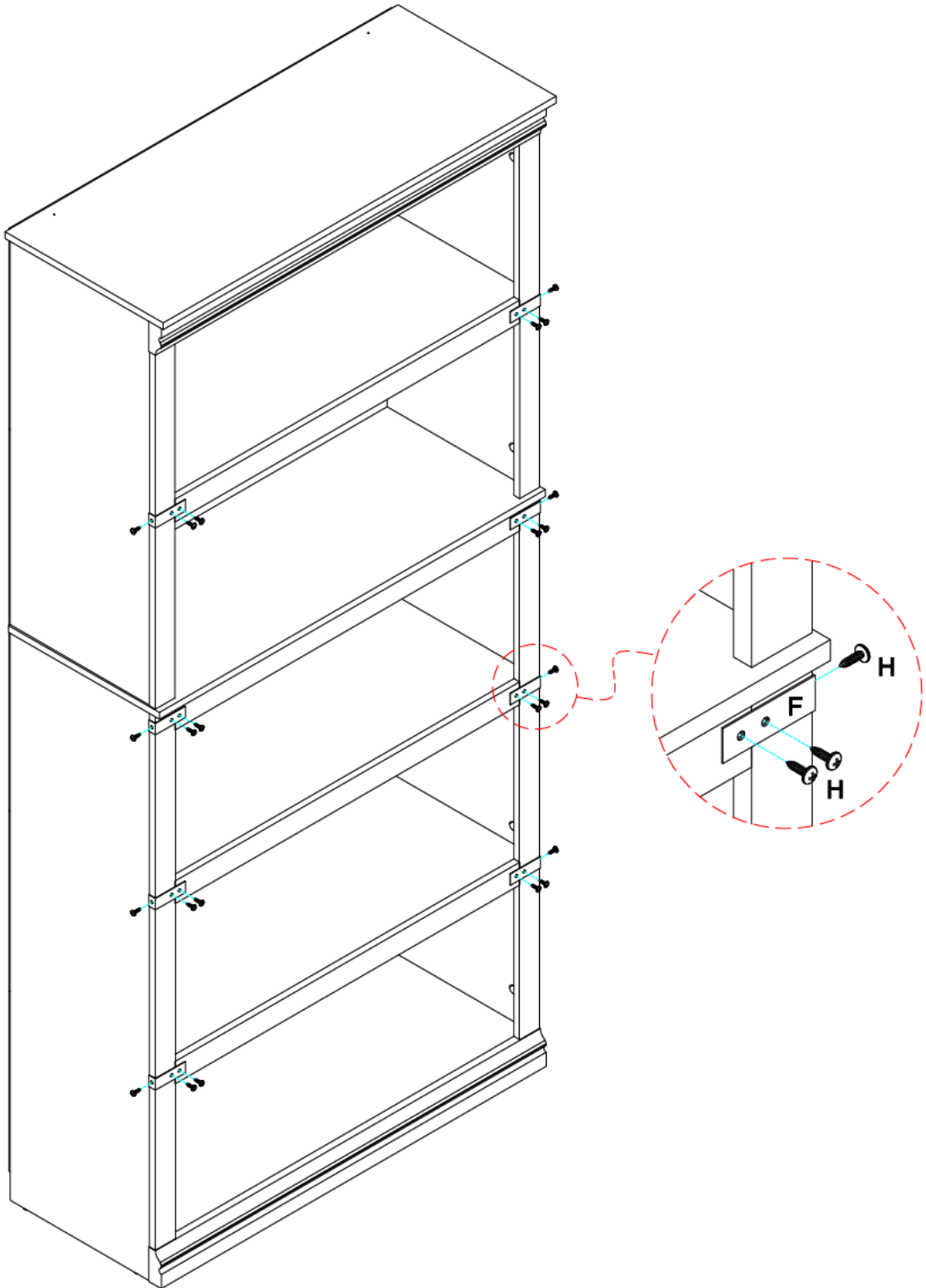
Ø4*10mm



H x 24



F x 8



19

G x 2

