



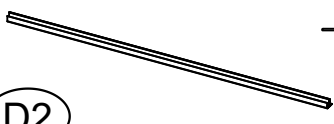




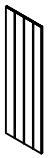

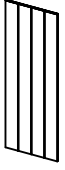
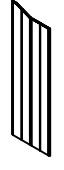
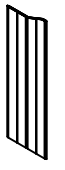

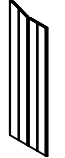
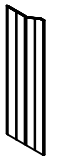


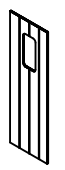

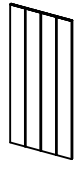
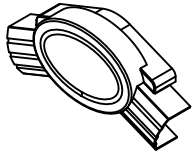


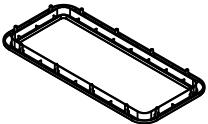
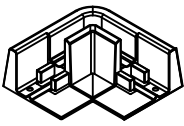
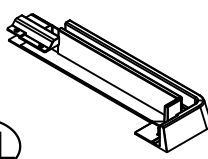
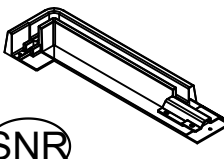


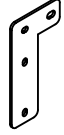
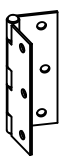
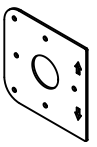
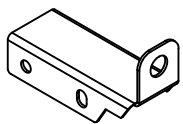





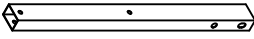
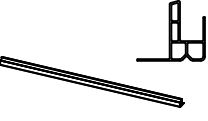
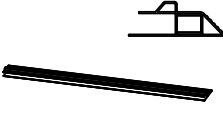





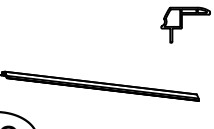
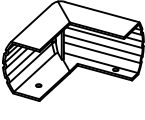
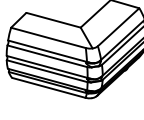

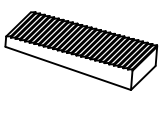
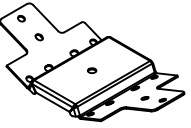
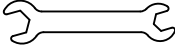
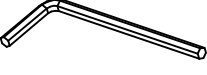
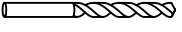
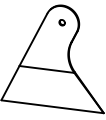
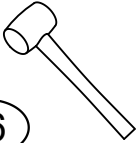




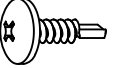


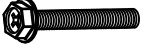


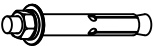



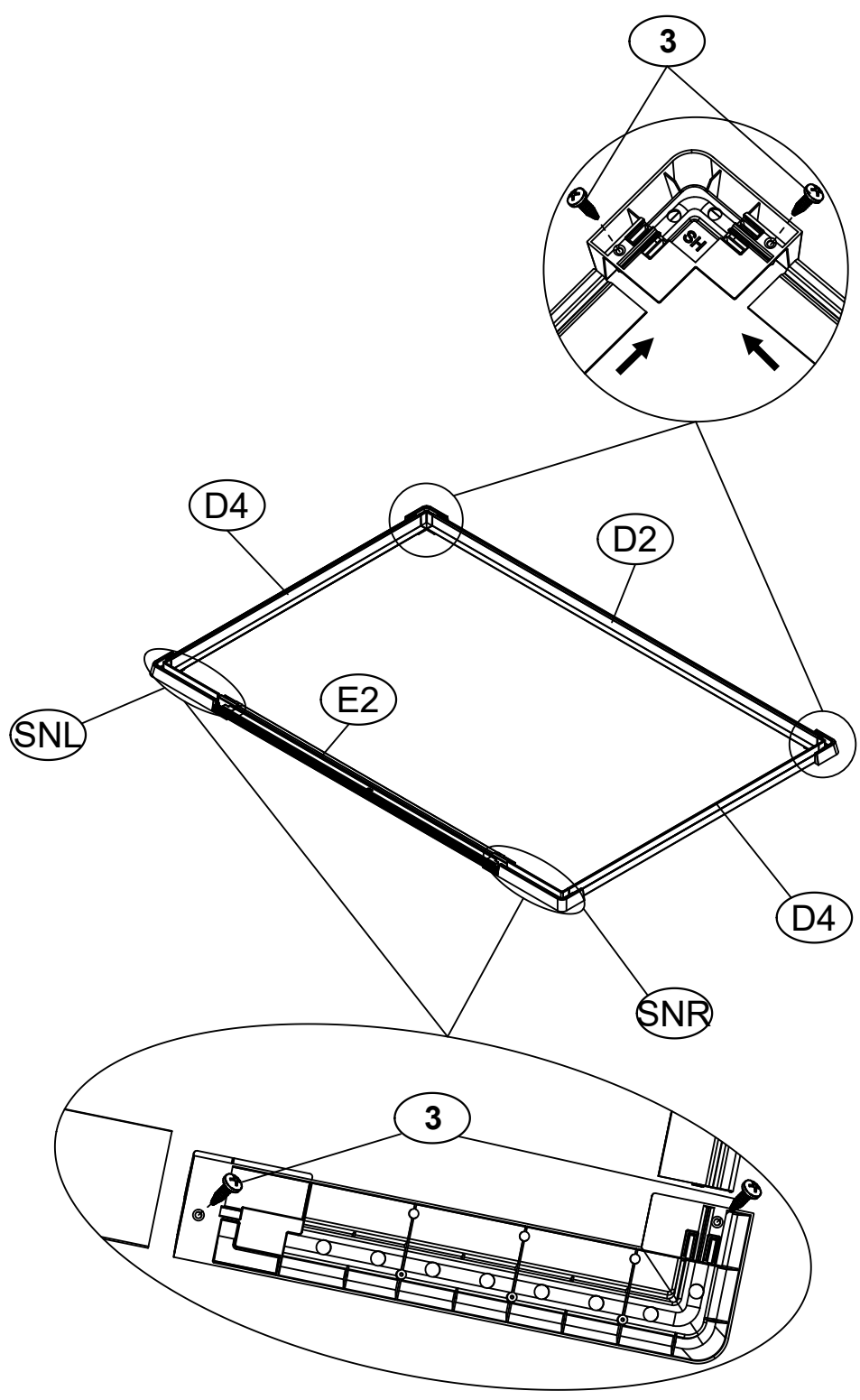
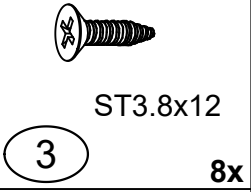
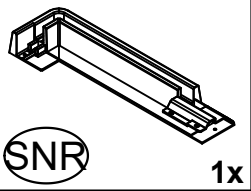
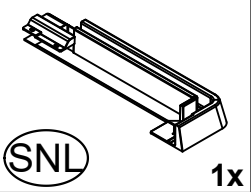
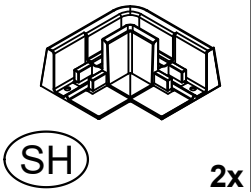
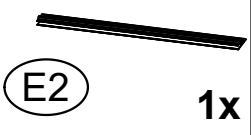
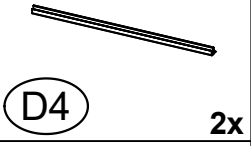
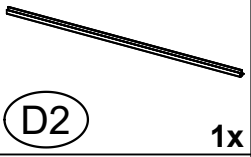
Parts List (Box 1)

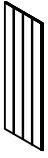


 (DR) 1x	 (DL) 1x	 (U1) 1x	
 (R2) 2x	 (D2) 1x	 (F2) 1x	
 (N2) 1x	 (Q3) 1x	 (A3) 1x	 (A4) 1x
 (B1) 1x	 (B2) 1x	 (B4L) 1x	 (B4R) 1x
 (B7) 2x	 (B9L) 1x	 (B9R) 1x	 (B10A) 1x
 (B10B) 1x	 (B14L) 1x	 (B14R) 1x	 (C5) 4x
 (SA) 2x	 (SE) 2x	 (SEI) 2x	 (SEO) 2x
 (SH) 2x	 (SNL) 1x	 (SNR) 1x	 (SK) 1x
 (Y7) 1x	 (X1) 2x	 (X2) 6x	 (X3) 1x
 (X5) 1x	<p>rubber sealing strip</p>  (X7) 1x	 (X8) 2x	 (X9) 2x

Parts List (Box 2)

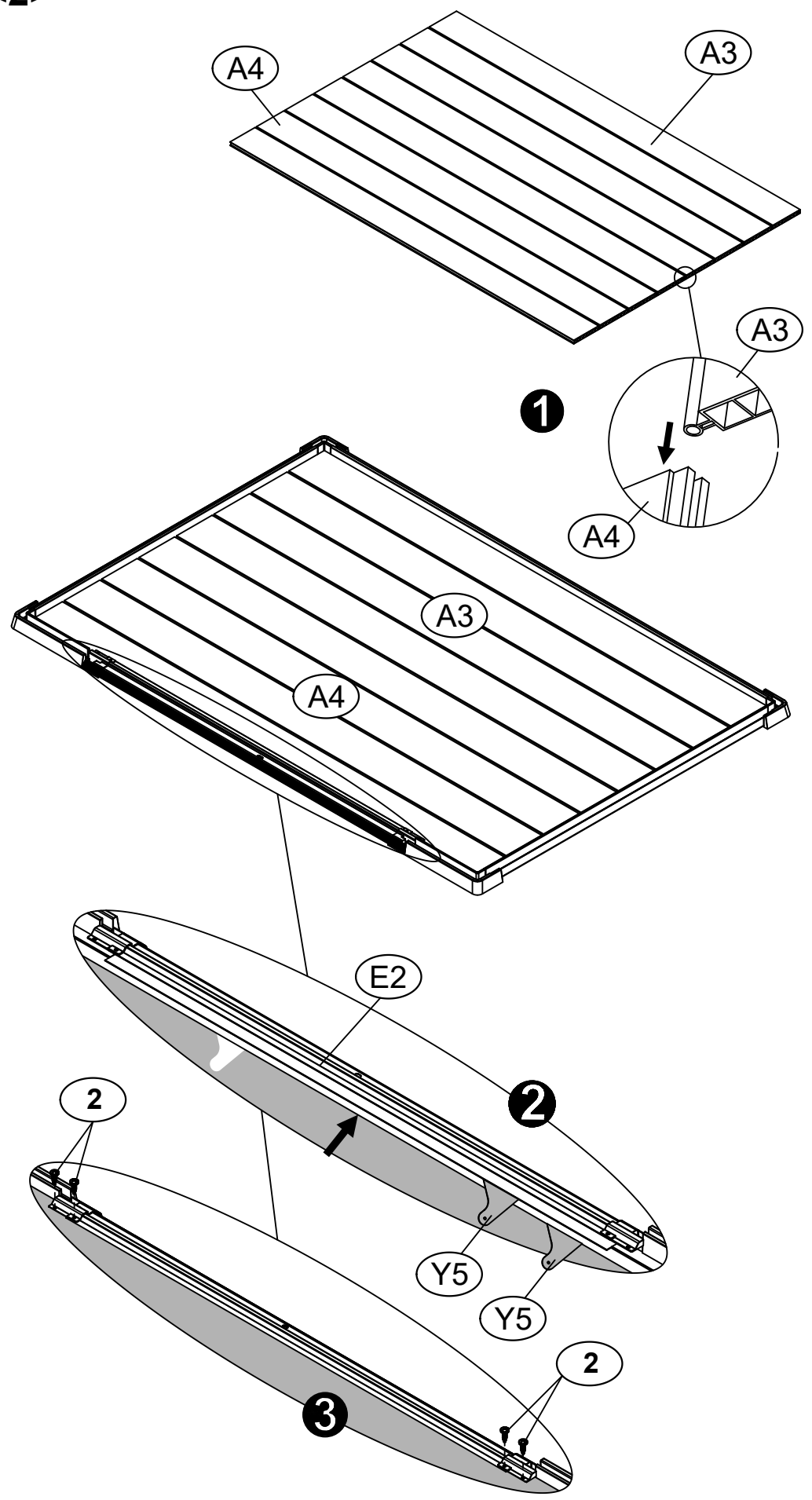
 (DT2) 1x	 (P4) 2x	 (U6) 1x	
 (D4) 2x	 (E2) 1x	 (F5) 2x	 (F8L) 1x
 (F8R) 1x	 (H1) 2x	 (J2) 4x	 (K2) 4x
 (SCA) 2x	 (SCB) 2x	 (SJ) 2x	 (SP) 2x
 (X4) 1x			
TOOL:	 (Y1) 1x	 (Y2) 5MM 1x	 (Y3) 1x
 (Y5) 2x	 (Y6) 1x		
 1 ST3.8x12 35x	 2 ST3.8x14 137x	 3 ST3.8x12 32x	 4 ST4.8x32 31x
 5 ST4.2x16 4x	 6 ST2.8x12 30x	 7 M6x15 14x	 8 M6x40 4x
 9 M6 5x	 11 M6 5x	 12 5x	 13 1x

<1>

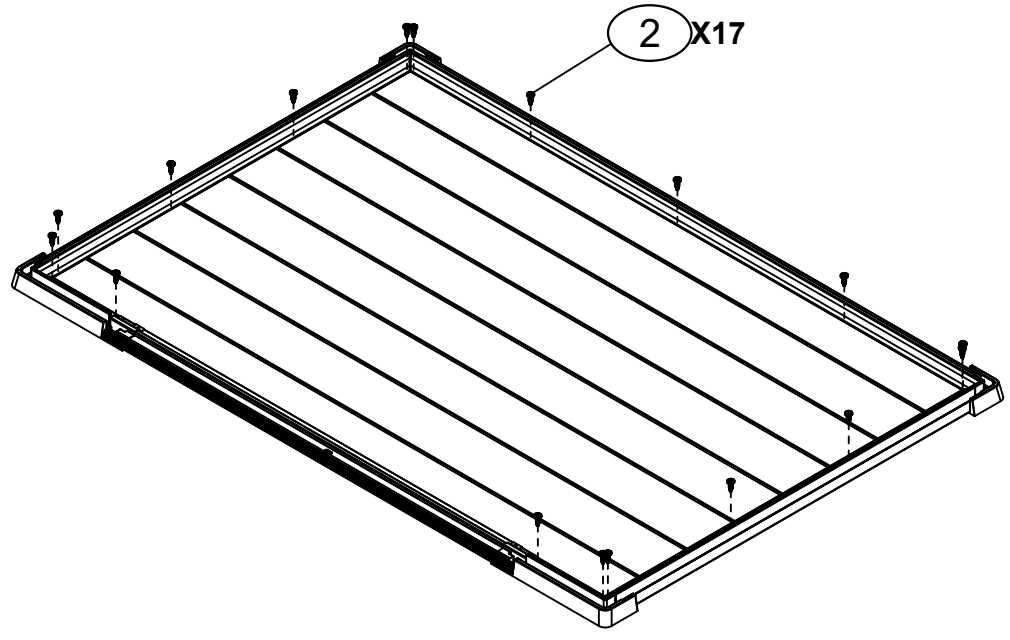
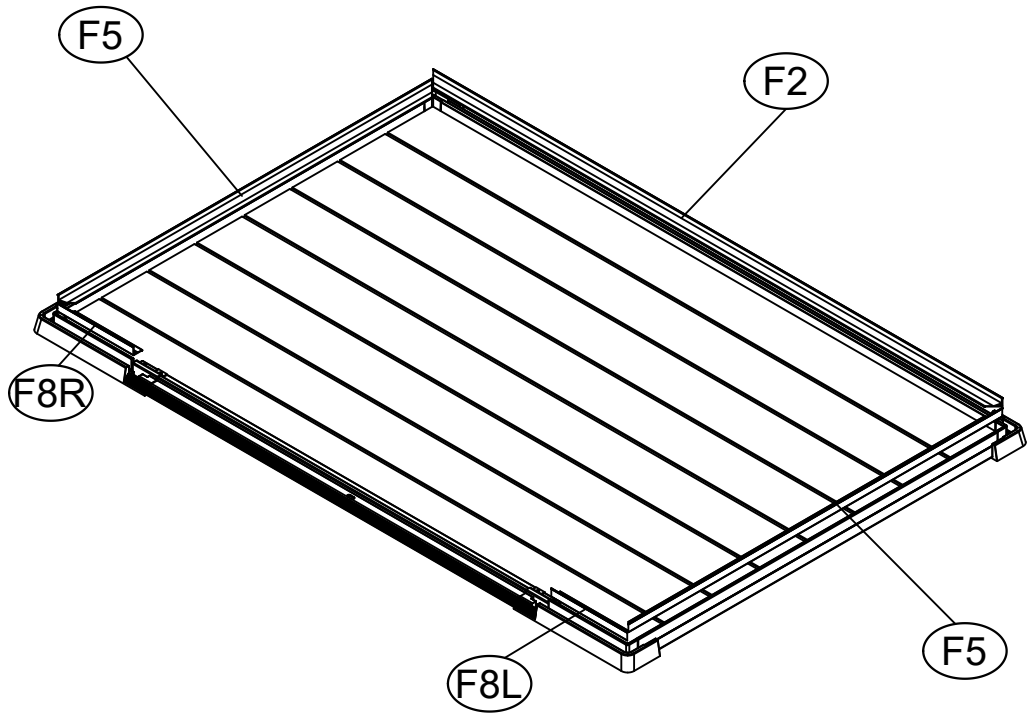
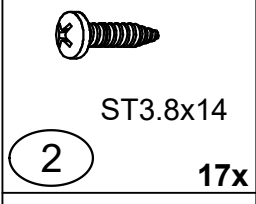
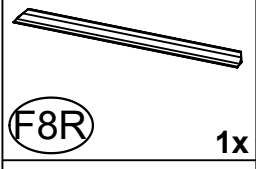
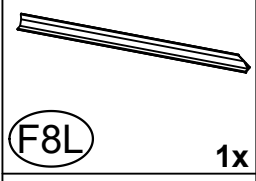
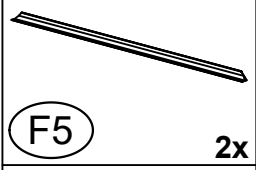
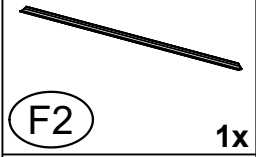


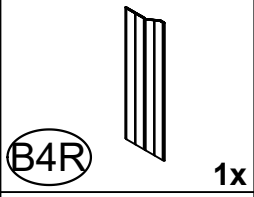
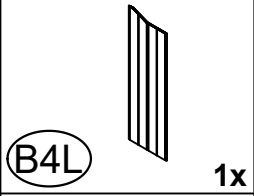
-  **A3** 1x
-  **A4** 1x
-  **2** ST3.8x14 4x

<2>

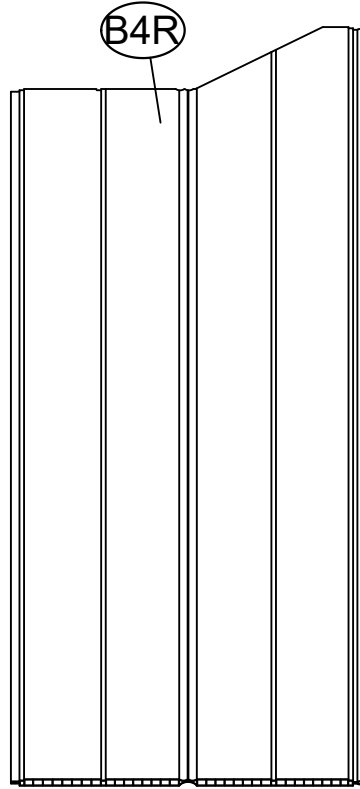


<3>

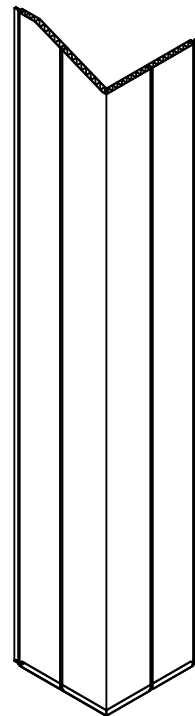
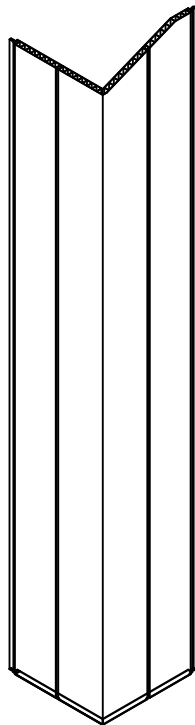
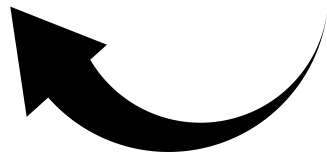
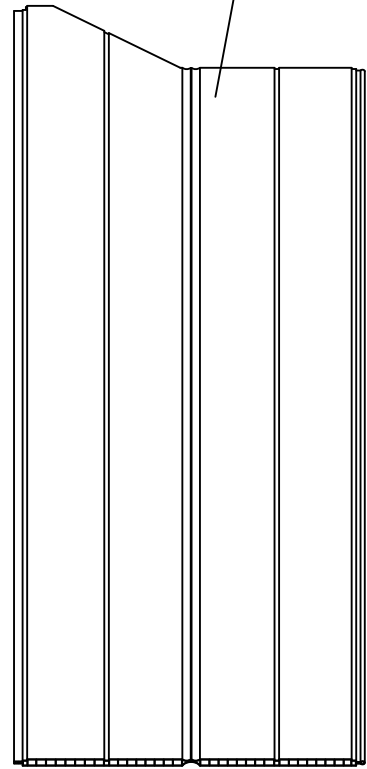


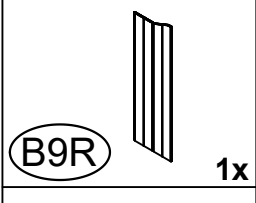
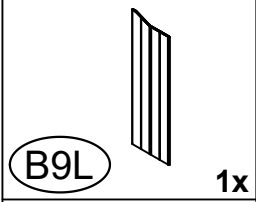


<4>

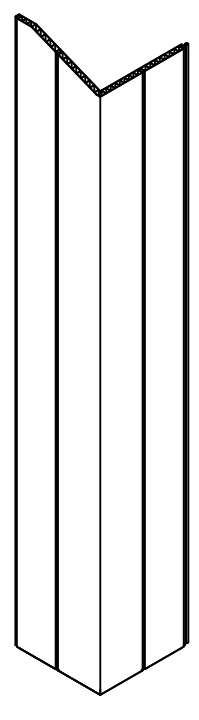
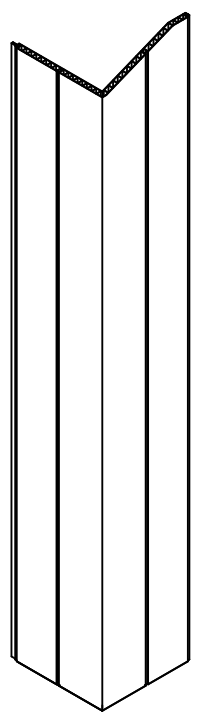
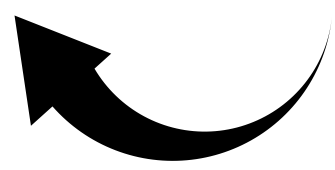
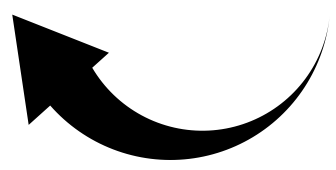
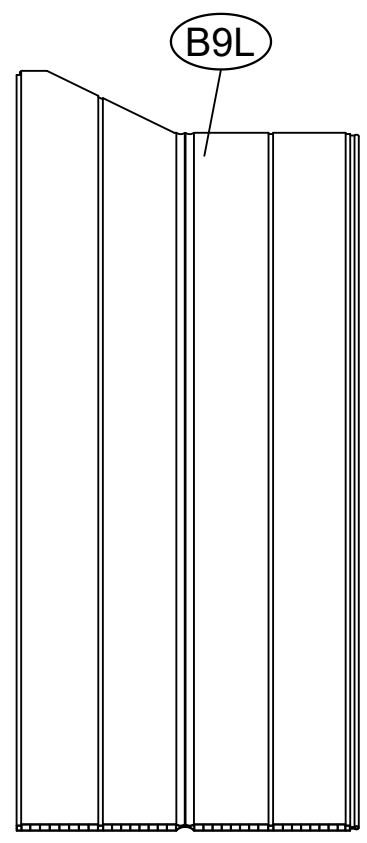
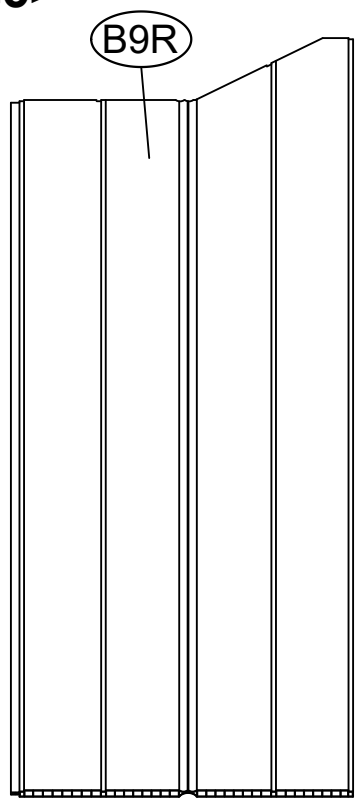


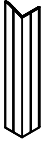
(B4L)





<5>





B9L

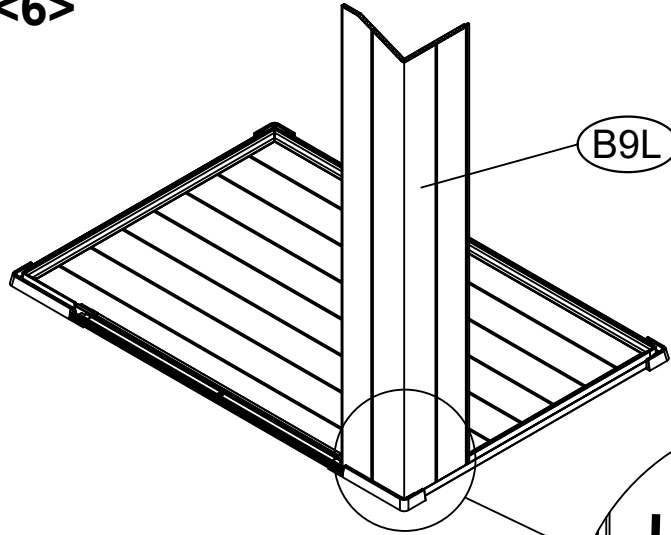
1x



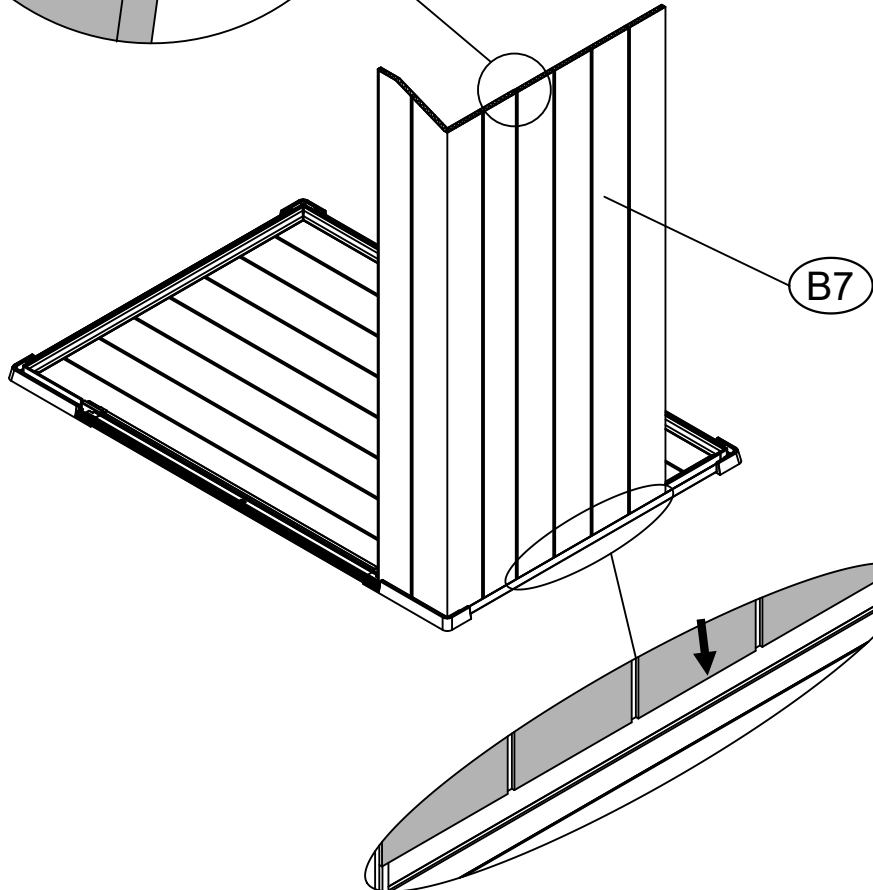
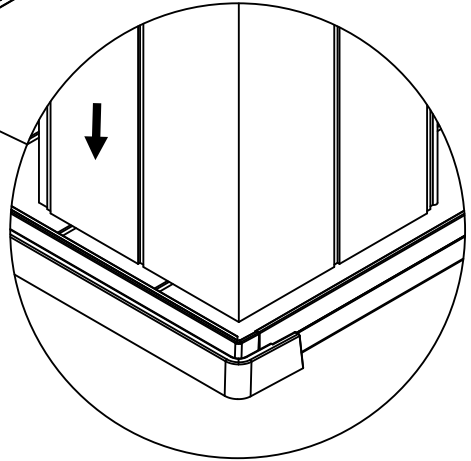
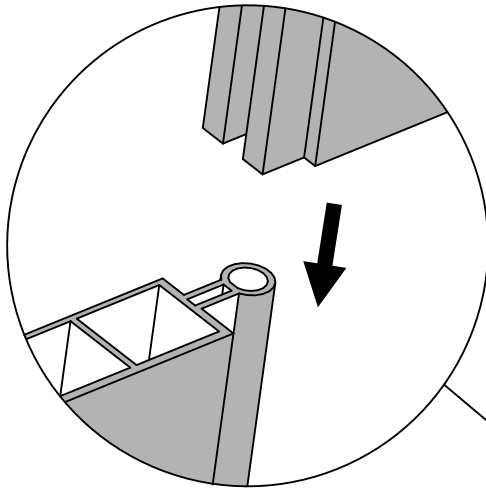
B7

1x

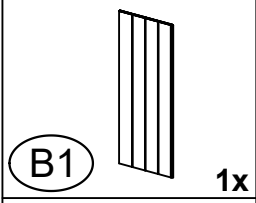
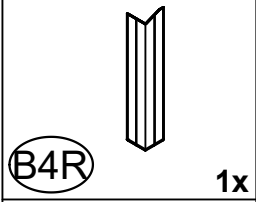
<6>



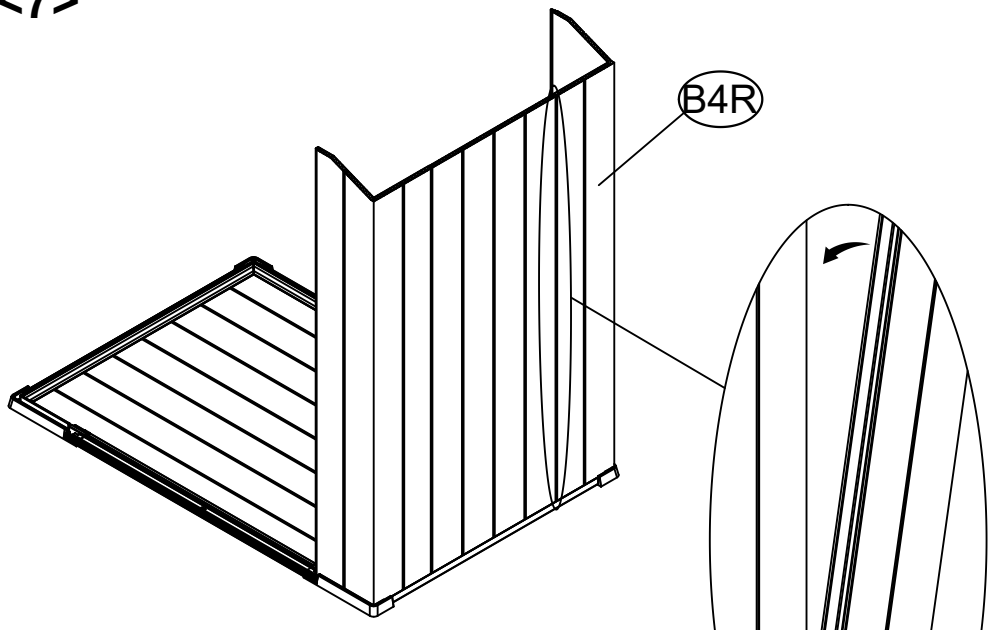
B9L



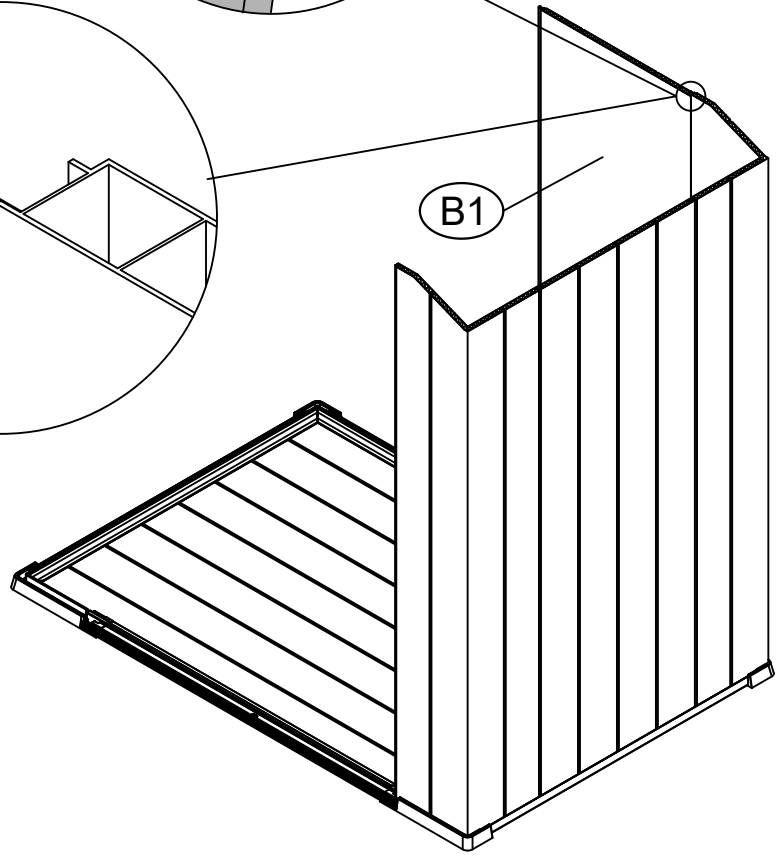
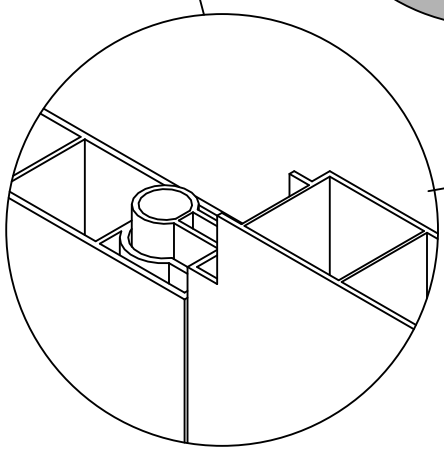
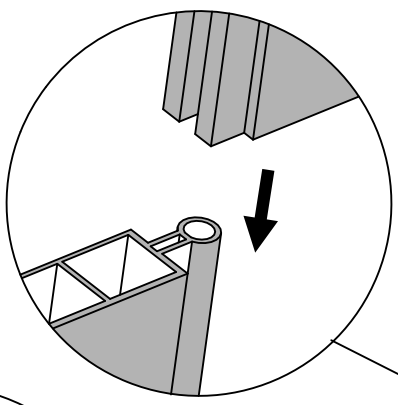
B7



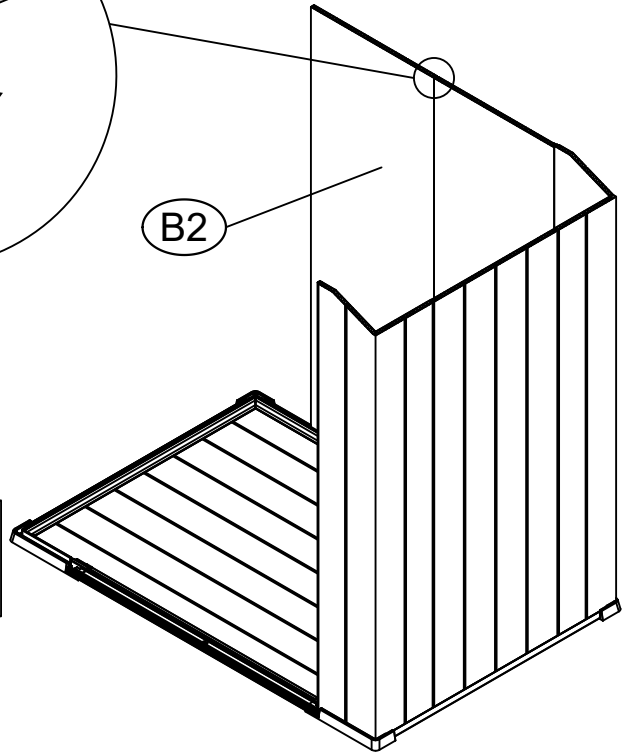
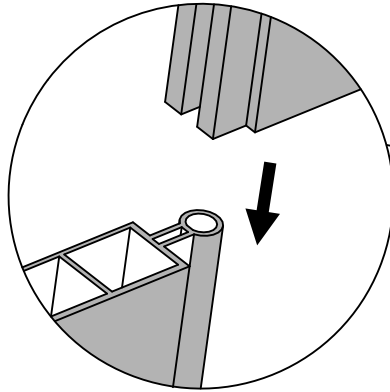
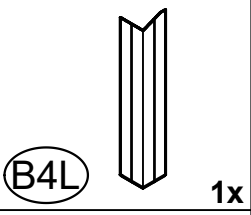
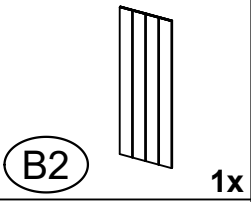
<7>



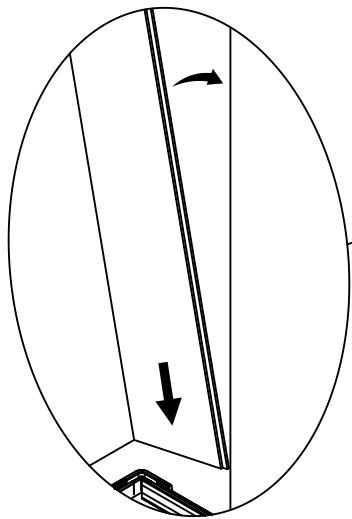
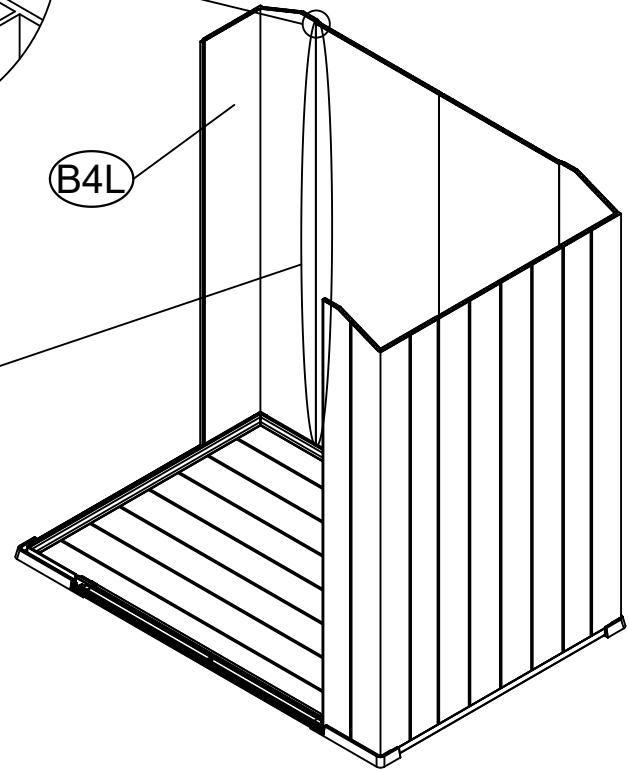
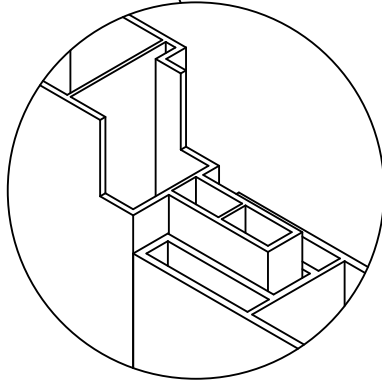
After installation here, the top is uneven

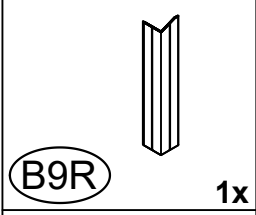
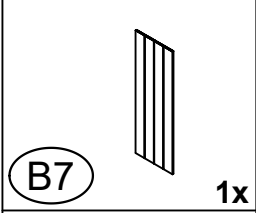


<7>

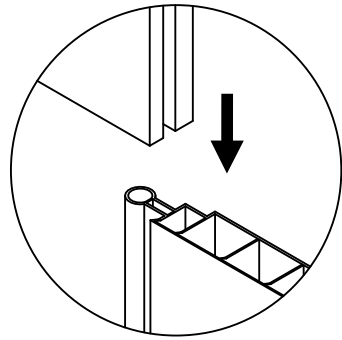


After installation here, the top is uneven

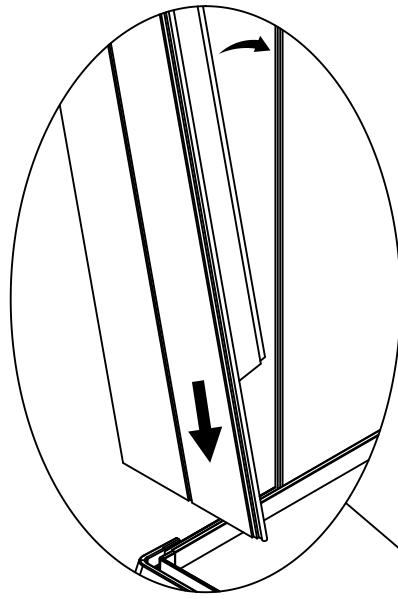
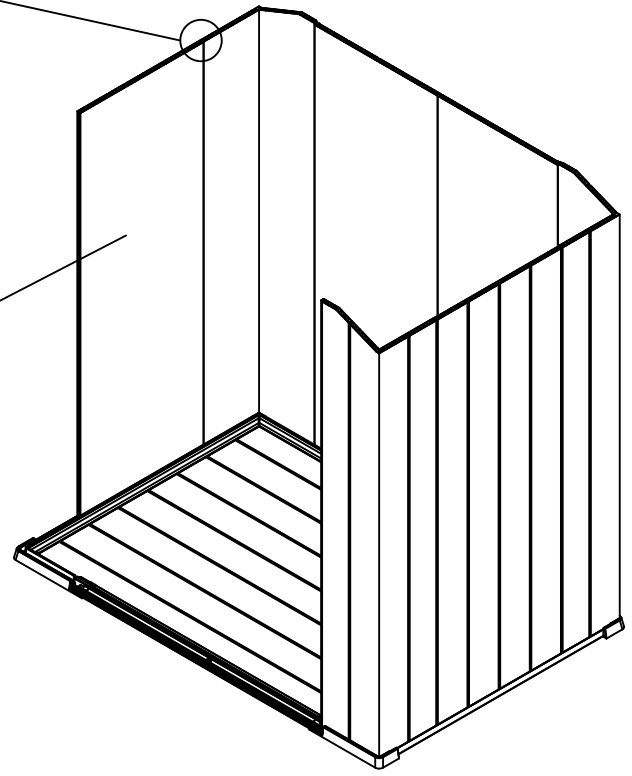




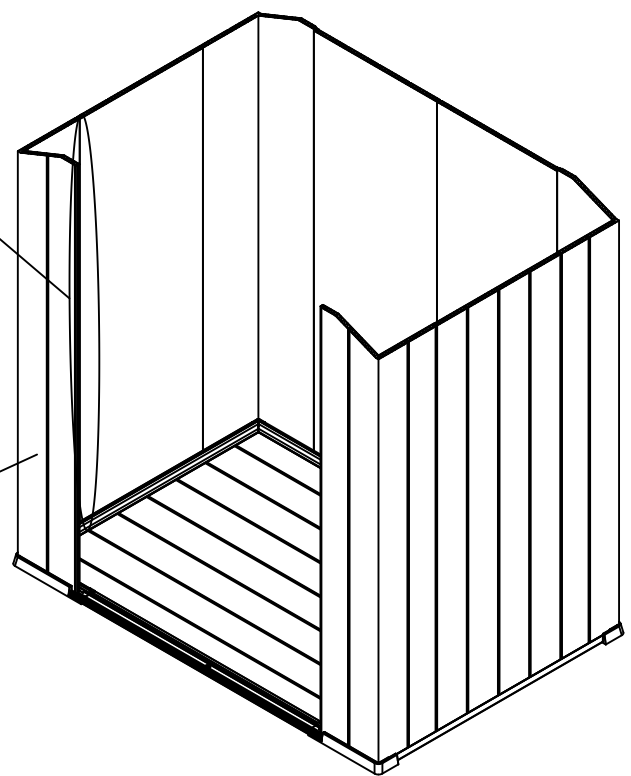
<8>



B7



B9R



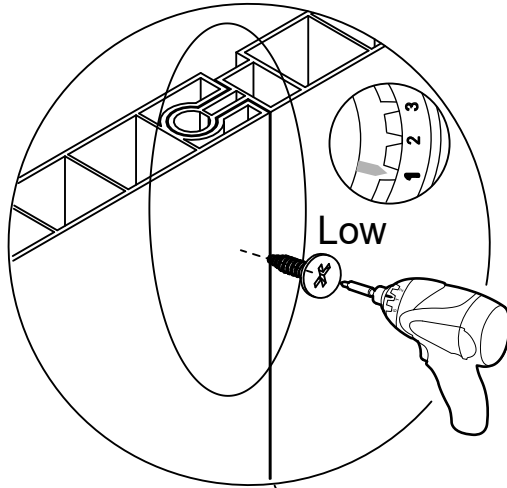


ST3.8x12

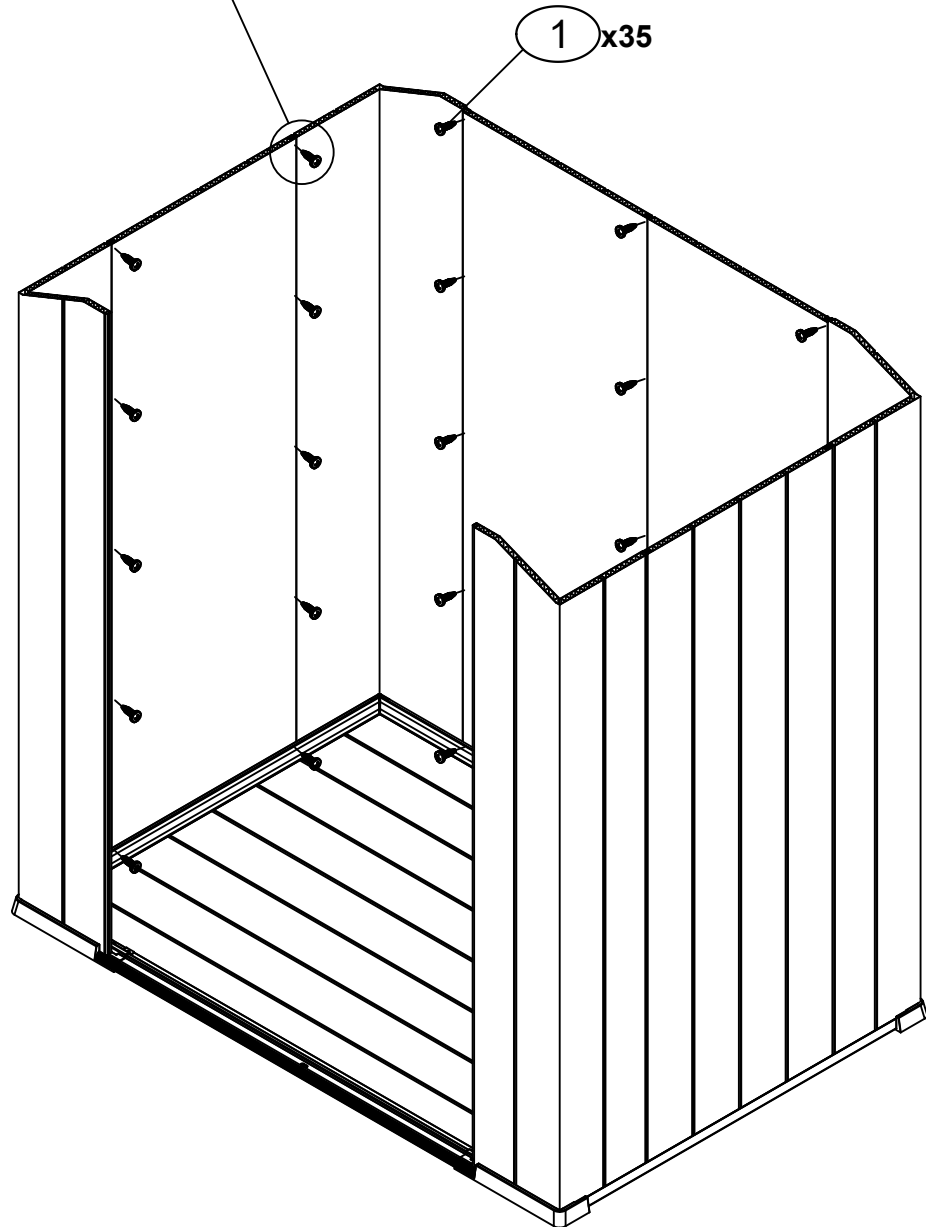
1

35x

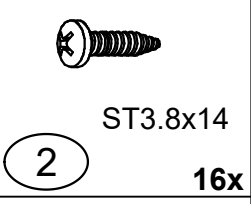
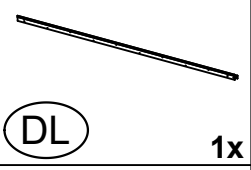
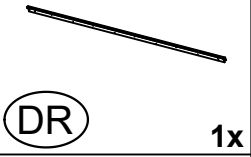
<9>



The screw is screwed in at the junction of the board

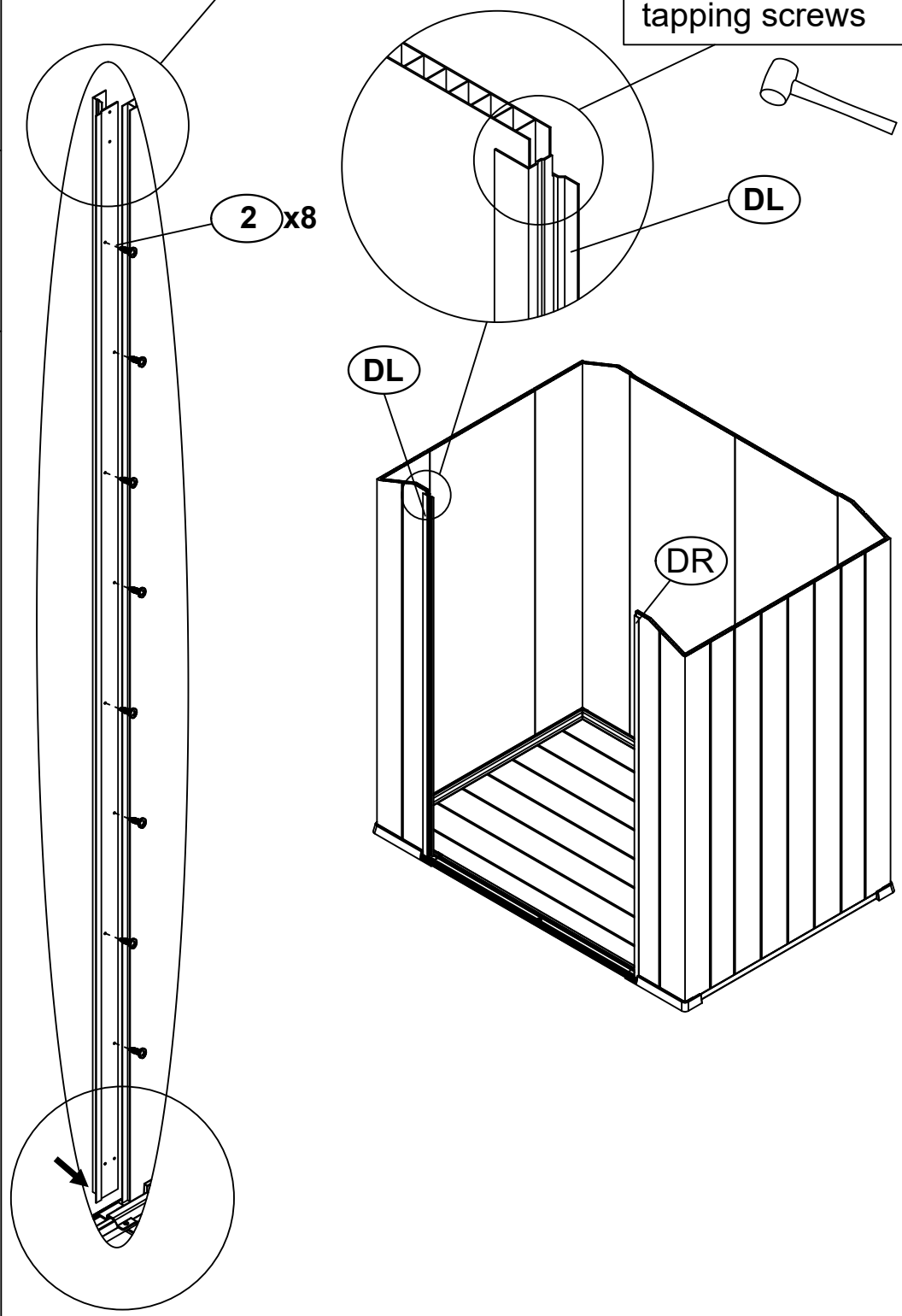


<10>

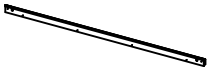

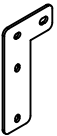




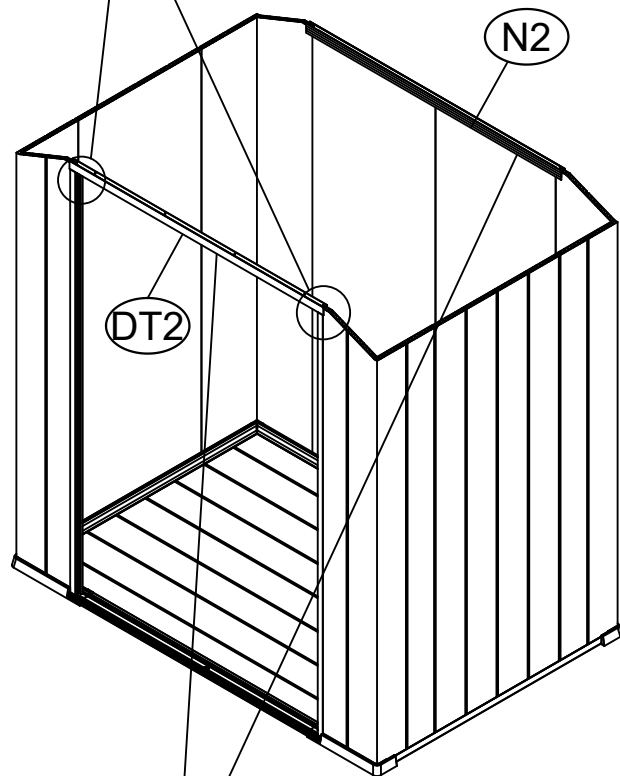
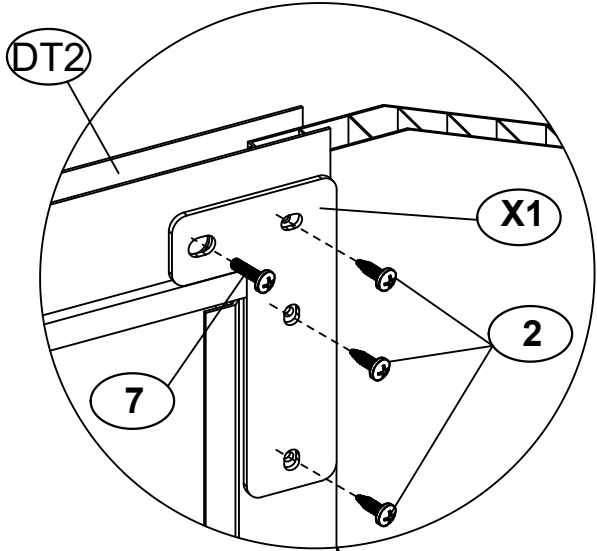
Do not screw the screw into the top hole first

Ensure proper installation before screwing in the self tapping screws



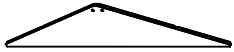
<11>

- 
(DT2) 1x
- 
(N2) 1x
- 
(X1) 2x
- 
ST3.8x14
(2) 6x
- 
M6x15
(7) 2x



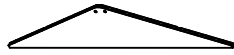
#DT2# and #N2# should be placed in the center as much as possible

<12>



B10A

1x



B10B

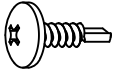
1x



ST3.8x14

2

8x

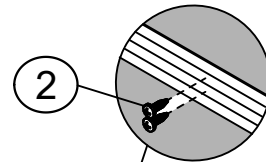


ST4.2x16

5

4x

Try to place it in the center
as much as possible



2

B10A

B10B

2

DT2

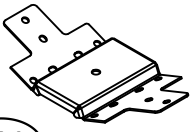
5

<13>



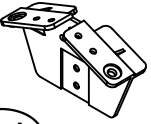
P4

2x



X4

1x



SJ

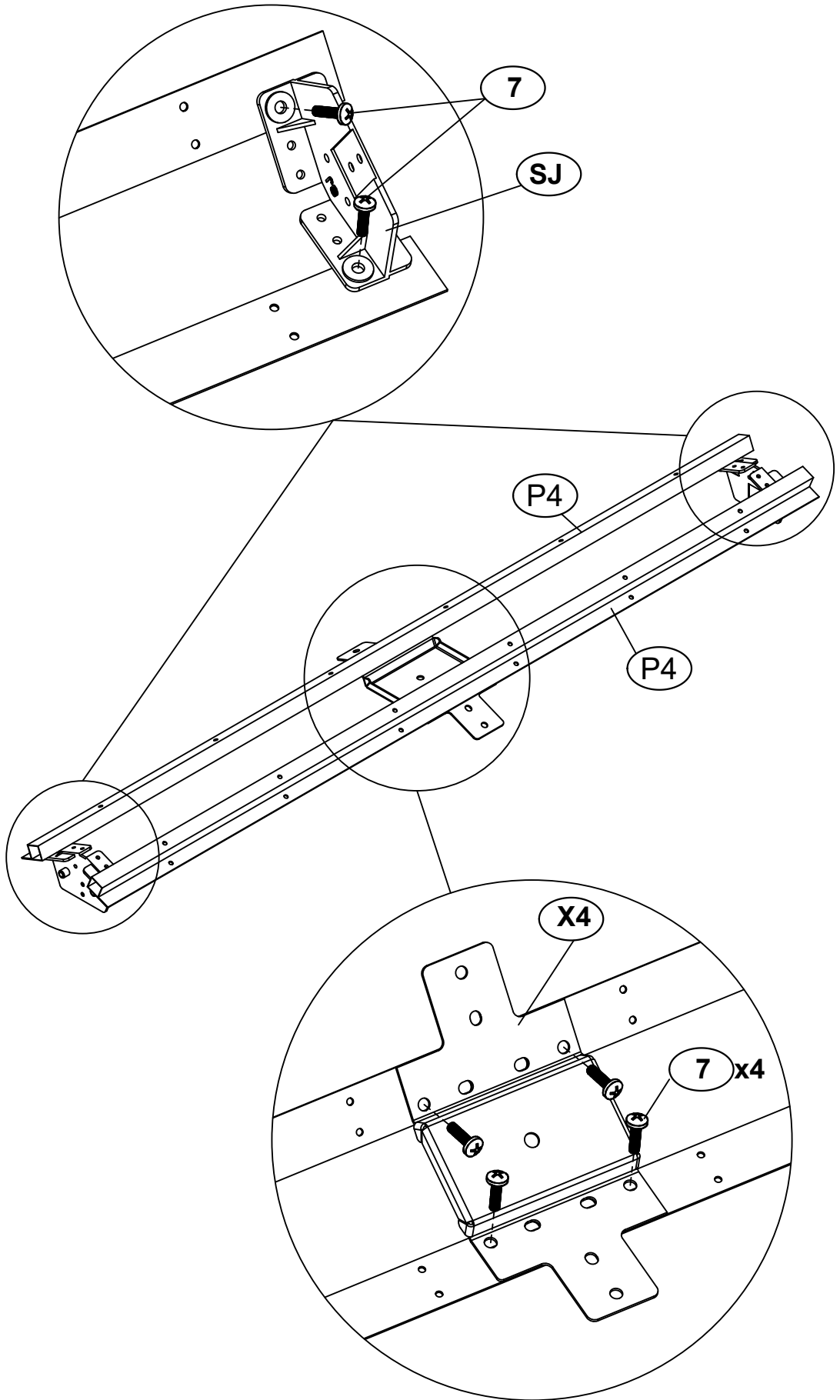
2x



M6x15

7

8x





ST3.8x14

2

6x



13

1x



9

M6

1x



11

M6

1x

<14>

11

3

9

1

SJ

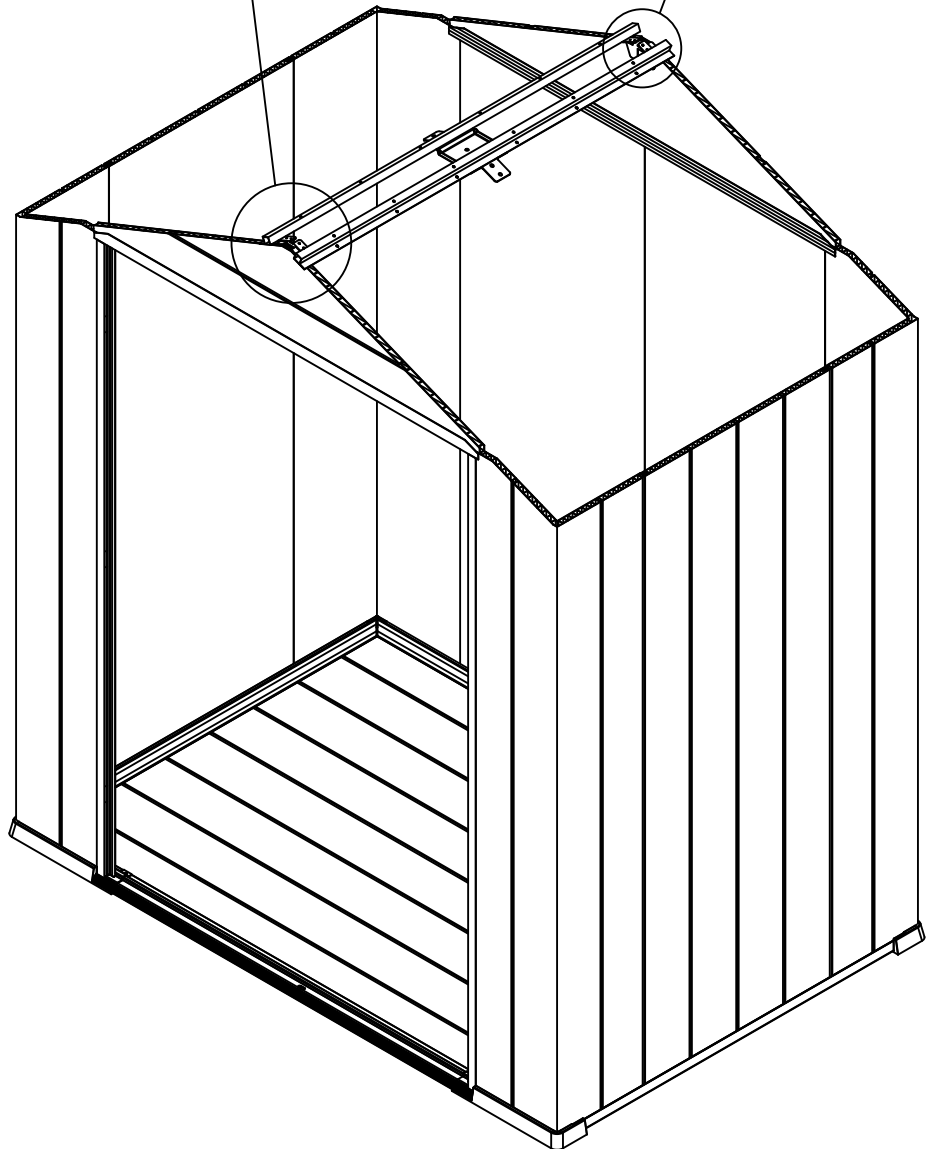
13

2

SJ

2 x4

2 x2



<15>



(H1) 2x

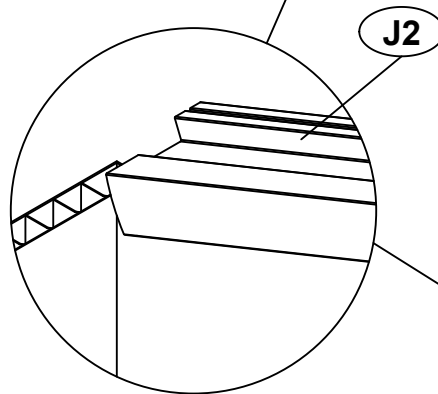
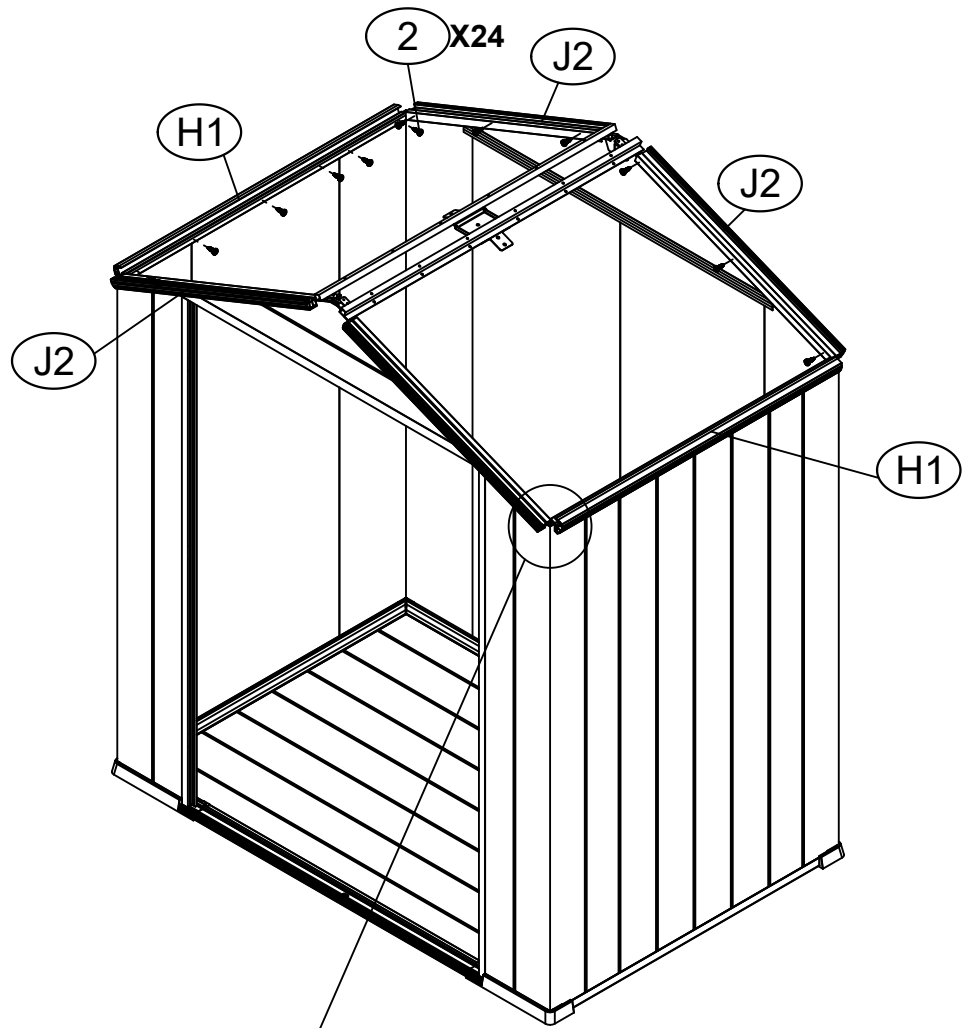


(J2) 4x

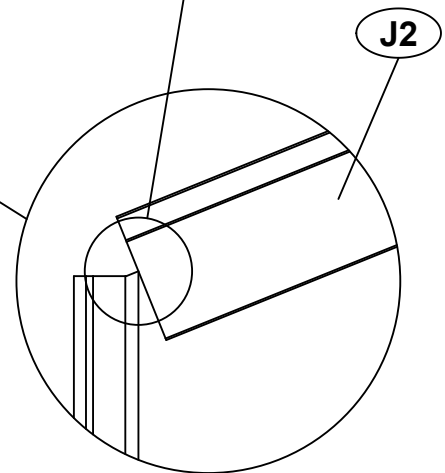


ST3.8x14

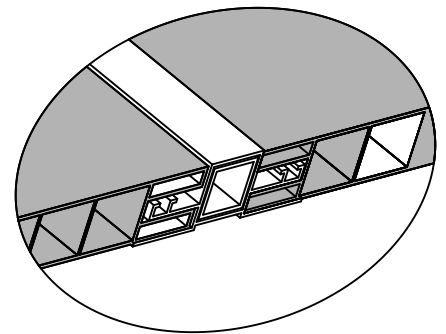
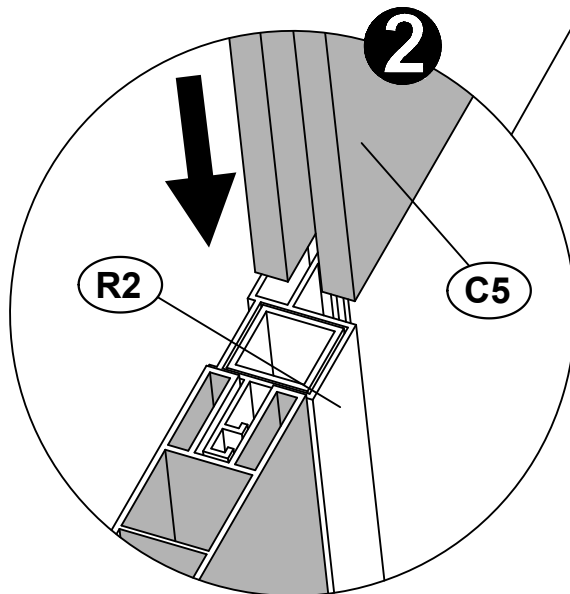
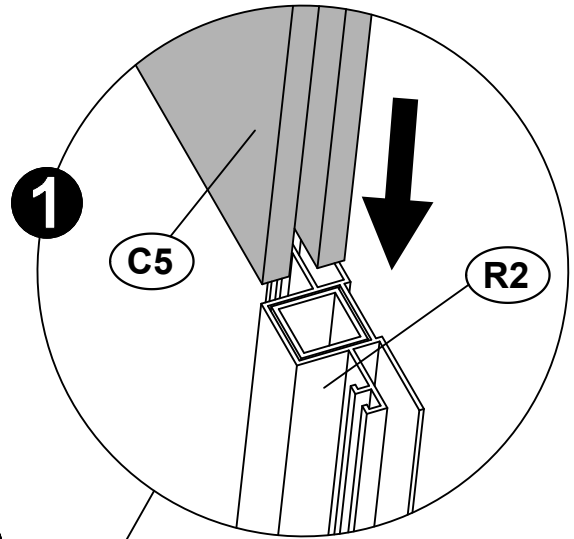
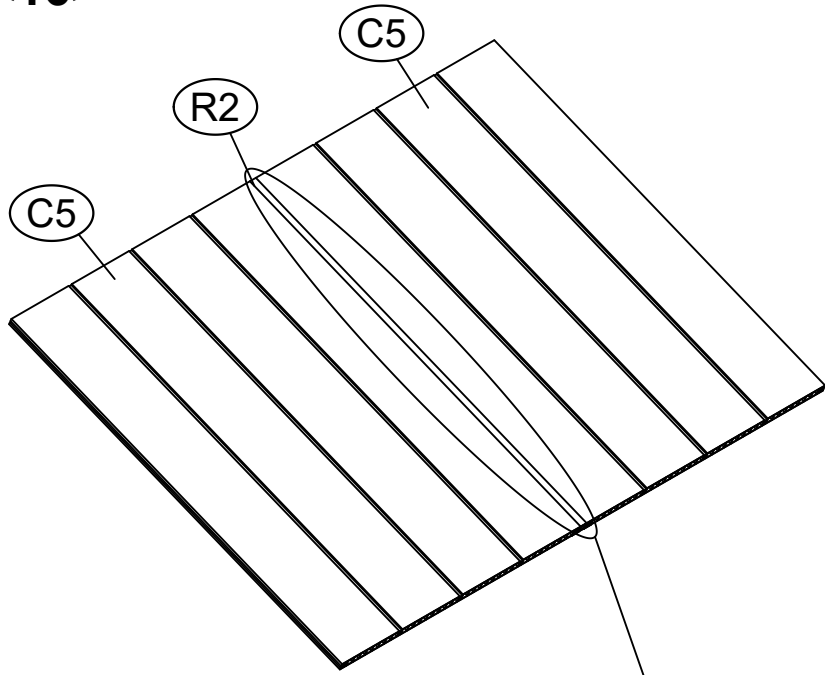
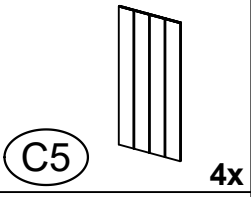
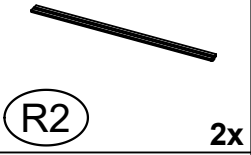
(2) 24x



#J2# is placed tightly against the bottom edge



<16>

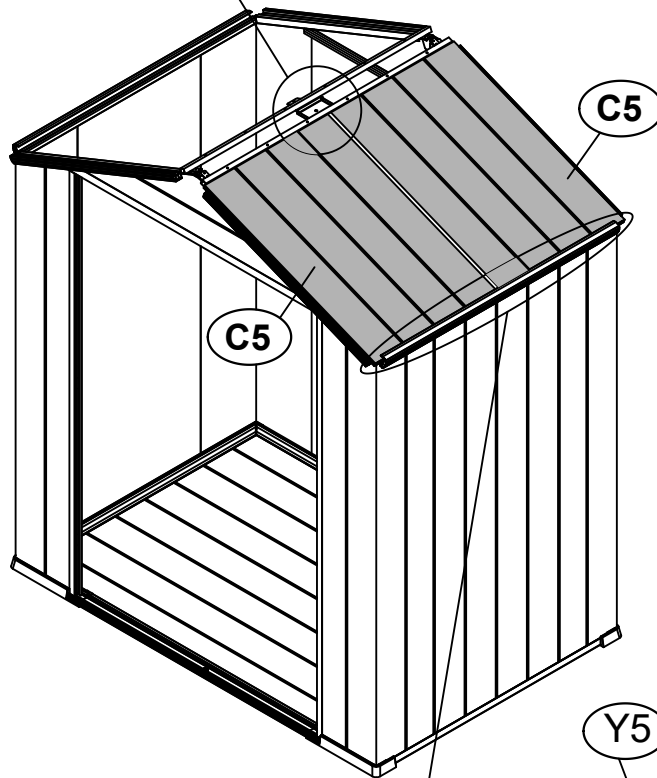
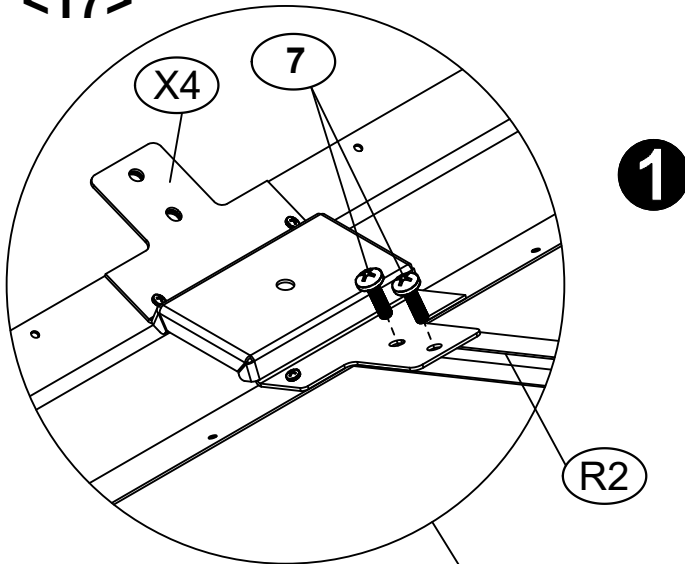




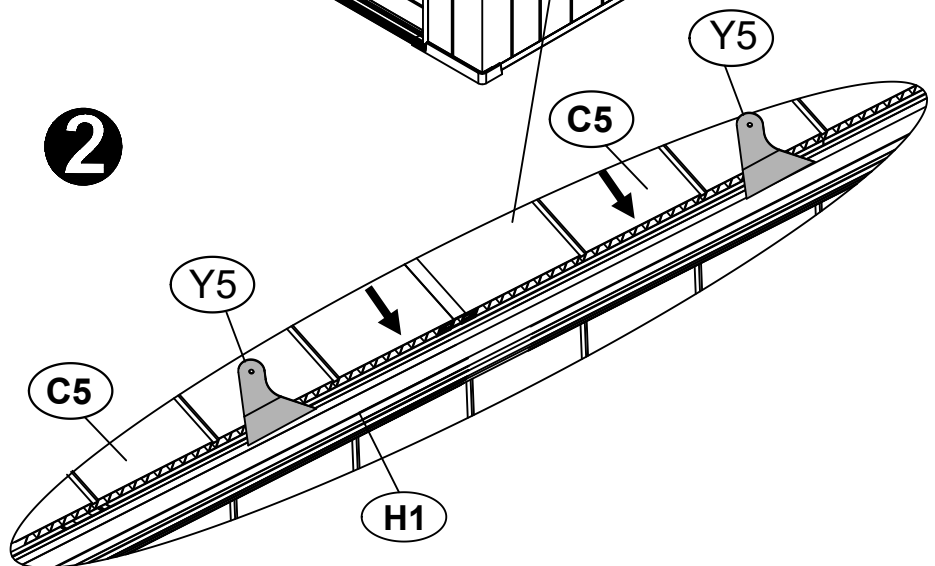
M6x15
2x

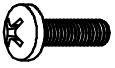
7

<17>



2

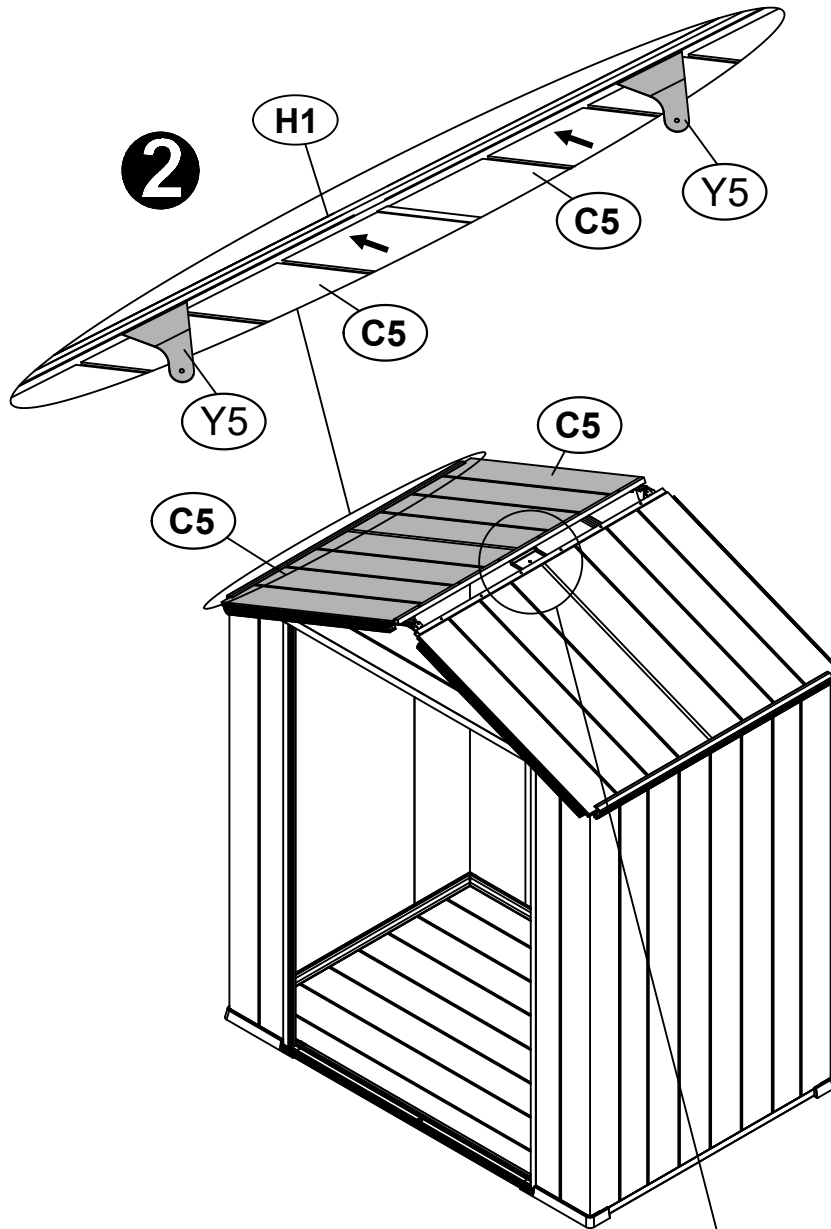




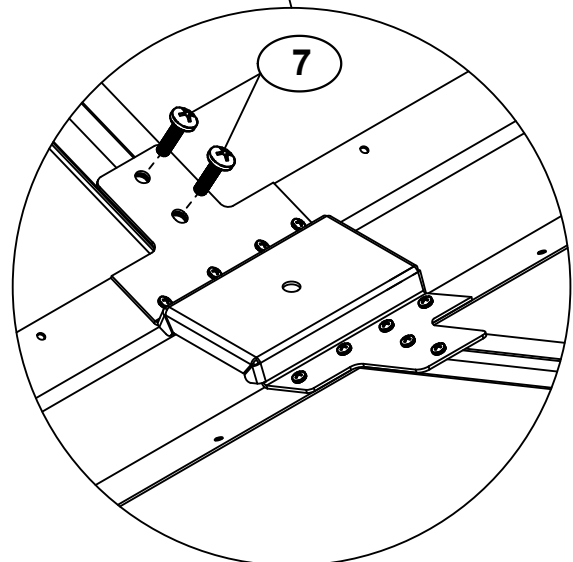
M6x15
2x

7

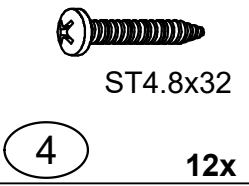
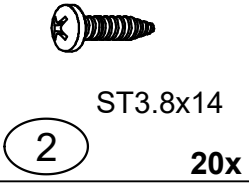
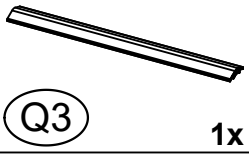
<18>



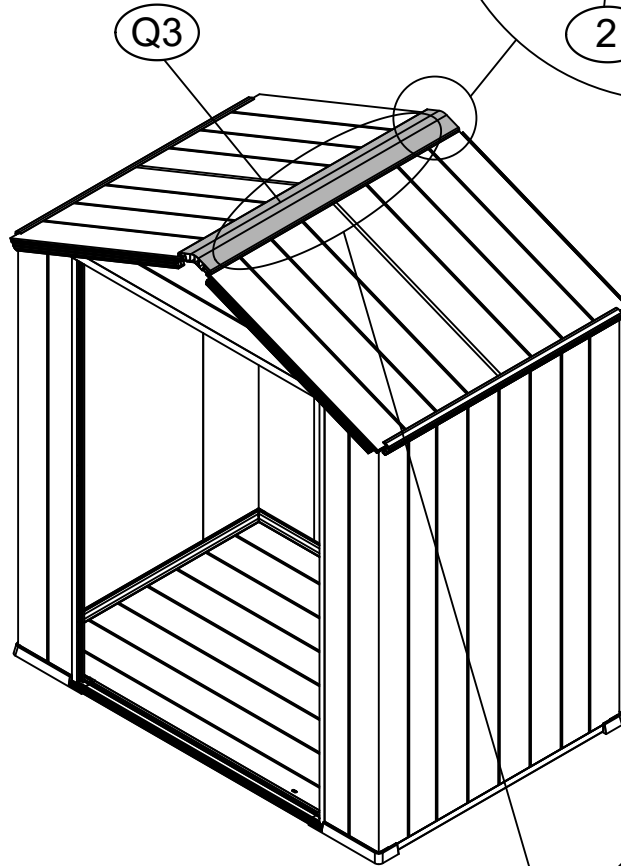
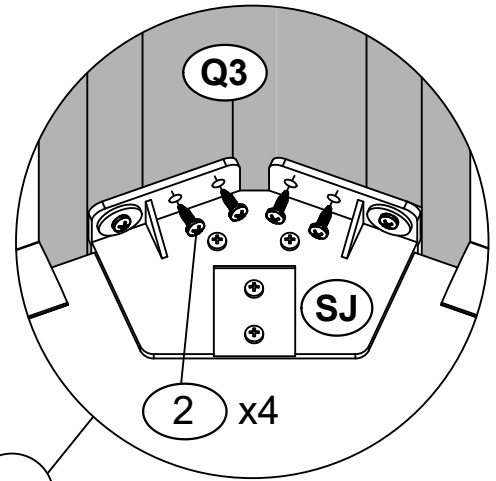
1



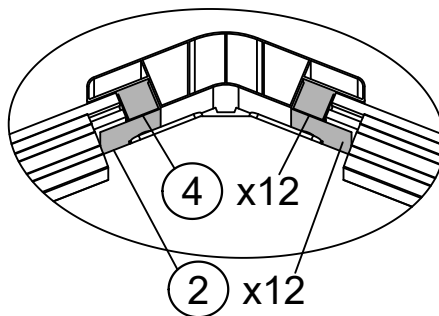
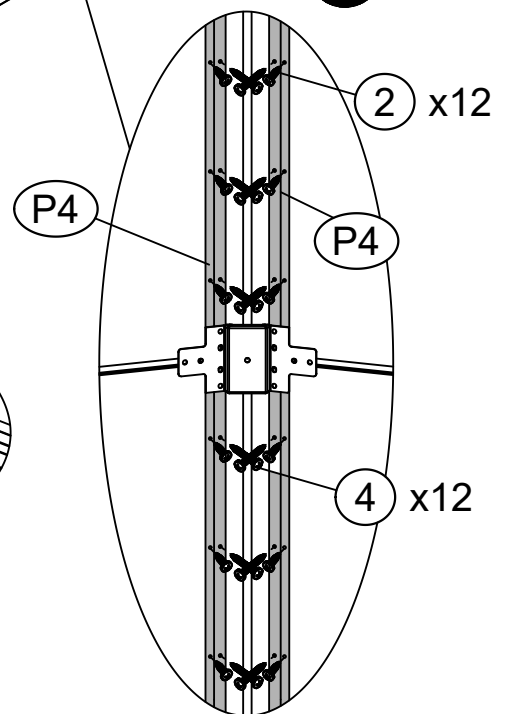
<19>



1



2





K2

4x

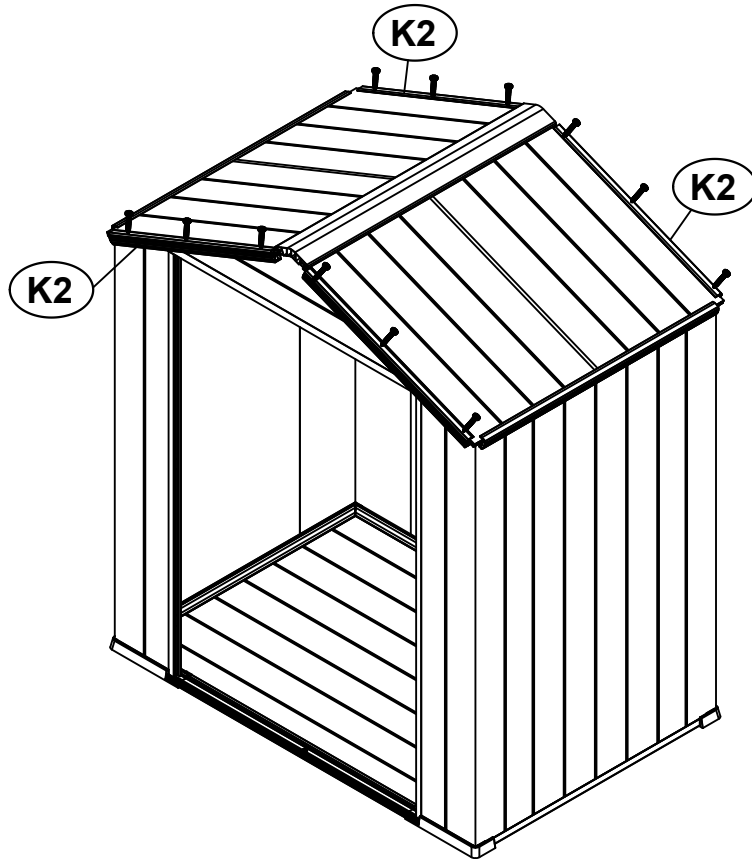
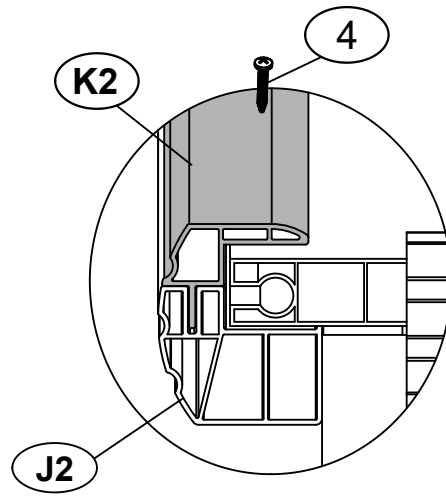


ST4.8x32

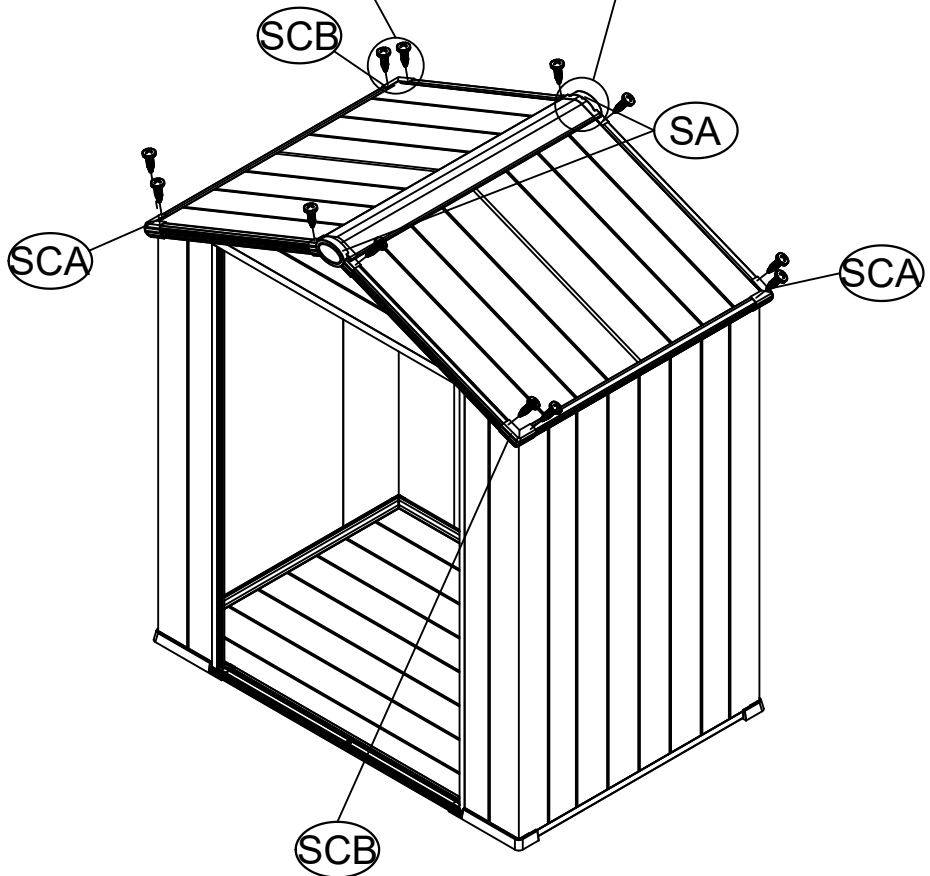
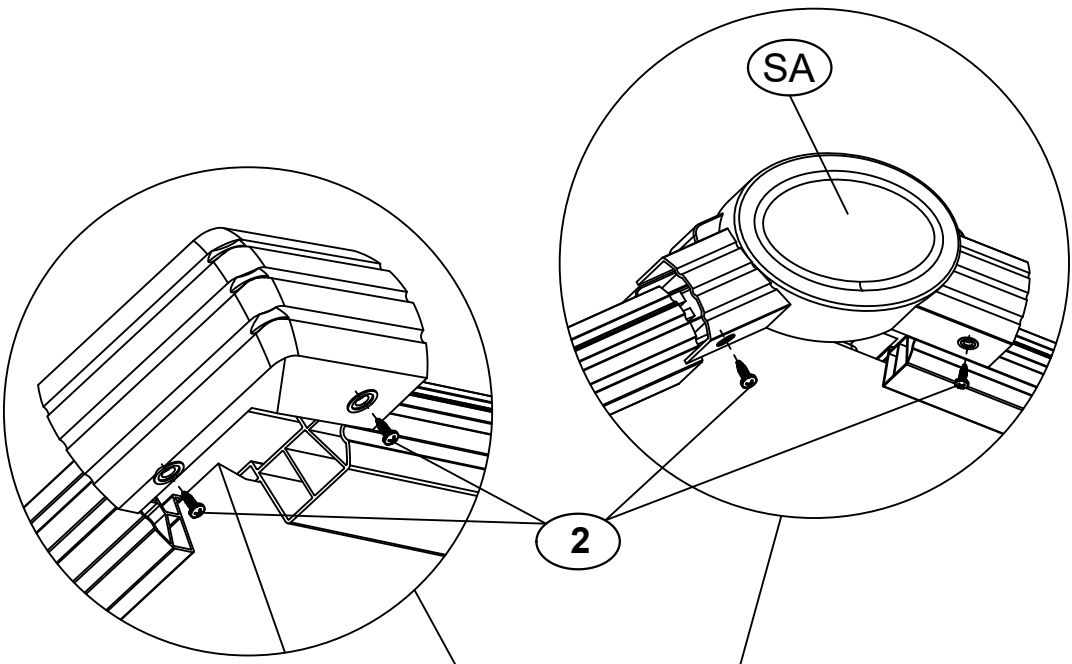
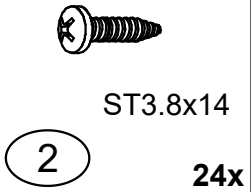
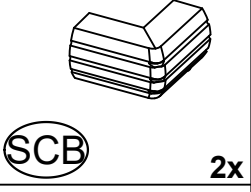
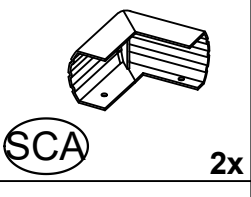
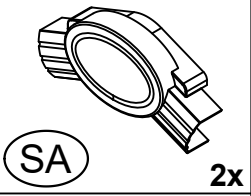
4

12x


<20>

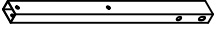


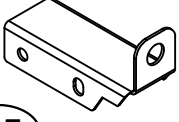
<21>





<22>


- 

U1 1x
- 

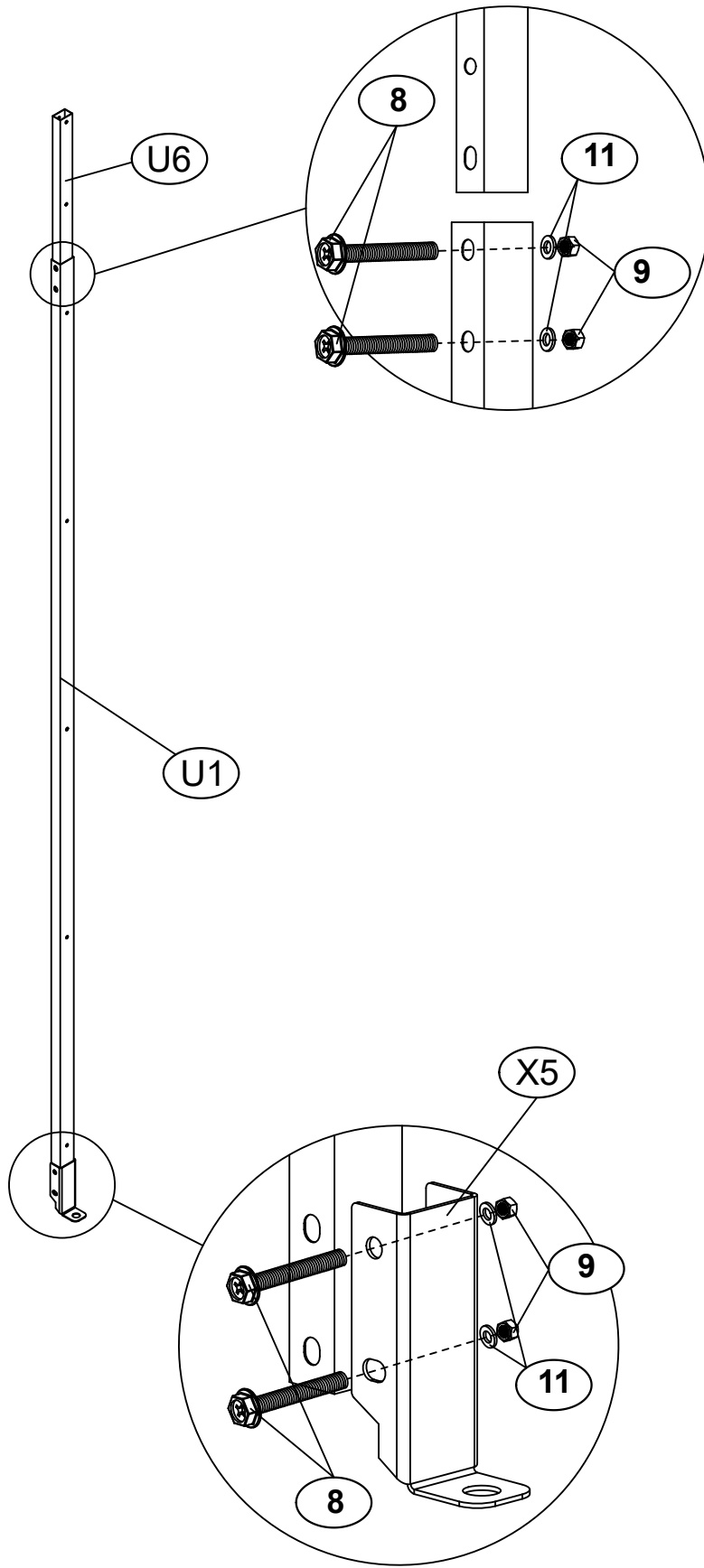
U6 1x
- 

X5 1x
- 

8 M6x40 4x
- 

9 M6 4x
- 

11 M6 4x



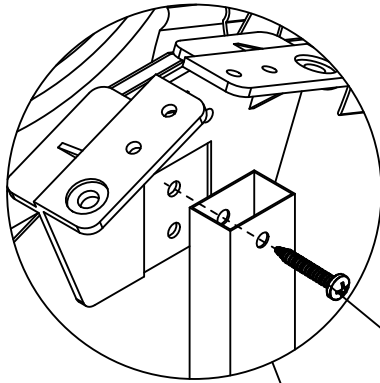


ST4.8x32

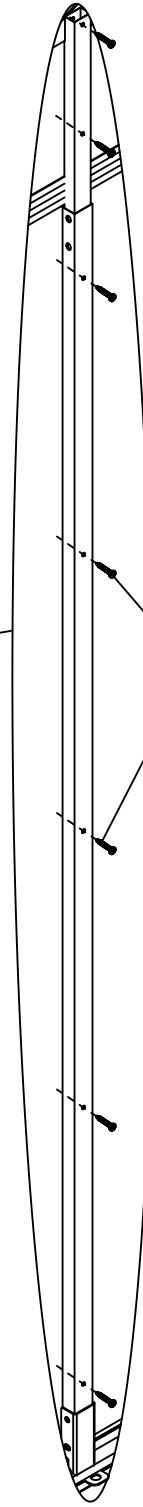
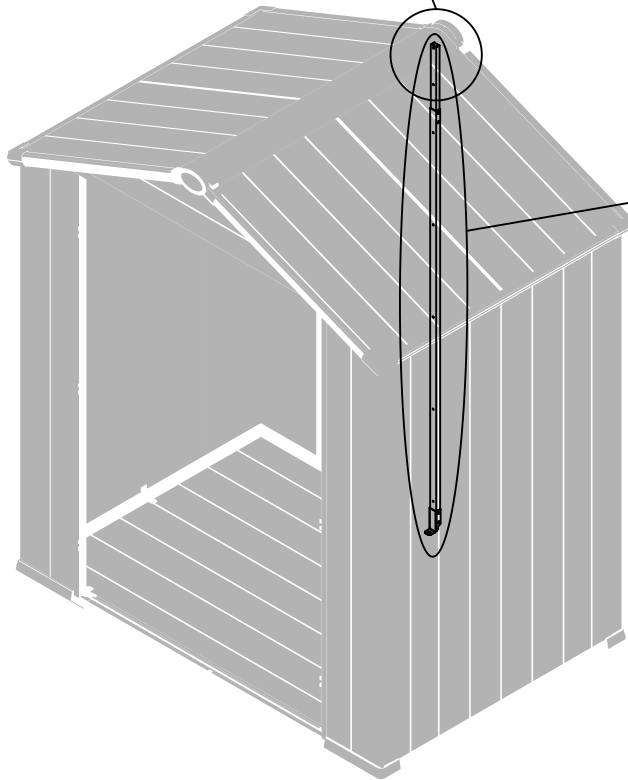
4

7x

<23>

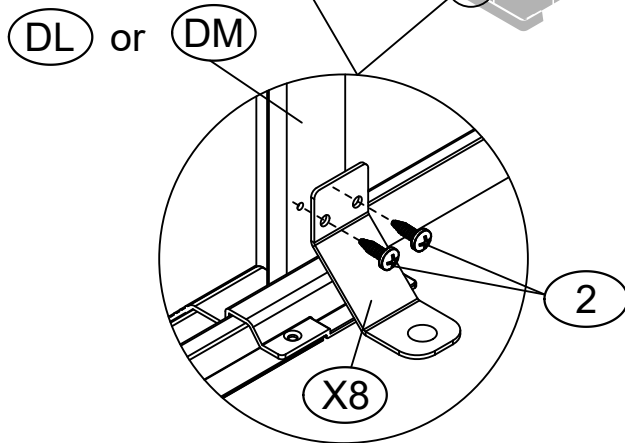
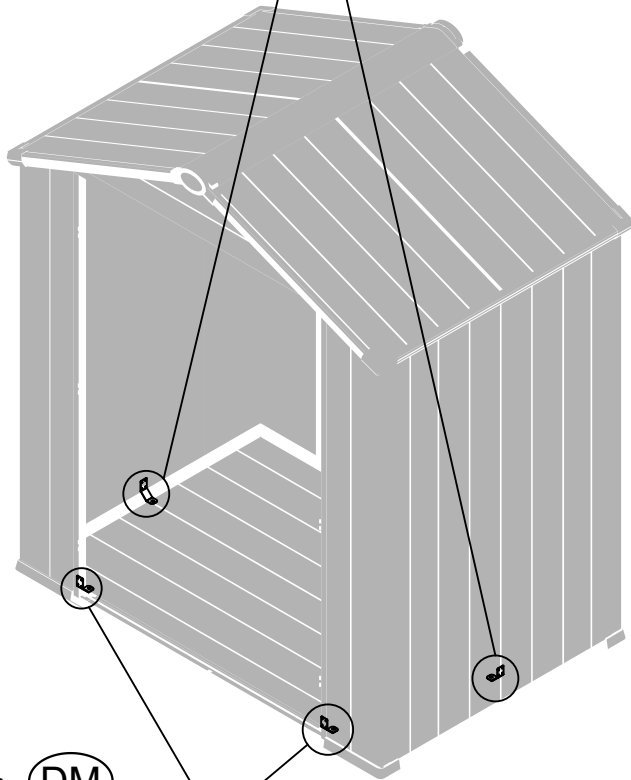
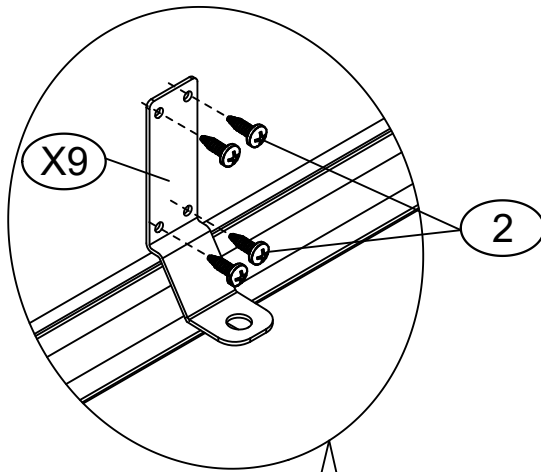
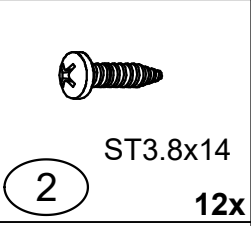
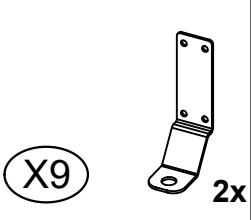
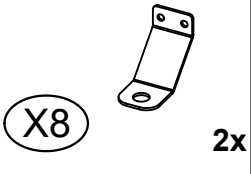


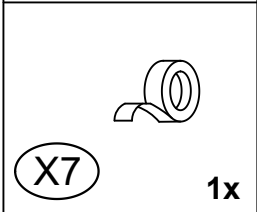
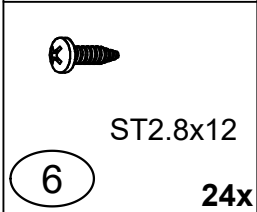
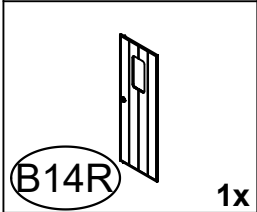
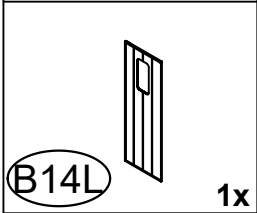
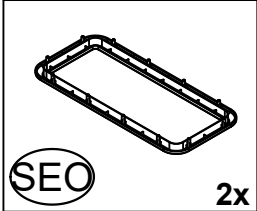
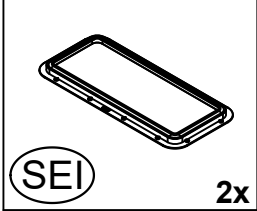
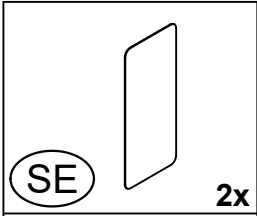
4



4

<24>

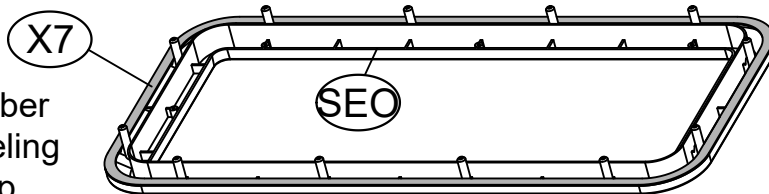




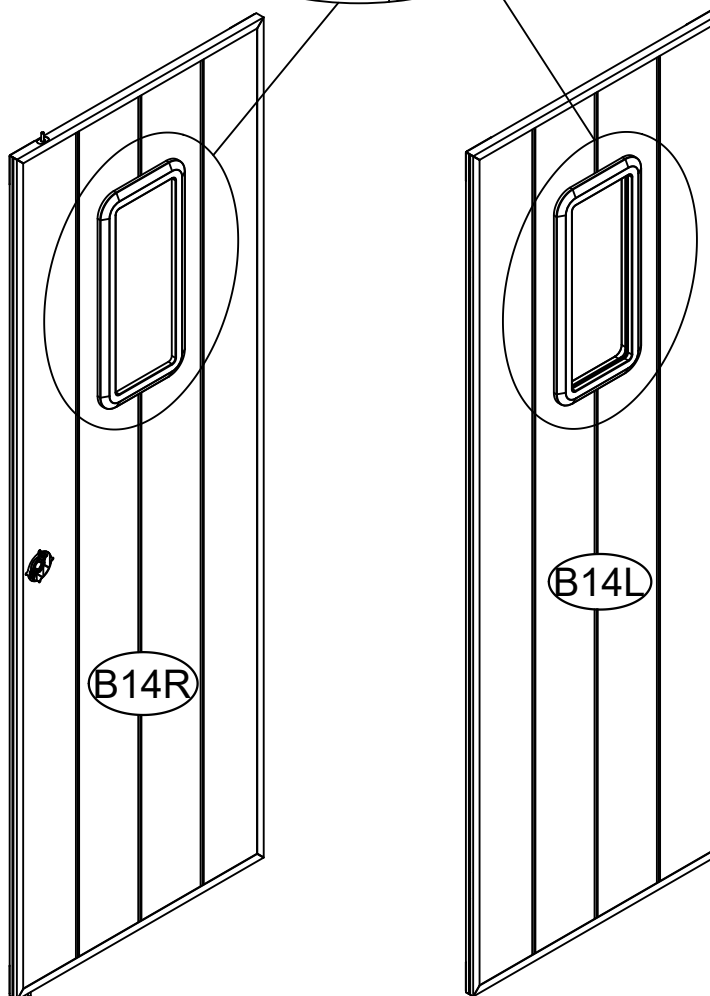
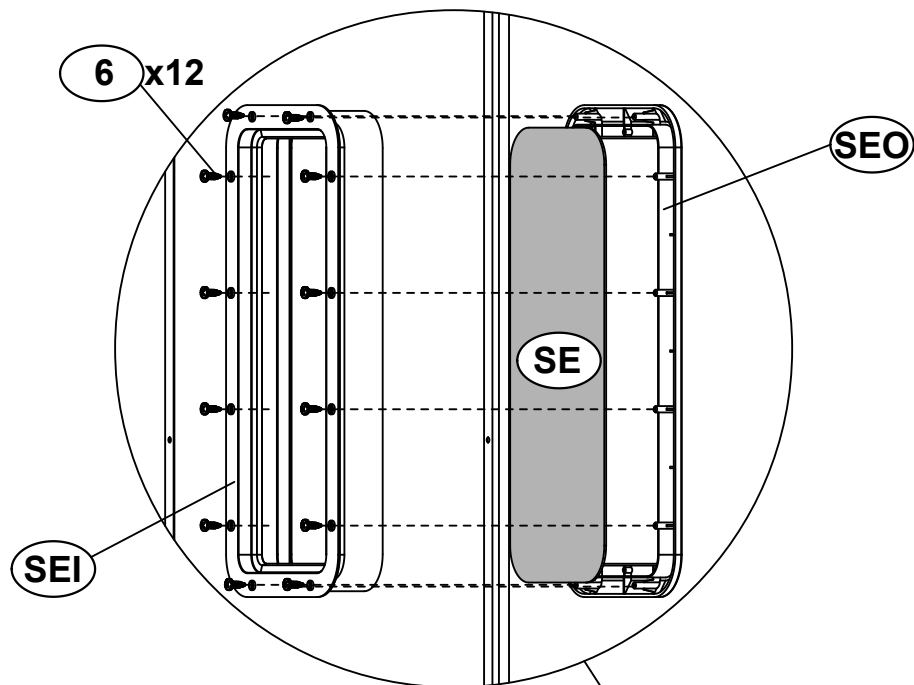
<25>



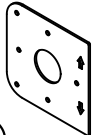
1

rubber
sealing
strip

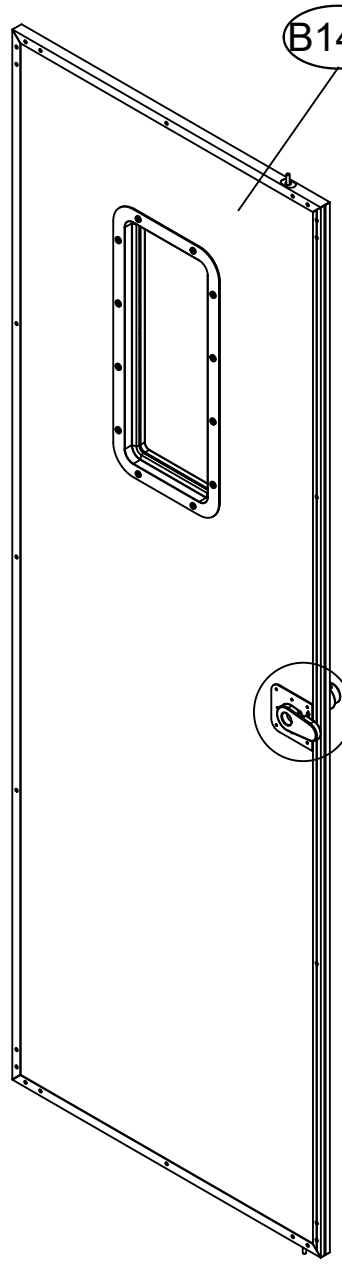
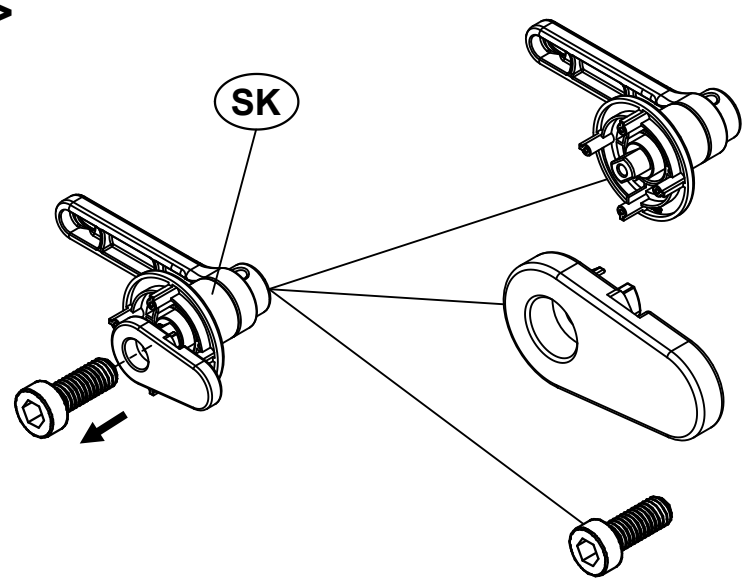


2

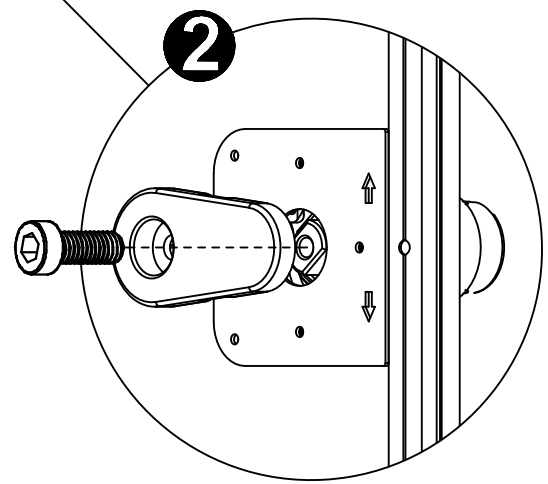
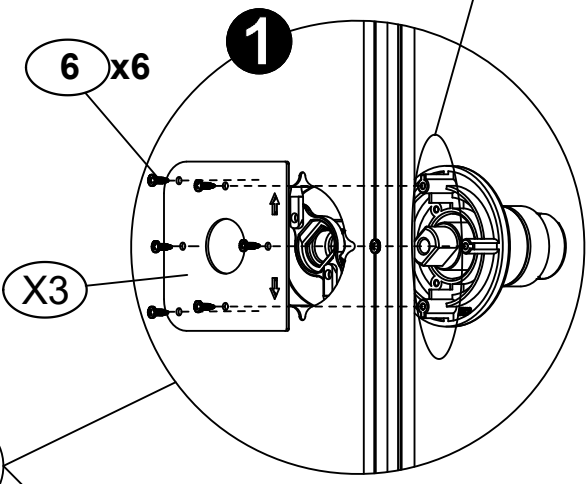


-  (SK) 1x
-  ST2.8x12 (6) 6x
-  (X3) 1x

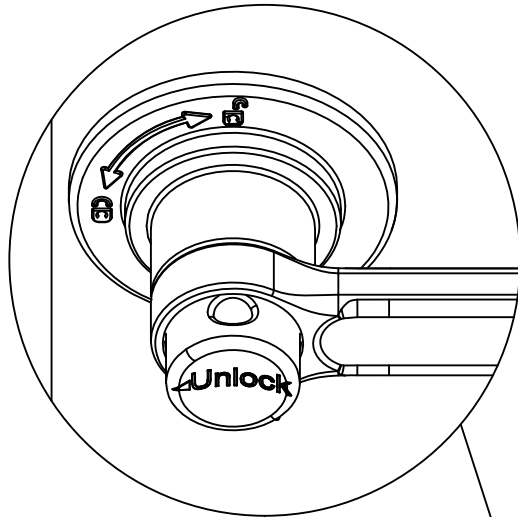
<26>



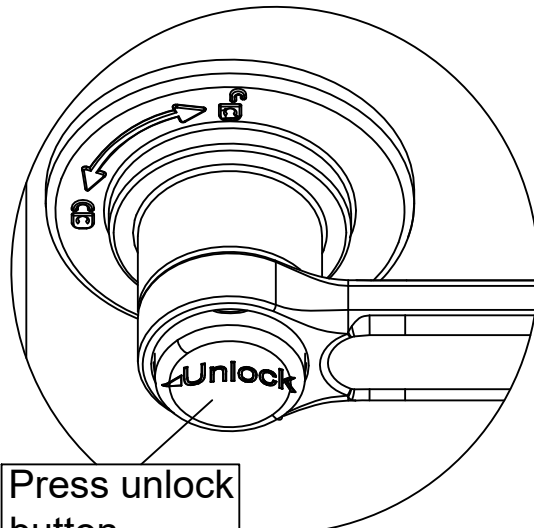
The direction of the raised steps during installation is located above and below



<27>

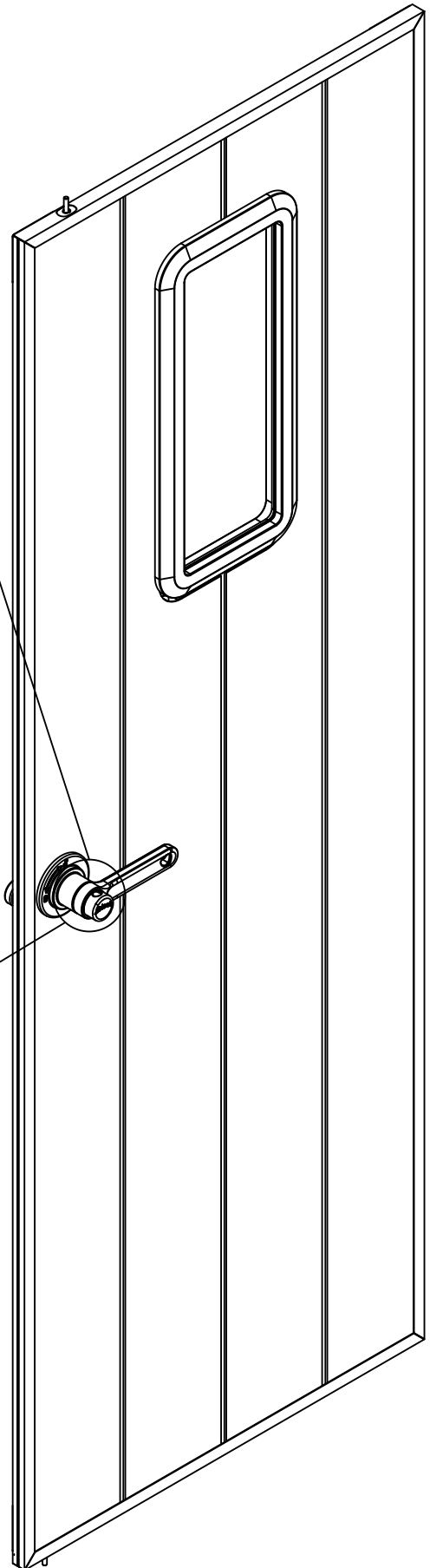


When the door lock button is in this state, the door handle is in the locked state and cannot be rotated



Press unlock button

When the door lock button is in this state, the door lock is unlocked and can be opened by pressing the doorknob

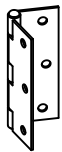




ST3.8x12

3

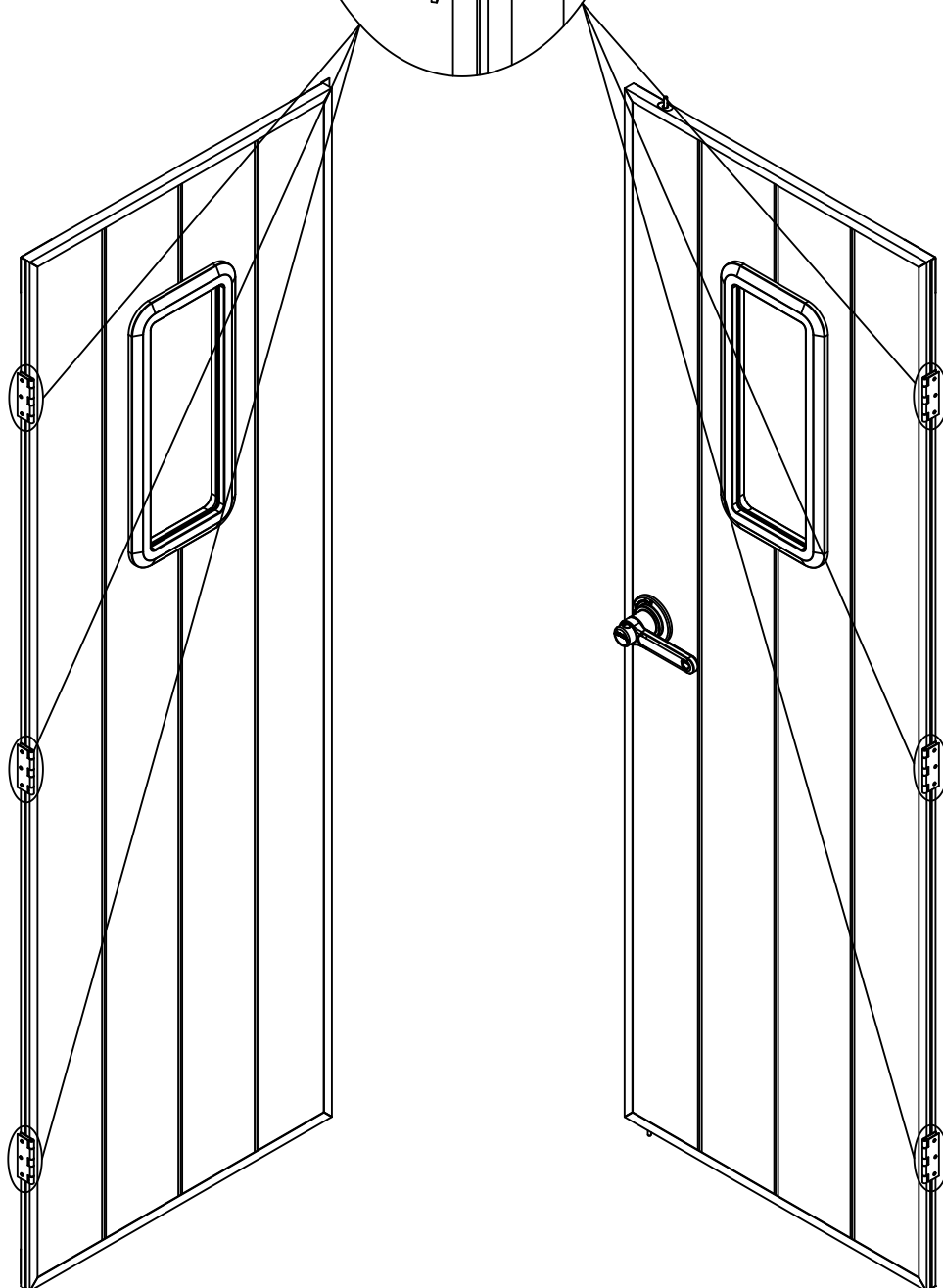
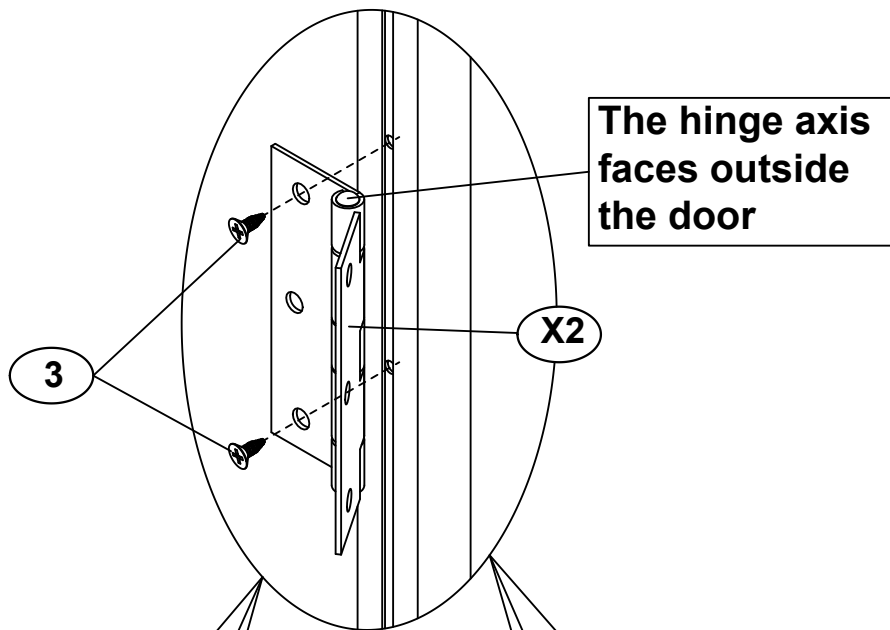
12x



X2

6x

<28>



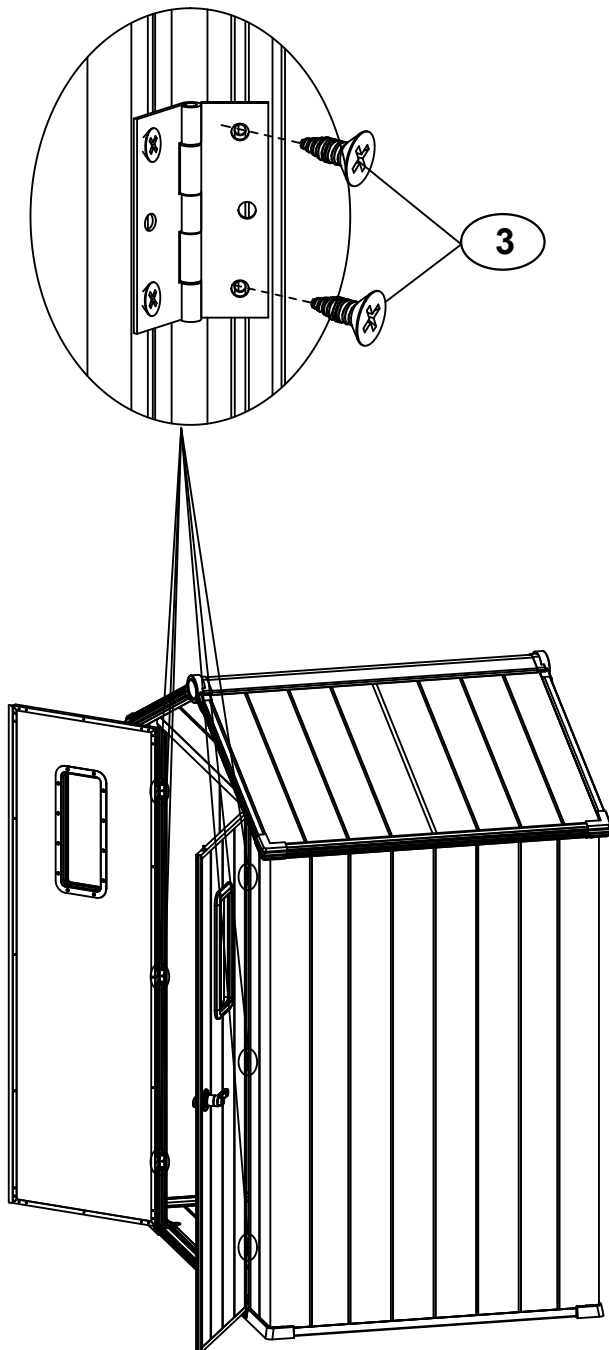


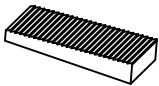
ST3.8x12

3

12x

<29>

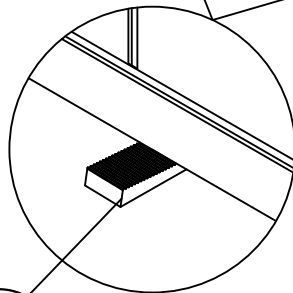
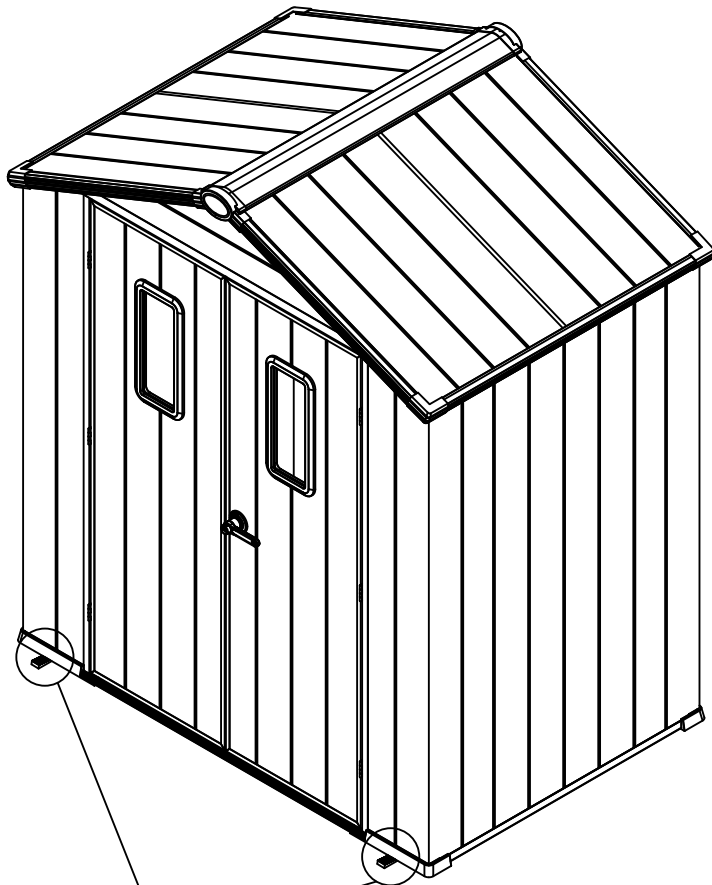




<30>

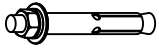
SP

2x



SP

If the assembled rear door frame is tilted, the #SP# part can be placed on the left or right side of the tool house as shown.



M8x80
5X

12

<31>

