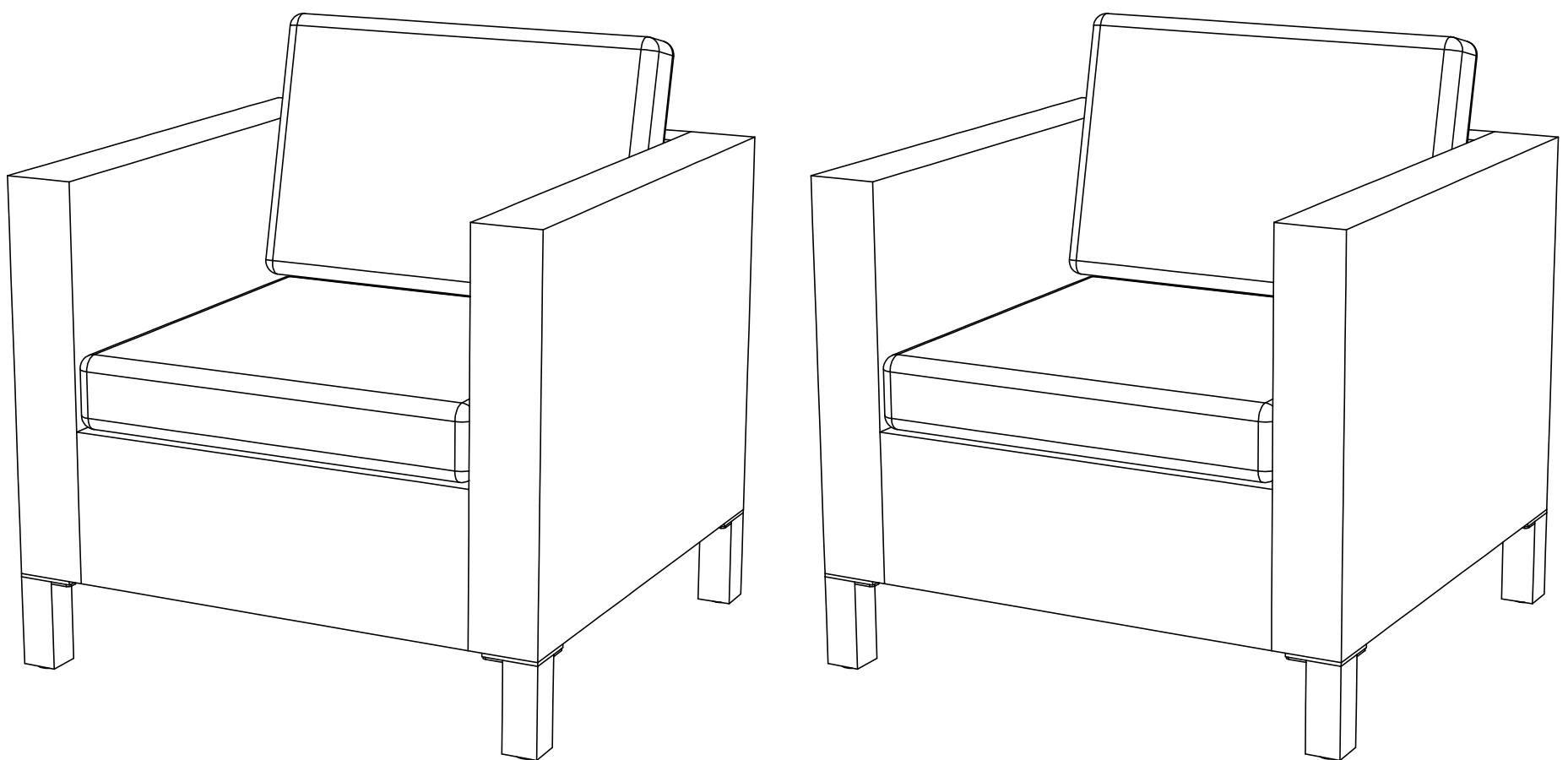


Item # LT 5802

Assembly Instructions

Outdoor Wicker Armchair x 2

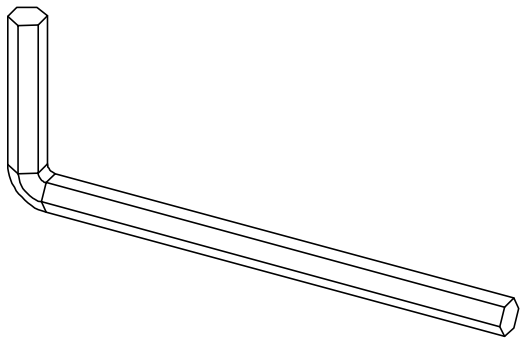


Questions, problems, missing parts? Before returning the product, call our customer service 9 a.m.-5 p.m., PST, Monday- Friday

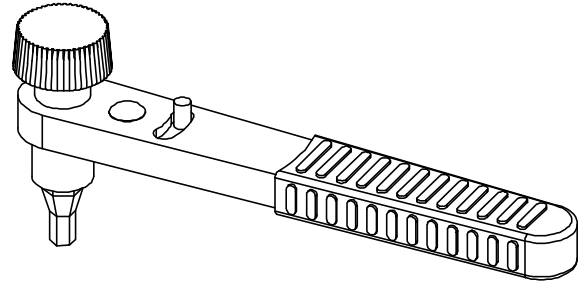
800-385-0608

or email us at aftersales@cye-way.com for assistance.

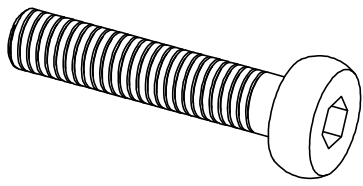
HARDWARE INCLUDED



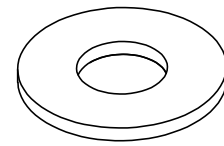
#1



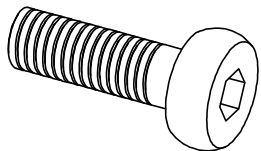
#2



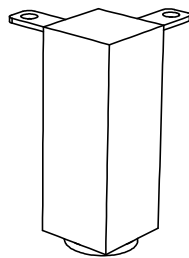
AA



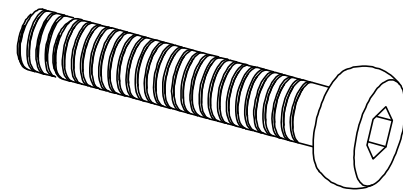
BB



CC



DD

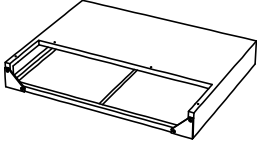
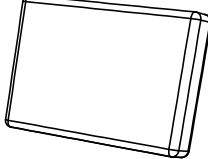
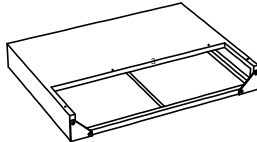
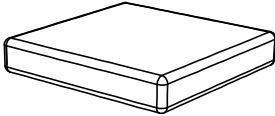
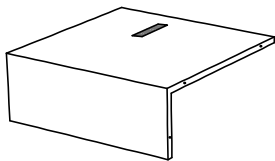
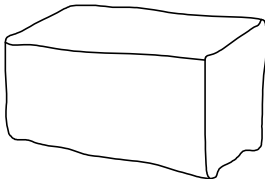
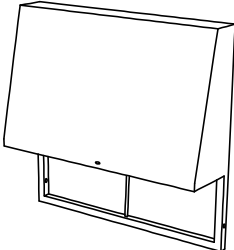


EE

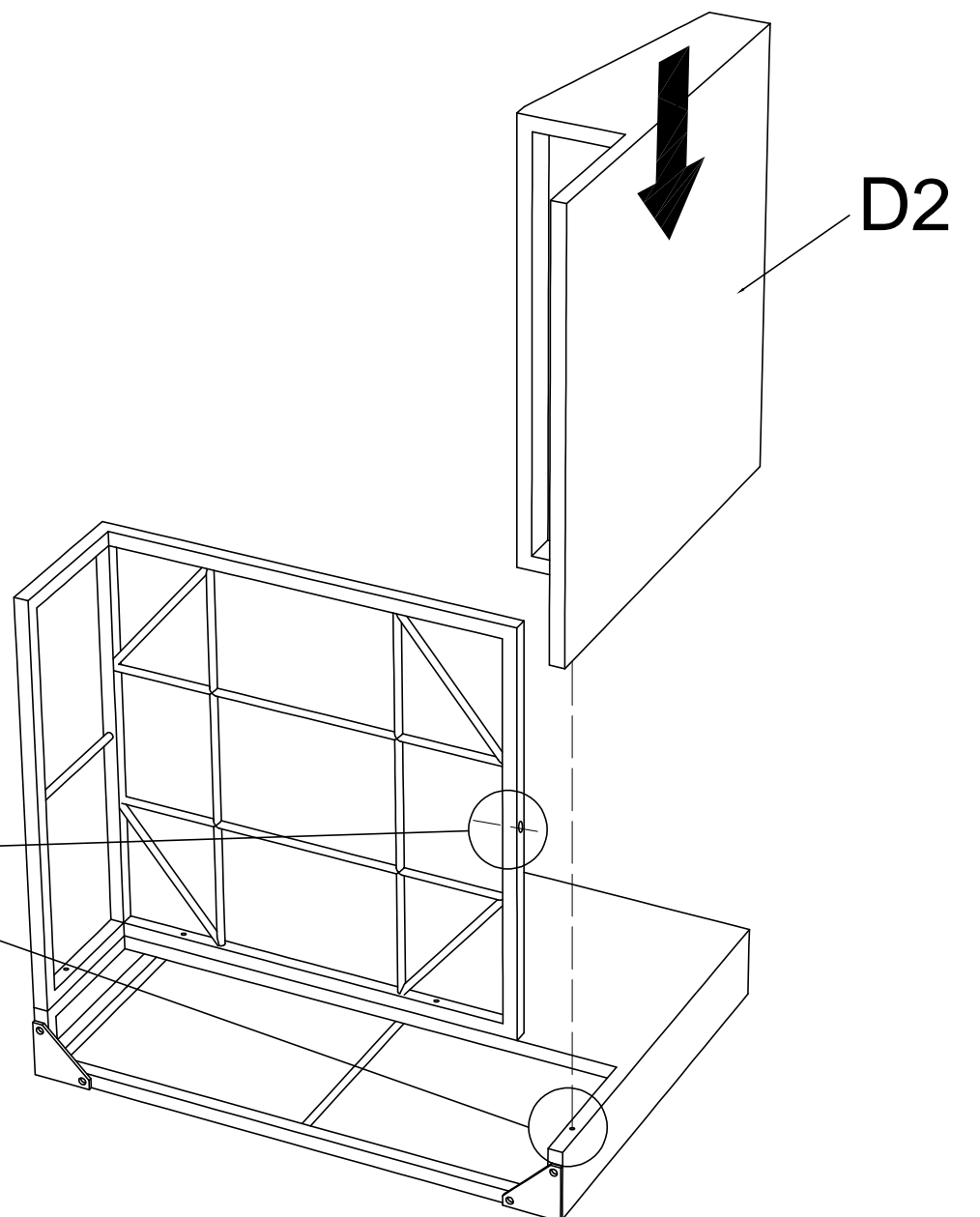
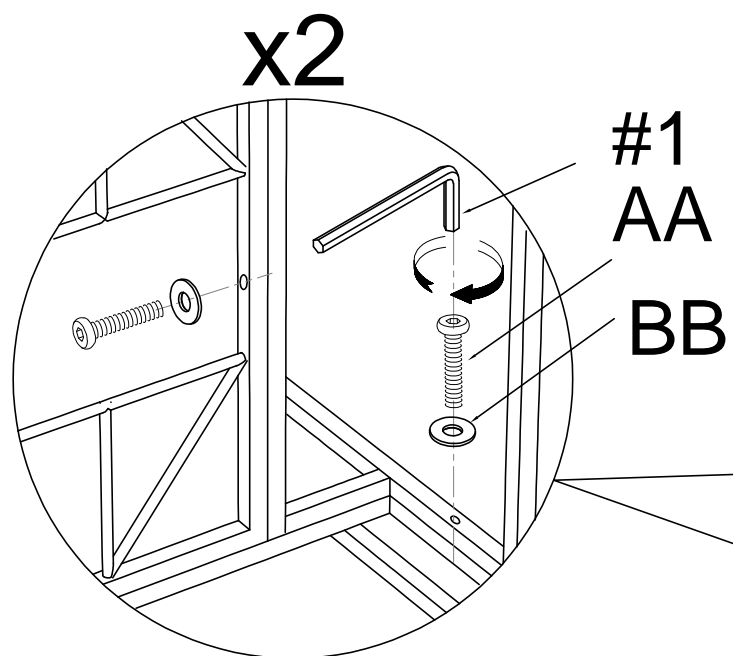
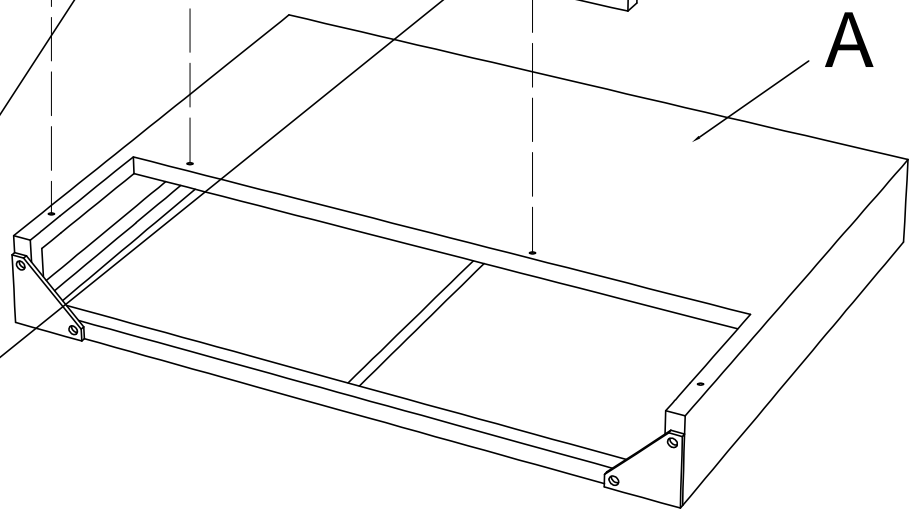
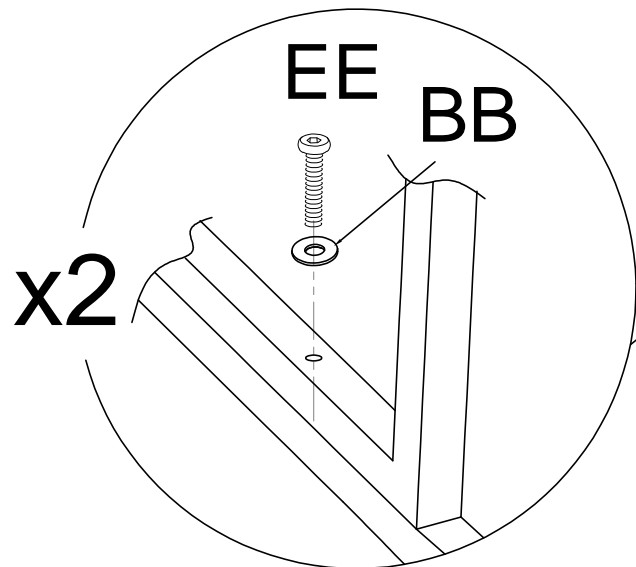
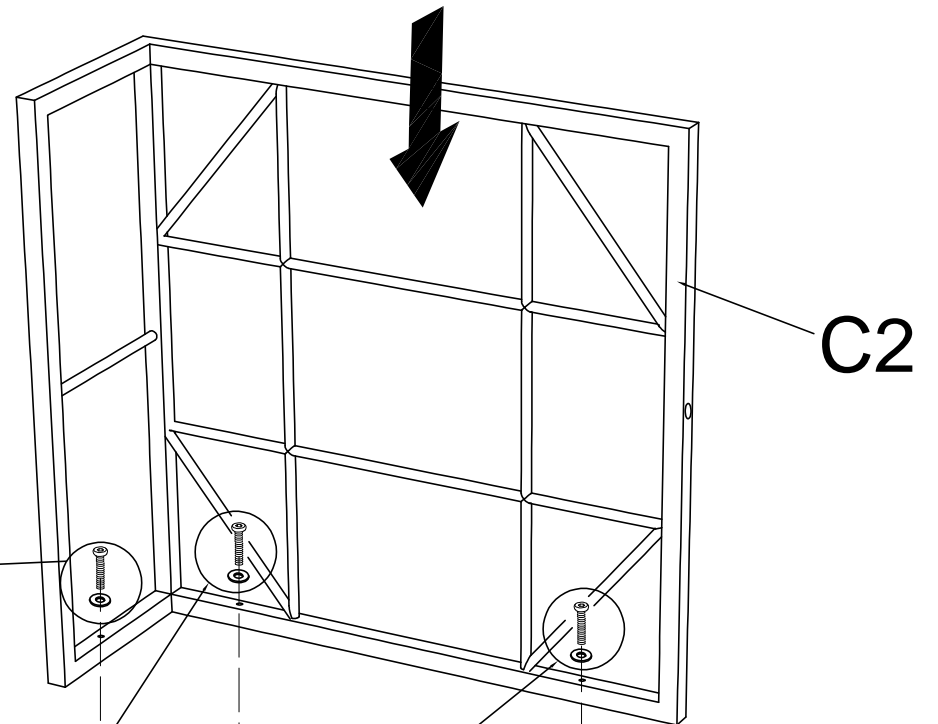
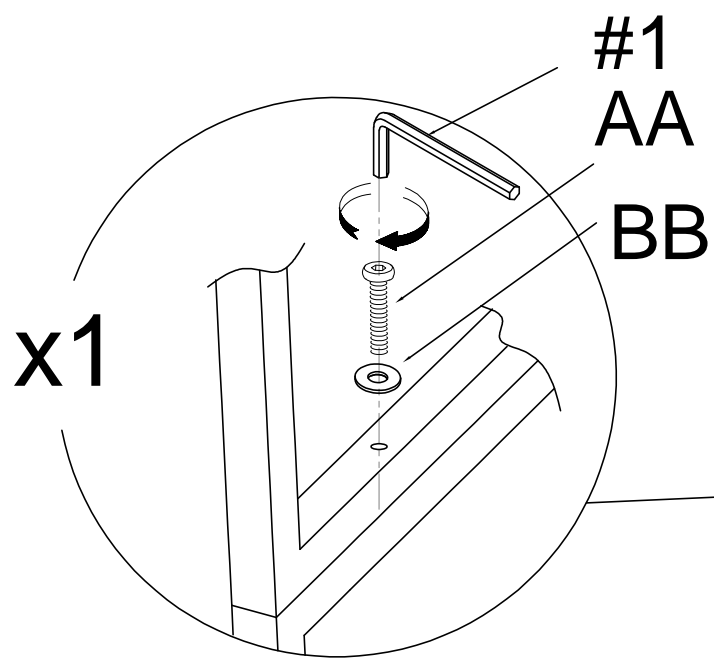
Part	Description	Quantity
#1	Allen Wrench	1
#2	Ratchet Wrench	1

Part	Description	Quantity
AA	M6*35 Bolt	12
BB	Washer	38
CC	M6*15 Bolt	16
DD	Leg	8
EE	M6*40 Bolt	10

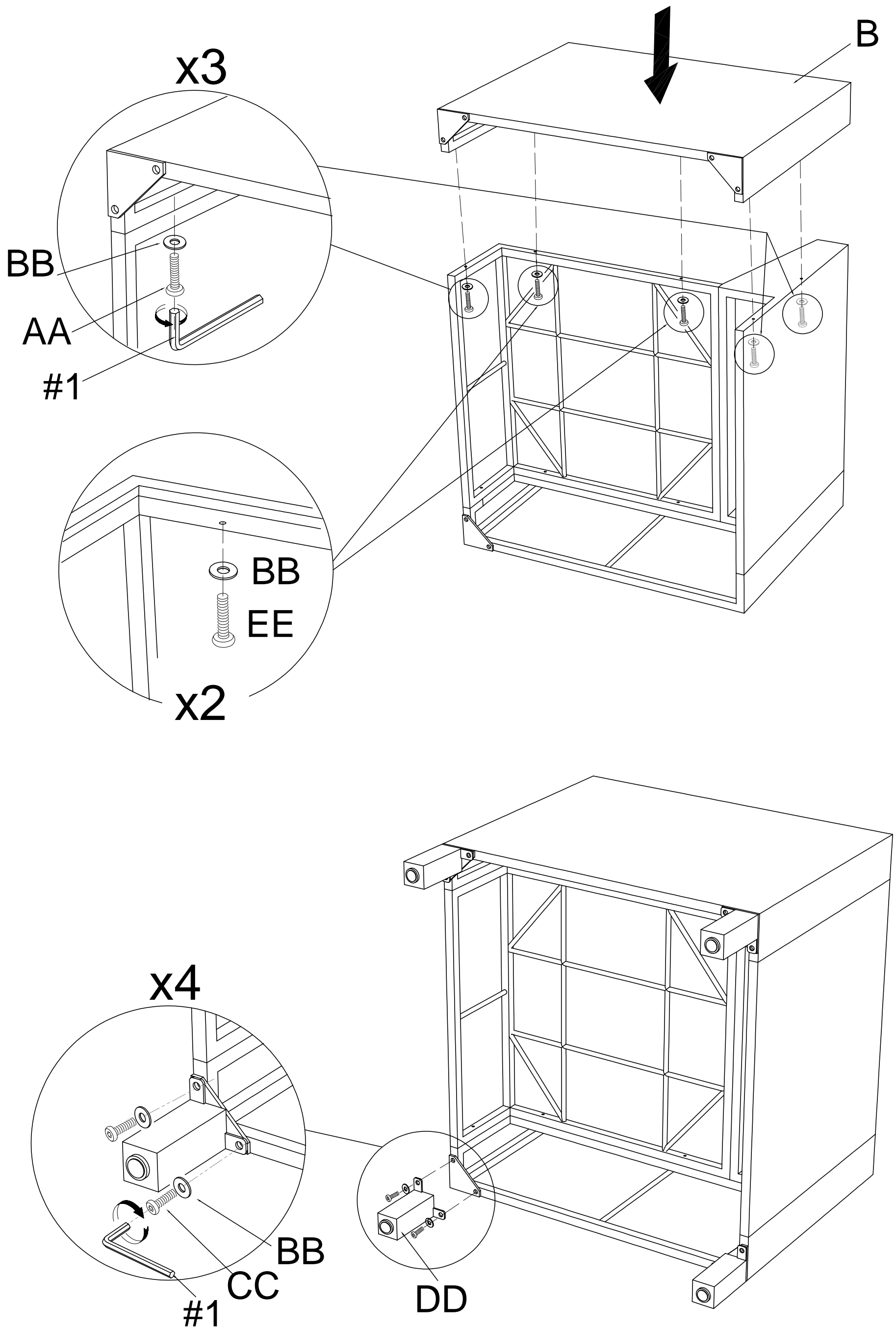
PACKAGE CONTENTS

Part	Description	Image	Quantity	Part	Description	Image	Quantity
A	Right Armrest		2	F	Back Cushion		2
B	Left Armrest		2	G	Seat Cushion		2
C2	Single Chair Seat		2	J2	Cover		2
D2	Single Chair Back		2				

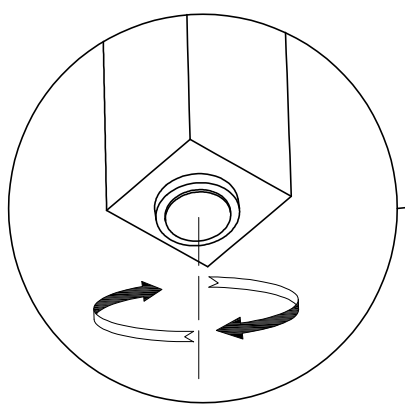
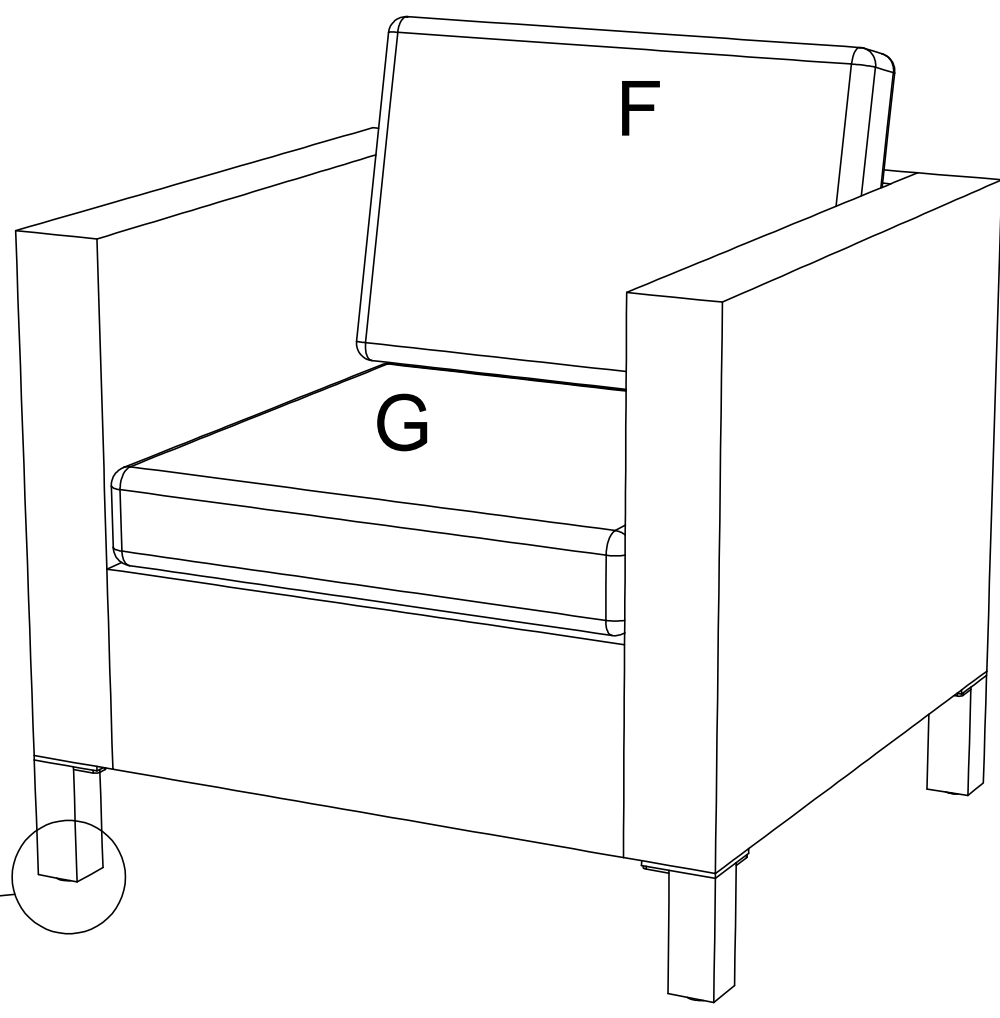
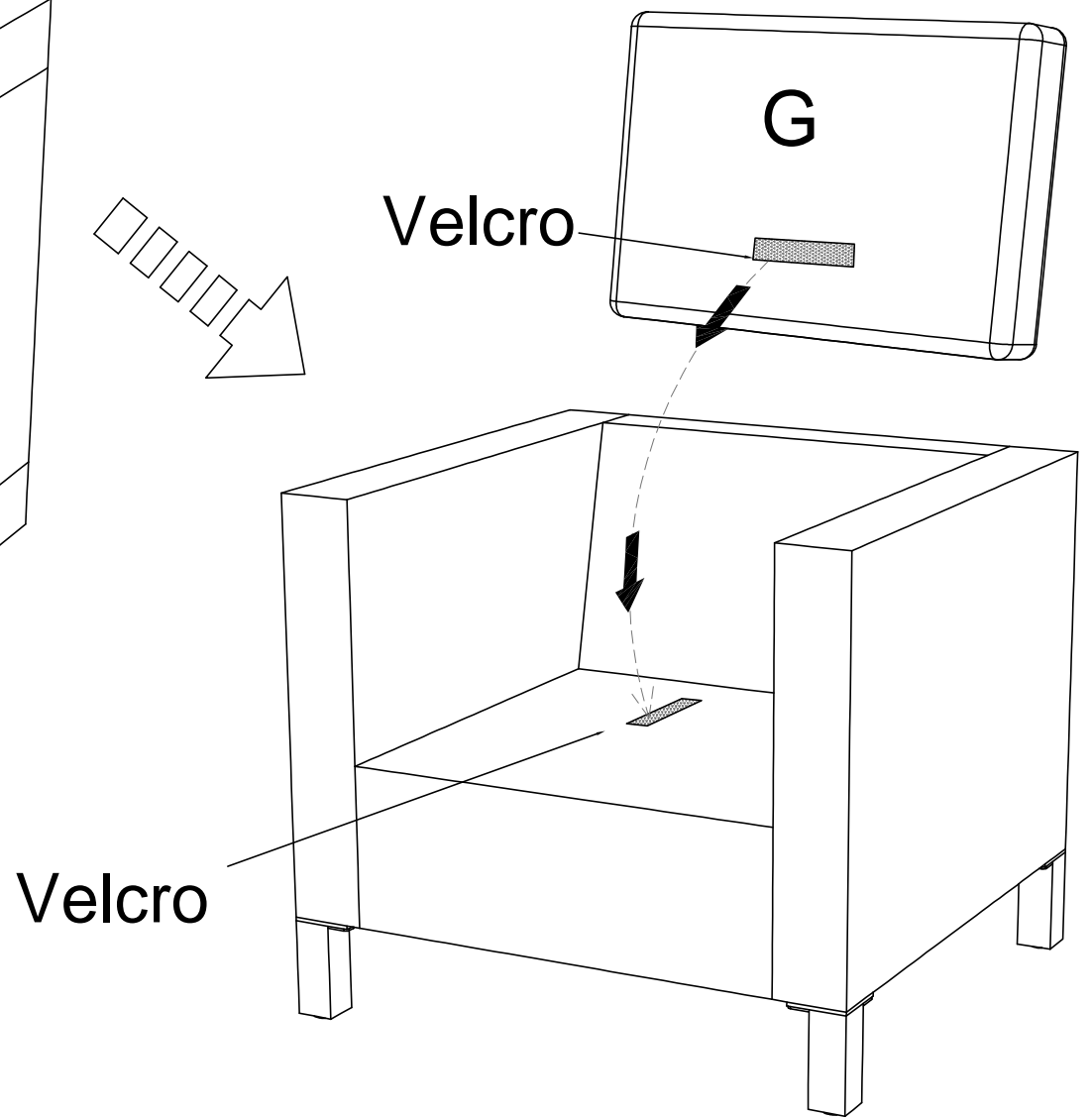
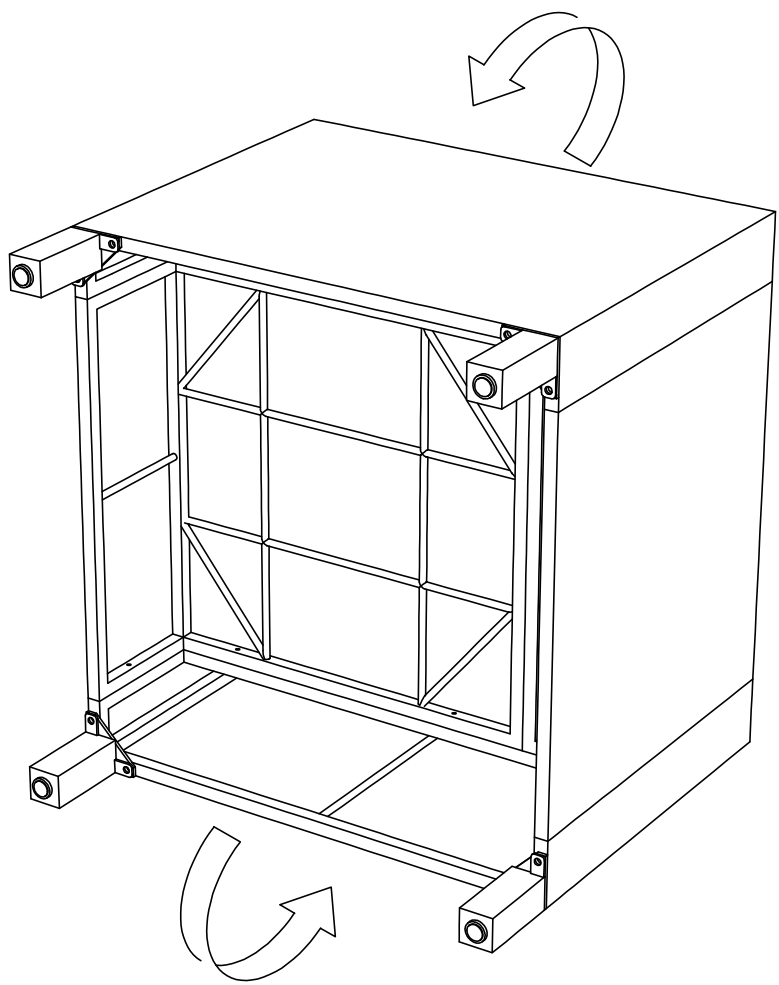
Assembly of Single Chair

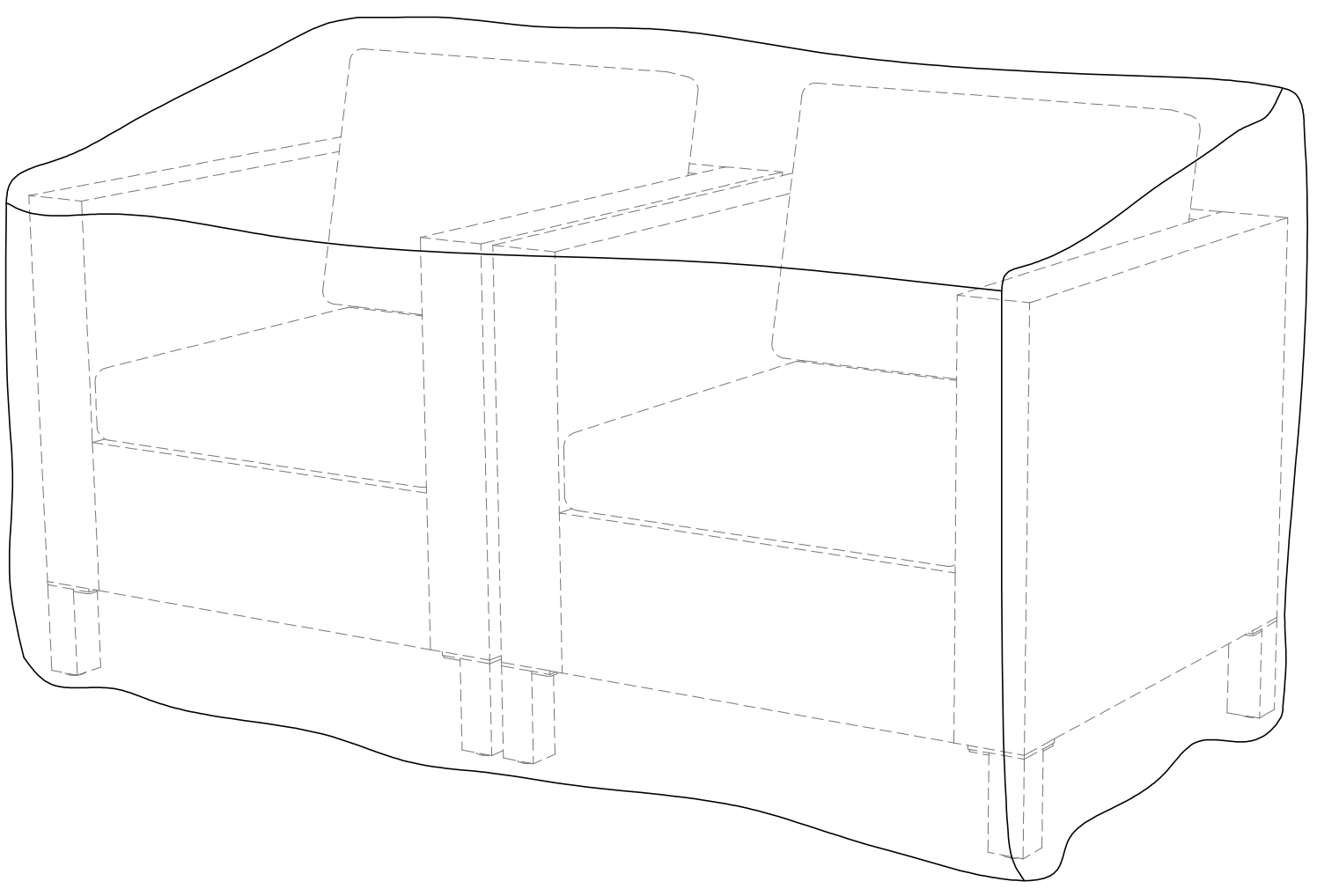
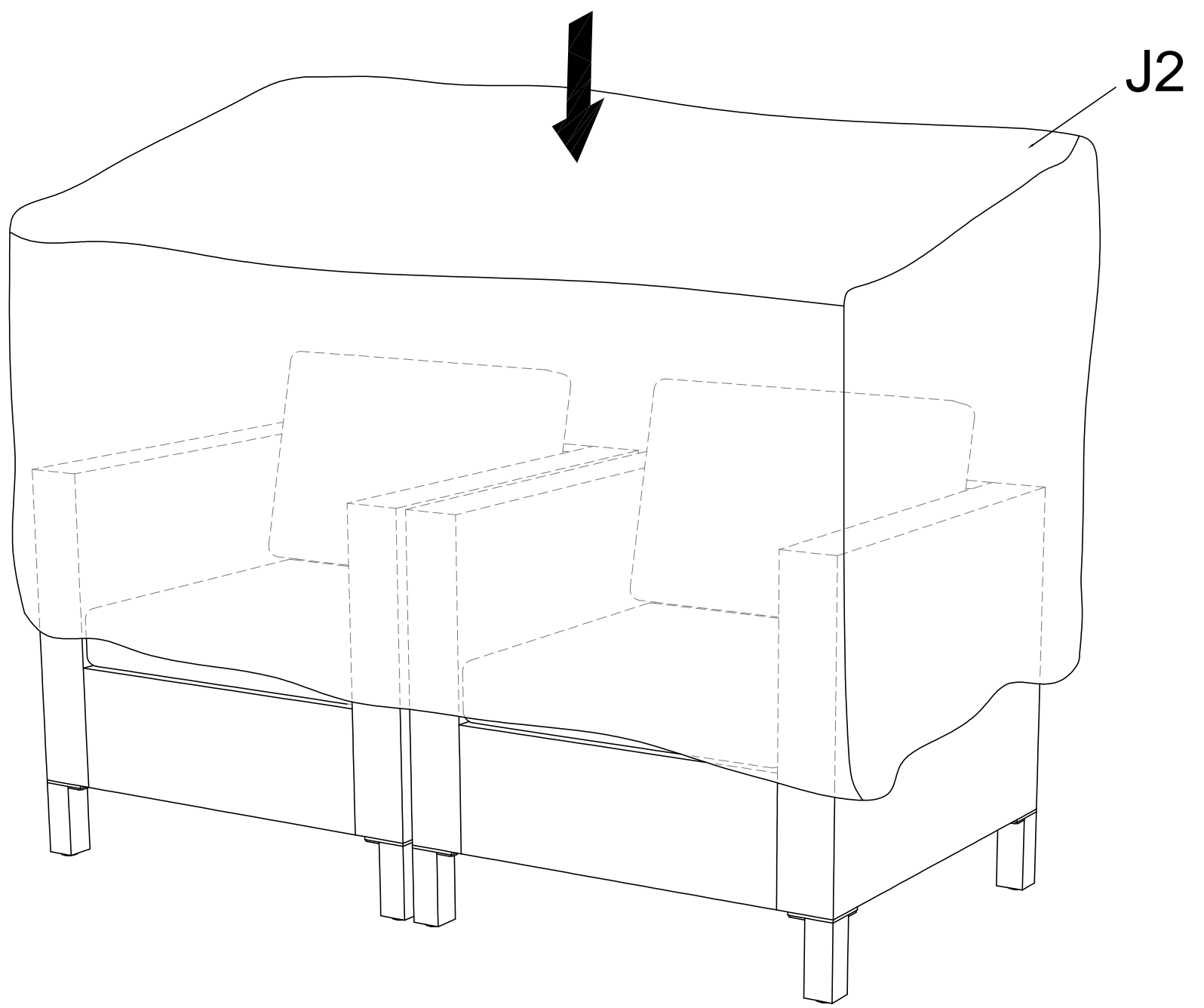


Assembly of Single Chair



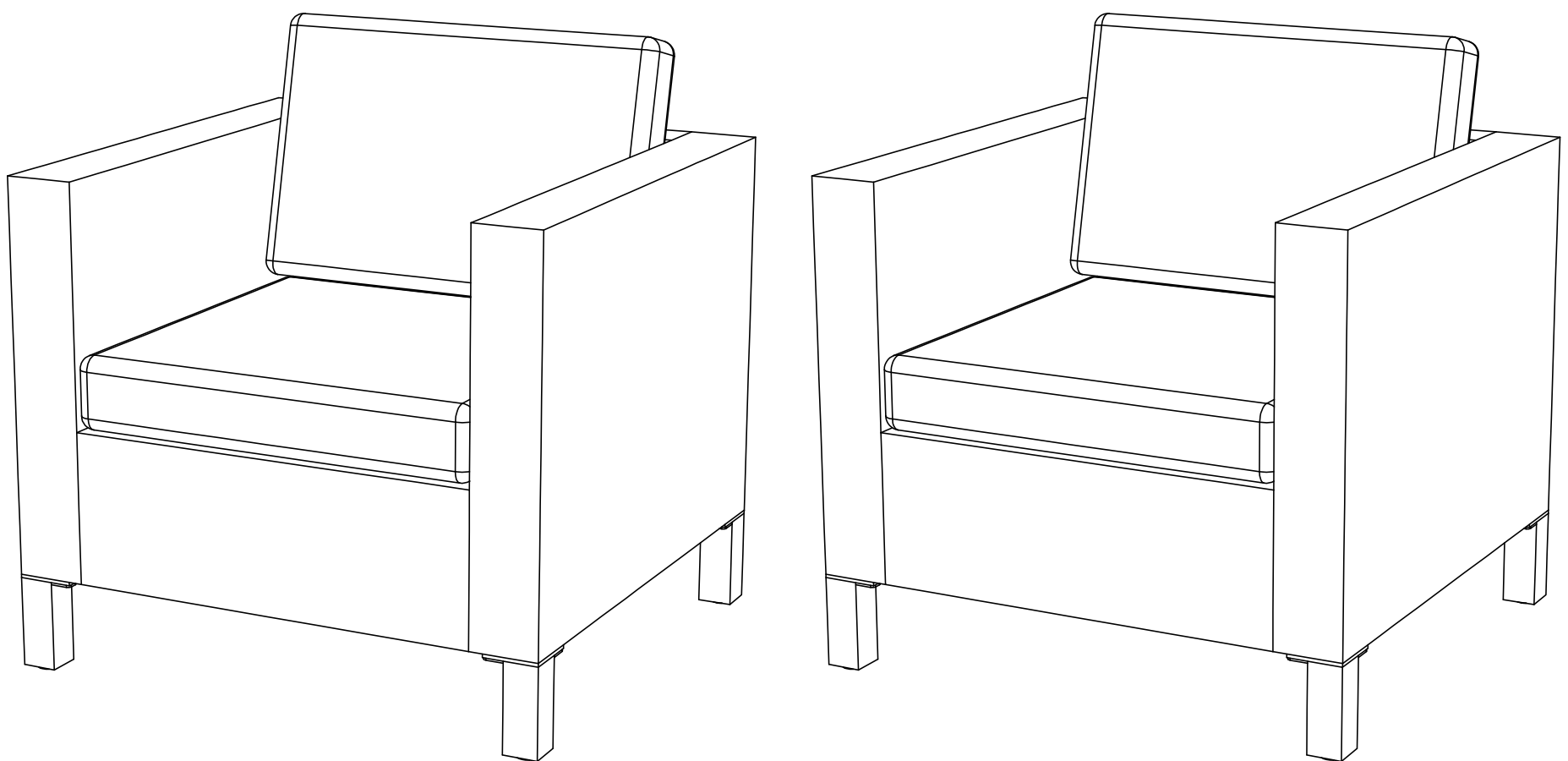
Assembly of Single Chair





If you find deep wrinkles due to the compression on the cushion cover , warm iron the fabric to remove the wrinkles

Due to the compression, it may take a while for the cushions to recover to original thickness.



Questions, problems, missing parts? Before returning the product, call our customer service 9 a.m.-5 p.m., PST, Monday- Friday

800-385-0608

or email us at aftersales@cye-way.com for assistance.