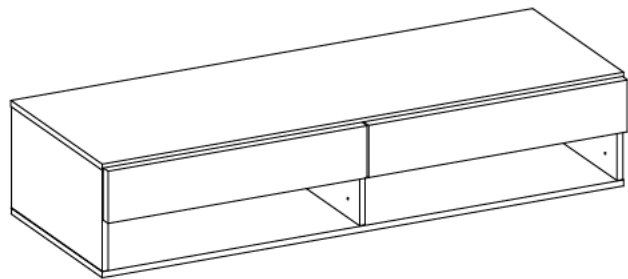
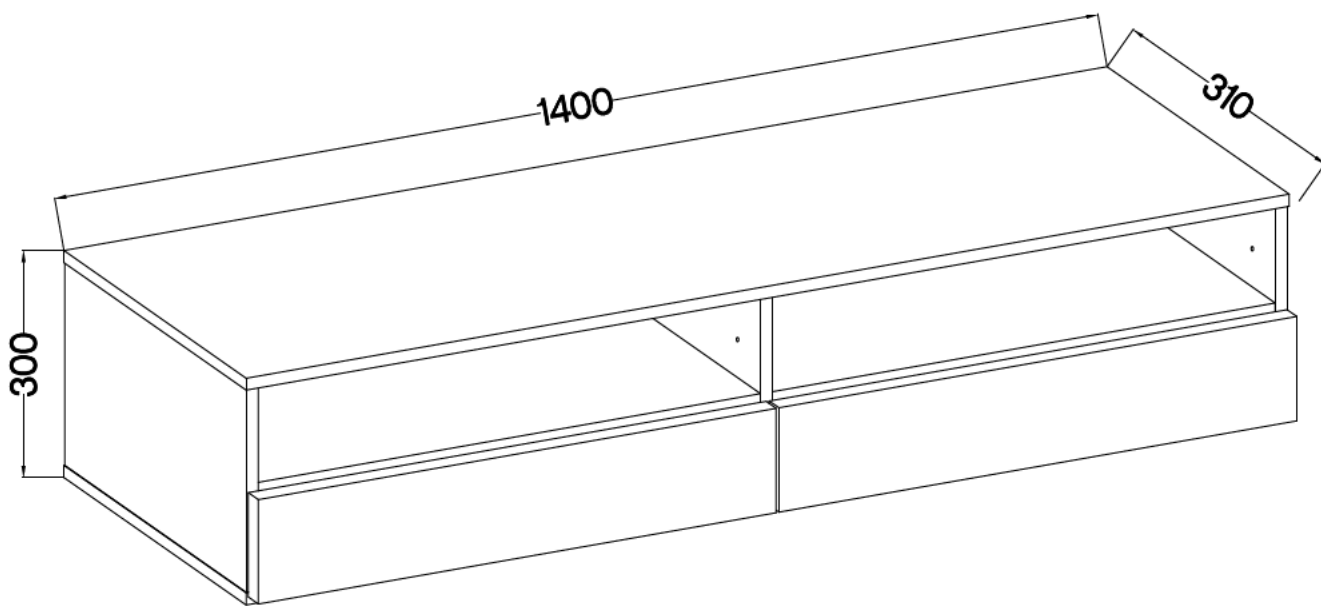
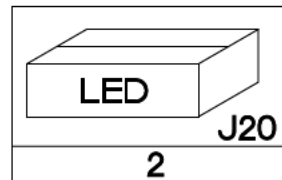


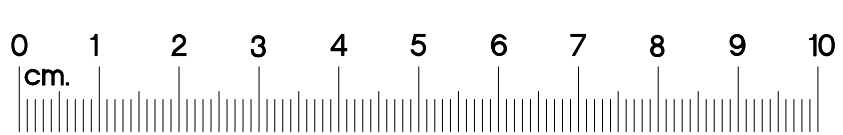
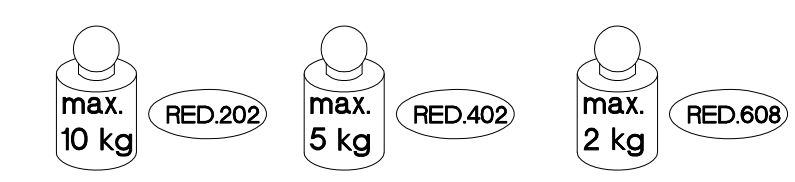
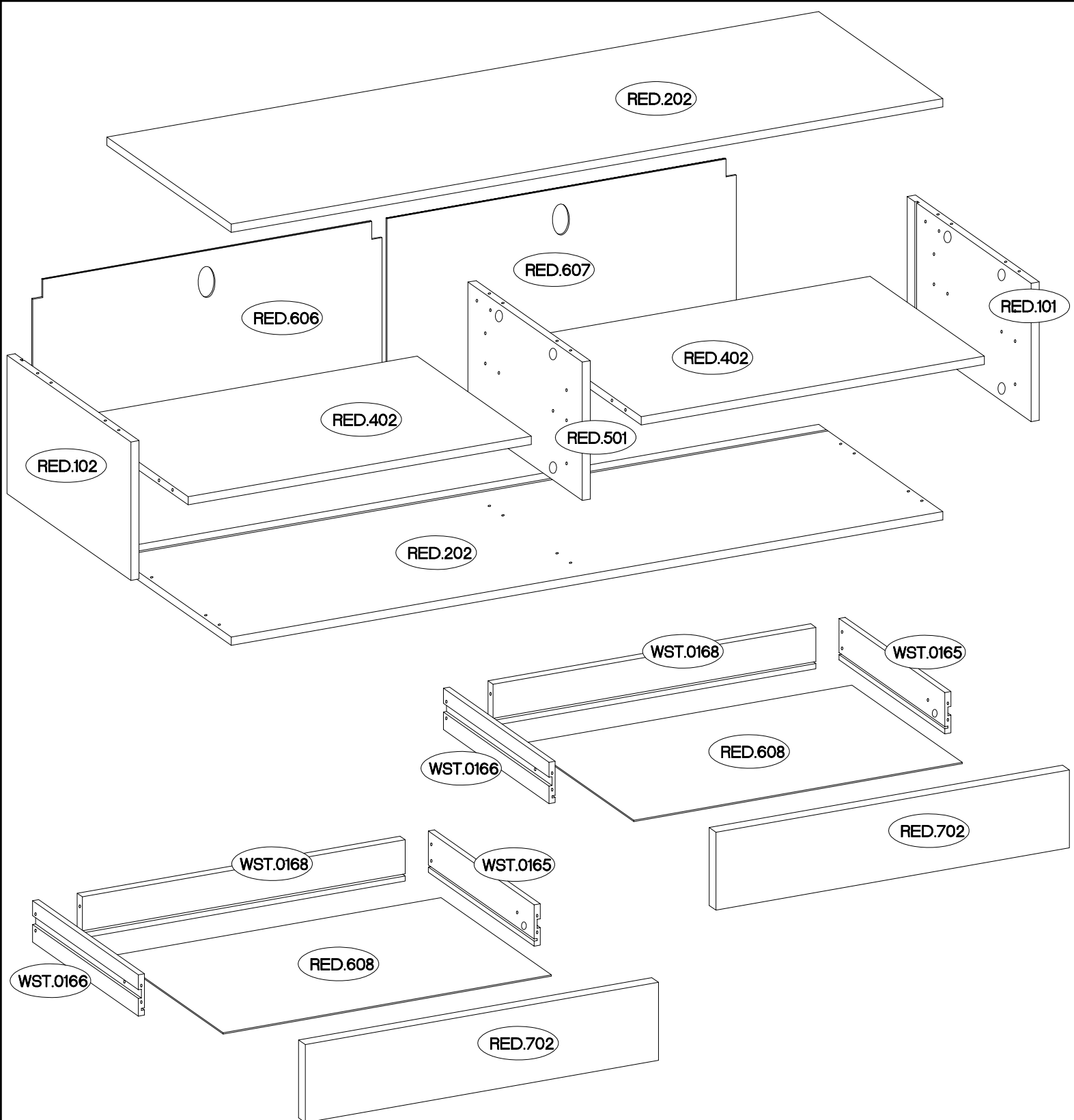
90 min



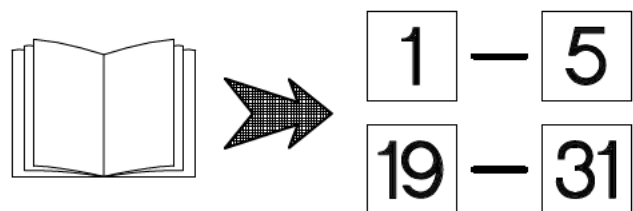
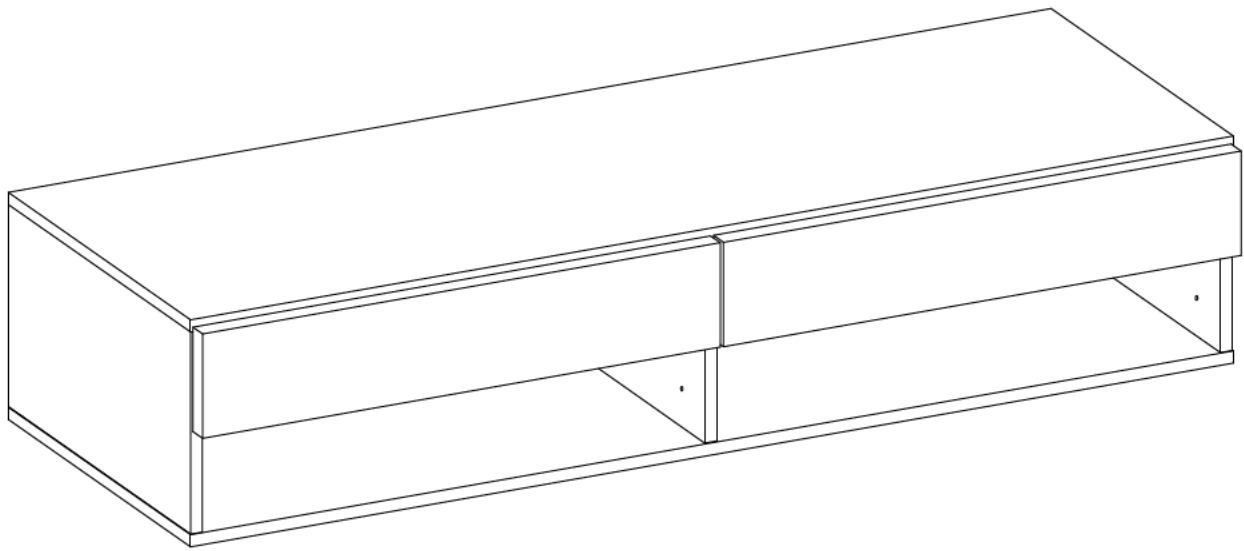
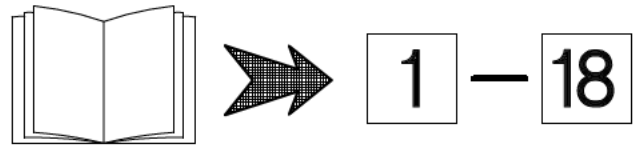
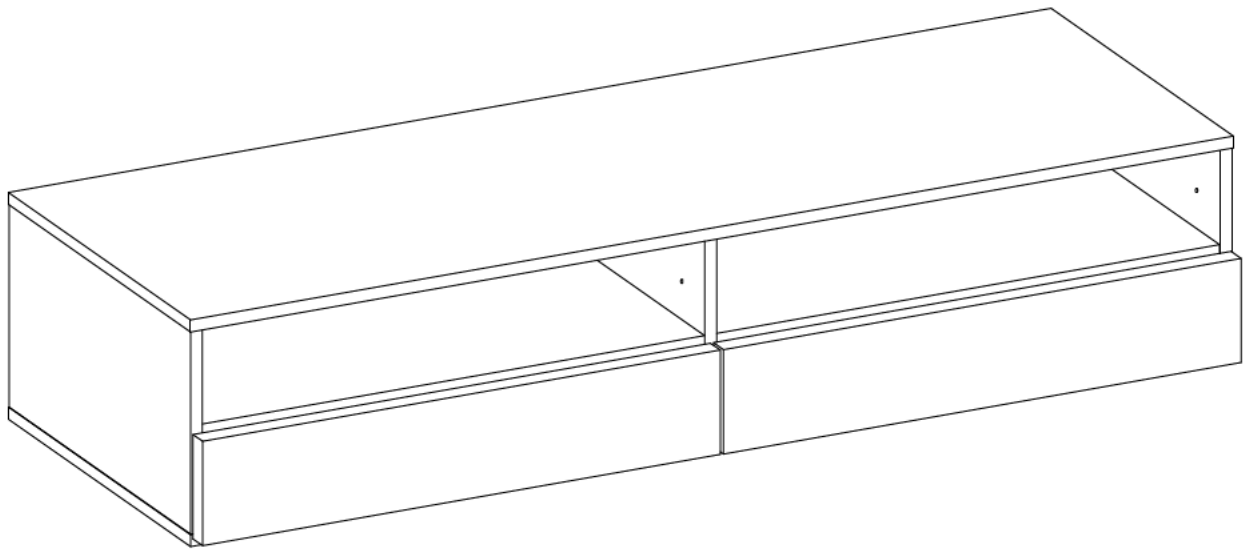
VARIANT





 +8x30mm A	 +6x42mm B2	 +15/12mm C	 +12/10mm C5	 L=56mm D4	 L=20mm D2	 E
28	4	20	4	2	20	17
 E13	 +15x5mm F4	 17/246mm I	 +20/8mm J14	 L K9	 R K10	 L K11
3	6	2	4	1	2	1
 K12	 L	 L33				
2	16	2				
 +6,3x13mm M2	 +6.3x20mm M3	 6,5/68mm O4	 +10x50mm O7	 +3.5x13mm P5	 +3.0x20mm P7	 M4x9mm U1
4	4	3	3	4	10-15	4



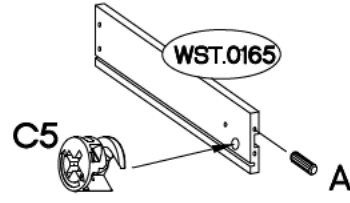
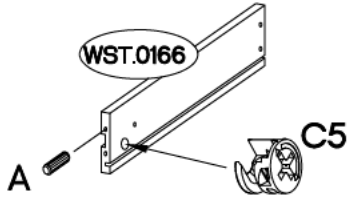
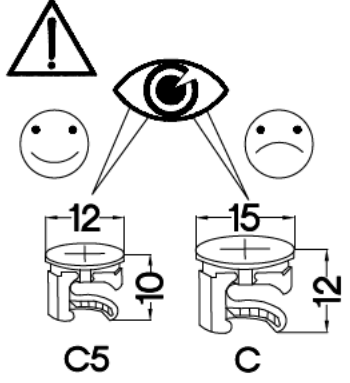
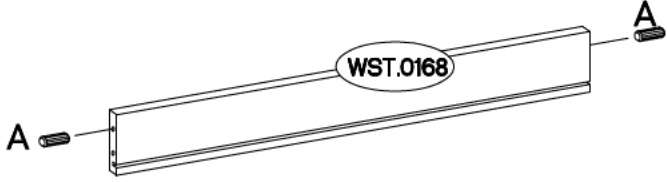
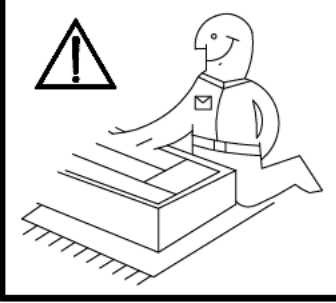
Colli	Ersatzteil Nummer	Dimension
Colli 1/1	RED.101	268x293x16
	RED.102	268x293x16
	RED.202 x2	1400x294x16
	RED.402 x2	675x270x16
	RED.501	268x271x16
	RED.606	687x277x2,5
	RED.607	687x277x2,5
	RED.608 x2	646x248x2,5
	RED.702 x2	695x138x16
	WST.0165 x2	250x80x12
	WST.0166 x2	250x80x12
	WST.0168 x2	635x80x12



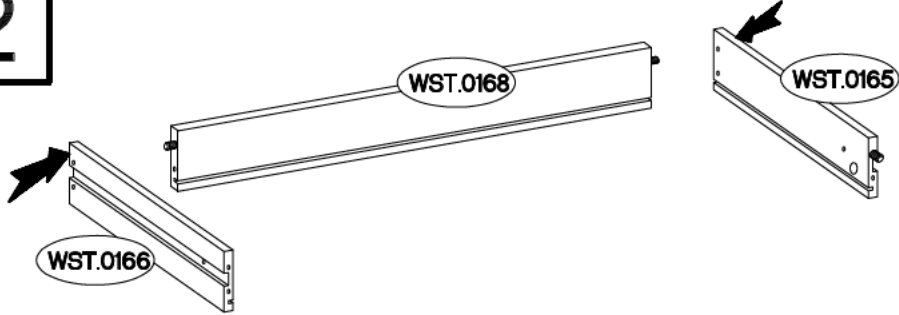
1

#12/10mm  C5 4	#8x30mm  A 8
---	---


x2

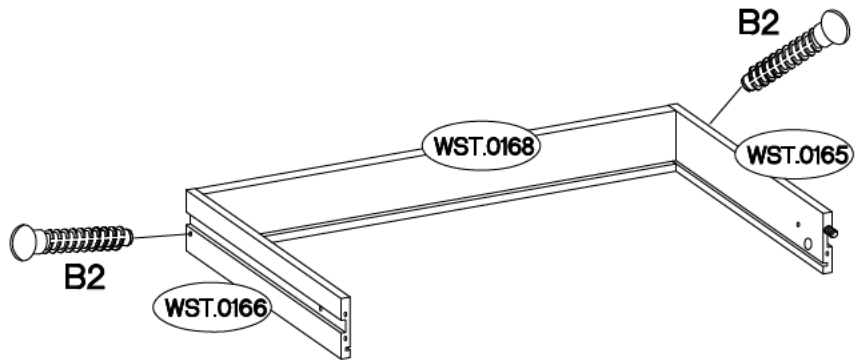
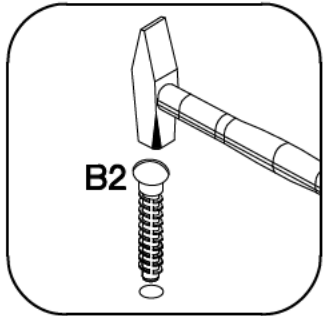


2





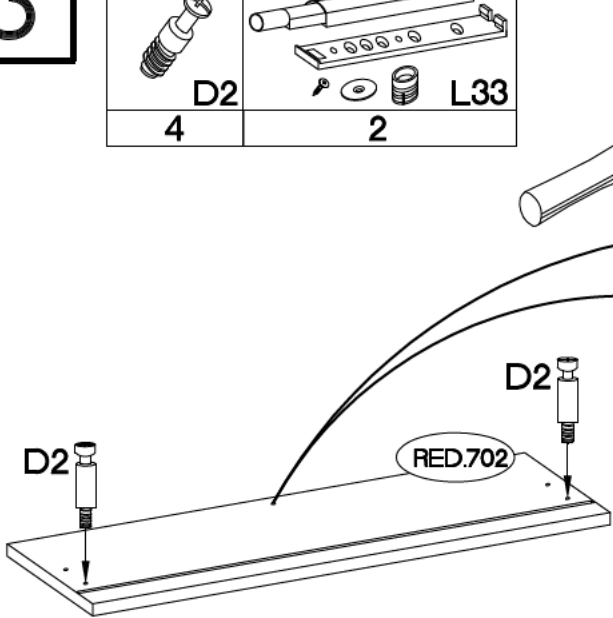
x2

#6x42mm  B2 4
---

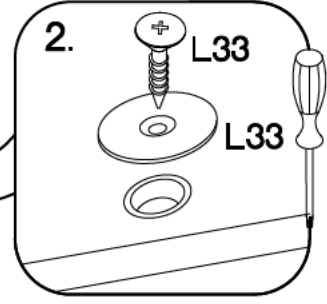


3

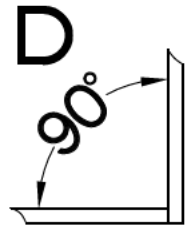
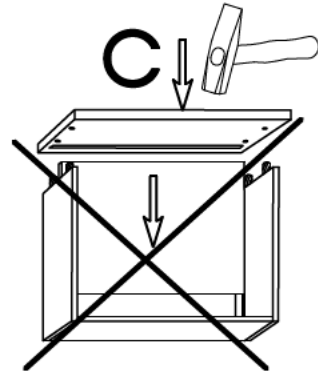
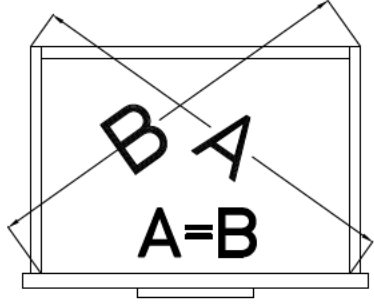
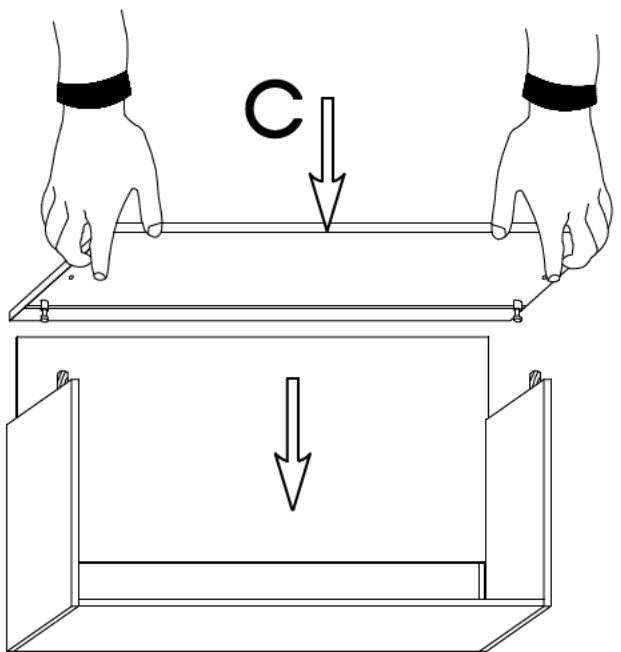
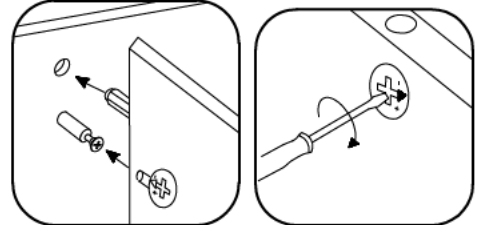
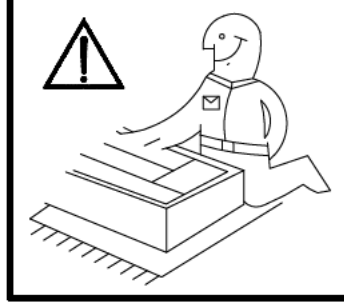
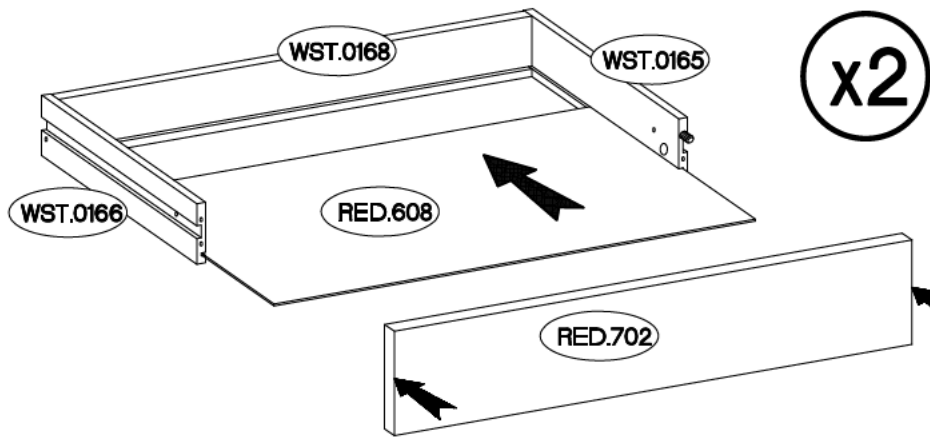
L=20mm  D2 4	 L33 2
--	---



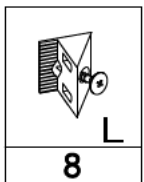
x2



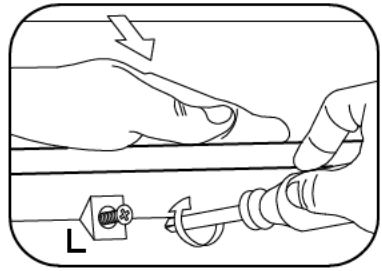
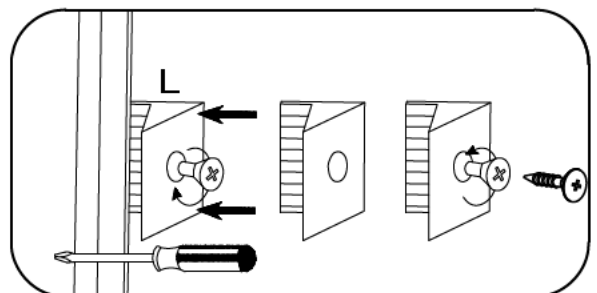
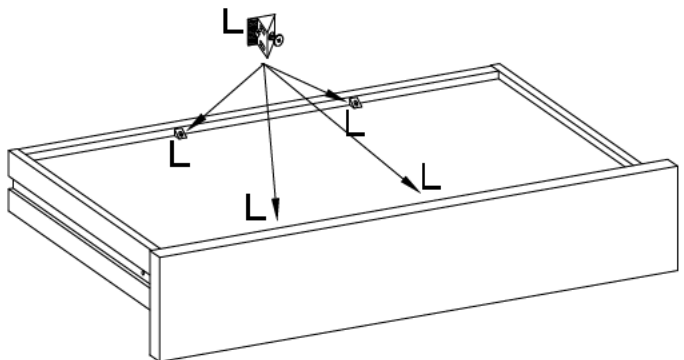
4



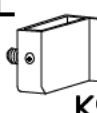
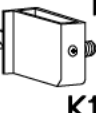







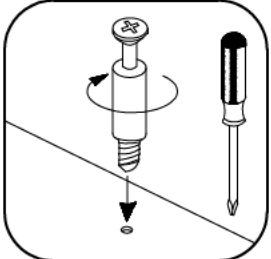
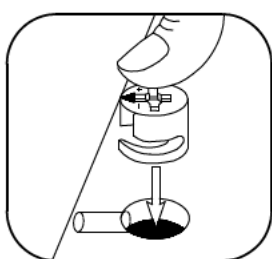
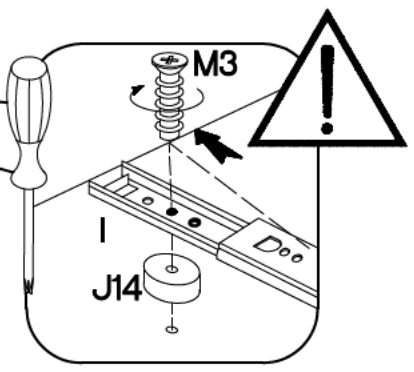
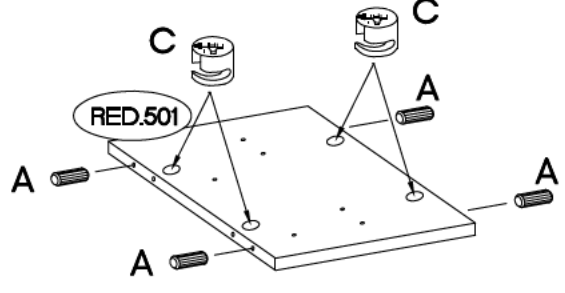
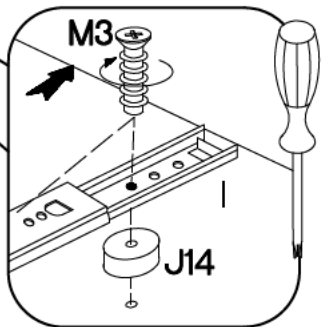
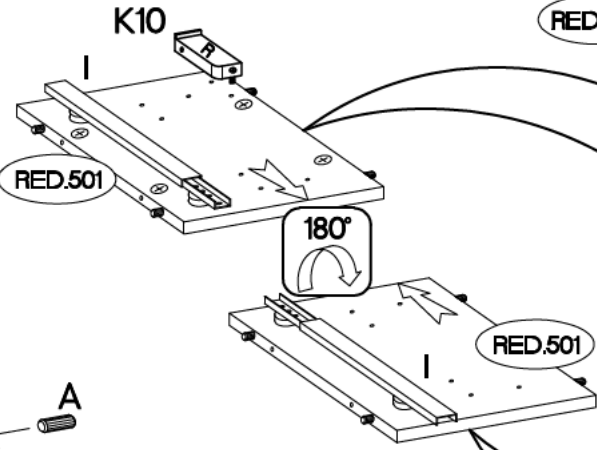
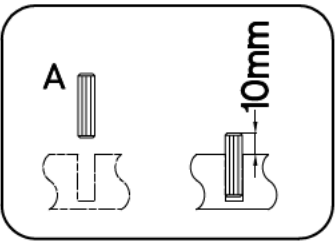
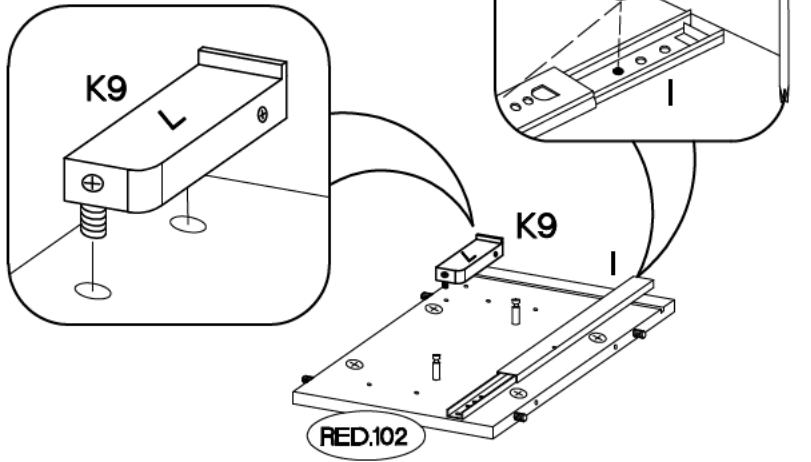
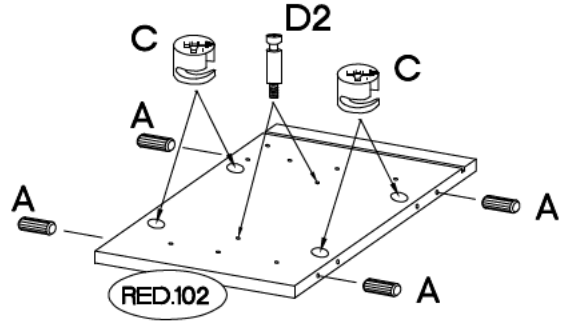
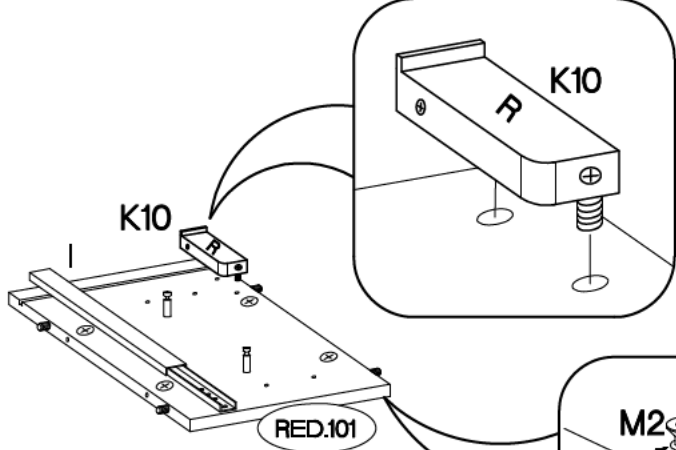
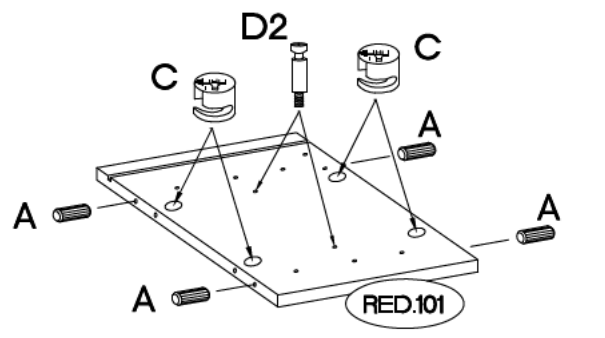
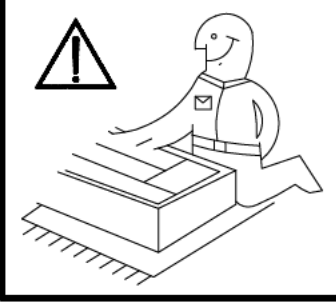
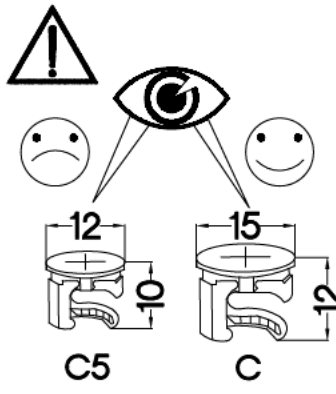
5




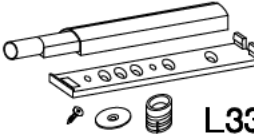



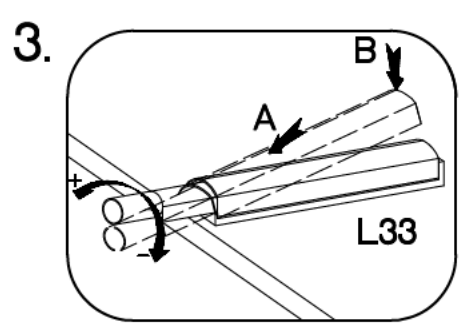
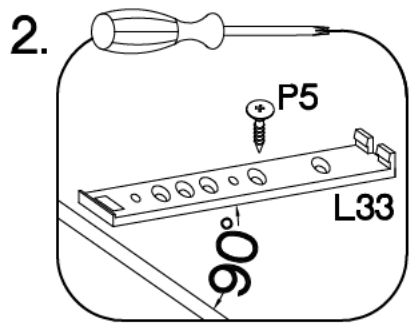
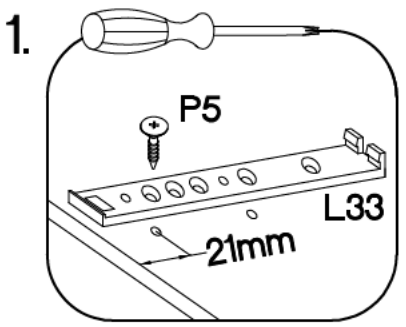
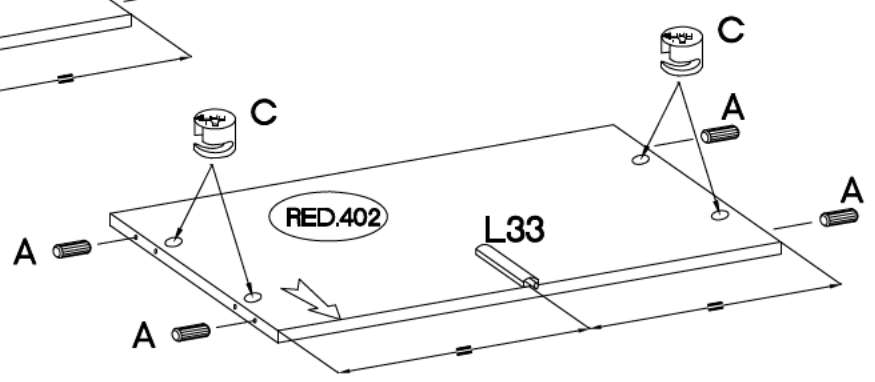
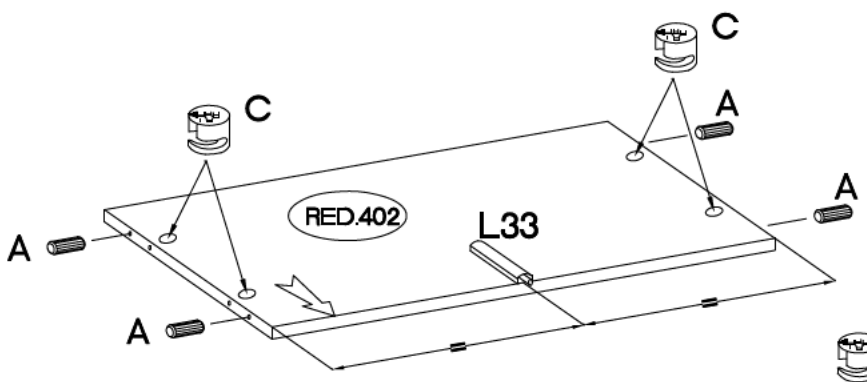
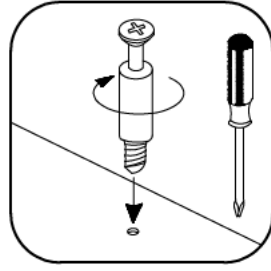
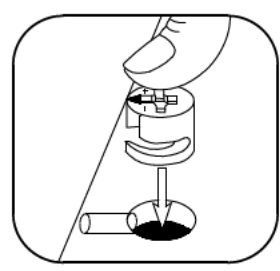
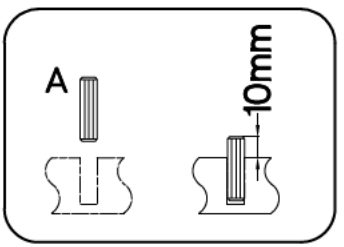
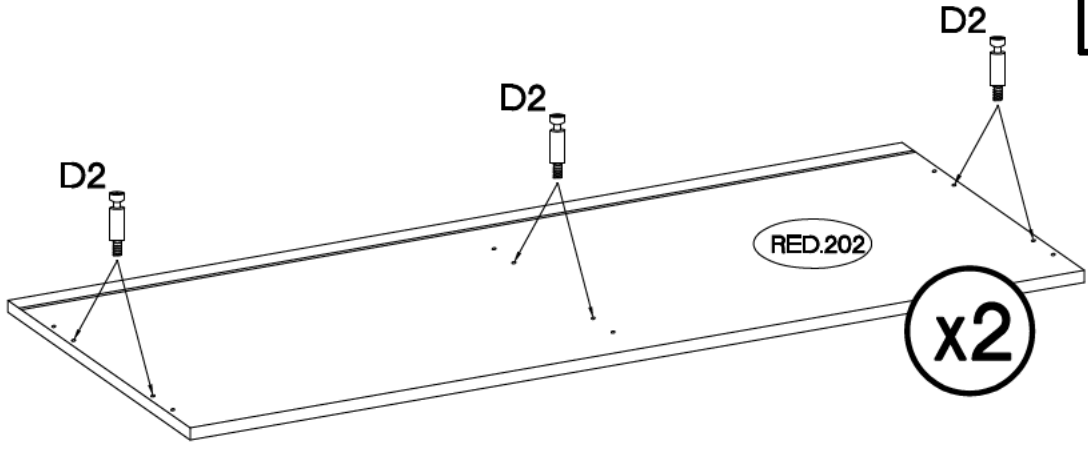
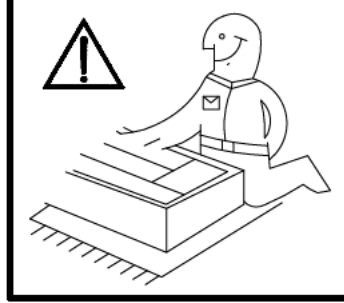
x2



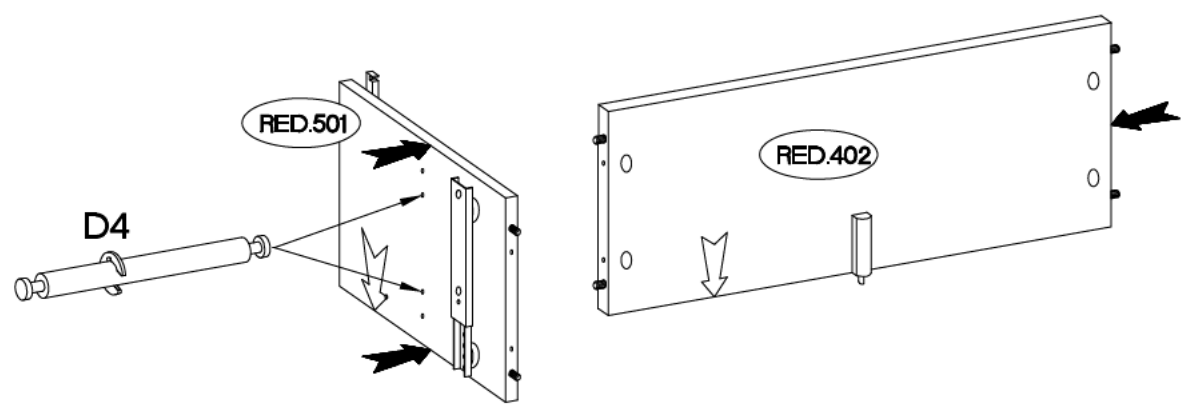
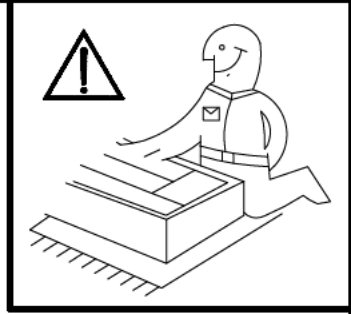
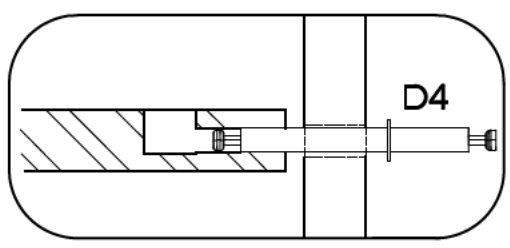
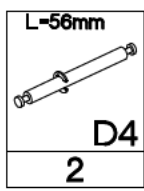
$\pm 8 \times 30 \text{mm}$  A	$\pm 5/12 \text{mm}$  C	L  K9	R  K10
12	12	1	2
L=20mm  D2	17/246mm  I	$\pm 6,3 \times 13 \text{mm}$  M2	$\pm 6,3 \times 20 \text{mm}$  M3
4	2	4	4
			$\pm 20/8 \text{mm}$  J14
			4



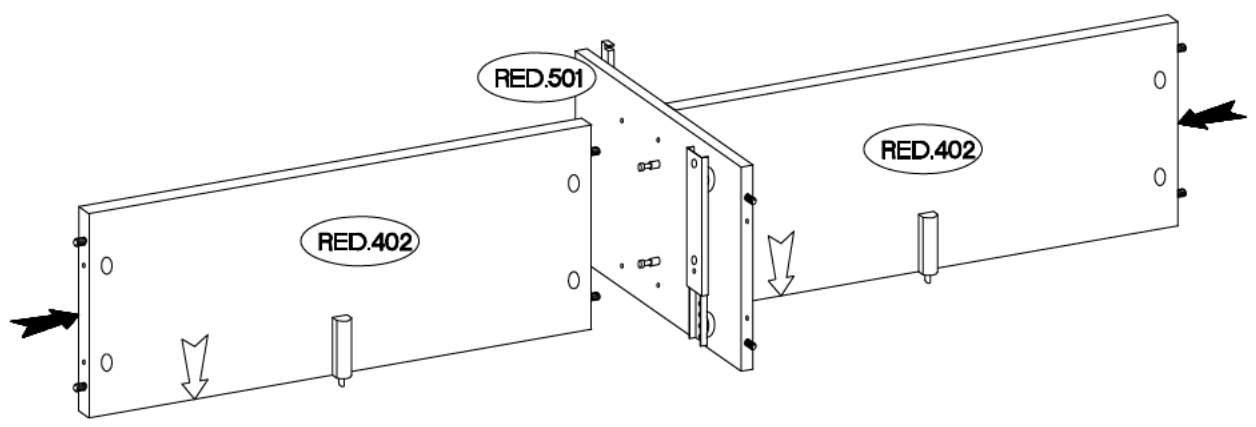
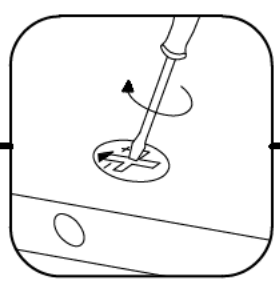
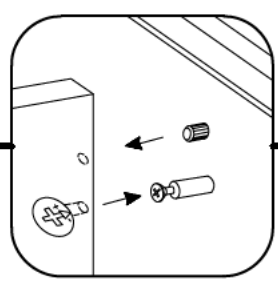
L=20mm  D2 12	15/12mm  C 8	3.5x13mm  P5 4	 L33 1	8x30mm  A 8
--	---	---	--	--



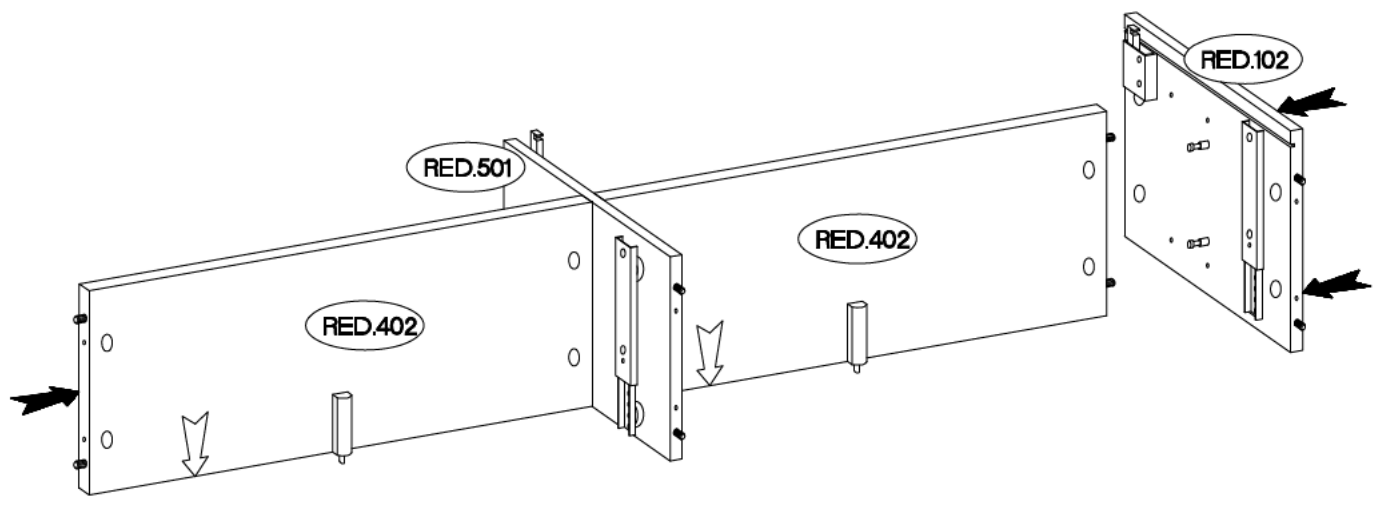
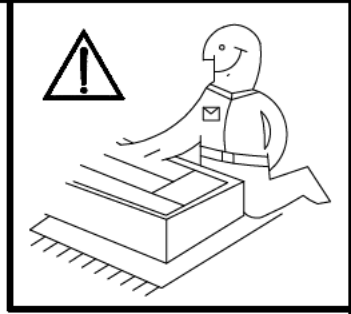
8



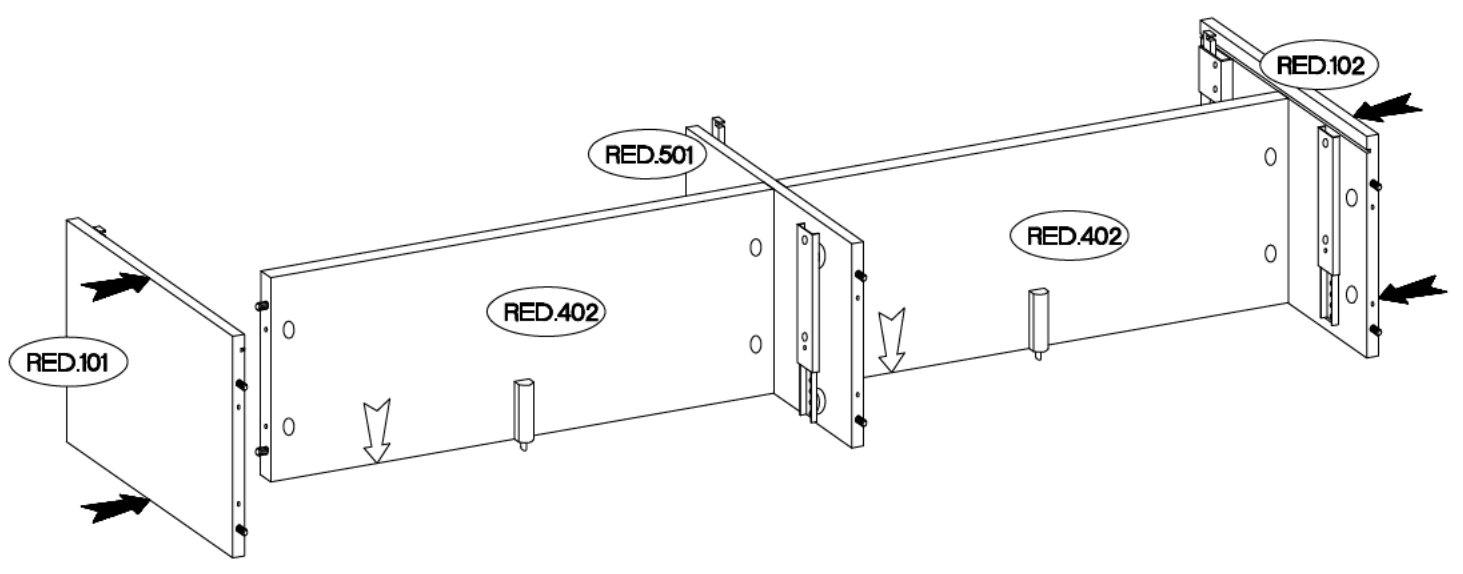
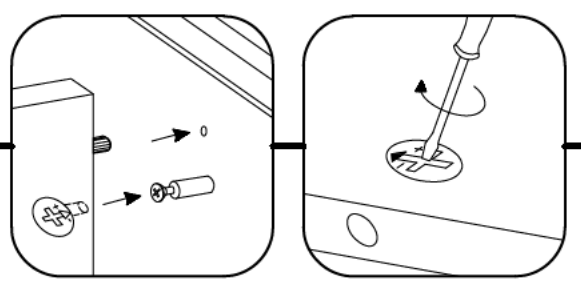
9



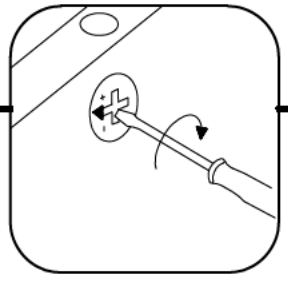
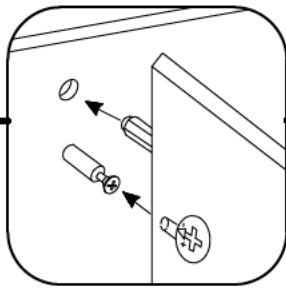
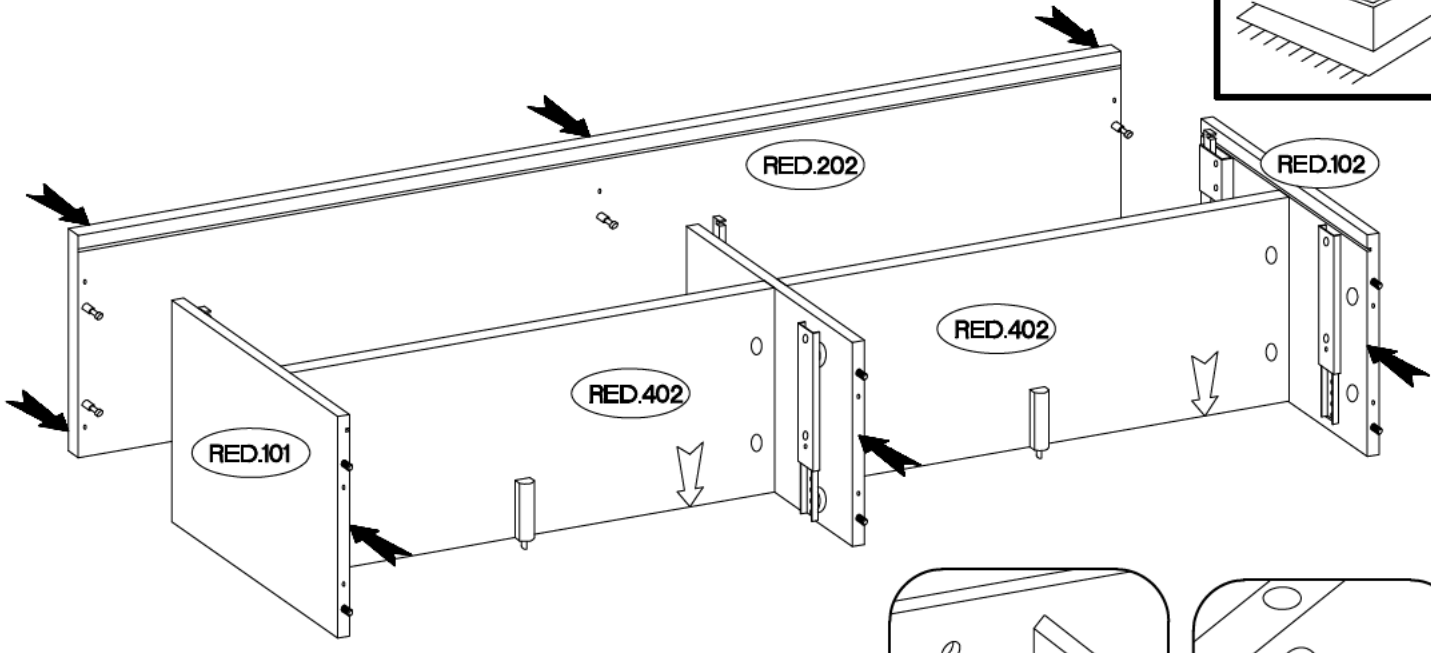
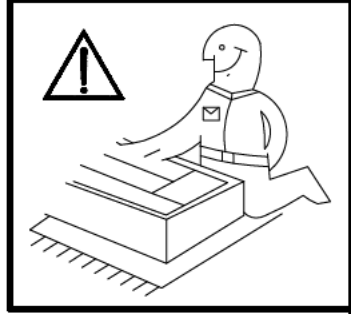
10



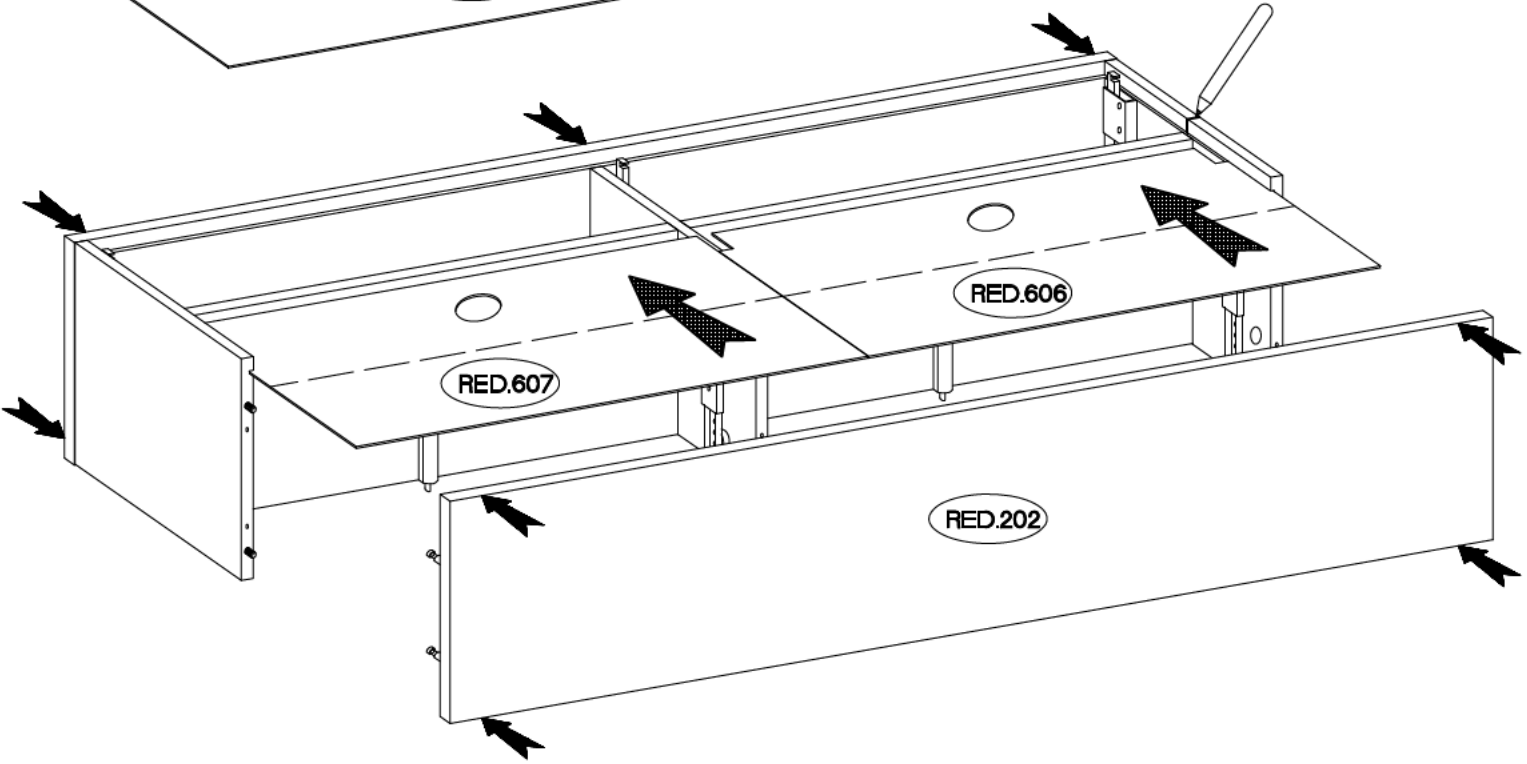
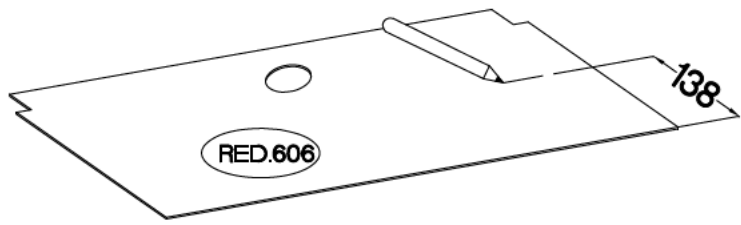
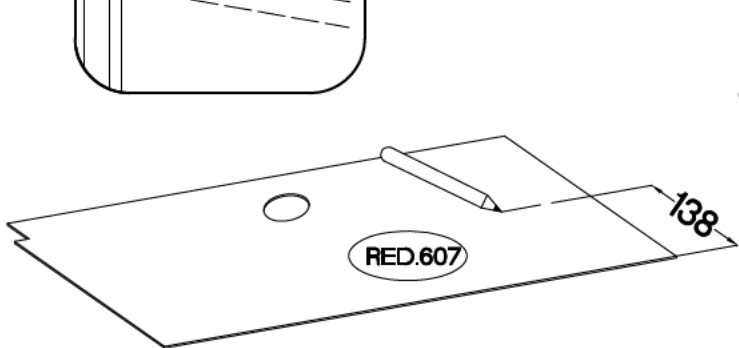
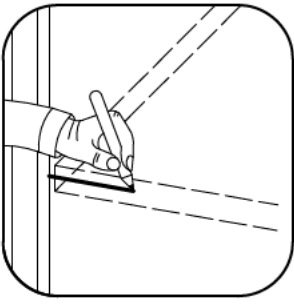
11




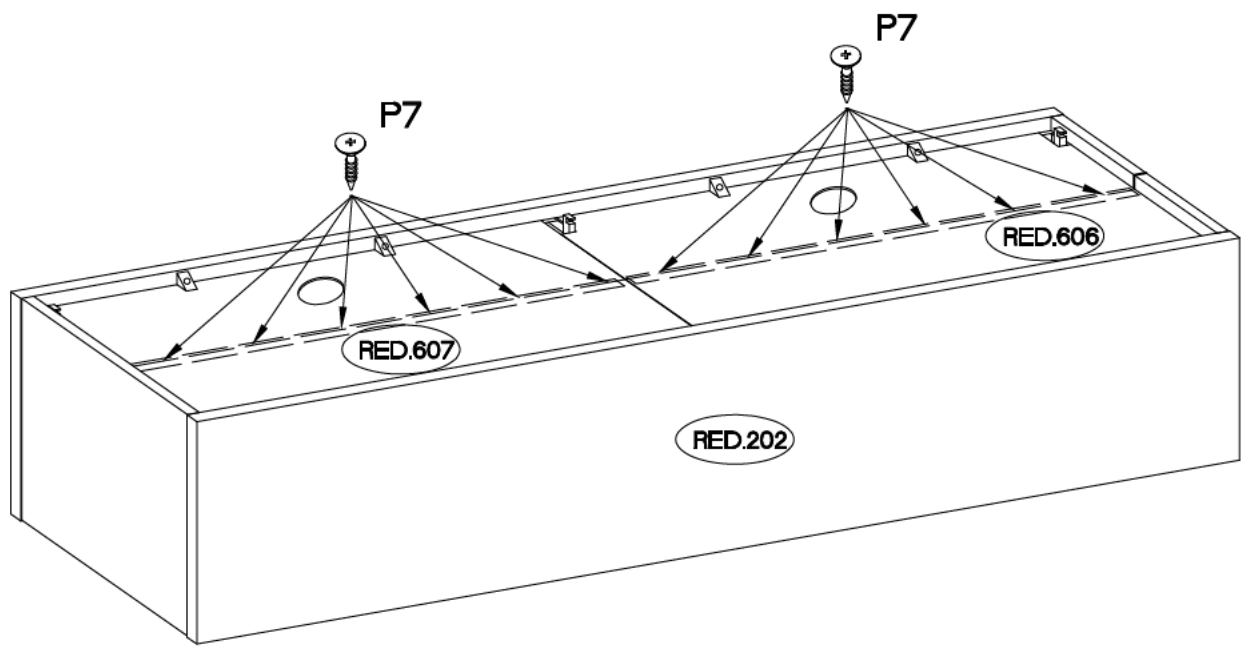
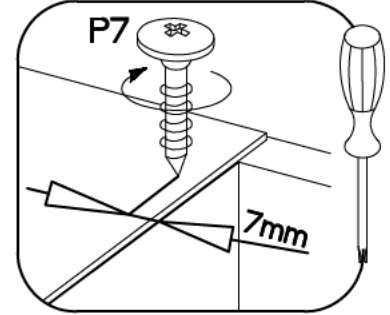
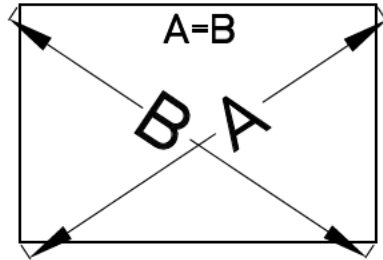
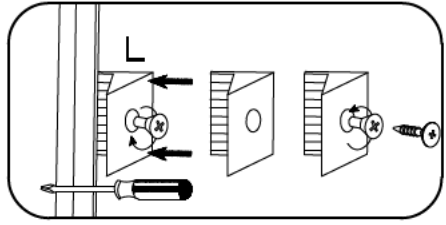
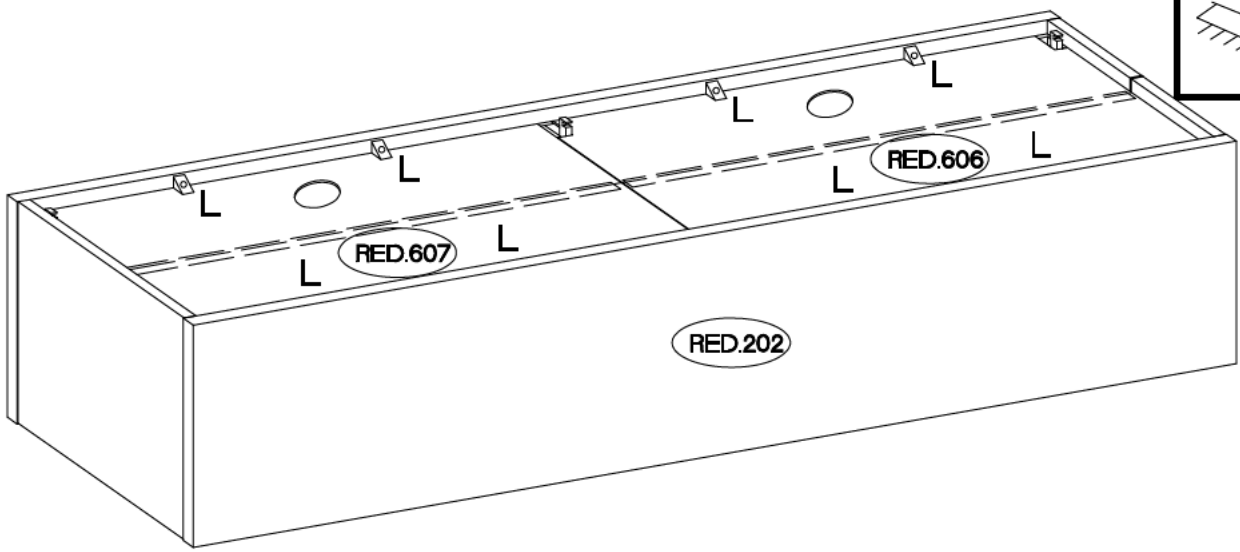
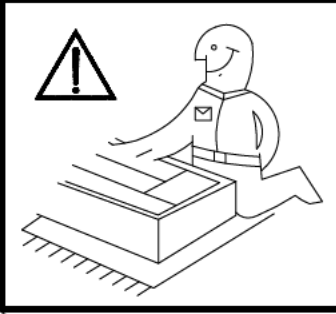
12

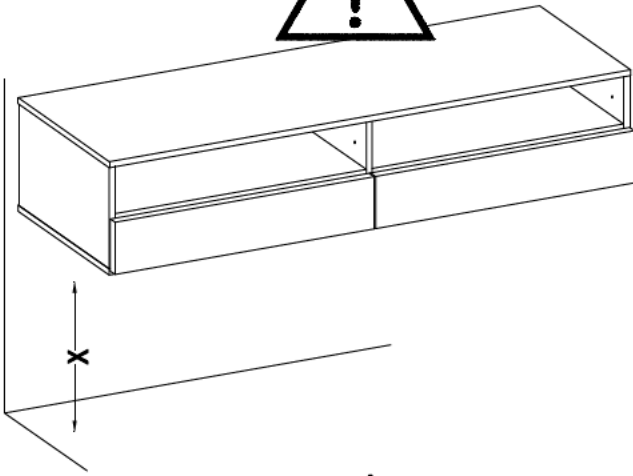


13

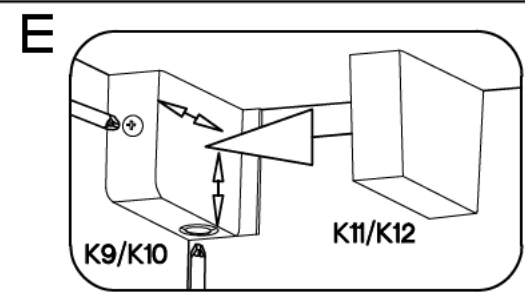
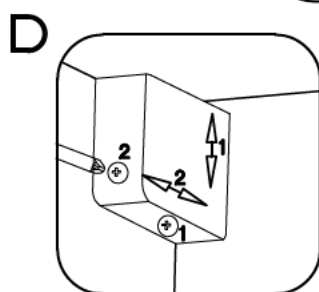
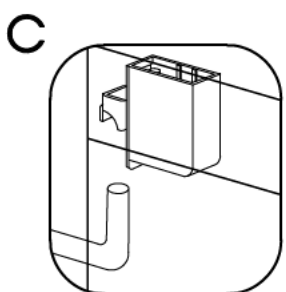
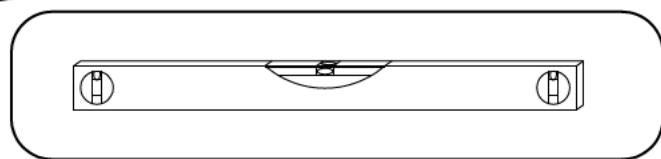
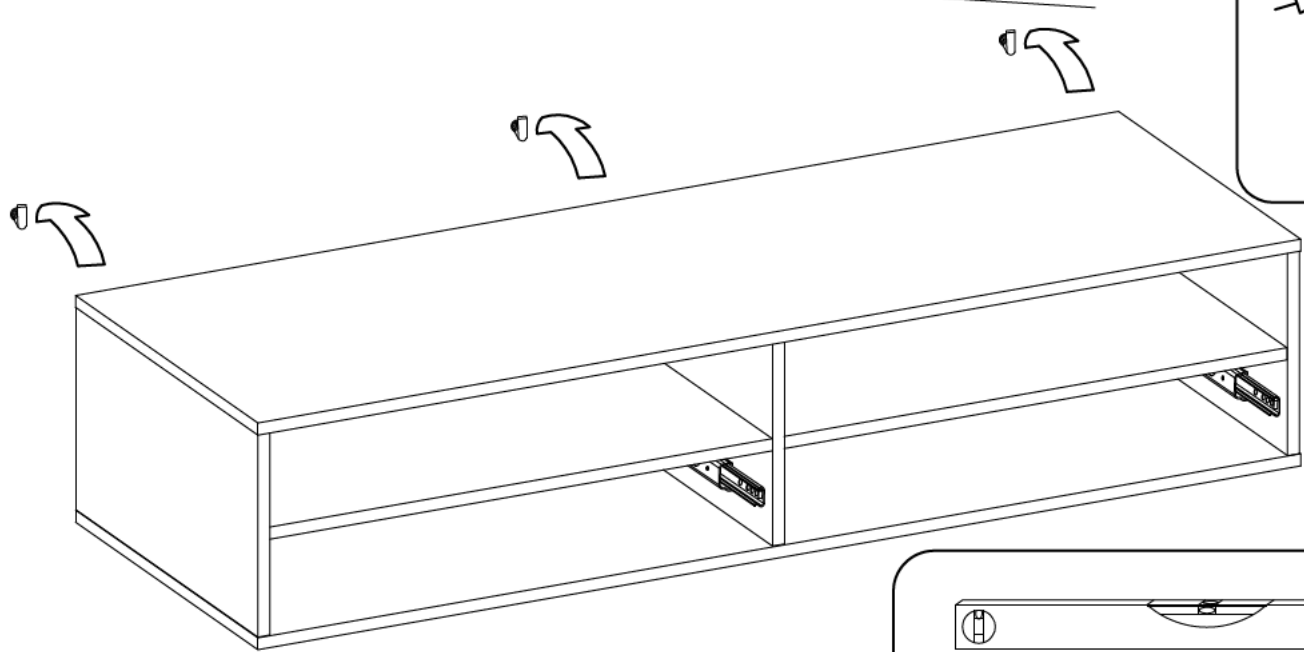
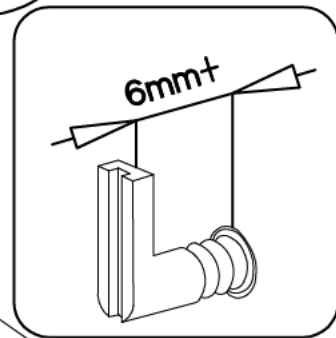
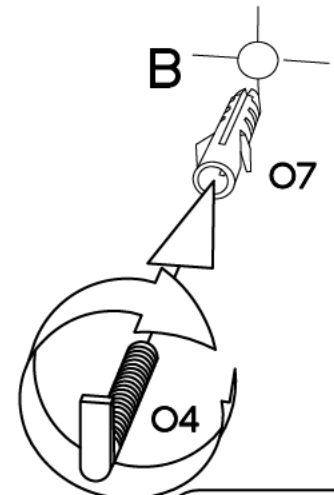
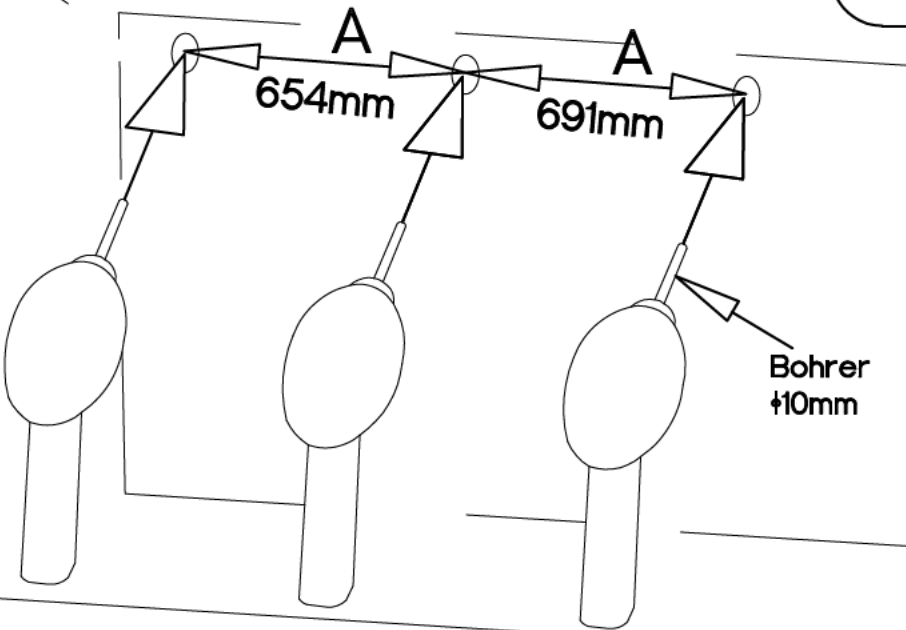
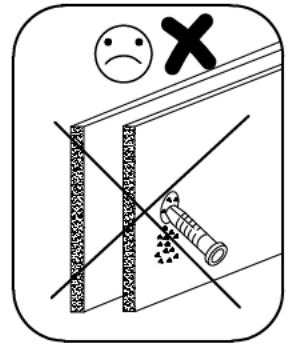
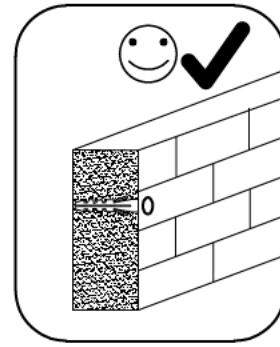


	$\pm 3.0 \times 20 \text{mm}$
L	P7
8	10-15

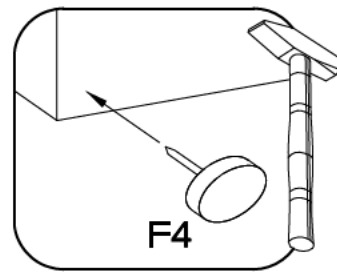
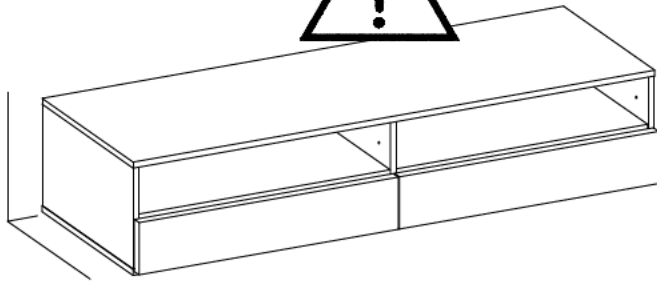





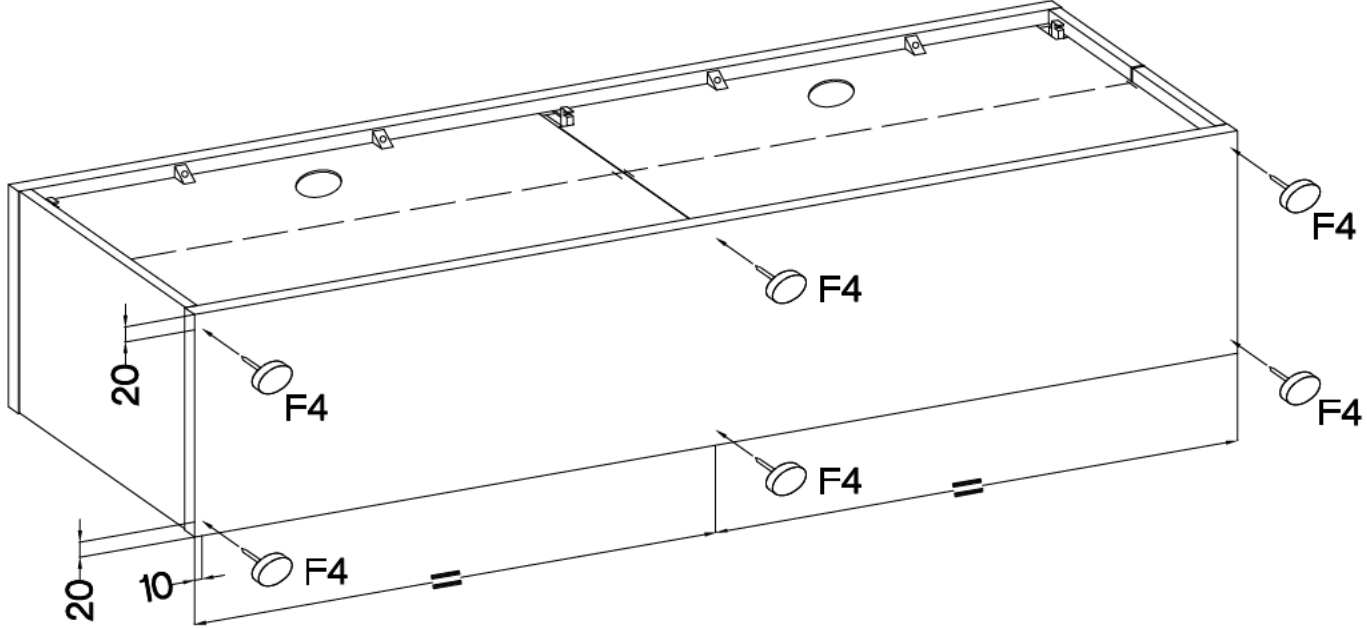
$\varnothing 10 \times 50 \text{mm}$  O7 3	$6,5/68 \text{mm}$  O4 3	L  K11 1	R  K12 2
---	-----------------------------------	-------------------	-------------------



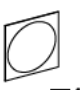

16

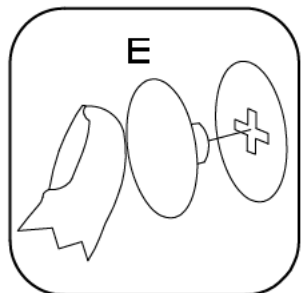
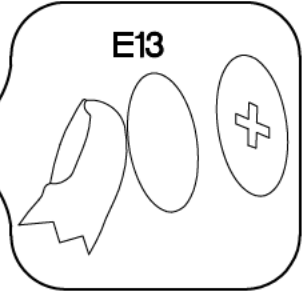
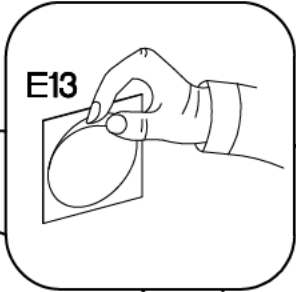
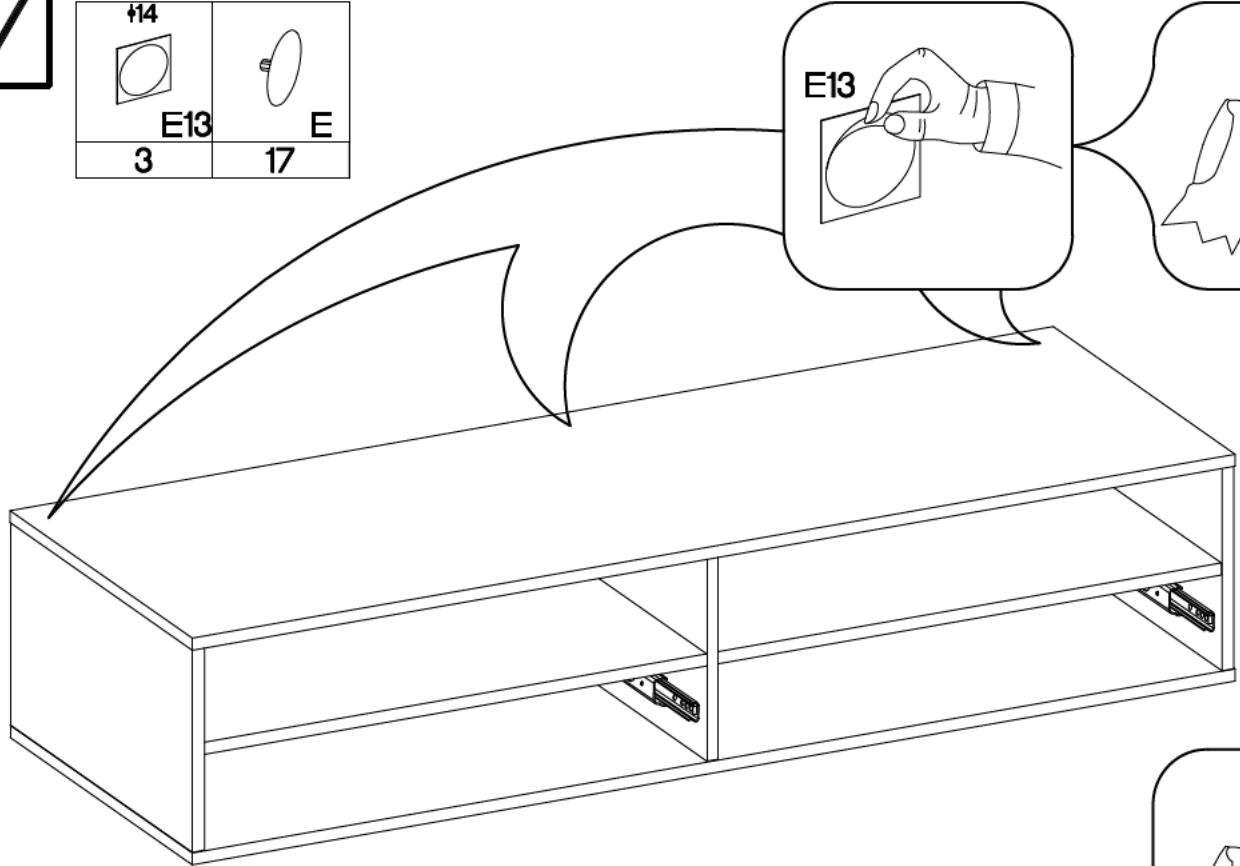


†15x5mm

F4
6



17

†14		
E13	3	E
	17	

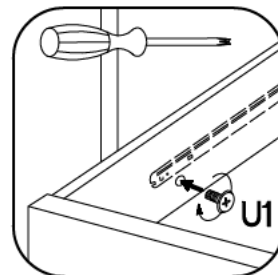
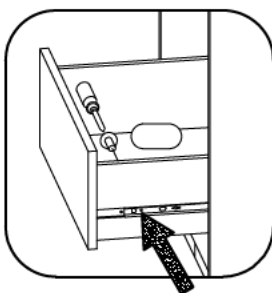
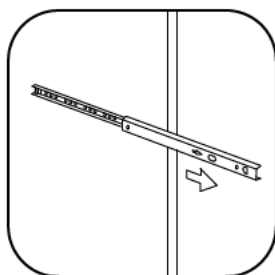
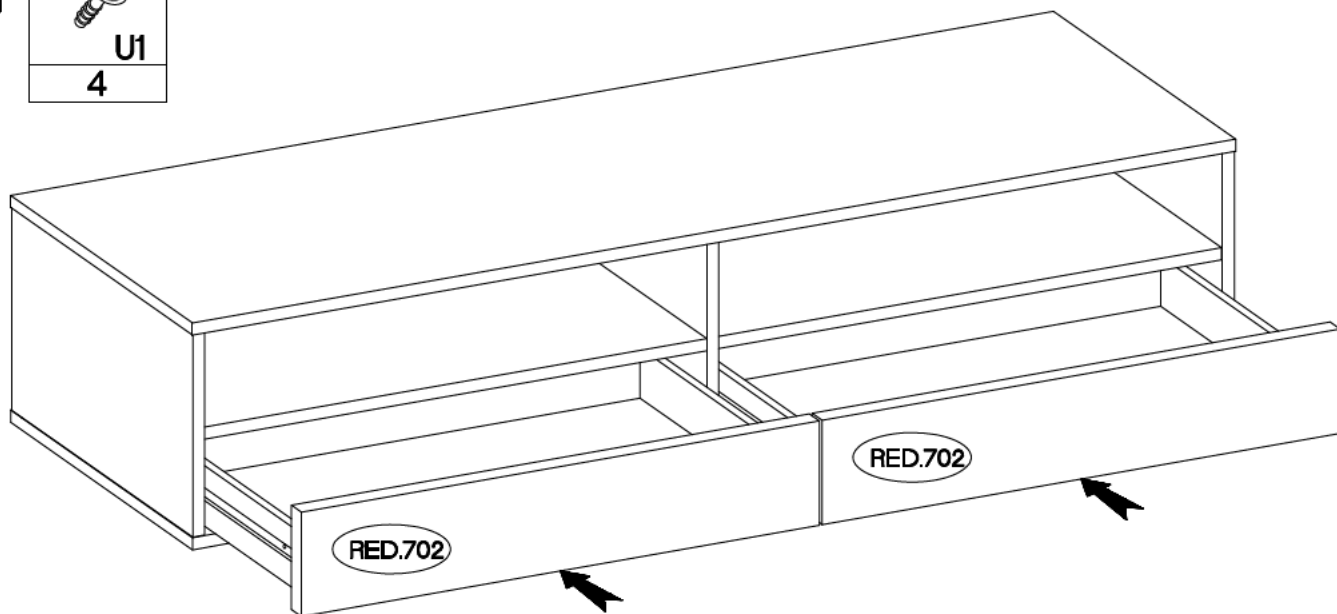


M4x9mm

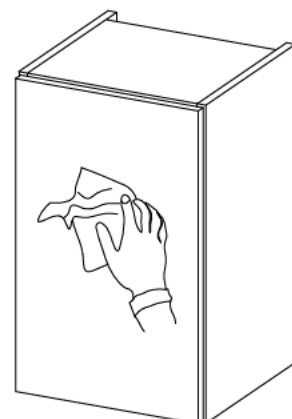




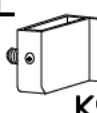
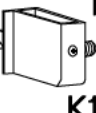





U1

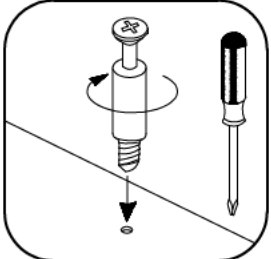
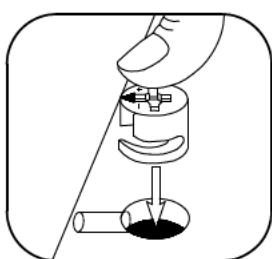
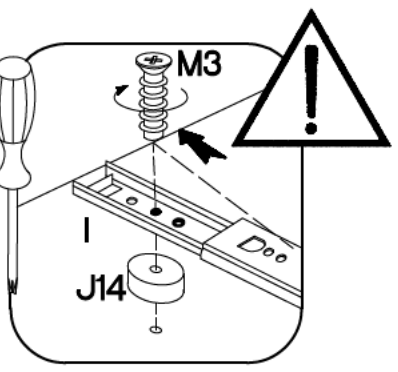
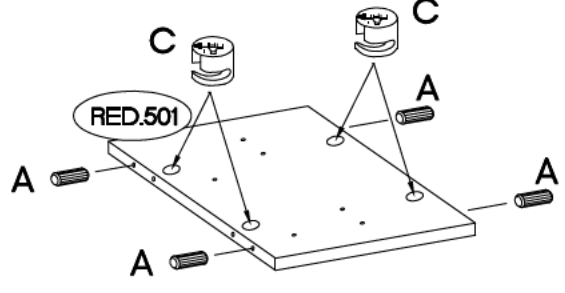
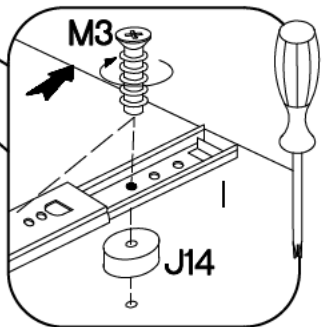
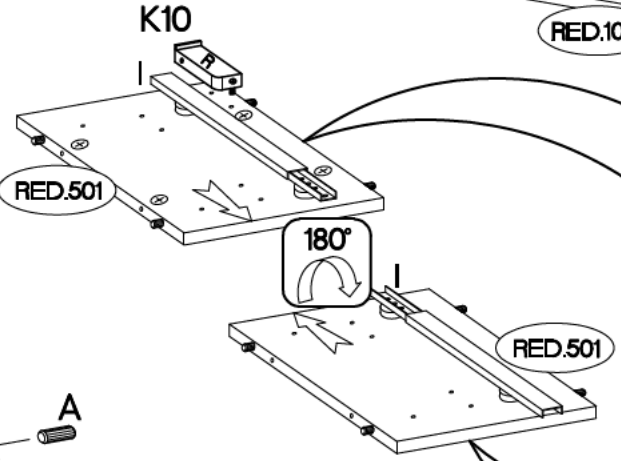
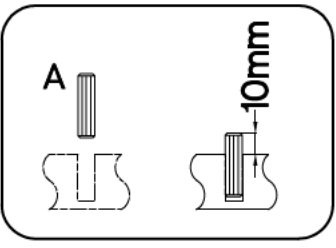
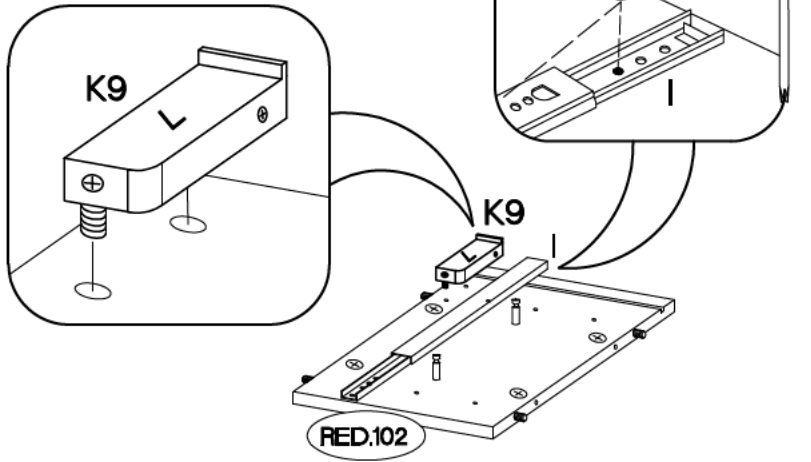
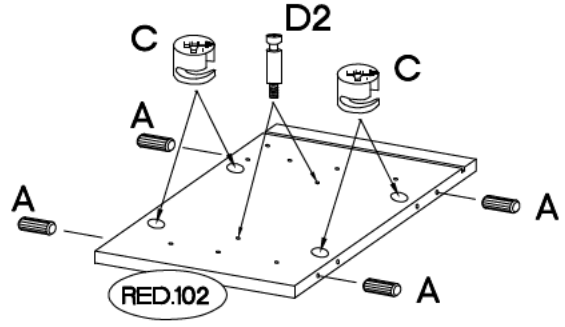
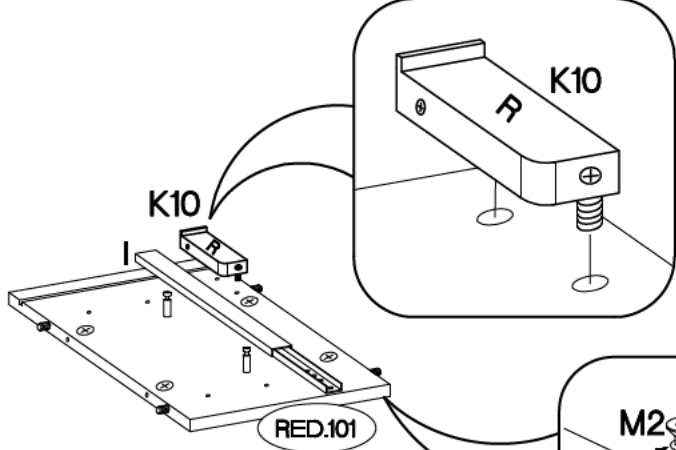
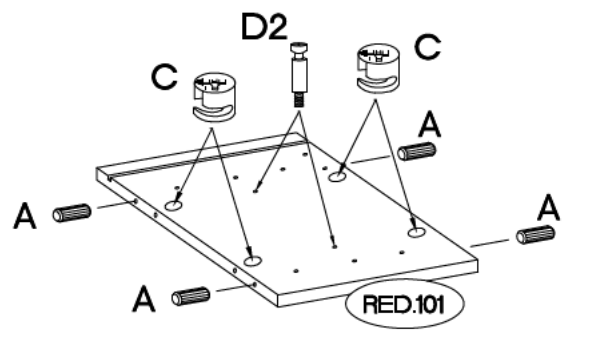
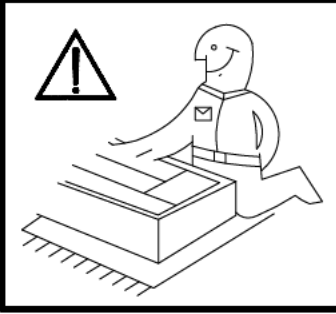
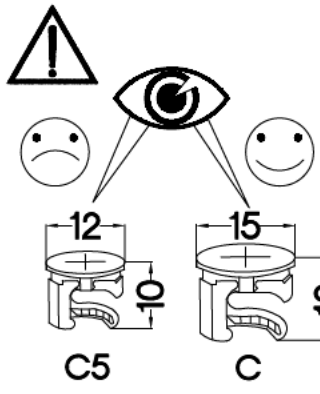
4




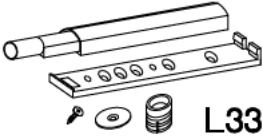



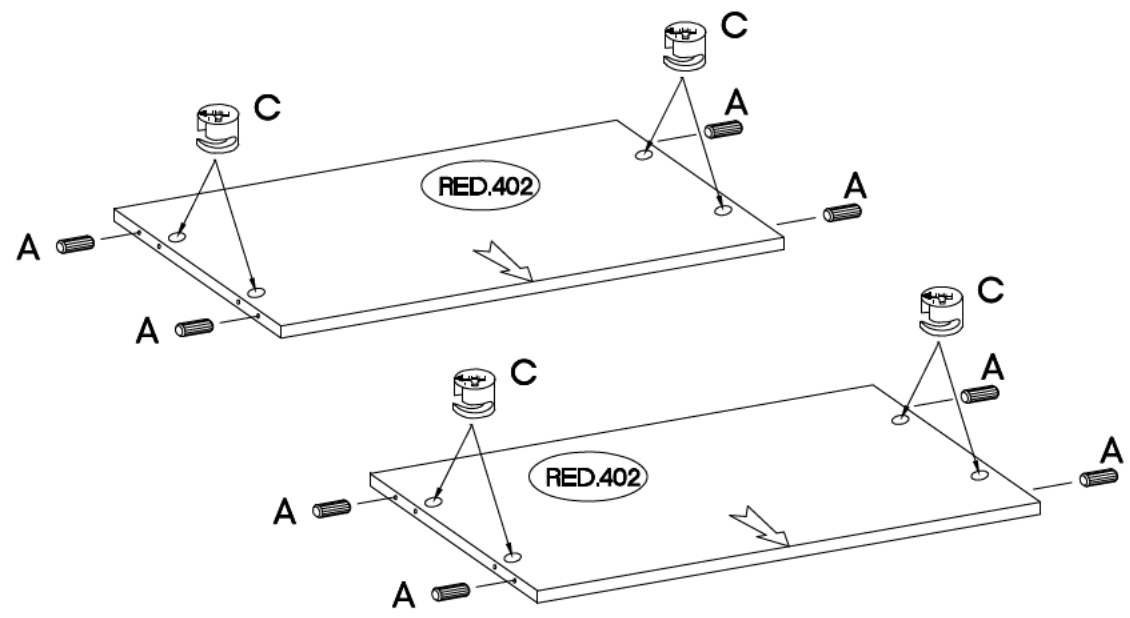
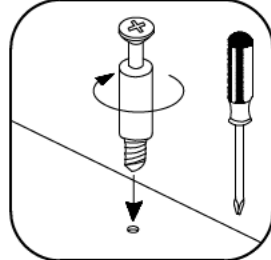
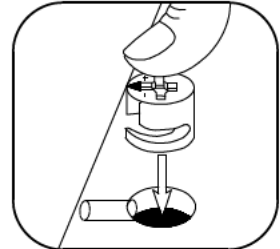
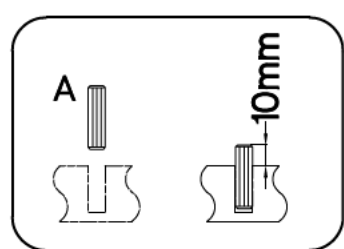
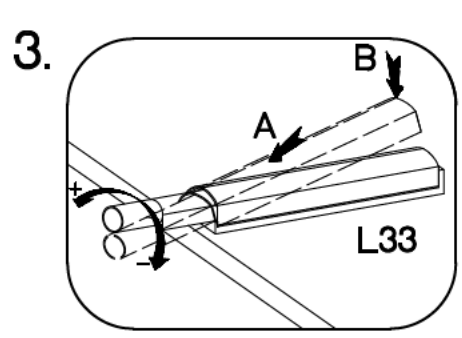
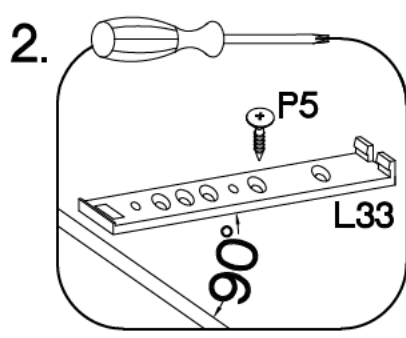
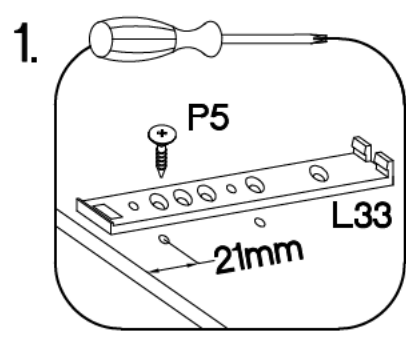
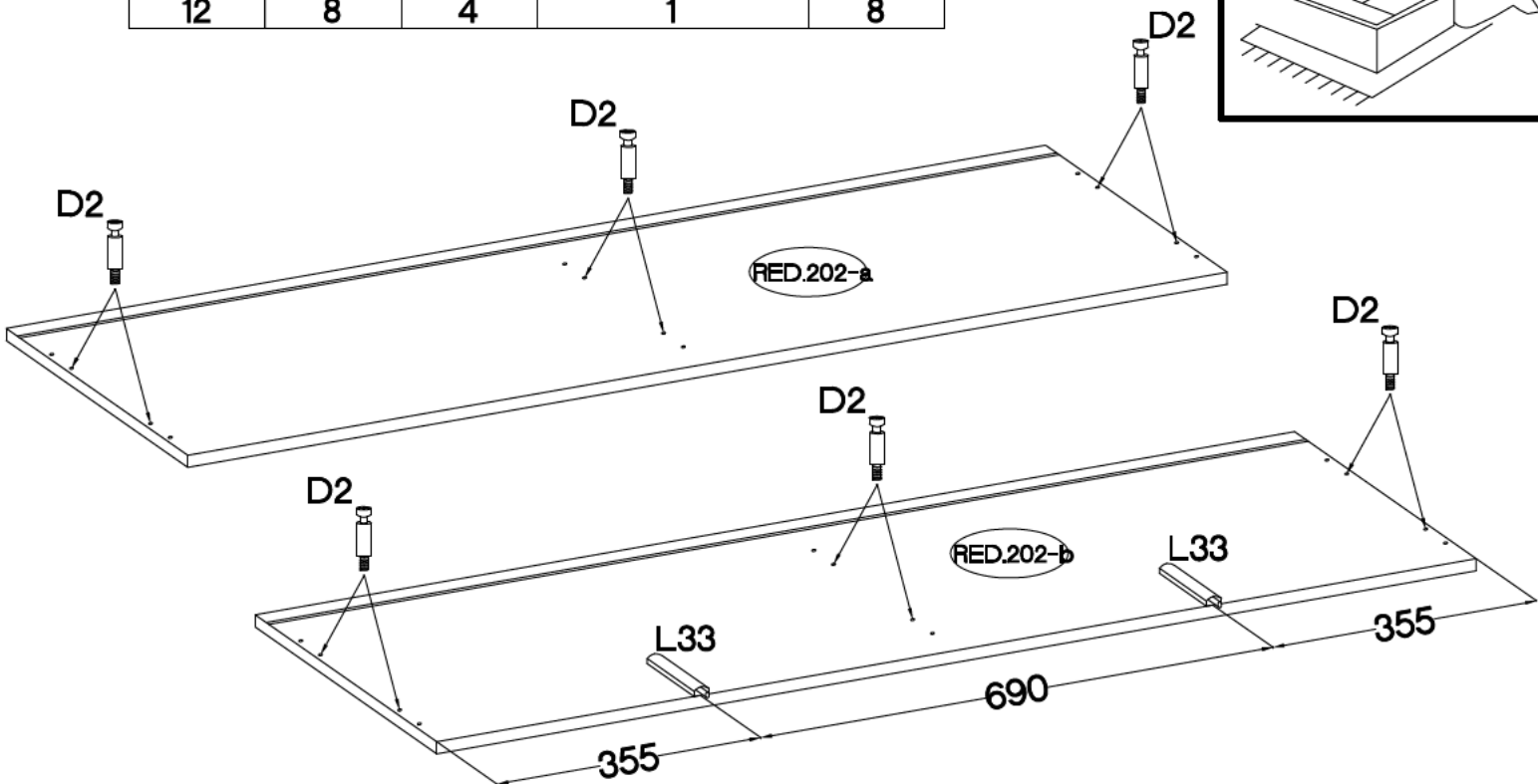
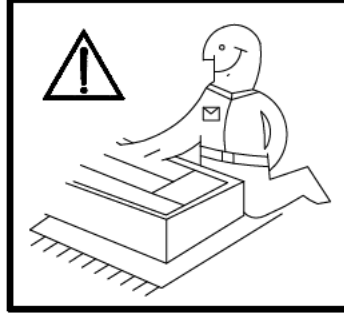
VARIANT HIGH GLOSS



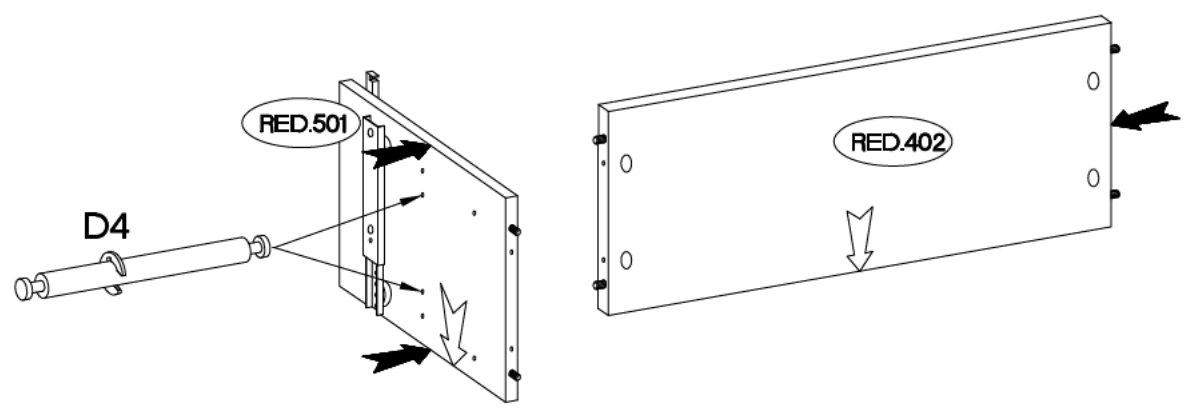
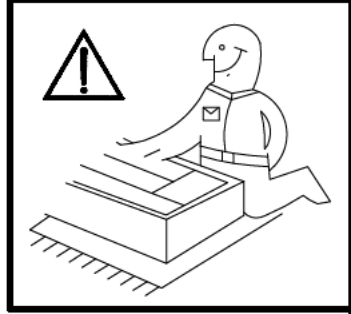
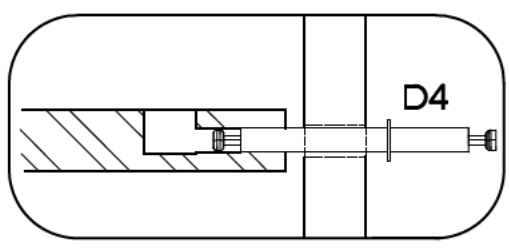
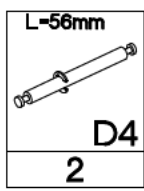
$\pm 8 \times 30 \text{mm}$  A	$\pm 5/12 \text{mm}$  C	L  K9	R  K10
12	12	1	2
L=20mm  D2	17/246mm  I	$\pm 6,3 \times 13 \text{mm}$  M2	$\pm 6,3 \times 20 \text{mm}$  M3
4	2	4	4
			$\pm 20/8 \text{mm}$  J14
		4	4



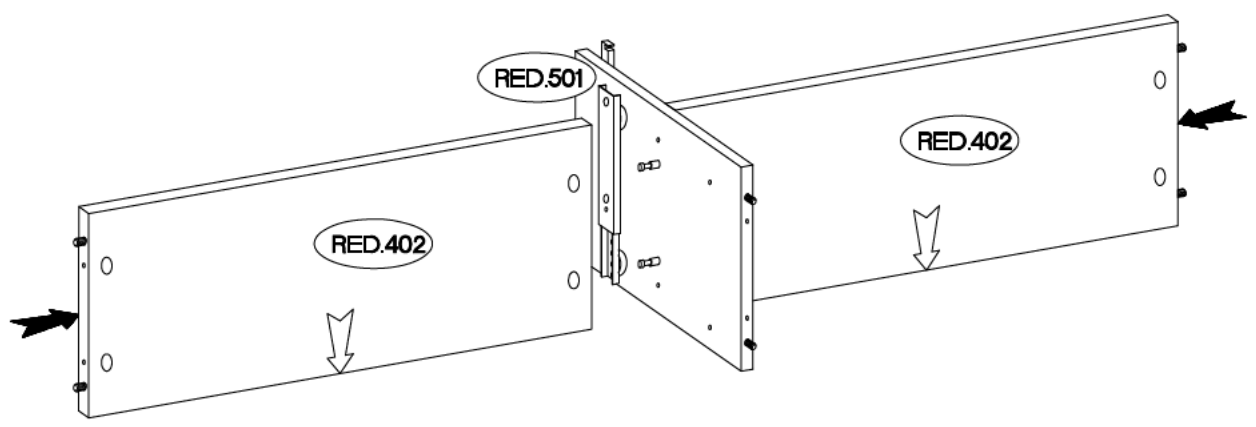
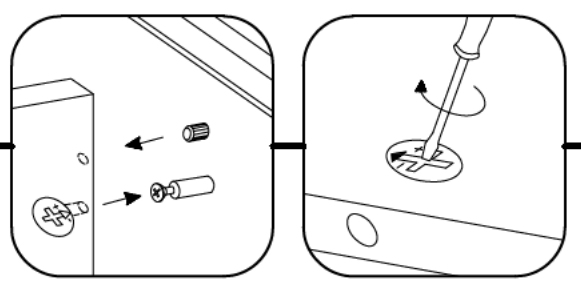
L=20mm  D2 12	15/12mm  C 8	3.5x13mm  P5 4	 L33 1	8x30mm  A 8
--	---	---	--	--



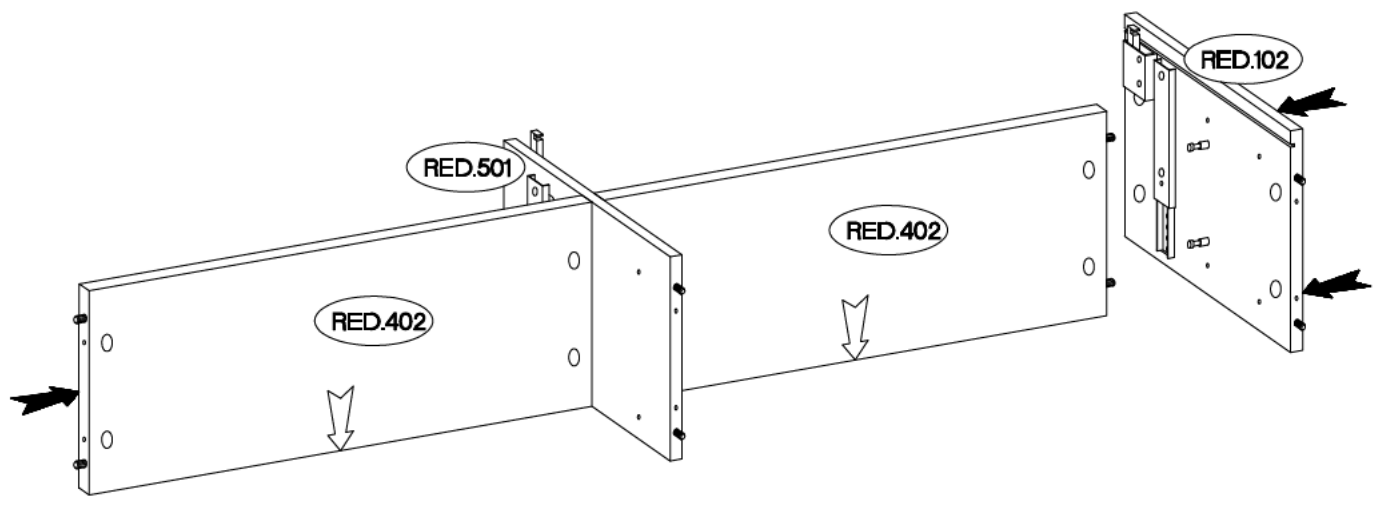
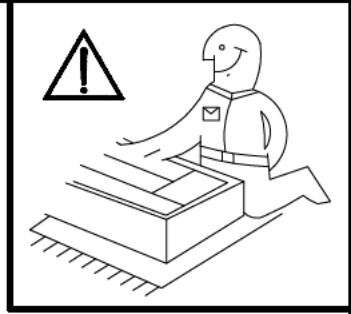
21



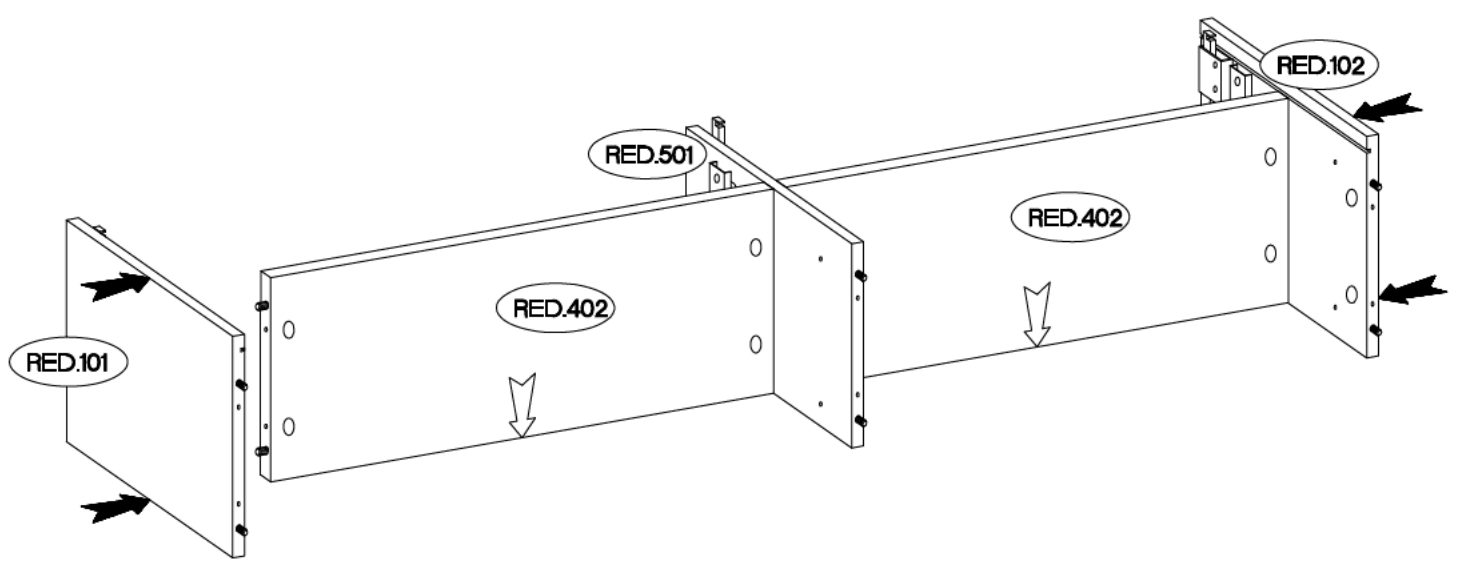
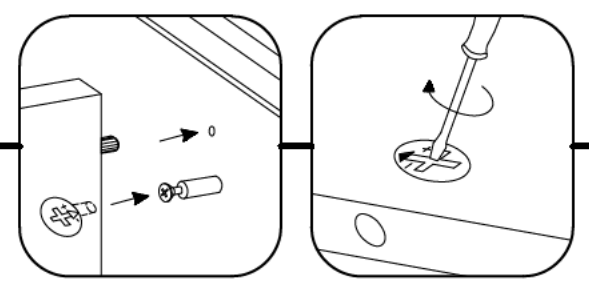
22



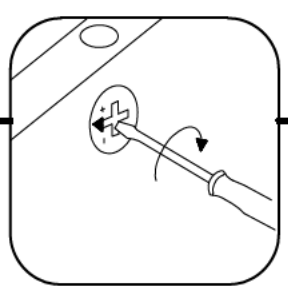
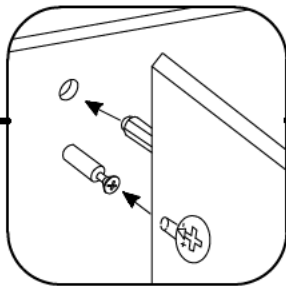
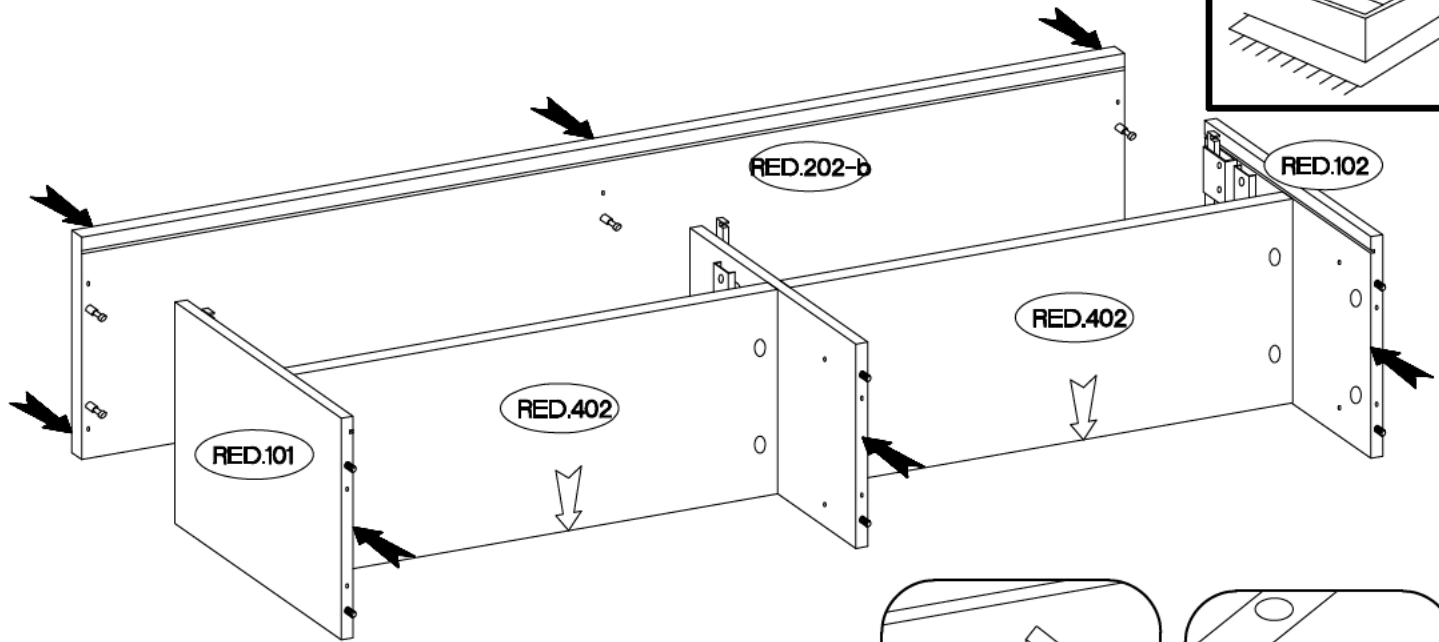
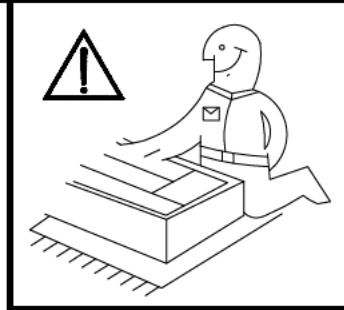
23



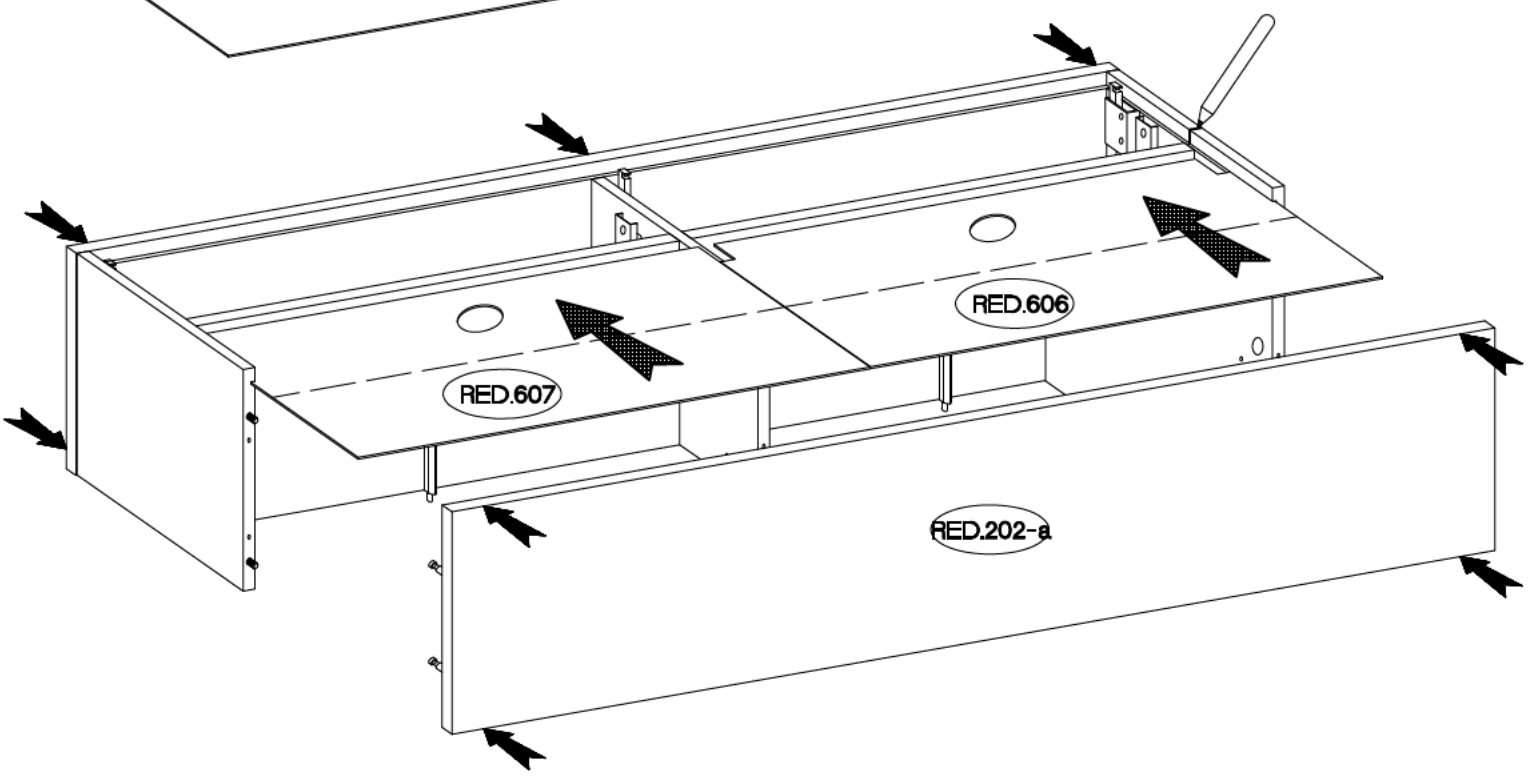
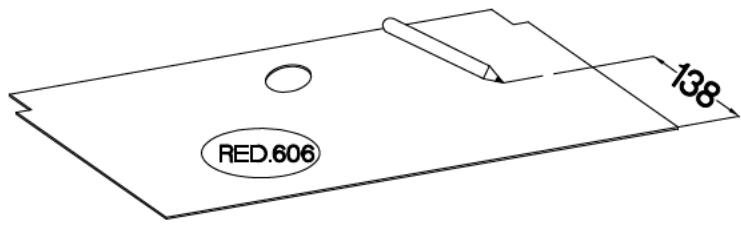
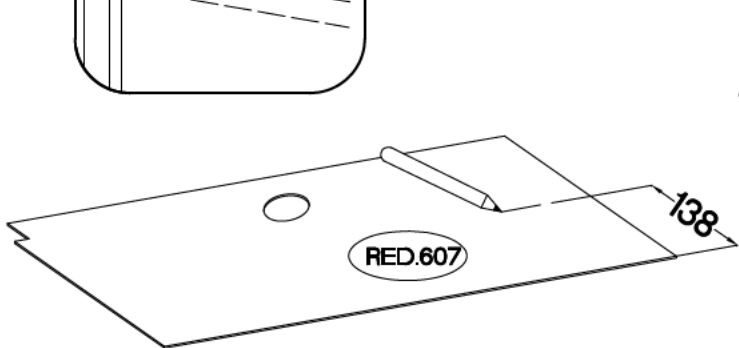
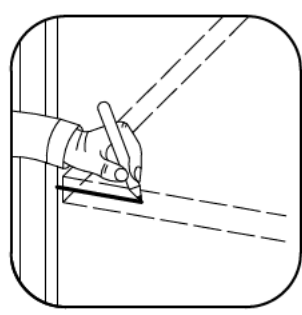
24




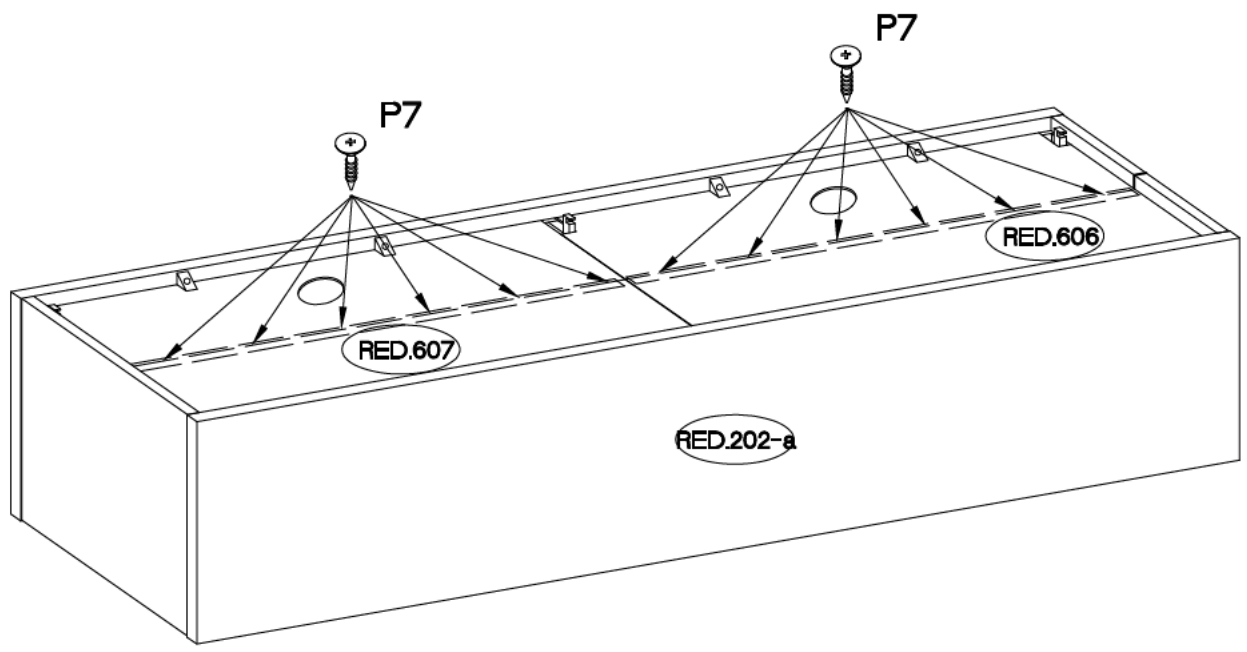
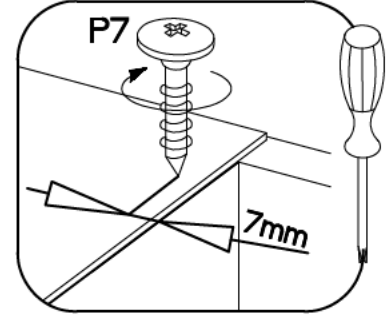
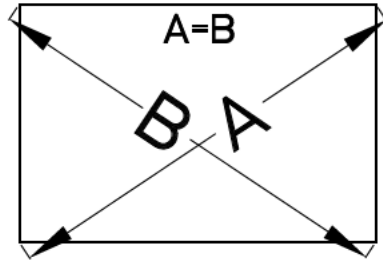
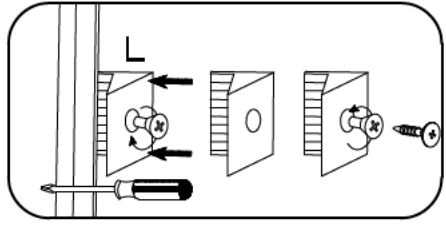
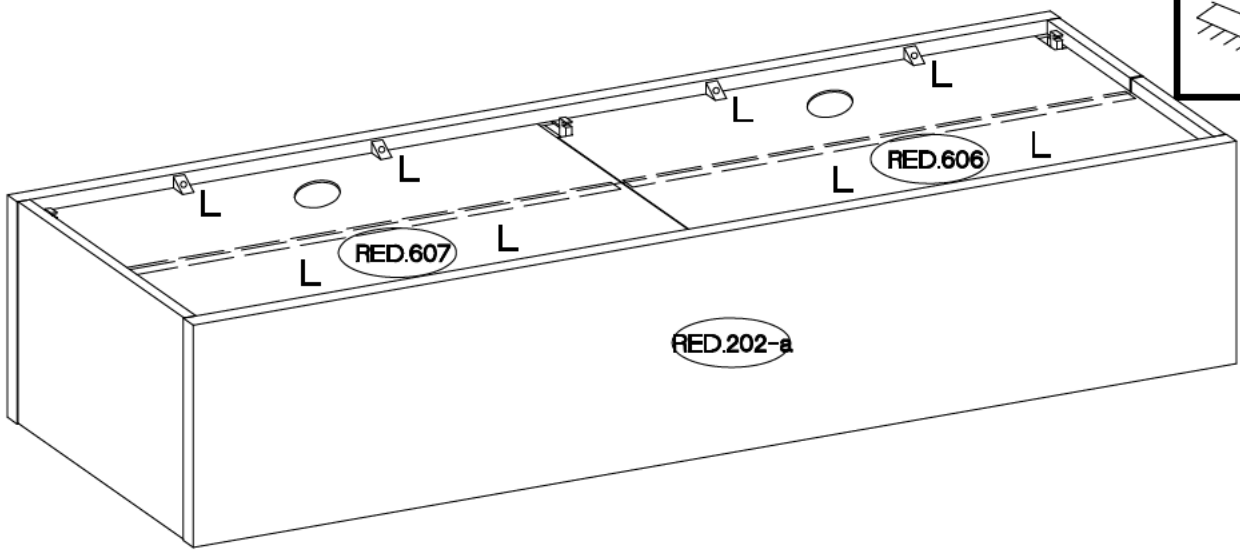
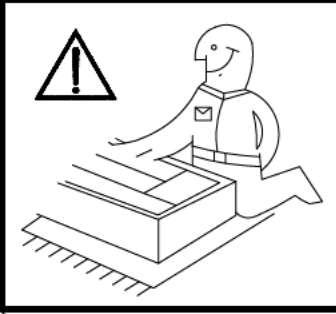
25

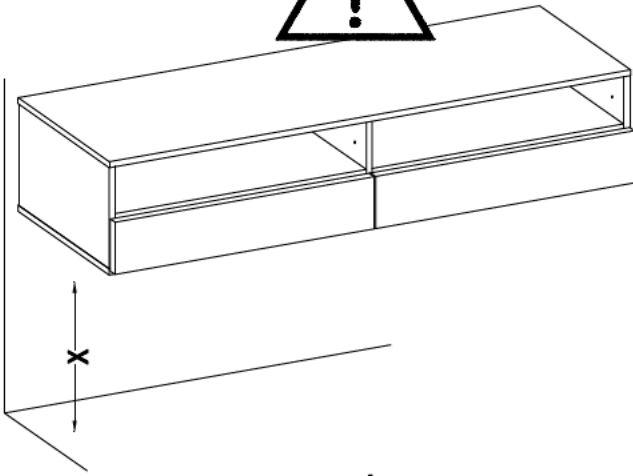


26

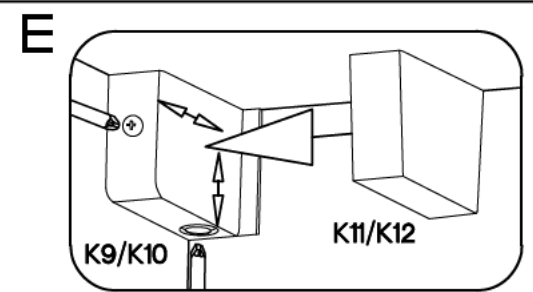
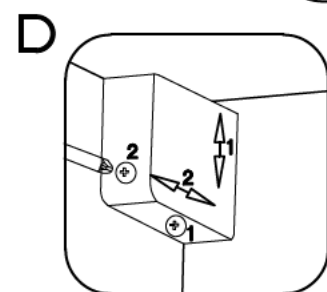
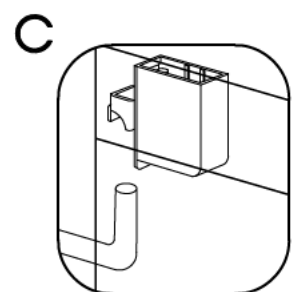
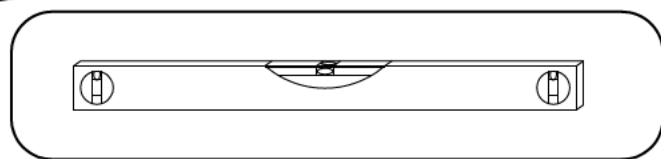
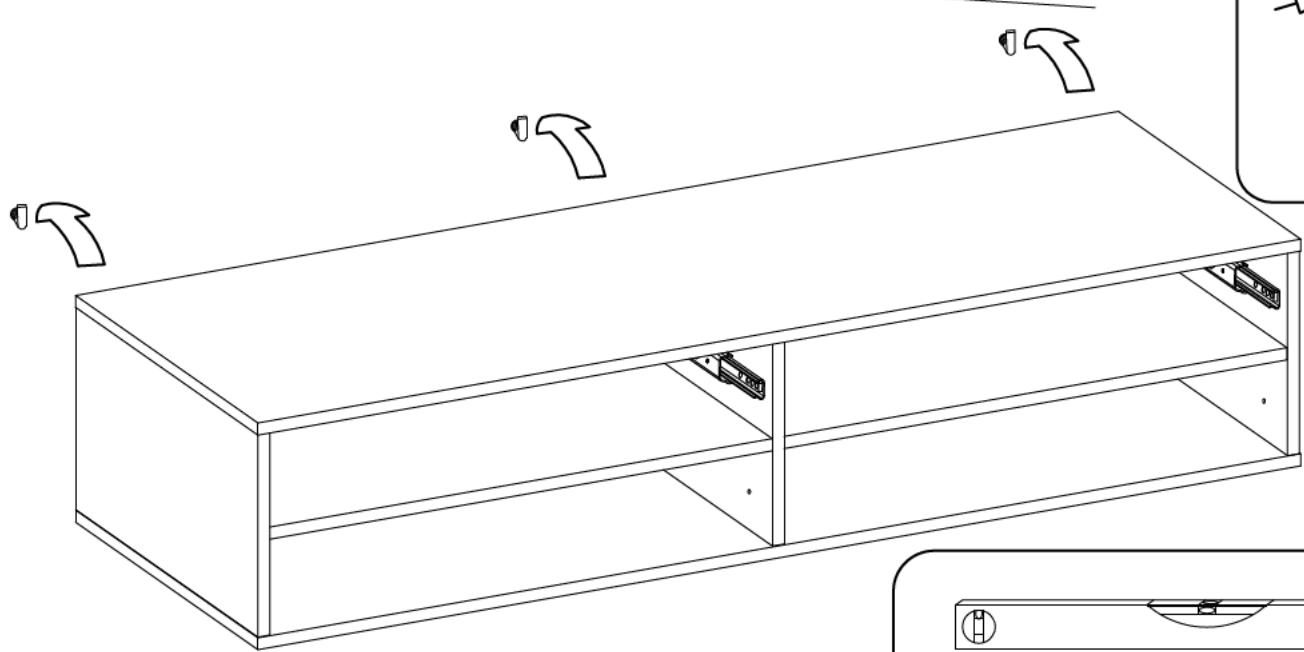
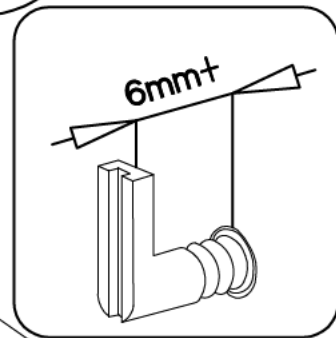
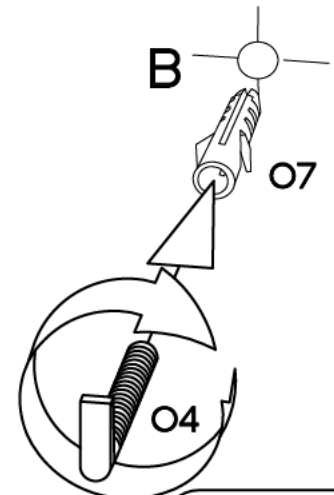
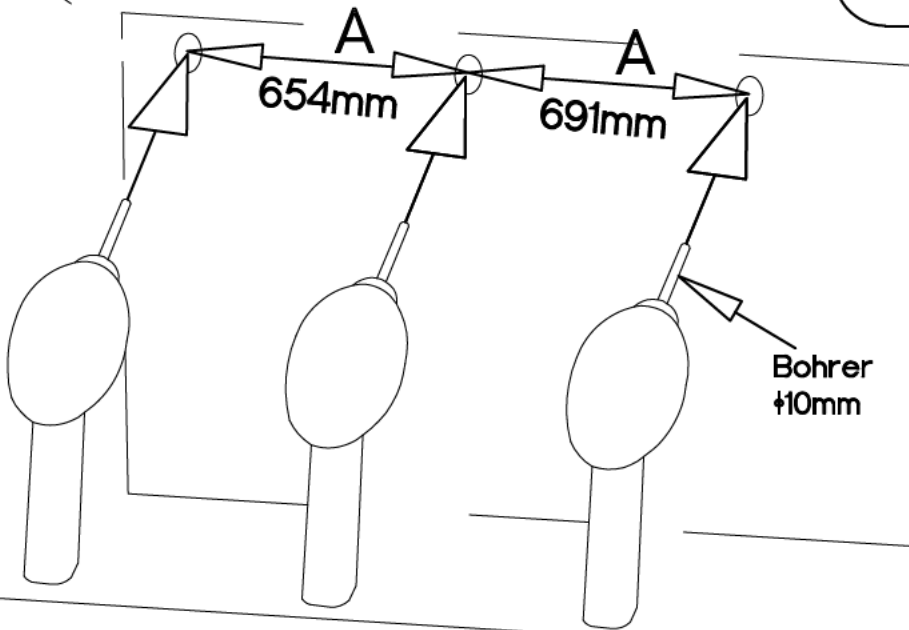
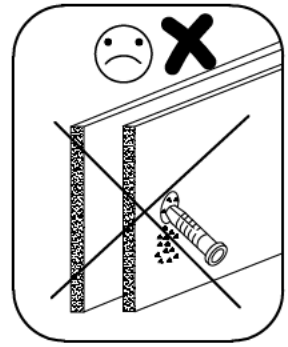
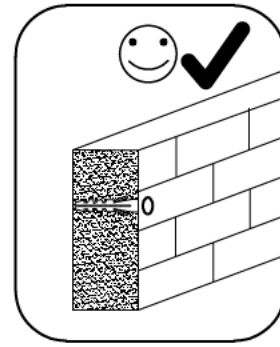


	$\pm 3.0 \times 20 \text{mm}$
L	P7
8	10-15

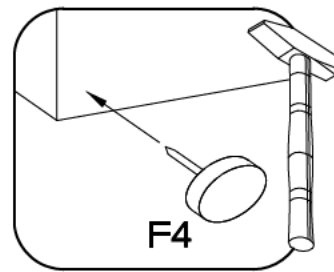
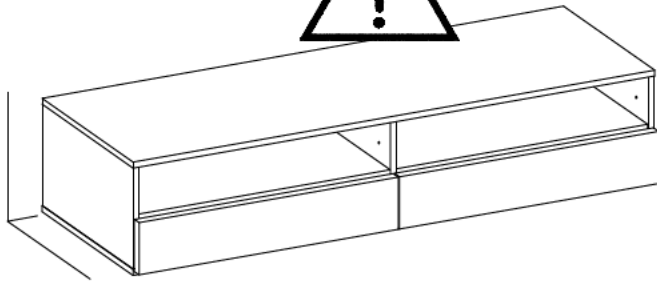





$\varnothing 10 \times 50 \text{mm}$  O7 3	$6,5/68 \text{mm}$  O4 3	L  K11 1	R  K12 2
---	-----------------------------------	-------------------	-------------------

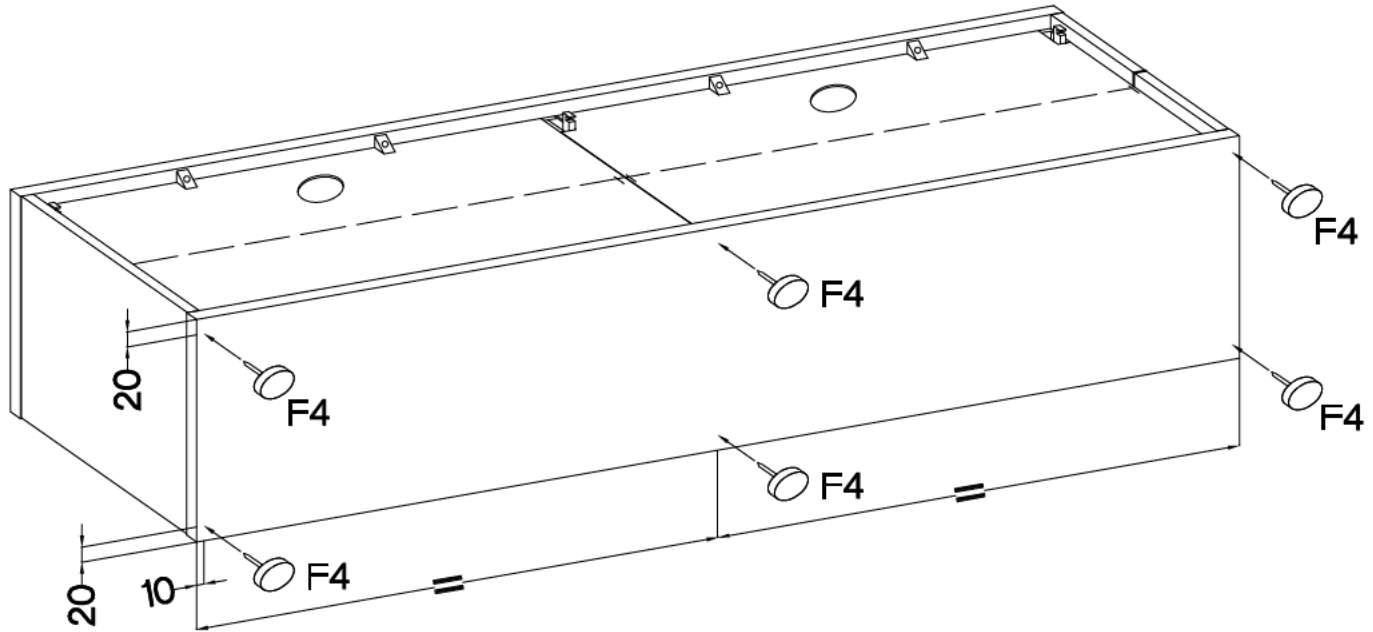


29

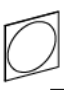



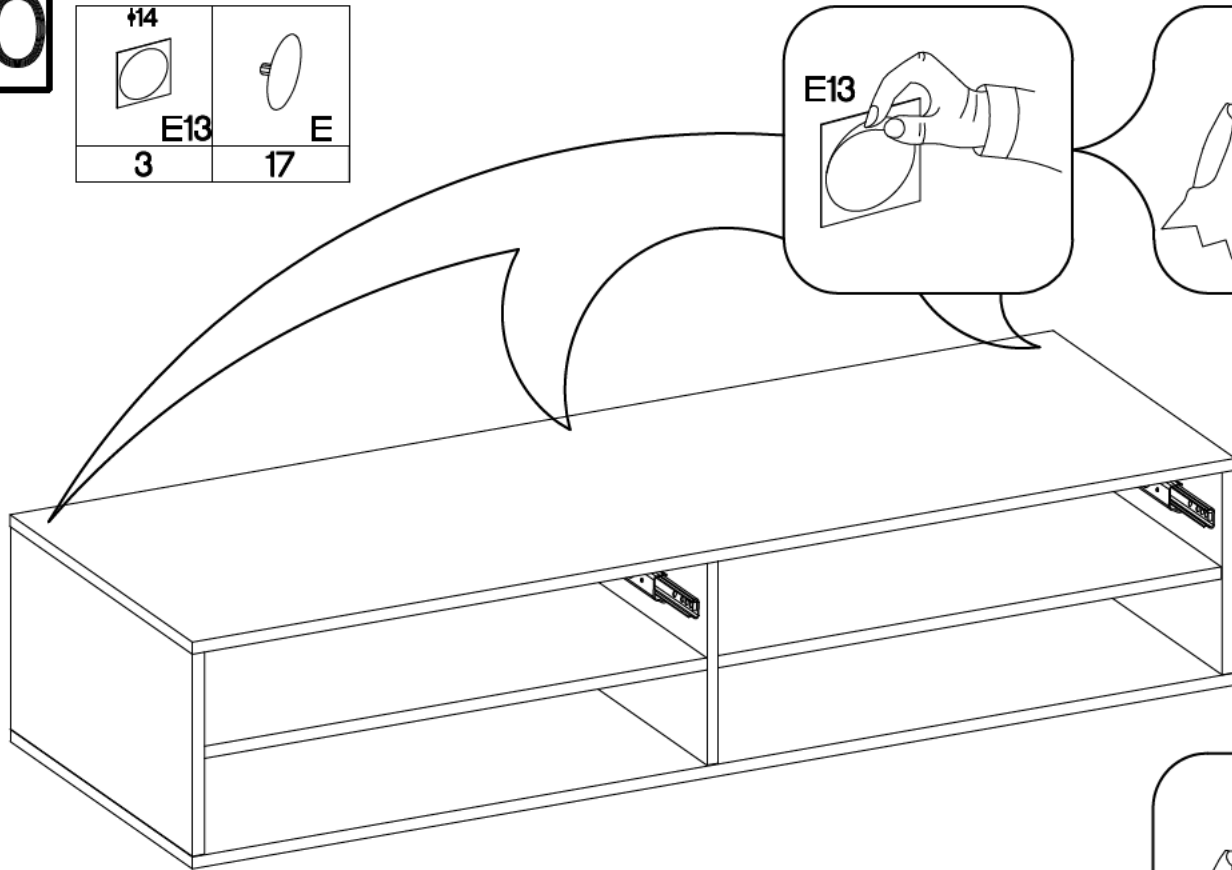
F4

†15x5mm

F4
6



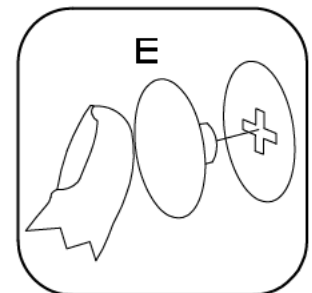
30

†14		
E13	3	E
	17	



E13

E13



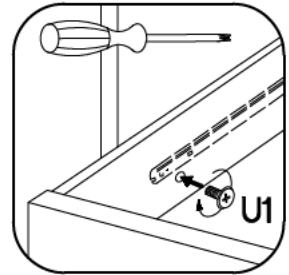
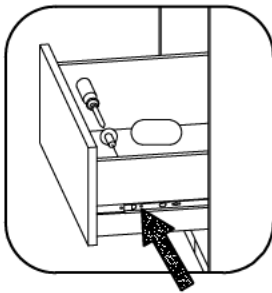
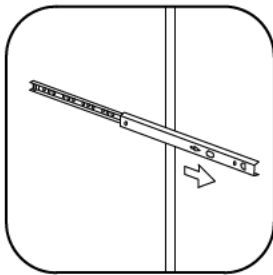
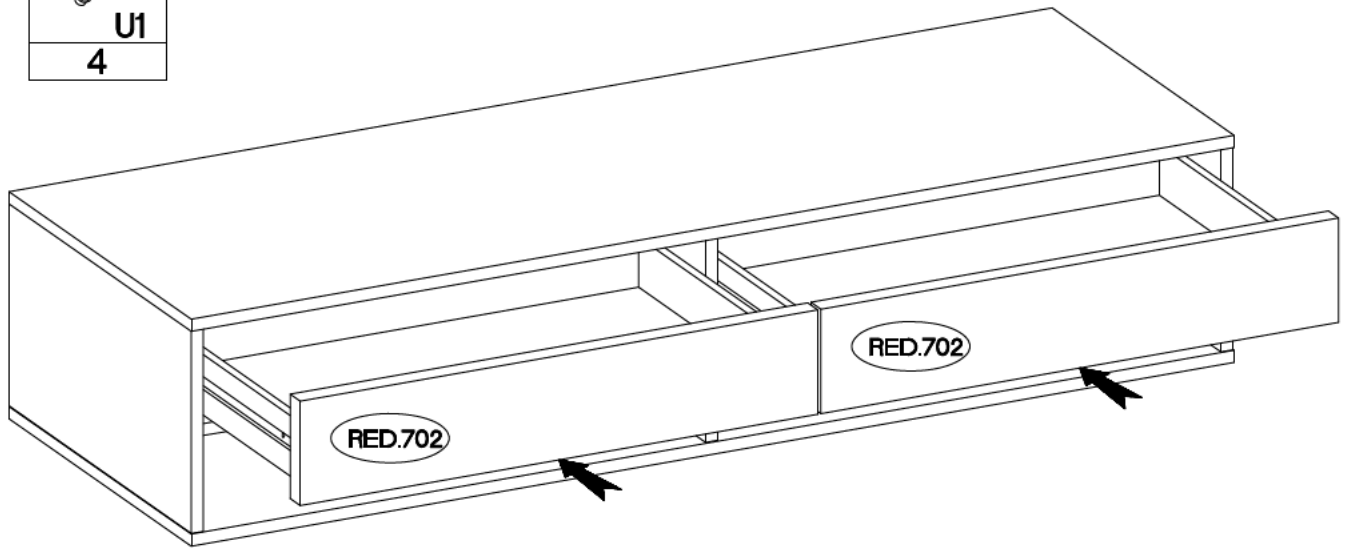
E

M4x9mm



U1

4



VARIANT HIGH GLOSS

