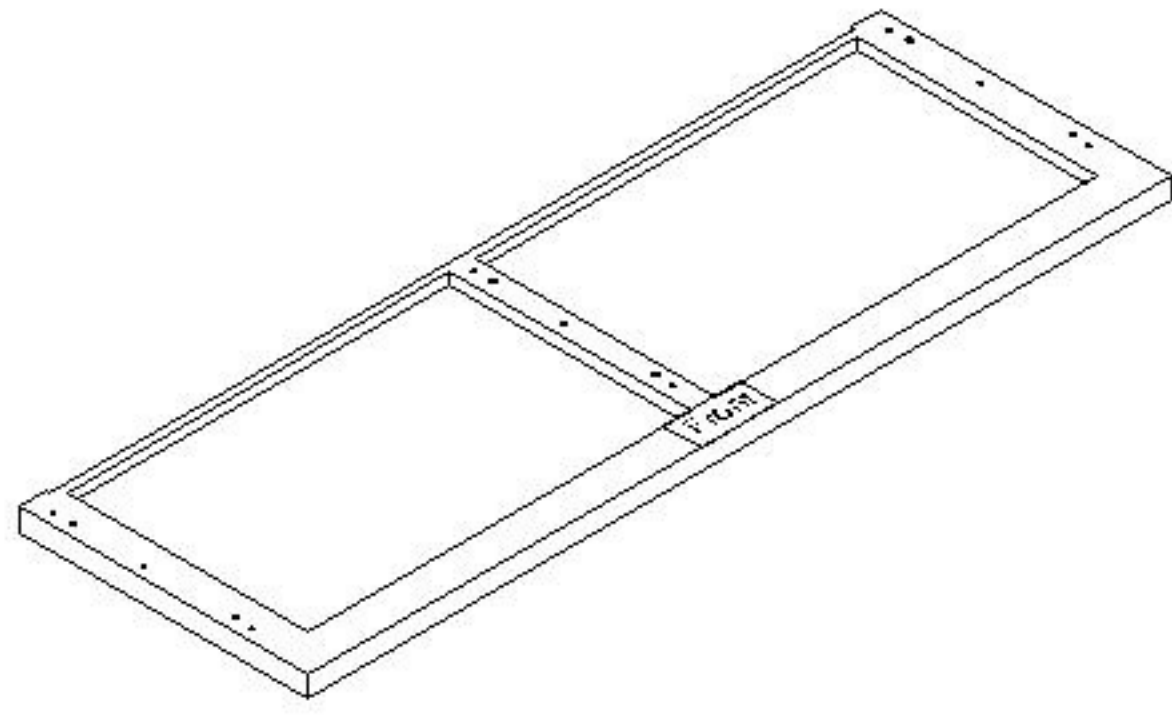


# ASSEMBLY INSTRUCTION

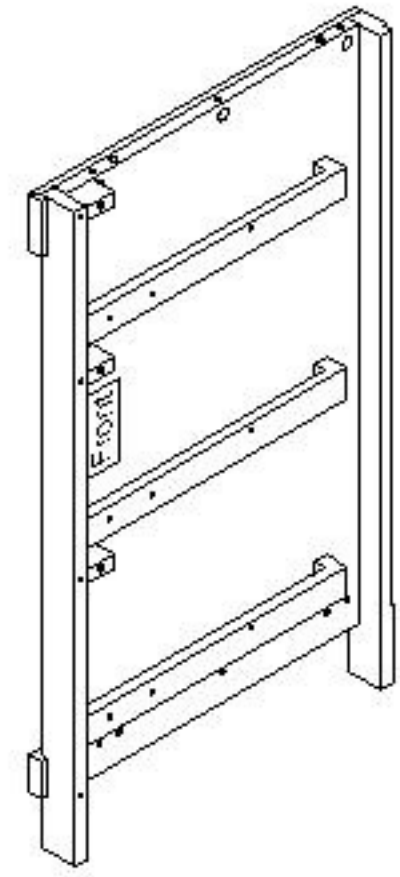
## 6-DRAWER DRESSER

**A** Top Panel



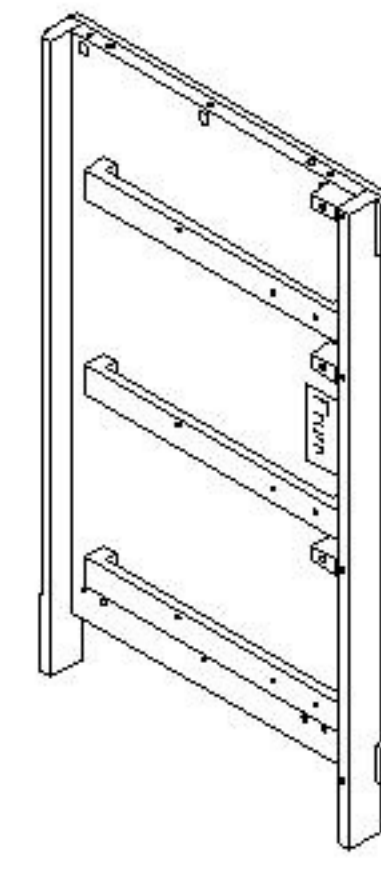
1pc

**B** Left Side Panel



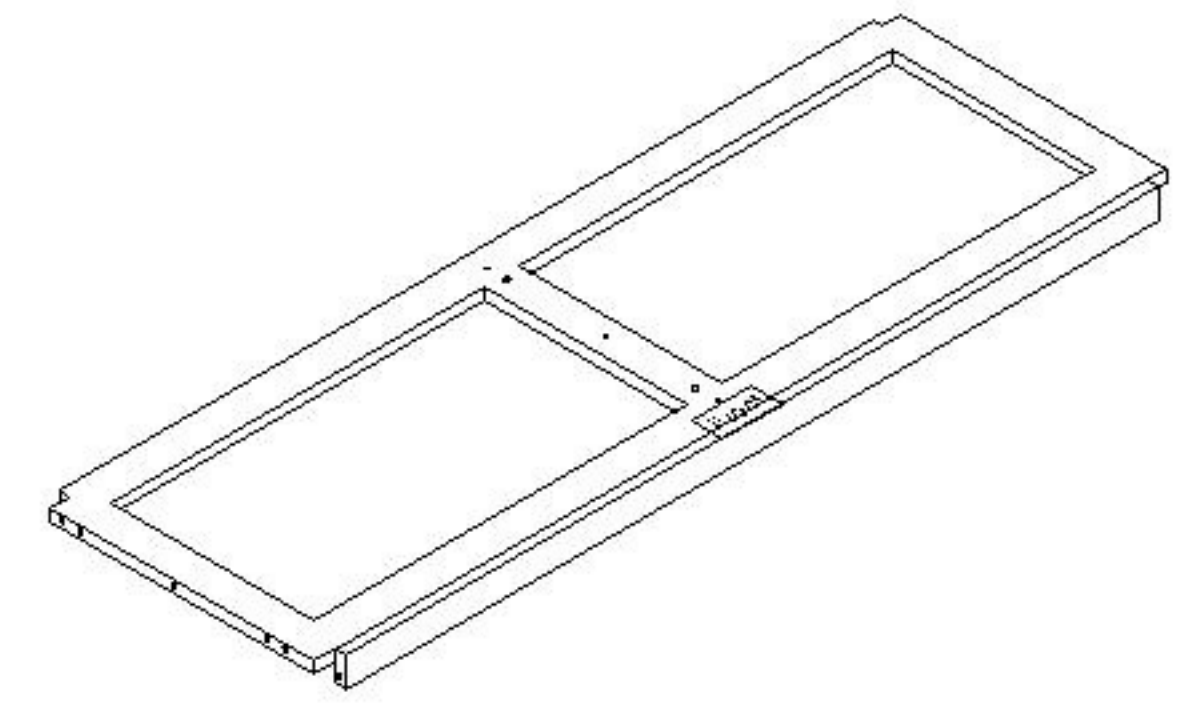
1pc

**C** Right Side Panel



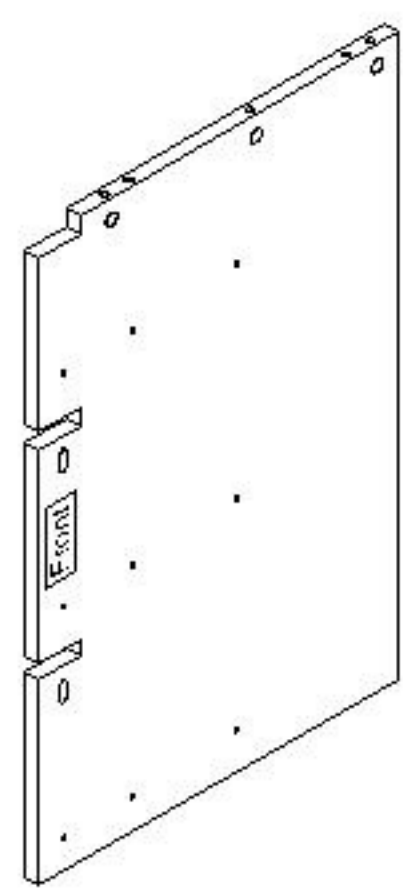
1pc

**D** Bottom Frame



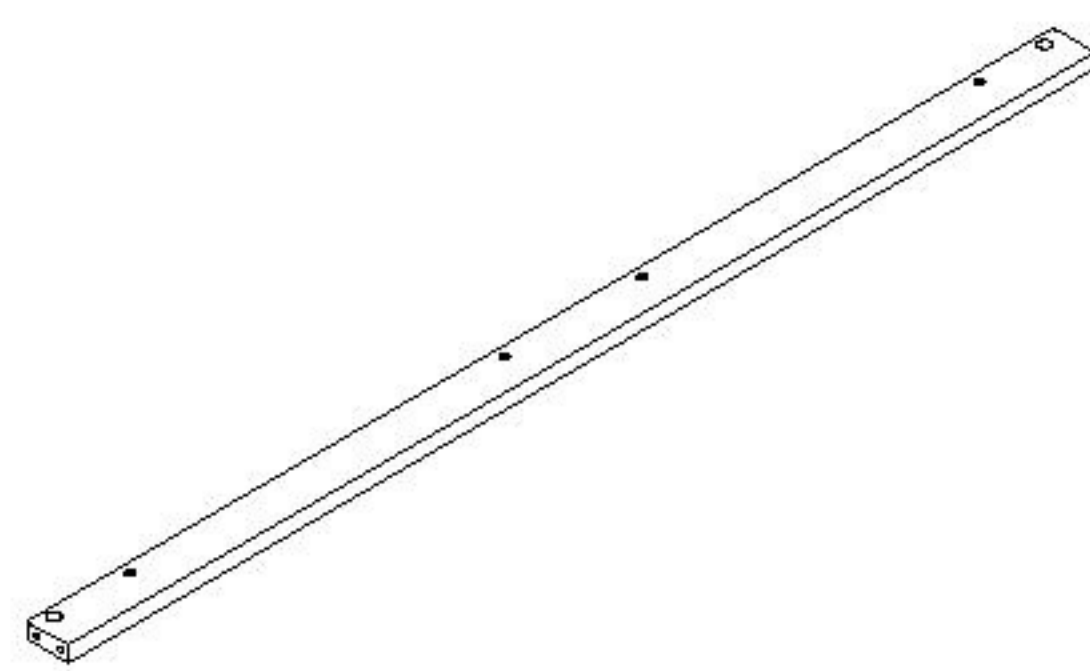
1pc

**E** Partition



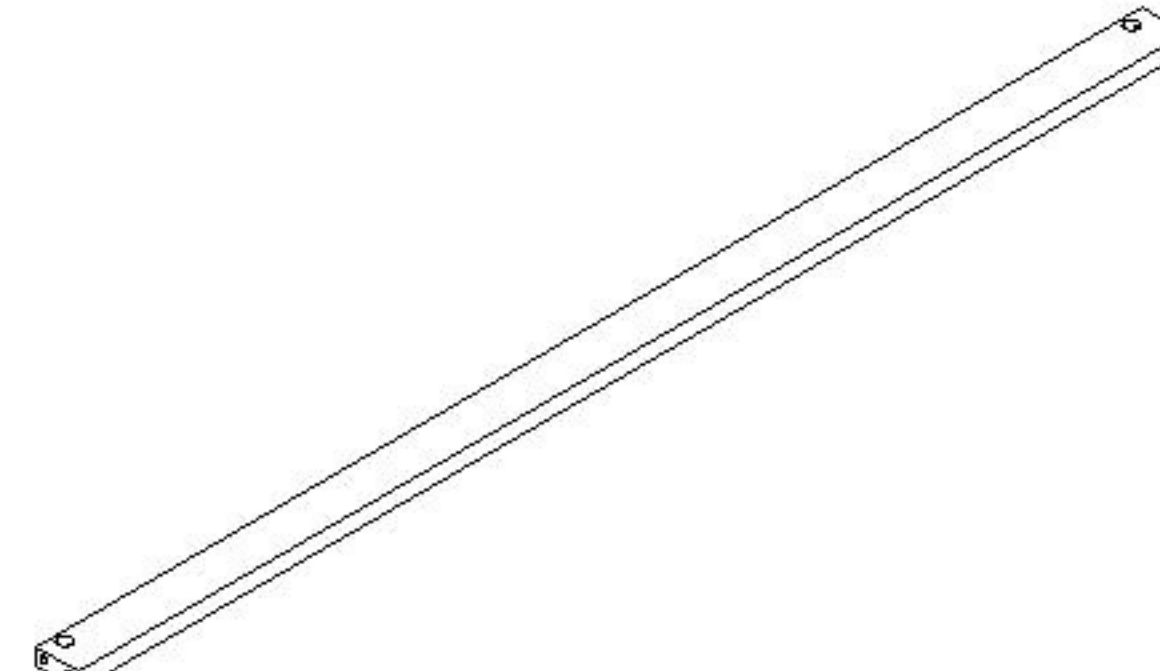
1pc

**F** Top Bar



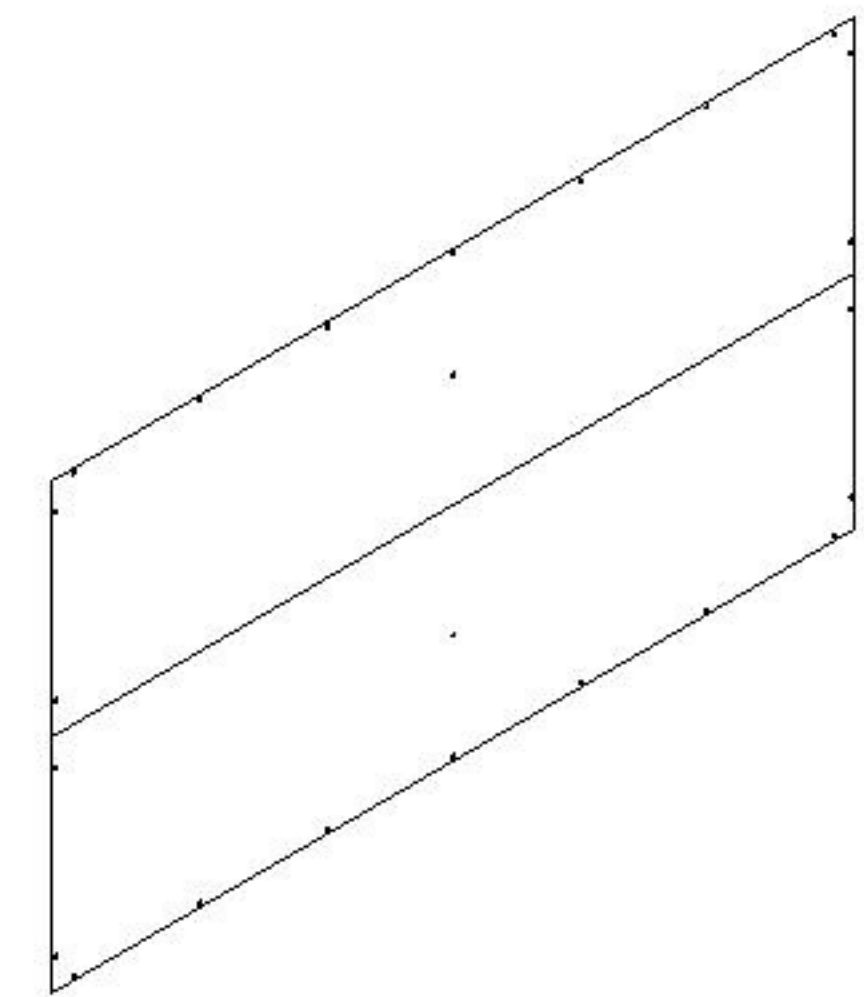
1pc

**G** Center Bar



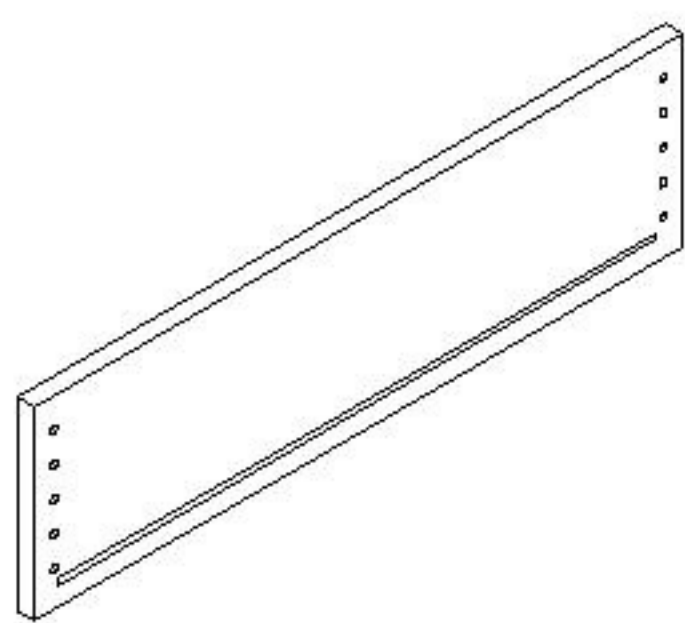
2pcs

**H** Back Plywood



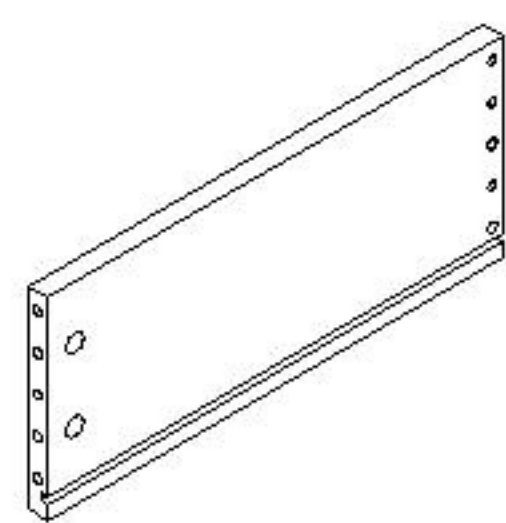
1pc

**I** Small Drawer Front



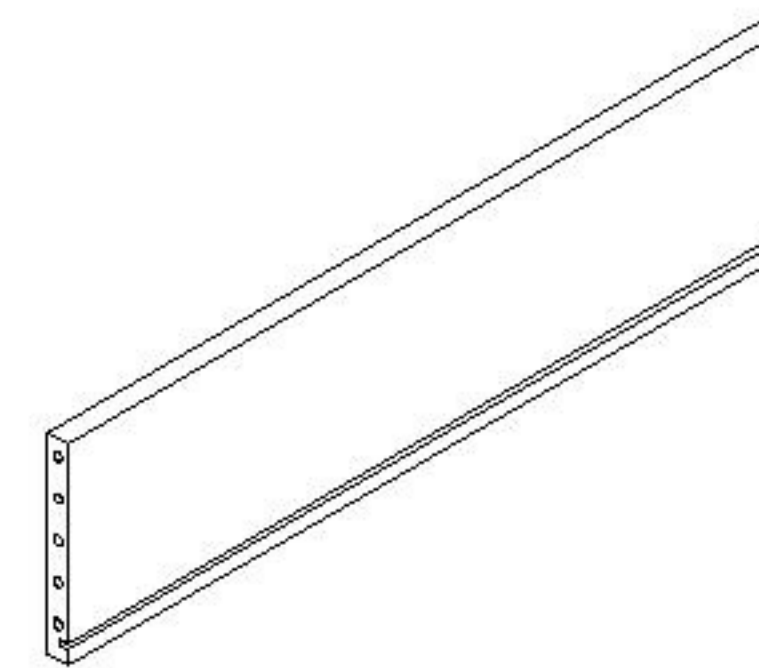
2pcs

**J** Left Small Drawer Side



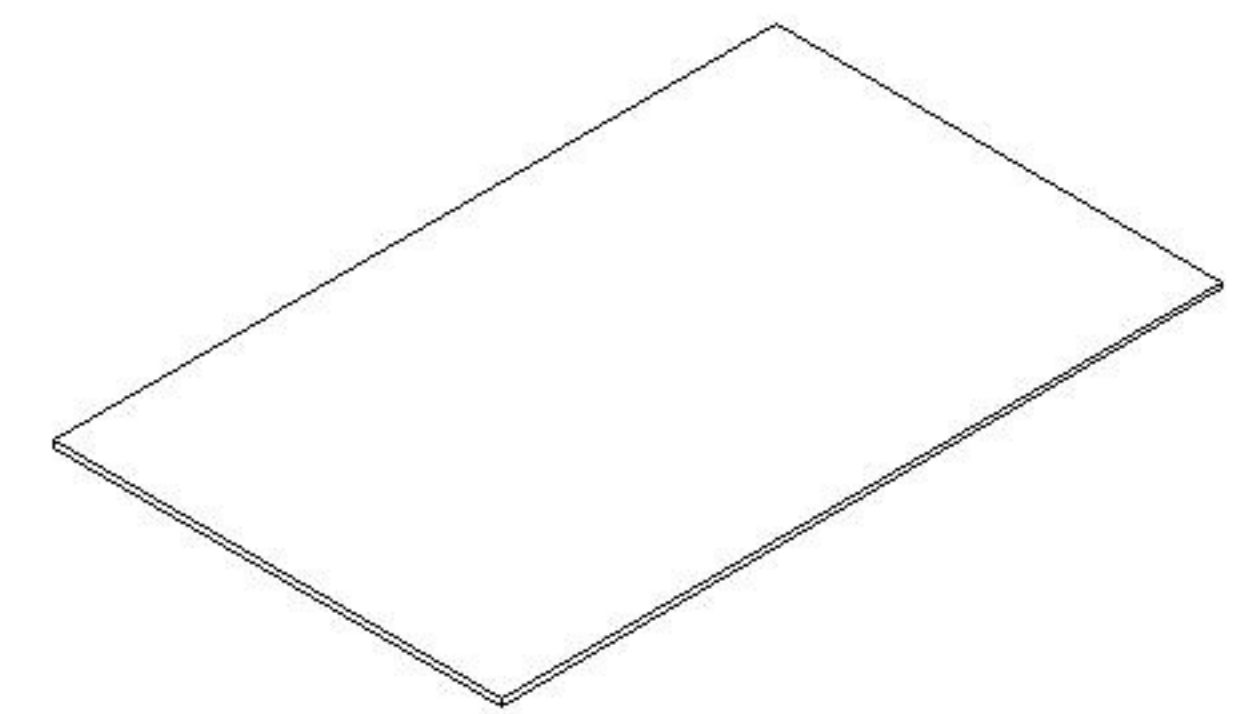
2pcs

**K** Small Drawer Back



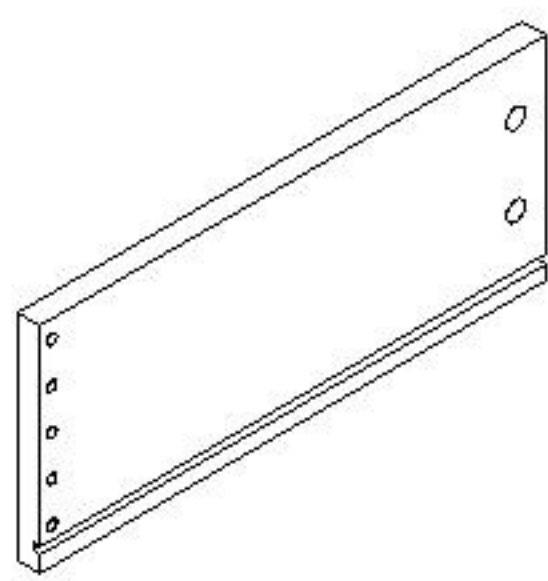
2pcs

**L** Drawer Base



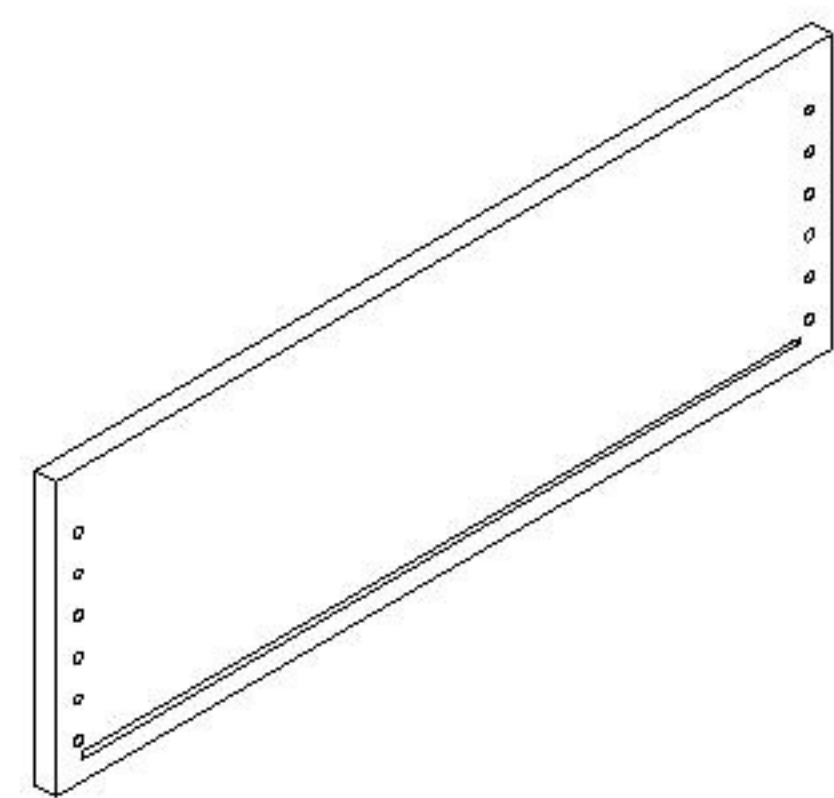
6pcs

**M** Right Small Drawer Side



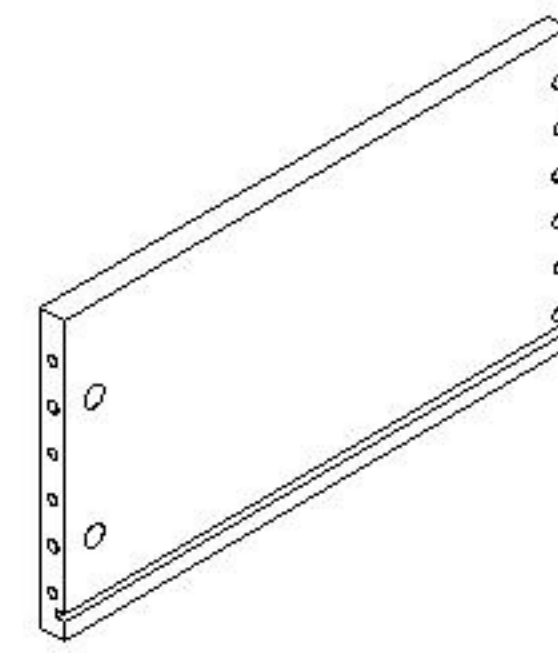
2pcs

**N** Big Drawer Front



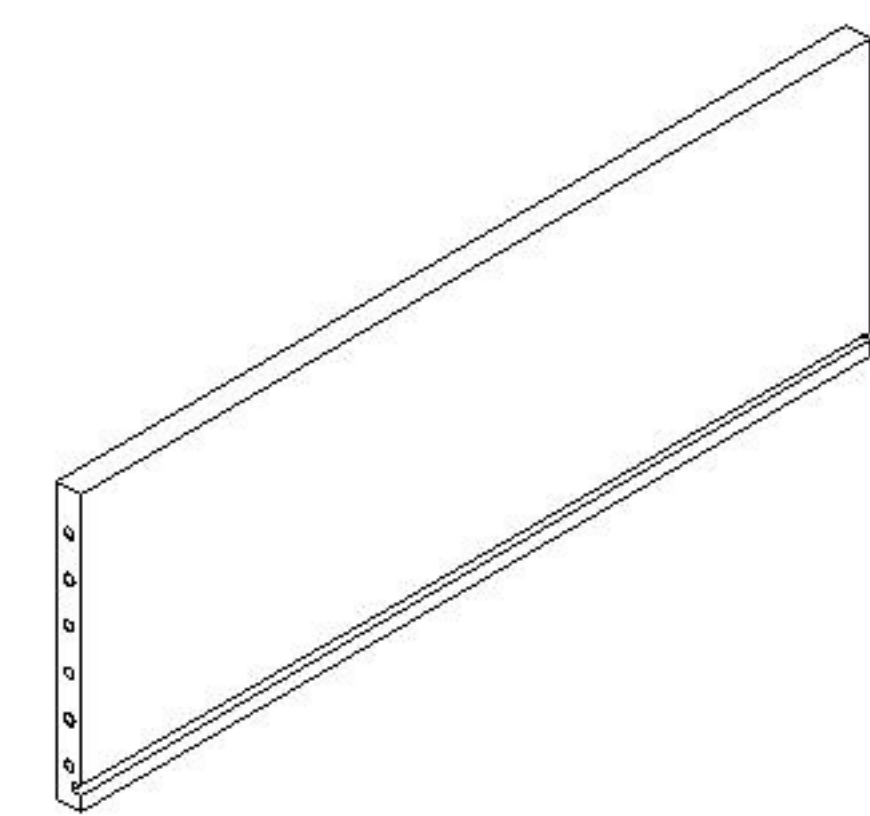
4pcs

**O** Left Big Drawer Side



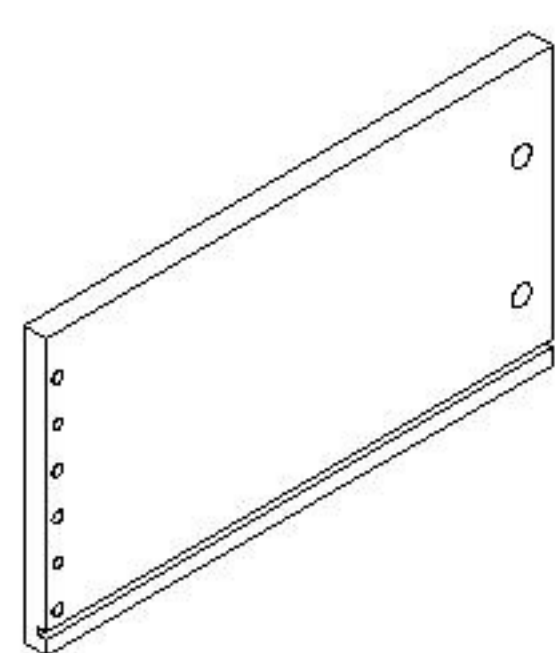
4pcs

**P** Big Drawer Back Side



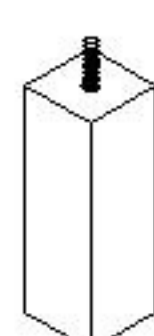
4pcs

**Q** Right Big Drawer Side



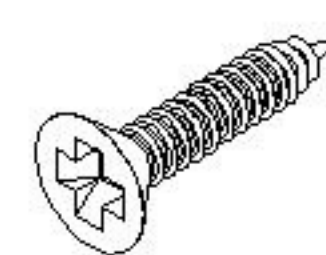
4pcs

**R** Support Leg



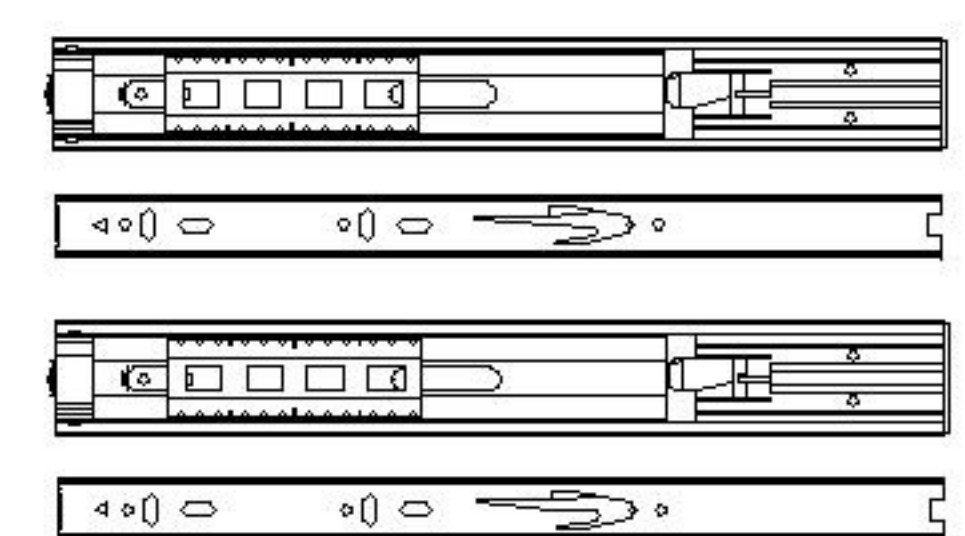
1pc

**S** Screw  
M3.5 x 16mm



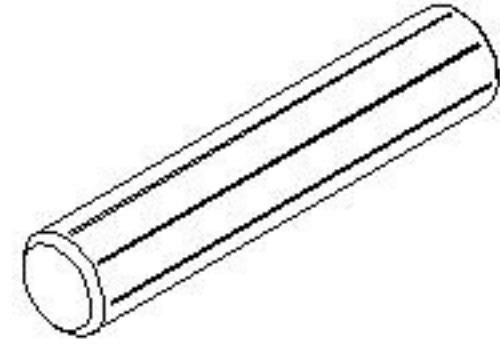
72pcs

**T** Runner  
350mm



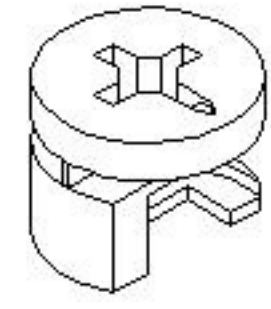
6sets

**U** Dowel  
M8 x 35mm



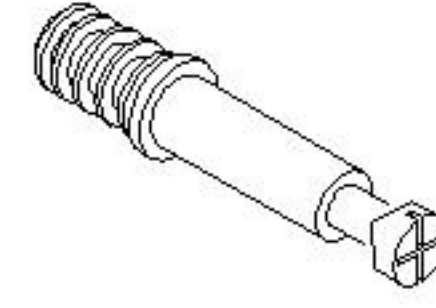
18pcs

**V** Cam Lock  
15 x 12mm



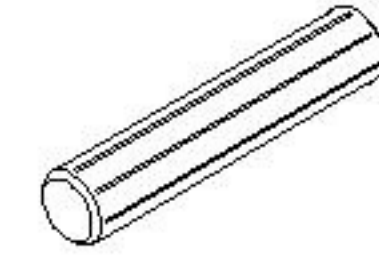
71pcs

**W** Cam Bolt  
5 x 25mm



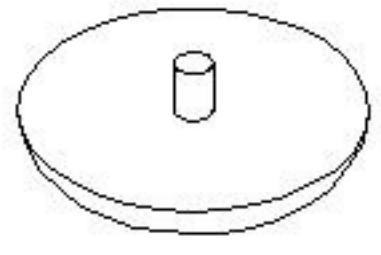
71pcs

**X** Dowel  
M6 x 30mm



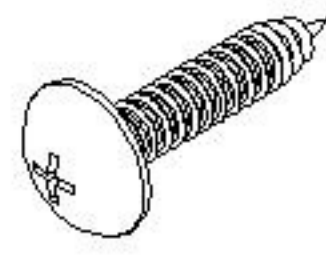
88pcs

**Y** Cam Lock Cover  
17 x 5mm



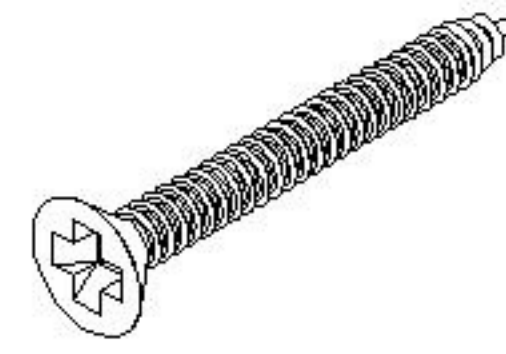
71pcs

**Z** Panhead Screw  
M4 x 16mm-Black



22pcs

**AA** Screw  
M4 x 32mm



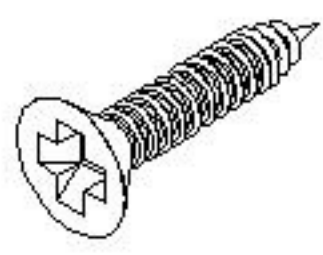
4pcs

**AB** Screw  
M4 x 38mm



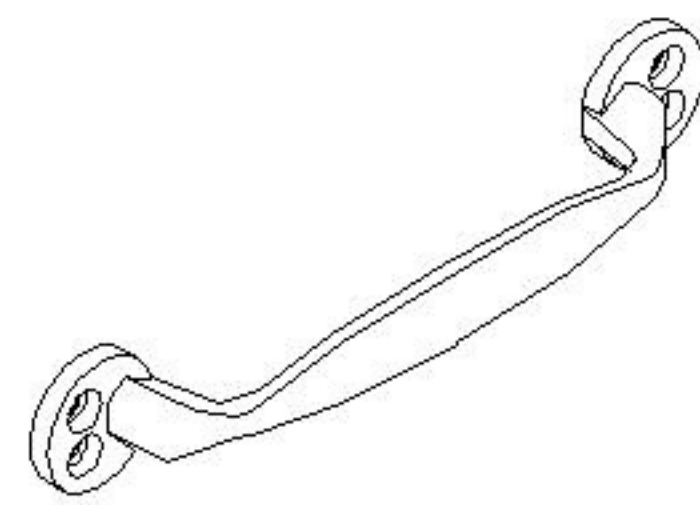
5pcs

**AC** Screw  
M4 x 16mm



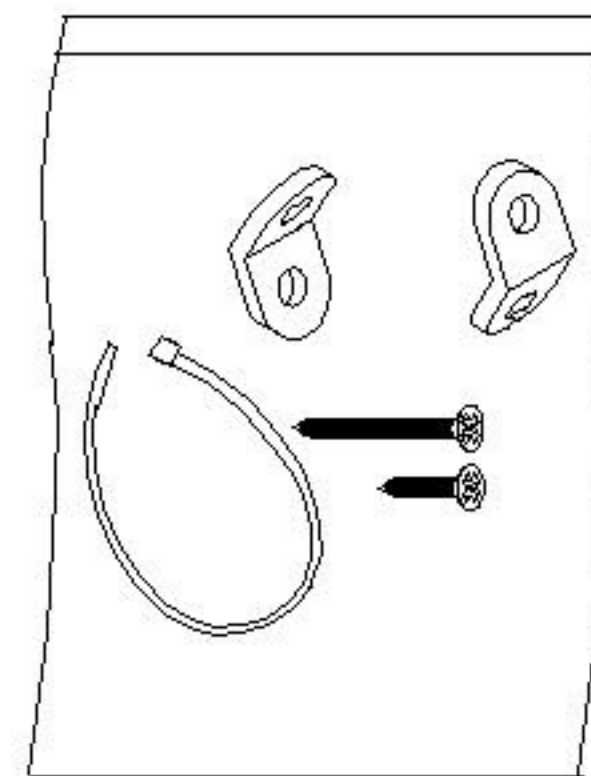
48pcs

**AD** Handle



12pcs

**AE** Anti-Tipping Kit



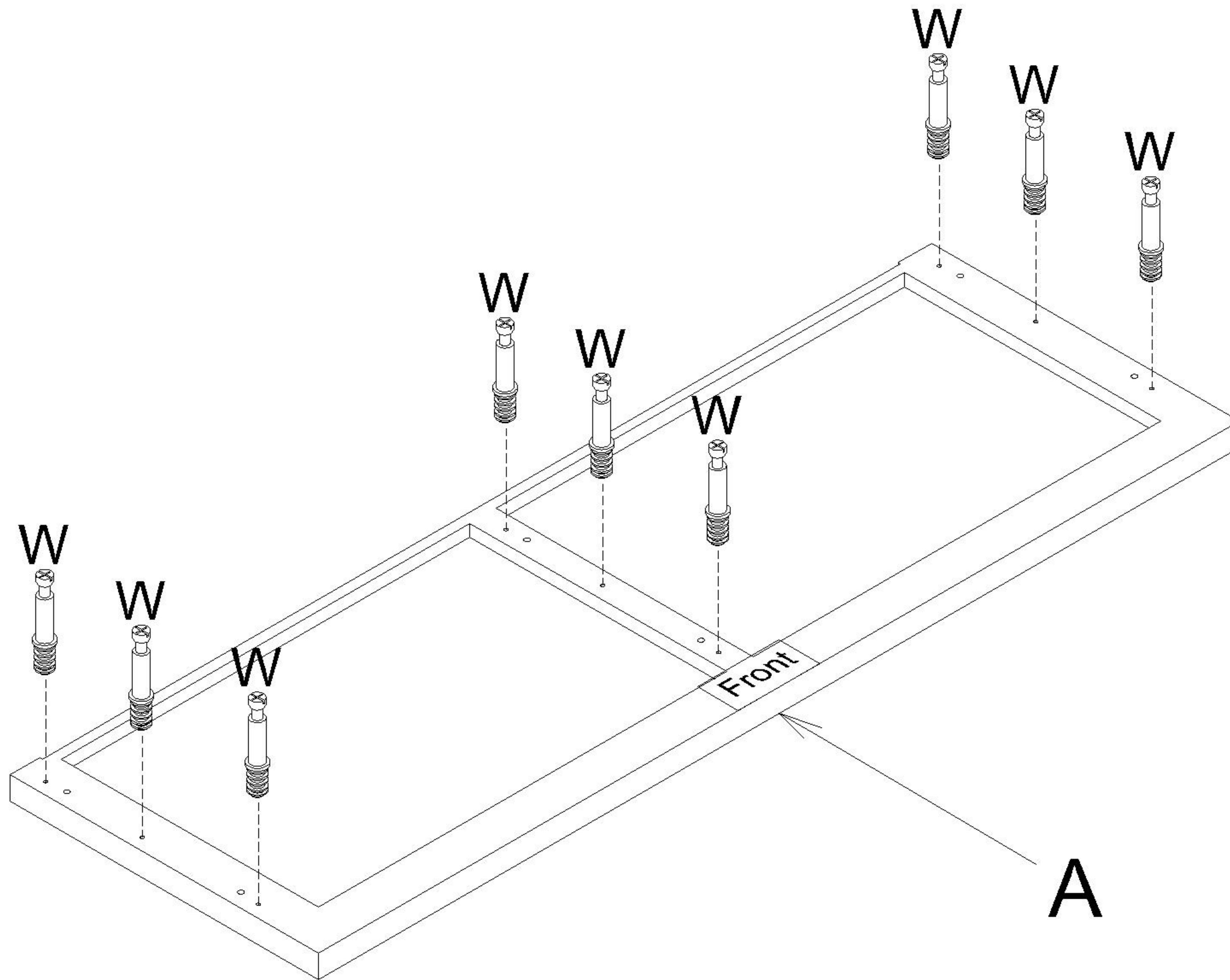
1pc



These pages list all the contents included in the box. Please take the time to identify the hardware as well as the individual components to this product. As you unpack and prepare for assembly, place the contents on a carpeted or padded area to protect them from damage.

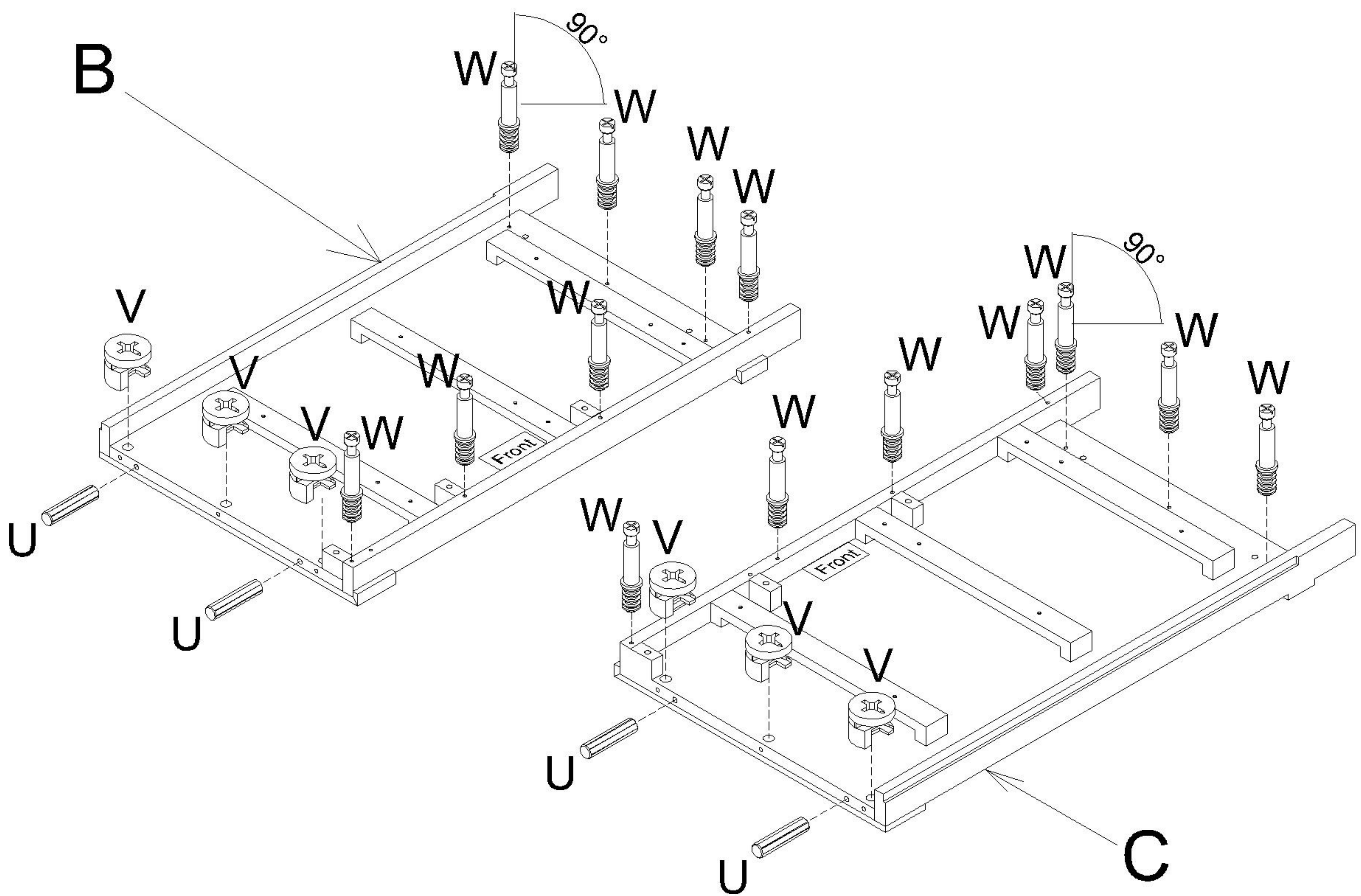
**1**

Attach Cam Bolt (W) to Top Panel (A).

**2**

Attach Dowel (U), Cam Lock (V) and Cam Bolt (W) to Left & Right Side Panel (B & C).

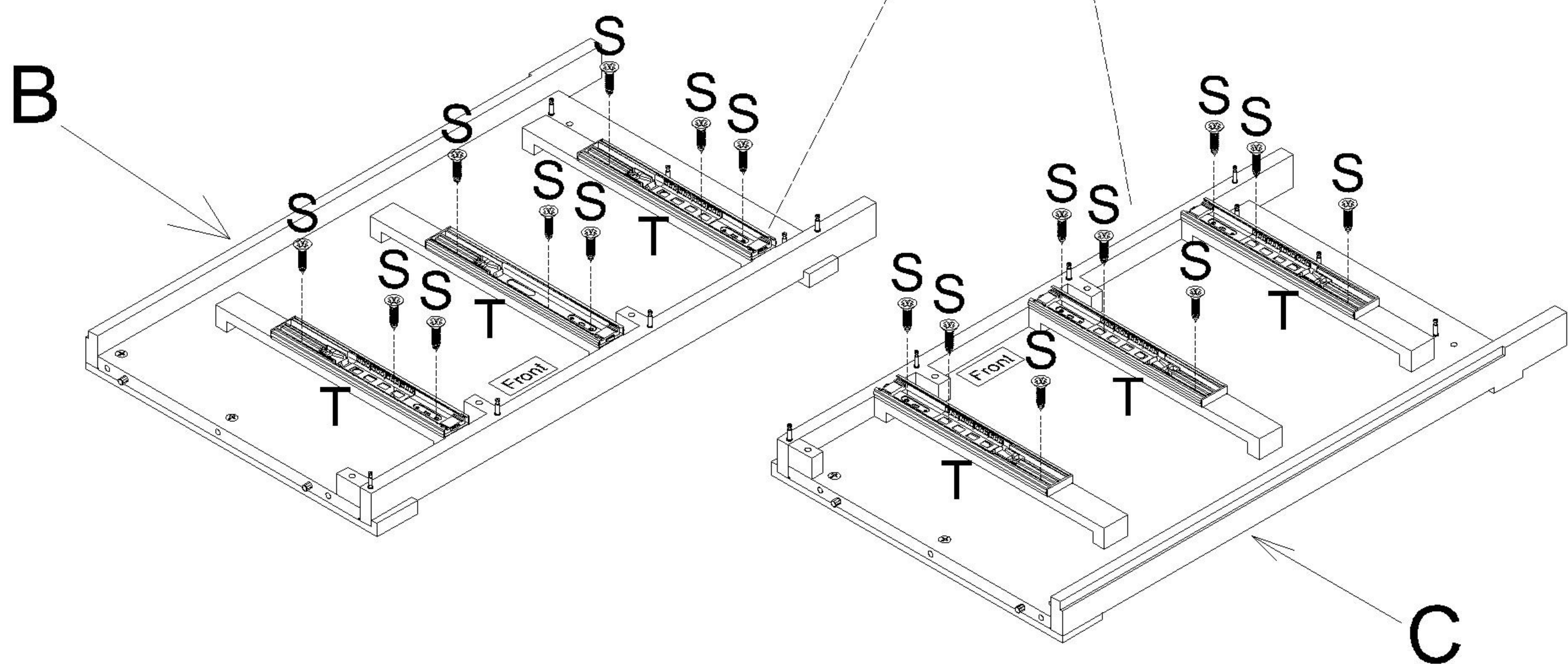
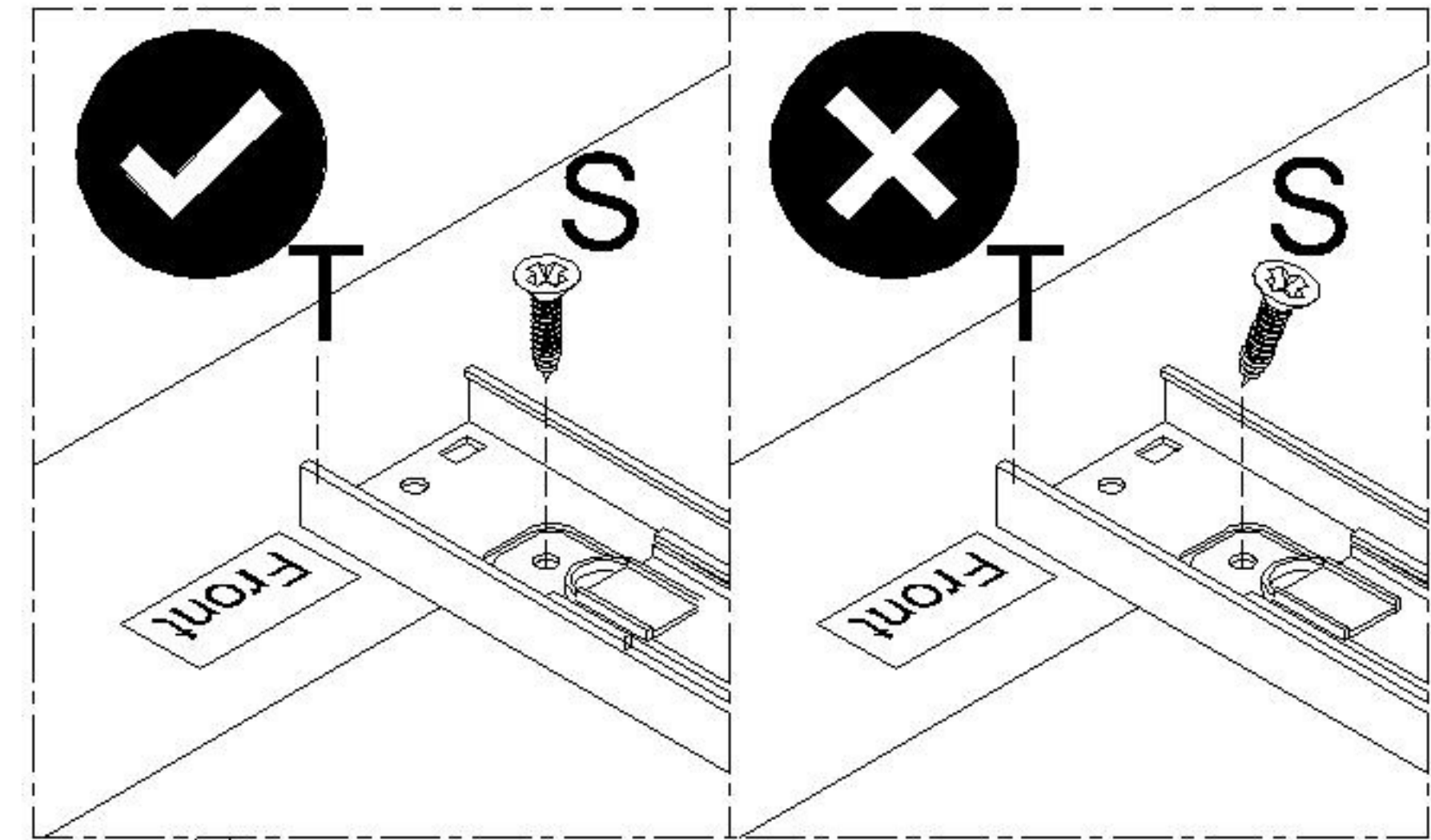
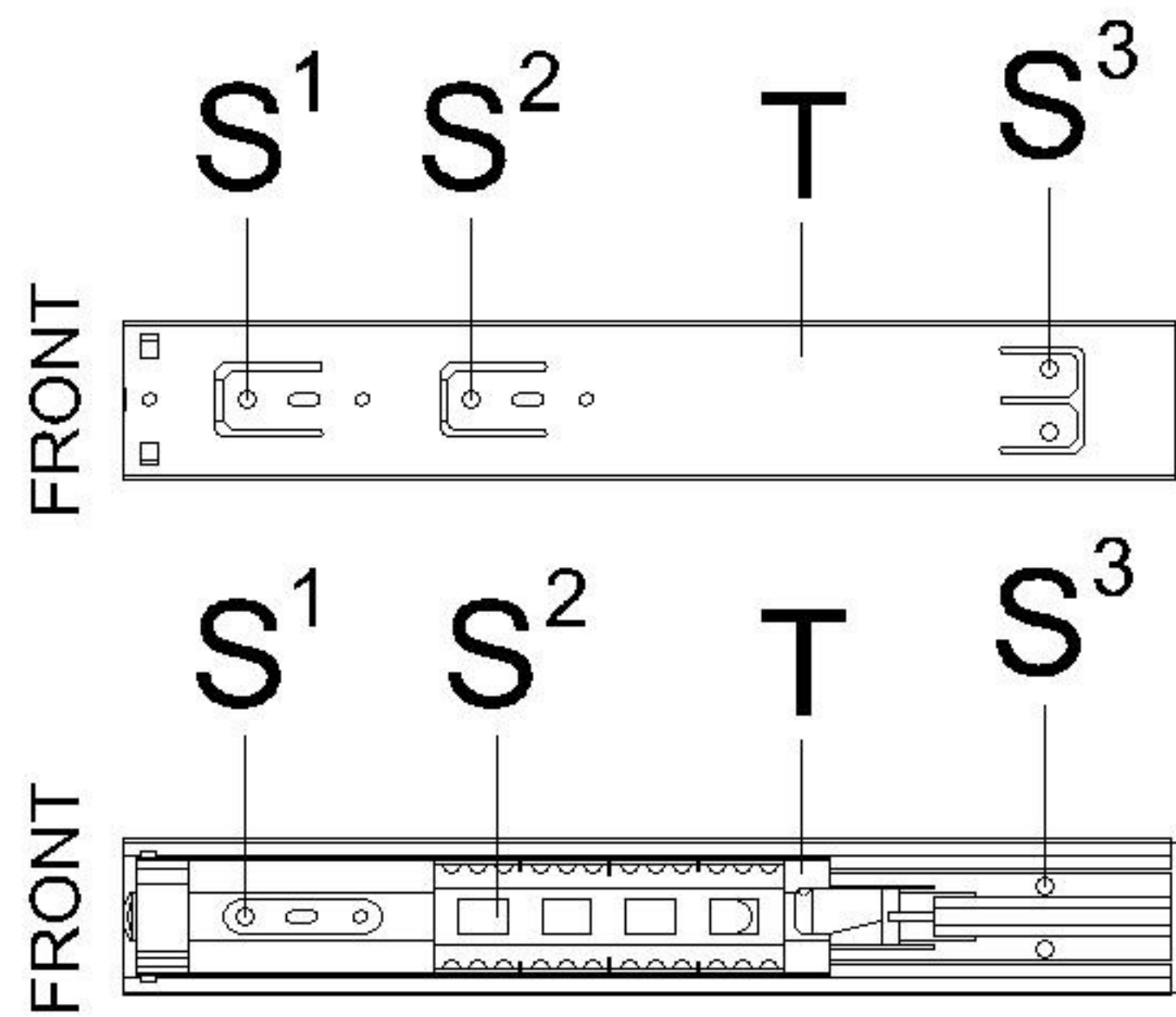
NOTE : - Make sure arrows on each Cam Lock (V) points towards nearest edge with holes.



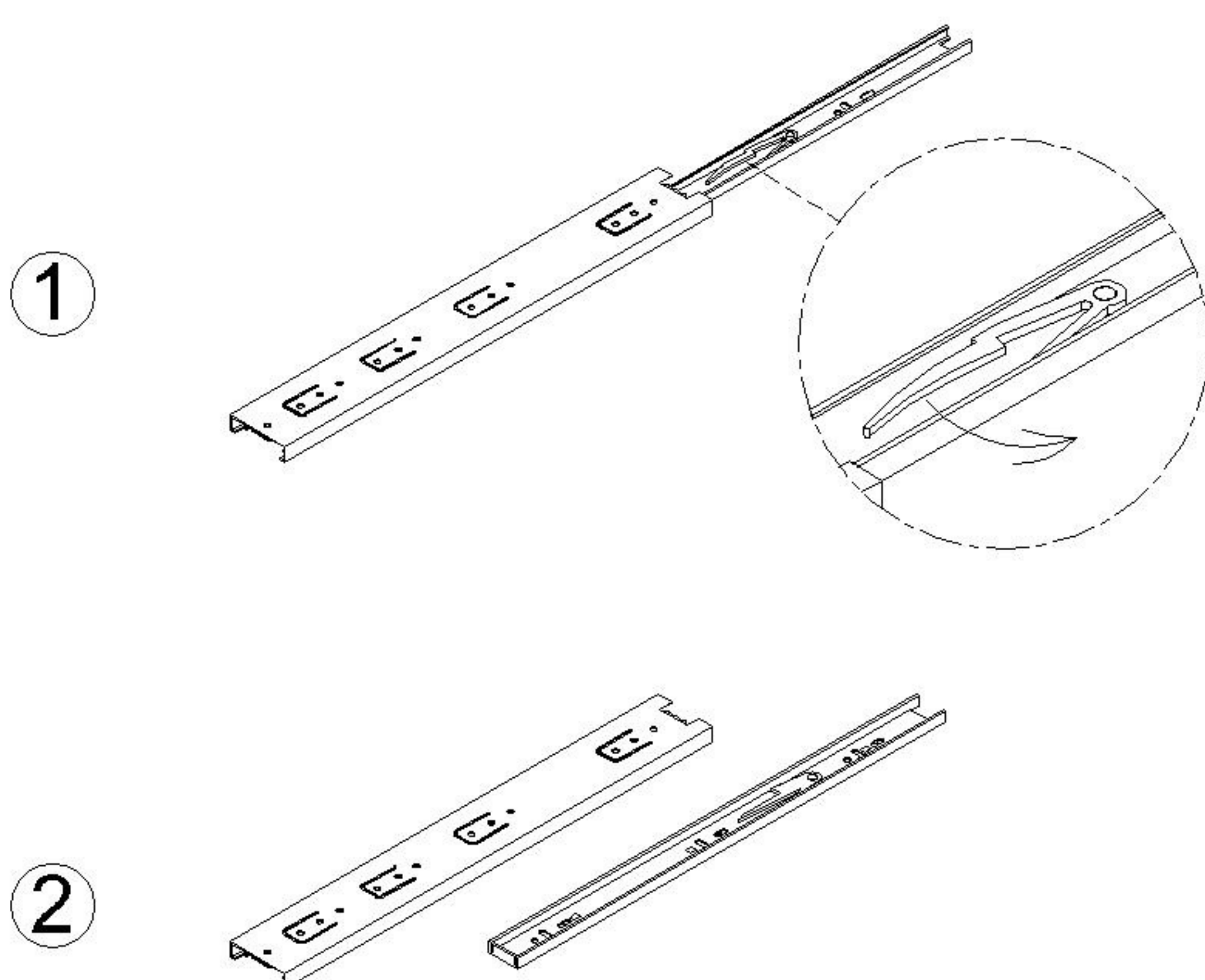
**3**

Attach Runner (T) to Left & Right Side Panel (B & C) and secure with Screw (S).

NOTE : - Runner roller should be towards the front of the panel.  
 - Screw (S) should be assembled from the front of the runner. Start from S<sup>1</sup>, S<sup>2</sup> then S<sup>3</sup>.  
 - Make sure the screws are installed vertically without slant to ensure screw sits properly in the hole.



EXTENSION RUNNER DISASSEMBLE STEPS:

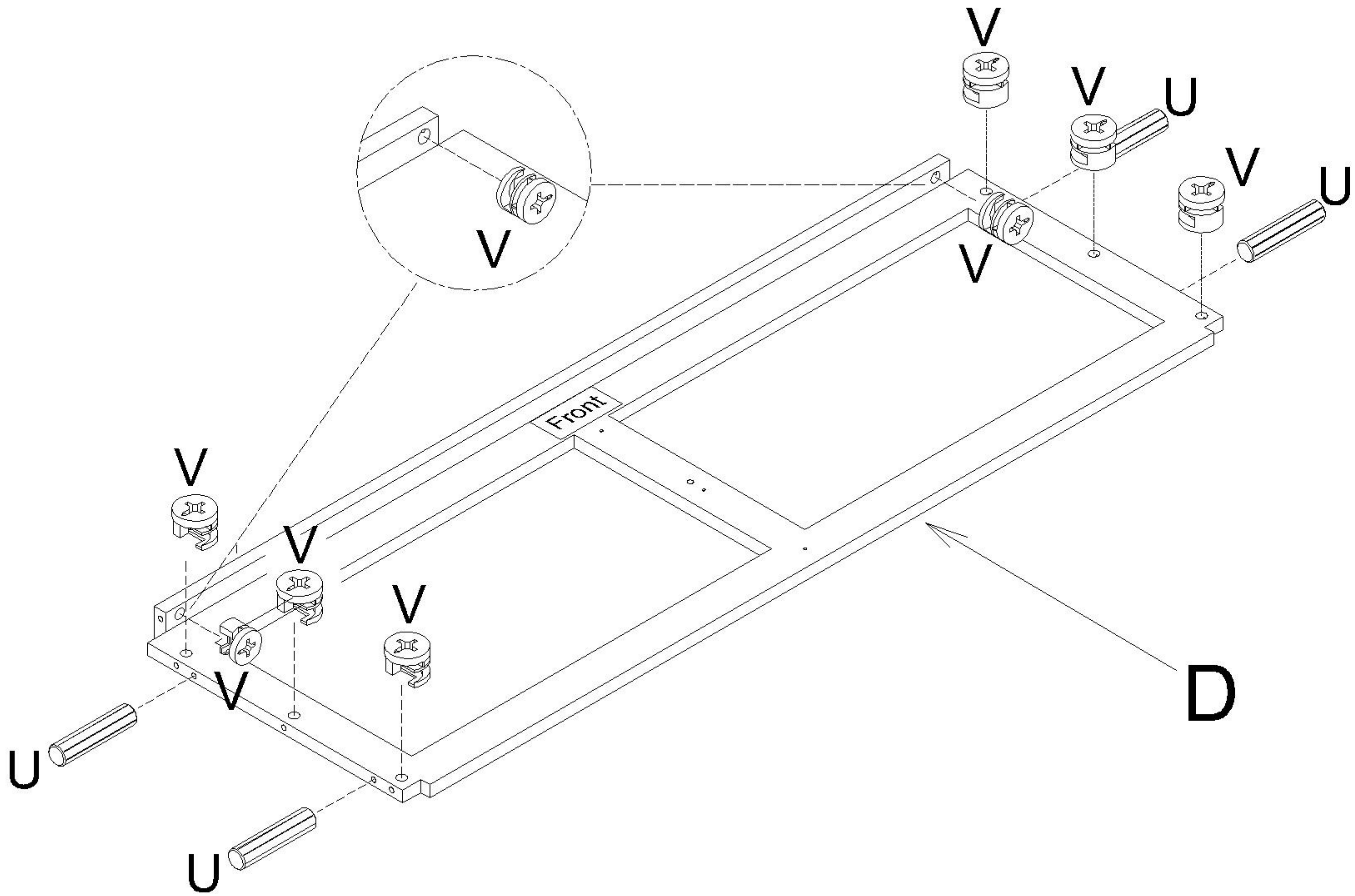


Disassembled the Runner (T) to 2 parts. Fix 1 part on the Left & Right Side Panel (B & C) and Partition (E), and fix the other part on the Left & Right Small Drawer Side (J & M) and Left & Right Big Drawer Side (O & Q).

4

Insert Dowel (U) and Cam Lock (V) to Bottom Frame (D).

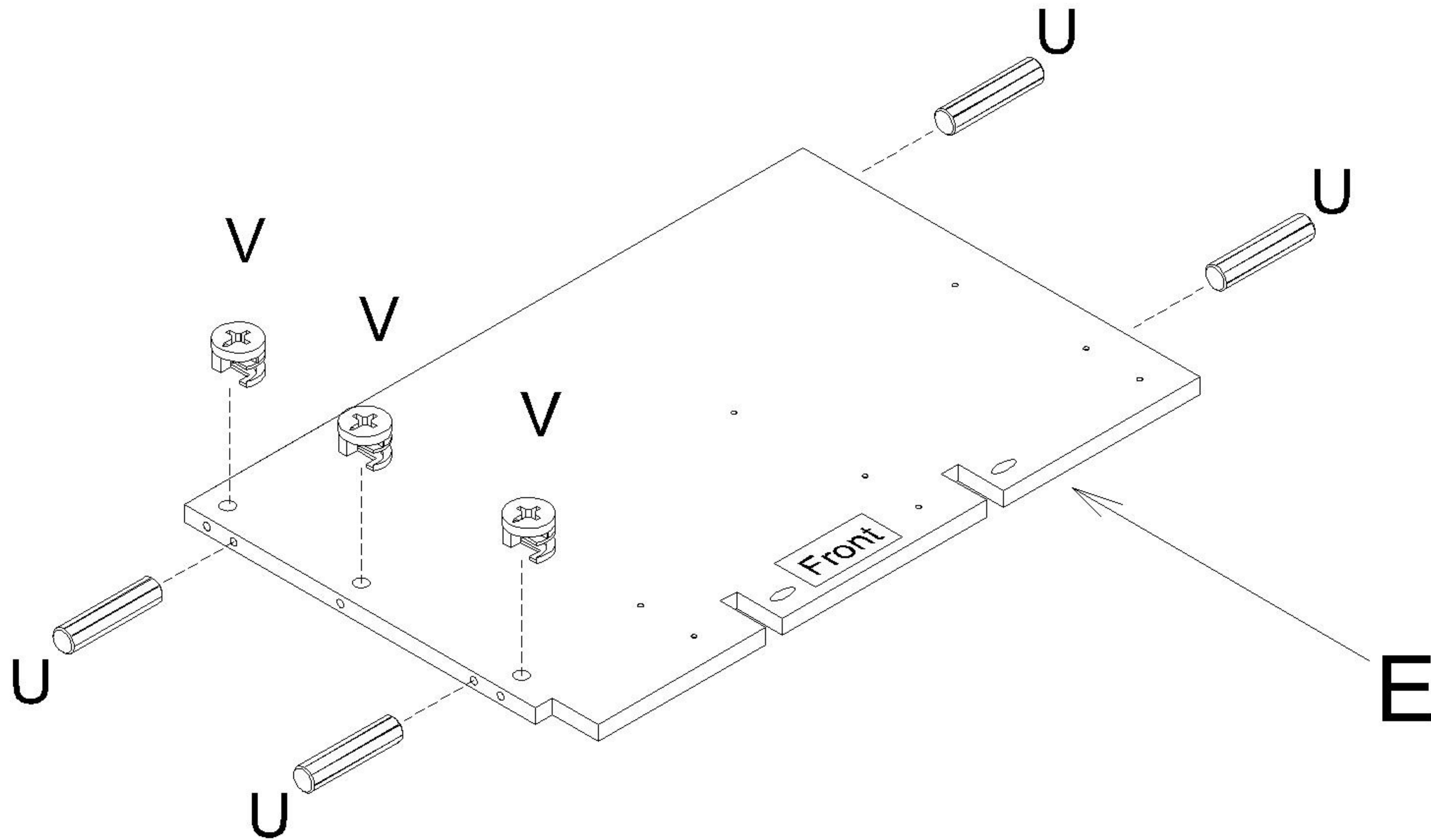
NOTE : - Make sure arrows on each Cam Lock (V) points towards nearest edge with holes.



5

Attach Dowel (U) and Cam Lock (V) to Partition (E).

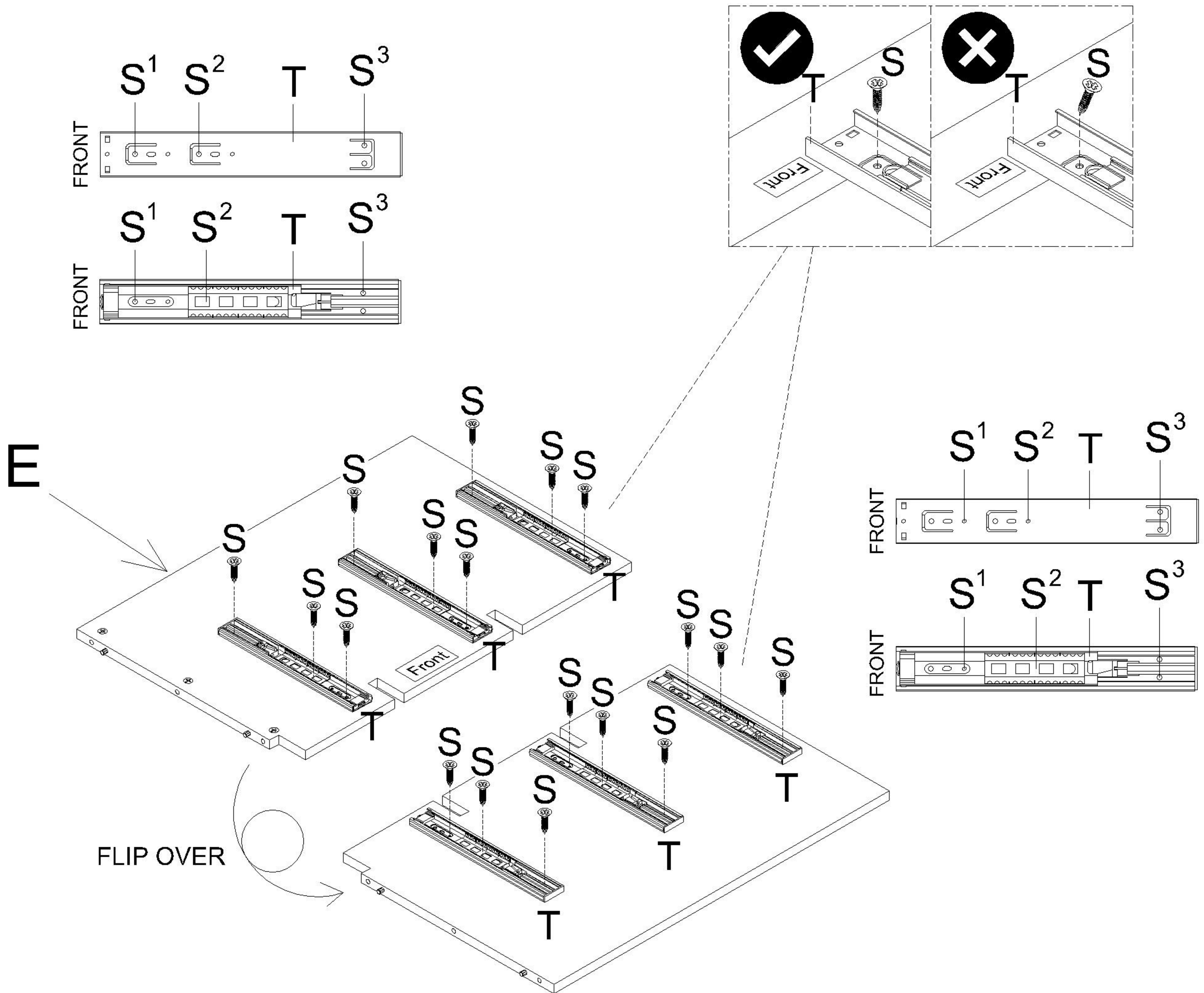
NOTE : - Make sure arrows on each Cam Lock (V) points towards nearest edge with holes.



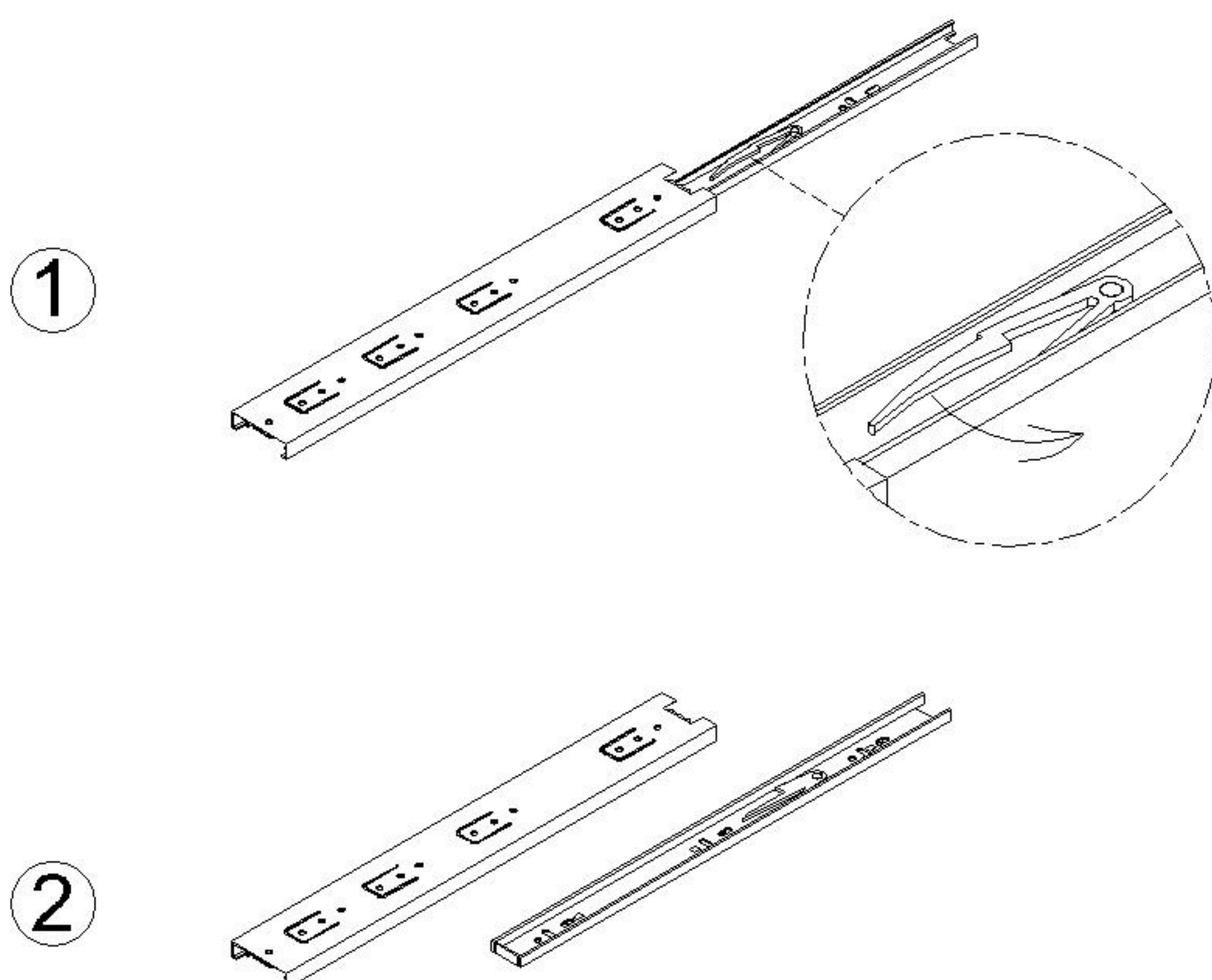
# 6

## Attach Runner (T) to both sides of Partition (E) and secure with Screw (S).

NOTE : - Runner roller should be towards the front of the panel.  
 - Screw (S) should be assembled from the front of the runner. Start from S<sup>1</sup>, S<sup>2</sup> then S<sup>3</sup>.  
 - Make sure the screws are installed vertically without slant to ensure screw sits properly in the hole.



### EXTENSION RUNNER DISASSEMBLE STEPS:

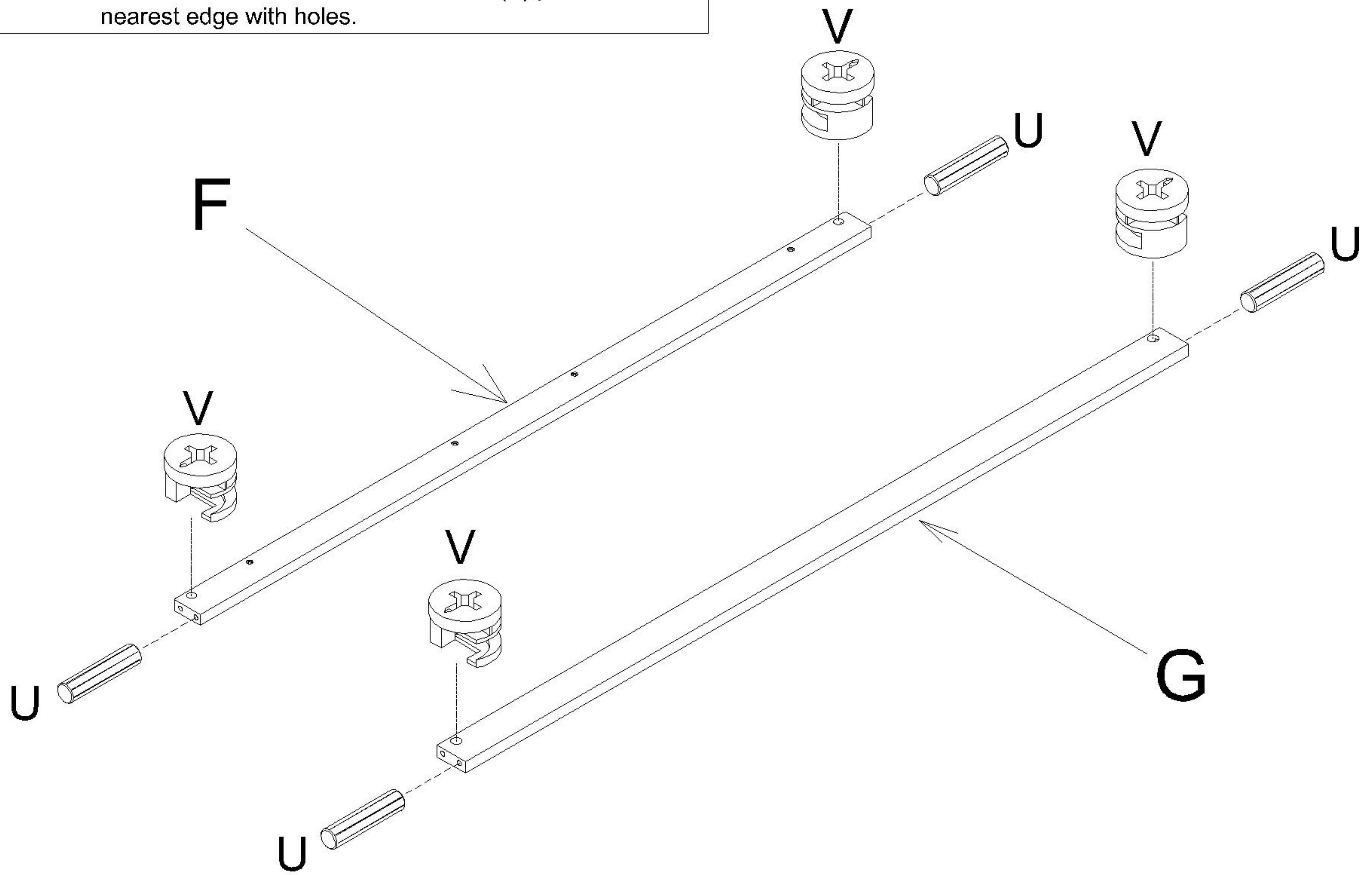


Disassembled the Runner (T) to 2 parts. Fix 1 part on the Left & Right Side Panel (B & C) and Partition (E), and fix the other part on the Left & Right Small Drawer Side (J & M) and Left & Right Big Drawer Side (O & Q).

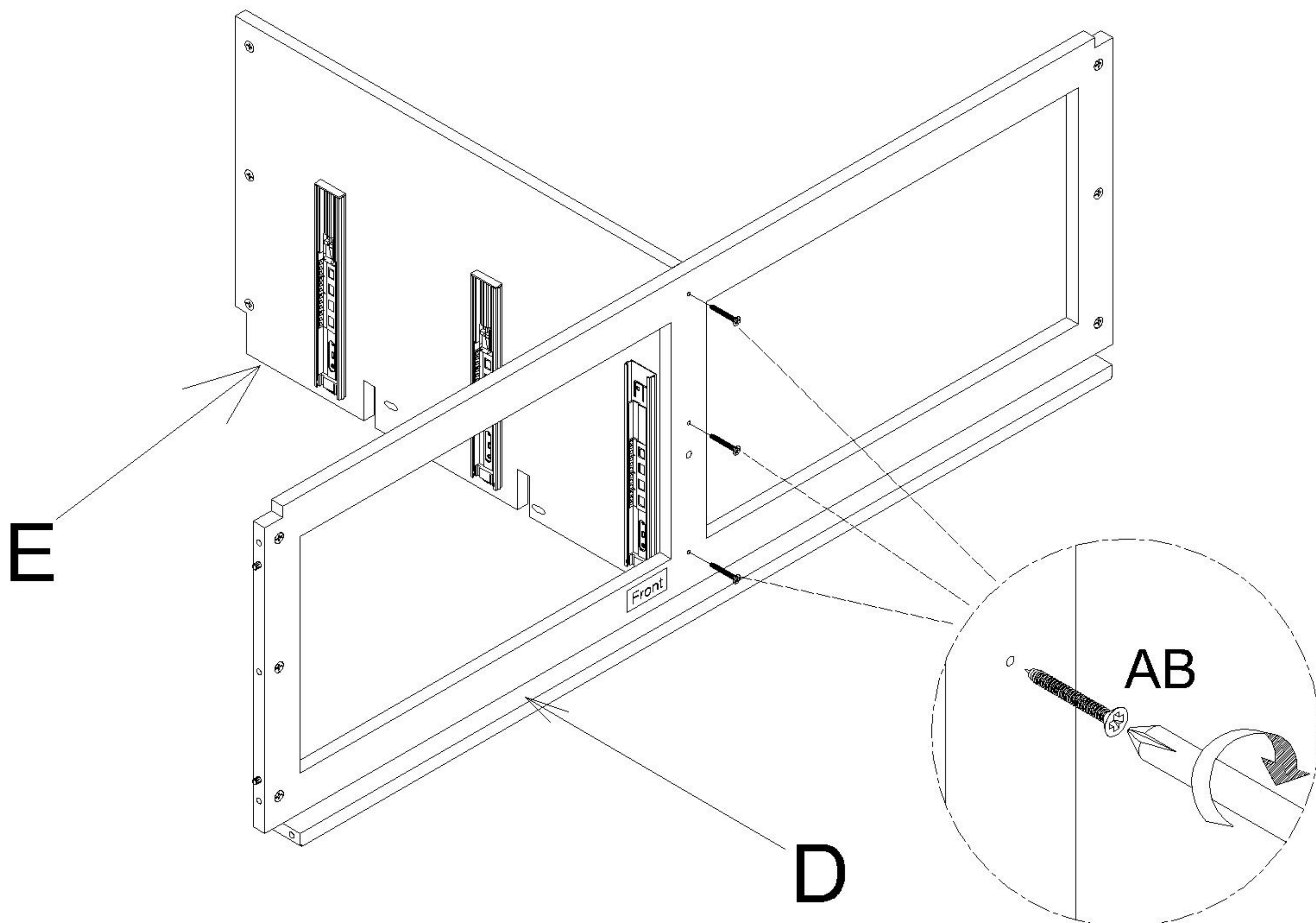
**7**

Attach Dowel (U) and Cam Lock (V) to Top Bar (F) & Center Bar (G).

NOTE : - Make sure arrows on each Cam Lock (V) points towards nearest edge with holes.

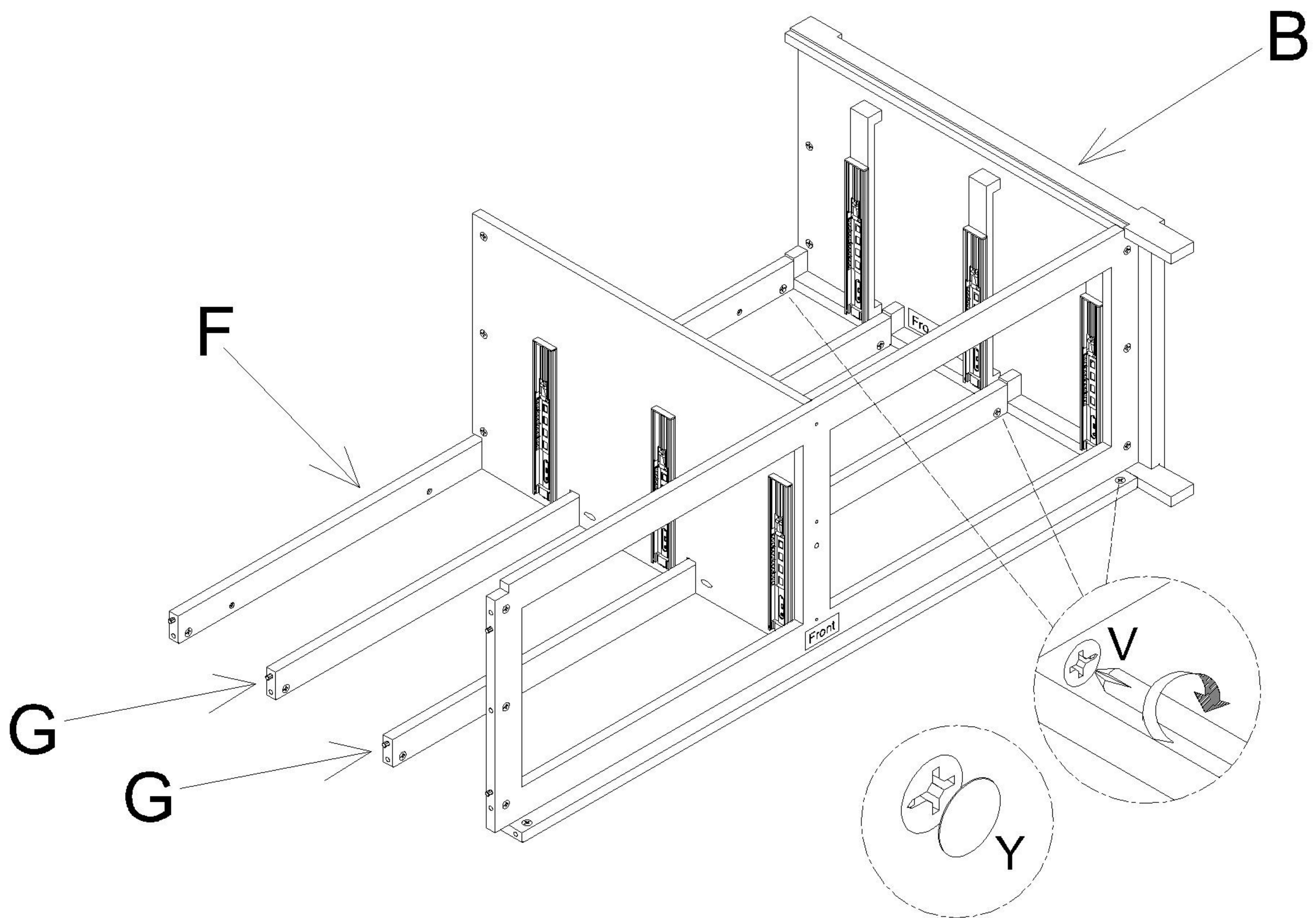
**8**

Attach Bottom Frame (D) to Partition (E) and secure with Screw (AB).



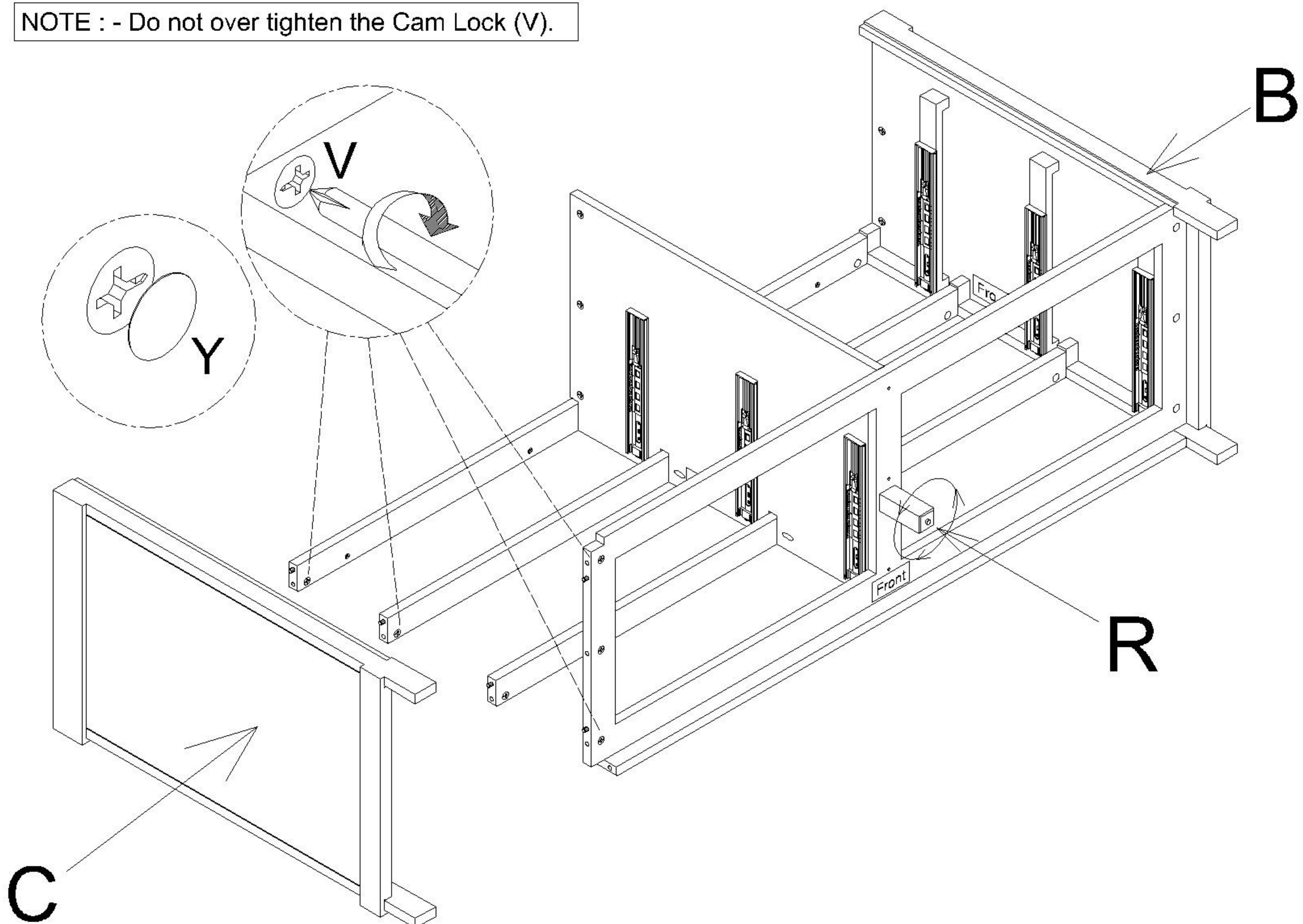
**9**

Attach Left Side Panel (B), Top Bar (F) & Center Bar (G) to assembled unit and secure with Cam Lock (V). Cover Cam Lock (V) with Cam Lock Cover (Y).

**10**

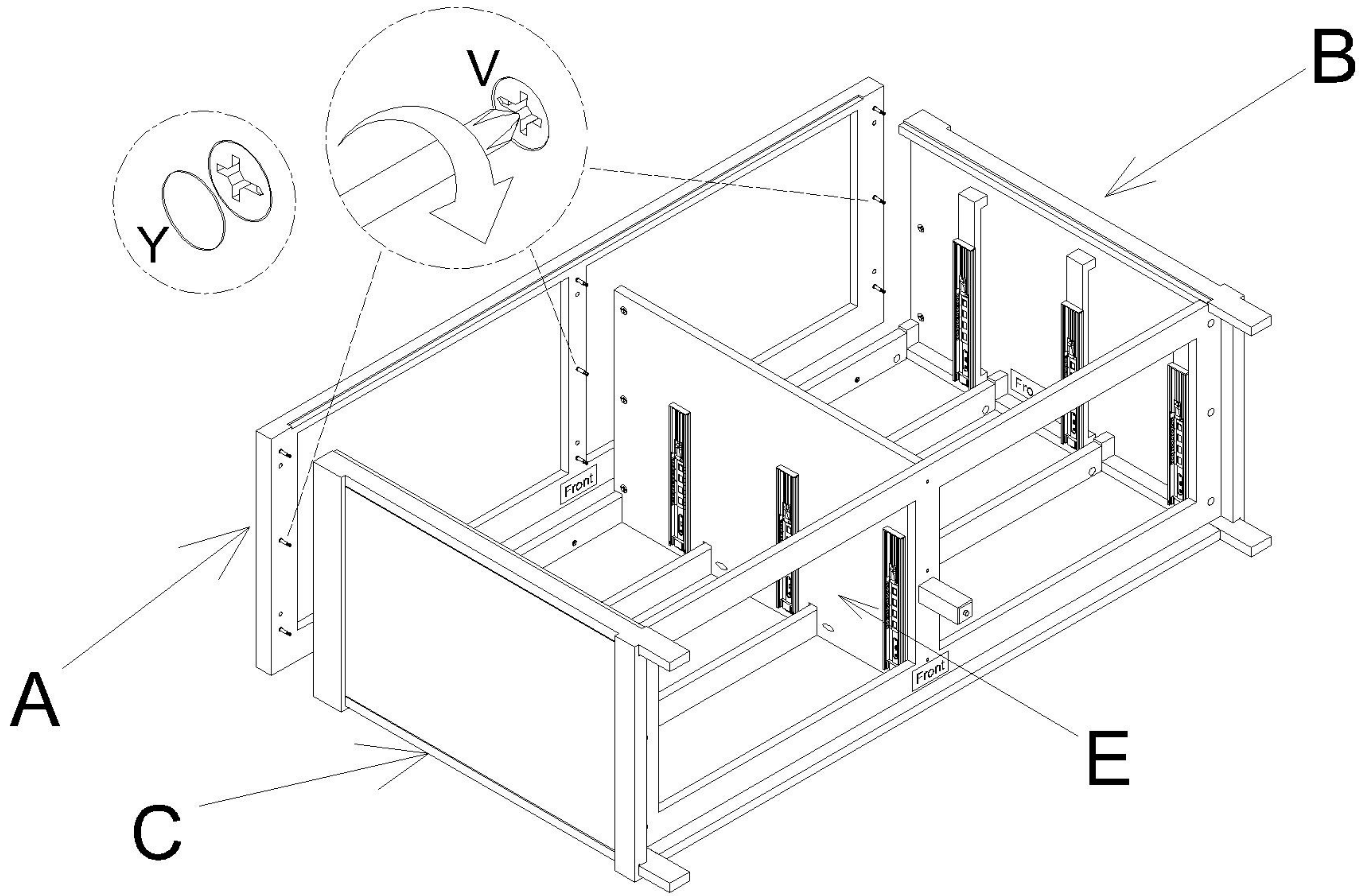
Attach Right Side Panel (C) to assembled unit and secure with Cam Lock (V). Cover Cam Lock (V) with Cam Lock Cover (Y). Attach Support Leg (R) to Bottom Frame (D) and turn clockwise.

NOTE : - Do not over tighten the Cam Lock (V).

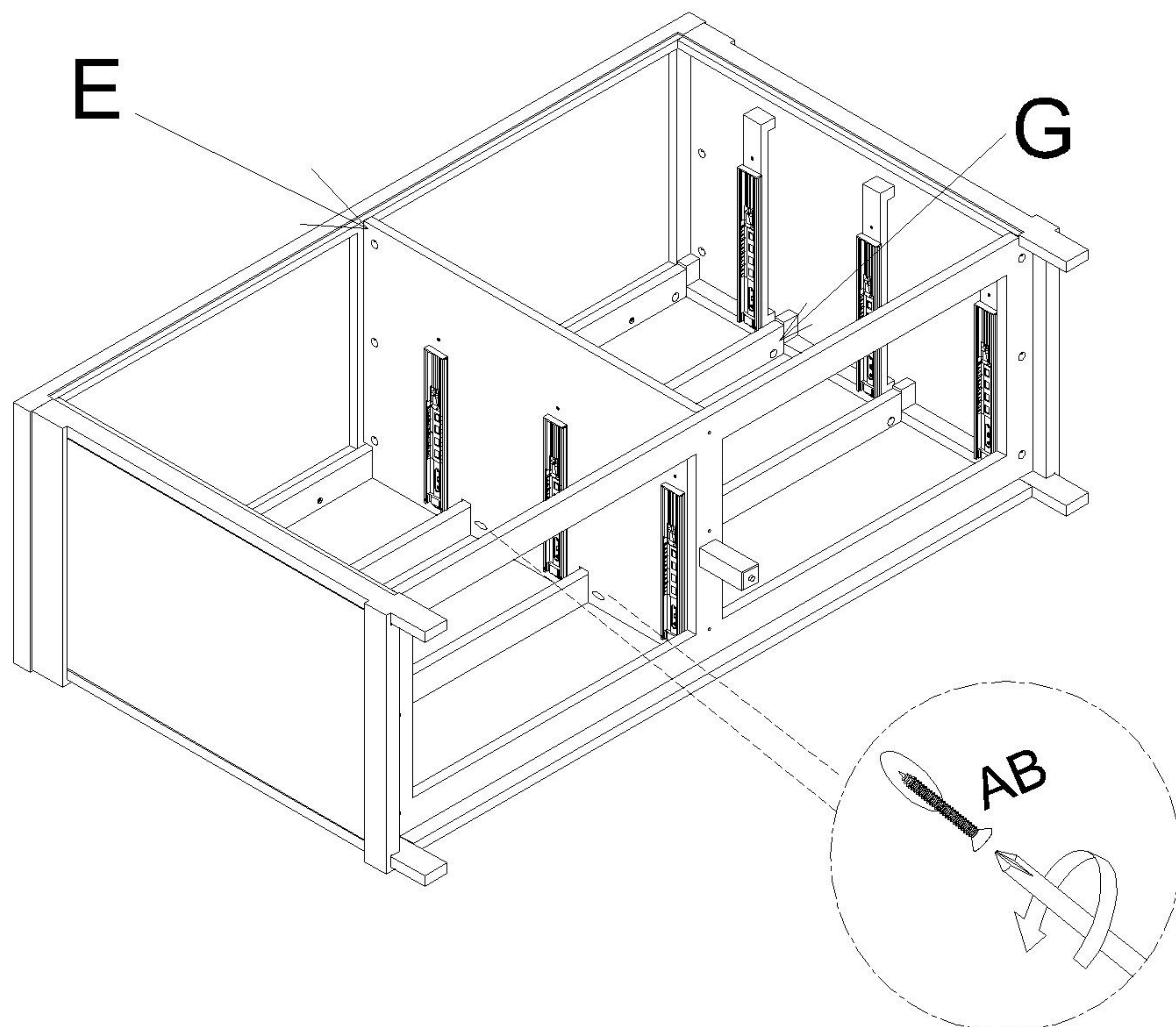


**11** Attach Top Panel (A) to Left & Right Side Panel (B & C) and Partition (E), and secure with Cam Lock (V). Cover Cam Lock (V) with Cam Lock Cover (Y).

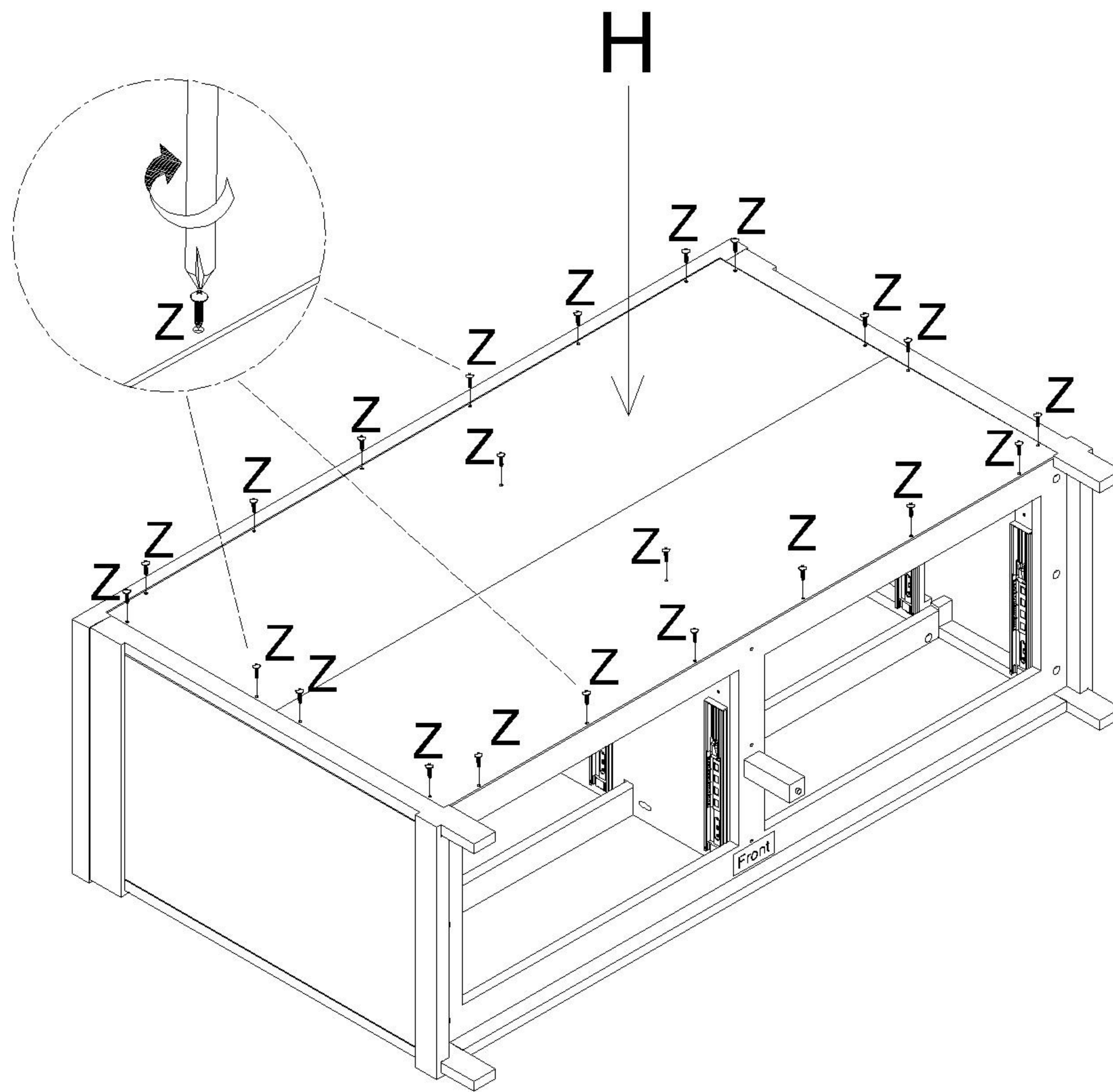
NOTE : - Do not over tighten the Cam Lock (V).



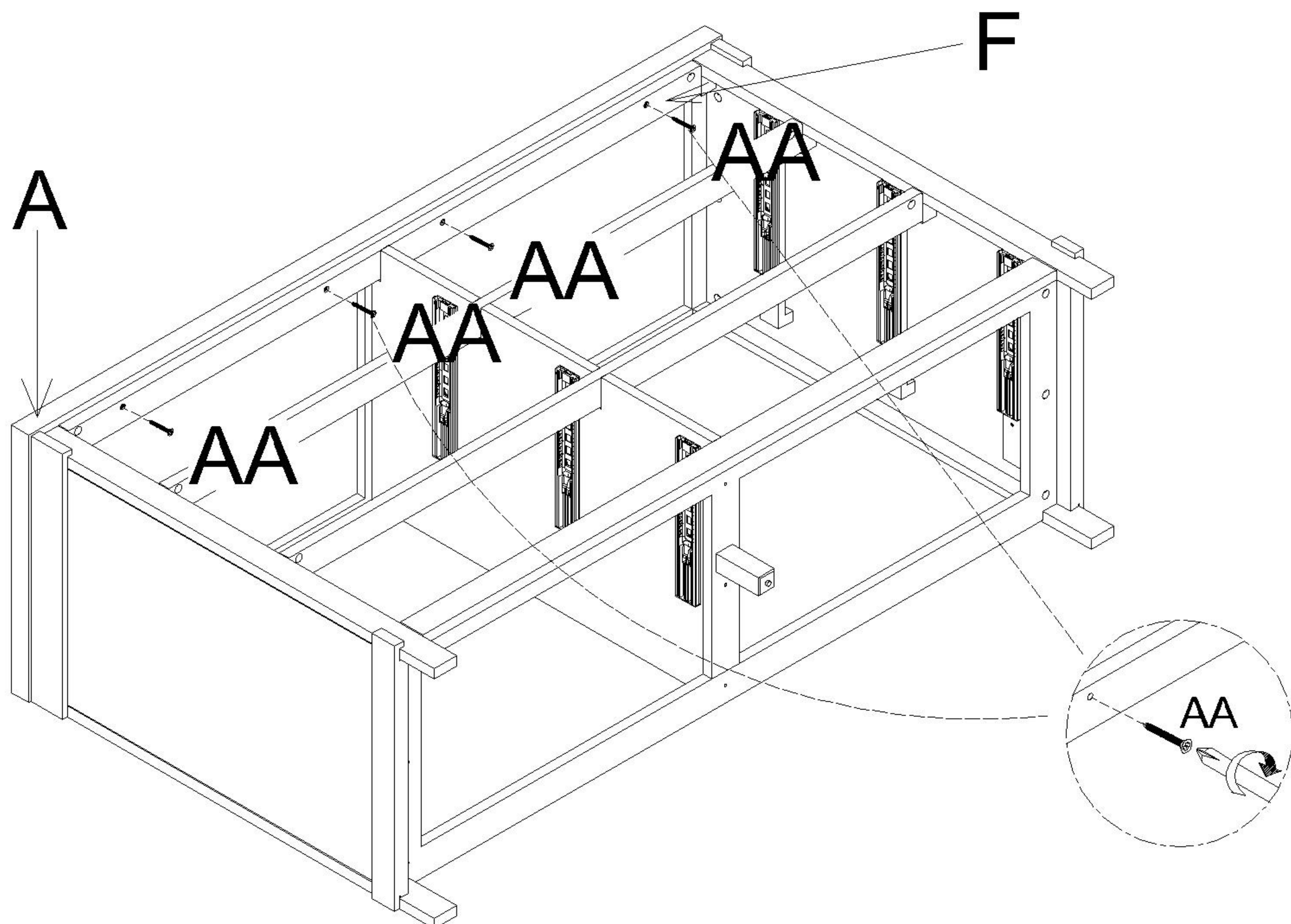
**12** Secure Partition (E) to Center Bar (G) with Screw (AB).



**13** Attach Back Plywood (H) to assembled unit and secure with Panhead Screw (Z).



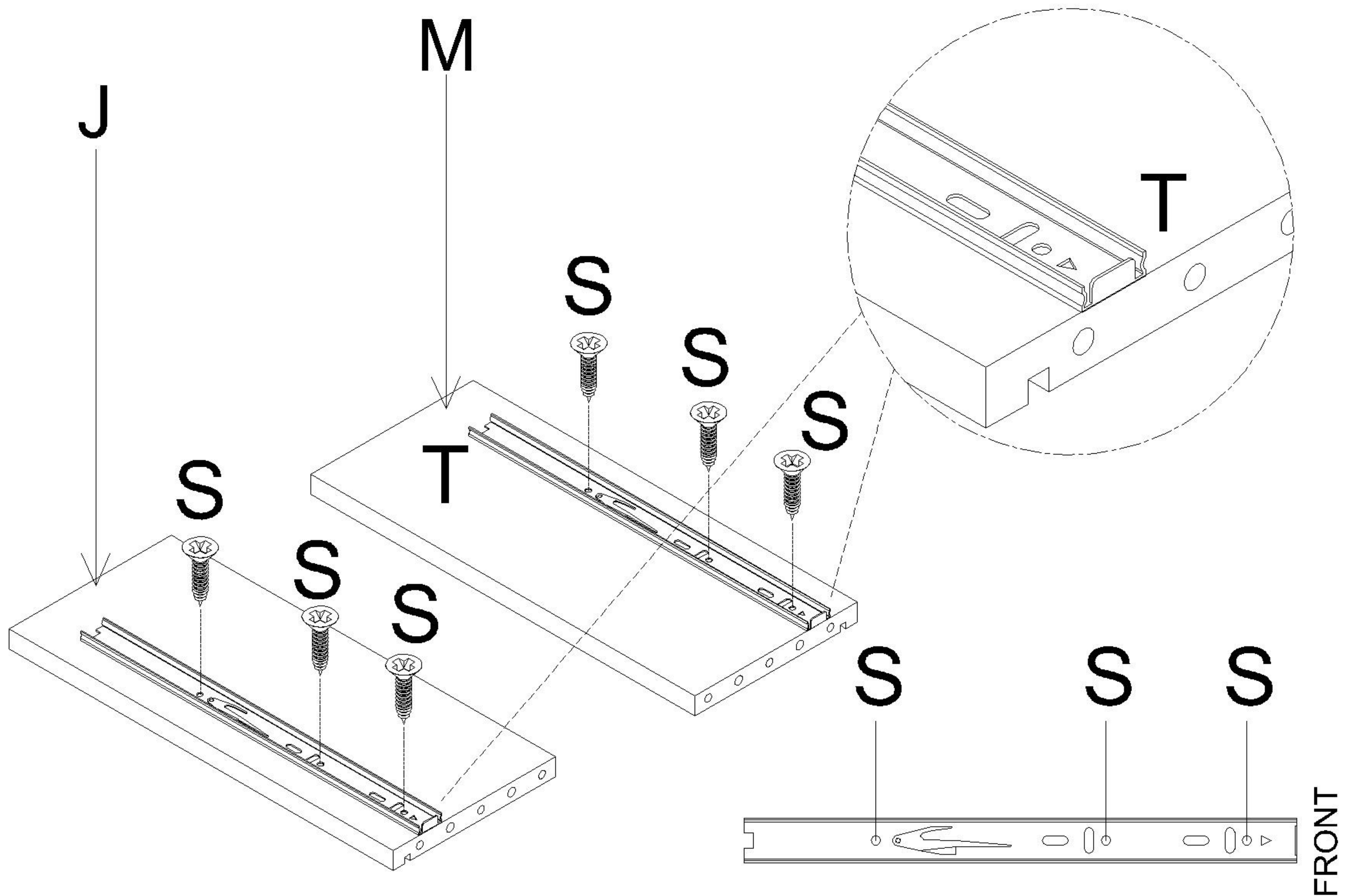
**14** Secure Top Panel (A) to Top Bar (F) using Screw (AA).



**15**

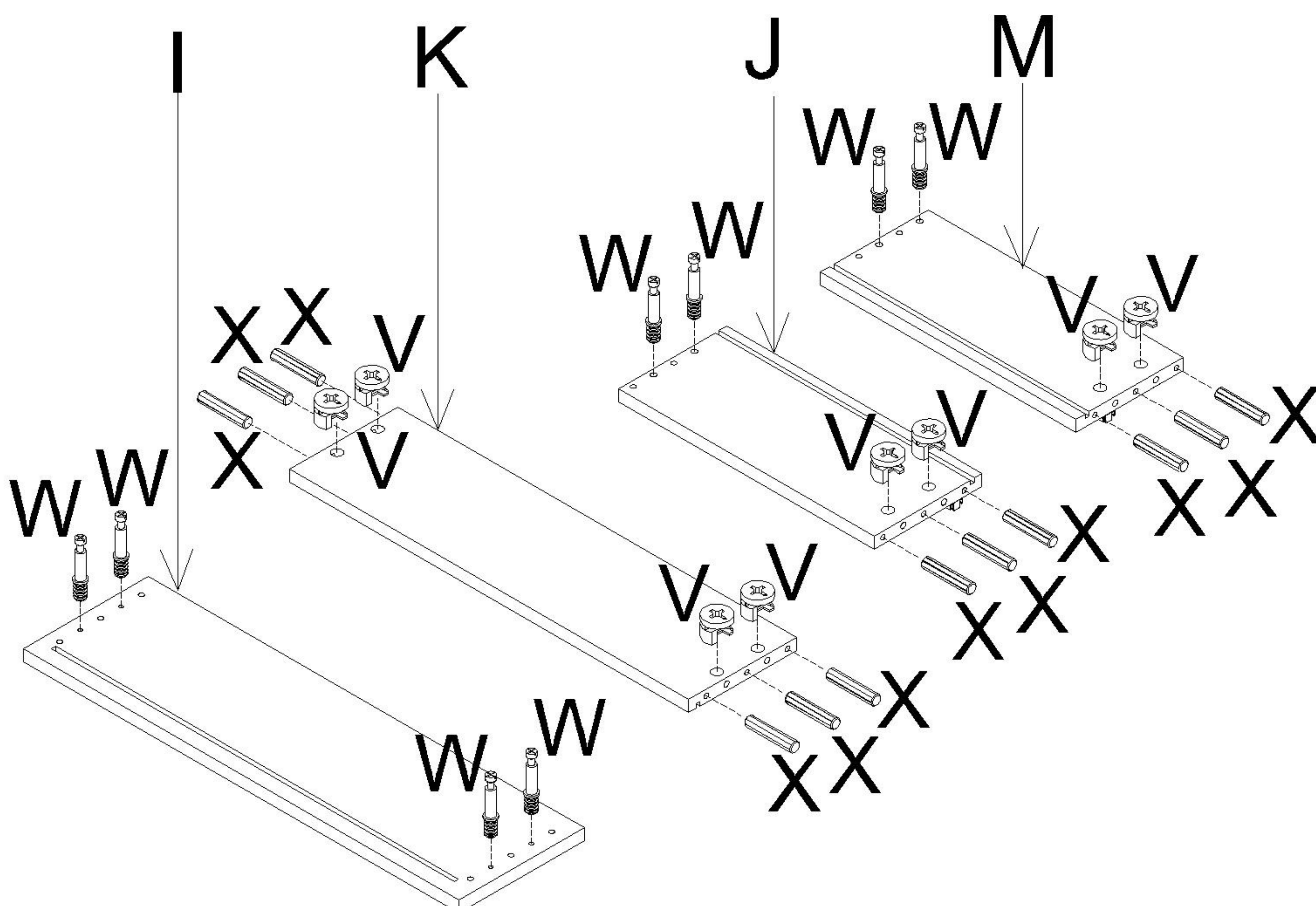
Attach Runner (T) to Left & Right Small Drawer Side (J & M) and secure with Screw (S).

NOTE : - Do not over tighten the Screw (S).

**16**

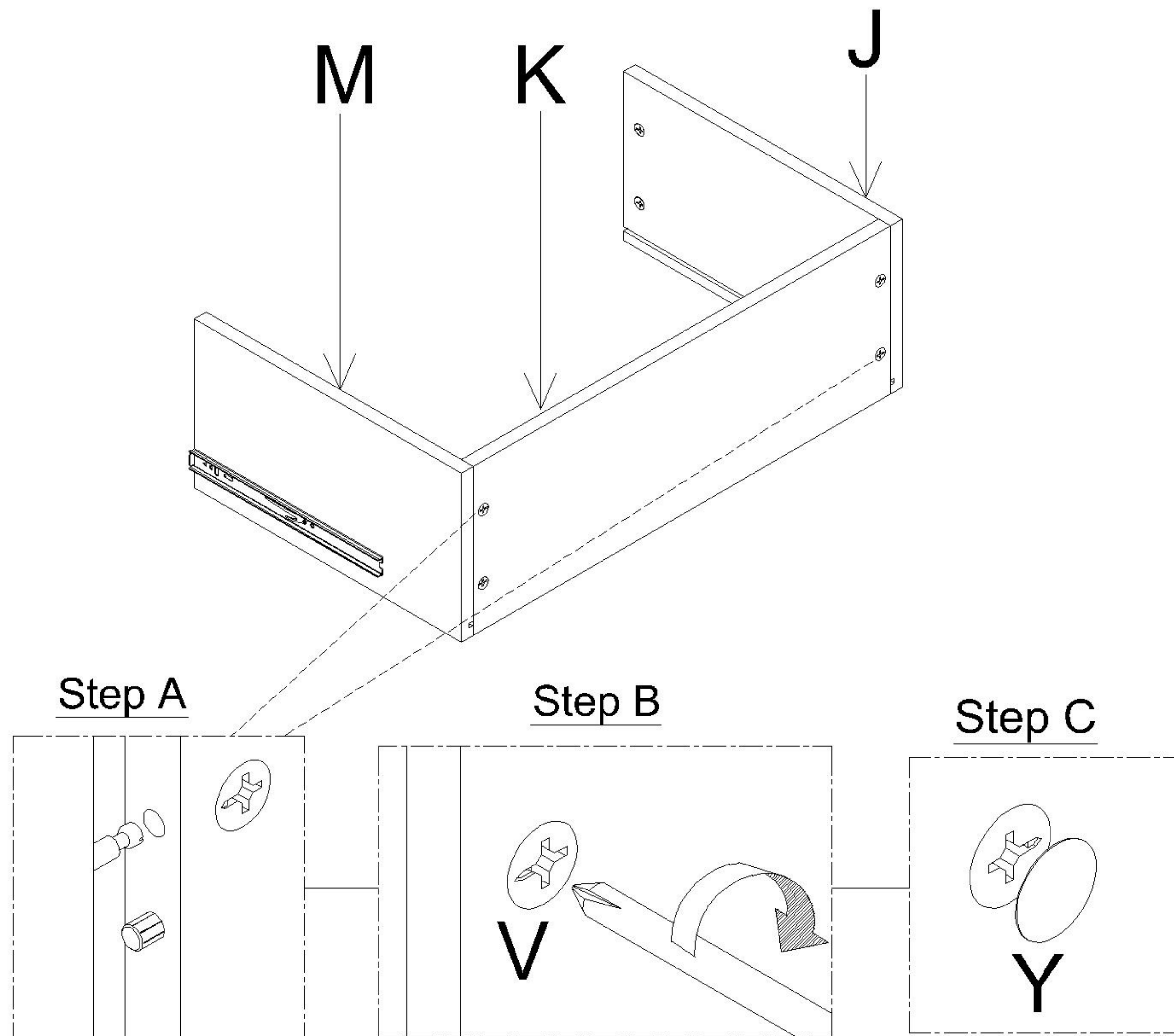
Flip over Left & Right Small Drawer Side (J & M). Insert Dowel (X) to Left & Right Small Drawer Side (J & M) and Small Drawer Back (K). Insert Cam Lock (V) to Left & Right Small Drawer Side (J & M) and Small Drawer Back (K). Insert Cam Bolt (W) to Left & Right Small Drawer Side (J & M) and Small Drawer Front (I).

NOTE : - Make sure arrows on each Cam Lock (V) points towards nearest edge with holes.



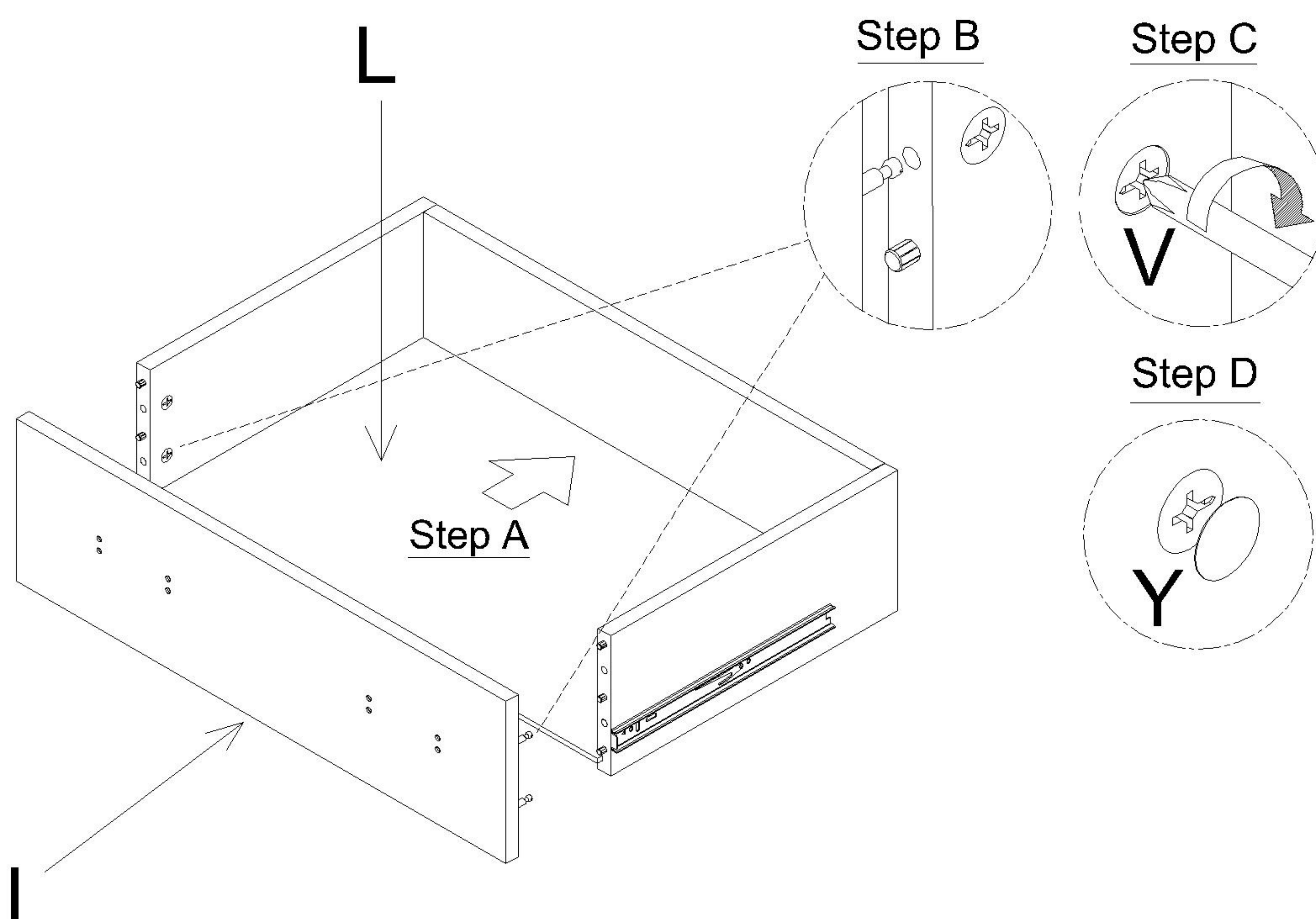
**17** Attach Left & Right Small Drawer Side (J & M) to Small Drawer Back (K) and secure with Cam Lock (V). Cover Cam Lock (V) with Cam Lock Cover (Y).

NOTE : - Do not over tighten the Cam Lock (V).



**18** Slot Drawer Base (L) into corresponding grooves. Attach Small Drawer Front (I) to Drawer Box and secure with Cam Lock (V). Cover Cam Lock (V) with Cam Lock Cover (Y).

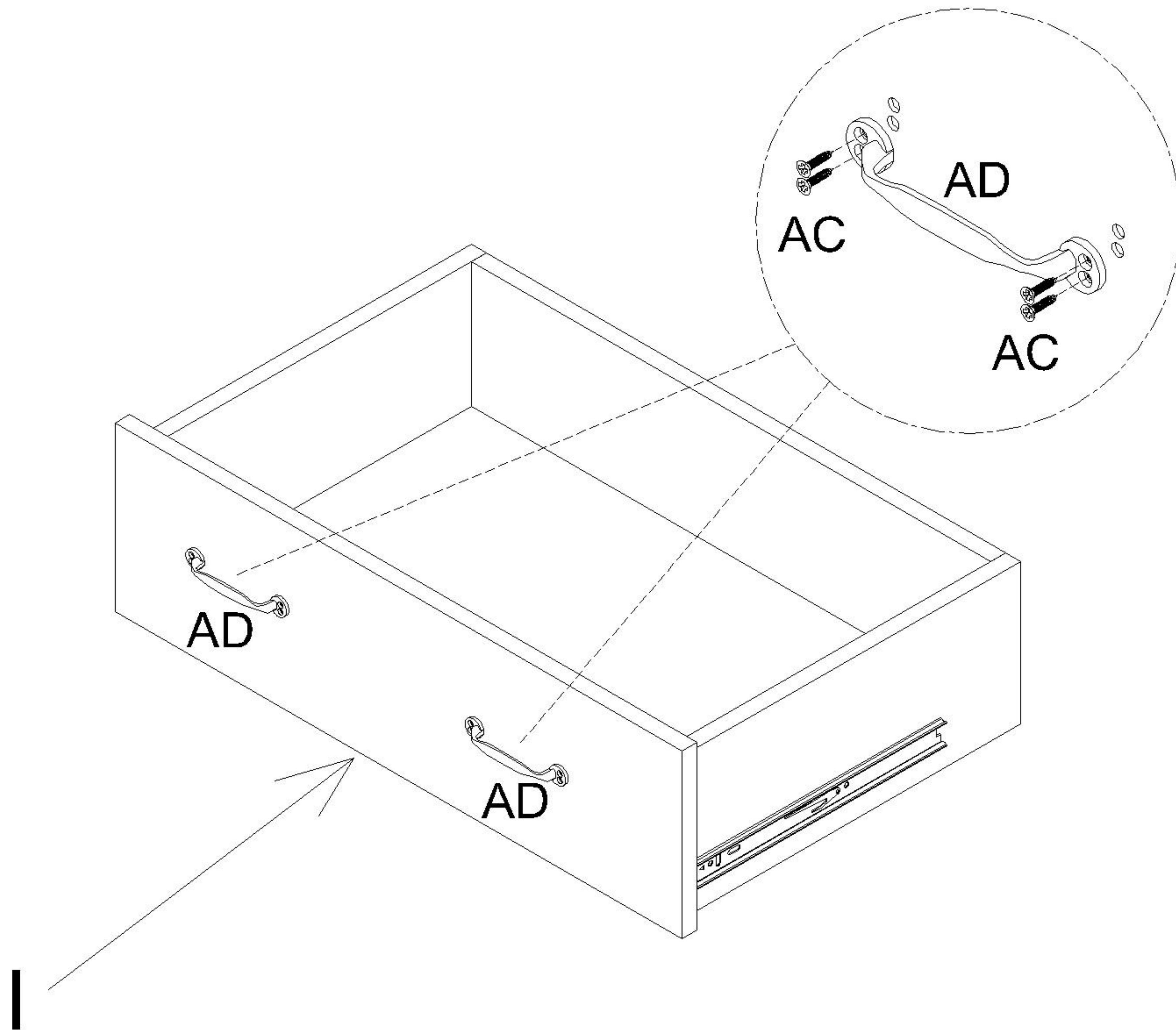
NOTE : - Do not over tighten the Cam Lock (V).



19

Attach Handle (AD) to Small Drawer Front (I) and secure with Screw (AC).

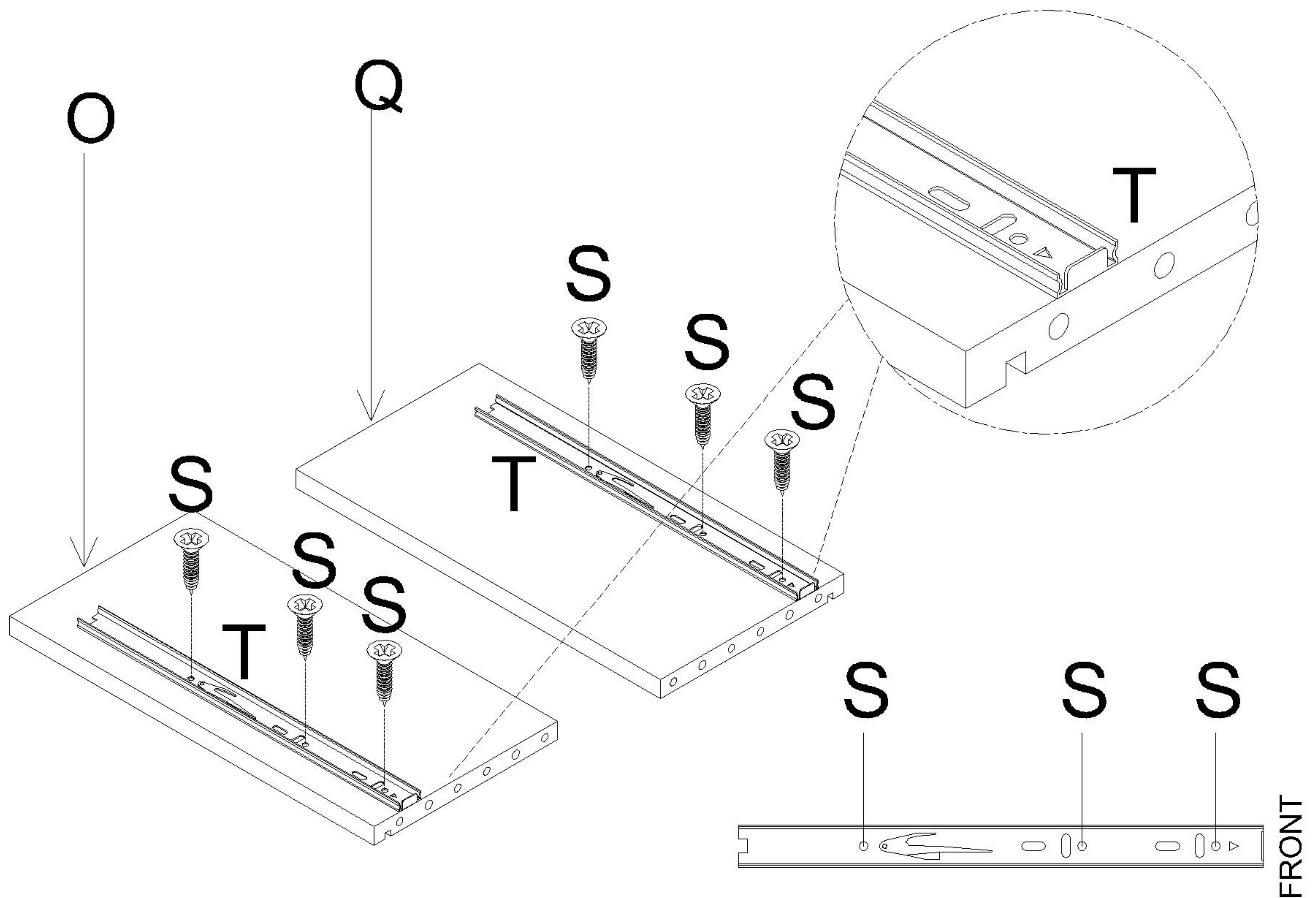
NOTE : - Do not over tighten the Screw (AC).



20

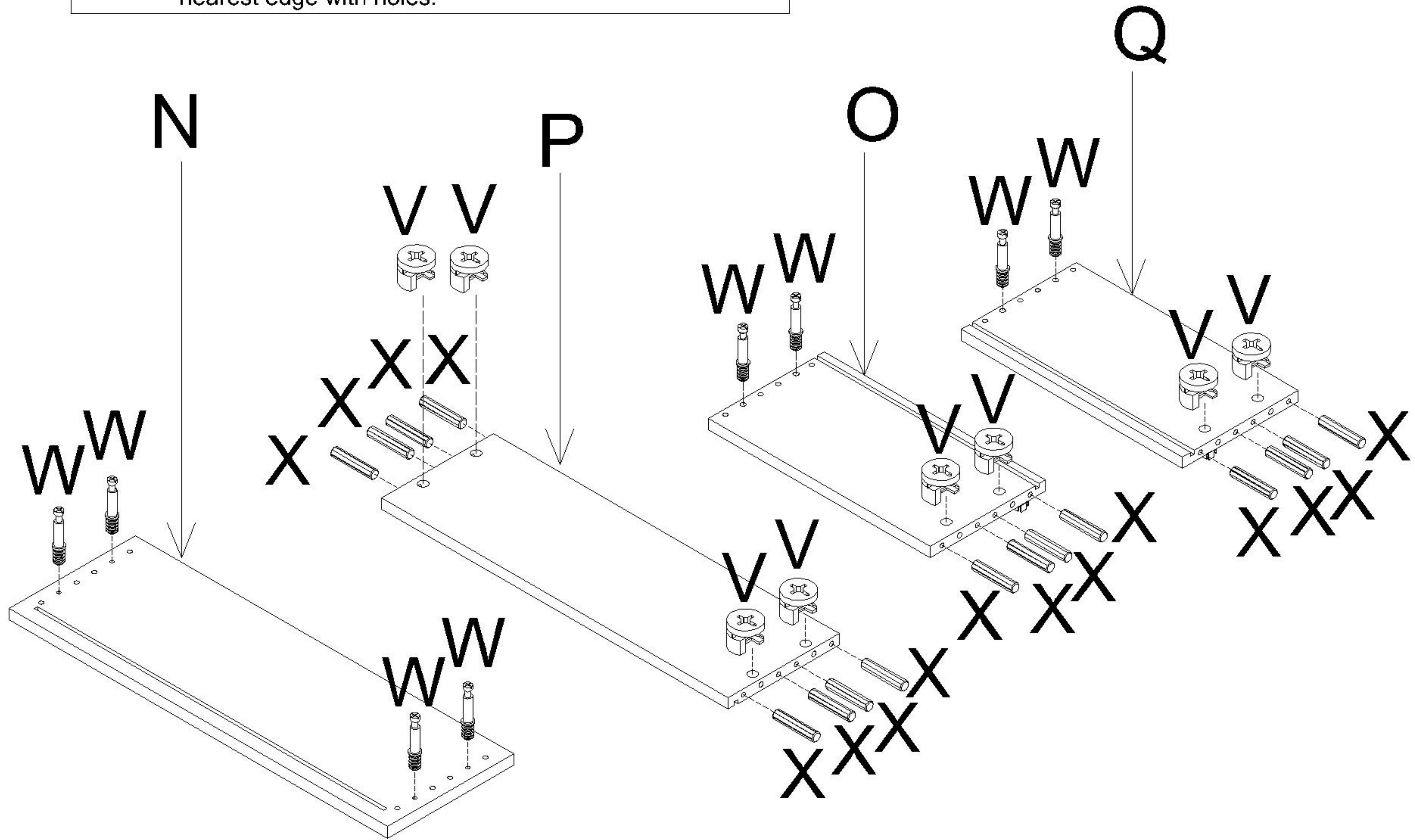
Attach Runner (T) to Left & Right Big Drawer Side (O & Q) and secure with Screw (S).

NOTE : - Do not over tighten the Screw (S).



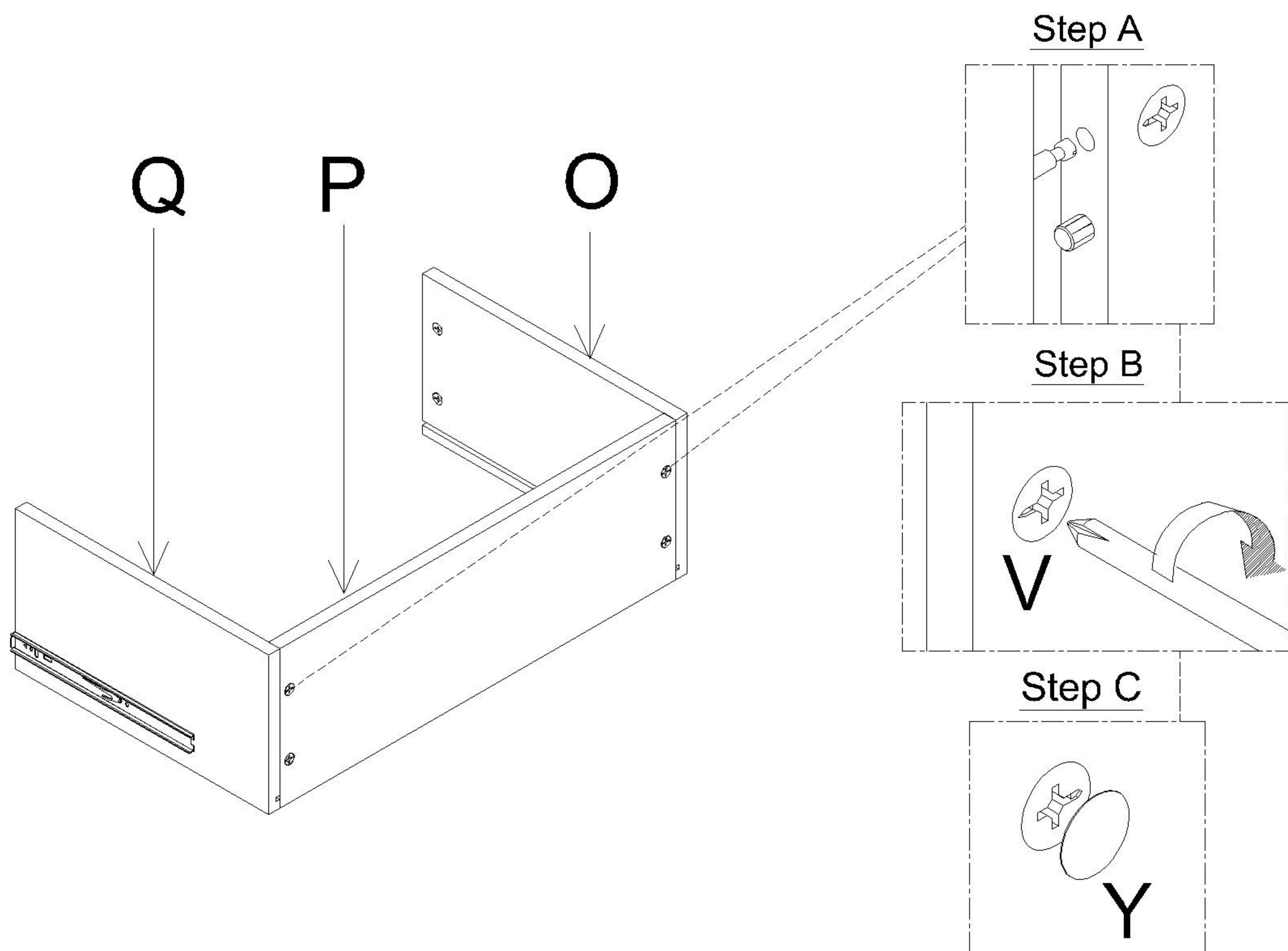
**21** Flip over Left & Right Big Drawer Side (O & Q). Insert Dowel (X) to Left & Right Big Drawer Side (O & Q) and Big Drawer Back (P). Insert Cam Lock (V) to Left & Right Big Drawer Side (O & Q) and Big Drawer Back (P). Insert Cam Bolt (W) to Left & Right Big Drawer Side (O & Q) and Big Drawer Front (N).

NOTE : - Make sure arrows on each Cam Lock (V) points towards nearest edge with holes.



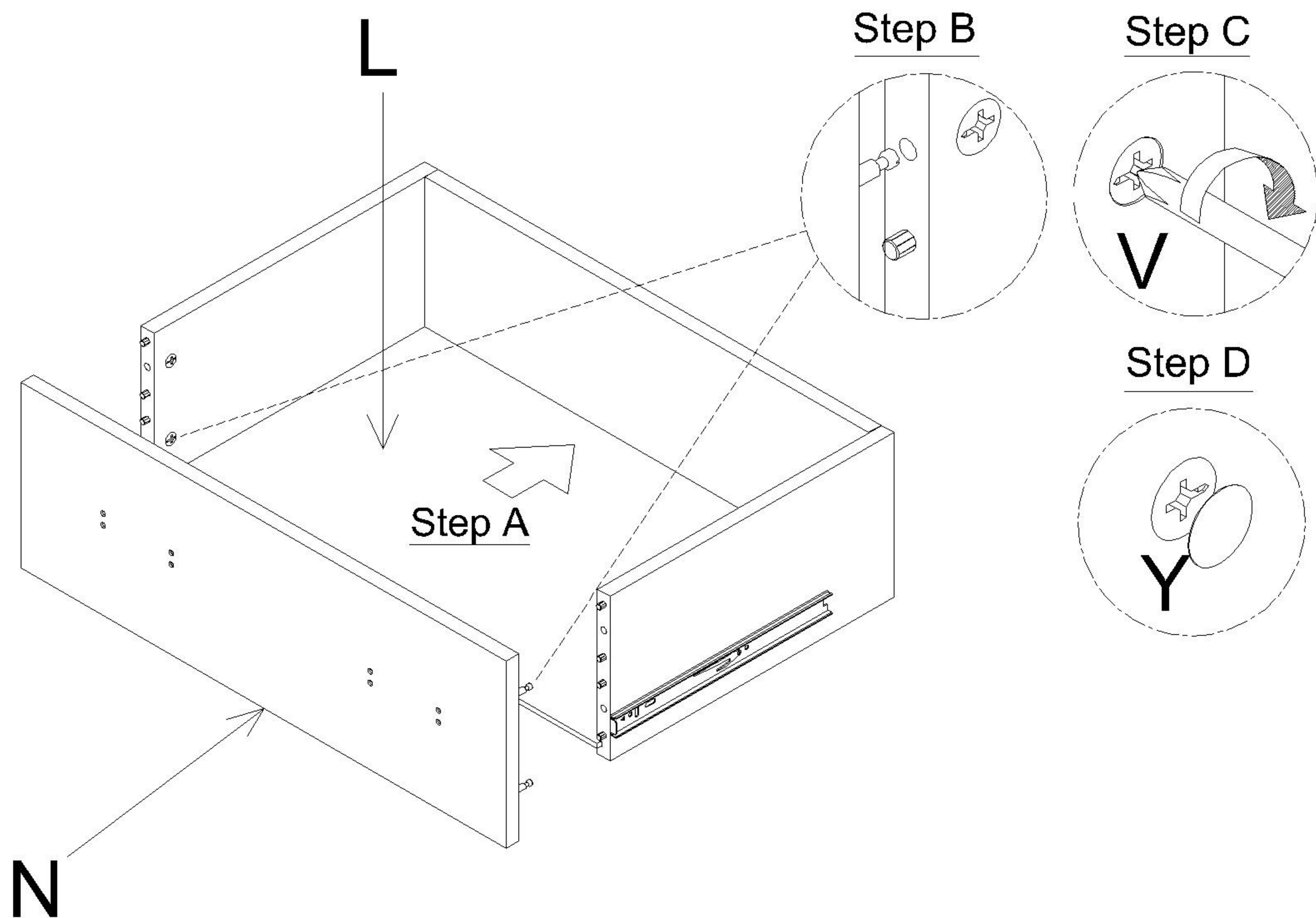
**22** Attach Left & Right Big Drawer Side (O & Q) to Big Drawer Back (P) and secure with Cam Lock (V). Cover Cam Lock (V) with Cam Lock Cover (Y).

NOTE : - Do not over tighten the Cam Lock (V).



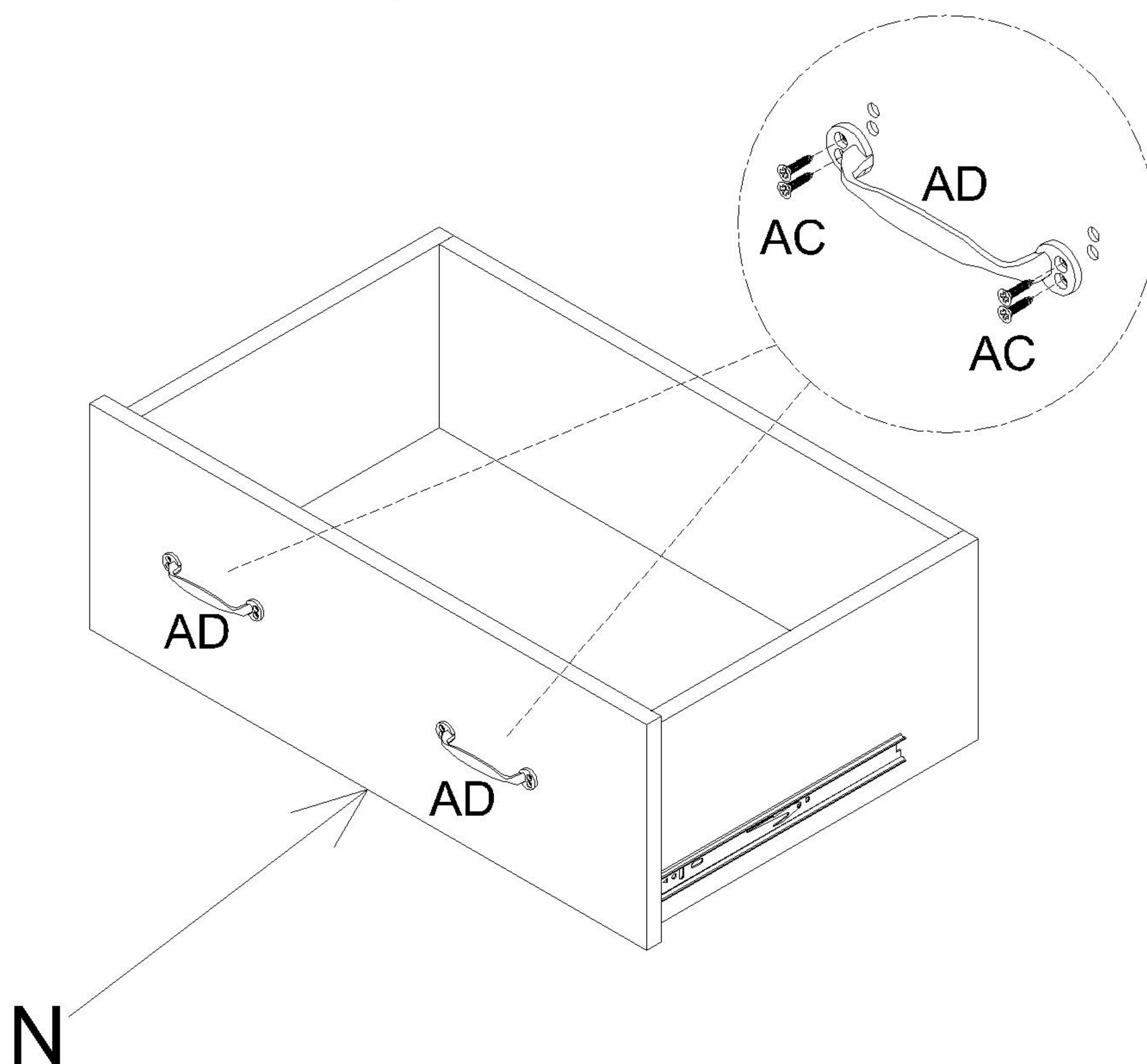
**23** Slot Drawer Base (L) into corresponding grooves. Attach Big Drawer Front (N) to Drawer Box and secure with Cam Lock (V). Cover Cam Lock (V) with Cam Lock Cover (Y).

NOTE : - Do not over tighten the Cam Lock (V).

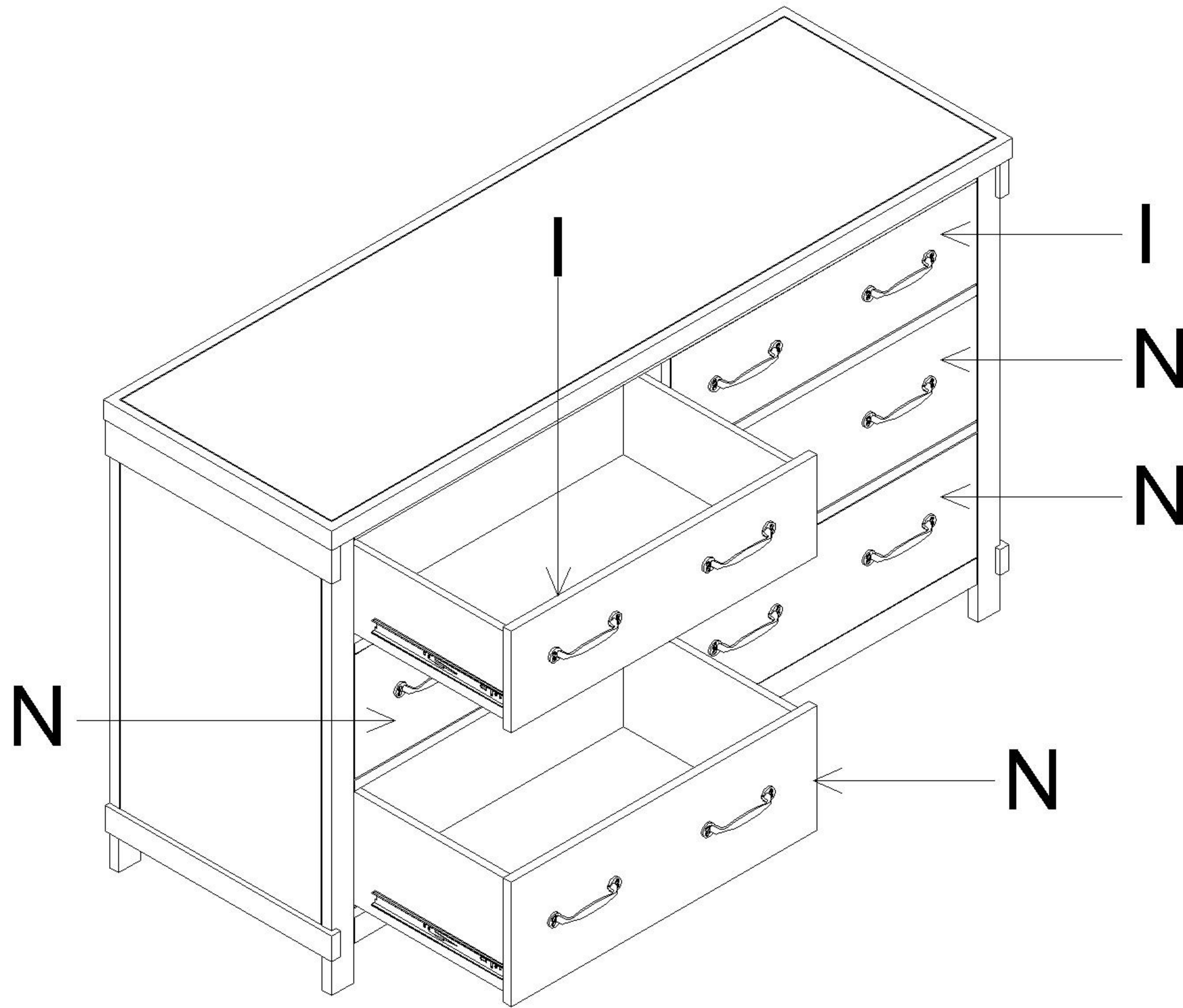


**24** Attach Handle (AD) to Big Drawer Front (N) and secure with Screw (AC).

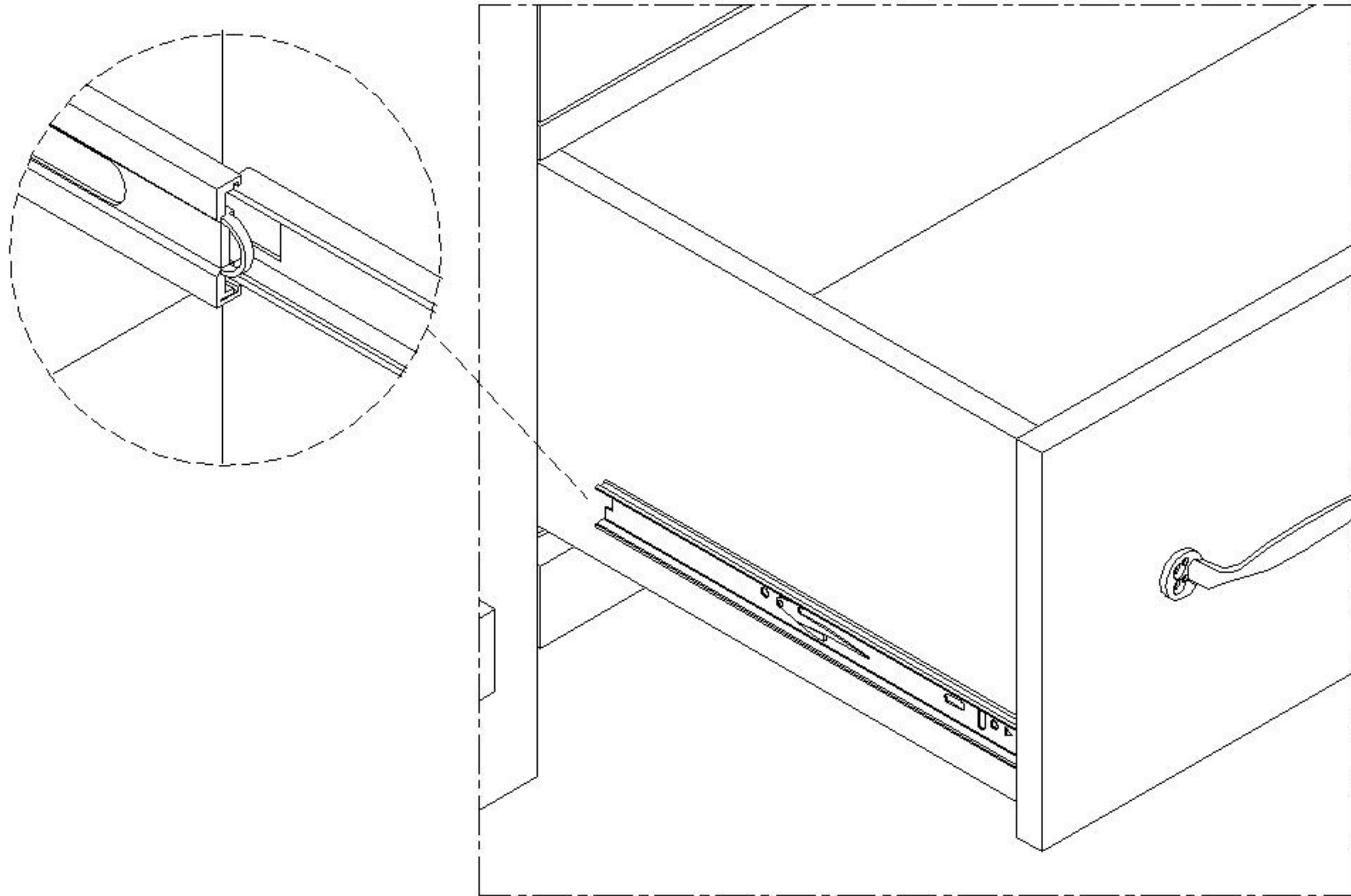
NOTE : - Do not over tighten the Screw (AC).



**25** Slot Drawers into assembled unit.



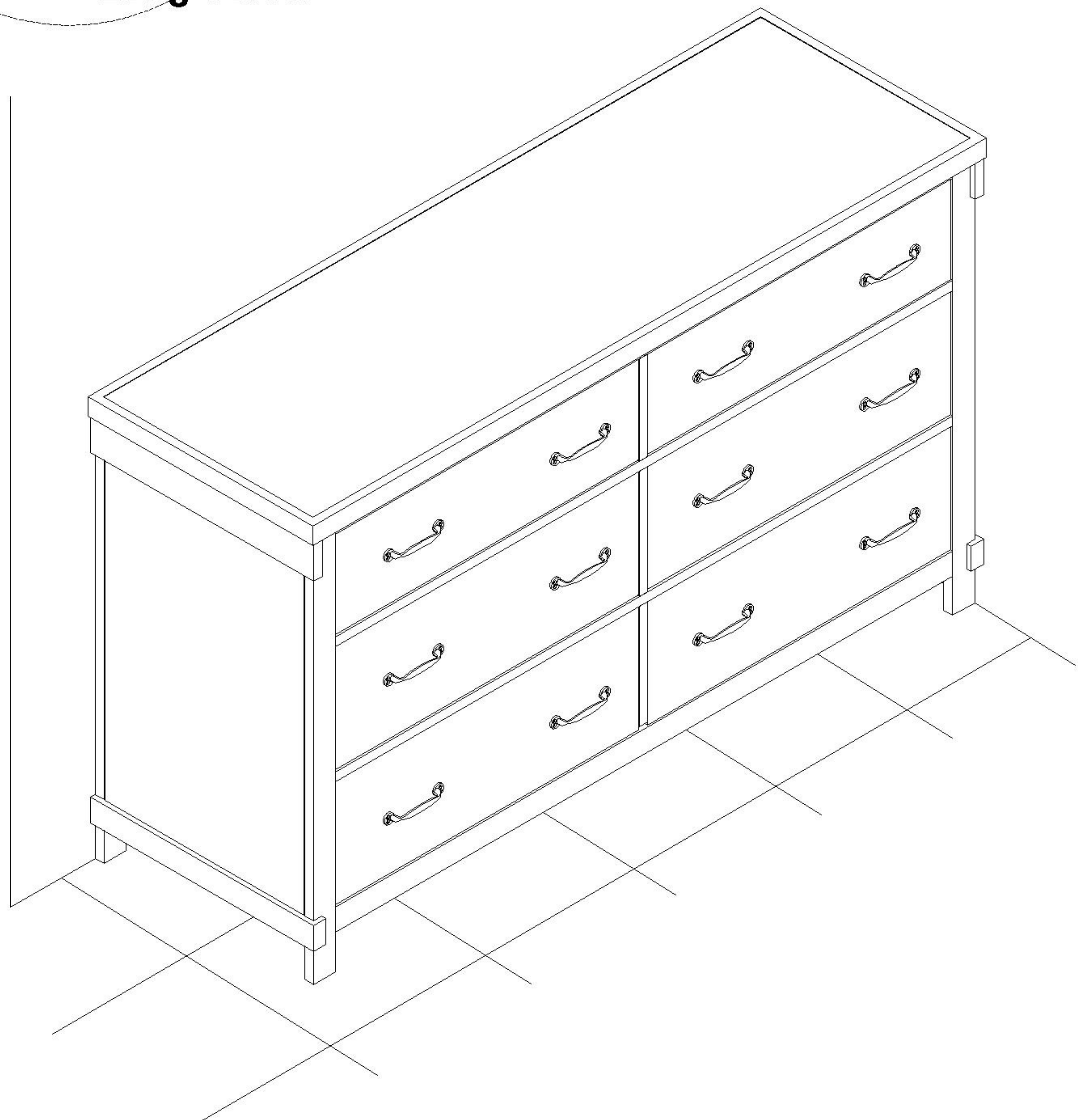
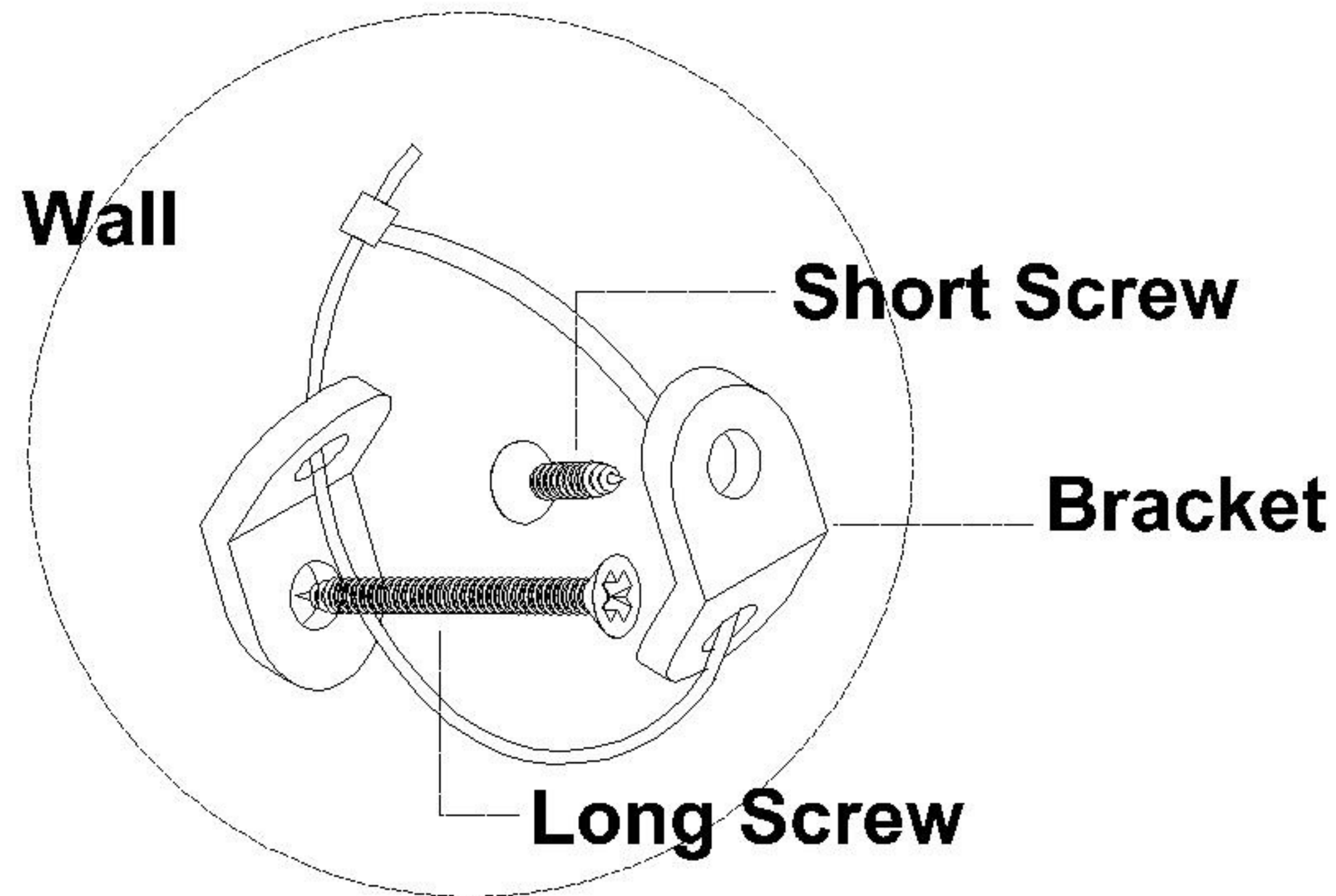
**EXTENSION RUNNER ASSEMBLE STEPS:**



**NOTE :** Align and pull/push the triggers on both sides of drawer box into the metal track on interior side of side panel.

**26**

Attach Anti-Tipping Kit (AE) to wall. Attach Bracket (vertically) to wall using the Long Screw provided. Attach Bracket (vertically) to furniture back (directly below top) with Short Screw. Place Bracket as close to center of furniture back as possible in relation to wall stud and the desired position in the room. Move furniture to its final position. Thread the strap through Bracket, and pull it tight.



### Cleaning & Care

Treat surface with care. Surface is resistant to scratches but is not scratch resistant. Clean surfaces with a dry or damp soft cloth. Do not use abrasive cleaners. Hardware may loosen over time. Periodically check that all connections are tight.